

Introduction

The MultiCare® Platinum Drape kit is used to prevent fluids from contaminating portions of the Biopsy Arm or the C-arm assembly. The kit is available in two configurations:

Stage Drape kit

- Needle Guidance Stage Drape
- Control Panel Cover

MultiCare Drape kit

- Needle Guidance Stage Drape
- Control Panel Cover
- Table Drape

This document describes the installation the drape kit and the control panel cover for the MultiCare Platinum system. Refer to the individual steps that apply to the covers you want to install.



WARNING

Be sure to discard the materials as you would any other potentially contaminated material.



Note

Change the drapes and the control panel cover after each patient.

1.1 Installing the Stage Drape

Install the stage drape before attaching a biopsy device.

1. Position the stage drape on the MultiCare system as shown in the following figure, with the white plastic-coated side facing down.
2. Position the slots in the rubber portion of the Stage Drape over the front Needle Guide holder and the biopsy device mount. (See the following figure, item 1.)
3. Feed the drape through the opening beneath the Compression Paddle window (item 2).
4. Secure it to the breast platform using the adhesive tabs of the drapes (item 3).
5. Wrap the separate protective cover over the paddle mount. (See the following figure, item 3.)

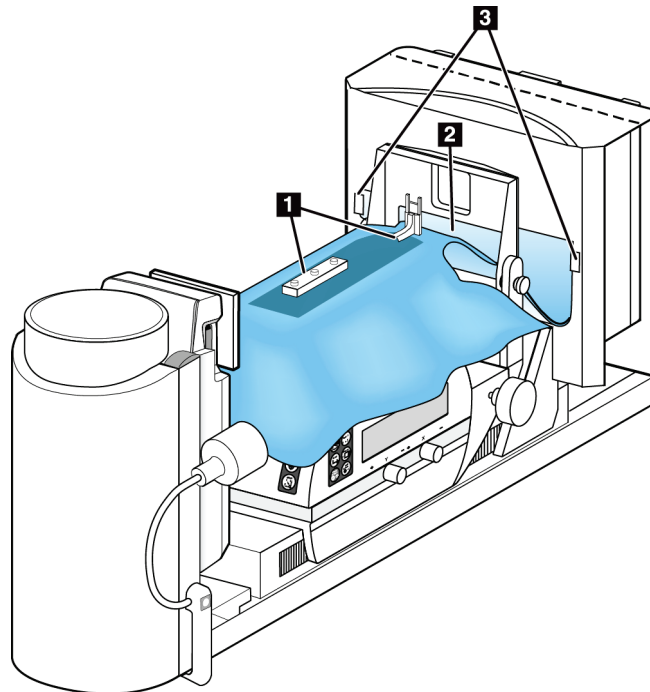


Figure 1: Stage Drape on MultiCare system



Note

To ease removal after use, separate the drape at the perforations identified by the label "TEAR AWAY AFTER USE", then remove one section at a time. (See the example in the previous figure, item 2.)

1.2 Installing the Control Panel Cover

Expand the cover and position it over the control panel as shown in the following figure.

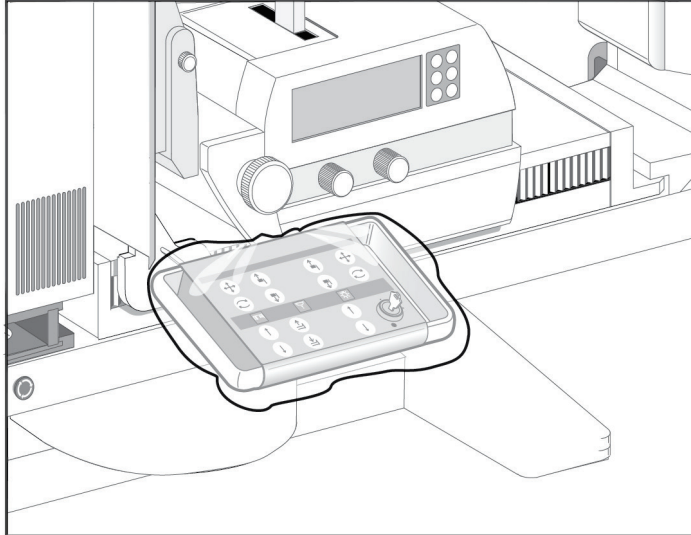


Figure 2: Protective cover for control panel

1.3 Installing the Table Drape

1. Place the table drape over the system table, with the adhesive tabs side of the drape facing down. (See the following figure.)
2. Align the hole in the table drape with the circular breast aperture in the table. (See the following figure.)
3. To help prevent the cover from shifting, secure the adhesive tabs at each end of the drape to the bottom of the table. (See the following figure.)

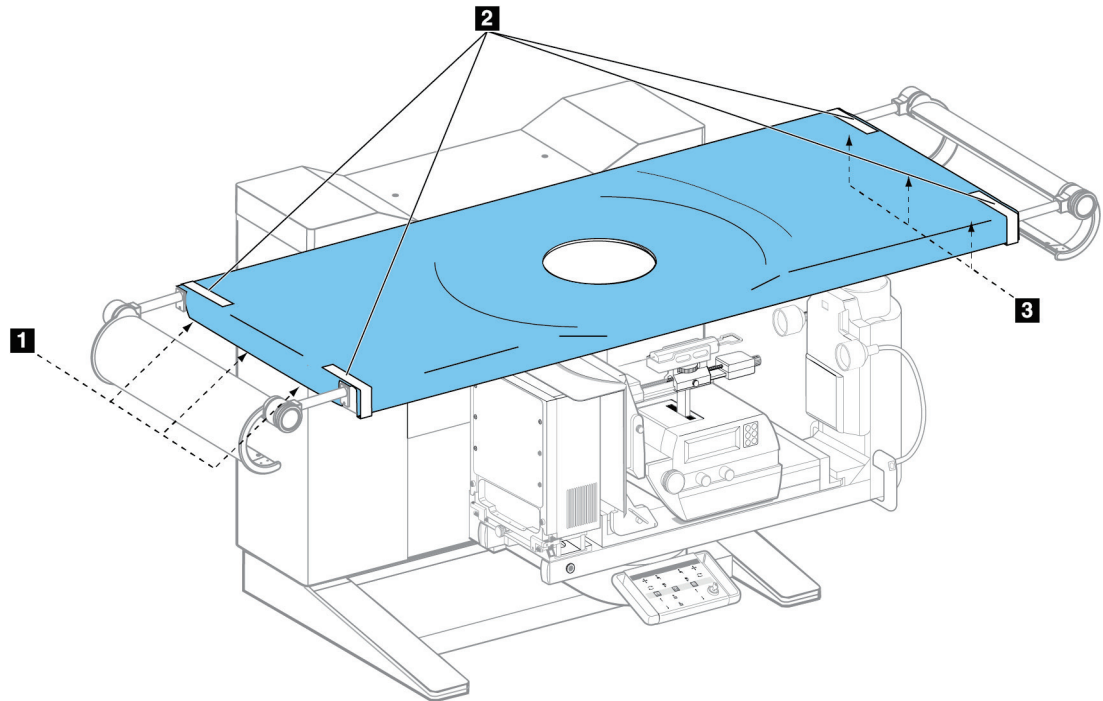


Figure 3: Hole in drape aligns with breast aperture of table.