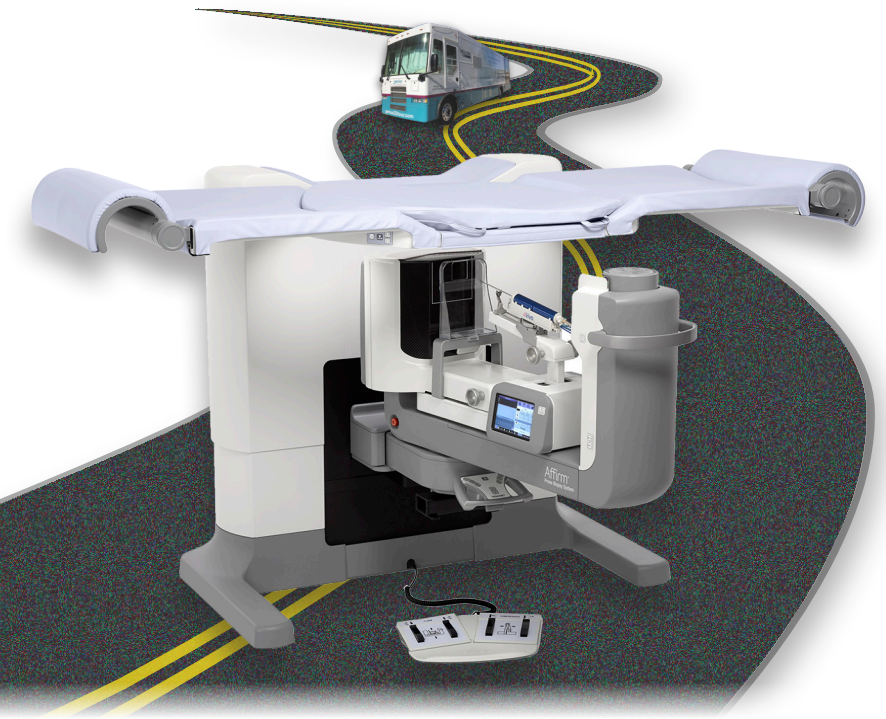
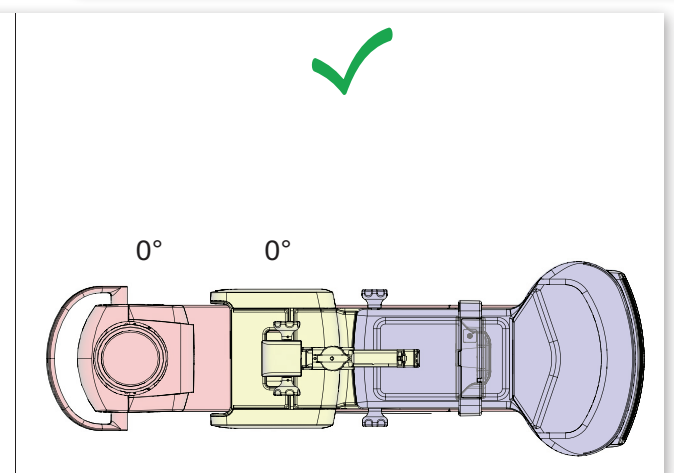
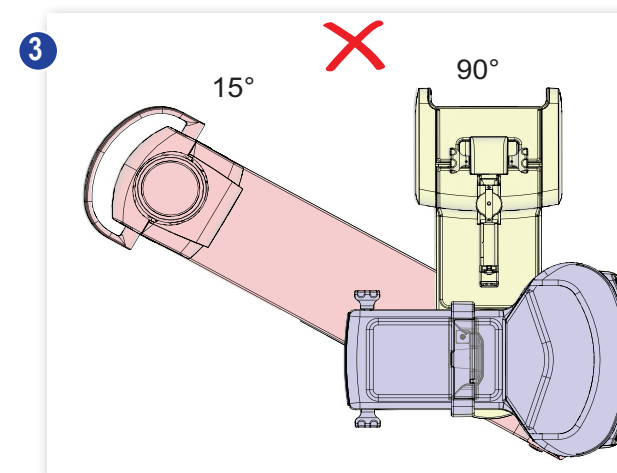
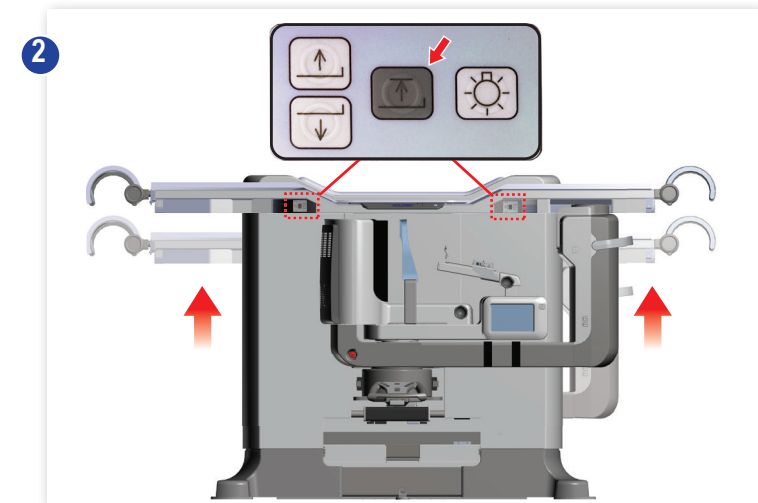
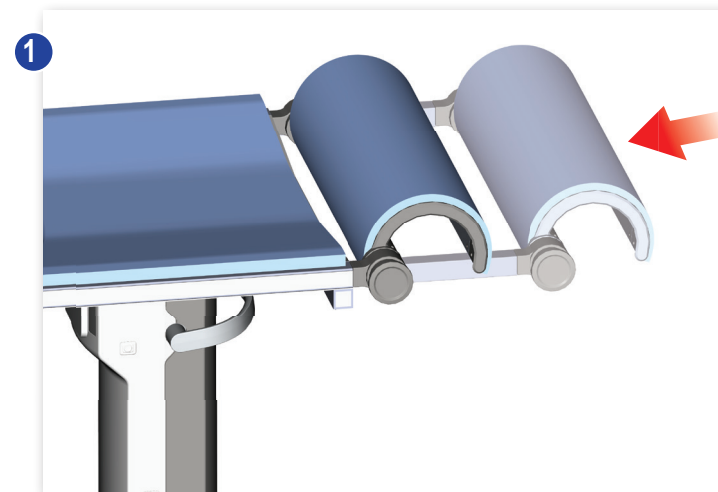


Affirm™

Prone Biopsy System
Mobile Transport
Quick Reference Guide



 Refer to the User Guide for safety information and complete user instructions.



Hologic Inc.
36 Apple Ridge Road
Danbury, CT 06810 USA
Tel: +1.800.447.1856

Brazilian Contact:
Imex Medical Group do Brasil
Rua das Embaúbas, 601- Fazenda Santo Antônio
São José /SC - Brasil - 88104-561
+55 48 3251-8800
www.imexmedicalgroup.com.br

HOLOGIC®

Refer to the corporate website for more facilities worldwide.
© 2017 - 2019 Hologic, Inc. Printed in USA. This manual was originally written in English.

Hologic, Affirm, and associated logos are trademarks and/or registered trademarks of Hologic, Inc., and/or its subsidiaries in the United States and/or other countries. All other trademarks, registered trademarks, and product names are the property of their respective owners.

This product may be protected by one or more U.S. or foreign patents as identified at www.Hologic.com/patents.

