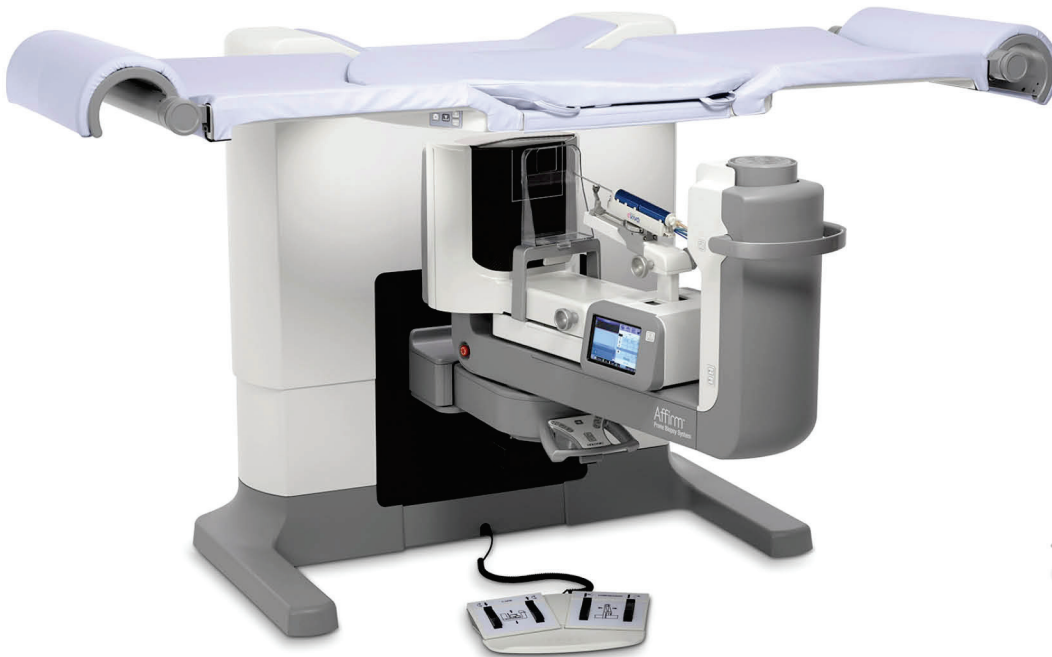


Affirm[®]

Prone Biopsy System



Parts List

MAN-05901 Revision 002

Affirm[®]

Prone Biopsy System

Parts List

Part Number MAN-05901

Revision 002

September 2019

Technical Support

USA: +1.877.371.4372

Asia: +852 37487700

Europe: +32 2 711 4690

Australia: +1 800 264 073

All Other: +1 781 999 7750

Email: BreastHealth.Support@hologic.com

© 2019 Hologic, Inc. Printed in the USA. This manual was originally written in English.

Hologic, Affirm, and associated logos are trademarks and/or registered trademarks of Hologic, Inc., and/or its subsidiaries in the United States and/or other countries. All other trademarks, registered trademarks, and product names are the property of their respective owners.

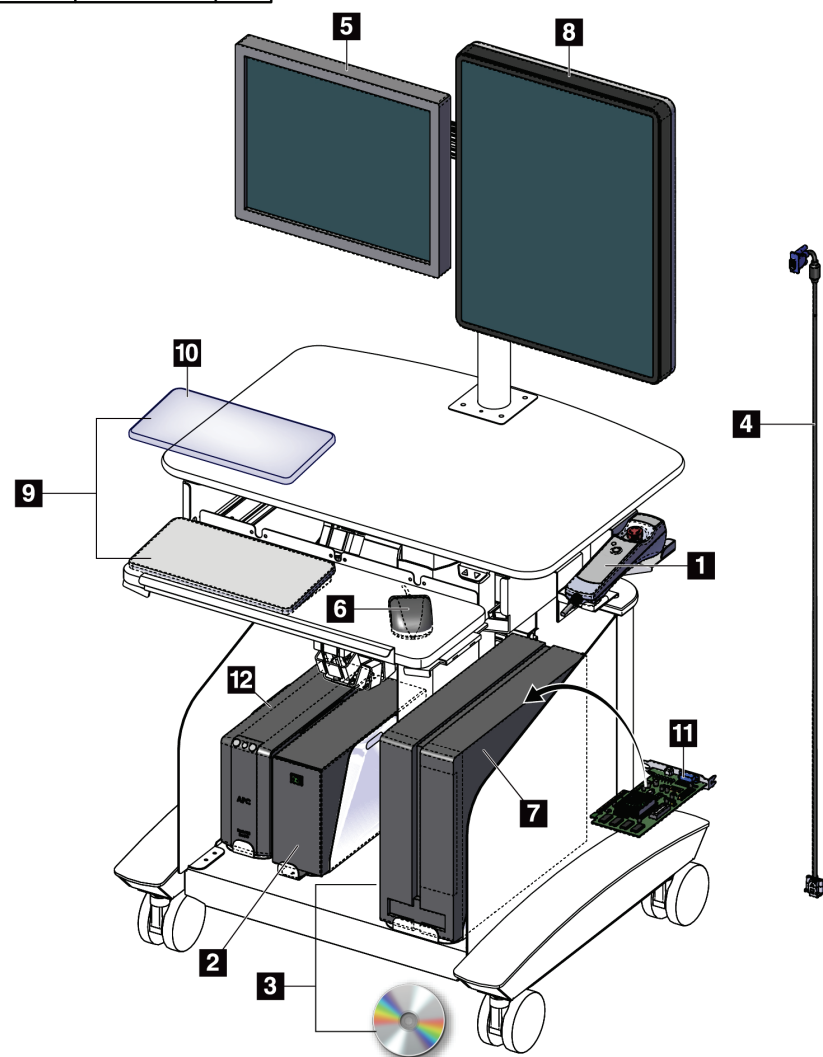
This product may be protected by one or more U.S. or foreign patents as identified at www.Hologic.com/patents.

HOLOGIC[®]

Workstation, Generator, and Gantry Parts Lists

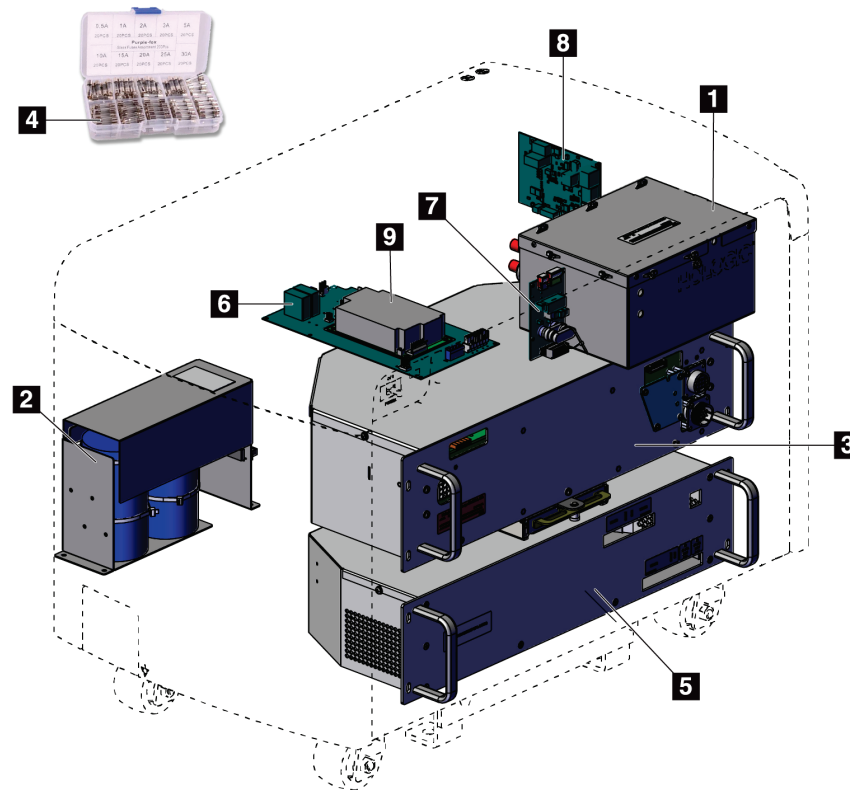
Callout #	Part #	Qty
1	ASY-09162	1
2	ASY-09400	1
3	ASY-11635	1
4	CBL-02238	1
5	CMP-00811	1
6	CMP-00819	1
7	CMP-01560	1
8	CMP-01270	1
9	MME-02464	1
10	MME-02465	1
11	PCB-01011	1
12	PWR-00246	1

Workstation



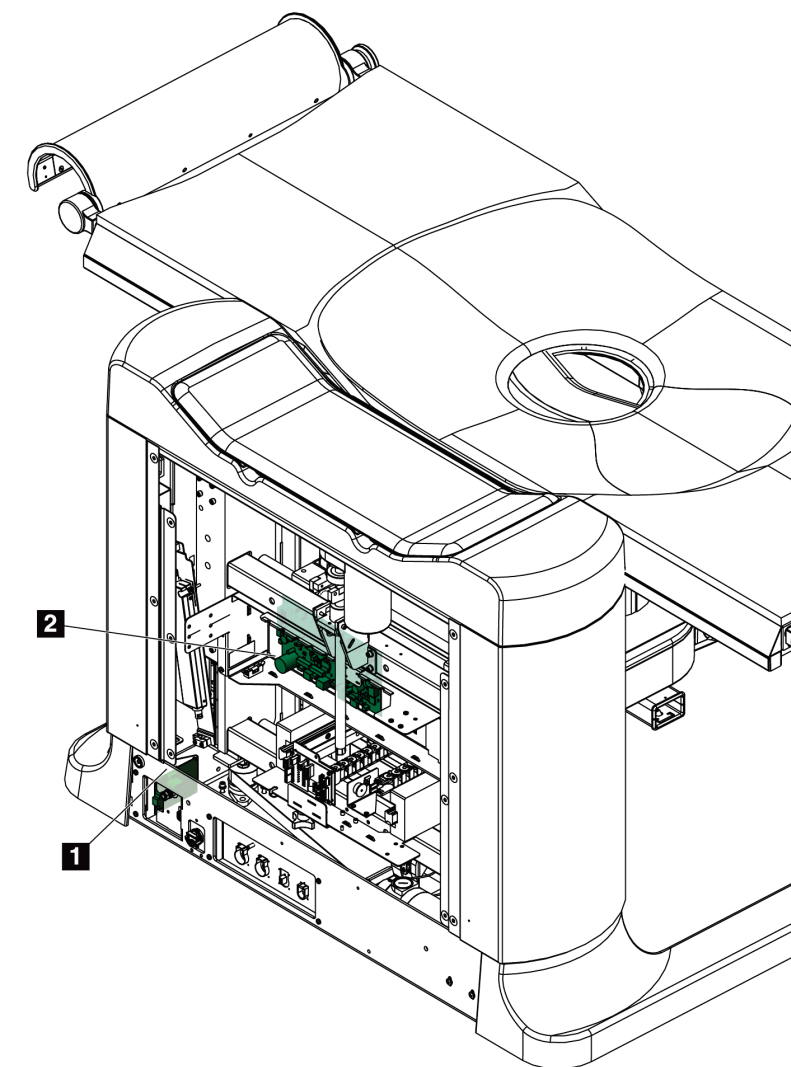
Callout	Part #	Qty
1	ASY-06980	1
2	ASY-06981	1
3	ASY-07006	1
4	ASY-08871	1
5	ASY-08936	1
6	PCB-00443	1
7	PCB-00709	1
8	PCB-00964	1
9	PWR-00200	1

Generator



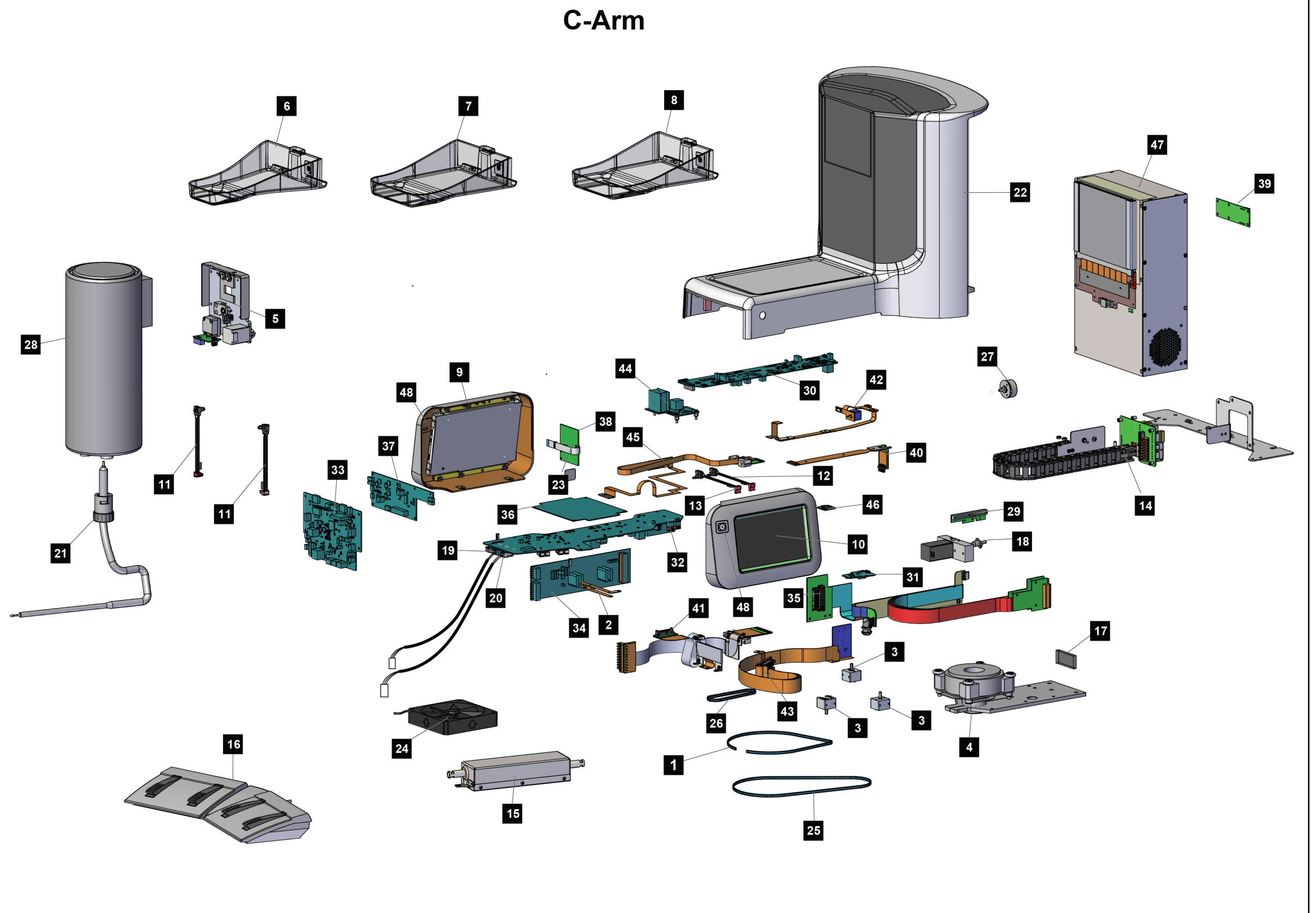
Callout	Part #	Qty
1	PCB-00174	1
2	PCB-00923	1

Gantry



C-Arm Parts List

Callout #	Part #	Qty
1	2-230-4001	1
2	ASY-04186	1
3	ASY-06533	3
4	ASY-07458	1
5	ASY-07569	1
6	ASY-08174	1
7	ASY-08175	1
8	ASY-08176	1
9	ASY-08642	1
10	ASY-08643	1
11	ASY-08956	2
12	ASY-08986	1
13	ASY-08987	1
14	ASY-09070	1
15	ASY-09072	1
16	ASY-09170	1
17	ASY-09689	1
18	ASY-09702	1
19	CBL-02006	2
20	CBL-02007	2
21	CBL-02397	1
22	FAB-10785	1
23	FAB-13473	1
24	FAN-00084	1
25	MME-02432	1
26	MME-02629	1
27	MTR-00088	1
28	OSC-00065	1
29	PCB-00186	1
30	PCB-00918	1
31	PCB-00944	1
32	PCB-00989	1
33	PCB-01005	1
34	PCB-01016	1
35	PCB-01032	1
36	PCB-01038	1
37	PCB-01056	1
38	PCB-01060	1
39	PCB-01078	1
40	PCB-01081	1
41	PCB-01099	1
42	PCB-01101	1
43	PCB-01118	1
44	PCB-01197	1
45	PCB-01281	1
46	PCB-01313	1
47	PRD-03756	1
48	SWC-00149	2



HOLOGIC®



Hologic Inc.
36 Apple Ridge Road
Danbury, CT 06810 USA
1 800 447 1856

Brazilian Contact: Imex Medical Group do Brasil
Rua das Embaúbas, 601- Fazenda Santo Antônio
São José /SC - Brasil - 88104-561
+55 48 3251-8800
www.imexmedicalgroup.com.br

Refer to the corporate website for more facilities worldwide.

www.hologic.com