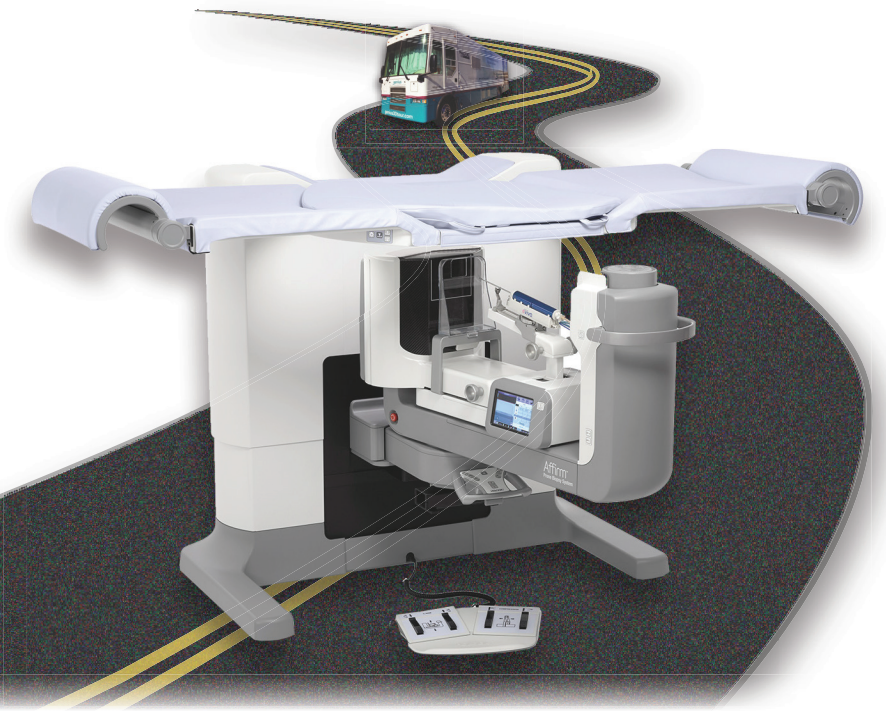
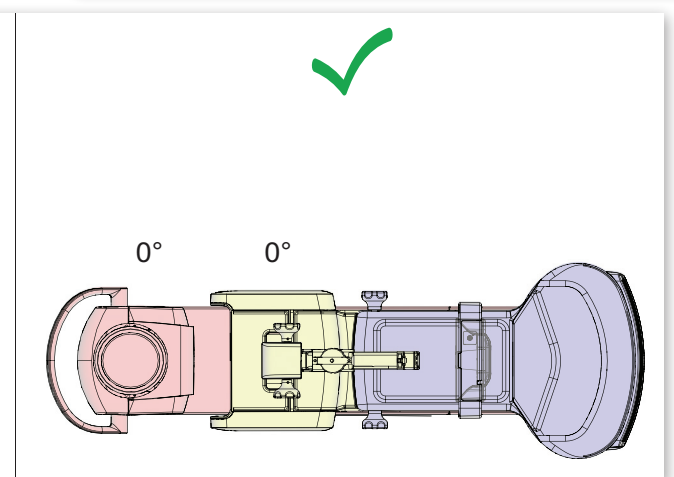
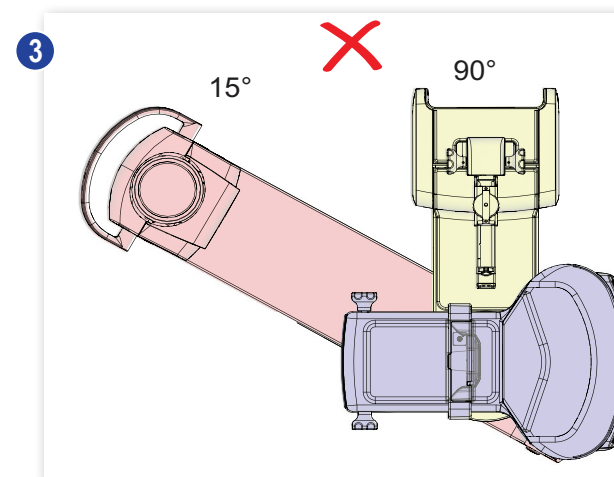
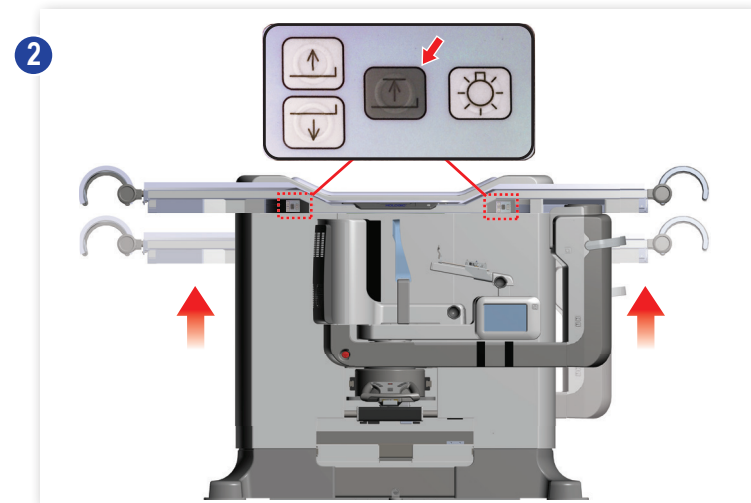
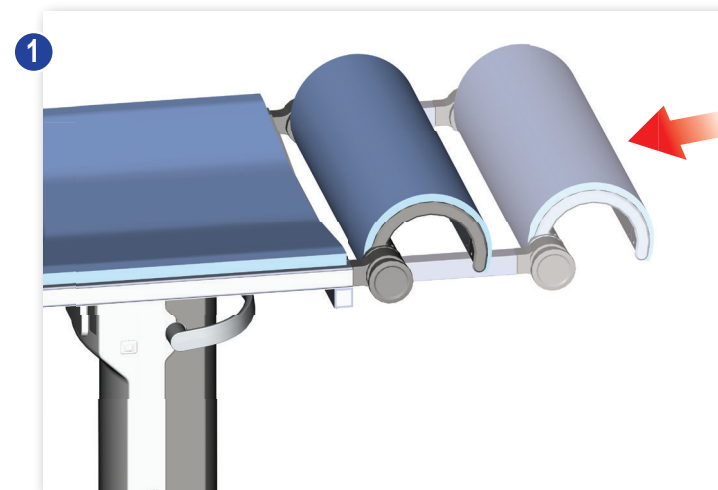


Affirm™

Prone Biopsy System
Mobile Transport
Quick Reference Guide



 Refer to the User Guide for safety information and complete user instructions.



Hologic, Inc.
600 Technology Drive
Newark, DE 19702 USA
Tel: +1.800.447.1856

Hologic (Australia) Pty Ltd.
Suite 402, Level 3
2 Lyon Park Road
Macquarie Park NSW 2113
Australia
+1.800.264.073

HOLOGIC®

Refer to the corporate website for more facilities worldwide.
© 2023 Hologic, Inc. Printed in USA. This manual was originally written in English.

Hologic, Affirm, and associated logos are trademarks and/or registered trademarks of Hologic, Inc., and/or its subsidiaries in the United States and/or other countries. All other trademarks, registered trademarks, and product names are the property of their respective owners.

This product may be protected by one or more U.S. or foreign patents as identified at www.Hologic.com/patents.

