

I n s t r u c t i o n s F o r U s e

ATEC[®] *TriMark*[®]

Biopsy Site Marker System

ATEC® TriMark® Biopsy Site Marker System Instructions for Use

Please read all information carefully. Failure to properly follow the instructions may lead to unanticipated surgical consequences.

Important: This package insert is designed to provide Instructions for Use of the ATEC® TriMark® biopsy site marker. It is not a reference to surgical techniques.

Upon completion of the ATEC breast biopsy procedure, the user will have the option of using the ATEC TriMark biopsy site marker system by Hologic, Inc. Depending on the type of application (imaging modality) used to guide the breast biopsy, the user will follow one of the outlined processes for use of the ATEC TriMark biopsy site marker system. The three imaging modalities used to guide deployment of the ATEC TriMark biopsy site marker system include ultrasound (U/S), stereotactic x-ray (STX), and magnetic resonance imaging (MRI). There are two deployment methods for the ATEC TriMark biopsy site marker system associated with U/S and STX; both are described separately.

Indications

(Product codes TriMarkTD 13-12, TriMarkTD-2S-13-12, TriMarkTD 13-09, TriMarkTD-2S-13-09, TriMarkTD 13-MR, TriMarkTD-2S-13-MR, TriMarkTD 36-12, TriMarkTD-2S-36-12, TriMarkTD 36-09 and TriMarkTD-2S-36-09.)

The ATEC TriMark biopsy site marker system is indicated for use to mark an open or percutaneous biopsy site to radiographically mark the location of the biopsy site.

Contraindications

None known.

Device Description

The ATEC TriMark biopsy site marker system is a sterile, single use system comprised of a titanium marker and a deployment device. The deployment device consists of a rigid cannula, plunger, rigid push rod and handle. The ATEC TriMark biopsy site marker is located at the distal end of the deployment device. The ATEC TriMark biopsy site marker system may be used with imaging guidance (e.g., stereotactic x-ray, ultrasound and MRI). The titanium marker is classified as magnetic resonance (MRI) conditional at 3.0 Tesla field strength or less. The marker, when present in a patient undergoing an MRI procedure at 3.0 Tesla or less, will not create an additional hazard or risk with respect to magnetic field-related interactions, movement/dislodgement, or heating.

Safety information for MRI procedures should be performed according to the following guidelines:

MRI Artifacts

Artifacts for the ATEC TriMark biopsy site marker have been characterized using a 1.5 Tesla MRI system and T1-weighted, spin echo and gradient echo pulse sequences. Based on this information, imaging quality may be slightly compromised if the area of interest is in the exact same area as the ATEC TriMark biopsy site marker.

Artifact size is dependent on the type of pulse sequence used for imaging (larger for gradient echo pulse sequences and smaller for spin echo and fast spin echo pulse sequences), the direction of the frequency encoding direction (larger if the frequency encoding direction is perpendicular to the device and smaller if it is parallel to the device), and the size of the field of view. Positional errors and artifacts on images will be smaller for MRI systems with lower static magnetic field strengths using the same imaging parameters as those operating at higher static magnetic field strengths.

Compatibility

U/S			
Approach	Hand Piece Gauge	Biopsy Site Access	ATEC TriMark Device
Non Introducer Method	9G	NA	TriMark TD 13-09
		NA	TriMark TD-2S-13-09
	12G	NA	TriMark TD 13-12
		NA	TriMark TD-2S-13-12
ATEC Outer Cannula Introducer Method	9G	ATEC 0909-20 Outer Cannula	TriMark TD 13-09
		ATEC 0909-12 Outer Cannula	TriMark TD-2S-13-09
		ATEC 0912-20 Outer Cannula	
		ATEC 0912-12 Outer Cannula	
	12G	ATEC 1209-20 Outer Cannula	TriMark TD 13-12
		ATEC 1212-20 Outer Cannula	TriMark TD-2S-13-12
STX			
Approach	Hand Piece Gauge	Biopsy Site Access	ATEC TriMark Device
ATEC Outer Cannula Introducer Method	9G	ATEC 0909-20 Outer Cannula	TriMark TD 13-09
		ATEC 0909-12 Outer Cannula	
		ATEC 0912-20 Outer Cannula	TriMark TD-2S-13-09
		ATEC 0912-12 Outer Cannula	
12G	ATEC 1209-20 Outer Cannula	TriMark TD 13-12	
	ATEC 1212-20 Outer Cannula	TriMark TD-2S-13-12	
ATEC Handpiece Introducer Method	9G	ATEC 0909-20 Handpiece	TriMark TD 36-09
		ATEC 0912-20 Handpiece	TriMark TD-2S-36-09
		ATEC 0912-12 Handpiece	
		ATEC 0914-20 Handpiece	
	12G	ATEC 1209-20 Handpiece	TriMark TD 36-12
		ATEC 1212-20 Handpiece	TriMark TS-2S-36-12
MRI			
Approach	Hand Piece Gauge	Biopsy Site Access	ATEC TriMark Device
ATEC Introducer Sheath Method	9G	ILS 0914-20	TriMark TD 13-MR
		ILS 0914-20-OB	TriMark TD-2S-13-MR
		ILS 0914-12	
		ILS 0914-12-OB	

Ultrasound Application

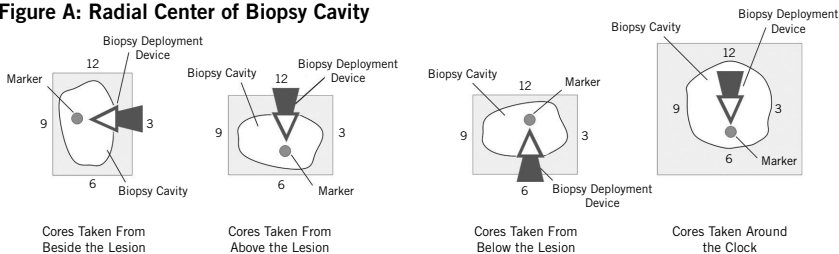
Non Introducer Method (13-12 and 13-09 only)

1. Prior to use of the ATEC TriMark biopsy site marker system, inspect the protective packaging and device to verify that neither has been damaged during shipment. If it appears that the packaging has been compromised, do not use the device.
2. Carefully remove the ATEC TriMark biopsy site marker system from its protective packaging using sterile technique.

Note: Remove tip protector prior to use of the device.

3. Turn or activate the console to “Set Up” or “Lavage” mode.
4. Lavage the biopsy cavity thoroughly before insertion of the deployment device.
5. Disconnect the saline line at the proximal end of the Y-Valve.
6. Turn or activate the console to “Biopsy” mode.
7. Remove the handpiece from the breast and properly dispose.
8. Place the distal end of the deployment device into the needle tract that was created by the outer cannula.
9. Carefully advance the deployment device to the desired marker deployment location.
10. Locate the white directional arrow on the aperture indicator. This shows the orientation of the marker aperture and the direction the marker will deploy.
11. Rotate the aperture indicator so the white arrow is pointing towards the radial center of the biopsy cavity. (Figure A)
12. Deploy the marker towards the center of the biopsy cavity by advancing the deployment plunger with your thumb until it latches onto the aperture indicator.
13. After the audible and tactile click, release your thumb from the white plunger.
14. Rotate the aperture indicator 180 degrees.
15. Verify the deployment and proper position of the marker prior to removal of the device.
16. Slowly remove the deployment device from the breast and properly dispose.

Figure A: Radial Center of Biopsy Cavity



Ultrasound Application

ATEC Outer Cannula Introducer Method (13-12 and 13-09 only)

1. Prior to use of the ATEC TriMark biopsy site marker system, inspect the protective packaging and device to verify that neither has been damaged during shipment. If it appears that the packaging has been compromised, do not use the device.
2. Carefully remove the ATEC TriMark biopsy site marker system from its protective packaging using sterile technique.

Note: Remove tip protector prior to use of the device.

3. Turn or activate the console to “Set Up” or “Lavage” mode.
4. Lavage the biopsy cavity thoroughly before insertion of the deployment device.
5. Disconnect the saline line at the proximal end of the Y-Valve and strip the line up to the hub.
6. While holding the hub firmly in one hand, rotate the handpiece 1/8 of a turn counter-clockwise and pull-back to separate it from the outer cannula.
7. Pull back the hub 7mm for 20mm aperture devices or 3mm for 12mm aperture devices. This will position the system to deploy the marker in the axial center of the biopsy cavity. (Figure C)
8. Rotate the hub so the white dot indicating needle aperture position is pointing towards the radial center of the biopsy cavity. (Figure A)
9. Place the distal end of the deployment device into the outer cannula through the hub.
10. Carefully advance the deployment device until it reaches a definitive stop at the distal tip of the outer cannula. Make sure this position is maintained throughout the deployment of the marker by holding it in place with your off hand.
11. Locate the white directional arrow on the aperture indicator and line it up with the white dot of the hub. This shows the orientation of the marker aperture and the direction the marker will deploy.
12. Deploy the marker towards the center of the biopsy cavity by advancing the deployment plunger with your thumb until it latches onto the aperture indicator.
13. After the audible and tactile click, release your thumb from the white plunger.
14. Rotate the aperture indicator 180 degrees.
15. Rotate the hub 180 degrees.
16. Verify the deployment and proper position of the marker prior to removal of the device.
17. Slowly remove the deployment device and outer cannula/hub as one unit from the breast and properly dispose.

Figure B: ATEC TriMark Description

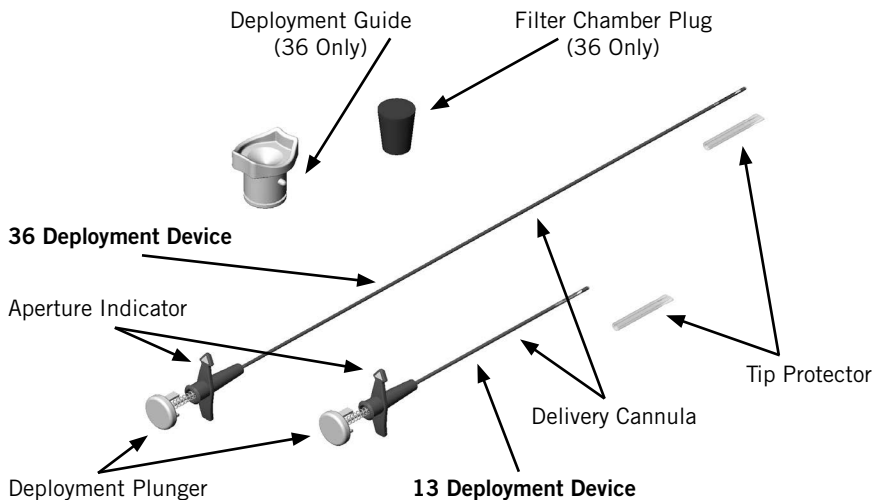
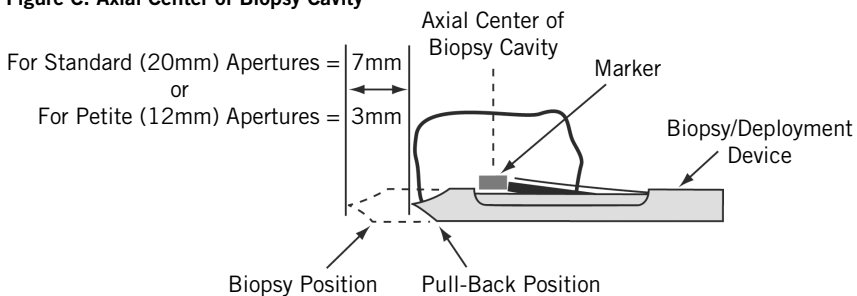


Figure C: Axial Center of Biopsy Cavity



Stereotactic Application

ATEC Outer Cannula Introducer Method (13-12 and 13-09 only)

1. Prior to use of the ATEC TriMark biopsy site marker system, inspect the protective packaging and device to verify that neither has been damaged during shipment. If it appears that the packaging has been compromised, do not use the device.
2. Carefully remove the ATEC TriMark biopsy site marker system from its protective packaging using sterile technique.

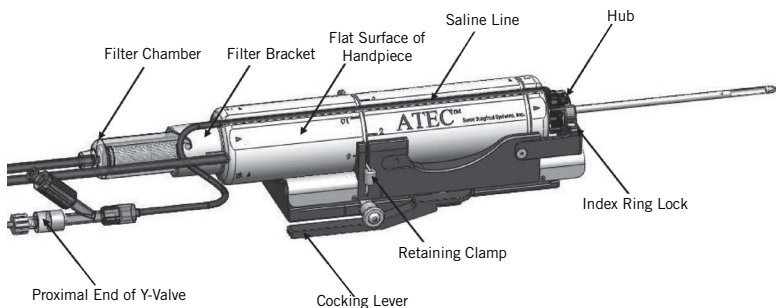
Note: Remove tip protector prior to use of the device.

3. Turn or activate the console to “Set Up” or “Lavage” mode.
4. Lavage the biopsy cavity thoroughly before insertion of the deployment device.
5. Pull back the adapter 7mm for 20mm aperture devices or 3mm for 12mm aperture devices. This will position the system to deploy the marker in the axial center of the biopsy cavity. (Figure C)
6. Rotate the handpiece so the flat surface is pointing towards 12 o'clock.
7. Disconnect the saline line at the proximal end of the Y-Valve and strip the line up to the hub.
8. Rotate the handpiece so the flat surface is pointing towards the radial center of the biopsy cavity. The flat surface shows where the needle aperture is pointing. (Figure A)
9. Engage one index ring lock to hold the hub in place. (Figure D)
10. Rotate the handpiece 1/8 of a turn counter-clockwise.
11. Unlock the retaining clamp, and pull the handpiece back to separate it from the hub. (Figure D)
12. Place the distal end of the deployment device into the outer cannula through the hub.
13. Carefully advance the deployment device until it reaches a definitive stop at the distal tip of the outer cannula. Make sure this position is maintained throughout the deployment of the marker by holding it in place with your off hand.
14. Locate the white directional arrow on the aperture indicator and line it up with the white dot of the hub. This shows the orientation of the marker aperture and the direction the marker will deploy.
15. Deploy the marker towards the center of the biopsy cavity by advancing the deployment plunger with your thumb until it latches onto the aperture indicator.
16. After the audible and tactile click, release your thumb from the white plunger.
17. Disengage the index ring lock.
18. Rotate the aperture indicator 180 degrees.
19. Rotate the hub 180 degrees.
20. Engage one index ring lock to hold the hub in place.

Stereotactic Application (Continued)

21. Initial pull-back of deployment device and outer cannula/hub should be controlled by slowly moving the adapter back 20mm.
22. Verify the deployment and proper position of the marker prior to removal of the device.
23. Disengage the index ring lock.
24. Slowly remove the deployment device and outer cannula/hub as one unit from the breast and properly dispose.
25. Slowly decompress the breast.

Figure D: ATEC Handpiece & Stereotactic Adapter Descriptions



Stereotactic Application

ATEC Handpiece Introducer Method (36-12 and 36-09 only)

1. Prior to use of the ATEC TriMark biopsy site marker system, inspect the protective packaging and device to verify that neither has been damaged during shipment. If it appears that the packaging has been compromised, do not use the device.
2. Carefully remove the ATEC TriMark biopsy site marker system from its protective packaging using sterile technique.

Note: Remove tip protector prior to use of the device.

3. Turn or activate the console to “Set Up” or “Lavage” mode.
4. Lavage the biopsy cavity thoroughly before insertion of the deployment device.
5. Pull back the adapter 7mm for 20mm aperture devices or 3mm for 12mm aperture devices. This will position the system to deploy the marker in the axial center of the biopsy cavity. (Figure C)
6. Disconnect the saline line at the proximal end of the Y-Valve.

Stereotactic Application (Continued)

7. Remove the filter chamber from the proximal end of the handpiece.
8. Remove the tissue filter from the filter chamber and replace it with the filter chamber plug.
9. Remove deployment guide from the protective packaging.
10. Attach the deployment guide to the filter bracket of the handpiece.
11. Rotate the handpiece so the flat surface is pointing towards the radial center of the biopsy cavity. The flat surface shows where the needle aperture is pointing. (Figure A)
12. Engage one index ring lock to hold the handpiece in place. (Figure D)
13. Carefully advance the deployment device through the deployment guide until it reaches a definitive stop at the distal tip of the outer cannula. Make sure this engagement is maintained throughout the deployment of the marker by holding it in place with your off hand.
14. Locate the white directional arrow on the aperture indicator and line it up with the flat surface of the handpiece. This shows the orientation of the marker aperture and the direction the marker will deploy.
15. Deploy the marker towards the center of the biopsy cavity by advancing the deployment plunger with your thumb until it latches onto the aperture indicator.

Note: Following the insertion of the marker deployment device, the console should NOT be put back into "biopsy" mode.

16. After the audible and tactile click, release your thumb from the white plunger.
17. Disengage the index ring lock. (Figure D)
18. Rotate the aperture indicator 180 degrees.
19. Rotate the handpiece 180 degrees.
20. Initial pull-back of deployment device and handpiece should be controlled by slowly moving the adapter back 20mm.
21. Verify the deployment and proper position of the marker prior to removal of the device.
22. Unlock the retaining clamp. (Figure D)
23. Slowly remove the deployment device and handpiece as one unit from the breast and properly dispose.
24. Slowly decompress the breast.

MRI Application

ATEC Introducer Sheath Method (13-MR only)

1. Prior to use of the ATEC TriMark biopsy site marker system, inspect the protective packaging and device to verify that neither has been damaged during shipment. If it appears that the packaging has been compromised, do not use the device.
2. Carefully remove the ATEC TriMark biopsy site marker system from its protective packaging using sterile technique.

Note: Remove tip protector prior to use of the device.

3. Turn or activate the console to “Set Up” or “Lavage” mode.
4. Lavage the biopsy cavity thoroughly before insertion of the deployment device.
5. Disconnect the saline line at the proximal end of the Y-Valve.
6. Turn or activate the console to “Biopsy” mode.
7. Remove the handpiece from the Introducer Sheath and properly dispose.
8. Place the distal end of the deployment device through the Introducer Sheath.
9. Carefully advance the deployment device until the aperture indicator contacts the Introducer Sheath hub. Make sure this position is maintained throughout the deployment of the marker by holding it in place with your off hand.
10. Locate the white directional arrow on the aperture indicator. This shows the orientation of the marker aperture and the direction the marker will deploy.
11. Rotate the aperture indicator so the white arrow is pointing towards the radial center of the biopsy cavity. (Figure A)
12. Deploy the marker towards the center of the biopsy cavity by advancing the deployment plunger with your thumb until it latches onto the aperture indicator.
13. After the audible and tactile click, release your thumb from the white plunger.
14. Rotate the aperture indicator 180 degrees.
15. Slowly remove the deployment device from the breast and properly dispose.
16. Verify the deployment and proper position of the marker prior to removal of the Introducer Sheath.

Warnings and Precautions

- The ATEC TriMark deployment device is not recommended for use within the bore of an MRI magnet.
- The ATEC TriMark biopsy site marker system is not recommended for use in patients with breast implants.

Warnings and Precautions (Continued)

- The ATEC TriMark procedure should be performed only by physicians having adequate training and familiarity with this procedure. Consult medical literature relative to techniques, complications, and hazards prior to performance of any minimally invasive procedure.
- This device should be used only by physicians trained in open or percutaneous biopsy procedures.
- **Rx Only** Caution: Federal (USA) law restricts this device to sale by or on the order of a physician.
- The ATEC TriMark biopsy site marker should be deployed into the cavity created during the biopsy procedure. Deployment into tissue outside of the biopsy cavity is not recommended.
- If the deployment device is difficult to insert or remove from the biopsy device do not apply excessive force. Excessive force may cause damage or breakage of the deployment device which may result in a portion of the deployment device being left behind in the patient. If the deployment device cannot be easily removed from the biopsy device, remove the deployment device and the biopsy device as one unit.
- Marker position relative to established landmarks may change under mammography upon subsequent breast compressions.
- The ATEC TriMark biopsy site marker is not intended to be repositioned or recaptured after deployment.
- Excess hematoma within the biopsy cavity can lead to marker adhesion to the deployment device, increasing the risk of marker drag out.
- Care should be taken to avoid damaging the cannula. Avoid operator or instrument contact with the ATEC TriMark biopsy site marker or the distal end of the deployment device.
- The implanted ATEC TriMark biopsy site marker is magnetic resonance imaging (MRI) conditional. The implanted ATEC TriMark biopsy site marker presents no additional risk to patient or operator from magnetic forces, torque, heating, induced voltages, or movement, but it may affect MRI image quality.
- Minimally invasive instruments and accessories manufactured or distributed by companies not authorized by Hologic, Inc., may not be compatible with the ATEC TriMark biopsy site marker system. Use of such products may lead to unanticipated results and possible injury to the user or patient.
- Instruments or devices which come into contact with bodily fluids may require special disposal handling to prevent biological contamination.
- Following the insertion of the marker deployment device, the console should NOT be put into the "Biopsy" mode.
- Dispose of all opened instruments whether used or unused.
- Do not resterilize and/or reuse the ATEC TriMark biopsy site marker system. Resterilization and/or reuse may compromise the integrity of the instrument. This may lead to potential risks of failure of the device to perform as intended, and/or cross-contamination associated with using inadequately cleaned and sterilized devices.

Warnings and Precautions (Continued)

- If deployment guide is not used for 36-09 or 36-12 devices, damage may occur to the deployment device, resulting in device malfunction.

How Supplied

The ATEC TriMark biopsy site marker system is gamma sterilized and supplied preloaded for single patient use. Discard into an appropriate container after use.

As Identified on Labels:

QUANTITY

Number of Devices Enclosed.

YYYY-MM-DD

Expiration date is represented by the following:

YYYY represents the year

MM represents the month

DD represents the day

For More Information

For more information on the ATEC TriMark biopsy site marker system, U.S. and Canadian customers can contact the Hologic Customer Support at 1-877-887-8767 or CSupport@hologic.com.

International customers, please contact your local distributor.

Copyright © 2014 Hologic, Inc. Hologic, ATEC and TriMark are trademarks and/or registered trademarks of Hologic, Inc. in the United States and/or other countries.
All rights reserved.

Sistema de marcado de sitios de biopsia

ATEC® TriMark®

Instrucciones de uso

Lea toda la información detenidamente. En caso de no seguir las instrucciones correctamente, se podrían producir consecuencias quirúrgicas imprevistas.

Importante: Este paquete contiene instrucciones de uso del marcador de sitios de biopsia ATEC® TriMark®. No se trata de material de referencia de técnicas quirúrgicas.

Una vez finalizada la intervención de ATEC para la obtención de biopsias de mama, el usuario podrá elegir el sistema de marcado de sitios de biopsia ATEC TriMark diseñado por Hologic, Inc. En función del tipo de aplicación (modalidad de obtención de imágenes) utilizada para guiar la biopsia de mama, el usuario realizará uno de los procesos descritos para utilizar el sistema de marcado de sitios de biopsia ATEC TriMark. Las tres modalidades de obtención de imágenes utilizadas para guiar la colocación del sistema de marcado de sitios de biopsia ATEC TriMark son las siguientes: ecografía (U/S), radiografía estereotáctica (STX) e imágenes por resonancia magnética (IRM). Existen dos métodos de colocación del sistema de marcado de sitios de biopsia ATEC TriMark asociados a U/S y STX; ambos se describen por separado.

Indicaciones

(Códigos de producto TriMarkTD 13-12, TriMarkTD-2S-13-12, TriMarkTD 13-09, TriMarkTD-2S-13-09, TriMarkTD 13-MR, TriMarkTD-2S-13-MR, TriMarkTD 36-12, TriMarkTD-2S-36-12, TriMarkTD 36-09 y TriMarkTD-2S-36-09).

El sistema de marcado de sitios de biopsia ATEC TriMark está indicado para marcar un sitio de biopsia percutánea con el fin de marcar radiográficamente la ubicación del sitio de la biopsia.

Contraindicaciones

Ninguna conocida.

Descripción del Dispositivo

El marcador de sitios de biopsia ATEC TriMark es un sistema para su uso en un único paciente, compuesto por un marcador de titanio y un dispositivo de colocación. El dispositivo de colocación está formado por una cánula rígida, un émbolo, una varilla de empuje rígida y un asa. El marcador ATEC TriMark se encuentra en el extremo distal del dispositivo de colocación. El sistema ATEC TriMark puede utilizarse en métodos de obtención de imágenes, como las radiografías estereotácticas, las ecografías o las IRM. El marcador de titanio se basa en imágenes por resonancia magnética (IRM) con una intensidad de campo de 3,0 teslas o menos. El marcador, cuando se utilice en un paciente sometido a un procedimiento de IRM de 3,0 teslas o menos, no supondrá ningún riesgo en lo que se refiere a interacciones con el campo magnético, a movimiento/descolocación o a calentamiento.

La información de seguridad para los procedimientos de IRM debe seguir las siguientes directrices:

Artefactos en IRM

Se han descrito artefactos en el marcador de sitios de biopsia ATEC TriMark al utilizar un sistema de IRM de 1,5 teslas y secuencias de impulsos de eco del gradiente y eco del espín potenciadas en T1. Por ello, la calidad de imagen puede empeorar ligeramente si la región de interés está exactamente en la misma zona que el marcador ATEC TriMark de sitios de biopsia.

El tamaño del artefacto depende del tipo de secuencia de impulsos utilizada (será mayor en las secuencias de impulsos de eco del gradiente y menor en las secuencias de impulso de eco del espín y eco del espín rápido), de la dirección de la codificación de frecuencia (será mayor si la dirección es perpendicular al dispositivo y menor si es paralela), así como del tamaño del campo visual. Los errores de posición y los artefactos de las imágenes serán menores en los sistemas de IRM con intensidades más bajas de campo magnético estático que utilicen los mismos parámetros de obtención de imágenes que aquéllos con intensidades más altas de campo magnético estático.

Compatibilidad

U/S			
Método de abordaje	Calibrador de mano	Acceso al sitio biopsia	Dispositivo TriMark™ de ATEC
Abordaje sin introductor	9G	No procede	TriMark TD 13-09
		No procede	TriMark TD-2S-13-09
	12G	No procede	TriMark TD 13-12
No procede		TriMark TD-2S-13-12	
Abordaje mediante un introductor constituido por una cánula externa de ATEC®	9G	Cánula externa ATEC 0909-20	TriMark TD 13-09
		Cánula externa ATEC 0909-12	
		Cánula externa ATEC 0912-20	TriMark TD 13-12
		Cánula externa ATEC 0912-12	
	12G	Cánula externa ATEC 1209-20	TriMark TD 13-12
		Cánula externa ATEC 1212-20	TriMark TD-2S-13-12
STX			
Método de abordaje	Calibrador de mano	Acceso al sitio biopsia	Dispositivo TriMark™ de ATEC
Abordaje mediante un introductor constituido por una cánula externa de ATEC®	9G	Cánula externa ATEC 0909-20	TriMark TD 13-09
		Cánula externa ATEC 0909-12	TriMark TD-2S-13-09
		Cánula externa ATEC 0912-20	
		Cánula externa ATEC 0912-12	
	12G	Cánula externa ATEC 0909-20	TriMark TD 13-12
Cánula externa ATEC 0912-20		TriMark TD-2S-13-12	
Abordaje mediante un introductor constituido por una pieza de mano ATEC®	9G	Pieza de mano ATEC 0909-20	TriMark TD 36-09
		Pieza de mano ATEC 0909-12	
		Pieza de mano ATEC 0912-20	
		Pieza de mano ATEC 0912-12	
	12G	Pieza de mano ATEC 0914-20	TriMark TD 36-12
		Pieza de mano ATEC 1209-20	
		Pieza de mano ATEC 1212-20	
MRI			
Método de abordaje	Calibrador de mano	Acceso al sitio biopsia	Dispositivo TriMark™ de ATEC
ATEC Introducer Sheath Method	9G	ILS 0914-20	TriMark TD 13-MR
		ILS 0914-20-OB	
		ILS 0914-12	
		ILS 0914-12-OB	

Aplicación ECO

Abordaje Sin Introductor (13-12 y 13-09 solamente)

1. Antes de utilizar el marcador de sitios de biopsia ATEC TriMark, revise el dispositivo y el paquete de protección para comprobar que no se ha dañado durante el envío. Si parece que el envase ha sufrido daños, no utilice el dispositivo.
2. Extraiga con cuidado el marcador ATEC TriMark de su paquete de protección mediante una técnica aséptica.

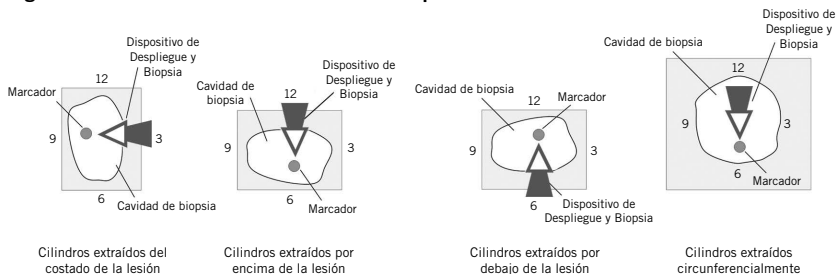
Nota: retire el protector del extremo antes de utilizar el dispositivo.

3. Encienda o active la consola en modo de preparación o de lavado.
4. Lave minuciosamente la cavidad de la biopsia antes de insertar el dispositivo de colocación.
5. Desconecte la vía de solución salina del extremo proximal de la válvula Y.
6. Encienda o active la consola en modo de biopsia.
7. Extraiga la pieza de mano de la mama y deséchela de forma adecuada.

Aplicación ECO (Continuación)

- Introduzca el extremo distal del dispositivo de colocación en la vía de la aguja creada por la cánula externa.
- Haga avanzar cuidadosamente el dispositivo de colocación hasta situarlo en la ubicación deseada para el marcador.
- Sítue la flecha blanca de dirección en el indicador de apertura. De esta forma, se indica la orientación de la apertura del marcador y la dirección en la que éste se colocará.
- Gire el indicador de apertura de tal manera que la flecha blanca apunte hacia el centro radial de la cavidad de la biopsia. (Figura A)
- Coloque el marcador orientado hacia el centro de la cavidad de la biopsia haciendo avanzar el émbolo de colocación con el pulgar hasta que encaje en el indicador de apertura.
- Cuando oiga y note un “clic”, retire el pulgar del émbolo blanco.
- Gire el indicador de apertura 180 grados.
- Compruebe la posición y la colocación del marcador antes de retirar el dispositivo.
- Extraiga lentamente el dispositivo de colocación de la mama y deséchelo de forma adecuada.

Figura A: Centro Radial de la Cavidad de Biopsia



Aplicación ECO

Abordaje Mediante un Introdutor Constituido por una Cánula Externa ATEC® (13-12 y 13-09 solamente)

1. Antes de utilizar el marcador de sitios de biopsia ATEC TriMark, revise el dispositivo y el paquete de protección para comprobar que no se ha dañado durante el envío. Si parece que el envase ha sufrido daños, no utilice el dispositivo.
2. Extraiga con cuidado el marcador ATEC TriMark de su paquete de protección mediante una técnica aséptica.

Nota: retire el protector del extremo antes de utilizar el dispositivo.

3. Encienda o active la consola en modo de preparación o de lavado.
4. Lave minuciosamente la cavidad de la biopsia antes de insertar el dispositivo de colocación.
5. Desconecte la vía de solución salina del extremo proximal de la válvula Y y retírela hasta el conector.
6. Sujetando firmemente el conector con una mano, gire la pieza de mano 1/8 de vuelta en dirección contraria a las agujas del reloj y tire de ella para separarla de la cánula externa.
7. Haga retroceder el conector 7 mm en los dispositivos de apertura de 20 mm, o 3 mm en los dispositivos de apertura de 12 mm. De esta forma, el sistema quedará dispuesto para colocar el marcador en el centro axial de la cavidad de la biopsia. (Figura C)
8. Gire el conector de tal manera que el punto blanco que indica la posición de la apertura de la aguja apunte hacia el centro radial de la cavidad de la biopsia. (Figura A)
9. Introduzca el extremo distal del dispositivo de colocación en la cánula externa a través del conector.
10. Haga avanzar con cuidado el dispositivo de colocación hasta que alcance un tope definitivo en el extremo distal de la cánula externa. Asegúrese de mantener esta posición durante todo el proceso de colocación del marcador, sujetándolo con su mano libre.
11. Sitúe la flecha blanca de dirección en el indicador de apertura y alinéela con el punto blanco del conector. De esta forma, se indica la orientación de la apertura del marcador y la dirección en la que éste se colocará.
12. Coloque el marcador orientado hacia el centro de la cavidad de la biopsia haciendo avanzar el émbolo de colocación con el pulgar hasta que encaje en el indicador de apertura.
13. Cuando oiga y note un "clic", retire el pulgar del émbolo blanco.
14. Gire el indicador de apertura 180 grados.
15. Gire el conector 180 grados.
16. Compruebe la posición y la colocación del marcador antes de retirar el dispositivo.
17. Extraiga lentamente el dispositivo de colocación y la cánula externa o el conector como si fuesen una sola unidad y deséchelos de forma adecuada.

Figura B: Descripciones del TriMark de ATEC

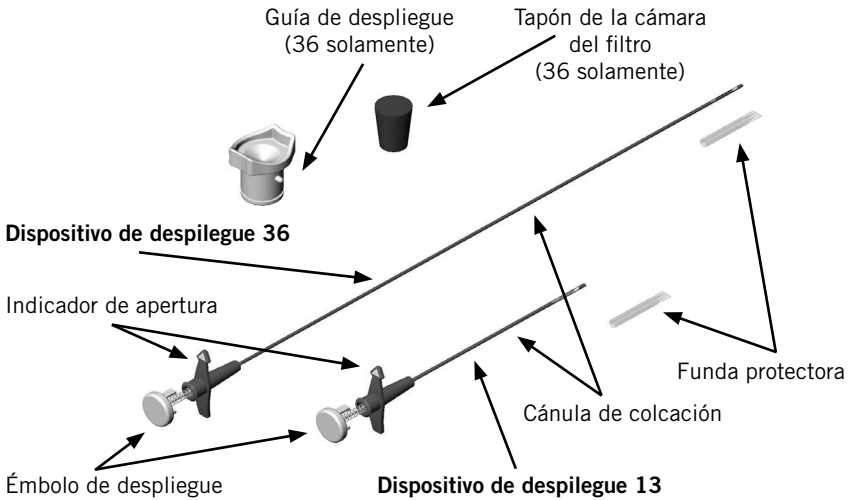
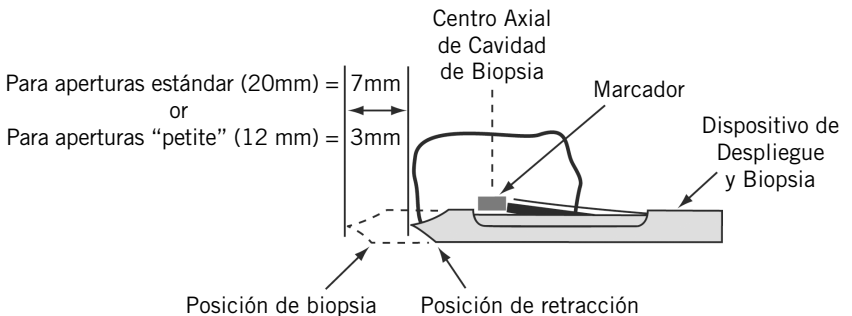


Figura C: Centro Axial de la Cavidad de Biopsia



Aplicación STX

Abordaje Mediante un Introdutor Constituido por una Cánula Externa ATEC® (13-12 y 13-09 solamente)

1. Antes de utilizar el marcador de sitios de biopsia ATEC TriMark, revise el dispositivo y el paquete de protección para comprobar que no se ha dañado durante el envío. Si parece que el envase ha sufrido daños, no utilice el dispositivo.
2. Extraiga con cuidado el marcador ATEC TriMark de su paquete de protección mediante una técnica aséptica.

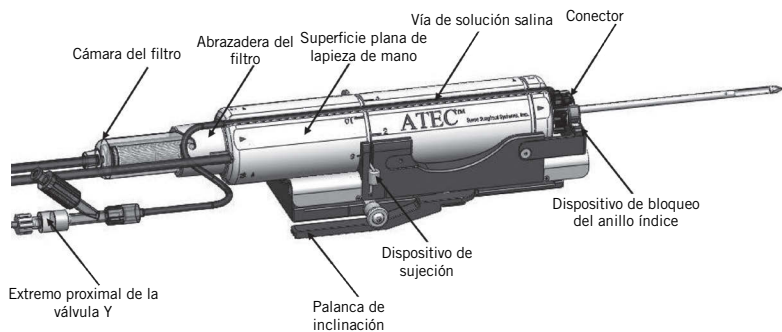
Nota: retire el protector del extremo antes de utilizar el dispositivo.

3. Encienda o active la consola en modo de preparación o de lavado.
4. Lave minuciosamente la cavidad de la biopsia antes de insertar el dispositivo de colocación.
5. Haga retroceder el adaptador 7 mm en los dispositivos de apertura de 20 mm, o 3 mm en los dispositivos de apertura de 12 mm. De esta forma, el sistema quedará dispuesto para colocar el marcador en el centro axial de la cavidad de la biopsia. (Figura C)
6. Gire la pieza de mano de tal manera que la superficie plana apunte hacia arriba.
7. Desconecte la vía de solución salina del extremo proximal de la válvula Y y retírela hasta el conector.
8. Gire la pieza de mano de tal modo que la superficie plana apunte hacia el centro radial de la cavidad de la biopsia. La superficie plana muestra hacia dónde apunta la apertura de la aguja. (Figura A)
9. Acople un dispositivo de bloqueo del anillo índice para mantener fijo el conector. (Figura D)
10. Gire la pieza de mano 1/8 de vuelta en dirección contraria a las agujas del reloj.
11. Desbloquee el dispositivo de sujeción y tire de la pieza de mano para separarla del conector. (Figura D)
12. Introduzca el extremo distal del dispositivo de colocación en la cánula externa a través del conector.
13. Haga avanzar con cuidado el dispositivo de colocación hasta que alcance un tope definitivo en el extremo distal de la cánula externa. Asegúrese de mantener esta posición durante todo el proceso de colocación del marcador, sujetándolo con su mano libre.
14. Sitúe la flecha blanca de dirección en el indicador de apertura y alinéela con el punto blanco del conector. De esta forma, se indica la orientación de la apertura del marcador y la dirección en la que éste se colocará.
15. Coloque el marcador orientado hacia el centro de la cavidad de la biopsia haciendo avanzar el émbolo de colocación con el pulgar hasta que encaje en el indicador de apertura.
16. Cuando oiga y note un “clic”, retire el pulgar del émbolo blanco.
17. Desacople el dispositivo de bloqueo del anillo índice.

Aplicación STX (Continuación)

18. Gire el indicador de apertura 180 grados.
19. Gire el conector 180 grados.
20. Acople un dispositivo de bloqueo del anillo índice para mantener fijo el conector.
21. La retracción inicial del dispositivo de colocación y de la cánula externa o el conector debe controlarse desplazando el adaptador lentamente 20 mm hacia atrás.
22. Compruebe la posición y la colocación del marcador antes de retirar el dispositivo.
23. Desacople el dispositivo de bloqueo del anillo índice.
24. Extraiga lentamente el dispositivo de colocación y la cánula externa o el conector como si fuesen una sola unidad y deséchelos de forma adecuada.
25. Descomprima lentamente la mama.

Figura D: Descripciones de la Pieza de Mano ATEC® y del Adaptador STX



Aplicación STX

Abordaje Mediante un Introdutor Constituido por una Pieza de Mano ATEC® (36-12 y 36-09 solamente)

1. Antes de utilizar el marcador de sitios de biopsia ATEC TriMark, revise el dispositivo y el paquete de protección para comprobar que no se ha dañado durante el envío. Si parece que el envase puede haber sufrido daños, no utilice el dispositivo.
2. Extraiga con cuidado el marcador ATEC TriMark de su paquete de protección mediante una técnica aséptica.

Nota: retire el protector del extremo antes de utilizar el dispositivo.

3. Encienda o active la consola en modo de preparación o de lavado.
4. Lave minuciosamente la cavidad de la biopsia antes de insertar el dispositivo de colocación.
5. Haga retroceder el adaptador 7 mm en los dispositivos de apertura de 20 mm, o 3 mm en los dispositivos de apertura de 12 mm. De esta forma, el sistema quedará dispuesto para colocar el marcador en el centro axial de la cavidad de la biopsia. (Figura C)
6. Desconecte la vía de solución salina del extremo proximal de la válvula Y.
7. Extraiga la cámara del filtro del extremo proximal de la pieza de mano.
8. Extraiga el filtro de tejidos de la cámara del filtro y sustitúyalo por el tapón de la cámara del filtro.
9. Extraiga la guía de colocación del paquete de protección.
10. Acople la guía de colocación a la abrazadera del filtro de la pieza de mano.
11. Gire la pieza de mano de tal modo que la superficie plana apunte hacia el centro radial de la cavidad de la biopsia. La superficie plana muestra hacia dónde apunta la apertura de la aguja. (Figura A)
12. Acople un dispositivo de bloqueo del anillo índice para mantener fija la pieza de mano. (Figura D)
13. Haga avanzar con cuidado el dispositivo de colocación con la guía de colocación hasta que alcance un tope definitivo en el extremo distal de la cánula externa. Asegúrese de mantener este acoplamiento durante todo el proceso de colocación del marcador, sujetándolo con su mano libre.
14. Sitúe la flecha blanca de dirección en el indicador de apertura y alinéela con la superficie plana de la pieza de mano. De esta forma, se indica la orientación de la apertura del marcador y la dirección en la que éste se colocará.
15. Coloque el marcador orientado hacia el centro de la cavidad de la biopsia haciendo avanzar el émbolo de colocación con el pulgar hasta que encaje en el indicador de apertura.

Nota: tras la inserción del dispositivo de colocación del marcador, la consola NO debe volver a ponerse en modo de biopsia.

16. Cuando oiga y note un “clic”, retire el pulgar del émbolo blanco.

Aplicación STX (Continuación)

17. Desacople el dispositivo de bloqueo del anillo índice. (Figura D)
18. Gire el indicador de apertura 180 grados.
19. Gire la pieza de mano 180 grados.
20. La retracción inicial del dispositivo de colocación y de la pieza de mano debe controlarse desplazando el adaptador lentamente 20 mm hacia atrás.
21. Compruebe la posición y la colocación del marcador antes de retirar el dispositivo.
22. Desbloquee el dispositivo de sujeción. (Figura D)
23. Extraiga lentamente el dispositivo de colocación y la pieza de mano como si fuesen una sola unidad y deséchelos de forma adecuada.
24. Descomprima lentamente la mama.

Aplicación RM

Abordaje Mediante una Vaina Introdutora ATEC® (13-MR solamente)

1. Antes de utilizar el marcador de sitios de biopsia ATEC TriMark, revise el dispositivo y el paquete de protección para comprobar que no se ha dañado durante el envío. Si parece que el envase puede haber sufrido daños, no utilice el dispositivo.
2. Extraiga con cuidado el marcador ATEC TriMark de su paquete de protección mediante una técnica aséptica.

Nota: retire el protector del extremo antes de utilizar el dispositivo.

3. Encienda o active la consola en modo de preparación o de lavado.
4. Lave minuciosamente la cavidad de la biopsia antes de insertar el dispositivo de colocación.
5. Desconecte la vía de solución salina del extremo proximal de la válvula Y.
6. Encienda o active la consola en modo de biopsia.
7. Extraiga la pieza de mano de la vaina de introducción y deséchela de forma adecuada.
8. Introduzca el extremo distal del dispositivo de colocación en dicha vaina.
9. Haga avanzar con cuidado el dispositivo de colocación hasta que el indicador de apertura entre en contacto con el conector de la vaina de introducción. Asegúrese de mantener esta posición durante todo el proceso de colocación del marcador, sujetándolo con su mano libre.
10. Sitúe la flecha blanca de dirección en el indicador de apertura. De esta forma, se indica la orientación de la apertura del marcador y la dirección en la que éste se colocará.

Aplicación RM (Continuación)

11. Gire el indicador de apertura de tal manera que la flecha blanca apunte hacia el centro radial de la cavidad de la biopsia. (Figura A)
12. Coloque el marcador orientado hacia el centro de la cavidad de la biopsia haciendo avanzar el émbolo de colocación con el pulgar hasta que encaje en el indicador de apertura.
13. Cuando oiga y note un "clic", retire el pulgar del émbolo blanco.
14. Gire el indicador de apertura 180 grados.
15. Extraiga lentamente el dispositivo de colocación de la mama y deséchelo de forma adecuada.
16. Compruebe la posición y la colocación del marcador antes de extraer la vaina de introducción.

Advertencias y Precauciones

- No se recomienda utilizar el dispositivo de colocación ATEC TriMark dentro del túnel magnético de IRM.
- No se recomienda utilizar el marcador de sitios de biopsias ATEC TriMark en pacientes con implantes mamarios.
- Sólo deben realizar el procedimiento de ATEC TriMark los médicos que lo conozcan bien y que cuenten con la formación adecuada. Consulte la documentación médica relativa a técnicas, complicaciones y riesgos antes de realizar cualquier procedimiento de intervención mínimamente invasivo.
- Sólo deben utilizar este dispositivo los médicos que cuenten con una formación adecuada en procedimientos de biopsias abiertas o percutáneas.
- **Rx Only** Precaución: las leyes federales de los Estados Unidos sólo permiten la venta de este dispositivo bajo prescripción facultativa.
- El marcador de sitios de biopsia ATEC TriMark debe colocarse en la cavidad creada durante la intervención para la obtención de la biopsia. No se recomienda colocarlo en tejido que se encuentre fuera de la cavidad de la biopsia.
- Si cuesta insertar o extraer el dispositivo de colocación, no aplique demasiada fuerza. Si se aplica una fuerza excesiva, podría dañarse o romperse el dispositivo de colocación, lo que podría ocasionar que parte del dispositivo se quede en el interior del paciente. Si el dispositivo de colocación no se puede extraer del dispositivo de biopsia con facilidad, retire ambos dispositivos como si se tratase de una sola unidad.
- La posición relativa del marcador con respecto a las marcas establecidas puede cambiar en una mamografía tras compresiones de pecho posteriores.
- El marcador de sitios de biopsias ATEC TriMark no está diseñado para volver a colocarse ni recuperarse después de la colocación.
- El exceso de hematoma en la cavidad de la biopsia puede provocar la adhesión del marcador al dispositivo de colocación, lo que aumenta el riesgo de que el marcador se descoloque.

Advertencias y Precauciones (Continuación)

- Debe prestarse especial cuidado para evitar que se dañe la cánula. Evite el contacto del instrumento o del operador con el marcador de sitios de biopsia ATEC TriMark o con el extremo distal del dispositivo de colocación.
- El marcador de sitios de biopsia ATEC TriMark implantado se basa en las imágenes por resonancia magnética (IRM). El marcador implantado no supone ningún riesgo adicional para el paciente o para el operador en cuanto a las fuerzas magnéticas, la torsión, el calentamiento, los voltajes inducidos o el movimiento, pero puede afectar a la calidad de las imágenes obtenidas mediante IRM.
- En algunas ocasiones, es posible que los accesorios e instrumentos mínimamente invasivos fabricados o distribuidos por empresas no autorizadas por Hologic, Inc. sean incompatibles con el sistema de marcado de sitios de biopsia ATEC TriMark. La utilización de estos productos puede provocar resultados imprevistos y posibles lesiones al usuario o paciente.
- Es posible que, cuando los instrumentos o dispositivos entren en contacto con fluidos corporales, sea necesario un procedimiento de desecho especial para evitar la contaminación biológica.
- Tras la inserción del dispositivo de colocación del marcador, la consola NO debe ponerse en el modo de biopsia.
- Deshágase de todos los instrumentos que se hayan abierto, estén utilizados o sin utilizar.
- No vuelva a esterilizar ni utilizar el sistema de marcado de sitios de biopsia ATEC TriMark. De lo contrario, se podría ver afectada la integridad del instrumento. Esto puede derivar en posibles riesgos de fallos en el funcionamiento del dispositivo o en una contaminación cruzada asociada al uso de dispositivos que no se han limpiado ni esterilizado adecuadamente.
- Si no se utiliza la guía de colocación en los dispositivos 36-09 o 36-12, podrían producirse daños en el dispositivo de colocación, lo que derivaría en errores de funcionamiento.

Modo de Suministro

El sistema de marcado de sitios de biopsia ATEC TriMark se suministra estéril y cargado previamente para su uso en un único paciente. Deséchelo en un contenedor apropiado después de su uso.

Las etiquetas muestran lo siguiente:



Número de dispositivos adjuntos.

YYYY-MM-DD

La fecha de caducidad se representa del siguiente modo:

YYYY representa el año

MM representa el mes

DD representa el día

Más Información

Para obtener más información acerca del sistema de marcado de sitios de biopsia ATEC TriMark, los clientes de EE. UU. y Canadá pueden ponerse en contacto con el departamento de atención al cliente de Hologic a través del teléfono 1-877-887-8767 o del correo electrónico CSupport@hologic.com.

Los clientes internacionales deberán ponerse en contacto con su distribuidor local.

Copyright © 2014 Hologic, Inc. Hologic, ATEC y TriMark son marcas comerciales registradas o marcas comerciales de Hologic, Inc. en Estados Unidos y en otros países. Reservados todos los derechos.

ATEC® TriMark®

Système de marquage de site de biopsie

Instructions d'utilisation

Veillez lire attentivement l'ensemble des informations. Le non-respect des instructions peut entraîner des conséquences chirurgicales non prévisibles.

Important : cette notice d'utilisation est destinée à fournir des instructions d'utilisation pour le marqueur de site de biopsie ATEC® TriMark®. Elle ne doit pas être utilisée comme document de référence pour les techniques chirurgicales.

À l'issue de la procédure de biopsie mammaire ATEC, l'utilisateur aura la possibilité d'utiliser le système de marquage de site de biopsie ATEC TriMark fabriqué par Hologic, Inc. Selon le type d'application (modalité d'imagerie) utilisé pour guider la biopsie mammaire, l'utilisateur suivra une des procédures indiquées pour utiliser le système de marquage de site de biopsie ATEC TriMark. Les trois modalités d'imagerie servant à guider le déploiement du système de marquage de site de biopsie ATEC TriMark comprennent l'échographie, la stéréotaxie et l'imagerie par résonance magnétique (IRM). Deux méthodes de déploiement du système de marquage de site de biopsie ATEC TriMark sont associées à l'échographie et à la stéréotaxie ; toutes deux sont décrites séparément.

Indications

(Codes TriMarkTD 13-12, TriMarkTD-2S-13-12, TriMarkTD 13-09, TriMarkTD-2S-13-09, TriMarkTD 13-MR, TriMarkTD-2S-13-MR, TriMarkTD 36-12, TriMarkTD-2S-36-12, TriMarkTD 36-09 et TriMarkTD-2S-36-09.)

Le système de marquage de site de biopsie ATEC TriMark est indiqué pour le marquage d'un site de biopsie ouverte ou percutanée en vue du marquage radiographique de l'emplacement du site de biopsie.

Contre-indications

Aucune connue.

Description du Dispositif

Le système de marquage de site de biopsie ATEC TriMark est un dispositif stérile à usage unique comprenant un marqueur en titane et un dispositif de déploiement. Le dispositif de déploiement comporte une canule rigide, un piston, une tige poussoir rigide et une poignée. Le marqueur de site de biopsie ATEC TriMark est situé sur l'extrémité distale du dispositif de déploiement. Le système de marquage de site de biopsie ATEC TriMark peut être utilisé sous guidage par imagerie (stéréotaxie, échographie et IRM, par exemple). Le marqueur en titane est classé pour la résonance magnétique (IRM) à une force de champ inférieure ou égale à 3 tesla. Lorsque le marqueur est placé chez une patiente soumise à une IRM à 3 tesla ou moins, aucun danger ni risque supplémentaire d'interaction, de mouvement/déplacement ou d'échauffement dû aux champs magnétiques n'est à craindre.

Les consignes de sécurité des examens d'IRM doivent être respectées conformément aux directives suivantes:

Artefacts en IRM

Les artefacts du marqueur de site de biopsie ATEC TriMark ont été caractérisés en utilisant un système d'IRM à 1,5 tesla et de pondération T1, des séquences d'impulsion avec écho de spin et avec écho de gradient. Selon ces informations, la qualité de l'imagerie risque d'être légèrement compromise si la région d'intérêt se trouve exactement au même endroit que le marqueur de site de biopsie ATEC TriMark.

La taille des artefacts dépend du type de séquence d'impulsion utilisé pour l'imagerie (plus grande pour les séquences d'impulsion avec écho de gradient et plus petite pour les séquences d'impulsion avec écho de spin classique et écho de spin rapide), de la direction du codage de fréquence (plus grande si la direction du codage de fréquence est perpendiculaire au dispositif et plus petite si elle est parallèle au dispositif) et de la taille du champ de vue. Avec les mêmes paramètres d'imagerie, les erreurs de positionnement et les artefacts sur les images seront moindres pour les systèmes d'IRM employant des forces de champ magnétique statique plus faibles que pour ceux employant des forces de champ magnétique statique plus élevées.

Compatibilité

U/S			
Approche	Calibre de la poignée	Accès au site de la biopsie	Dispositif ATEC TriMark™
Méthode sans introducteur	9G	S/O	TriMark TD 13-09
		S/O	TriMark TD-2S-13-09
	12G	S/O	TriMark TD 13-12
		S/O	TriMark TD-2S-13-12
Méthode avec introducteur de canule externe ATEC®	9G	Canule externe ATEC 0909-20	TriMark TD 13-09
		Canule externe ATEC 0909-12	
		Canule externe ATEC 0912-20	
		Canule externe ATEC 0912-12	
	12G	Canule externe ATEC 1209-20	TriMark TD 13-12
		Canule externe ATEC 1212-20	TriMark TD-2S-13-12
STX			
Approche	Calibre de la poignée	Accès au site de la biopsie	Dispositif ATEC TriMark™
Méthode avec introducteur de canule externe ATEC®	9G	Canule externe ATEC 0909-20	TriMark TD 13-09
		Canule externe ATEC 0909-12	
		Canule externe ATEC 0912-20	
		Canule externe ATEC 0912-12	
	12G	Canule externe ATEC 0909-20	TriMark TD 13-12
		Canule externe ATEC 0912-20	TriMark TD-2S-13-12
Méthode avec introducteur de pièce à main ATEC®	9G	Pièce à main ATEC 0909-20	TriMark TD 36-09
		Pièce à main ATEC 0909-12	
		Pièce à main ATEC 0912-20	
		Pièce à main ATEC 0912-12	
	12G	Pièce à main ATEC 0914-20	TriMark TD-2S-36-09
		Pièce à main ATEC 1209-20	
Pièce à main ATEC 1212-20	TriMark TD 36-12		
Pièce à main ATEC 1212-20	TriMark TS-2S-36-12		
MRI			
Approche	Calibre de la poignée	Accès au site de la biopsie	Dispositif ATEC TriMark™
Méthode avec introducteur	9G	ILS 0914-20 ILS 0914-20-OB	TriMark TD 13-MR TriMark TD-2S-13-MR
		ILS 0914-12 ILS 0914-12-OB	

Application avec L'échographie

Méthode sans Introducteur (13-12 et 13-09 uniquement)

1. Avant d'utiliser le système de marquage de site de biopsie ATEC TriMark, inspectez l'emballage de protection et le dispositif afin de vérifier qu'il n'a pas été endommagé pendant le transport. Si l'emballage est détérioré, n'utilisez pas le dispositif.
2. Sortez avec précaution le système de site de biopsie ATEC TriMark de son emballage de protection en utilisant une technique stérile.

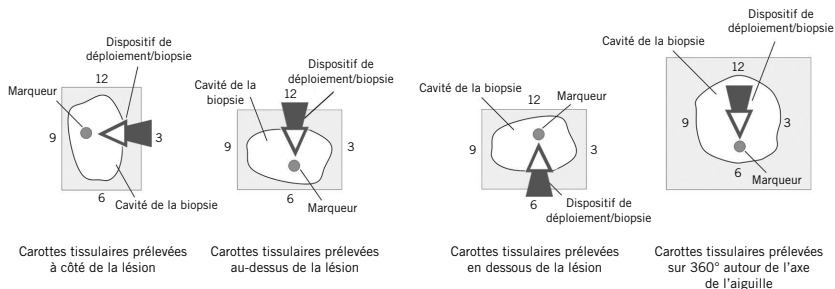
Remarque : retirez la protection de l'extrémité avant d'utiliser le dispositif.

3. Mettez la console en mode « Set Up » (Configuration) ou « Lavage » ou activez un de ces modes.
4. Lavez soigneusement la cavité de la biopsie avant d'insérer le dispositif de déploiement.
5. Détachez la conduite de sérum physiologique de l'extrémité proximale de la valve à tête inclinée.
6. Mettez la console en mode « Biopsy » (Biopsie) ou activez ce mode.

Application avec L'échographie (Suite)

- Retirez la pièce à main du sein et jetez-la conformément à la réglementation.
- Placez l'extrémité distale du dispositif de déploiement dans le trou d'aiguille créé par la canule externe.
- Avancez soigneusement le dispositif de déploiement jusqu'à l'emplacement souhaité pour déployer le marqueur.
- Localisez la flèche blanche sur l'indicateur d'ouverture. Elle indique l'orientation de l'ouverture et le sens de déploiement du marqueur.
- Tournez l'indicateur d'ouverture de sorte que la flèche blanche pointe vers le centre radial de la cavité de la biopsie (Figure A).
- Dépliez le marqueur vers le centre de la cavité de la biopsie en avançant le piston avec le pouce jusqu'à son verrouillage sur l'indicateur d'ouverture.
- Lorsque vous entendez et que vous sentez que le système est enclenché, lâchez le piston blanc.
- Faites tourner l'indicateur d'ouverture de 180 degrés.
- Vérifiez le déploiement et la position du marqueur avant de retirer le dispositif.
- Retirez lentement le dispositif de déploiement du sein et jetez-le conformément à la réglementation.

Figure A: Centre Radial de la Cavité de la Biopsie



Application avec l'échographie

Méthode avec introducteur de canule externe ATEC® (13-12 et 13-09 uniquement)

1. Avant d'utiliser le système de marquage de site de biopsie ATEC TriMark, inspectez l'emballage de protection et le dispositif afin de vérifier qu'il n'a pas été endommagé pendant le transport. Si l'emballage est détérioré, n'utilisez pas le dispositif.
2. Sortez avec précaution le système de site de biopsie ATEC TriMark de son emballage de protection en utilisant une technique stérile.

Remarque : retirez la protection de l'extrémité avant d'utiliser le dispositif.

3. Mettez la console en mode « Set Up » (Configuration) ou « Lavage » ou activez un de ces modes.
4. Lavez soigneusement la cavité de la biopsie avant d'insérer le dispositif de déploiement.
5. Détachez la conduite de sérum physiologique de l'extrémité proximale de la valve à tête inclinée et dénudez la conduite jusqu'à sa partie évasée.
6. Tout en maintenant la partie évasée d'une main ferme, faites tourner la pièce à main de 1/8 de tour dans le sens inverse des aiguilles d'une montre et tirez-la vers l'arrière pour la dégager de la canule externe.
7. Tirez la partie évasée vers l'arrière de 7 mm pour les dispositifs à ouverture de 20 mm ou de 3 mm pour les dispositifs à ouverture de 12 mm. Cela permet de mettre le système en place pour le déploiement du marqueur vers le centre axial de la cavité de la biopsie (Figure C).
8. Tournez la partie évasée de sorte que le point blanc indiquant l'emplacement du trou d'aiguille pointé vers le centre radial de la cavité de la biopsie (Figure A).
9. Passez l'extrémité distale du dispositif de déploiement dans la canule externe à travers la partie évasée.
10. Avancez le dispositif de déploiement avec précaution jusqu'à ce qu'il bute sur l'extrémité distale de la canule externe. Assurez-vous que cette position est maintenue pendant le déploiement du marqueur en la maintenant de votre main libre.
11. Localisez la flèche blanche sur l'indicateur d'ouverture et alignez-la sur le point blanc de la partie évasée. Elle indique l'orientation de l'ouverture et le sens de déploiement du marqueur.
12. Dépliez le marqueur vers le centre de la cavité de la biopsie en avançant le piston avec le pouce jusqu'à son verrouillage sur l'indicateur d'ouverture.
13. Lorsque vous entendez et que vous sentez que le système est enclenché, lâchez le piston blanc.
14. Faites tourner l'indicateur d'ouverture de 180 degrés.
15. Faites tourner la partie évasée de 180 degrés.
16. Vérifiez le déploiement et la position du marqueur avant de retirer le dispositif.
17. Retirez délicatement le dispositif de déploiement et la canule externe/partie évasée en bloc du sein et jetez-les conformément à la réglementation.

Figure B: Descriptions du Système ATEC TriMark

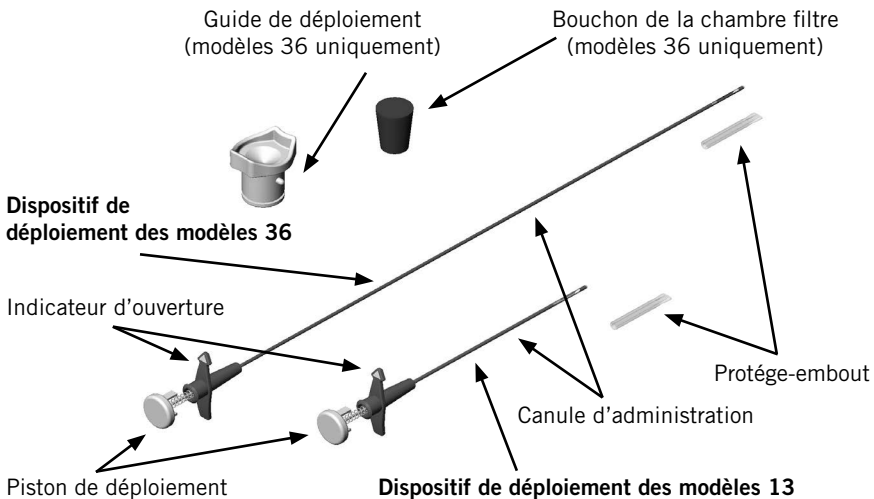
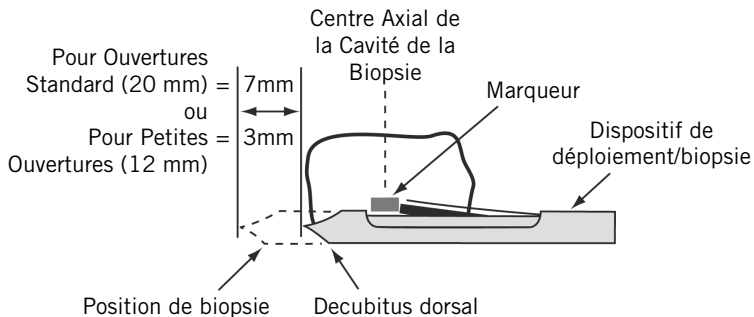


Figure C: Centre Axial de la Cavité de la Biopsie



Application avec la Stéréotaxie

Méthode avec Introduceur de Canule Externe ATEC® (13-12 et 13-09 uniquement)

1. Avant d'utiliser le système de marquage de site de biopsie ATEC TriMark, inspectez l'emballage de protection et le dispositif afin de vérifier qu'il n'a pas été endommagé pendant le transport. Si l'emballage est détérioré, n'utilisez pas le dispositif.
2. Sortez avec précaution le système de site de biopsie ATEC TriMark de son emballage de protection en utilisant une technique stérile.

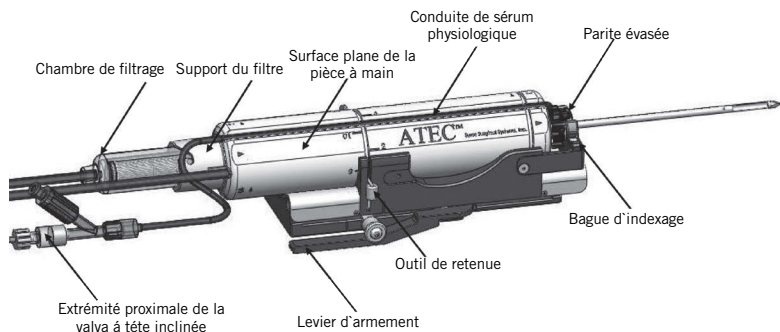
Remarque : retirez la protection de l'extrémité avant d'utiliser le dispositif.

3. Mettez la console en mode « Set Up » (Configuration) ou « Lavage » ou activez un de ces modes.
4. Lavez soigneusement la cavité de la biopsie avant d'insérer le dispositif de déploiement.
5. Tirez l'adaptateur vers l'arrière de 7 mm pour les dispositifs à ouverture de 20 mm ou de 3 mm pour les dispositifs à ouverture de 12 mm. Cela permet de mettre le système en place pour le déploiement du marqueur vers le centre axial de la cavité de la biopsie (Figure C).
6. Faites tourner la pièce à main de sorte que la surface plane pointe vers la position 12 h.
7. Détachez la conduite de sérum physiologique de l'extrémité proximale de la valve à tête inclinée et dénudez la conduite jusqu'à sa partie évasée.
8. Tournez la pièce à main de sorte que la surface plane pointe vers le centre radial de la cavité de la biopsie. La surface plane indique la direction du trou d'aiguille (Figure A).
9. Insérez une bague d'indexage pour maintenir en place la partie évasée (Figure D).
10. Faites tourner la pièce à main de 1/8 de tour dans le sens inverse des aiguilles d'une montre.
11. Desserrez l'outil de retenue et tirez sur la pièce à main vers l'arrière pour la dégager de la partie évasée (Figure D).
12. Passez l'extrémité distale du dispositif de déploiement dans la canule externe à travers la partie évasée.
13. Avancez le dispositif de déploiement avec précaution jusqu'à ce qu'il bute sur l'extrémité distale de la canule externe. Assurez-vous que cette position est maintenue pendant le déploiement du marqueur en la maintenant de votre main libre.
14. Localisez la flèche blanche sur l'indicateur d'ouverture et alignez-la sur le point blanc de la partie évasée. Elle indique l'orientation de l'ouverture et le sens de déploiement du marqueur.
15. Dépliez le marqueur vers le centre de la cavité de la biopsie en avançant le piston avec le pouce jusqu'à son verrouillage sur l'indicateur d'ouverture.
16. Lorsque vous entendez et que vous sentez que le système est enclenché, lâchez le piston blanc.
17. Enlevez la bague d'indexage.

Application avec la Stéréotaxie (Suite)

18. Faites tourner l'indicateur d'ouverture de 180 degrés.
19. Faites tourner la partie évasée de 180 degrés.
20. Insérez une bague d'indexage pour maintenir en place la partie évasée.
21. Le dégagement initial du dispositif de déploiement et de la canule externe/partie évasée doit être contrôlé en déplaçant lentement l'adaptateur vers l'arrière de 20 mm.
22. Vérifiez le déploiement et la position du marqueur avant de retirer le dispositif.
23. Enlevez la bague d'indexage.
24. Retirez délicatement le dispositif de déploiement et la canule externe/partie évasée en bloc du sein et jetez-les conformément à la réglementation.
25. Décompressez lentement le sein.

Figure D: Descriptions de la Pièce à Main et de L'adaptateur Pour Système de Stéréotaxie ATEC®



Application Avec la Stéréotaxie

Méthode avec Introducteur de Pièce à Main ATEC® (36-12 et 36-09 uniquement)

1. Avant d'utiliser le système de marquage de site de biopsie ATEC TriMark, inspectez l'emballage de protection et le dispositif afin de vérifier qu'il n'a pas été endommagé pendant le transport. Si l'emballage est détérioré, n'utilisez pas le dispositif.
2. Sortez avec précaution le système de site de biopsie ATEC TriMark de son emballage de protection en utilisant une technique stérile.

Remarque : retirez la protection de l'extrémité avant d'utiliser le dispositif.

3. Mettez la console en mode « Set Up » (Configuration) ou « Lavage » ou activez un de ces modes.
4. Lavez soigneusement la cavité de la biopsie avant d'insérer le dispositif de déploiement.

Application Avec la Stéréotaxie (Suite)

5. Tirez l'adaptateur vers l'arrière de 7 mm pour les dispositifs à ouverture de 20 mm ou de 3 mm pour les dispositifs à ouverture de 12 mm. Cela permet de mettre le système en place pour le déploiement du marqueur vers le centre axial de la cavité de la biopsie (Figure C).
6. Détachez la conduite de sérum physiologique de l'extrémité proximale de la valve à tête inclinée.
7. Retirez la chambre de filtrage de l'extrémité proximale de la pièce à main.
8. Retirez le filtre des tissus de la chambre de filtrage et remplacez-le par le bouchon de la chambre de filtrage.
9. Sortez le guide de déploiement de son emballage de protection.
10. Fixez le guide de déploiement au support de filtre de la pièce à main.
11. Tournez la pièce à main de sorte que la surface plane pointe vers le centre radial de la cavité de la biopsie. La surface plane indique la direction du trou d'aiguille (Figure A).
12. Insérez une bague d'indexage pour maintenir en place la pièce à main (Figure D).
13. Avancez le dispositif de déploiement avec précaution à travers le guide de déploiement jusqu'à ce qu'il bute sur l'extrémité distale de la canule externe. Assurez-vous que le dispositif reste engagé pendant le déploiement du marqueur en le maintenant de votre main libre.
14. Localisez la flèche blanche sur l'indicateur d'ouverture et alignez-la sur la surface plane de la pièce à main. Elle indique l'orientation de l'ouverture et le sens de déploiement du marqueur.
15. Dépliez le marqueur vers le centre de la cavité de la biopsie en avançant le piston avec le pouce jusqu'à son verrouillage sur l'indicateur d'ouverture.

Remarque : suite à l'insertion du dispositif de déploiement du marqueur, la console ne doit PAS être remise en mode « Biopsy ».

16. Lorsque vous entendez et que vous sentez que le système est enclenché, lâchez le piston blanc.
17. Enlevez la bague d'indexage. (Figure D).
18. Faites tourner l'indicateur d'ouverture de 180 degrés.
19. Faites tourner la pièce à main de 180 degrés.
20. Le dégagement initial du dispositif de déploiement et de la pièce à main doit être contrôlé en déplaçant lentement l'adaptateur vers l'arrière de 20 mm.
21. Vérifiez le déploiement et la position du marqueur avant de retirer le dispositif.
22. Desserrez l'outil de retenue (Figure D).
23. Retirez délicatement le dispositif de déploiement et la pièce à main en bloc du sein et jetez-les conformément à la réglementation.
24. Décompressez lentement le sein.

Application IRM

Méthode avec introducteur ATEC® (13-MR uniquement)

1. Avant d'utiliser le système de marquage de site de biopsie ATEC TriMark, inspectez l'emballage de protection et le dispositif afin de vérifier qu'il n'a pas été endommagé pendant le transport. Si l'emballage est détérioré, n'utilisez pas le dispositif.
2. Sortez avec précaution le système de site de biopsie ATEC TriMark de son emballage de protection en utilisant une technique stérile.

Remarque : retirez la protection de l'extrémité avant d'utiliser le dispositif.

3. Mettez la console en mode « Set Up » (Configuration) ou « Lavage » ou activez un de ces modes.
4. Lavez soigneusement la cavité de la biopsie avant d'insérer le dispositif de déploiement.
5. Détachez la conduite de sérum physiologique de l'extrémité proximale de la valve à tête inclinée.
6. Mettez la console en mode « Biopsy » (Biopsie) ou activez ce mode.
7. Retirez la pièce à main de la gaine d'introduction et jetez-la conformément à la réglementation.
8. Introduisez l'extrémité distale du dispositif de déploiement à travers la gaine d'introduction.
9. Poussez le dispositif de déploiement avec précaution jusqu'à ce que l'indicateur d'ouverture soit en contact avec la partie évasée de la gaine d'introduction. Assurez-vous que cette position est maintenue pendant le déploiement du marqueur en la maintenant de votre main libre.
10. Localisez la flèche blanche sur l'indicateur d'ouverture. Elle indique l'orientation de l'ouverture et le sens de déploiement du marqueur.
11. Tournez l'indicateur d'ouverture de sorte que la flèche blanche pointe vers le centre radial de la cavité de la biopsie (Figure A).
12. Dépliez le marqueur vers le centre de la cavité de la biopsie en avançant le piston avec le pouce jusqu'à son verrouillage sur l'indicateur d'ouverture.
13. Lorsque vous entendez et que vous sentez que le système est enclenché, lâchez le piston blanc.
14. Faites tourner l'indicateur d'ouverture de 180 degrés.
15. Retirez lentement le dispositif de déploiement du sein et jetez-le conformément à la réglementation.
16. Vérifiez le déploiement et la position du marqueur avant de retirer la gaine d'introduction.

Avertissements et Précautions

- Le dispositif de déploiement ATEC TriMark n'est pas recommandé pour une utilisation avec l'entrefer d'un aimant IRM.
- Le système de marquage de site de biopsie ATEC TriMark n'est pas recommandé pour une utilisation chez des patientes possédant des implants mammaires.
- La procédure du système ATEC TriMark doit être exclusivement effectuée par des médecins parfaitement formés et familiarisés à cette procédure. Consultez la littérature médicale relative aux techniques, complications et risques avant d'effectuer une procédure très peu invasive.
- Ce dispositif doit être utilisé par des médecins formés aux techniques de biopsie percutanée ou ouverte.
- **Rx Only** Mise en garde : les lois fédérales (des États-Unis) limitent la vente de ce dispositif par un médecin ou sous prescription médicale.
- Le marqueur de site de biopsie ATEC TriMark doit être déplié dans la cavité créée lors de la procédure de biopsie. Le déploiement au niveau de tissus situés à l'écart de la cavité de biopsie est déconseillé.
- Si le dispositif de déploiement est difficile à insérer dans le dispositif de biopsie ou à en retirer, ne forcez pas. L'emploi d'une force excessive risque d'endommager ou de casser le dispositif de déploiement ; une partie du dispositif de déploiement risque ainsi de rester à l'intérieur du patient. S'il est difficile de retirer le dispositif de déploiement du dispositif de biopsie, retirez ces deux dispositifs à la fois.
- La position du marqueur par rapport aux repères établis peut varier lors d'une mammographie suite à l'apparition de compressions mammaires ultérieures.
- Le marqueur de site de biopsie ATEC TriMark n'est pas destiné à être repositionné ou capturé de nouveau une fois déplié.
- La formation d'un hématome important au niveau de la cavité de biopsie peut provoquer l'adhérence du marqueur au dispositif de déploiement et augmenter le risque de glissement de celui-ci.
- Prenez les précautions nécessaires pour éviter d'endommager la canule. Évitez tout contact du marqueur de site de biopsie ATEC TriMark ou de l'extrémité distale du dispositif de déploiement avec l'opérateur ou l'instrument.
- Le marqueur de site de biopsie ATEC TriMark implanté varie selon l'imagerie par résonance magnétique (IRM). Le marqueur de site de biopsie ATEC TriMark implanté ne présente aucun risque supplémentaire pour le patient ou l'opérateur en termes de forces magnétiques, de couple, d'échauffement, de tensions induites ou de mouvement, mais il peut affecter la qualité de l'image IRM.
- Les instruments et les accessoires très peu invasifs fabriqués ou distribués par des sociétés non agréées par Hologic, Inc. peuvent s'avérer incompatibles avec le système de marquage de site de biopsie ATEC TriMark. L'utilisation de ces produits peut générer des résultats imprévus et provoquer des lésions chez l'utilisateur ou le patient.

Avertissements et Précautions (suite)

- Les instruments ou les dispositifs en contact avec des fluides corporels peuvent nécessiter une procédure particulière d'élimination des déchets pour éviter toute contamination biologique.
- Suite à l'insertion du dispositif de déploiement du marqueur, la console ne doit PAS être mise en mode « Biopsy ».
- Jetez les instruments ouverts, qu'ils aient été utilisés ou non.
- Ne restérilisez et/ou ne réutilisez pas le système de marquage de site de biopsie ATEC TriMark. La restérilisation et/ou la réutilisation risquent de compromettre l'intégrité de l'instrument. Cela peut entraîner un fonctionnement du dispositif non conforme aux attentes et/ou entraîner la contamination croisée due à l'utilisation de dispositifs nettoyés et stérilisés de manière incorrecte.
- Si le guide de déploiement n'est pas utilisé avec les dispositifs 36-09 ou 36-12, le dispositif de déploiement risque d'être endommagé et d'entraîner un mauvais fonctionnement du dispositif.

Présentation

Le système de marquage de site de biopsie ATEC TriMark est stérilisé par rayonnement gamma et est fourni préassemblé et à usage unique. Jetez-le dans un récipient approprié après utilisation.

Informations données par les étiquettes :



Nombre de dispositifs inclus.

YYYY-MM-DD

La date de péremption est représentée par les éléments suivants :

YYYY représente l'année

MM représente le mois

DD représente le jour

Informations Supplémentaires

Pour plus d'informations sur le système de marquage de site de biopsie ATEC TriMark, les clients résidant aux États-Unis ou au Canada peuvent contacter le service d'assistance clientèle au 1-877-887-8767 ou à l'adresse CSupport@hologic.com.

Les clients des autres pays doivent contacter leur distributeur local.

Copyright © 2014 Hologic, Inc. Hologic, ATEC et TriMark sont des marques déposées et/ou des marques commerciales de Hologic, Inc. aux États-Unis et/ou dans d'autres pays.

Gebruiksaanwijzing

ATEC® TriMark®

biopsieplaatsmarkersysteem

Lees alle informatie zorgvuldig door. Het niet opvolgen van de instructies kan onvoorziene chirurgische gevolgen hebben.

Belangrijk: Deze bijsluiter is bedoeld als gebruiksaanwijzing voor de ATEC® TriMark® biopsieplaatsmarker. De bijsluiter is niet geschikt als referentiemateriaal voor chirurgische technieken.

Nadat de ATEC borstbiopsie is uitgevoerd, kan de gebruiker gebruikmaken van het ATEC TriMark biopsieplaatsmarkersysteem van Hologic, Inc. Afhankelijk van het toepassingstype (beeldvormingsmodaliteit) dat wordt gebruikt om de borstbiopsie te leiden, volgt de gebruiker een van de genoemde processen voor gebruik van het ATEC TriMark biopsieplaatsmarkersysteem. De drie beeldvormingsmodaliteiten die worden gebruikt om plaatsing van het ATEC TriMark biopsieplaatsmarkersysteem te leiden, omvatten echografische, stereotactische röntgen- en MRI-beeldvorming. Er zijn twee plaatsingsmethoden mogelijk voor het ATEC TriMark biopsieplaatsmarkersysteem bij gebruik van echografische en stereotactische röntgenbeeldvorming; beide worden afzonderlijk beschreven.

Indicaties

(Productcodes TriMarkTD 13-12, TriMarkTD-2S-13-12, TriMarkTD 13-09, TriMarkTD-2S-13-09, TriMarkTD 13-MR, TriMarkTD-2S-13-MR, TriMarkTD 36-12, TriMarkTD-2S-36-12, TriMarkTD 36-09 en TriMarkTD-2S-36-09.)

Het ATEC TriMark biopsieplaatsmarkersysteem is geïndiceerd voor röntgenmarkering van de plaats voor een open of percutane biopsie.

Contra-indicaties

Geen enkele contra-indicatie bekend.

Beschrijving van het apparaat

Het ATEC TriMark biopsieplaatsmarkersysteem is een steriel systeem voor eenmalig gebruik en bestaat uit een titanium marker en een plaatsingshulpmiddel. Het plaatsingshulpmiddel bestaat uit een starre canule, een plunjer, een starre drukstang en een handgreep. De ATEC TriMark biopsieplaatsmarker bevindt zich aan het distale uiteinde van het plaatsingshulpmiddel. Het ATEC TriMark biopsieplaatsmarkersysteem kan worden gebruikt onder geleiding van beeldvorming (zoals stereotactische röntgen-, echografische of MRI-beeldvorming). De titanium marker is geclassificeerd als MRI-veilig onder bepaalde voorwaarden bij

Beschrijving van het apparaat (Vervolg)

een veldsterkte van 3,0 Tesla of minder. Wanneer de marker zich in een patiënt bevindt die een MRI-procedure bij 3,0 Tesla of minder ondergaat, vormt deze geen extra gevaar of risico met betrekking tot interacties, beweging/losraken of opwarming gerelateerd aan magnetische velden.

De veiligheidsinformatie voor MRI-procedures moet worden nageleefd aan de hand van de volgende richtlijnen:

MRI-artefacten

Er zijn artefacten voor de ATEC TriMark biopsieplaatsmarker gekenmerkt met behulp van een MRI-systeem van 1,5 Tesla en T1-gewogen pulssequenties voor spin-echo en gradiënt-echo. Op basis van deze informatie kan de kwaliteit van de beeldvorming enigszins worden aangetast als het interessegebied zich in precies hetzelfde gebied bevindt als de ATEC TriMark biopsieplaatsmarker.

De afmetingen van artefacten zijn afhankelijk van het type pulssequentie dat voor de beeldvorming wordt gebruikt (groter voor pulssequenties voor gradiënt-echo en kleiner voor pulssequenties voor spin-echo en snelle spin-echo), de richting van de frequentiecodering (groter als de richting van de frequentiecodering loodrecht op het hulpmiddel staat en kleiner als de richting van de frequentiecodering evenwijdig met het hulpmiddel loopt) en de grootte van het gezichtsveld. Positiefouten en artefacten op beelden zijn kleiner bij MRI-systemen met een lagere statische magnetische veldsterkte bij gebruik van dezelfde beeldvormingsparameters als MRI-systemen met een hogere statische magnetische veldsterkte.

Compatibiliteit

U/S			
Methode	Handstuk gauge	Toegang biopsieplaats	ATEC TriMark™-apparaat
Methode zonder introducer	9G	nvt	TriMark TD 13-09
		nvt	TriMark TD-2S-13-09
	12G	nvt	TriMark TD 13-12
		nvt	TriMark TD-2S-13-12
Methode met buitenste canule als introducer	9G	ATEC 0909-20 Buitenste canule	TriMark TD 13-09
		ATEC 0909-12 Buitenste canule	TriMark TD-2S-13-09
		ATEC 0912-20 Buitenste canule	
		ATEC 0912-12 Buitenste canule	
	12G	ATEC 1209-20 Buitenste canule	TriMark TD 13-12
		ATEC 1212-20 Buitenste canule	TriMark TD-2S-13-12
STX			
Methode	Handstuk gauge	Toegang biopsieplaats	ATEC TriMark™-apparaat
Methode met buitenste canule als introducer	9G	ATEC 0909-20 Buitenste canule	TriMark TD 13-09
		ATEC 0909-12 Buitenste canule	
		ATEC 0912-20 Buitenste canule	TriMark TD-2S-13-09
		ATEC 0912-12 Buitenste canule	
	12G	ATEC 1209-20 Buitenste canule	TriMark TD 13-12
		ATEC 1212-20 Buitenste canule	TriMark TD-2S-13-12
Method met ATEC®-handstuk als introducer	9G	ATEC 0909-20-handstuk	TriMark TD 36-09
		ATEC 0909-12-handstuk	
		ATEC 0912-20-handstuk	TriMark TD-2S-36-09
		ATEC 0912-12-handstuk	
	12G	ATEC 0914-20-handstuk	
		ATEC 1209-20-handstuk	TriMark TD 36-12
		ATEC 1212-20-handstuk	TriMark TS-2S-36-12
MRI			
Methode	Handstuk gauge	Toegang biopsieplaats	ATEC TriMark™-apparaat
Methode met schedel als introducer	9G	ILS 0914-20	TriMark TD 13-MR
		ILS 0914-20-0B	TriMark TD-2S-13-MR
		ILS 0914-12	
		ILS 0914-12-0B	

U/S-toepassing

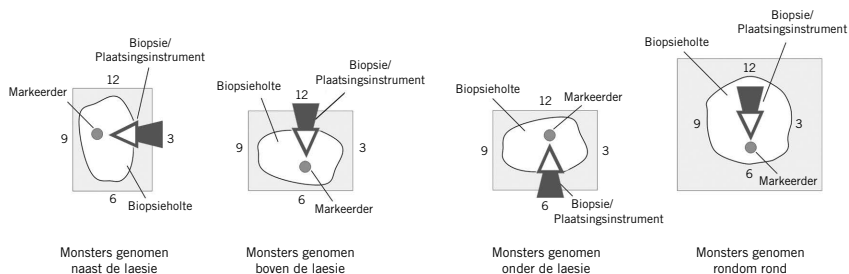
Methode zonder introducer (alleen 13-12 en 13-09)

1. Voordat u het ATEC TriMark biopsieplaatsmarkersysteem gebruikt, moet u de beschermende verpakking en het hulpmiddel controleren op transportschade. Gebruik het hulpmiddel niet als de verpakking lijkt te zijn aangetast.
2. Gebruik een steriele techniek om het ATEC TriMark biopsieplaatsmarkersysteem voorzichtig uit de beschermende verpakking te nemen.

Opmerking: Verwijder de tipbescherming voordat u het hulpmiddel gebruikt.

3. Draai of activeer de console naar de modus 'Set Up' of 'Lavage'.
4. Spoel de biopsieholte grondig voordat het plaatsingshulpmiddel wordt ingebracht.
5. Koppel de leiding voor zoutoplossing los aan het proximale uiteinde van het Y-ventiel.
6. Draai of activeer de console naar de modus 'Biopsy'.
7. Verwijder het handstuk uit de borst en voer dit volgens de voorschriften af.
8. Plaats het distale uiteinde van het plaatsingshulpmiddel in het naaldkanaal dat door de buitencanule is gevormd.
9. Voer het plaatsingshulpmiddel voorzichtig op naar de gewenste plaatsingslocatie van de marker.
10. Zoek de witte richtingspijl op de apertuurindicator. Deze geeft de richting van de markerapertuur aan en de richting waarin de marker wordt geplaatst.
11. Draai de apertuurindicator zodat de witte pijl naar het radiale midden van de biopsieholte wijst. (Afbeelding A)
12. Plaats de marker richting het midden van de biopsieholte door de plunjer van het plaatsingshulpmiddel met uw duim op te voeren tot deze op de apertuurindicator blijft vastzitten.
13. Na de hoorbare en voelbare klik haalt u uw duim van de witte plunjer.
14. Draai de apertuurindicator 180 graden.
15. Controleer de plaatsing en positie van de marker voordat u het hulpmiddel verwijdert.
16. Verwijder het plaatsingshulpmiddel langzaam uit de borst en voer dit volgens de voorschriften af.

Figuur A: Radiaal centrum van de biopsieholte



U/S-toepassing

ATEC®-methode met buitenste canule als introducer (alleen 12-13 en 13-09)

1. Voordat u het ATEC TriMark biopsieplaatsmarkersysteem gebruikt, moet u de beschermende verpakking en het hulpmiddel controleren op transportschade. Gebruik het hulpmiddel niet als de verpakking lijkt te zijn aangetast.
2. Gebruik een steriele techniek om het ATEC TriMark biopsieplaatsmarkersysteem voorzichtig uit de beschermende verpakking te nemen.

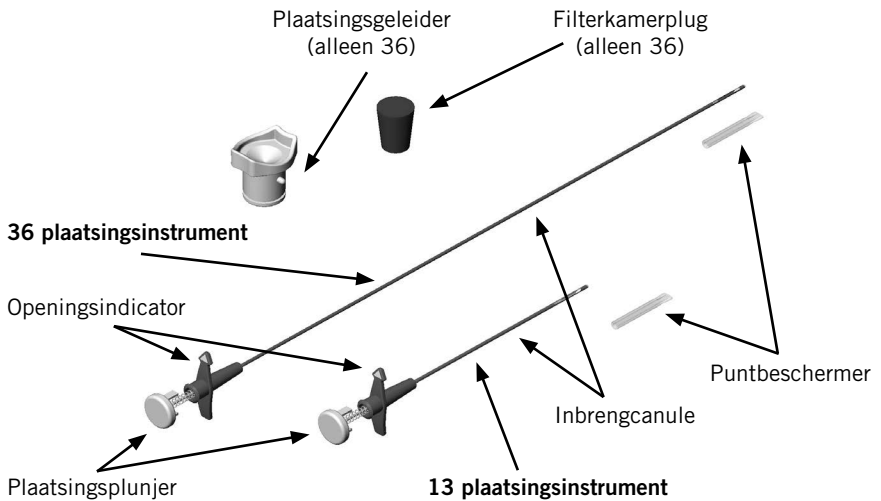
Opmerking: Verwijder de tipbescherming voordat u het hulpmiddel gebruikt.

3. Draai of activeer de console naar de modus 'Set Up' of 'Lavage'.
4. Spoel de biopsieholte grondig voordat het plaatsingshulpmiddel wordt ingebracht.
5. Koppel de leiding voor zoutoplossing los aan het proximale uiteinde van het Y-ventiel en strip de leiding tot aan het aanzetstuk.
6. Houd het aanzetstuk stevig vast in één hand, draai het handstuk 1/8 slag naar links en trek het terug om het van de buitencanule te scheiden.
7. Trek het aanzetstuk 7 mm terug bij hulpmiddelen met een apertuur van 20 mm of 3 mm bij hulpmiddelen met een apertuur van 12 mm. Hierdoor wordt het systeem gepositioneerd om de marker in het axiale midden van de biopsieholte te plaatsen. (Afbeelding C)
8. Draai het aanzetstuk zodanig dat de witte stip die de positie van de naaldapertuur aangeeft naar het radiale midden van de biopsieholte wijst. (Afbeelding A)
9. Plaats het distale uiteinde van het plaatsingshulpmiddel in de buitencanule door het aanzetstuk.
10. Voer het plaatsingshulpmiddel voorzichtig op totdat het een definitieve eindpositie bij de distale tip van de buitencanule bereikt. Zorg ervoor dat deze positie wordt gehandhaafd gedurende de plaatsing van de marker door het hulpmiddel met uw vrije hand op zijn plaats te houden.

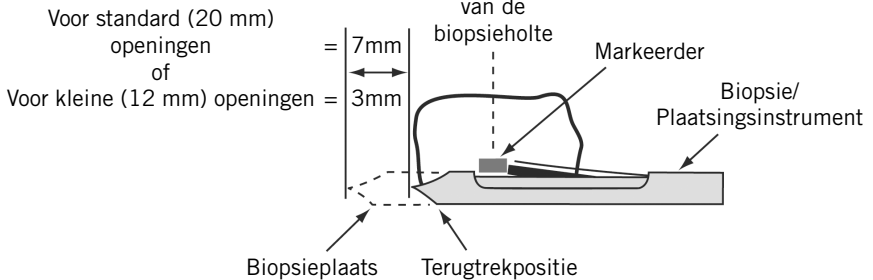
U/S-toepassing (Vervolg)

11. Zoek de witte richtingspijl op de apertuurindicator en lijn deze uit met de witte stip van het aanzetstuk. Deze geeft de richting van de markerapertuur aan en de richting waarin de marker wordt geplaatst.
12. Plaats de marker richting het midden van de biopsieholte door de plunjers van het plaatsingshulpmiddel met uw duim op te voeren tot deze op de apertuurindicator blijft vastzitten.
13. Na de hoorbare en voelbare klik haalt u uw duim van de witte plunjer.
14. Draai de apertuurindicator 180 graden.
15. Draai het aanzetstuk 180 graden.
16. Controleer de plaatsing en positie van de marker voordat u het hulpmiddel verwijdert.
17. Verwijder het plaatsingshulpmiddel en de buitencanule/het aanzetstuk langzaam en als één geheel uit de borst en voer de onderdelen volgens de voorschriften af.

Figuur B: Beschrijvingen ATEC TriMark



Figuur C: Axiaal centrum van de biopsieholte



STX-toepassing

ATEC®-introducermethode met buitenste canule (alleen 13-12 en 13-09)

1. Voordat u het ATEC TriMark biopsieplaatsmarkersysteem gebruikt, moet u de beschermende verpakking en het hulpmiddel controleren op transportschade. Gebruik het hulpmiddel niet als de verpakking lijkt te zijn aangetast.
2. Gebruik een steriele techniek om het ATEC TriMark biopsieplaatsmarkersysteem voorzichtig uit de beschermende verpakking te nemen.

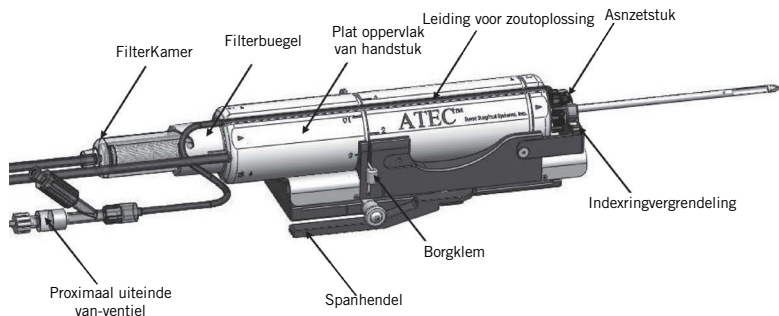
Opmerking: Verwijder de tipbescherming voordat u het hulpmiddel gebruikt.

3. Draai of activeer de console naar de modus 'Set Up' of 'Lavage'.
4. Spoel de biopsieholte grondig voordat het plaatsingshulpmiddel wordt ingebracht.
5. Trek de adapter 7 mm terug bij hulpmiddelen met een apertuur van 20 mm of 3 mm bij hulpmiddelen met een apertuur van 12 mm. Hierdoor wordt het systeem gepositioneerd om de marker in het axiale midden van de biopsieholte te plaatsen. (Afbeelding C)
6. Draai het handstuk zodat het platte oppervlak omhoog is gericht (12 uurpositie).
7. Koppel de leiding voor zoutoplossing los aan het proximale uiteinde van het Y-ventiel en strip de leiding tot aan het aanzetstuk.
8. Draai het handstuk zodat het platte oppervlak naar het radiale midden van de biopsieholte wijst. Het platte oppervlak geeft aan waar de naaldapertuur naartoe wijst. (Afbeelding A)
9. Maak één indexringvergrendeling vast om het aanzetstuk op zijn plaats te houden. (Afbeelding D)
10. Draai het handstuk 1/8 slag naar links.

STX-toepassing (Vervolg)

11. Maak de borgklem los en trek het handstuk terug om het van het aanzetstuk te scheiden. (Afbeelding D)
12. Plaats het distale uiteinde van het plaatsingshulpmiddel in de buitencanule door het aanzetstuk.
13. Voer het plaatsingshulpmiddel voorzichtig op totdat het een definitieve eindpositie bij de distale tip van de buitencanule bereikt. Zorg ervoor dat deze positie wordt gehandhaafd gedurende de plaatsing van de marker door het hulpmiddel met uw vrije hand op zijn plaats te houden.
14. Zoek de witte richtingspijl op de apertuurindicator en lijn deze uit met de witte stip van het aanzetstuk. Deze geeft de richting van de markerapertuur aan en de richting waarin de marker wordt geplaatst.
15. Plaats de marker richting het midden van de biopsieholte door de plunjer van het plaatsingshulpmiddel met uw duim op te voeren tot deze op de apertuurindicator blijft vastzitten.
16. Na de hoorbare en voelbare klik haalt u uw duim van de witte plunjer.
17. Maak de indexringvergrendeling los.
18. Draai de apertuurindicator 180 graden.
19. Draai het aanzetstuk 180 graden.
20. Maak één indexringvergrendeling vast om het aanzetstuk op zijn plaats te houden.
21. Het plaatsingshulpmiddel en de buitencanule/het aanzetstuk moeten aanvankelijk gecontroleerd worden teruggetrokken door de adapter langzaam 20 mm terug te schuiven.
22. Controleer de plaatsing en positie van de marker voordat u het hulpmiddel verwijdert.
23. Maak de indexringvergrendeling los.
24. Verwijder het plaatsingshulpmiddel en de buitencanule/het aanzetstuk langzaam en als één geheel uit de borst en voer de onderdelen volgens de voorschriften af.
25. Voer langzaam decompressie van de borst uit.

Figuur D: Beschrijvingen ATEC®-handstuk en STX-adapter



STX-toepassing

ATEC®-introducermethode met handstuk (alleen 36-12 en 36-09)

1. Voordat u het ATEC TriMark biopsieplaatsmarkersysteem gebruikt, moet u de beschermende verpakking en het hulpmiddel controleren op transportschade. Gebruik het hulpmiddel niet als de verpakking lijkt te zijn aangetast.
2. Gebruik een steriele techniek om het ATEC TriMark biopsieplaatsmarkersysteem voorzichtig uit de beschermende verpakking te nemen.

Opmerking: Verwijder de tipbescherming voordat u het hulpmiddel gebruikt.

3. Draai of activeer de console naar de modus 'Set Up' of 'Lavage'.
4. Spoel de biopsieholte grondig voordat het plaatsingshulpmiddel wordt ingebracht.
5. Trek de adapter 7 mm terug bij hulpmiddelen met een apertuur van 20 mm of 3 mm bij hulpmiddelen met een apertuur van 12 mm. Hierdoor wordt het systeem gepositioneerd om de marker in het axiale midden van de biopsieholte te plaatsen. (Afbeelding C)
6. Koppel de leiding voor zoutoplossing los aan het proximale uiteinde van het Y-ventiel.
7. Verwijder de filterkamer van het proximale uiteinde van het handstuk.
8. Verwijder het weefselfilter uit de filterkamer en vervang dit door de filterkamerplug.
9. Neem de plaatsingsgeleider uit de beschermende verpakking.
10. Bevestig de plaatsingsgeleider aan de filterbeugel van het handstuk.

STX-toepassing (Vervolg)

11. Draai het handstuk zodat het platte oppervlak naar het radiale midden van de biopsieholte wijst. Het platte oppervlak geeft aan waar de naaldapertuur naartoe wijst. (Afbeelding A)
 12. Maak één indexringvergrendeling vast om het handstuk op zijn plaats te houden. (Afbeelding D)
 13. Voer het plaatsingshulpmiddel voorzichtig op door de plaatsingsgeleider totdat het een definitieve eindpositie bij de distale tip van de buitencanule bereikt. Zorg ervoor dat deze koppeling wordt gehandhaafd gedurende de plaatsing van de marker door het hulpmiddel met uw vrije hand op zijn plaats te houden.
 14. Zoek de witte richtingspijl op de apertuurindicator en lijn deze uit met het platte oppervlak van het handstuk. Deze geeft de richting van de markerapertuur aan en de richting waarin de marker wordt geplaatst.
 15. Plaats de marker richting het midden van de biopsieholte door de plunjer van het plaatsingshulpmiddel met uw duim op te voeren tot deze op de apertuurindicator blijft vastzitten.
- Opmerking: Nadat het markerplaatsingshulpmiddel is ingebracht, mag de console NIET terug in de modus 'Biopsy' worden gezet.
16. Na de hoorbare en voelbare klik haalt u uw duim van de witte plunjer.
 17. Maak de indexringvergrendeling los. (Afbeelding D)
 18. Draai de apertuurindicator 180 graden.
 19. Draai het handstuk 180 graden.
 20. Het plaatsingshulpmiddel en het handstuk moeten aanvankelijk gecontroleerd worden teruggetrokken door de adapter langzaam 20 mm terug te schuiven.
 21. Controleer de plaatsing en positie van de marker voordat u het hulpmiddel verwijdert.
 22. Maak de borgklem los. (Afbeelding D)
 23. Verwijder het plaatsingshulpmiddel en het handstuk langzaam en als één geheel uit de borst en voer beide onderdelen volgens de voorschriften af.
 24. Voer langzaam decompressie van de borst uit.

MRI-toepassing

ATEC®-introducermethode met schede (alleen 13-MR)

1. Voordat u het ATEC TriMark biopsieplaatsmarkersysteem gebruikt, moet u de beschermende verpakking en het hulpmiddel controleren op transportschade. Gebruik het hulpmiddel niet als de verpakking lijkt te zijn aangetast.
 2. Gebruik een steriele techniek om het ATEC TriMark biopsieplaatsmarkersysteem voorzichtig uit de beschermende verpakking te nemen.
- Opmerking: Verwijder de tipbescherming voordat u het hulpmiddel gebruikt.
3. Draai of activeer de console naar de modus 'Set Up' of 'Lavage'.
 4. Spoel de biopsieholte grondig voordat het plaatsingshulpmiddel wordt ingebracht.
 5. Koppel de leiding voor zoutoplossing los aan het proximale uiteinde van het Y-ventiel.
 6. Draai of activeer de console naar de modus 'Biopsy'.
 7. Verwijder het handstuk van de inbrenghuls en voer dit volgens de voorschriften af.
 8. Plaats het distale uiteinde van het plaatsingshulpmiddel door de inbrenghuls.
 9. Voer het plaatsingshulpmiddel voorzichtig op totdat de apertuurindicator in aanraking komt met het aanzetstuk van de inbrenghuls. Zorg ervoor dat deze positie wordt gehandhaafd gedurende de plaatsing van de marker door het hulpmiddel met uw vrije hand op zijn plaats te houden.
 10. Zoek de witte richtingspijl op de apertuurindicator. Deze geeft de richting van de markerapertuur aan en de richting waarin de marker wordt geplaatst.
 11. Draai de apertuurindicator zodat de witte pijl naar het radiale midden van de biopsieholte wijst. (Afbeelding A)
 12. Plaats de marker richting het midden van de biopsieholte door de plunjer van het plaatsingshulpmiddel met uw duim op te voeren tot deze op de apertuurindicator blijft vastzitten.
 13. Na de hoorbare en voelbare klik haalt u uw duim van de witte plunjer.
 14. Draai de apertuurindicator 180 graden.
 15. Verwijder het plaatsingshulpmiddel langzaam uit de borst en voer dit volgens de voorschriften af.
 16. Controleer de plaatsing en positie van de marker voordat u de inbrenghuls verwijdert

Waarschuwingen en voorzorgen

- Het gebruik van het ATEC TriMark plaatsingshulpmiddel in een MRI-magneet wordt niet aanbevolen.
- Het ATEC TriMark biopsieplaatsmarkersysteem wordt niet aanbevolen voor gebruik bij patiënten met borstimplantaten.
- De ingreep met ATEC TriMark mag alleen worden uitgevoerd door artsen met de juiste opleiding die voldoende vertrouwd zijn met deze ingreep. Voordat u een minimaal invasieve ingreep uitvoert, dient u de medische literatuur over de betreffende technieken, complicaties en gevaren te raadplegen.
- Dit hulpmiddel mag alleen worden gebruikt door artsen die zijn opgeleid in het uitvoeren van een open of percutane biopsie.
- **Rx Only** Let op: Volgens de federale wetgeving van de Verenigde Staten mag dit hulpmiddel alleen door of op voorschrift van een arts worden verkocht.
- De ATEC TriMark biopsieplaatsmarker moet in de holte worden geplaatst die bij de biopsie is gemaakt. Plaatsing in weefsel buiten de biopsieholte wordt niet aanbevolen.
- Oefen geen overmatige kracht uit als u problemen ondervindt bij het inbrengen of verwijderen van het plaatsingshulpmiddel in/uit het biopsiehulpmiddel. Overmatige kracht kan leiden tot beschadiging of breken van het plaatsingshulpmiddel, waardoor een deel van het plaatsingshulpmiddel in de patiënt kan achterblijven. Als het plaatsingshulpmiddel niet gemakkelijk uit het biopsiehulpmiddel kan worden verwijderd, verwijdert u het plaatsings- en biopsiehulpmiddel als een geheel.
- De positie van de marker ten opzichte van vastgestelde oriëntatiepunten kan door opeenvolgende borstcompressies tijdens mammografie veranderen.
- De ATEC TriMark biopsieplaatsmarker mag na plaatsing niet meer worden verplaatst of teruggehaald.
- Te grote hematomen in de biopsieholte en/of de inbrenger kunnen leiden tot adhesie van de marker aan het plaatsingshulpmiddel en daarmee het risico vergroten dat de marker eruit wordt getrokken.
- Zorg ervoor dat de canule niet beschadigd raakt. Voorkom dat de gebruiker of het instrument in aanraking komt met de ATEC TriMark biopsieplaatsmarker of het distale uiteinde van het plaatsingshulpmiddel.
- De geïmplanteerde ATEC TriMark biopsieplaatsmarker is MRI-veilig onder bepaalde voorwaarden. De geïmplanteerde ATEC TriMark biopsieplaatsmarker leidt niet tot een verhoogd risico voor de patiënt of gebruiker van magnetische krachten, moment, opwarming, opgewekte elektrische spanningen of beweging bij MRI, maar beïnvloedt mogelijk wel de kwaliteit van het MRI-beeld.
- Minimaal invasieve instrumenten en accessoires die worden vervaardigd of geleverd door bedrijven die niet zijn geautoriseerd door Hologic, Inc. zijn mogelijk niet compatibel met het ATEC TriMark biopsieplaatsmarkersysteem. Het gebruik van dergelijke producten kan leiden tot onvoorziene resultaten en mogelijk letsel bij de gebruiker of patiënt.
- Instrumenten of hulpmiddelen die in aanraking komen met lichaamsvloeistoffen dienen mogelijk op speciale wijze te worden afgevoerd om biologische besmetting te voorkomen.
- Nadat het markerplaatsingshulpmiddel is ingebracht, mag de console NIET in de modus 'Biopsy' worden gezet.

Waarschuwingen en voorzorgen (Vervolg)

- Alle instrumenten, gebruikt of ongebruikt, waarvan de verpakking is geopend, moeten worden afgevoerd.
- Het ATEC TriMark biopsieplaatsmarkersysteem mag niet opnieuw worden gesteriliseerd en/of gebruikt. Door opnieuw steriliseren en/of gebruiken kan de integriteit van het instrument worden aangetast. Dit kan het mogelijke risico met zich meebrengen dat het hulpmiddel niet meer werkt zoals bedoeld en/of dat er kruisbesmetting optreedt vanwege onvoldoende gereinigde en gesteriliseerde hulpmiddelen.
- Als de plaatsingsgeleider niet wordt gebruikt voor 36-09 of 36-12 hulpmiddelen, kan dit leiden tot beschadiging van het plaatsingshulpmiddel waardoor dit niet meer goed werkt.

Wijze van leveren

Het ATEC TriMark biopsieplaatsmarkersysteem is gesteriliseerd met gammastraling en wordt voorgeladen geleverd voor gebruik bij één patiënt. Gooi het hulpmiddel na gebruik weg in een daarvoor bestemde bak.

Zoals aangegeven op labels:

QUANTITY	<input type="text"/>
-----------------	----------------------

Aantal geleverde hulpmiddelen.

YYYY-MM-DD

Uiterste gebruiksdatum wordt als volgt aangeduid:

YYYY duidt het jaar aan

MM duidt de maand aan

DD duidt de dag aan

Voor meer informatie

Voor meer informatie over het ATEC TriMark biopsieplaatsmarkersysteem, kunnen klanten in de VS en Canada contact opnemen met de klantenondersteuning van Hologic op 1-877-887-8767 of CSupport@hologic.com.

Klanten buiten de VS kunnen contact opnemen met de plaatselijke leverancier.

Copyright © 2014 Hologic, Inc. Hologic, ATEC en TriMark zijn handelsmerken en/of gedeponeerde handelsmerken van Hologic, Inc. in de Verenigde Staten en/of andere landen. Alle rechten voorbehouden.

ATEC® TriMark®

Biopsieentnahmestellen- Markierungssystem

Gebrauchsanleitung

Bitte alle Informationen sorgfältig durchlesen. Bei Nichtbeachten der Anleitungen kann es zu schweren chirurgischen Komplikationen kommen.

Wichtig: Diese Packungsbeilage dient als Gebrauchsanleitung für das ATEC® TriMark®-Biopsieentnahmestellen-Markierungssystem. Sie enthält keine Anweisungen zu chirurgischen Methoden.

Nach Abschluss des ATEC-Brustbiopsieverfahrens kann der Benutzer das ATEC TriMark-Biopsieentnahmestellen-Markierungssystem von Hologic, Inc., einsetzen. Je nach Anwendungstyp (Bildgebungsmodus) der Brustbiopsie befolgt der Benutzer einen der beschriebenen Arbeitsprozesse für das ATEC TriMark-Biopsieentnahmestellen-Markierungssystem. Die bei der Einführung des ATEC TriMark-Biopsieentnahmestellen-Markierungssystem verwendeten Bildgebungsmodi sind Ultraschall (U/S), stereotaktisches Röntgen (STX) und Magnetresonanztomografie (MRT). Das ATEC TriMark-Biopsieentnahmestellen-Markierungssystem kann bei Ultraschall und stereotaktischem Röntgen auf zwei verschiedene Arten eingeführt werden. Beide Methoden werden separat beschrieben.

Indikationen

(Produktcodes TriMarkTD 13-12, TriMarkTD-2S-13-12, TriMarkTD 13-09, TriMarkTD-2S-13-09, TriMarkTD 13-MR, TriMarkTD-2S-13-MR, TriMarkTD 36-12, TriMarkTD-2S-36-12, TriMarkTD 36-09 und TriMarkTD-2S-36-09.)

Das ATEC TriMark-Biopsieentnahmestellen-Markierungssystem ist zur radiografischen Markierung der Biopsiestelle bei offenen oder perkutanen Biopsien indiziert.

Kontraindikationen

Keine bekannt.

Beschreibung des Geräts

Das ATEC TriMark-Biopsieentnahmestellen-Markierungssystem ist ein steriles System zum Einmalgebrauch, das aus einem Titanmarker und einem Einführgerät besteht. Das Einführgerät weist

Beschreibung des Geräts (Fortsetzung)

folgende Komponenten auf: starre Kannüle, Stempel, starrer Schaft und Griff. Der ATEC TriMark-Biopsieentnahmestellen-Marker befindet sich am distalen Ende des Einführgeräts. Das ATEC TriMark-Biopsieentnahmestellen-Markierungssystem kann zusammen mit einer Bildgebung verwendet werden (z. B. stereotaktisches Röntgen, Ultraschall und MRT). Der Titanmarker ist bei einer Magnetfeldstärke von max. 3,0 Tesla als MRT-tauglich klassifiziert. Der Marker ruft bei Patienten, die sich einer MRT-Untersuchung mit einer Magnetfeldstärke von höchstens 3,0 Tesla unterziehen, keine zusätzlichen Gefahren oder Risiken in Bezug auf Wechselwirkungen mit dem Magnetfeld, Bewegung/Dislokation oder Erhitzung hervor.

Sicherheitsmaßnahmen für MRT-Verfahren sollten gemäß den folgenden Richtlinien implementiert werden:

MRT-Artefakte

Beim Einsatz von 1,5-Tesla-MRT-Systemen mit T1-gewichteten, Spin-Echo- und Gradienten-Echo-Sequenzen sind Artefakte durch den ATEC TriMark-Biopsieentnahmestellen-Marker aufgetreten. Wenn sich der Interessensbereich also im gleichen Bereich wie der ATEC TriMark-Biopsieentnahmestellen-Marker befindet, kann es zu einer geringen Verschlechterung der Bildqualität kommen.

Die Größe der Artefakte hängt dabei von den folgenden Faktoren ab: Typ der Pulssequenz (größere Artefakte bei Gradienten-Echo-Pulssequenzen, kleinere Artefakte bei Spin-Echo- und schnellen Spin-Echo-Pulssequenzen), Richtung der Frequenzkodierung (größere Artefakte, wenn die Frequenzkodierung rechtwinklig zum Marker verläuft, und kleinere Artefakte, wenn sie parallel zum Marker verläuft) sowie Größe des Bildfeldes. Unter Verwendung derselben Bildgebungsparameter sind Positionsfehler und Artefakte auf Bildern kleiner bei MRT-Systemen mit geringeren statischen Magnetfeldstärken als bei MRT-Systemen mit höheren statischen Magnetfeldstärken.

Kompatibilität

U/S			
Vorgehensweise	Handstück-Messgerät	Zugang zur Biopsieentnahmestelle	ATEC TriMark
Verfahren ohne Einführhilfe	9G	n. z.	TriMark TD 13-09
		n. z.	TriMark TD-2S-13-09
		n. z.	TriMark TD 13-12
ATEC Äußere Kanüle, Verfahren mit Einführhilfe	9G	n. z.	TriMark TD-2S-13-12
		ATEC 0909-20 Äußere Kanüle	TriMark TD 13-09
		ATEC 0909-12 Äußere Kanüle	TriMark TD-2S-13-09
		ATEC 0912-20 Äußere Kanüle	
	ATEC 0912-12 Äußere Kanüle		
12G	ATEC 1209-20 Äußere Kanüle	TriMark TD 13-12	
	ATEC 1212-20 Äußere Kanüle	TriMark TD-2S-13-12	
STX			
Vorgehensweise	Handstück-Messgerät	Zugang zur Biopsieentnahmestelle	ATEC TriMark
ATEC Äußere Kanüle, Verfahren mit Einführhilfe	9G	ATEC 0909-20 Äußere Kanüle	TriMark TD 13-09
		ATEC 0909-12 Äußere Kanüle	
		ATEC 0912-20 Äußere Kanüle	TriMark TD-2S-13-09
		ATEC 0912-12 Äußere Kanüle	
	12G	ATEC 1209-20 Äußere Kanüle	TriMark TD 13-12
	ATEC 1212-20 Äußere Kanüle	TriMark TD-2S-13-12	
ATEC Handstück, Verfahren mit Einführhilfe	9G	ATEC 0909-20 Handstück	TriMark TD 36-09
		ATEC 0909-12 Handstück	
		ATEC 0912-20 Handstück	TriMark TD-2S-36-09
		ATEC 0912-12 Handstück	
	ATEC 0914-20 Handstück		
	12G	ATEC 1209-20 Handstück	TriMark TD 36-12
	ATEC 1212-20 Handstück	TriMark TS-2S-36-12	
MRI			
Vorgehensweise	Handstück-Messgerät	Zugang zur Biopsieentnahmestelle	ATEC TriMark
ATEC, Verfahren mit Einführschleuse	9G	ILS 0914-20	TriMark TD 13-MR TriMark TD-2S-13-MR
		ILS 0914-20-0B	
		ILS 0914-12	
		ILS 0914-12-0B	

U/S-Anwendung

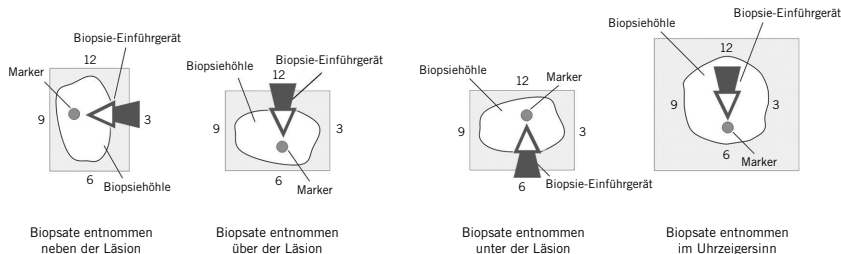
Verfahren ohne Einführhilfe (nur 13-12 und 13-09)

1. Vor Gebrauch des ATEC TriMark-Biopsieentnahmestellen-Markierungssystems Schutzverpackung und Gerät überprüfen, um sicherzustellen, dass keine Transportschäden vorliegen. Das Gerät darf nicht verwendet werden, wenn die Verpackung offensichtlich beschädigt ist.
2. Das ATEC TriMark-Biopsieentnahmestellen-Markierungssystem mittels steriler Verfahrensweise vorsichtig aus seiner Schutzverpackung nehmen.

Hinweis: Den Spitzenschutz vor Verwendung des Geräts entfernen.

3. An der Konsole den Modus "Set Up" oder "Lavage" einstellen oder aktivieren.
4. Die Biopsiehöhle vor Einbringung des Einführgeräts sorgfältig spülen.
5. Die Kochsalzlösungsleitung am proximalen Ende des Y-Ventils abnehmen.
6. An der Konsole den Modus "Biopsie" einstellen oder aktivieren.
7. Das Handstück aus der Brust entfernen und ordnungsgemäß entsorgen.
8. Das distale Ende des Einführgeräts in den Stichkanal einsetzen, der durch die Außenkanüle verursacht wurde.
9. Das Einführgerät behutsam bis zur gewünschten Markierungsstelle vorschieben.
10. Den weißen Richtungspfeil auf der Öffnungsanzeige ausfindig machen. Hierdurch wird die Orientierung der Markeröffnung bzw. die Richtung der Markerplatzierung angezeigt.
11. Die Öffnungsanzeige drehen, bis der weiße Richtungspfeil auf das radiale Zentrum der Biopsiehöhle zeigt. (Abbildung A)
12. Den Marker in Richtung auf das Zentrum der Biopsiehöhle einbringen, indem der Einsetzstempel mit dem Daumen vorgeschoben wird, bis er in der Öffnungsanzeige einrastet.
13. Nach einem hör- und fühlbaren Einrasten den Daumen vom weißen Stempel nehmen.
14. Die Öffnungsanzeige um 180 Grad drehen.
15. Überprüfen, ob der Marker an der richtigen Stelle platziert wurde, bevor das Gerät entfernt wird.
16. Das Einführgerät langsam aus der Brust entfernen und ordnungsgemäß entsorgen.

Abbildung A: Radiales Zentrum der Biopsiehöhle



U/S-Anwendung

ATEC Äußere Kanüle, Verfahren mit Einführhilfe (nur 13-12 und 13-09)

1. Vor Gebrauch des ATEC TriMark-Biopsieentnahmestellen-Markierungssystems Schutzverpackung und Gerät überprüfen, um sicherzustellen, dass keine Transportschäden vorliegen. Das Gerät darf nicht verwendet werden, wenn die Verpackung offensichtlich beschädigt ist.
2. Das ATEC TriMark-Biopsieentnahmestellen-Markierungssystem mittels steriler Verfahrensweise vorsichtig aus seiner Schutzverpackung nehmen.

Hinweis: Den Spitzenschutz vor Verwendung des Geräts entfernen.

3. An der Konsole den Modus "Set Up" oder "Lavage" einstellen oder aktivieren.
4. Die Biopsiehöhle vor Einbringung des Einführergeräts sorgfältig spülen.
5. Die Kochsalzlösungsleitung am proximalen Ende des Y-Ventils abnehmen und die Leitung bis zum Ring abstreifen.
6. Den Ring mit einer Hand festhalten und das Handstück 1/8 Drehung gegen den Uhrzeigersinn drehen. Anschließend den Ring zurückziehen, um ihn von der äußeren Kanüle zu trennen.
7. Den Ring bei Systemen mit einer 20-mm-Öffnung um 7 mm und bei Systemen mit einer 12-mm-Öffnung um 3 mm zurückziehen. Nun kann das System den Marker im axialen Zentrum der Biopsiehöhle platzieren. (Abbildung C)
8. Den Ring drehen, bis der weiße Punkt, der die Nadelöffnungsrichtung angibt, auf das radiale Zentrum der Biopsiehöhle zeigt. (Abbildung A)
9. Das distale Ende des Einführergeräts durch den Ring in die Außenkanüle einsetzen.
10. Das Einführergerät behutsam vorschieben, bis es an der distalen Spitze der Außenkanüle anschlägt. Das System während der Platzierung des Markers mit der freien Hand festhalten, damit diese Position beibehalten wird.

11. Der weiße Richtungspfeil auf der Öffnungsanzeige muss in die gleiche Richtung weisen wie der weiße Punkt auf dem Ring. Hierdurch wird die Orientierung der Markeröffnung bzw. die Richtung der Markerplatzierung angezeigt.
12. Den Marker in Richtung auf das Zentrum der Biopsiehöhle einbringen, indem der Einstempel mit dem Daumen vorgeschoben wird, bis er in der Öffnungsanzeige einrastet.
13. Nach einem hör- und fühlbaren Einrasten den Daumen vom weißen Stempel nehmen.
14. Die Öffnungsanzeige um 180 Grad drehen.
15. Den Ring um 180 Grad drehen.
16. Überprüfen, ob der Marker an der richtigen Stelle platziert wurde, bevor das Gerät entfernt wird.
17. Einführgerät und Außenkanüle/Ring langsam als ganze Einheit aus der Brust entfernen und ordnungsgemäß entsorgen.

Abbildung B: ATEC TriMark Beschreibungen

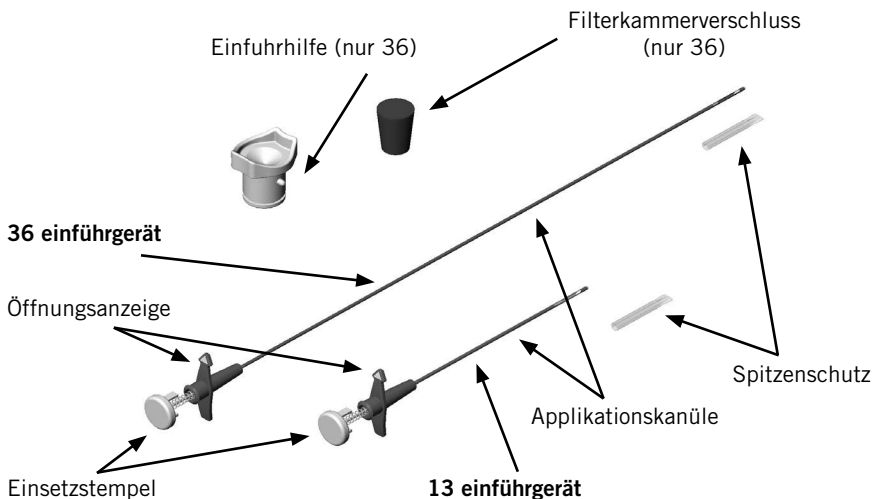
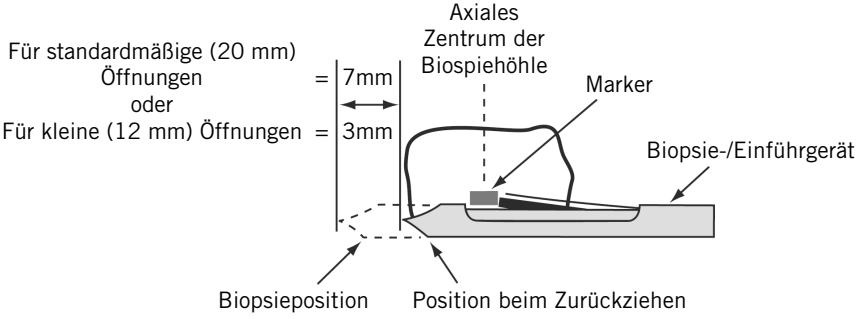


Abbildung C: Axiales Zentrum der Biopsiehöhle



STX-Anwendung

ATEC Äußere Kanüle, Verfahren mit Einführhilfe (nur 13-12 und 13-09)

1. Vor Gebrauch des ATEC TriMark-Biopsieentnahmestellen-Markierungssystems Schutzverpackung und Gerät überprüfen, um sicherzustellen, dass keine Transportschäden vorliegen. Das Gerät darf nicht verwendet werden, wenn die Verpackung offensichtlich beschädigt ist.
2. Das ATEC TriMark-Biopsieentnahmestellen-Markierungssystem mittels steriler Verfahrensweise vorsichtig aus seiner Schutzverpackung nehmen.

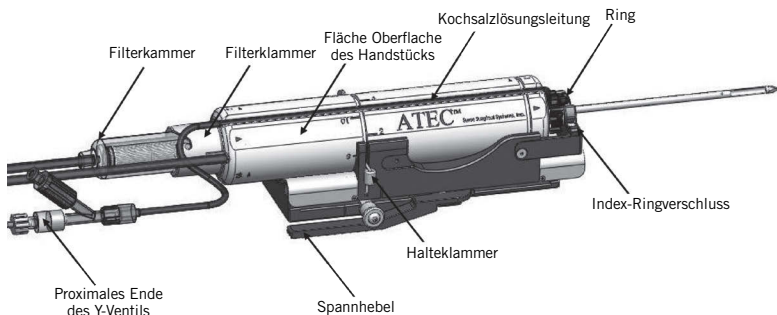
Hinweis: Den Spitzenschutz vor Verwendung des Geräts entfernen.

3. An der Konsole den Modus "Set Up" oder "Lavage" einstellen oder aktivieren.
4. Die Biopsiehöhle vor Einbringung des Einführgeräts sorgfältig spülen.
5. Den Adapter bei Systemen mit einer 20-mm-Öffnung um 7 mm und bei Systemen mit einer 12-mm-Öffnung um 3 mm zurückziehen. Nun kann das System den Marker im axialen Zentrum der Biopsiehöhle platzieren. (Abbildung C)
6. Das Handstück drehen, bis die flache Oberfläche auf 12 Uhr zeigt.
7. Die Kochsalzlösungsleitung am proximalen Ende des Y-Ventils abnehmen und die Leitung bis zum Ring abstreifen.
8. Das Handstück drehen, bis die flache Oberfläche auf das radiale Zentrum der Biopsiehöhle zeigt. Die flache Oberfläche zeigt die Ausrichtung der Nadelöffnung an. (Abbildung A)
9. Einen Index-Ringverschluss einrasten lassen, um den Ring zu arretieren. (Abbildung D)
10. Das Handstück 1/8 Drehung gegen den Uhrzeigersinn drehen.
11. Die Halteklammer lösen und das Handstück zurückziehen, um es vom Ring zu trennen. (Abbildung D)
12. Das distale Ende des Einführgeräts durch den Ring in die Außenkanüle einsetzen.
13. Das Einführgerät behutsam vorschieben, bis es an der distalen Spitze der Außenkanüle anschlägt. Das System während der Platzierung des Markers mit der freien Hand festhalten, damit diese Position beibehalten wird.
14. Der weiße Richtungs Pfeil auf der Öffnungsanzeige muss in die gleiche Richtung weisen wie der weiße Punkt auf dem Ring. Hierdurch wird die Orientierung der Markeröffnung bzw. die Richtung der Markerplatzierung angezeigt.
15. Den Marker in Richtung auf das Zentrum der Biopsiehöhle einbringen, indem der Einsetzstempel mit dem Daumen vorgeschoben wird, bis er in der Öffnungsanzeige einrastet.
16. Nach einem hör- und fühlbaren Einrasten den Daumen vom weißen Stempel nehmen.
17. Den Index-Ringverschluss lösen.

STX-Anwendung (Fortsetzung)

18. Die Öffnungsanzeige um 180 Grad drehen.
19. Den Ring um 180 Grad drehen.
20. Einen Index-Ringverschluss einrasten lassen, um den Ring zu arretieren.
21. Einführgerät und Außenkanüle/Ring durch langsames Zurückschieben des Adapters um 20 mm zurückziehen.
22. Überprüfen, ob der Marker an der richtigen Stelle platziert wurde, bevor das Gerät entfernt wird.
23. Den Index-Ringverschluss lösen.
24. Einführgerät und Außenkanüle/Ring langsam als ganze Einheit aus der Brust entfernen und ordnungsgemäß entsorgen.
25. Druck auf die Brust langsam verringern.

Abbildung D: ATEC Handstück und STX-Adapter Beschreibungen



STX-Anwendung

ATEC Handstück, Verfahren mit Einführhilfe (nur 36-12 und 36-09)

1. Vor Gebrauch des ATEC TriMark-Biopsieentnahmestellen-Markierungssystems Schutzverpackung und Gerät überprüfen, um sicherzustellen, dass keine Transportschäden vorliegen. Das Gerät darf nicht verwendet werden, wenn die Verpackung offensichtlich beschädigt ist.
2. Das ATEC TriMark-Biopsieentnahmestellen-Markierungssystem mittels steriler Verfahrensweise vorsichtig aus seiner Schutzverpackung nehmen.

Hinweis: Den Spitzenschutz vor Verwendung des Geräts entfernen.

3. An der Konsole den Modus "Set Up" oder "Lavage" einstellen oder aktivieren.

STX-Anwendung (Fortsetzung)

- Die Biopsiehöhle vor Einbringung des Einführgeräts sorgfältig spülen.
 - Den Adapter bei Systemen mit einer 20-mm-Öffnung um 7 mm und bei Systemen mit einer 12-mm-Öffnung um 3 mm zurückziehen. Nun kann das System den Marker im axialen Zentrum der Biopsiehöhle platzieren. (Abbildung C)
 - Die Kochsalzlösungsleitung am proximalen Ende des Y-Ventils abnehmen.
 - Die Filterkammer vom proximalen Ende des Handstücks entfernen.
 - Den Gewebefilter aus der Filterkammer nehmen und durch den Filterkammerverschluss ersetzen.
 - Die Einführhilfe aus der Schutzverpackung entfernen.
 - Die Einführhilfe an der Filterklammer des Handstücks befestigen.
 - Das Handstück drehen, bis die flache Oberfläche auf das radiale Zentrum der Biopsiehöhle zeigt. Die flache Oberfläche zeigt die Ausrichtung der Nadelöffnung an. (Abbildung A)
 - Einen Index-Ringverschluss einrasten lassen, um das Handstück zu arretieren. (Abbildung D)
 - Das Einführgerät behutsam durch die Einführhilfe vorschieben, bis es an der distalen Spitze der Außenkanüle anschlägt. Das System während der Platzierung des Markers mit der freien Hand festhalten, damit sich dieses nicht bewegt.
 - Der weiße Richtungspfeil auf der Öffnungsanzeige muss in die gleiche Richtung weisen wie die flache Oberfläche des Handstücks. Hierdurch wird die Orientierung der Markeröffnung bzw. die Richtung der Markerplatzierung angezeigt.
 - Den Marker in Richtung auf das Zentrum der Biopsiehöhle einbringen, indem der Einsetzstempel mit dem Daumen vorgeschoben wird, bis er in der Öffnungsanzeige einrastet.
- Hinweis: Nach Einsetzen des Marker-Einführgeräts darf an der Konsole NICHT der Modus "Biopsie" aktiviert werden.
- Nach einem hör- und fühlbaren Einrasten den Daumen vom weißen Stempel nehmen.
 - Den Index-Ringverschluss lösen. (Abbildung D)
 - Die Öffnungsanzeige um 180 Grad drehen.
 - Das Handstück um 180 Grad drehen.
 - Einführgerät und Handstück durch langsames Zurückschieben des Adapters um 20 mm zurückziehen.
 - Überprüfen, ob der Marker an der richtigen Stelle platziert wurde, bevor das Gerät entfernt wird.
 - Die Halteklammer lösen. (Abbildung D)

STX-Anwendung (Fortsetzung)

23. Einführgerät und Handstück langsam als Einheit aus der Brust entfernen und ordnungsgemäß entsorgen.
24. Druck auf die Brust langsam verringern.

MRT-Anwendung

ATEC, Verfahren mit Einführschleuse (nur 13-MR)

1. Vor Gebrauch des ATEC TriMark-Biopsieentnahmestellen-Markierungssystems Schutzverpackung und Gerät überprüfen, um sicherzustellen, dass keine Transportschäden vorliegen. Das Gerät darf nicht verwendet werden, wenn die Verpackung offensichtlich beschädigt ist.
2. Das ATEC TriMark-Biopsieentnahmestellen-Markierungssystem mittels steriler Verfahrensweise vorsichtig aus seiner Schutzverpackung nehmen.

Hinweis: Den Spitzenschutz vor Verwendung des Geräts entfernen.

3. An der Konsole den Modus "Set Up" oder "Lavage" einstellen oder aktivieren.
4. Die Biopsiehöhle vor Einbringung des Einführgeräts sorgfältig spülen.
5. Die Kochsalzlösungsleitung am proximalen Ende des Y-Ventils abnehmen.
6. An der Konsole den Modus "Biopsie" einstellen oder aktivieren.
7. Das Handstück aus der Einführschleuse entfernen und ordnungsgemäß entsorgen.
8. Das distale Ende des Einführgeräts in die Einführschleuse setzen.
9. Das Einsatzgerät behutsam vorschieben, bis die Öffnungsanzeige den Ring der Einführschleuse berührt. Das System während der Platzierung des Markers mit der freien Hand festhalten, damit diese Position beibehalten wird.
10. Den weißen Richtungspfeil auf der Öffnungsanzeige ausfindig machen. Hierdurch wird die Orientierung der Markeröffnung bzw. die Richtung der Markerplatzierung angezeigt.
11. Die Öffnungsanzeige drehen, bis der weiße Richtungspfeil auf das radiale Zentrum der Biopsiehöhle zeigt. (Abbildung A)
12. Den Marker in Richtung auf das Zentrum der Biopsiehöhle einbringen, indem der Einsatzstempel mit dem Daumen vorgeschoben wird, bis er in der Öffnungsanzeige einrastet.
13. Nach einem hör- und fühlbaren Einrasten den Daumen vom weißen Stempel nehmen.
14. Die Öffnungsanzeige um 180 Grad drehen.
15. Das Einführgerät langsam aus der Brust entfernen und ordnungsgemäß entsorgen.
16. Überprüfen, ob der Marker an der richtigen Stelle platziert wurde, bevor die Einführschleuse entfernt wird.

Warnhinweise und Vorsichtsmaßnahmen

- Das ATEC TriMark-Einführgerät ist nicht für die Verwendung innerhalb der Öffnung eines MRT-Magneten empfohlen.
- Das ATEC TriMark Biopsieentnahmestellen-Markierungssystem ist nicht zur Verwendung bei Patienten mit Brustimplantaten empfohlen.
- Eingriffe mit dem ATEC TriMark dürfen nur von Ärzten durchgeführt werden, die über eine entsprechende Ausbildung verfügen und mit dem Verfahren vertraut sind. Vor der Durchführung von minimalinvasiven Eingriffen sollte die entsprechende medizinische Literatur zu Eingriffstechniken, Komplikationen und Risiken zu Rate gezogen werden.
- Dieses Gerät darf nur von Ärzten mit Schulung in offenen und perkutanen Biopsieeingriffen angewandt werden.
- **Rx Only** ArztVorsicht: Laut Bundesgesetz der USA darf dieses Gerät ausschließlich an einen Arzt oder auf dessen Anordnung verkauft werden.
- Der ATEC TriMark-Biopsieentnahmestellen-Marker muss in die während der Biopsie geschaffene Höhle eingeführt werden. Ein Einsatz in Gewebe außerhalb der Biopsiehöhle wird nicht empfohlen.
- Wenn das Einführgerät schwierig einzusetzen oder vom Biopsiegerät zu entfernen ist, keine übermäßige Kraft einsetzen. Übermäßige Kraftanwendung kann zu Schäden oder Brüchen am Einsatzgerät führen, wodurch ein Teil des Einsatzgeräts im Patienten zurückbleiben kann. Wenn das Einsatzgerät nicht leicht aus dem Biopsiegerät entfernt werden kann, müssen Einsatzgerät und Biopsiegerät als Einheit entfernt werden.
- Die relative Lage des Markers zu bekannten Orientierungspunkten kann sich bei der Mammografie nach anschließenden Brustkompressionen verändern.
- Das ATEC TriMark Biopsieentnahmestellen-Markierungssystem darf nach Einsetzen nicht neu positioniert oder herausgezogen werden.
- Vermehrte Hämatome in der Biopsiehöhle können zu einer Adhäsion des Einsatzgeräts und damit zu einem erhöhten Risiko führen, den Marker versehentlich herauszuziehen.
- Es muss darauf geachtet werden, dass die Kanüle nicht beschädigt wird. Der ATEC TriMark Biopsieentnahmestellen-Marker bzw. das distale Ende des Geräts darf nicht mit Personen oder Instrumenten in Kontakt kommen.
- Der implantierte ATEC TriMark-Biopsieentnahmestellen-Marker ist bedingt MRT-tauglich. Der implantierte ATEC TriMark-Biopsieentnahmestellen-Marker birgt für Patienten und Bedienpersonal kein zusätzliches Risiko durch Magnetkräfte, Drehmoment, Erhitzung, induzierte Spannungen oder Bewegung. Er kann jedoch die MRT-Bildqualität beeinträchtigen.
- Durch Firmen hergestellte bzw. vertriebene minimal invasive Instrumente und Zubehörteile, die nicht von Hologic, Inc., genehmigt wurden, sind u. U. nicht mit dem ATEC TriMark-Biopsieentnahmestellen-Markierungssystem kompatibel. Bei Anwendung derartiger Produkte kann es zu unerwarteten Ergebnissen und Verletzungen des Benutzers oder Patienten kommen.

Warnhinweise und Vorsichtsmaßnahmen (Fortsetzung)

- Instrumente oder Geräte, die mit Körperflüssigkeiten in Kontakt kommen, erfordern zur Verhinderung biologischer Verunreinigungen möglicherweise eine spezielle Entsorgung.
- Nach Einsetzen des Marker-Einführgeräts darf an der Konsole NICHT der Modus "Biopsie" aktiviert werden.
- Alle gebrauchten oder ungebrauchten Instrumente entsorgen, wenn diese geöffnet wurden.
- Das ATEC TriMark-Biopsieentnahmestellen-Markierungssystem nicht resterilisieren und/oder wiederverwenden. Eine Resterilisierung und/oder Wiederverwendung kann die Unversehrtheit des Geräts beeinträchtigen. Dies kann zu Störungen des Geräts und/oder zu Kreuzkontaminationen durch unsachgemäß gereinigte und sterilisierte Geräte führen.
- Wird keine Einführhilfe für 36-09- oder 36-12-Geräte verwendet, kann das Einführgerät beschädigt werden und das Gerät versagen.

Lieferart

Das ATEC TriMark-Biopsieentnahmestellen-Markierungssystem ist durch Gammastrahlen sterilisiert und für Gebrauch an einem einzelnen Patienten vorgeladen. Nach Gebrauch in einem geeigneten Behälter entsorgen.

Wie auf Schildern angegeben:

QUANTITY	<input type="text"/>
-----------------	----------------------

Anzahl enthaltener Instrumente

YYYY-MM-DD

Das Verfallsdatum wird wie folgt dargestellt:

YYYY steht für Jahr

MM steht für Monat

DD steht für Tag

Weitere Informationen

US-amerikanische und kanadische Kunden können sich zwecks weiterer Informationen über das ATEC TriMark Biopsieentnahmestellen-Markierungssystem an den Hologic-Kundendienst unter der Rufnummer 1-877-887-8767 oder der E-Mail-Adresse CSsupport@hologic.com wenden.

Internationale Kunden sollten den zuständigen Händler kontaktieren.

© 2014 Hologic, Inc. Hologic, ATEC und TriMark sind Marken und/oder eingetragene Marken von Hologic, Inc., in den USA und/oder anderen Ländern. Alle Rechte vorbehalten.

ATEC® TriMark®

Sistema Marcador do Local da Biopsia

Instruções de Utilização

Leia cuidadosamente todas as informações. O não cumprimento rigoroso das instruções fornecidas poderá dar origem a consequências cirúrgicas inesperadas.

Importante: Este folheto informativo destina-se a facultar instruções de utilização para o marcador do local da biopsia ATEC® TriMark®. Não se destina a consulta para técnicas cirúrgicas.

Após a conclusão do procedimento de biopsia mamária ATEC, o utilizador terá a opção de utilizar o sistema marcador do local da biopsia ATEC TriMark da Hologic, Inc.. Dependendo do tipo de aplicação (modalidade de imagiologia) utilizado para orientar a biopsia mamária, o utilizador seguirá um dos processos descritos para a utilização do sistema marcador do local da biopsia ATEC TriMark. As três modalidades de imagiologia utilizadas para orientar a colocação do sistema marcador do local da biopsia ATEC TriMark incluem ultra-som (U/S), imagiologia estereotáxica (STX) e imagiologia por ressonância magnética (IRM). Existem dois métodos de colocação para o sistema marcador do local da biopsia ATEC TriMark associados ao U/S e à STX. Estes são descritos em separado.

Indicações

(Códigos do Produto TriMarkTD 13-12, TriMarkTD-2S-13-12, TriMarkTD 13-09, TriMarkTD-2S-13-09, TriMarkTD 13-MR, TriMarkTD-2S-13-MR, TriMarkTD 36-12, TriMarkTD-2S-36-12, TriMarkTD 36-09 e TriMarkTD-2S-36-09.)

O sistema marcador do local da biopsia ATEC TriMark está indicado para marcar um local de biopsia aberta ou percutânea, para marcar radiograficamente o local da biopsia.

Contra-indicações

Nenhuma conhecida.

Descrição do Dispositivo

O sistema marcador do local da biopsia ATEC TriMark é um sistema esterilizado de utilização única, constituído por um marcador de titânio e um dispositivo de colocação. O dispositivo de colocação é constituído por uma cânula rígida, êmbolo, vareta de pressão rígida e pega. O marcador do local da biopsia ATEC TriMark está localizado na extremidade distal do dispositivo de colocação. O sistema marcador do local da biopsia ATEC TriMark pode ser utilizado com orientação imagiológica (por ex., imagiologia estereotáxica, ultra-som e IRM). O marcador de titânio é classificado como condicionado em função da ressonância magnética (IRM) a uma força do campo de 3,0 Tesla ou inferior. O marcador, quando presente num paciente submetido a um procedimento de IRM a 3,0 Tesla ou menos, não irá criar

Descrição do Dispositivo (Cont)

um perigo ou risco adicional no que respeita a interacções relacionadas com campos magnéticos, deslocação/desalojamento ou aquecimento.

Os procedimentos de segurança para procedimentos IRM deverão ser efectuados de acordo com as seguintes directrizes:

Artefactos RMI

Os aparelhos para o marcador do local da biopsia ATEC TriMark foram classificados, utilizando um sistema de IRM de 1,5 Tesla e sequências de impulsos “spin echo” e gradiente-eco ponderadas em T1. Com base nesta informação, a qualidade de imagiologia poderá ficar ligeiramente comprometida se a área de interesse se localizar exactamente na mesma área que o marcador do local da biopsia ATEC TriMark.

O tamanho do aparelho depende do tipo de sequência de impulsos utilizado para a imagiologia (maior em sequências de impulsos gradiente-eco e menor em sequências de impulsos “spin echo” e “fast spin echo”), da direcção da codificação da frequência (maior se a direcção da codificação da frequência for perpendicular ao dispositivo e menor se for paralela ao dispositivo) e da dimensão do campo de visão. Os erros de posicionamento e as perturbações nas imagens serão menores em sistemas de IRM com forças de campo magnético estático mais baixas a utilizar os mesmos parâmetros de imagiologia que aqueles que funcionam com forças de campo magnético estático mais elevadas.

Compatibilidade

U/S			
Aproximação	Medida do Disparador	Acesso ao Local da Biopsia	Dispositivo TriMark™ ATEC
Método Sem Introdutor	9G	ND	TriMark TD 13-09
		ND	TriMark TD-2S-13-09
	12G	ND	TriMark TD 13-12
		ND	TriMark TD-2S-13-12
Método de Introdução da Cânula Exterior	9G	Cânula Exterior ATEC 0909-20	TriMark TD 13-09
		Cânula Exterior ATEC 0909-12	
		Cânula Exterior ATEC 0912-20	TriMark TD 13-12
		Cânula Exterior ATEC 0912-12	
	12G	Cânula Exterior ATEC 1209-20	TriMark TD 13-12
		Cânula Exterior ATEC 1212-20	TriMark TD-2S-13-12
STX			
Método de abordagem	Calibrador de mano	Acesso ao sitio biopsia	Dispositivo TriMark™ de ATEC
Método de Introdução da Cânula Exterior	9G	Cânula Exterior ATEC 0909-20	TriMark TD 13-09
		Cânula Exterior ATEC 0909-12	
		Cânula Exterior ATEC 0912-20	TriMark TD 13-12
		Cânula Exterior ATEC 0912-12	
	12G	Cânula Exterior ATEC 0909-20	TriMark TD 13-12
		Cânula Exterior ATEC 0912-20	TriMark TD-2S-13-12
Método de Introdução do Disparador ATEC	9G	Disparador ATEC 0909-20	TriMark TD 36-09
		Disparador ATEC 0909-12	
		Disparador ATEC 0912-20	TriMark TD 36-12
		Disparador ATEC 0914-20	
	12G	Disparador ATEC 1209-20	TriMark TD 36-12
		Disparador ATEC 1212-20	TriMark TS-2S-36-12
MRI			
Método de abordagem	Calibrador de mano	Acesso ao sitio biopsia	Dispositivo TriMark™ de ATEC
Método com a Película do Introdutor	9G	ILS 0914-20	TriMark TD 13-MR
		ILS 0914-20-0B	
		ILS 0914-12	TriMark TD 13-MR
		ILS 0914-12-0B	

Aplicação de Ecográfica

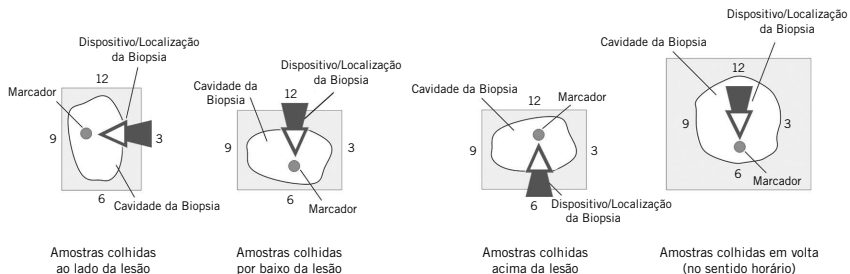
Método Sem Introdutor (apenas 13-12 e 13-09)

1. Antes de utilizar o sistema marcador do local da biopsia ATEC TriMark, inspecione a embalagem protectora e o dispositivo para confirmar se não apresentam danos eventualmente ocorridos durante o transporte. Se a embalagem aparentar ter sido danificada, não utilize o dispositivo.
2. Retire cuidadosamente o sistema marcador do local da biopsia ATEC TriMark da sua embalagem protectora, utilizando uma técnica esterilizada.

Nota: Retire o protector da extremidade antes de utilizar o dispositivo.

3. Ligue ou active a consola no modo “Set Up” (Configurar) ou “Lavage” (Lavagem).
4. Lave cuidadosamente a cavidade da biopsia antes de inserir o dispositivo de colocação.
5. Desligue a linha de solução salina na extremidade proximal da válvula em Y.
6. Ligue ou active a consola no modo “Biopsy” (Biopsia).
7. Retire a peça de mão da mama e elimine conforme apropriado.
8. Coloque a extremidade distal do dispositivo de colocação no trato da agulha que foi criado pela cânula exterior.
9. Faça avançar cuidadosamente o dispositivo de colocação até à localização de colocação do marcador pretendida.
10. Localize a seta direccional branca no indicador da abertura. Esta mostra a orientação da abertura do marcador e a direcção que o marcador irá tomar.
11. Rode o indicador da abertura de forma a que a seta branca fique voltada para o centro radial da cavidade da biopsia. (Figura A)
12. Coloque o marcador na direcção do centro da cavidade da biopsia, fazendo avançar o êmbolo de colocação com o seu polegar até este engatar no indicador da abertura.
13. Após o clique audível e táctil, solte o seu polegar do êmbolo branco.
14. Rode o indicador da abertura 180 graus.
15. Verifique a colocação e o correcto posicionamento do marcador, antes de retirar o dispositivo.
16. Retire lentamente o dispositivo de colocação da mama e elimine conforme apropriado.

Figura A: Centro Radial da Cavidade da Biopsia



Aplicação de Ecográfica

Método de Introdução da Cânula Exterior ATEC® (apenas 13-12 e 13-09)

1. Antes de utilizar o sistema marcador do local da biopsia ATEC TriMark, inspecione a embalagem protectora e o dispositivo para confirmar se não apresentam danos eventualmente ocorridos durante o transporte. Se a embalagem aparentar ter sido danificada, não utilize o dispositivo.
2. Retire cuidadosamente o sistema marcador do local da biopsia ATEC TriMark da sua embalagem protectora, utilizando uma técnica esterilizada.

Nota: Retire o protector da extremidade antes de utilizar o dispositivo.

3. Ligue ou active a consola no modo “Set Up” (Configurar) ou “Lavage” (Lavagem).
4. Lave cuidadosamente a cavidade da biopsia antes de inserir o dispositivo de colocação.
5. Desligue a linha de solução salina na extremidade proximal da válvula em Y e descarne a linha até ao encaixe.
6. Segurando firmemente no encaixe com uma mão, rode a peça de mão 1/8 de volta para a esquerda e puxe-a para a separar da cânula exterior.
7. Puxe o encaixe 7 mm para trás para dispositivos com uma abertura de 20 mm ou 3 mm para dispositivos com uma abertura de 12 mm. Esta acção irá posicionar o sistema para colocar o marcador no centro axial da cavidade da biopsia. (Figura C)
8. Rode o encaixe de forma a que o ponto branco que indica a posição de abertura da agulha fique voltado para o centro radial da cavidade da biopsia. (Figura A)
9. Coloque a extremidade distal do dispositivo de colocação na cânula exterior através do encaixe.
10. Faça avançar cuidadosamente o dispositivo de colocação até que este atinja um batente definitivo na extremidade distal da cânula exterior. Certifique-se de que esta posição é mantida durante o processo de colocação do marcador, fixando-a com a sua mão livre.

Aplicação de Ecográfica (Cont)

11. Localize a seta direccional branca no indicador da abertura e alinhe-a com o ponto branco do encaixe. Esta mostra a orientação da abertura do marcador e a direcção que o marcador irá tomar.
12. Coloque o marcador na direcção do centro da cavidade da biopsia, fazendo avançar o êmbolo de colocação com o seu polegar até este engatar no indicador da abertura.
13. Após o clique audível e táctil, solte o seu polegar do êmbolo branco.
14. Rode o indicador da abertura 180 graus.
15. Rode o encaixe 180 graus.
16. Verifique a colocação e o correcto posicionamento do marcador, antes de retirar o dispositivo.
17. Retire lentamente o dispositivo de colocação e a cânula exterior/encaixe da mama como uma só unidade e elimine conforme apropriado.

Figura B: Descrições do sistema TriMark ATEC

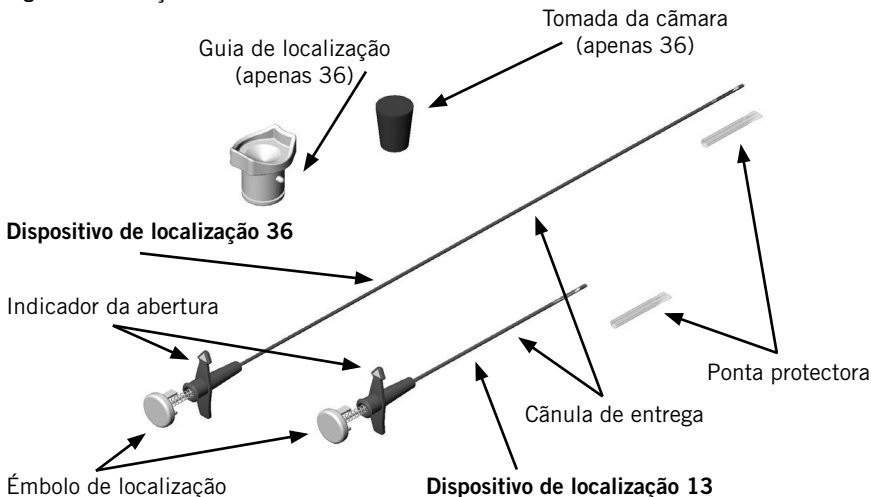
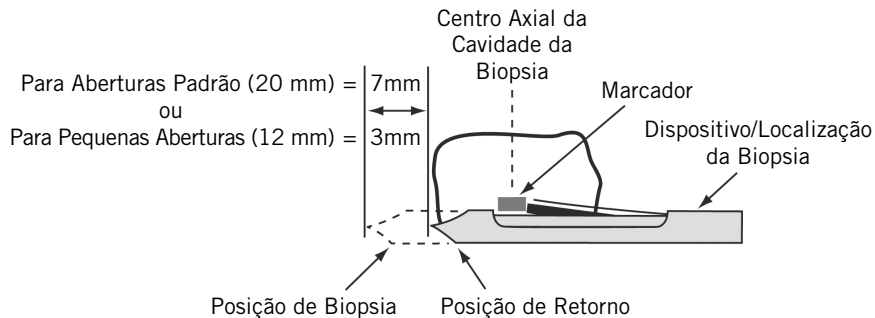


Figura C: Centro Axial da Cavidade da Biopsia



Aplicação de STX

Método de Introdução da Cânula Exterior ATEC® (apenas 13-12 e 13-09)

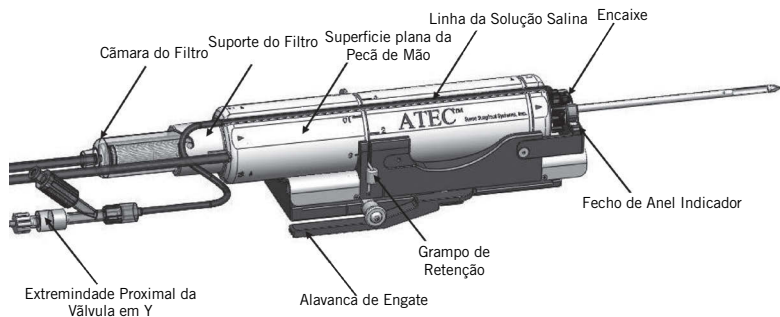
1. Antes de utilizar o sistema marcador do local da biópsia ATEC TriMark, inspecione a embalagem protectora e o dispositivo para confirmar se não apresentam danos eventualmente ocorridos durante o transporte. Se a embalagem aparentar ter sido danificada, não utilize o dispositivo.
2. Retire cuidadosamente o sistema marcador do local da biópsia ATEC TriMark da sua embalagem protectora, utilizando uma técnica esterilizada.

Nota: Retire o protector da extremidade antes de utilizar o dispositivo.

3. Ligue ou active a consola no modo “Set Up” (Configurar) ou “Lavage” (Lavagem).
4. Lave cuidadosamente a cavidade da biópsia antes de inserir o dispositivo de colocação.
5. Puxe o adaptador 7 mm para trás para dispositivos com uma abertura de 20 mm ou 3 mm para dispositivos com uma abertura de 12 mm. Esta acção irá posicionar o sistema para colocar o marcador no centro axial da cavidade da biópsia. (Figura C)
6. Rode a peça de mão de forma a que a superfície plana fique voltada para as 12h.
7. Desligue a linha de solução salina na extremidade proximal da válvula em Y e descarne a linha até ao encaixe.
8. Rode a peça de mão de forma a que a superfície plana fique voltada para o centro radial da cavidade da biópsia. A superfície plana mostra para onde está voltada a abertura da agulha. (Figura A)
9. Engate um fecho de anel indicador para manter o encaixe na sua posição. (Figura D)
10. Rode a peça de mão 1/8 de volta para a esquerda.

11. Solte o grampo de retenção e puxe a peça de mão para a separar do encaixe. (Figura D)
12. Coloque a extremidade distal do dispositivo de colocação na cânula exterior através do encaixe.
13. Faça avançar cuidadosamente o dispositivo de colocação até que este atinja um batente definitivo na extremidade distal da cânula exterior. Certifique-se de que esta posição é mantida durante o processo de colocação do marcador, fixando-a com a sua mão livre.
14. Localize a seta direccional branca no indicador da abertura e alinhe-a com o ponto branco do encaixe. Esta mostra a orientação da abertura do marcador e a direcção que o marcador irá tomar.
15. Coloque o marcador na direcção do centro da cavidade da biopsia, fazendo avançar o êmbolo de colocação com o seu polegar até este engatar no indicador da abertura.
16. Após o clique audível e táctil, solte o seu polegar do êmbolo branco.
17. Desengate o fecho de anel indicador.
18. Rode o indicador da abertura 180 graus.
19. Rode o encaixe 180 graus.
20. Engate um fecho de anel indicador para manter o encaixe na sua posição.
21. O recuo inicial do dispositivo de colocação e da cânula exterior/encaixe deve ser controlado, deslocando lentamente o adaptador 20 mm para trás.
22. Verifique a colocação e o correcto posicionamento do marcador, antes de retirar o dispositivo.
23. Desengate o fecho de anel indicador.
24. Retire lentamente o dispositivo de colocação e a cânula exterior/encaixe da mama como uma só unidade e elimine conforme apropriado.
25. Descomprima lentamente a mama.

Figura D: Descrições do Disparador e Adaptador de STX ATEC®



Aplicação de STX

Método de Introdução do Disparador ATEC® (apenas 36-12 e 36-09)

1. Antes de utilizar o sistema marcador do local da biopsia ATEC TriMark, inspecione a embalagem protectora e o dispositivo para confirmar se não apresentam danos eventualmente ocorridos durante o transporte. Se a embalagem aparentar ter sido danificada, não utilize o dispositivo.
2. Retire cuidadosamente o sistema marcador do local da biopsia ATEC TriMark da sua embalagem protectora, utilizando uma técnica esterilizada.

Nota: Retire o protector da extremidade antes de utilizar o dispositivo.

3. Ligue ou active a consola no modo “Set Up” (Configurar) ou “Lavage” (Lavagem).
4. Lave cuidadosamente a cavidade da biopsia antes de inserir o dispositivo de colocação.
5. Puxe o adaptador 7 mm para trás para dispositivos com uma abertura de 20 mm ou 3 mm para dispositivos com uma abertura de 12 mm. Esta acção irá posicionar o sistema para colocar o marcador no centro axial da cavidade da biopsia. (Figura C)
6. Desligue a linha de solução salina na extremidade proximal da válvula em Y.
7. Retire a câmara do filtro da extremidade proximal da peça de mão.
8. Retire o filtro de tecido da câmara do filtro e substitua-o pelo bujão da câmara do filtro.
9. Retire a guia de colocação da embalagem protectora.
10. Fixe a guia de colocação no suporte do filtro da peça de mão.
11. Rode a peça de mão de forma a que a superfície plana fique voltada para o centro radial da cavidade da biopsia. A superfície plana mostra para onde está voltada a abertura da agulha. (Figura A)
12. Engate um fecho de anel indicador para manter a peça de mão na sua posição. (Figura D)
13. Faça avançar cuidadosamente o dispositivo de colocação através da guia de colocação até que atinja um batente definitivo na extremidade distal da cânula exterior. Certifique-se de que este engate é mantido durante o processo de colocação do marcador, fixando-o com a sua mão livre.
14. Localize a seta direcciona branca no indicador da abertura e alinhe-a com a superfície plana da peça de mão. Esta mostra a orientação da abertura do marcador e a direcção que o marcador irá tomar.
15. Coloque o marcador na direcção do centro da cavidade da biopsia, fazendo avançar o êmbolo de colocação com o seu polegar até este engatar no indicador da abertura.

Nota: Depois de introduzir o dispositivo de colocação do marcador, a consola NÃO deverá ser colocada novamente no modo “Biopsy” (Biopsia).

16. Após o clique audível e táctil, solte o seu polegar do êmbolo branco.

Aplicação de STX (Cont)

17. Desengate o fecho de anel indicador. (Figura D)
18. Rode o indicador da abertura 180 graus.
19. Rode a peça de mão 180 graus.
20. O recuo inicial do dispositivo de colocação e da peça de mão deve ser controlado, deslocando lentamente o adaptador 20 mm para trás.
21. Verifique a colocação e o correcto posicionamento do marcador, antes de retirar o dispositivo.
22. Solte o grampo de retenção. (Figura D)
23. Retire lentamente o dispositivo de colocação e a peça de mão da mama como uma só unidade e elimine conforme apropriado.
24. Descomprima lentamente a mama.

Aplicação de RMI

Método da Película Introdutora ATEC® (apenas 13-MR)

1. Antes de utilizar o sistema marcador do local da biopsia ATEC TriMark, inspeccione a embalagem protectora e o dispositivo para confirmar se não apresentam danos eventualmente ocorridos durante o transporte. Se a embalagem aparentar ter sido danificada, não utilize o dispositivo.
2. Retire cuidadosamente o sistema marcador do local da biopsia ATEC TriMark da sua embalagem protectora, utilizando uma técnica esterilizada.

Nota: Retire o protector da extremidade antes de utilizar o dispositivo.

3. Ligue ou active a consola no modo “Set Up” (Configurar) ou “Lavage” (Lavagem).
4. Lave cuidadosamente a cavidade da biopsia antes de inserir o dispositivo de colocação.
5. Desligue a linha de solução salina na extremidade proximal da válvula em Y.
6. Ligue ou active a consola no modo “Biopsy” (Biopsia).
7. Retire a peça de mão da Bainha Introdutora e elimine conforme apropriado.
8. Introduza a extremidade distal do dispositivo de colocação através da Bainha Introdutora.
9. Faça avançar cuidadosamente o dispositivo de colocação até que o indicador da abertura entre em contacto com o encaixe da Bainha Introdutora. Certifique-se de que esta posição é mantida durante o processo de colocação do marcador, fixando-a com a sua mão livre.
10. Localize a seta direcciona branca no indicador da abertura. Esta mostra a orientação da abertura do marcador e a direcção que o marcador irá tomar.

Aplicação de RMI (Cont)

11. Rode o indicador da abertura de forma a que a seta branca fique voltada para o centro radial da cavidade da biopsia. (Figura A)
12. Coloque o marcador na direcção do centro da cavidade da biopsia, fazendo avançar o êmbolo de colocação com o seu polegar até este engatar no indicador da abertura.
13. Após o clique audível e táctil, solte o seu polegar do êmbolo branco.
14. Rode o indicador da abertura 180 graus.
15. Retire lentamente o dispositivo de colocação da mama e elimine conforme apropriado.
16. Verifique a colocação e o correcto posicionamento do marcador, antes de retirar a Bainha Introdutora.

Advertências e Precauções

- O dispositivo de colocação ATEC TriMark não é recomendado para utilização no interior do canal de um íman de IRM (imagiologia por ressonância magnética).
- O sistema marcador do local da biopsia ATEC TriMark não é recomendado para utilização em pacientes com implantes mamários.
- O procedimento ATEC TriMark deverá ser executado apenas por médicos com formação adequada e familiarizados com este procedimento. Consulte a literatura médica relativa a técnicas, complicações e riscos, antes de executar qualquer procedimento minimamente invasivo.
- Este dispositivo deverá ser utilizado exclusivamente por médicos experientes em procedimentos de biopsia aberta ou percutânea.
- **Rx Only** Atenção: A lei federal (EUA) só permite a venda deste dispositivo sob receita médica.
- O marcador do local da biopsia ATEC TriMark deverá ser colocado na cavidade criada durante o procedimento de biopsia. Não é recomendada a colocação em tecidos fora da cavidade da biopsia.
- Se for difícil introduzir ou retirar o dispositivo de colocação do dispositivo de biopsia, não exerça força excessiva. A força excessiva pode provocar danos ou a quebra do dispositivo de colocação, o que poderá levar a que uma parte do dispositivo de colocação fique depositada no paciente. Se o dispositivo de colocação for difícil de retirar do dispositivo de biopsia, retire o dispositivo de colocação e o dispositivo de biopsia como uma só unidade.
- A posição do marcador relativamente a pontos de referência estabelecidos poderá alterar-se sob mamografia após compressões mamárias subsequentes.
- O marcador do local da biopsia ATEC TriMark não se destina a ser reposicionado nem recapturado após a colocação.
- Hematoma excessivo no interior da cavidade da biopsia poderá dar origem à aderência do marcador ao dispositivo de colocação, aumentando o risco de arrastamento e extracção do marcador.

Advertências e Precauções (Continuação)

- Deverão ser envidados todos os esforços no sentido de não danificar a cânula. Evite o contacto do operador ou do instrumento com o marcador do local da biopsia ATEC TriMark ou com a extremidade distal do dispositivo de colocação.
- O marcador do local da biopsia ATEC TriMark implantado é condicionado em função da IRM (imagiologia por ressonância magnética). O marcador do local da biopsia ATEC TriMark implantado não apresenta qualquer risco adicional para o paciente ou para o operador decorrente de forças magnéticas, torção, aquecimento, tensões induzidas ou movimento, mas pode afectar a qualidade da imagem da IRM.
- Os instrumentos e acessórios minimamente invasivos, fabricados ou distribuídos por empresas não autorizadas pela Hologic, Inc., poderão não ser compatíveis com o sistema marcador do local da biopsia ATEC TriMark. A utilização desses produtos pode originar resultados inesperados e eventuais lesões no paciente ou no utilizador.
- Os instrumentos ou dispositivos que tenham estado em contacto com fluidos corporais podem exigir um tratamento de eliminação especial para evitar contaminação biológica.
- Depois de introduzir o dispositivo de colocação do marcador, a consola NÃO deverá ser colocada no modo “Biopsy” (Biopsia).
- Elimine todos os instrumentos abertos, quer tenham ou não sido utilizados.
- Não efectue nova esterilização e/ou não reutilize o sistema marcador do local da biopsia ATEC TriMark. A nova esterilização e/ou reutilização poderão comprometer a integridade do instrumento. Tal poderá originar riscos potenciais de falha do funcionamento pretendido do dispositivo e/ou contaminação cruzada associada à utilização de dispositivos limpos e esterilizados de forma inadequada.
- Se a guia de colocação não for utilizada para os dispositivos 36-09 ou 36-12, poderão ocorrer danos no dispositivo de colocação, levando a uma avaria do dispositivo.

Como é Entregue

O sistema marcador do local da biopsia ATEC TriMark é esterilizado por radiação gama e fornecido pré-carregado para utilização num único paciente. Após a utilização, elimine para um recipiente adequado.

Conforme Identificado nas Etiquetas:

QUANTITY

Número de Dispositivos Incluídos.

YYYY-MM-DD

O prazo de validade é representado por:

YYYY representa o ano

MM representa o mês

DD representa o dia

Para Obter mais Informação

Para obter mais informações sobre o sistema marcador do local da biopsia ATEC TriMark, os clientes nos EUA e Canadá poderão contactar o Apoio ao Cliente da Hologic através do número 1-877-887-8767 ou do e-mail CSupport@hologic.com.

Os clientes internacionais devem contactar o seu distribuidor local.

Copyright © 2014 Hologic, Inc. Hologic, ATEC e TriMark são marcas comerciais e/ou marcas comerciais registadas da Hologic, Inc. nos Estados Unidos e/ou noutros países. Todos os direitos reservados.

ATEC® TriMark®

Sistema di identificazione del sito bioptico **Istruzioni per l'uso**

Leggere attentamente tutte le informazioni. La mancata osservanza di queste istruzioni può causare conseguenze chirurgiche imprevedibili.

Importante: questo inserto fornisce le Istruzioni per l'uso del sistema di identificazione del sito bioptico ATEC® TriMark®. Non deve essere utilizzato come riferimento per le tecniche chirurgiche.

Dopo aver completato la procedura di biopsia mammaria ATEC, l'utente potrà usare il sistema di identificazione del sito bioptico ATEC TriMark di Hologic, Inc. In base al tipo di applicazione (modalità di imaging) usata per guidare la biopsia mammaria, l'utente seguirà uno dei processi qui indicati per l'uso del sistema di identificazione del sito bioptico ATEC TriMark. Le tre modalità di imaging usate per guidare il dispiegamento del sistema di identificazione del sito bioptico ATEC TriMark sono l'ecografia (U/S), la stereotassi (STX) e l'imaging a risonanza magnetica (MRI). L'ecografia e la stereotassi prevedono due possibili modalità di dispiegamento del sistema di identificazione del sito bioptico ATEC TriMark, qui descritte in paragrafi separati.

Indicazioni

(Codici prodotto TriMarkTD 13-12, TriMarkTD-2S-13-12, TriMarkTD 13-09, TriMarkTD-2S-13-09, TriMarkTD 13-MR, TriMarkTD-2S-13-MR, TriMarkTD 36-12, TriMarkTD-2S-36-12, TriMarkTD 36-09 e TriMarkTD-2S-36-09.)

Il sistema di identificazione del sito bioptico ATEC TriMark è indicato per contrassegnare un sito bioptico percutaneo o a cielo aperto, per contrassegnarne radiograficamente la posizione.

Controindicazioni

Nessuna nota.

Descrizione del Dispositivo

Il sistema di identificazione del sito bioptico ATEC TriMark è sterile e monouso, ed è composto da un marker in titanio e da un dispositivo di dispiegamento. Il dispositivo di dispiegamento è formato da una cannula rigida, un pistoncino, un'asta rigida e un'impugnatura. Il marker del sito bioptico ATEC TriMark si trova sull'estremità distale del dispositivo di dispiegamento. Il sistema di identificazione del sito bioptico ATEC TriMark può essere usato sotto guida visiva (ad esempio, stereotassica, ecografica e MRI). Il marker in titanio è classificato a compatibilità RM condizionata con forze di campo non superiori a 3,0 Tesla. In una

Descrizione del Dispositivo (Segue)

paziente sottoposta a una procedura di MRI con forza di campo non superiore a 3,0 Tesla, il marker non genera pericoli o rischi aggiuntivi dovuti a interazioni con il campo magnetico, movimento/migrazione oppure riscaldamento.

Attuare le procedure di sicurezza per la risonanza magnetica (RMI) attenendosi alle linee guida riportate di seguito.

Artefatti RMN

Gli artefatti prodotti dal marker del sito bioptico ATEC TriMark sono stati caratterizzati utilizzando un sistema MRI da 1,5 Tesla mediante sequenze di impulso T1 pesate, di tipo spin-echo e gradient-echo. In base a queste informazioni, la qualità dell'immagine potrebbe risultare lievemente compromessa se l'area di interesse corrisponde esattamente all'area del marker del sito bioptico ATEC TriMark.

La dimensione dell'artefatto dipende dal tipo di sequenza di impulsi utilizzata per l'imaging (maggiore per le sequenze di impulsi gradient-echo e minore per le sequenze spin-echo e spin-echo veloci), dalla direzione di codifica della frequenza (maggiore se la direzione è perpendicolare al dispositivo e minore se è parallela) e dalla dimensione del campo visivo. Se si utilizzano gli stessi parametri di imaging, gli errori di posizione e gli artefatti sulle immagini RMI riscontrati con campi magnetici statici di bassa intensità sono minori di quelli evidenziati con campi magnetici statici di elevata intensità.

Compatibilità

U/S			
Approccio	Gauge del manipolo	Accesso alla sede bioptica	Dispositivo ATEC TriMark™
Metodo senza introduttore	9G	NA	TriMark TD 13-09
		NA	TriMark TD-2S-13-09
	12G	NA	TriMark TD 13-12
		NA	TriMark TD-2S-13-12
Metodo dell'introduttore con cannula esterna ATEC®	9G	Cannula esterna ATEC 0909-20	TriMark TD 13-09 TriMark TD-2S-13-09
		Cannula esterna ATEC 0909-12	
		Cannula esterna ATEC 0912-20	
		Cannula esterna ATEC 0912-12	
	12G	Cannula esterna ATEC 1209-20	TriMark TD 13-12
		Cannula esterna ATEC 1212-20	TriMark TD-2S-13-12
STX			
Approccio	Gauge del manipolo	Accesso alla sede bioptica	Dispositivo ATEC TriMark™
Metodo dell'introduttore con cannula esterna ATEC®	9G	Cannula esterna ATEC 0909-20	TriMark TD 13-09
		Cannula esterna ATEC 0909-12	
		Cannula esterna ATEC 0912-20	
		Cannula esterna ATEC 0912-12	
	12G	Cannula esterna ATEC 1209-20	TriMark TD 13-12
		Cannula esterna ATEC 1212-20	TriMark TD-2S-13-12
Metodo dell'introduttore con manipolo ATEC®	9G	manipolo ATEC 0909-20	TriMark TD 36-09
		manipolo ATEC 0909-12	
		manipolo ATEC 0912-20	
		manipolo ATEC 0912-12	
	12G	manipolo ATEC 0914-20	TriMark TD-2S-36-09
		manipolo ATEC 1209-20	
		manipolo ATEC 1209-12	
		manipolo ATEC 1212-20	
MRI			
Approccio	Gauge del manipolo	Accesso alla sede bioptica	Dispositivo ATEC TriMark™
Metodo della guaina di introduzione ATEC®	9G	ILS 0914-20	TriMark TD 13-MR TriMark TD-2S-13-MR
		ILS 0914-20-OB	
		ILS 0914-12	
		ILS 0914-12-OB	

Ecografia

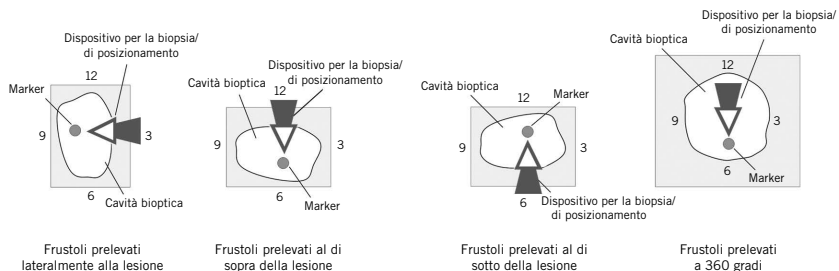
Metodo Senza Introduttore (solo 13-12 e 13-09)

1. Prima di utilizzare il sistema di identificazione del sito bioptico ATEC TriMark, controllare la confezione e il dispositivo stesso per escludere danni insorti durante la spedizione. Se si sospetta che la confezione sia stata manomessa, non usare il dispositivo.
2. Rimuovere con attenzione il sistema di identificazione del sito bioptico ATEC TriMark dalla confezione usando una tecnica sterile.

Nota: rimuovere la protezione della punta prima di utilizzare il dispositivo.

3. Accendere o attivare la console in modalità "Set Up" o "Lavage".
4. Irrigare a fondo la cavità bioptica prima di inserire il dispositivo di dispiegamento.
5. Scollegare la linea della soluzione fisiologica all'estremità prossimale della valvola a Y.
6. Accendere o attivare la console in modalità "Biopsy".
7. Rimuovere il manipolo dalla mammella e smaltirlo correttamente.
8. Posizionare l'estremità distale del dispositivo di dispiegamento nella traiettoria dell'ago creata dalla cannula esterna.
9. Far avanzare con attenzione il dispositivo di dispiegamento fino alla posizione prescelta per il dispiegamento del marker.
10. Individuare la freccia bianca direzionale sull'indicatore dell'apertura, che ne indica l'orientamento e la direzione in cui il marker sarà dispiegato.
11. Ruotare l'indicatore dell'apertura in modo che la freccia bianca sia rivolta verso il centro radiale della cavità bioptica (Figura A).
12. Dispiegare il marker verso il centro della cavità bioptica facendo avanzare il pistoncino di dispiegamento con il pollice fino a quando si attaccherà sull'indicatore dell'apertura.
13. Dopo aver udito il clic e averlo confermato al tatto, sollevare il pollice dal pistoncino bianco.
14. Ruotare l'indicatore dell'apertura di 180 gradi.
15. Controllare che il marker sia dispiegato e posizionato correttamente prima di rimuovere il dispositivo.
16. Rimuovere il dispositivo di dispiegamento lentamente dalla mammella e smaltirlo correttamente.

Figura A: Centro Assiale Della Cavità Bioptica



Ecografia

Metodo Dell'introduttore con Cannula Esterna ATEC® (solo 13-12 e 13-09)

1. Prima di utilizzare il sistema di identificazione del sito bioptico ATEC TriMark, controllare la confezione e il dispositivo stesso per escludere danni insorti durante la spedizione. Se si sospetta che la confezione sia stata manomessa, non usare il dispositivo.
2. Rimuovere con attenzione il sistema di identificazione del sito bioptico ATEC TriMark dalla confezione usando una tecnica sterile.

Nota: rimuovere la protezione della punta prima di utilizzare il dispositivo.

3. Accendere o attivare la console in modalità "Set Up" o "Lavage".
4. Irrigare a fondo la cavità bioptica prima di inserire il dispositivo di dispiegamento.
5. Scollegare la linea della soluzione fisiologica all'estremità prossimale della valvola a Y e toglierla fino al raccordo.
6. Mantenendo saldamente il raccordo con una mano, ruotare il manopolo di 1/8 di giro in senso antiorario e tirare all'indietro per separarlo dalla cannula esterna.
7. Tirare indietro il raccordo da 7 mm per dispositivi con apertura da 20 mm o da 3 mm per dispositivi con apertura da 12 mm. In questo modo il sistema sarà posizionato per dispiegare il marker nel centro assiale della cavità bioptica (Figura C).
8. Ruotare il raccordo in modo che il punto bianco che indica la posizione dell'apertura dell'ago punti verso il centro radiale della cavità bioptica (Figura A).
9. Posizionare l'estremità distale del dispositivo di dispiegamento nella cannula esterna attraverso il raccordo.
10. Far avanzare con attenzione il dispositivo di dispiegamento fino a quando si bloccherà in modo definitivo all'estremità distale della cannula esterna. Assicurarsi di mantenere questa posizione durante il dispiegamento del marker mantendendolo in posizione con la mano libera.

Ecografia (Segue)

11. Individuare la freccia bianca direzionale sull'indicatore dell'apertura e allinearla con il punto bianco sul raccordo, che ne indica l'orientamento e la direzione in cui il marker sarà dispiegato.
12. Dispiegare il marker verso il centro della cavità biotptica facendo avanzare il pistoncino di dispiegamento con il pollice fino a quando si attaccherà sull'indicatore dell'apertura.
13. Dopo aver udito il clic e averlo confermato al tatto, sollevare il pollice dal pistoncino bianco.
14. Ruotare l'indicatore dell'apertura di 180 gradi.
15. Ruotare il raccordo di 180 gradi.
16. Controllare che il marker sia dispiegato e posizionato correttamente prima di rimuovere il dispositivo.
17. Rimuovere dalla mammella lentamente e contemporaneamente la cannula esterna e il raccordo, quindi smaltirli correttamente.

Figura B: ATEC TriMark Descriptions

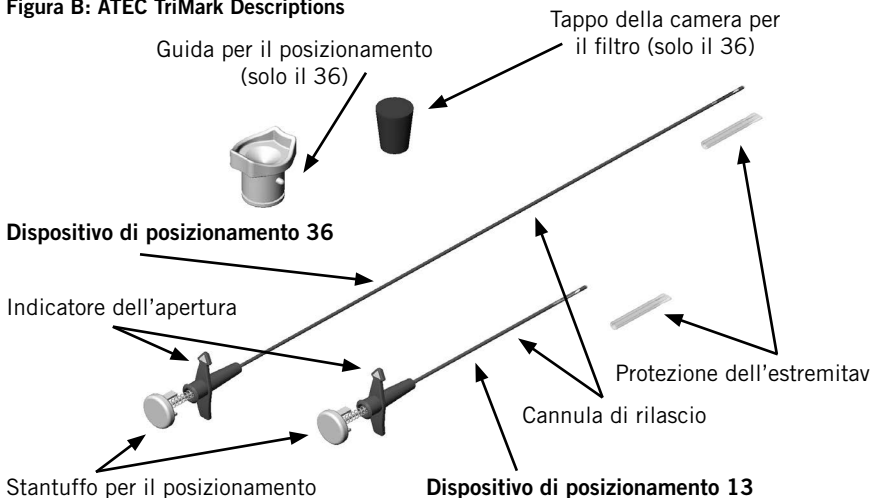
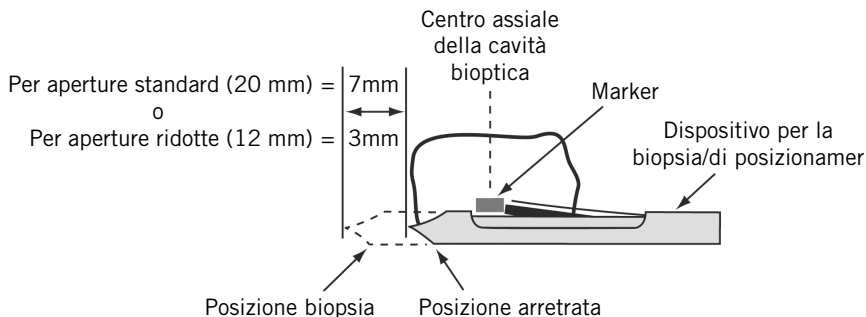


Figura C: Centro Assiale Della Cavità Bioptica



Stereotassi

Metodo Dell'introduttore Con Manipolo ATEC® (solo 36-12 e 36-09)

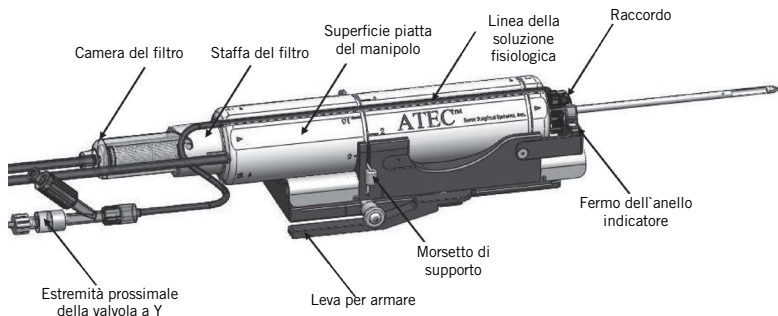
1. Prima di utilizzare il sistema di identificazione del sito bioptico ATEC TriMark, controllare la confezione e il dispositivo stesso per escludere danni insorti durante la spedizione. Se si sospetta che la confezione sia stata manomessa, non usare il dispositivo.
2. Rimuovere con attenzione il sistema di identificazione del sito bioptico ATEC TriMark dalla confezione usando una tecnica sterile.

Nota: rimuovere la protezione della punta prima di utilizzare il dispositivo.

3. Accendere o attivare la console in modalità "Set Up" o "Lavage".
4. Irrigare a fondo la cavità bioptica prima di inserire il dispositivo di dispiegamento.
5. Tirare indietro l'adattatore da 7 mm per dispositivi con apertura da 20 mm o da 3 mm per dispositivi con apertura da 12 mm. In questo modo il sistema sarà posizionato per dispiegare il marker nel centro assiale della cavità bioptica (Figura C).
6. Ruotare il manipolo in modo che la superficie piatta punti a ore 12.
7. Scollegare la linea della soluzione fisiologica all'estremità prossimale della valvola a Y e toglierla fino al raccordo.
8. Ruotare il manipolo in modo che la superficie piatta punti verso il centro radiale della cavità bioptica. La superficie piatta mostra la direzione di puntamento dell'apertura dell'ago (Figura A).
9. Agganciare il fermo di un anello indicatore per bloccare il raccordo in posizione (Figura D).
10. Ruotare il manipolo di 1/8 di giro in senso antiorario.

11. Sbloccare il morsetto di supporto e ritrarre il manipolo per separarlo dal raccordo (Figura D).
12. Posizionare l'estremità distale del dispositivo di dispiegamento nella cannula esterna attraverso il raccordo.
13. Far avanzare con attenzione il dispositivo di dispiegamento fino a quando si bloccherà in modo definitivo all'estremità distale della cannula esterna. Assicurarsi di mantenere questa posizione durante il dispiegamento del marker mantendolo in posizione con la mano libera.
14. Individuare la freccia bianca direzionale sull'indicatore dell'apertura e allinearla con il punto bianco sul raccordo, che ne indica l'orientamento e la direzione in cui il marker sarà dispiegato.
15. Dispiegare il marker verso il centro della cavità bioptica facendo avanzare il pistoncino di dispiegamento con il pollice fino a quando si attaccherà sull'indicatore dell'apertura.
16. Dopo aver udito il clic e averlo confermato al tatto, sollevare il pollice dal pistoncino bianco.
17. Sbloccare il fermo dell'anello indicatore.
18. Ruotare l'indicatore dell'apertura di 180 gradi.
19. Ruotare il raccordo di 180 gradi.
20. Agganciare il fermo di un anello indicatore per bloccare il raccordo in posizione.
21. Regolare la ritrazione iniziale del dispositivo di posizionamento e della cannula esterna con l'attacco spostando lentamente l'adattatore indietro di 20 mm.
22. Controllare che il marker sia dispiegato e posizionato correttamente prima di rimuovere il dispositivo.
23. Sbloccare il fermo dell'anello indicatore.
24. Rimuovere dalla mammella lentamente e contemporaneamente la cannula esterna e il raccordo, quindi smaltirli correttamente.
25. Decomprimere lentamente la mammella.

Figura D: Descrizioni del Manipolo e Dell'adattatore per Stereotassi ATEC®



Stereotassi

Metodo Dell'introduttore con Manipolo ATEC® (solo 36-12 e 36-09)

1. Prima di utilizzare il sistema di identificazione del sito bioptico ATEC TriMark, controllare la confezione e il dispositivo stesso per escludere danni insorti durante la spedizione. Se si sospetta che la confezione sia stata manomessa, non usare il dispositivo.
2. Rimuovere con attenzione il sistema di identificazione del sito bioptico ATEC TriMark dalla confezione usando una tecnica sterile.

Nota: rimuovere la protezione della punta prima di utilizzare il dispositivo.

3. Accendere o attivare la console in modalità "Set Up" o "Lavage".
4. Irrigare a fondo la cavità bioptica prima di inserire il dispositivo di dispiegamento.
5. Tirare indietro l'adattatore da 7 mm per dispositivi con apertura da 20 mm o da 3 mm per dispositivi con apertura da 12 mm. In questo modo il sistema sarà posizionato per dispiegare il marker nel centro assiale della cavità bioptica (Figura C).
6. Scollegare la linea della soluzione fisiologica all'estremità prossimale della valvola a Y.
7. Rimuovere la camera del filtro dall'estremità prossimale del manipolo.
8. Rimuovere il filtro per tessuto dalla camera del filtro e inserire al suo posto il tappo della camera del filtro.
9. Rimuovere la guida di dispiegamento dalla confezione protettiva.
10. Attaccare la guida di dispiegamento alla staffa del filtro sul manipolo.
11. Ruotare il manipolo in modo che la superficie piatta punti verso il centro radiale della cavità bioptica. La superficie piatta mostra la direzione di puntamento dell'apertura dell'ago (Figura A).
12. Agganciare il fermo di un anello indicatore per bloccare il manipolo in posizione (Figura D).
13. Far avanzare con attenzione il dispositivo di dispiegamento attraverso la guida di dispiegamento fino a quando si bloccherà in modo definitivo all'estremità distale della cannula esterna. Assicurarsi di mantenere la posizione di aggancio durante il dispiegamento del marker mantenedendolo in posizione con la mano libera.
14. Individuare la freccia bianca direzionale sull'indicatore dell'apertura e allinearla con la superficie piatta sul manipolo, che ne indica l'orientamento e la direzione in cui il marker sarà dispiegato.
15. Dispiegare il marker verso il centro della cavità bioptica facendo avanzare il pistoncino di dispiegamento con il pollice fino a quando si attaccherà sull'indicatore dell'apertura.

Nota: dopo l'inserimento del dispositivo di dispiegamento del marker, la console NON deve essere riportata in modalità "Biopsy".

Stereotassi (Segue)

16. Dopo aver udito il clic e averlo confermato al tatto, sollevare il pollice dal pistoncino bianco.
17. Sbloccare il fermo dell'anello indicatore (Figura D).
18. Ruotare l'indicatore dell'apertura di 180 gradi.
19. Ruotare il manipolo di 180 gradi.
20. Regolare la ritrazione iniziale del dispositivo di posizionamento e del manipolo con l'attacco spostando lentamente l'adattatore indietro di 20 mm.
21. Controllare che il marker sia dispiegato e posizionato correttamente prima di rimuovere il dispositivo.
22. Sbloccare il morsetto di sostegno (Figura D).
23. Rimuovere dalla mammella lentamente e contemporaneamente il dispositivo di dispiegamento e il manipolo, quindi smaltirli correttamente.
24. Decomprimere lentamente la mammella.

RMN

Metodo Della Guaina di Introduzione ATEC® (solo 13-MR)

1. Prima di utilizzare il sistema di identificazione del sito biotico ATEC TriMark, controllare la confezione e il dispositivo stesso per escludere danni insorti durante la spedizione. Se si sospetta che la confezione sia stata manomessa, non usare il dispositivo.
2. Rimuovere con attenzione il sistema di identificazione del sito biotico ATEC TriMark dalla confezione usando una tecnica sterile.

Nota: rimuovere la protezione della punta prima di utilizzare il dispositivo.

3. Accendere o attivare la console in modalità "Set Up" o "Lavage".
4. Irrigare a fondo la cavità biotica prima di inserire il dispositivo di dispiegamento.
5. Scollegare la linea della soluzione fisiologica all'estremità prossimale della valvola a Y.
6. Accendere o attivare la console in modalità "Biopsy".
7. Rimuovere il manipolo dalla guaina di introduzione e smaltirlo correttamente.
8. Posizionare l'estremità distale del dispositivo di dispiegamento attraverso la guaina di introduzione.
9. Far avanzare con attenzione il dispositivo di dispiegamento fino a quando l'indicatore dell'apertura non sarà a contatto con il raccordo della guaina di introduzione. Assicurarsi di mantenere questa posizione durante il dispiegamento del marker mantendolo in posizione con la mano libera.

RMN (Segue)

10. Individuare la freccia bianca direzionale sull'indicatore dell'apertura, che ne indica l'orientamento e la direzione in cui il marker sarà dispiegato.
11. Ruotare l'indicatore dell'apertura in modo che la freccia bianca sia rivolta verso il centro radiale della cavità bioptica (Figura A).
12. Dispiegare il marker verso il centro della cavità bioptica facendo avanzare il pistoncino di dispiegamento con il pollice fino a quando si attaccherà sull'indicatore dell'apertura.
13. Dopo aver udito il clic e averlo confermato al tatto, sollevare il pollice dal pistoncino bianco.
14. Ruotare l'indicatore dell'apertura di 180 gradi.
15. Rimuovere il dispositivo di dispiegamento lentamente dalla mammella e smaltirlo correttamente.
16. Controllare che il marker sia dispiegato e posizionato correttamente prima di rimuovere la guaina di introduzione.

Avvertenze e Precauzioni

- Il dispositivo di dispiegamento ATEC TriMark non è consigliato per l'uso all'interno del foro di un magnete MRI.
- Il dispositivo del sistema di identificazione del sito bioptico ATEC TriMark non è consigliato per l'uso in pazienti con impianti mammari.
- La procedura per ATEC TriMark deve essere eseguita solo da medici in possesso di idonea formazione e conoscenze sulla procedura. Prima di eseguire una procedura minimamente invasiva, fare riferimento alle tecniche, alle complicanze e ai rischi descritti nella letteratura medica.
- Questo dispositivo può essere utilizzato solo da medici esperti nelle procedure di biopsia aperta o percutanea.
- **Rx Only** Attenzione: le leggi federali (USA) limitano la vendita del presente dispositivo al medico o su prescrizione medica.
- Il marker del sito bioptico ATEC TriMark deve essere dispiegato nella cavità creata durante la procedura bioptica. Evitare il dispiegamento in tessuto esterno alla cavità bioptica.
- Se si riscontrano difficoltà durante l'inserimento o la rimozione del dispositivo di dispiegamento dal dispositivo bioptico non applicare una forza eccessiva: ciò potrebbe provocare danni o la rottura del dispositivo di dispiegamento determinando la possibilità che una parte del dispositivo di dispiegamento rimanga all'interno della paziente. Se il dispositivo di dispiegamento non può essere rimosso facilmente dal dispositivo bioptico, rimuoverli insieme come una sola unità.
- La posizione del marker rispetto ai riferimenti fissati può risultare modificata durante la mammografia a causa delle ripetute compressioni alla mammella.

Avvertenze e Precauzioni (Segue)

- Il marker del sito bioptico ATEC TriMark non può essere riposizionato o ritirato dopo il dispiegamento.
- La formazione di un ematoma eccessivo all'interno della cavità bioptica può causare l'adesione del marker al dispositivo di dispiegamento con conseguente aumento del rischio di rigetto.
- Prestare attenzione per evitare di danneggiare la cannula. Evitare il contatto dell'operatore o dello strumento con il marker del sito bioptico ATEC TriMark o con l'estremità distale del dispositivo di dispiegamento.
- Il marker del sito bioptico ATEC TriMark impiantato è a compatibilità RM condizionata. Il marker impiantato del sistema di identificazione del sito bioptico ATEC TriMark non causa alcun rischio ulteriore per la paziente o l'operatore dovuto a forze magnetiche, torsione, riscaldamento, tensione indotta o movimento, ma può influire sulla qualità dell'immagine MRI.
- Strumenti e accessori mini-invasivi prodotti o distribuiti da società non autorizzate da Hologic, Inc. possono non essere compatibili con il sistema di identificazione del sito bioptico ATEC TriMark. L'utilizzo di tali prodotti può causare effetti imprevisti e lesioni all'utente o alla paziente.
- Per strumenti o dispositivi che vengono a contatto con liquidi corporei può essere necessario adottare procedure di smaltimento specifiche mirate ad evitare la contaminazione biologica.
- Dopo l'inserimento del dispositivo di dispiegamento del marker, la console NON deve essere messa in modalità "Biopsy".
- Smaltire tutti gli strumenti aperti, che siano stati o meno utilizzati.
- Non risterilizzare e/o riutilizzare il sistema di identificazione del sito bioptico ATEC TriMark. La risterilizzazione e/o il riutilizzo possono compromettere l'integrità dello strumento. Questo può portare a guasti del dispositivo e/o a una contaminazione incrociata dovuta all'utilizzo di dispositivi non adeguatamente puliti o sterilizzati.
- Il mancato uso di una guida di dispiegamento per i dispositivi 36-09 o 36-12 può provocare di danni al dispositivo di dispiegamento con conseguente malfunzionamento del dispositivo

Come si Presenta

Il sistema di identificazione del sito bioptico ATEC TriMark viene sterilizzato con raggi gamma e fornito precaricato per l'utilizzo su una sola paziente. Smaltire in un contenitore idoneo dopo l'uso.

Come identificato sulle etichette:

QUANTITY

Numero dei dispositivi inclusi.

YYYY-MM-DD

La data di scadenza è così rappresentata:

YYYY rappresenta l'anno

MM rappresenta il mese

DD rappresenta il giorno

Per Ulteriori Informazioni

Per maggiori informazioni sul sistema di identificazione del sito bioptico ATEC TriMark, i clienti negli Stati Uniti e in Canada possono contattare l'Assistenza Clienti Hologic al numero 1-877-887-8767 o all'indirizzo CSupport@hologic.com.

I clienti internazionali possono contattare il rispettivo distributore locale.

Copyright © 2014 Hologic, Inc. Hologic, ATEC e TriMark sono marchi di fabbrica e/o marchi di fabbrica depositati di Hologic, Inc. negli Stati Uniti e/o negli altri paesi. Tutti i diritti riservati.

HOLOGIC®



Manufacturer:
Hologic, Inc. • 250 Campus Drive • Marlborough, MA 01752 USA • 1-877-887-8767



Authorized Representative:
Hologic UK Ltd. • Unit 2, Link 10, Napier Way • Crawley, West Sussex, RH10 9RA, UK • +44 (0) 1293 522 080 0086



Patent: <http://hologic.com/patentinformation>

MAN-03483-4370 Rev. 002