

Faxitron Path Table

User Guide

Part Number MAN-07611
Revision 002
July 2021

Product Support

USA: +1.877.371.4372
Europe: +32 2 711 4690
Asia: +852 37487700
Australia: +1 800 264 073
All Other: +1 781 999 7750
Email: BreastHealth.Support@hologic.com

© 2020-2021 Hologic, Inc. This manual was originally written in English.

Hologic, Faxitron and associated logos are trademarks and/or registered trademarks of Hologic, Inc., and/or its subsidiaries in the United States and/or other countries. All other trademarks, registered trademarks, and product names are the property of their respective owners.

This product may be protected by one or more U.S. or foreign patents as identified at www.Hologic.com/patents



www.hologic.com/package-inserts

HOLOGIC®

Table of Contents

List of Figures	iv
1: Introduction	1
1.1 Intended Use.....	1
1.2 System Capabilities.....	1
1.3 Warranty Statement.....	1
1.4 Technical Support.....	2
1.5 Product Complaints.....	2
1.6 Symbols.....	2
1.7 Descriptions of Warnings, Cautions, and Notes.....	3
2: General Information	5
2.1 System Overview.....	5
2.2 Safety Information.....	6
2.3 Warnings and Precautions.....	6
2.4 Label Locations.....	8
3: Installation and Maintenance	9
3.1 Table Installation.....	9
3.1.1 Inspecting the Pallet.....	9
3.1.2 Positioning the Feet.....	9
3.1.3 Bolt System to Table.....	10
3.2 Maintenance.....	11
3.2.1 Cleaning.....	11
3.2.1.1 Internal Chamber.....	11
3.2.1.2 External Chamber and Table.....	11
3.2.2 Relocation.....	11
3.3 Table Information.....	12
3.3.1 Size and Specifications.....	12

List of Figures

Figure 1: Faxitron Path Table and System.....	5
Figure 2: Label Locations.....	8
Figure 3: Raising and Lowering the Feet.....	9
Figure 4: Bolts Securing the System to the Table.....	10
Figure 5: System Dimensions.....	12

Chapter 1 Introduction

Read all this information carefully before operating the system. Follow all warnings and precautions as stated in this manual. Keep this manual available during procedures.

1.1 Intended Use

R_xOnly

United States federal law restricts this device to use by, or on the order of, a physician.

The Faxitron Path Table is intended to be used only with the Faxitron Path Specimen Radiography System as a stationary table with integrated mounting for the computer, keyboard, mouse and display.

The Table is not to be used as a mobile device.

1.2 System Capabilities

The rubber feet do come with casters that can be lowered to allow the system to be relocated, only when absolutely necessary.

1.3 Warranty Statement

Except as otherwise expressly stated in the Agreement: i) Equipment manufactured by Hologic is warranted to the original Customer to perform substantially in accordance with published product specifications for one (1) year starting from the date of shipment, or if Installation is required, from the date of Installation (“Warranty Period”); ii) digital imaging mammography x-ray tubes are warranted for twenty-four (24) months, during which the x-ray tubes are fully warranted for the first twelve (12) months and are warranted on a straight-line prorated basis during months 13-24; iii) replacement parts and remanufactured items are warranted for the remainder of the Warranty Period or ninety (90) days from shipment, whichever is longer; iv) consumable Supplies are warranted to conform to published specifications for a period ending on the expiration date shown on their respective packages; v) licensed Software is warranted to operate in accordance with published specifications; vi) Services are warranted to be supplied in a workman-like manner; vii) non-Hologic Manufactured Equipment is warranted through its manufacturer and such manufacturer’s warranties shall extend to Hologic’s customers, to the extent permitted by the manufacturer of such non-Hologic Manufactured Equipment. Hologic does not warrant that use of Products will be uninterrupted or error-free, or that Products will operate with non-Hologic authorized third-party products. These warranties do not apply to any item that is: (a) repaired, moved, or altered other than by Hologic authorized service personnel; (b) subjected to physical (including thermal or electrical) abuse, stress, or misuse; (c) stored, maintained, or operated in any manner inconsistent with applicable Hologic specifications or instructions, including Customer’s refusal to allow Hologic recommended Software upgrades; or (d) designated as supplied subject to a non-Hologic warranty or on a pre-release or “as-is” basis.

1.4 Technical Support








Refer to the cover page of this manual for contact information for product support.

1.5 Product Complaints

Report any complaints or problems in the quality, reliability, safety, or performance of this product to Hologic. If the device has caused or added to patient injury, immediately report the incident to Hologic.

1.6 Symbols

This section describes the Symbols used on this table.

Symbol	Description
	Discard electrical and electronic equipment separately from standard waste. Send decommissioned material to Hologic or contact your service representative.
	Manufacturer
	Date of Manufacture
	Warning Electricity
	Caution
	Follow or consult instructions for use
 TOP HEAVY	System is top heavy
Rx ONLY	United States federal law restricts this device to use by, or on the order of, a physician
EC REP	European Authorized Representative
MD	Medical Device
REF	Catalog number
SN	Serial number

1.7 Descriptions of Warnings, Cautions, and Notes

Descriptions of Warnings, Cautions, and Notes used in this manual:



WARNING!

The procedures that you must follow accurately to prevent possible dangerous or fatal injury.



Warning:

The procedures that you must follow accurately to prevent injury.



Caution:

The procedures that you must follow accurately to prevent damage to equipment, loss of data, or damage to files in software applications.



Note

Notes show additional information.

Chapter 2 General Information

2.1 System Overview

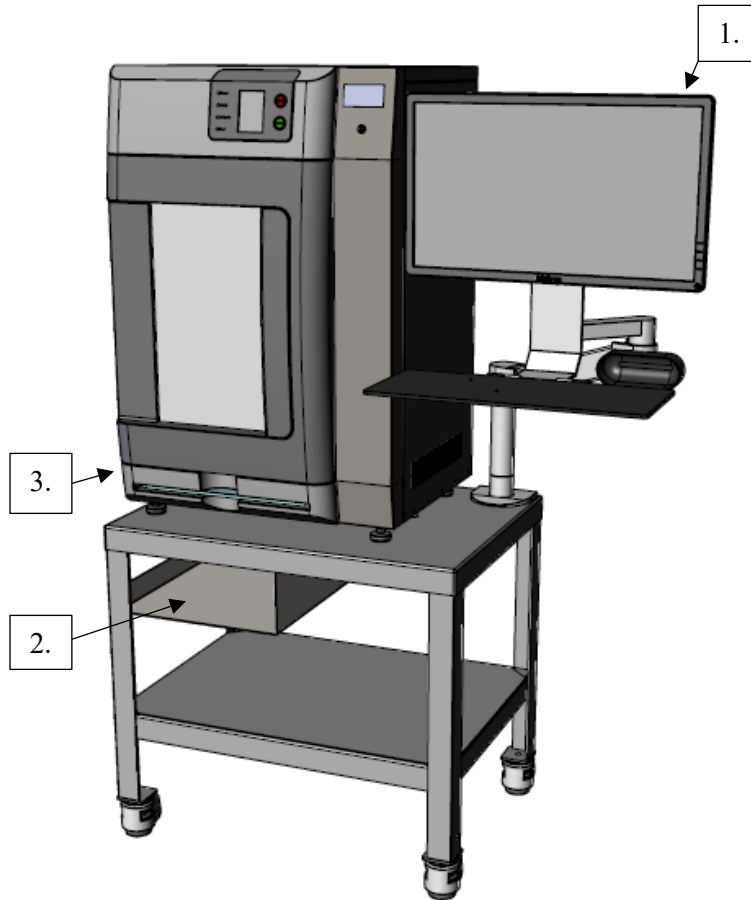


Figure 1: Faxitron Path Table and System

Figure Legend

1. Image Display Monitor
2. Computer
3. Imaging Cabinet

2.2 Safety Information

Read and understand this manual before you use the table with the system. Keep the manual available during the operation of the unit.

Always follow all the instructions in this manual. Hologic does not accept responsibility for injury or damage from incorrect system operation. Hologic can arrange for training at your site.

2.3 Warnings and Precautions



WARNING!

The user must correct problems before the system is used. Contact an approved service representative for preventive maintenance.



WARNING!

The protection provided by the equipment is reduced if the equipment is used in a method not specified by Hologic.



WARNING!

No modification of this equipment is allowed.



WARNING!

Before adjusting the position of the table system, make sure the power cord and any cables are safely positioned out of the way.



WARNING!

To prevent fire or shock hazard, do not expose the table system to rain or moisture.



Warning:

The Faxitron Path Table is not designed to be mobile, but if it must be relocated make sure all four rubber feet are stored fully up, and the casters are supporting the weight. Trying to move the system with the feet locked can cause the system to tip over.



Warning:

The Faxitron Path Table is not designed to be mobile, but if it must be relocated, rotate the Image Display monitor to a position that provides clear visibility while pushing the console.



Warning:

The Faxitron Path Table is not designed to be mobile, but if it must be relocated, do not move the system with excessive force or speed. Do not make quick stops. Push in the direction shown on the warning label.



Warning:

The Faxitron Path Table is not designed to be mobile, but if it must be relocated, be aware of bumps, ramps, inclines, or declines. Use extreme caution when moving the console on an uneven or sloped surface.



Warning:

Control the access to the equipment according to local regulations for radiation protection.



Warning:

Cables and cords can pose a tripping hazard. Position cords safely out of the way.



Warning:

Make sure there is adequate space to completely open the Imaging Cabinet door and to safely insert or remove the specimen tray.



Warning:

Keep the Imaging Cabinet door closed when not in use. Leaving the door open can pose a tripping hazard.



Caution

Use the least possible amount of cleaning fluids. The fluids must not flow or run into system



Caution

To prevent damage use only the recommended cleaning methods.



Caution:

This system is intended for use by healthcare professionals only with a Faxitron Path System.

2.4 Label Locations

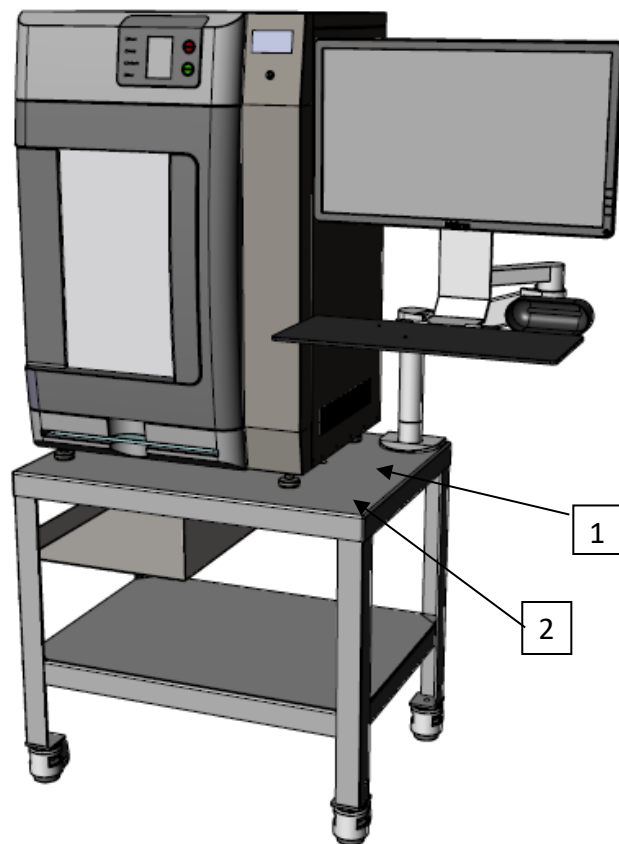


Figure 2: Label Locations

Figure Legend

1. Table ID/Nameplate Label, LBL-08824
2. Table Warning Label, LBL-08823

Chapter 3 Installation and Maintenance

3.1 Table Installation

The Faxitron Path Table system will be unpacked and assembled onsite by a Hologic authorized representative. Please contact Hologic or your local representative when your system arrives to arrange for system setup.

3.1.1 Inspecting the Pallet

The Faxitron Path Table arrives on a pallet encased in foam. Have the shipping agent transport the crate and box to an area where they can be kept safe from theft, damage, and environmental extremes until the Hologic authorized representative can install the system.

Check the pallet for any damage. If there is damage, contact Hologic. The pallet is about 3 feet tall and includes the table and monitor arm only. The system comes separately.

3.1.2 Positioning the Feet

When the system has been installed, it is important that the feet are secured down so that the table does not move. Turn the orange wheel to the right until the casters are off the ground. See Figure 3: Raising And Lowering The Feet.

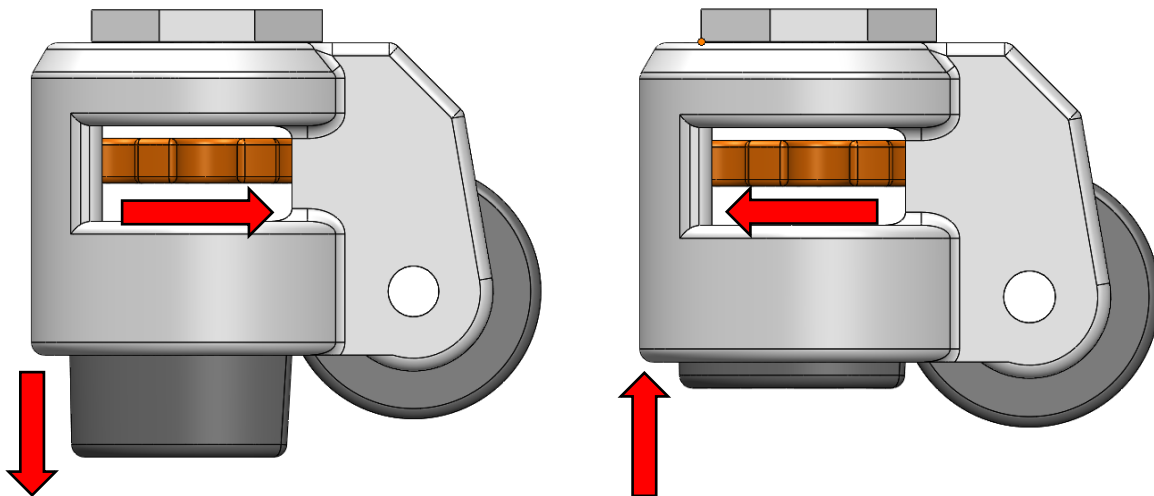


Figure 3: Raising and Lowering the Feet

3.1.3 Bolt System to Table

The system is top heavy, so it is critical that the system be bolted to the table during setup. Ensure that the two M12 bolts holding the system down are in place before operating the system or attempting to position the table.

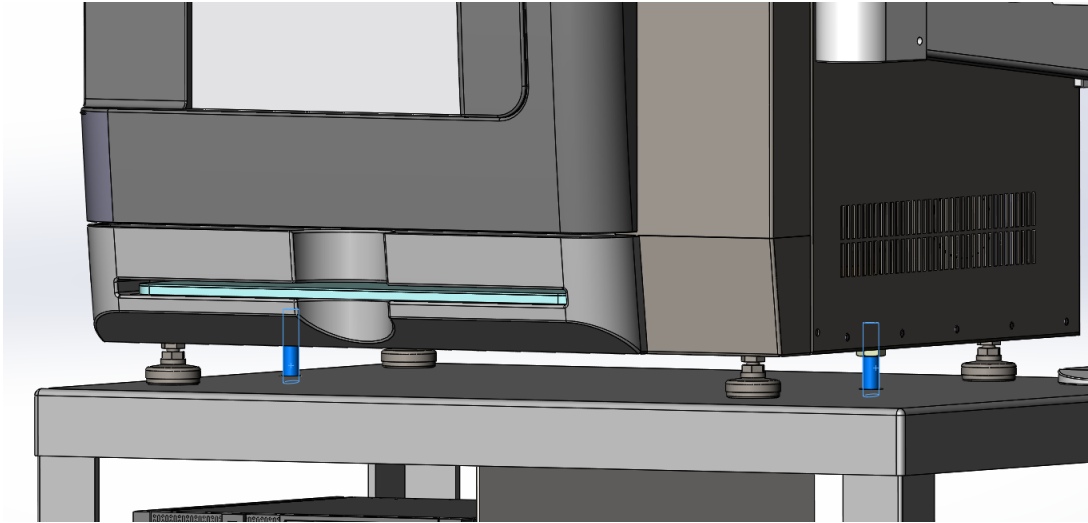


Figure 4: Bolts Securing the System to the Table

3.2 Maintenance

3.2.1 Cleaning

3.2.1.1 Internal Chamber

Samples containing biological specimens can harbor infectious agents that are hazardous to your health. Follow appropriate biosafety procedures: wear gloves when handling tissue specimens or any material which they come in contact with.

Periodically wipe down the interior of the cabinet with 70-90% isopropyl alcohol or diluted sodium hypochlorite (5.25%-6.15% household bleach diluted 1:500 provides the proper concentration). Ensure the specimen area, marked on the chamber floor, is thoroughly cleaned.

3.2.1.2 External Chamber and Table

Periodically wipe down the exterior surfaces with isopropyl alcohol, sodium hypochlorite, or mild soap and water (see above for appropriate concentrations). Do not drench or flood surfaces and do not use abrasives which may scratch surfaces. Do not allow any moisture to contact any of the systems electrical components. Test cleaning agents on a small inconspicuous area of the plastic and metal covers to verify they will not damage the finish.

3.2.2 Relocation

The Faxitron Path Table is not designed to be mobile, but if it must be relocated make sure all four rubber feet are stored fully up by rotating the orange knob all the way to the left on each caster, so the rubber feet are all the way up, see Figure 3: Raising And Lowering The Feet. Trying to move the system with the feet locked can cause the system to tip over.

Additionally, make sure that the system is bolted to the table (as shown in Figure 4: Bolts Securing The System To The Table) before attempting to move the table.

With the system secured to the table, and the rubber feet fully raised, ensure that no external cables are attached to the system before relocating.

If moving more than a short distance, only push in the direction shown in the table warning label.

Once the table is relocated, the feet should be lowered completely until the casters are off the ground before using the system.

3.3 Table Information

3.3.1 Size and Specifications

The dimensions of the system and monitor arm movements can be found in Figure 5: System Dimensions.

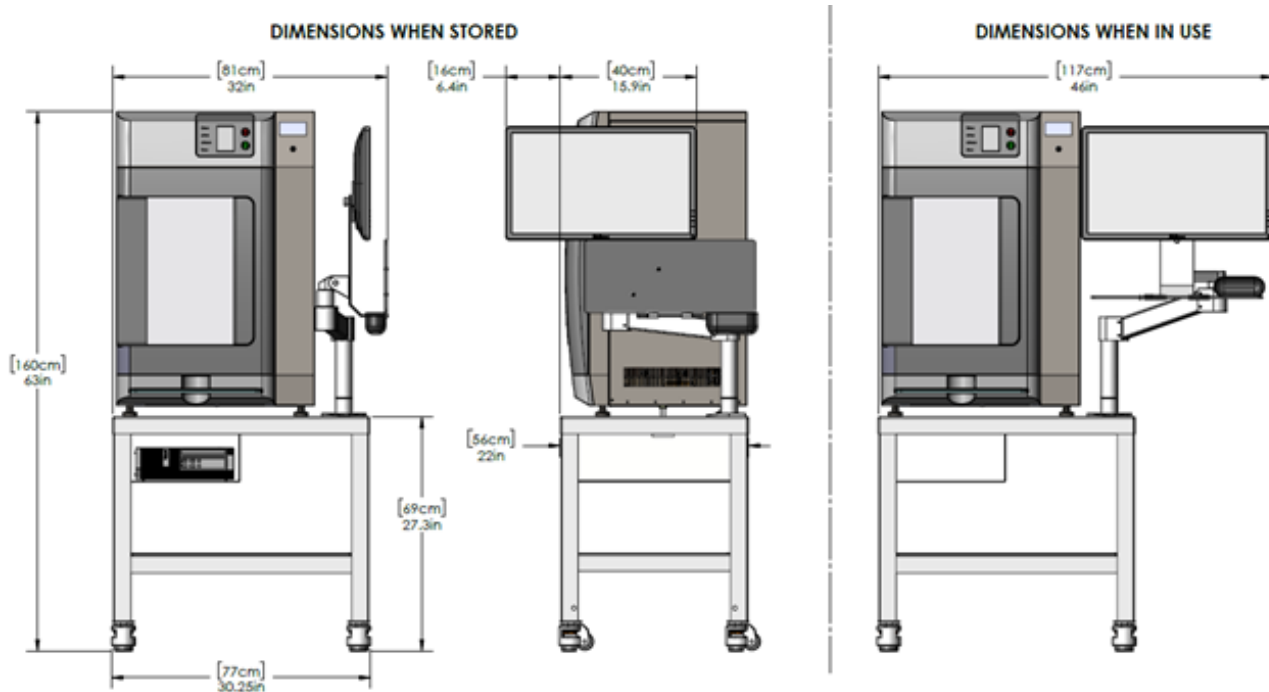


Figure 5: System Dimensions

The monitor arm can be moved in all directions: up and down; side to side, or forward and back simply by pushing it.

HOLOGIC®



Hologic Inc.

36 Apple Ridge Road
Danbury, CT 06810 USA
1.800.447.1856
www.hologic.com



Hologic BV

Da Vincilaan 5
1930 Zaventem
Belgium
Tel +32 2 711 46 80
Fax +32 2 725 20 87

AU Sponsor

Hologic (Australia and New Zealand) Pty Ltd

Suite 302, Level 3
2 Lyon Park Road
Macquarie Park NSW 2113
Tel: 02 9888 8000



Refer to the corporate website for more facilities worldwide

www.hologic.com