

User's Guide

CoolSeal™



GENERATOR

CoolSeal™ Generator

REF CSL-200-50

en – User's Guide

da – Brugsanvisning

de – Gebrauchsanweisung

el – Οδηγίες χρήσης

es – Instrucciones de uso

fi – Käyttöohjeet

fr – Mode d'emploi

is – Notkunarleiðbeiningar

it – Istruzioni per l'uso

nl – Gebruiksaanwijzing

no – Bruksanvisning

pt – Instruções de utilização

sv – Bruksanvisning

BOLDER™
SURGICAL

For use with software version 1.X.X

Table of Contents

Preface	4
Equipment covered in this manual	4
Patent Information:	4
Trademark acknowledgements	4
Manufactured by:	4
For information call.....	4
Conventions Used in this Guide.....	4
Chapter 1. Overview and General Features	5
Introduction	5
Indication for Use.....	5
Contraindications for Use	5
Front Panel	6
Rear Panel.....	6
Bottom View	7
List of Accessories.....	7
Compatible Vessel-Sealing Instruments.....	7
Chapter 2. Patient and Operating Room Safety	8
Warnings and Cautions	8
Overview.....	8
Generator Setup Safety.....	8
Electromagnetic Compatibility.....	9
Fire Hazard During Oropharyngeal Surgery.....	9
Pacemakers and ICDs	9
Connecting a CoolSeal™ Instrument.....	10
Cleaning the CoolSeal™ Generator	10
Servicing the CoolSeal™ Generator	10
Chapter 3. Setup and Use of the CoolSeal™ Generator	11
Unpacking the CoolSeal™ Generator	11
Inspecting the CoolSeal™ Generator.....	11
Setup Safety	11
Setting up the CoolSeal™ Generator	12
Adjusting the volume.....	13

Connecting a CoolSeal™ Instrument.....	13
Connecting a CoolSeal™ Instrument to the CoolSeal™ Generator	13
Activating a CoolSeal™ Instrument.....	13
Descriptions of Alert Conditions	14
Chapter 4. After Surgery	17
Turning Off the CoolSeal™ Generator	17
Preparing the CoolSeal™ Generator for Reuse.....	17
Chapter 5. Troubleshooting.....	18
General Troubleshooting Guidelines	18
Correcting Malfunctions.....	18
Abnormal Patient Response.....	18
CoolSeal™ Generator Malfunctions.....	18
Potential interactions with other device	20
Chapter 6. Periodic Functional Testing, Maintenance and Service.....	21
Responsibility of the Manufacturer	21
Periodic Functional Testing and Maintenance	21
When should Periodic Functional Testing be performed?.....	21
When must the power cord be replaced?.....	21
When should the fuses be replaced?	21
How can the fuses be replaced?.....	21
Product Service.....	22
Returning the CoolSeal™ Generator for Service.....	22
Software Upgrades	22
Chapter 7. Technical Specifications.....	23
Performance Characteristics.....	23
General.....	23
Dimensions and Weight.....	23
Operating Parameters	23
Transport and Storage.....	23
Internal Memory.....	23
Activation Tone	24
Alert Tones	24
Input Power.....	24
Power Cord Specification	24

Technical Specifications	25
Input Frequency.....	25
Input Current	25
Backup Power	25
Equipotential Connection	25
Duty Cycle	25
Low Frequency (50/60 Hz) Leakage Current.....	25
Standards and IEC Classifications.....	25
Symbols.....	26
Classifications.....	27
Class I Equipment (IEC 60601-1)	27
Electromagnetic Compatibility (IEC 60601-1-2).....	27
Type CF Equipment (IEC 60601-1).....	27
IP XX Liquid Ingress/Spillage (IEC 60601-1 and IEC 60601-2-2).....	27
Voltage Transients – Energy Platform Mains Transfer (IEC60601-1 and IEC 60601-2-2).....	27
Electromagnetic Compatibility (IEC 60601-1-2 and IEC60601-2-2)	27
Output Characteristics.....	27
Maximum Output for the CoolSeal™ Generator	27
Electromagnetic Immunity	28
Appendix A – Periodic Functional Test	32
Definitions	32
Equipment Required:.....	32
Pass/Fail Criteria:.....	32
Procedure:	33
Periodic Functional Test Summary Form.....	36
Warranty.....	38

Preface

This manual and the equipment it describes are for use only by qualified medical professionals trained in the particular technique and surgical procedure to be performed. It is intended as a guide for using the CoolSeal™ Generator only.

Equipment covered in this manual

CoolSeal™ Generator – CSL-200-50

Patent Information

<https://BolderSurgical.com/patents/>

Trademark acknowledgements

CoolSeal™ Generator

Manufactured by:



Bolder Surgical
331 S. 104th Street, Suite 200
Louisville, CO 80027
Made in USA
Tel: 866.683.1743
www.BolderSurgical.com

Authorized Representative:



Emergo Europe B.V.
Prinsessegracht 20
2514 AP The Hague
The Netherlands

For information call

866.683.1743

Conventions Used in this Guide

Warning

Indicates a potentially hazardous situation which, if not avoided, could result in death or serious injury

Caution

Indicates a potentially hazardous situation which, if not avoided, may result in minor or moderate injury

Notice

Indicates a hazard, which may result in product damage.

Important

Indicates an operating tip or maintenance suggestion.

Chapter 1. Overview and General Features

This section includes the following information:

- Introduction
- Indications for Use
- Contraindications for Use
- Front Panel
- Rear Panel
- Bottom View
- List of Accessories
- Compatible Vessel-Sealing Instruments

Caution

Read all warnings, cautions, and instructions provided with this generator before use. Specific instructions for CoolSeal™ instruments are not included in this manual. Refer to the CoolSeal™ instrument's instructions for use for warnings, cautions, and instructions for its use.

Federal (USA) law restricts this device to sale by or on the order of a physician.

Introduction

The CoolSeal™ Generator provides Radio Frequency (RF) energy for vessel-sealing applications.

The CoolSeal™ Generator automatically detects coded instruments and configures the CoolSeal™ Generator accordingly. Safety and diagnostic functionality include automatic fail-safe functions.

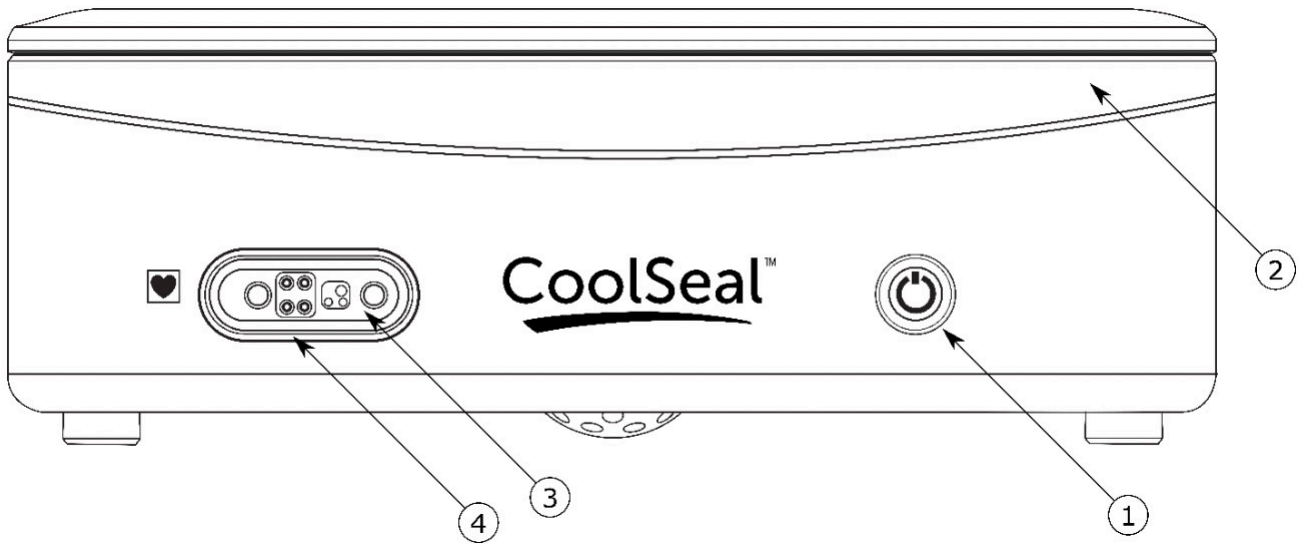
Indication for Use

The CoolSeal™ Generator is intended to provide Radio Frequency (RF) energy to compatible CoolSeal™ instruments for vessel-sealing applications. The specific application will depend on the compatible surgical device that is connected to the generator. This generator is designed to be used only with surgical devices compatible with the CoolSeal™ technology.

Contraindications for Use

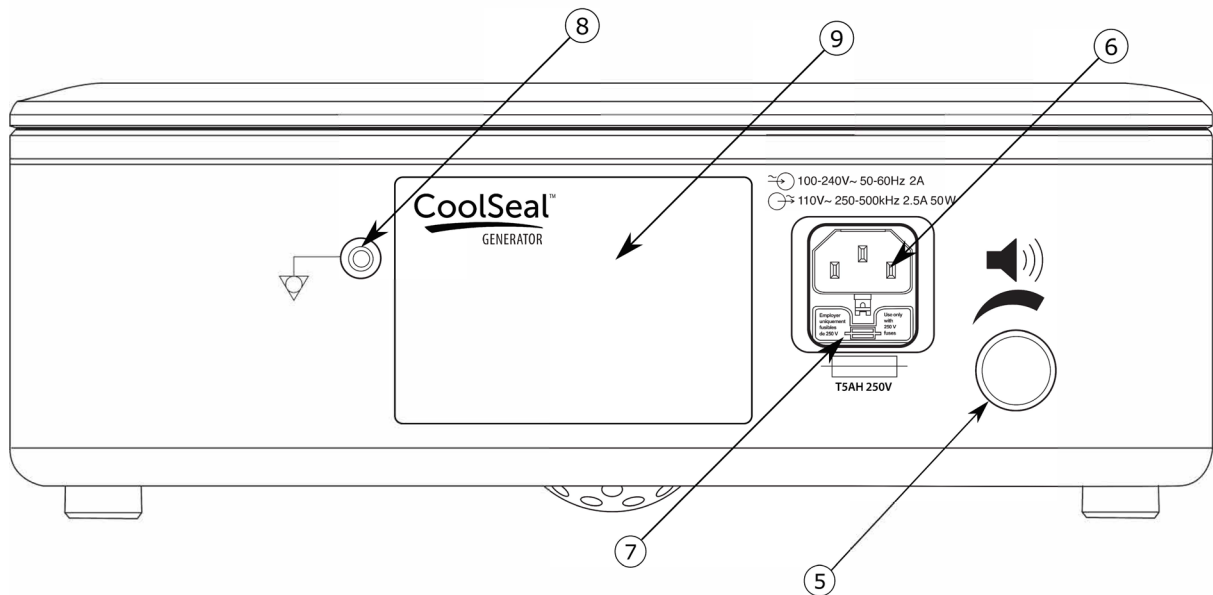
None known specifically for the CoolSeal™ Generator.

Front Panel



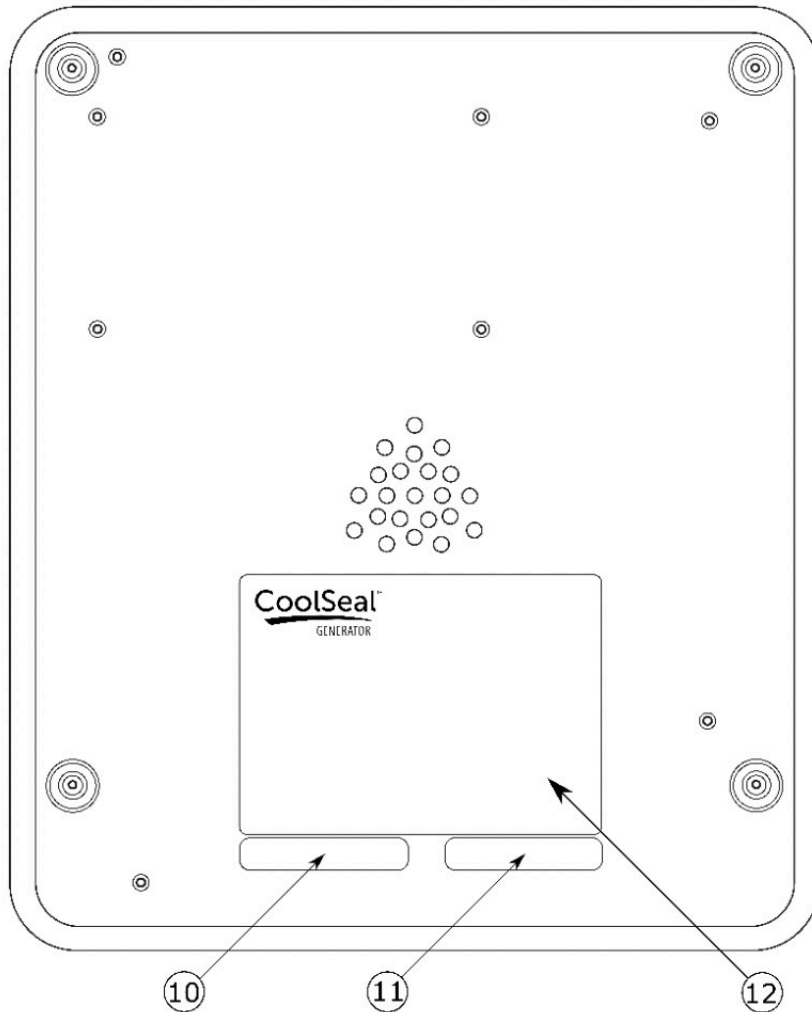
- (1) Illuminated Power Button
- (2) Activation Display
- (3) CoolSeal™ Instrument Receptacle
- (4) Instrument Receptacle Display

Rear Panel



- (5) Volume Adjustment Control
- (6) Power Cord Inlet
- (7) Fuse Drawer
- (8) Equipotential Connector
- (9) Safety Warnings & Cautions Label

Bottom View



- (10) Final Test Date Label
- (11) Software Version Label
- (12) Manufacturing Information Label

List of Accessories

Power Cord - US Specific
CSL-FTC Functional Test Cable (not included)

Compatible Vessel-Sealing Instruments

Compatible CoolSeal™ instruments will have connectors that match the following illustration. Refer to the CoolSeal™ instrument's instructions for use for compatibility with the CoolSeal™ technology.



Chapter 2. Patient and Operating Room Safety

The safe and effective use of electrosurgery depends to a large degree upon factors solely under the control of the operator. There is no substitute for a properly trained and vigilant surgical team. It is important that the operating instructions supplied with this or any electrosurgical equipment be read, understood and followed. Electrosurgery has been used safely in numerous procedures. Before starting any surgical procedure, the surgeon should be trained in the particular technique and surgical procedure to be performed, should be familiar with the medical literature related to the procedure and potential complications, and should be familiar with the risks versus the benefits of utilizing electrosurgery in the procedure.

To promote the safe use of the CoolSeal™ Generator, this section presents the warnings and cautions that appear throughout this user's guide. It is also important that you read, understand, and follow the instructions for use in the CoolSeal™ instrument's instructions for use.

Warnings and Cautions

Overview

Caution
Read all warnings, cautions, and instructions provided with this generator before use. Specific instructions for CoolSeal™ instruments are not included in this manual. Refer to the CoolSeal™ instrument's instructions for use for warnings, cautions, and instructions for its use.
Federal (USA) law restricts this device to sale by or on the order of a physician.

Generator Setup Safety

Warning
Electric Shock Hazard: Connect the system power cord to a properly grounded power receptacle. Do not use power plug adapters.
Fire Hazard: Do not use extension cords or multiple socket outlets.
Patient Safety: Use the CoolSeal™ Generator only if the power-up self-test has been completed as described in this manual, otherwise inaccurate power outputs may result.
This equipment is for use only by trained, licensed physicians. Use of this equipment without such training can result in serious patient injury.
The CoolSeal™ Generator is only compatible with CoolSeal™ Instruments. No other bipolar instruments can be used.
Do not wrap the instrument cords around metal objects. This may induce stray currents that could lead to shocks, fires, or injury to the patient or surgical team.
Electric Shock Hazard: Do not connect wet instrument connectors to the CoolSeal™ Generator. Ensure that all instruments and adapters are correctly connected.
Inspect equipment cable for breaks, cracks, nicks and other damage before every use. If damaged, do not use. Damaged equipment cables may result in injury or electrical shock to the patient or surgical team.

Caution

Set the system volume control at a level that ensures the activation tones can be heard.

Do not turn the activation tone down to an inaudible level. The activation tone alerts the surgical team when the CoolSeal™ Generator is delivering RF energy.

Examine all instruments and connections to the system before using. Ensure that the instruments function as intended. Improper connection may result in arcs, sparks, instrument malfunction, or unintended surgical effects.

A non-functioning CoolSeal™ Generator may cause interruption of surgery. A backup system should be available for use.

The use of appliance couplers, i.e., power cords, other than those specified may result in increased emissions or decreased immunity of the equipment.

Provide as much distance as possible between the CoolSeal™ Generator and other electronic equipment such as monitors. Do not cross or bundle electronic devices cords. This generator may cause interference with other electronic equipment. If interference occurs, relocate the equipment.

Studies have shown that smoke generated during electrosurgical procedures can be potentially harmful to patients and the surgical team. These studies recommend adequately ventilating the smoke by using a surgical smoke evacuator or other means.¹

1. U.S. Department of Health and Human Services. National Institute for Occupational Safety and Health (NIOSH). Control of Smoke from Laser/Electric Surgical Procedures. HAZARD CONTROLS, Publication No. 96-128, September 1996.

Electromagnetic Compatibility

Warning

Use of this equipment adjacent to or stacked with other equipment should be avoided because it could result in improper operation. If such use is necessary, this equipment and the other equipment should be observed to verify that they are operating normally.

Portable RF communication equipment should be used no closer than 30 cm (12 inches) to any part of the CoolSeal™ Generator including cables specified by Bolder Surgical. Otherwise, degradation of the performance of this equipment could result.

Fire Hazard During Oropharyngeal Surgery

Warning

Verify endotracheal tubes are free from leaks and that the cuff seals properly to prevent oxygen leaks.

Pacemakers and ICDs

Warning

DO NOT USE in patients who have electronic implants such as cardiac pacemakers without first consulting a qualified professional (e.g., cardiologist). A possible hazard exists because interference with the action of the electronic implant may occur, or the implant may be damaged.

Connecting a CoolSeal™ Instrument

Warning

Electric Shock Hazard

- Do not connect wet instruments to the CoolSeal™ Generator
- Ensure that all instruments are correctly connected and that no metal is exposed at any connection point

Properly seat the instrument in the receptacle. Improper connection may result in inadvertent instrument activation or other potentially hazardous conditions. Follow the instructions provided with CoolSeal™ Vessel Sealing Instruments.

The instrument receptacle on this system is designed to accept only one instrument at a time. Do not attempt to connect more than one instrument at a time into a given receptacle. Doing so will cause simultaneous activation of the instruments.

Caution

Inspect instruments and cords for breaks, cracks, nicks and other damage before every use. If damaged, do not use. Damaged instruments or cords may result in injury or electrical shock to the patient or surgical team.

Cleaning the CoolSeal™ Generator

Warning

Electric Shock Hazard

Always turn off and unplug the CoolSeal™ Generator before cleaning.

Servicing the CoolSeal™ Generator

Warning

Electric Shock Hazard

Do not remove the CoolSeal™ Generator cover.

Do not attempt to service the CoolSeal™ Generator. All service and repair must be conducted by a Bolder Surgical™ technician.

Caution

The CoolSeal™ Generator must not be disposed of at the end of life with other waste. To recycle waste equipment, obtain instructions from Bolder Surgical (call 866.683.1743) or contact your local sales representative to discuss local waste disposal solutions and processes. The CoolSeal™ Generator poses disposal risks similar to consumer electronics such as computers. There are no radioactive substances, batteries, or hazardous liquids that may leak in the CoolSeal™ Generator.

Chapter 3. Setup and Use of the CoolSeal™ Generator

This chapter covers the following topics:

- Unpacking the CoolSeal™ Generator
- Inspecting the CoolSeal™ Generator
- Setup Safety
- Setting up the CoolSeal™ Generator
- Adjusting the volume of activation tones
- Connecting a CoolSeal™ Instrument
- Activating the CoolSeal™ Instrument
- Descriptions of Alert Conditions

Caution

Read all warnings, cautions, and instructions provided with this generator before use. Specific instructions for CoolSeal™ instruments are not included in this manual. Refer to the CoolSeal™ instrument's instructions for use for warnings, cautions, and instructions for its use.

Unpacking the CoolSeal™ Generator

1. Remove the CoolSeal™ Generator from the shipping box and packaging material.
2. Inspect the device for visible damage.

Inspecting the CoolSeal™ Generator

Before each use of the CoolSeal™ Generator, verify that the unit and all accessories are in good working order:

- Inspect for damage to the Generator and all its connections.
- Inspect all cords and connectors for signs of wear, damage, and abrasion.
- Verify that no errors occur when you turn on the unit.

Setup Safety

Warning

Electric Shock Hazard: Connect the system power cord to a properly grounded power receptacle. Do not use power plug adapters.

Fire Hazard: Do not use extension cords or multiple socket outlets.

Patient Safety: Use the CoolSeal™ Generator only if the power-up self-test has been completed as described in this manual, otherwise inaccurate power outputs may result.

This equipment is for use only by trained, licensed physicians. Use of this equipment without such training can result in serious patient injury.

The CoolSeal™ Generator is only compatible with CoolSeal™ Instruments. No other bipolar instruments can be used.

Do not wrap the instrument cords around metal objects. This may induce stray currents that could lead to shocks, fires, or injury to the patient or surgical team.

Electric Shock Hazard: Do not connect wet instrument connectors to the CoolSeal™ Generator. Ensure that all instruments and adapters are correctly connected.

Inspect equipment cable for breaks, cracks, nicks and other damage before every use. If damaged, do not use. Damaged equipment cables may result in injury or electrical shock to the patient or surgical team.

Caution

Set the system volume control at a level that ensures the activation tones can be heard.

Do not turn the activation tone down to an inaudible level. The activation tone alerts the surgical team when the CoolSeal™ Generator is delivering RF energy.

Examine all instruments and connections to the system before using. Ensure that the instruments function as intended. Improper connection may result in arcs, sparks, instrument malfunction, or unintended surgical effects.

A non-functioning CoolSeal™ Generator may cause interruption of surgery. A backup system should be available for use.

The use of appliance couplers, i.e., power cords, other than those specified may result in increased emissions or decreased immunity of the equipment.

Provide as much distance as possible between the CoolSeal™ Generator and other electronic equipment such as monitors. Do not cross or bundle electronic devices cords. This generator may cause interference with other electronic equipment. If interference occurs, relocate the equipment.

Studies have shown that smoke generated during electrosurgical procedures can be potentially harmful to patients and the surgical team. These studies recommend adequately ventilating the smoke by using a surgical smoke evacuator or other means.¹

1. U.S. Department of Health and Human Services. National Institute for Occupational Safety and Health (NIOSH). Control of Smoke from Laser/Electric Surgical Procedures. HAZARD CONTROLS, Publication No. 96-128, September 1996.

Setting up the CoolSeal™ Generator

1. Place the CoolSeal™ Generator on a flat, stable surface such as a table, platform, boom system, or cart. Carts with non-conductive wheels are recommended. Refer to the procedures for your local institution or your local codes.
2. If required by institution or local codes, connect the equipotential connector to a ground source.
3. Connect the system power cord to the electrical inlet on the rear panel.
4. Connect the system power cord to a grounded AC wall receptacle.

Notice

Do not connect the CoolSeal™ Generator to a power strip or extension cord.

Do not position the device so that it is difficult to disconnect the power cord.

Important

If transported or stored at temperatures outside the operating temperature range, allow one hour for the CoolSeal™ Generator to reach operating temperature before use.

Turn on the system by pressing the power stand-by button () on the front of the unit. Observe the following during the power-up self-test:

- Unit performs start-up self-test.
- The power button illuminates green.
- Audible alert sounds three (3) ½ second tones after successful completion of self-check.

Notice

Verify that the system has successfully completed the start-up self-test before connecting instruments.

If unit fails start-up self-test:

- Power button does not illuminate or illuminates red
- Audible alert tone sounds one (1) ½ second tone after unsuccessful self-check

Refer to the Alert Conditions or Troubleshooting sections for additional information

Adjusting the volume

The volume of alert and activations tones may be adjusted by turning the volume knob on the back panel of the CoolSeal™ Generator.

Notice

The minimum volume for alert tones will always be louder than the activation tone.

Connecting a CoolSeal™ Instrument

Warning

Electric Shock Hazard

- Do not connect wet instruments to the CoolSeal™ Generator.
- Ensure that all instruments are correctly connected and that no metal is exposed at any connection point.

Properly seat the instrument in the receptacle. Improper connection may result in inadvertent instrument activation or other potentially hazardous conditions. Follow the instructions provided with CoolSeal™ Instruments for proper connection and use.

The instrument receptacle on this system is designed to accept only one instrument at a time. Do not attempt to connect more than one instrument at a time into a given receptacle. Doing so will cause simultaneous activation of the instruments.

Caution

Inspect instruments and cords for breaks, cracks, nicks and other damage before every use. If damaged, do not use. Damaged instruments or cords may result in injury or electrical shock to the patient or surgical team.

Connecting a CoolSeal™ Instrument to the CoolSeal™ Generator

1. Connect a CoolSeal™ Instrument to the instrument receptacle on the front panel of the CoolSeal™ Generator.
2. Verify proper placement and connection by observing the green lit instrument receptacle display.

If the CoolSeal™ Generator does not recognize the attached instrument, the instrument receptacle display will illuminate red or not illuminate and a single alert tone will sound. Refer to the Alert Conditions or Troubleshooting sections.

Activating a CoolSeal™ Instrument

1. Activate the CoolSeal™ Instrument per the Instrument's instructions for use.
2. Observe the following during instrument activation:
 - The activation display illuminates blue and varies in brightness for the duration of energy delivery.
 - An activation tone sounds continuously during energy delivery.
3. When the seal cycle is complete, observe the following:
 - A three-toned sequence will sound when the seal is completed. The activation button should then be released.
 - The activation display on the CoolSeal™ Generator front panel will momentarily brighten blue.
 - The activation display will then extinguish.

In the case of an alert condition, refer to the Alert Conditions or Troubleshooting sections.

Descriptions of Alert Conditions

When an alert condition occurs:

- An alert tone will sound
- One of the displays on the CoolSeal™ Generator will display blue, amber or red
- Energy delivery will be interrupted

Energy will be available after the alert condition has been corrected. Refer to the following table to resolve alert conditions:

Alert condition:	Indicated by:	Causes:	To Resolve:
Seal Complete	<ul style="list-style-type: none"> • A three sequential tone alert • RF energy delivery stops • Activation display brightens blue for a half (0.5) second 	Successful vessel seal.	None. Normal operation.
Reactivate / Incomplete Seal	<ul style="list-style-type: none"> • A three-pulsed alert tone • RF energy delivery stops • Activation display brightens amber for one (1) second 	Seal time exceeds five (5) seconds OR User either opened the instrument jaws or released the activation button, which causes the seal cycle to be interrupted before seal was completed OR Current stays at the maximum current limit for longer than four (4) seconds, which indicates an electrical short between the jaws has occurred OR The instrument has been activated in open air.	<ol style="list-style-type: none"> 1. Release the activation button 2. Press the activation button to reactivate the seal cycle without repositioning the instrument 3. Open the instrument jaws and inspect for a successful seal 4. If possible, reposition the instrument and regrasp tissue in another location, then reactivate the seal cycle 5. Visually inspect seal before cutting
		Possible use conditions include:	
		Grasping thin tissue or activating in open air.	Open the jaws and confirm that a sufficient amount of tissue is inside the jaws. If necessary, increase the amount of tissue and repeat the procedure
		Grasping too much tissue between the jaws.	Open the jaws and reduce the amount of tissue which is grasped, and reactivate the seal cycle
		Grasping a metal object.	Avoid grasping objects, such as staples, clips or encapsulated sutures in the jaws of the instrument
		Activating in excess pooled fluids around the instrument tip.	<ol style="list-style-type: none"> 1. Minimize or remove excess fluids 2. Reactivate the seal cycle without repositioning the instrument
Excessive tissue eschar on electrode tips.	Use a wet gauze pad to clean surfaces and edges of instrument jaws.		

System Error	<ul style="list-style-type: none"> • A single-pulsed alert tone • RF energy delivery stops • Power button illuminates and remains red 	Generator not functioning properly, failed an internal self-check.	<ol style="list-style-type: none"> 1. Press the power button to turn off the generator 2. Wait at least 30 seconds 3. Press the power button to turn on the generator 4. Confirm the power button illuminated green before use. <p>If the system error reoccurs:</p> <ul style="list-style-type: none"> • Do not use the generator. • Use a different CoolSeal™ Generator or alternate means to complete the procedure. <p>Return the malfunctioning generator as instructed in the Product Service section of this guide.</p>
Instrument Error	<ul style="list-style-type: none"> • A single-pulsed alert tone • Instrument receptacle display illuminates amber and flashes continuously • Generator will not allow RF energy delivery 	Generator not functioning properly, failed an internal self-check.	<ol style="list-style-type: none"> 1. Disconnect instrument from the generator. 2. Ensure instrument activation button is not being pressed. 3. Reconnect instrument to the generator. 4. Confirm the instrument receptacle display illuminates green <p>If the Instrument Error reoccurs:</p> <ul style="list-style-type: none"> • Do not use the instrument • Use a different CoolSeal™ Instrument.
		Possible use conditions include:	
		Inadvertent depression of the instrument activation button during instrument connection.	Remove anything depressing the instrument activation button and reconnect instrument.
The instrument switch is malfunctioning.	Replace the instrument.		

Invalid Instrument	<ul style="list-style-type: none"> • A single-pulsed alert tone • Instrument receptacle display illuminates and remains red • Generator will not allow RF energy delivery 	An unusable instrument has been connected.	<ol style="list-style-type: none"> 1. Disconnect instrument from the generator. 2. Ensure instrument is CoolSeal™ compatible 3. Reconnect instrument to the generator. 4. Confirm the instrument receptacle display illuminates green <p>If the Instrument Error reoccurs:</p> <ul style="list-style-type: none"> • Do not use the instrument • Use a different CoolSeal™ Instrument.
		Possible use conditions include:	
		Instrument connected is not CoolSeal™ technology compatible.	Confirm CoolSeal™ technology compatibility of the instrument from the instrument instructions for use.
		Instrument connected has been used previously.	Discard instrument.
Instrument is not usable with software version.	<p>Confirm the software version required by the instrument is not greater than the software version labelled on the bottom of the CoolSeal™ Generator.</p> <p>For a software upgrade refer to the Software Upgrade section.</p>		

Chapter 4. After Surgery

This chapter covers the following topics:

- Turning Off the CoolSeal™ Generator
- Preparing the CoolSeal™ Generator for Reuse

Caution

Read all warnings, cautions, and instructions provided with this generator before use. Specific instructions for CoolSeal™ instruments are not included in this manual. Refer to the CoolSeal™ instrument's instructions for use for warnings, cautions, and instructions for its use.

Turning Off the CoolSeal™ Generator

1. Turn off the system by pressing the power stand-by button (⏻) on the front of the unit. Observe the following:
 - The power stand-by button light turns off.

If necessary, the generator can be powered off by removing the power cord connection from either the power inlet or wall.

Preparing the CoolSeal™ Generator for Reuse

Step 1 – Disconnecting the CoolSeal™ Instruments

1. Disconnect instrument from the front panel.
2. Dispose of the single-use instrument according to the procedures for your institution.

Step 2 – Clean the CoolSeal™ Generator

Warning

Electric Shock Hazard

Always turn off and unplug the CoolSeal™ Generator before cleaning.

Notice

Clean the CoolSeal™ Generator with non-flammable agents and disinfectants whenever possible. Do not use abrasive cleaning or disinfectant compounds, solvents, or other materials that could scratch the panels or damage the generator, such as, chlorinated hydrocarbons or other plastic solvents.

- Turn off the generator and disconnect the power cord from the wall outlet.
- Thoroughly wipe all surfaces of the generator and power cord with a mild cleaning solution or disinfectant and damp cloth. If using chlorine-based bleaches dilute before cleaning.
- Follow procedures approved by your institution or use validated infection control procedures.
- Do not submerge, aggressively rinse or otherwise allow fluids to enter the chassis.

Chapter 5. Troubleshooting

This chapter covers the following topics:

- General Troubleshooting Guidelines
- Correcting Malfunctions

Caution

Read all warnings, cautions, and instructions provided with this generator before use. Specific instructions for CoolSeal™ instruments are not included in this manual. Refer to the CoolSeal™ instrument's instructions for use for warnings, cautions, and instructions for its use.

General Troubleshooting Guidelines

If the CoolSeal™ Generator malfunctions, check for obvious conditions that may have caused the problem:

- Verify that all cords are connected and attached properly.
- Check the system for visible signs of physical damage.
- Turn the system off and turn it back on.

If the malfunction persists, the system may require service. Contact your institution's biomedical engineering department, Bolder Surgical or the authorized distributor.

If any incidents occur while using the CoolSeal™ system users should report these issues directly to Bolder Surgical by phone (866.683.1743) or by email (complaints@boldsurg.com) and to your local competent authority.

Correcting Malfunctions

If a solution is not readily apparent, use the table below to help identify and correct specific malfunctions. After you correct the malfunction, verify that the system completes the self-test as described in the System Setup chapter.

Abnormal Patient Response:

Condition:	Causes:	To Resolve:
Abnormal neuromuscular stimulation <i>(stop surgery immediately)</i>	Metal-to-metal sparking	Check all connections to the CoolSeal™ Generator.
	Abnormal 50 Hz-60 Hz leakage currents	Use a backup CoolSeal™ Generator. Contact your biomedical engineering department or a Bolder Surgical™ technical service representative for assistance.

CoolSeal™ Generator Malfunctions:

Condition:	Causes:	To Resolve:
CoolSeal™ Generator does not respond when turned on	Disconnected power cord or faulty wall outlet	Check power cord connections (CoolSeal™ Generator and wall outlet). Connect the power cord to a functional outlet.
	Faulty power cord	Replace the power cord.
	Fuses are blown	Contact your biomedical engineering department or a Bolder Surgical™ technical service representative for assistance.
	Internal component malfunction	Use a backup CoolSeal™ Generator. Contact your biomedical engineering department or a Bolder Surgical™ technical service representative for assistance.

System is on, but did not successfully complete the self-test or stopped functioning during use – A single-pulsed tone and power button illuminates red	Unit stored in a cold location	Allow unit to warm to ambient temperature.
	Recoverable Software Malfunction	Use a backup CoolSeal™ Generator. Contact your biomedical engineering department or a Bolder Surgical™ technical service representative for assistance.
	Internal component malfunction or Non-recoverable Software Malfunction	Internal component malfunction.
System is on, with a single tone , and a flashing amber instrument receptacle display.	System initiated with faulty instrument plugged into Instrument Receptacle	Disconnect Instrument. Turn off the CoolSeal™ Generator.
	Incorrect or expired instrument	Turn on the CoolSeal™ Generator. Plug in the instrument.
	Instrument Failure	Replace the instrument if it continues to Malfunction.
	CoolSeal™ Instrument is not usable with software version	Ask your biomedical engineering department to check with the manufacturer of the device. For a software upgrade refer to the Software Upgrade section.
System is on, power button illuminated green when plugging in the instrument a single tone is heard and a red instrument receptacle display is seen.	Instrument recognition failed due to intermittent connection	Remove instrument plug Firmly re-insert the instrument.
	Recoverable Software Malfunction	Turn off the system, then turn the system back on.
	Internal component malfunction or Non-recoverable Software Malfunction	Use a backup CoolSeal™ Generator. Contact your biomedical engineering department or a Bolder Surgical™ technical service representative for assistance.
CoolSeal™ Generator is on and instrument is activated, but system does not deliver output – no tones or activation display	An alert condition exists	Refer to the Alert Conditions section.
	System does not detect vessel sealing instrument	Firmly insert the connector into the receptacle on the CoolSeal™ Generator front panel. Ensure the receptacle display is illuminated green to indicate a CoolSeal™ instrument has been properly seated and recognized.
	Internal component malfunction or Non-recoverable Software Malfunction	Contact your biomedical engineering department or a Bolder Surgical™ technical service representative for assistance.
Incomplete Seal / Reactivate – Three-pulsed tone sounds, amber activation display on generator front panel and RF output is disabled	Seal cycle was in excess of 5 seconds OR Handswitch was released before the end tone sounded	Additional time and energy are needed to complete the sealing cycle. Reactivate the seal cycle without removing or repositioning the instrument. Visually inspect seal before cutting.
	Metal or other foreign object is grasped within jaws	Avoid grasping objects, such as staples, clips, or encapsulated sutures in the jaws of the instrument.
	Tissue grasped within jaws is too thin	Open the jaws and confirm that a sufficient amount of tissue is inside the jaws. If necessary, increase the amount of tissue and repeat the procedure.
	Pooled fluids around instrument tip	Minimize or remove excess fluids. Clean electrode tips and jaws with a wet gauze pad.
	Instrument has been activated in open air	Release activation button. Grasp tissue and activate the seal cycle.
Instrument is connected but vessel sealing will not activate	Instrument is not fully seated in instrument receptacle	Disconnect instrument, reconnect and wait a moment.

Potential interactions with other devices:

Condition:	Causes:	To Resolve:
Continuous monitor interference	Malfunctioning monitor	Refer to Monitor's Instructions for Use to Troubleshoot.
	Faulty chassis-to-ground connections	Check and correct the chassis ground connections for the monitor and for the CoolSeal™ Generator. Check other electrical equipment in the room for defective grounds.
	Electrical equipment is grounded to different objects rather than a common ground. CoolSeal™ Generator may respond to the resulting voltage differences between grounded objects.	Connect all electrical equipment into line power at the same location. Contact your biomedical engineering department or a Bolder Surgical™ technical service representative for assistance.
	If interference continues when the CoolSeal™ Generator is activated, the monitor is responding to radiated frequencies.	Ask your biomedical engineering department to check with the manufacturer of the monitor. Some manufacturers offer RF choke filters for use in monitor leads. The filters reduce interference when the CoolSeal™ Generator is activated and minimize the potential for an electrosurgical burn at the site of the monitor electrode.
Pacemaker interference	Intermittent connections or metal- to-metal sparking	Always monitor patients with pacemakers during surgery and keep a defibrillator available.
Internal Cardiac Defibrillator (ICD) activation	ICD is activated by CoolSeal™ Generator	Stop the procedure and contact the ICD manufacturer for instructions.
Interference with other devices only when the CoolSeal™ Generator is activated	Electrically inconsistent ground wires in the operating room	Verify that all ground wires are as short as possible and go to the same grounded metal.
	If interference continues when the CoolSeal™ Generator is activated, the device is responding to radiated frequencies.	Ask your biomedical engineering department to check with the manufacturer of the device.

Chapter 6. Periodic Functional Testing, Maintenance and Service

This chapter presents the following information:

- The manufacturer's responsibility
- Periodic Functional Testing and Maintenance
- Returning the generator for service
- Software Upgrades

Caution

Read all warnings, cautions, and instructions provided with this generator before use. Specific instructions for CoolSeal™ instruments are not included in this manual. Refer to the CoolSeal™ instrument's instructions for use for warnings, cautions, and instructions for its use.

Responsibility of the Manufacturer

Bolder Surgical is responsible for the safety, reliability, and performance of the CoolSeal™ Generator only if all the following conditions have been met:

- Installation and setup procedures in this manual are followed.
- Persons authorized by Bolder Surgical carry out assembly, operation, re-adjustments, modifications, or repairs.
- The electrical installation of the relevant room complies with local codes and regulatory requirements, such as IEC and BSI.
- The equipment is used in accordance with the Bolder Surgical instructions for use. For warranty information, refer to the Warranty section in this manual.

Periodic Functional Testing and Maintenance

When should Periodic Functional Testing be performed?

Bolder Surgical recommends that a Periodic Functional Test of the CoolSeal™ Generator be performed at least once every two years. The Periodic Functional Test should only be performed by a qualified biomedical technician or the CoolSeal™ Generator may be returned to Bolder Surgical or its distributor for Periodic Functional Testing. See Appendix A for detailed instructions on the Periodic Functional Test.

When must the power cord be replaced?

Replace the power cord if you find exposed wires, cracks, frayed edges, or a damaged connector.

When should the fuses be replaced?

The hospital biomedical engineering department may occasionally need to replace fuses. Fuses should be replaced either when a fuse has sacrificially protected the CoolSeal™ Generator or as specified by hospital biomedical engineering for preventative maintenance. If repeated fuse failures occur in a short period do not continue replacing fuses and return the CoolSeal™ Generator for service.

How can the fuses be replaced?

1. Turn off the generator and disconnect the power cord from the wall outlet.
2. Disconnect the system power cord from the electrical inlet on the rear panel.
3. Unlatch the fuse tray from below the electrical inlet.
4. Remove both fuses.
5. Obtain fuses rated as labelled below the electrical inlet on the rear panel.
6. Insert both fuses.
7. Insert and latch fuse tray.

Product Service

Warning

Electric Shock Hazard: Do not remove the CoolSeal™ Generator cover.

Do not attempt to service the CoolSeal™ Generator. All service and repair must be conducted by authorized Bolder Surgical™ personnel.

Returning the CoolSeal™ Generator for Service

Before you return the CoolSeal™ Generator, call your Bolder Surgical™ sales representative for assistance. If you are instructed to send the generator to Bolder Surgical, do the following:

1. Call the Bolder Surgical™ Customer Service Center for your area to obtain a Return Authorization Number. Have the following information ready when you call:
 - Hospital/clinic name/customer number
 - Your telephone number
 - Department/address, city, state, and zip code
 - Model number
 - Serial number
 - Description of the problem
 - Type of service, upgrade or repair to be done
2. Clean the CoolSeal™ Generator.
 - See the Cleaning section above.
3. Ship the CoolSeal™ Generator.
 - Attach a tag to the generator that includes the return authorization number and the information (hospital, phone number, etc.) listed in step 1.
 - Be sure the generator is completely dry before you pack it for shipment. Package it in its original shipping container, if available.
 - Ship the generator, prepaid, to the Bolder Surgical™ Service Center.

Software Upgrades

Bolder Surgical™ personnel must perform software upgrades. See *Returning the CoolSeal™ Generator for Service* (above) for instructions.

Chapter 7. Technical Specifications

All specifications are nominal and subject to change without notice.

A specification referred to as "Typical" is within $\pm 20\%$ of a stated value at room temperature (25°C / 77°F) and a nominal line input voltage.

Caution

Read all warnings, cautions, and instructions provided with this generator before use. Specific instructions for CoolSeal™ instruments are not included in this manual. Refer to the CoolSeal™ instrument's instructions for use for warnings, cautions, and instructions for its use.

Performance Characteristics

General

Output configuration:	Isolated output
Cooling:	Ambient natural convection
Display:	Indicator lamps and power stand-by switch
Connector ports:	LED illuminated connector detection
Mounting:	Operating room boom systems Any stable, flat surface such as a table or cart top

Dimensions and Weight

Width:	30.5 cm (12 in.)
Depth:	38.1 cm (15 in.)
Height:	10.9 cm (4.3 in.)
Weight:	5.4 kg (12 lbs.)

Operating Parameters

Ambient temperature range:	+10°C to +35°C
Relative humidity:	30% to 75% (non-condensing)
Atmospheric pressure:	67 kilopascals to 111 kilopascals
Warm-up time:	If transported or stored at temperatures outside the operating temperature range, allow one hour for the CoolSeal™ Generator to reach operating temperature before use.

Transport and Storage

Ambient temperature range:	-20°C to +60°C
Relative humidity:	0% to 90% (non-condensing)
Atmospheric pressure:	46 kilopascals to 111 kilopascals

Internal Memory

Nonvolatile:	RAM
Storage capacity:	Memory can store information for the last 2000 seal cycles. Data is not patient specific and not user accessible.

Activation Tone

The audio levels stated below are for activation tones of sealing at a distance of one meter.

Volume (adjustable):	40 dBA to 80 dBA
Frequency	
CoolSeal™ sealing:	349.2 Hz
Duration:	Continuous while the system is actively delivering RF energy

Alert Tones

Volume (adjustable):	65 dBA to 80 dBA
Frequency	
System Error & Instrument Error:	One 550 msec tone pulse High = 2637 Hz, Low = 440 Hz 550 msec
Seal Complete:	Three sequential tones 349.2 Hz, 392 Hz & 440 Hz 75 msec, 150 msec & 300 mSec duration
Reactivate / Incomplete Seal:	Three tone pulses High = 2489 Hz, Low = 349.2 Hz 80 msec pulses, 100 msec pauses between

Input Power

Maximum power at nominal line voltage: 110W
Mains current (maximum) Idle: 250 mA Sealing: 1 A
Mains line frequency range (nominal): 50 Hz to 60 Hz
Mains line voltage range (nominal): 100-240 V
Fuses (2): Type T5AH 250V or equivalent, 5 mm x 20 mm 5A, 250V, slow acting, high breaking capacity
Power inlet: IEC 60320 C14

Power Cord Specification

This unit was equipped from the factory with a 110 VAC hospital grade power cord with a NEMA5-15 mains connector. When replacing the AC power cord to match another mains connector configuration, the replacement connector/cable/receptacle configuration must meet or exceed the following specifications:

100-120 VAC

Cable:	SJT 18/3, IEC color code, maximum length 10ft. (3 m)
Mains connector:	Hospital grade, meets requirements of local country
Minimum:	10 A - 125 VAC
Unit receptacle:	IEC 60320 C13, minimum 10 A - 125 VAC

220-240 VAC

Cable:	H05VVF3G1.0, maximum length 10 ft. (3 m)
Mains connector:	Hospital grade, meets requirements of local country
Minimum:	6 A - 250 VAC
Unit receptacle:	IEC 60320 C13, minimum 6 A - 250 VAC

Technical Specifications

Input Frequency

The CoolSeal™ Generator operates within specification at all line input frequencies between 47 Hz and 63 Hz. The User does not need to reconfigure the CoolSeal™ Generator for different line frequencies.

Input Current

The CoolSeal™ Generator draws no more than 5A at any line input voltage.

Backup Power

The CoolSeal™ Generator retains calibration and statistical data when switched off and unplugged. The CoolSeal™ Generator operates within specification when switched over to a supplied line power by hospital backup systems.

Equipotential Connection

An equipotential connector is provided on the rear of the CoolSeal™ Generator to allow connection of a potential equalization conductor if required.

Duty Cycle

Under maximum power settings and rated load conditions, the CoolSeal™ Generator is capable of operating a duty cycle of 25%, defined as 5 seconds active RF delivery and 15 seconds inactive.

Low Frequency (50/60 Hz) Leakage Current

Complies with IEC 60601-1, Ed. 3.1

Low frequency limits:

Earth Leakage:	5 mA Normal Conditions	10 mA Single Fault Condition
Touch Current:	100 µA Normal Conditions	500 µA Single Fault Condition
Patient Leakage: <i>(based on Type CF applied part)</i>	10 µA Normal Conditions	50 µA Single Fault Condition (DC or AC current)
Patient Leakage with mains on the F-type applied part: <i>(based on Type CF applied part)</i>		50 uA

Standards and IEC Classifications

The CoolSeal™ Generator meets all pertinent clauses of the IEC 60601-1 Ed. 3.1, IEC 60601-1-2 Ed. 4.0 and IEC 60601-2-2 Ed. 6.0 .

Symbols

	Consult instructions for use		AC Power Input (Mains)
	Warning, Electricity To reduce the risk of electric shock, do not remove the cover. Refer servicing to qualified service personnel.		AC Power Output (RF)
	Serial Number		Stand-by, Power
	Authorized Representative in the European Community		Temperature limit
	Catalog, reorder or reference number		Humidity limit
	Medical Device		Atmospheric pressure limitation
	Manufacturer of record		Keep dry
	Date of Manufacture		Classified with respect to electrical shock, fire, and mechanical hazards only in accordance with IEC 60601-1 and CAN/CSA C22.2 No. 601.1.
	The generator is designated for a type CF applied part		Complies with requirements of FCC, part 15.
	Equipotentiality		Volume adjustment for activation tones, clockwise increases volume
	Fuse		Equipment must not be disposed in trash

Classifications

Class I Equipment (IEC 60601-1)

Accessible conductive parts cannot become live in the event of a basic insulation failure because of the way in which they are connected to the protective earth conductor.

Electromagnetic Compatibility (IEC 60601-1-2)

This device complies with part 15 of the FCC Rules. Operation is subject to the following two conditions:

- (1) This device may not cause harmful interference, and
- (2) This device must accept any interference received, including interference that may cause undesired operation.

Type CF Equipment (IEC 60601-1)

This generator provides a high degree of protection against electric shock, particularly regarding allowable leakage currents. It is type CF isolated (floating) output and may be used for procedures involving the heart.

IP XX Liquid Ingress/Spillage (IEC 60601-1 and IEC 60601-2-2)

The CoolSeal™ Generator is constructed so that liquid spillage in normal use does not wet electrical insulation or other components which when wetted are likely to adversely affect the safety of the equipment.

Voltage Transients – Energy Platform Mains Transfer (IEC60601-1 and IEC 60601-2-2)

The CoolSeal™ Generator continues to operate normally with no errors or system failures when transfer is made between line AC and an emergency energy platform voltage source. (IEC 60601-1- 2)

Electromagnetic Compatibility (IEC 60601-1-2 and IEC60601-2-2)

The CoolSeal™ Generator complies with the appropriate IEC 60601-1-2 and 60601-2-2 specifications regarding electromagnetic compatibility.

Warning

Use of this equipment adjacent to or stacked with other equipment should be avoided because it could result in improper operation. If such use is necessary, this equipment and the other equipment should be observed to verify that they are operating normally.

Portable RF communication equipment (including peripherals such as antenna cables and external antennas) should be used no closer than 30cm (12 inches) to any part of the CoolSeal™ Generator including cables specified by Bolder Surgical. Otherwise, degradation of the performance of this equipment could result.

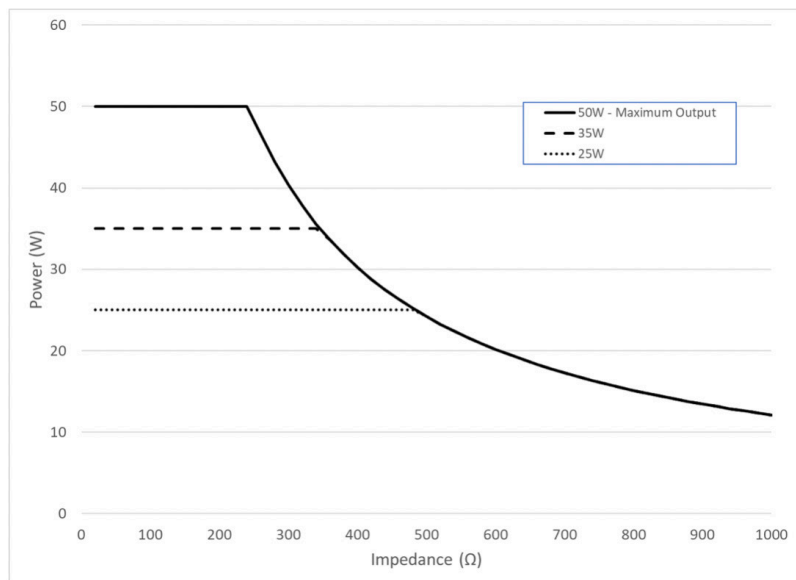
Output Characteristics

Maximum Output for the CoolSeal™ Generator

Power readouts agree with actual power into rated load to within 20% or 5 watts, whichever is greater.

Open Circuit Peak Voltage (max)	Rated Load	Rated Output Power (max)	Crest Factor	Waveform Duty Cycle
190 V	20 Ω	50 W	1.9	100%

Output Power vs. Impedance Graph



Electromagnetic Immunity

Guidance and Manufacturer's Declaration – Electromagnetic Emissions

The CoolSeal™ Generator is intended for use in the electromagnetic environment specified below. The customer or the user of the CoolSeal™ Generator should ensure that it is used in such an environment.

RF emissions CISPR 11	Group 2	The CoolSeal™ Generator must emit electromagnetic energy in order to perform its intended function. Nearby electronic equipment may be affected.
Conducted Emissions EN 55011:2009+A1:2010, CISPR 11:2009+A1:2010	Class A	
Radiated Emissions EN 55011:2009+A1:2010, CISPR 11:2009+A1:2010	Class A	The CoolSeal™ Generator is suitable for use in all establishments other than domestic and those directly connected to the public low-voltage power supply network that supplies buildings used for domestic purposes.
Harmonic Emissions IEC/EN 61000-3-2:2014	Class A Device	
Voltage Fluctuations/Flicker Emissions IEC/EN 61000-3-3:2013	Per Clause 5 of the Standard	

Basic safety per IEC 60601-1 is the performance requirement used during immunity testing. Essential performance does not apply.

Notice

The EMISSIONS characteristics of this equipment make it suitable for use in industrial areas and hospitals (CISPR 11 class A). If it is used in a residential environment (for which CISPR 11 class B is normally required) this equipment might not offer adequate protection to radio-frequency communication services. The user might need to take mitigation measures, such as relocating or re-orienting the equipment.

Guidance and Manufacturer's Declaration – Electromagnetic Immunity

The CoolSeal™ Generator is intended for use in the electromagnetic environment specified below. The customer or the user of the CoolSeal™ Generator should ensure that it is used in such an environment.

Immunity test	IEC 60601 test level	± Compliance level	Electromagnetic Environment – Guidance
Electrostatic Discharge IEC/EN 61000-4-2	± 8 kV contact discharge ± 2, 4, 8 & 15 kV air discharge	± 8 kV contact discharge ± 2, 4, 8 & 15 kV air discharge	Floors should be wood, concrete, or ceramic tile. If floors are covered with synthetic material, the relative humidity should be at least 30%.
Radiated Immunity IEC 61000-4-3:2006 + A1:2008 + A2:2010	80 MHz - 6 GHz 3 V/m 80% @ 1 kHz 28 V/m Spot frequencies 385 MHz – 2.7 GHz Pulse Modulation	80 MHz - 6 GHz 3 V/m 80% @ 1 kHz 28 V/m Spot frequencies 385 MHz – 2.7 GHz Pulse Modulation	Portable and mobile RF communications equipment should be used no closer to any part of the CoolSeal™ Generator, including cables, than the recommended separation distance calculated from the equation applicable to the frequency of the transmitter.
Proximity field from RF wireless communications equipment IEC 61000-4-3	Per Table 9 of the IEC 60601-1-2 standard	See table on next page of frequency ranges and test conditions for RF wireless communications equipment	Recommended separation distance $d = [2] \sqrt{P}$ where P is the maximum output power rating of the transmitter in watts (W) according to the transmitter manufacturer and d is the recommended separation distance in meters (m). Field strengths from fixed RF transmitters, as determined by an electromagnetic site survey ^a , must be less than the compliance level in each frequency range ^b .
Conducted Immunity (AC Power) (I/O Lines) IEC/EN 61000-4-6	0.15 - 80 MHz 3 Vrms & 6Vrms in ISM Band 1 kHz AC Mains	0.15 - 80 MHz 3 Vrms & 6Vrms in ISM Band 1 kHz AC Mains	The ISM (industrial, scientific and medical) bands between 0,15 MHz and 80 MHz are 6,765 MHz to 6,795 MHz; 13,553 MHz to 13,567 MHz; 26,957 MHz to 27,283 MHz; and 40,66 MHz to 40,70 MHz.
Electrical Fast Transients (AC Power) IEC/EN 61000-4-4	± 2 kV AC mains ± 1 kV - I/O lines 5/50 5 kHz & 100kHz	± 2 kV AC mains ± 1 kV - I/O lines 5/50 5 kHz & 100kHz	Mains power quality should be that of a typical commercial or hospital environment.
Surge Line to Line (AC Power) IEC/EN 61000-4-5	± 1 kV Line to Line Line to Ground	± 1 kV Line to Line Line to Ground	Mains power quality should be that of a typical commercial or hospital environment.
Magnetic Immunity IEC/EN-61000-4-8	30 A/m 50/60 Hz	30 A/m 50/60 Hz	Power frequency magnetic fields should be at levels characteristic of a typical location in a typical commercial or hospital environment.
Voltage Dips & Interruptions IEC/EN 61000-4-11	0% UT 0.5 cycle 0% UT 1 cycle 70% UT 25 cycles 0% UT 5 Sec	0% UT 0.5 cycle 0% UT 1 cycle 70% UT 25 cycles 0% UT 5 Sec	If the user of CoolSeal™ Generator requires continued operation during power mains interruptions, it is recommended that the CoolSeal Generator be powered from an uninterruptible power supply or a battery.

NOTE These guidelines may not apply in all situations. Electromagnetic propagation is affected by absorption and reflection from structures, objects, and people.

^aField strengths from fixed transmitters, such as base stations for radio (cellular/cordless) telephones and land mobile radios, amateur radio, AM and FM radio broadcast and TV broadcast cannot be predicted theoretically with accuracy. To assess the electromagnetic environment due to fixed RF transmitters, an electromagnetic site survey should be considered. If the measured field strength in the location in which the CoolSeal™ Generator is used exceeds the applicable RF compliance level above, the CoolSeal™ Generator should be observed to verify normal operation. If abnormal performance is observed, additional measures may be necessary, such as re-orienting or relocating the CoolSeal™ Generator.

^bOver the frequency range 150 kHz to 80 MHz, field strengths should be less than 3 V/m.

Guidance and Manufacturer's Declaration – Electromagnetic Immunity			
Frequency ranges and test conditions for RF wireless communications equipment			
Frequency band (MHz)	Test frequency (MHz)	Modulation^a	Compliance level (V/m)
380 - 390	380 - 390	Pulse – 18 Hz	27
430 - 470	450	FM ±5 kHz deviation 1 kHz sine	28
704 - 787	710	Pulse – 217 Hz	9
	745		
	780		
800 - 960	810	Pulse – 18 Hz	28
	870		
	930		
1700 - 1990	1720	Pulse – 217 Hz	28
	1845		
	1970		
2400 - 2570	2450	Pulse – 217 Hz	28
5100 - 5800	5240	Pulse – 217 Hz	9
	5500		
	5785		

^aPulse Modulation is defined as a square wave input with a 50% duty cycle at the listed frequency.

NOTE Portable RF communication equipment should be used no closer than 30 cm (12 inches) to any part of the CoolSeal™ Generator including cables specified by Bolder Surgical. Otherwise, degradation of the performance of this equipment could result.

Recommended Separation Distances Between Portable and Mobile RF Communications Equipment and the CoolSeal™ Generator

The CoolSeal™ Generator is intended for use in an electromagnetic environment in which radiated RF disturbances are controlled. The customer or the user of the CoolSeal™ Generator can help prevent electromagnetic interference by maintaining a minimum distance between portable and mobile RF communications equipment (transmitters) and the CoolSeal™ Generator as recommended below, according to the maximum output power of the communications equipment.

Rated maximum output power of transmitter	Separation distance from transmitter $d = [2]\sqrt{P}$
0.01	0.20
0.1	0.63
1	2.00
10	6.32
100	20.00

For transmitters rated at a maximum output power not listed above, the recommended separation distance d in meters (m) can be estimated using the equation applicable to the frequency of the transmitter, where P is the maximum output power rating of the transmitter in watts (W) according to the transmitter manufacturer.

NOTE These guidelines may not apply in all situations. Electromagnetic propagation is affected by absorption and reflection from structures, objects, and people.

Appendix A – Periodic Functional Test

The purpose of the test is to confirm proper function of the CoolSeal™ Generator. It is recommended that this test be performed at least every two years to ensure proper function is maintained over time. Refer to the final test date label for the last Bolder Surgical™ functional test date. This test may be used more frequently as required by hospital policies.

Warning

Do not open the case of the CoolSeal™ Generator. There are no serviceable items within the case. Additional testing is required to confirm safe operation is maintained once the case has been opened. This testing is only available at the Bolder Surgical™ Service Center. Failure to comply may result in an increased risk of electrical shock.

Notice

Only qualified individuals should conduct the CoolSeal™ Functional Test.

Important

An optional form is supplied below to record the results of the Periodic Functional Test.

Warning

Do not attempt to use the Functional Test Cable for any purpose other than the steps outlined herein.
Do not use clinically.

Definitions:

UUT – Unit Under Test

ESA – Electrical Safety Analyzer

ESuA – Electro-Surgical Analyzer

Equipment Required:

UUT - CoolSeal™ Generator – CSL-200-50

ESA - Fluke Electrical Safety Analyzer Model ESA612 (or equivalent)

ESuA - Fluke Electro-Surgical Analyzer Model QA-E SII, QA-ES III (or equivalent)

Functional Test Cable – CSL-FTC

Stopwatch

Pass/Fail Criteria:

- Follow the steps outlined below to obtain the indicated result, repeat if this result is not obtained.
- Contact Bolder Surgical to arrange for service in order to resolve failures or anomalies.
- Do not attempt to repair the CoolSeal™ Generator.
- Attempting to repair the CoolSeal™ Generator will violate the product warranty.

Procedure:**RECORDING RESULTS:**

1. You can record the results of the following tests on a copy of the attached log. After each step below, record the result in the corresponding section as indicated by **<RECORD RESULTS>**. Capture numeric values where indicated and circle **P** for Pass or **F** for Fail.

INSPECTION:

1. Inspect the unit for external damage or missing components, no damage or missing components should be found. **<RECORD RESULTS>**
2. Inspect the power cord for damage, no damage should be found. **<RECORD RESULTS>**

INDICATOR LIGHTS AND AUDIO INDICATORS:

1. Apply power to the UUT and depress the power button, the power button should illuminate GREEN and a three (3) tone sequence should be heard. A RED power button illumination indicates a failure of the power on self-test. **<RECORD RESULTS>**
2. Insert the Functional Test Cable into the instrument receptacle, the instrument receptacle display should illuminate white. **<RECORD RESULTS>**
3. Turn off the power of the UUT. Depress and hold the activate button. Turn on power while holding the activate button down. The power button will illuminate GREEN and a three (3) tone sequence should be heard, followed by a second tone, then the instrument receptacle display will flash AMBER. **<RECORD RESULTS>**
4. Remove the Functional Test Cable and power the UUT off then on again. The power button should be GREEN. While depressing and holding the activate button on the Functional Test Cable, insert the Functional Test cable into the instrument receptacle. A single tone will sound followed by the instrument receptacle display flashing AMBER. **<RECORD RESULTS>**
5. Power the UUT off then on again to reset from the previous step. Set the switch on the Functional Test Cable to the 'Open' position and depress and hold the activate button. The activation display will momentarily display FUCHSIA and begin the sealing tone, followed by an AMBER display of approximately 1 second and the 3-tone regrasp alert. This may sound like 4-tones. **<RECORD RESULTS>**
6. Set the switch on the Functional Test Cable to the "Short" position. Depress and hold the activation button and confirm that the activation display is illuminated FUCHSIA and varying in intensity from off to full intensity with the sealing tone. This will be followed by an AMBER activation display and a 3-tone alert. **<RECORD RESULTS>**
7. With the switch of the Functional Test Cable still in the "Short" position, prepare to time with the stopwatch from pressing the activation button until the AMBER display. Depress the activate button, timing the FUCHSIA (sealing) phase. **<RECORD RESULTS>**
8. With the switch of the Functional Test Cable still in the "Short" position, prepare to twist the volume knob during the FUCHSIA (sealing phase). Depress the activate button, turn the volume knob to each extreme, confirming a volume change between Minimum and Maximum levels. **<RECORD RESULTS>**
9. Remove the test cable, power off and unplug the UUT.

GROUND CONTINUITY TESTING:

1. Turn on the ESA
2. Plug the power cable from the UUT into the ESA
3. Connect the test lead to the V/ Ω /A jack of the ESA to measure Ohms (Ω).
4. Connect the test lead to the ESA ground/null post.
5. Be sure the ESA is measuring resistance (Ω)
6. Zero the ESA.
7. Attach the test lead to the UUT equipotential connector.
8. Record the resistance value seen through the power cable and UUT. **<RECORD RESULTS>**
9. Disconnect the UUT from the ESA, power off the ESA.

EARTH LEAKAGE TESTING

1. Turn on the ESA.
2. Plug the power cable from the UUT into the ESA.
3. Insert the Functional Test Cable into the instrument receptacle.
4. Set the Functional Test Cable to Normal, stack the RED and BLACK banana connectors
5. Insert the stacked connectors into the RA/R (resistance) port of the ESA
6. Using the Micro Amp setting (μA) and EARTH, perform the following series of tests.
7. Normal/Closed <RECORD RESULTS>
8. Normal/Open <RECORD RESULTS>
9. Reverse/Open <RECORD RESULTS>
10. Reverse/Closed <RECORD RESULTS>
11. Remove the Functional Test Cable and repeat the above series of tests.
12. Normal/Closed <RECORD RESULTS>
13. Normal/Open <RECORD RESULTS>
14. Reverse/Open <RECORD RESULTS>
15. Reverse/Closed <RECORD RESULTS>
16. Disconnect the UUT from the ESA, power off the ESA.

IMPEDANCE TESTER

1. Turn on the ESuA
2. Power on the UUT
3. Set the Functional Test Cable switch to Normal
4. Plug the RED and BLACK Functional Test Cable plugs into the corresponding ESuA VAR LOAD sockets.
5. Insert the Functional Test Cable into the UUT
6. Confirm that the Power Button is GREEN, and the instrument receptacle display is WHITE before continuing.

Important

The CoolSeal™ Generator tests a range of power outputs. The first activation is at a power output of 25 Watts, the second activation is at a power output of 35 Watts and the third activation is at a power output of 50 Watts. The fourth activation begins this sequence again. To restart the sequence from a known starting point, simply unplug the Functional Test Cable and reinsert it.

Important

When using the Functional Test Cable the CoolSeal™ Generator will put the unit into a failure state if the resistive load changes significantly. This is unlikely to occur during the Functional Test, but if it were to happen, simply power the unit off and on again to reset the unit.

7. Set the load of the ESuA to 25 Ohms.
8. Start the test on the ESuA.
9. Press and hold the activation button.
10. At 25 Ohms, observe the maximum power reading at 25 Watts. <RECORD RESULTS>
11. Press and hold the activation button.
12. At 25 Ohms, observe the maximum power reading at 35 Watts. <RECORD RESULTS>

-
13. Press and hold the activation button.
 14. At 25 Ohms, observe the maximum power reading at 50 Watts. **<RECORD RESULTS>**
 15. Stop the test on the ESuA.
 16. Set the load of the ESuA to 50 Ohms
 17. Start the test on the ESuA.
 18. Press and hold the activation button.
 19. At 50 Ohms, observe the maximum power reading at 25 Watts. **<RECORD RESULTS>**
 20. Press and hold the activation button.
 21. At 50 Ohms, observe the maximum power reading at 35 Watts. **<RECORD RESULTS>**
 22. Press and hold the activation button.
 23. At 50 Ohms, observe the maximum power reading at 50 Watts. **<RECORD RESULTS>**
 24. Stop the test on the ESuA.
 25. Set the load of the ESuA to 225 Ohms
 26. Start the test on the ESuA.
 27. Press and hold the activation button.
 28. At 225 Ohms, observe the maximum power reading at 25 Watts. **<RECORD RESULTS>**
 29. Press and hold the activation button.
 30. At 225 Ohms, observe the maximum power reading at 35 Watts. **<RECORD RESULTS>**
 31. Press and hold the activation button.
 32. At 225 Ohms, observe the maximum power reading at 50 Watts. **<RECORD RESULTS>**
 33. Stop the test on the ESuA.
 34. Power everything down and disconnect the UUT from the test equipment.

Periodic Functional Test Summary Form

Periodic Functional Test Summary Form Page 1/2

Generator SN: _____

Step	TEST	REQUIREMENT	Record Values	Circle Pass/ Fail
Inspection				
1	Unit Exterior Inspection	No Damage		P / F
2	Power Cord	No Damage		P / F
Indicator Lights and Audio Indicators				
1	Normal Power-up	GREEN Power Button and 3-Tones		P / F
2	Normal Instrument Insertion	White Receptacle Display		P / F
3	Stuck Button During Power On	1) GREEN Power Button and 3-Tones 2) 1-Tone then flashing AMBER Receptacle		P / F
4	Stuck Button After Power On	1-Tone then flashing AMBER Receptacle		P / F
5	Open Circuit Test	1) Short FUCHSIA Display w/Tone 2) AMBER Display w/ 3-Tone Alert		P / F
6	Short Circuit Test	1) 4 second FUCHSIA Display w/Tone 2) AMBER Display w/3-Tone Alert		P / F
7	Seal Timing	Approx. 4 seconds of varying FUCHSIA Display	_____ sec	P / F
8	Volume Test	Volume changes between Min. and Max. Levels		P / F

Tester Name

Signature

Date

Periodic Functional Test Summary Form Page 2/2

Generator SN: _____

Step	TEST	REQUIREMENT	Record Values	Circle Pass/Fail
Ground Continuity Testing				
8	Ground Continuity Value	< .200 ohms	_____ ohms	P / F
Earth Leakage Testing				
7	Normal/Closed with Cable	< .500 μ A	_____ μ A	P / F
8	Normal/Open with Cable		_____ μ A	P / F
9	Reverse/Open with Cable		_____ μ A	P / F
10	Reverse/Closed with Cable		_____ μ A	P / F
12	Normal/Closed no Cable		_____ μ A	P / F
13	Normal/Open no Cable		_____ μ A	P / F
14	Reverse/Open no Cable		_____ μ A	P / F
15	Reverse/Closed no Cable		_____ μ A	P / F
Impedance				
10	Impedance 25 Ω /Power 25 W	20 W – 30 W	_____ W	P / F
12	Impedance 25 Ω /Power 35 W	28 W – 42 W	_____ W	P / F
14	Impedance 25 Ω /Power 50 W	40 W – 60 W	_____ W	P / F
19	Impedance 50 Ω /Power 25W	20 W – 30 W	_____ W	P / F
21	Impedance 50 Ω /Power 35W	28 W – 42 W	_____ W	P / F
23	Impedance 50 Ω /Power 50W	40 W – 60 W	_____ W	P / F
28	Impedance 225 Ω /Power 25W	20 W – 30 W	_____ W	P / F
30	Impedance 225 Ω /Power 35W	28 W – 42 W	_____ W	P / F
32	Impedance 225 Ω /Power 50W	40 W – 60 W	_____ W	P / F

Tester Name

Signature

Date

Warranty

Bolder Surgical warrants each product manufactured by it to be free from defects in material and workmanship under normal use and service for the period(s) set forth below. Bolder Surgical's sole obligation and the customer's exclusive remedy for any breach of this warranty is limited to the repair or replacement, at Bolder Surgical's sole option, of any product, or part thereof, which has been returned to it or its Distributor within the applicable time period shown below after delivery of the product to the original purchaser, and which examination discloses, to Bolder Surgical's satisfaction, that the product is defective. This warranty does not apply to any product, or part thereof, which has been repaired or altered by anyone other than Bolder Surgical or its authorized representatives, or which has been subjected to misuse, neglect, or accident. The warranty periods for Bolder Surgical products are as follows:

Product Type	Warranty Period (time following shipment by Bolder Surgical)
CoolSeal™ Generator	1 year from date of shipment

EXCEPT FOR THE LIMITED WARRANTIES ABOVE, BOLDER SURGICAL, TO THE EXTENT PERMITTED BY APPLICABLE LAW, EXPRESSLY DISCLAIMS ALL OTHER WARRANTIES, EXPRESS, IMPLIED OR STATUTORY, INCLUDING BUT NOT LIMITED TO THE IMPLIED WARRANTIES OF MERCHANTABILITY AND NONINFRINGEMENT.

NOTWITHSTANDING ANY OTHER PROVISION HEREIN OR IN ANY OTHER DOCUMENT OR COMMUNICATION TO THE CONTRARY, IN NO EVENT WILL BOLDER SURGICAL BE LIABLE FOR LOSS OF PROFIT OR REVENUES, LOSS OF PRODUCT, LOSS OF USE OF PRODUCTS, INTERRUPTION OF BUSINESS, OR FOR ANY SPECIAL, CONSEQUENTIAL, INCIDENTAL, INDIRECT, PUNITIVE OR EXEMPLARY DAMAGES. BOLDER SURGICAL'S TOTAL LIABILITY FOR ALL CLAIMS ARISING OUT OF OR RELATING TO THIS AGREEMENT AND ANY PRODUCT SHALL BE LIMITED TO GENERAL MONEY DAMAGES IN AN AMOUNT NOT TO EXCEED THE TOTAL PURCHASE PRICE FOR THE PRODUCT GIVING RISE TO THE CLAIM. These limitations and exclusions shall apply regardless of whether a claim is based in contract, warranty, indemnity, tort extracontractual liability (including negligence), strict liability or otherwise. Bolder Surgical neither assumes nor authorizes any other party to assume for it any other liability in connection with the sale or use of any of Bolder Surgical's products.

This warranty and the rights and obligations hereunder shall be construed under and governed by the laws of the State of Colorado, USA. Any suit or action from or related to this warranty shall be brought exclusively in the state or federal courts located in Boulder or Denver, Colorado, USA, and any right to object to the venue of such courts is hereby waived by the customer. Bolder Surgical, its dealers, and representatives reserve the right to alter, modify, or redesign their products without any obligation to modify or replace any products previously built and/or sold by them.

Indholdsfortegnelse

Forord	42
Udstyr, der er omfattet af denne vejledning	42
Oplysninger om patenter	42
Varemærkebekræftelser	42
Fremstillet af:	42
For oplysninger, ring til	42
Konventioner, der anvendes i denne vejledning	42
Kapitel 1. Oversigt og generelle funktioner	43
Indledning	43
Indikation for brug	43
Kontraindikationer for brug	43
Frontpanel	44
Bagpanel	44
Set fra bunden	45
Liste over tilbehør	45
Kompatible karforseglingsinstrumenter	45
Kapitel 2. Patient- og operationsstuesikkerhed	46
Advarsler og forsigtighedsregler	46
Oversigt	46
Sikkerhed ved generatoropsætning	46
Elektromagnetisk kompatibilitet	47
Brandfare under orofaryngeal kirurgi	47
Pacemakere og ICD'er	47
Tilslutning af et CoolSeal™-instrument	48
Rengøring af CoolSeal™-generatoren	48
Servicering af CoolSeal™-generatoren	48
Kapitel 3. Opsætning og brug af CoolSeal™-generatoren	49
Udpakning af CoolSeal™-generatoren	49
Eftersyn af CoolSeal™-generatoren	49
Sikkerhed ved opsætning	49
Opsætning af CoolSeal™-generatoren	50
Justering af lydstyrken	51

Tilslutning af et CoolSeal™-instrument	51
Tilslutning af et CoolSeal™-instrument til CoolSeal™-generatoren.....	51
Aktivering af et CoolSeal™-instrument	51
Beskrivelser af alarmtilstande.....	52
Kapitel 4. Efter operation.....	55
Slukning af CoolSeal™-generatoren	55
Klargøring af CoolSeal™-generatoren til genbrug	55
Kapitel 5. Fejlfinding	56
Generelle retningslinjer for fejlfinding	56
Korrigerende af fejlfunktioner.....	56
Unormalt patientrespons.....	56
Fejlfunktion af CoolSeal™-generatoren.....	56
Potentielle interaktioner med andre enheder.....	58
Kapitel 6. Periodisk funktionstest, vedligeholdelse og service.....	59
Fabrikantens ansvar	59
Periodisk funktionstest og vedligeholdelse	59
Hvornår skal der udføres periodisk funktionstest?	59
Hvornår skal elledningen udskiftes?.....	59
Hvornår skal sikringerne udskiftes?.....	59
Hvordan kan sikringerne udskiftes?.....	59
Produktservice	60
Returnering af CoolSeal™-generatoren til service.....	60
Softwareopgraderinger	60
Kapitel 7. Tekniske specifikationer	61
Ydeevnekarakteristika	61
Generelt.....	61
Dimensioner og vægt	61
Driftsparametre	61
Transport og opbevaring	61
Indbygget hukommelse	61
Aktiveringstone	62
Alarmtoner	62
Indgangsstrøm	62
Specifikation af elledning.....	62

Tekniske specifikationer	63
Indgangsfrekvens.....	63
Indgangsstrøm	63
Reservestrøm	63
Ækvipotentiale forbindelse	63
Driftscyklus	63
Lavfrekvent lækstrøm (50/60 Hz).....	63
Standarder og IEC-klassificeringer.....	63
Symboler	64
Klassifikationer	65
Klasse I udstyr (IEC 60601-1)	65
Elektromagnetisk kompatibilitet (IEC 60601-1-2).....	65
Type CF-udstyr (IEC 60601-1).....	65
IP XX Væskeindtrængning/-spild (IEC 60601-1 og IEC 60601-2-2)	65
Spændingstransienter – Overførsel af energiplatformens netstrøm (IEC60601-1 og IEC 60601-2-2)	65
Elektromagnetisk kompatibilitet (IEC 60601-1-2 og IEC60601-2-2)	65
Udgangskaraktistika	65
Maksimal udgangseffekt for CoolSeal™-generatoren.....	65
Elektromagnetisk immunitet	66
Bilag A – Periodisk funktionstest	70
Definitioner:.....	70
Nødvendigt udstyr:.....	70
Kriterier for bestået/ikke bestået:	70
Fremgangsmåde:	71
Oversigtsformular for periodisk funktionstest.....	74
Garanti.....	76

Forord

Denne manual og det udstyr, den beskriver, er kun beregnet til brug af kvalificeret medicinsk personale, der er uddannet i den specifikke teknik og det kirurgiske indgreb, der skal udføres. Den er kun beregnet som en vejledning til brug af CoolSeal™-generatoren.

Udstyr, der er omfattet af denne vejledning

CoolSeal™-generator – CSL-200-50

Oplysninger om patenter

<https://BolderSurgical.com/patents/>

Varemærkebekræftelser

CoolSeal™-generator

Fremstillet af:



Bolder Surgical
331 S. 104th Street, Suite 200
Louisville, CO 80027
Fremstillet i USA
Tlf.: +1 866.683.1743
www.BolderSurgical.com

Autoriseret repræsentant:



Emergo Europe B.V.
Prinsessegracht 20
2514 AP Haag
Holland

For oplysninger, ring til

+1 866.683.1743

Konventioner, der anvendes i denne vejledning

Advarsel

Angiver en potentielt farlig situation, som, hvis den ikke undgås, kan resultere i død eller alvorlig personskade

Forsigtig

Indikerer en potentielt farlig situation, som, hvis den ikke undgås, kan resultere i mindre eller moderat personskade

Bemærk

Angiver en fare, der kan resultere i beskadigelse af produktet.

Vigtigt

Angiver et driftstip eller et vedligeholdelsesforslag.

Kapitel 1. Oversigt og generelle funktioner

Dette afsnit indeholder følgende oplysninger:

- Indledning
- Indikationer for brug
- Kontraindikationer for brug
- Frontpanel
- Bagpanel
- Set fra bunden
- Liste over tilbehør
- Kompatible karforseglingsinstrumenter

Forsigtig

Læs alle advarsler, forsigtighedsregler og instruktioner, der følger med denne generator, før brug. Specifikke instruktioner for CoolSeal™-instrumenter er ikke inkluderet i denne vejledning. Der henvises til CoolSeal™-instrumentets brugsanvisning for advarsler, forsigtighedsregler og anvendelse.

I henhold til amerikansk lovgivning må dette produkt kun sælges af eller på ordinerings af en læge.

Indledning

CoolSeal™-generatoren leverer radiofrekvensenergi (RF) til karforseglingsanvendelser.

CoolSeal™-generatoren detekterer automatisk kodede instrumenter og konfigurerer CoolSeal™-generatoren i overensstemmelse hermed. Sikkerhed og diagnostisk funktionalitet omfatter automatiske fejlsikrede funktioner.

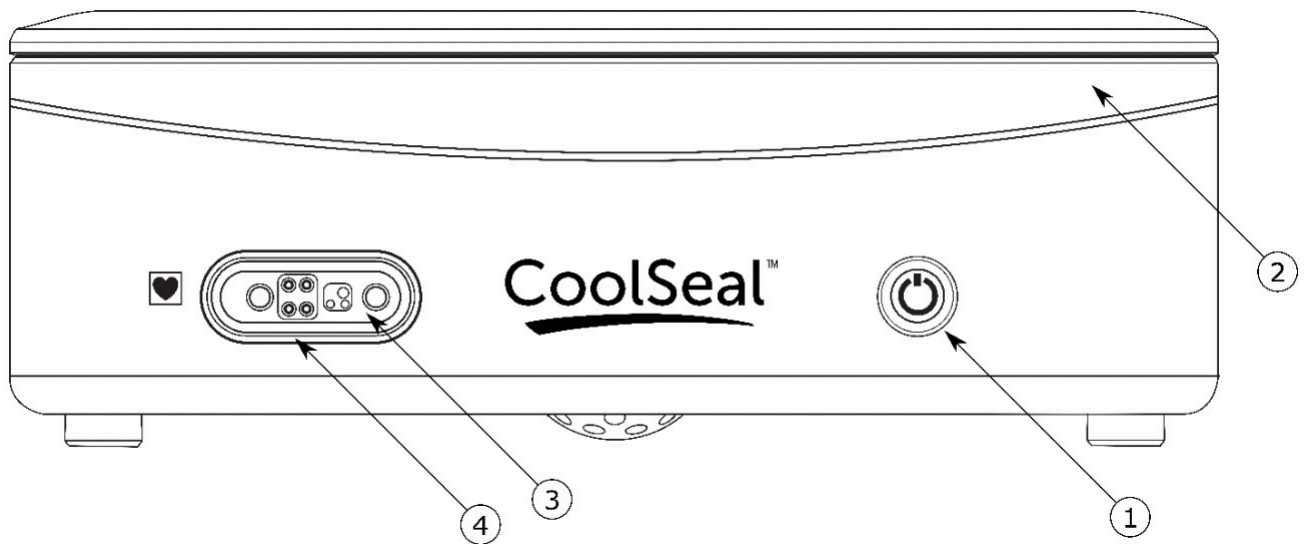
Indikation for brug

CoolSeal™-generatoren er beregnet til at levere radiofrekvensenergi (RF) til kompatible CoolSeal™-instrumenter til karforseglingsanvendelser. Den specifikke anvendelse afhænger af det kompatible kirurgiske udstyr, der er tilsluttet generatoren. Denne generator er kun beregnet til brug med kirurgiske instrumenter, der er kompatible med CoolSeal™-teknologien.

Kontraindikationer for brug

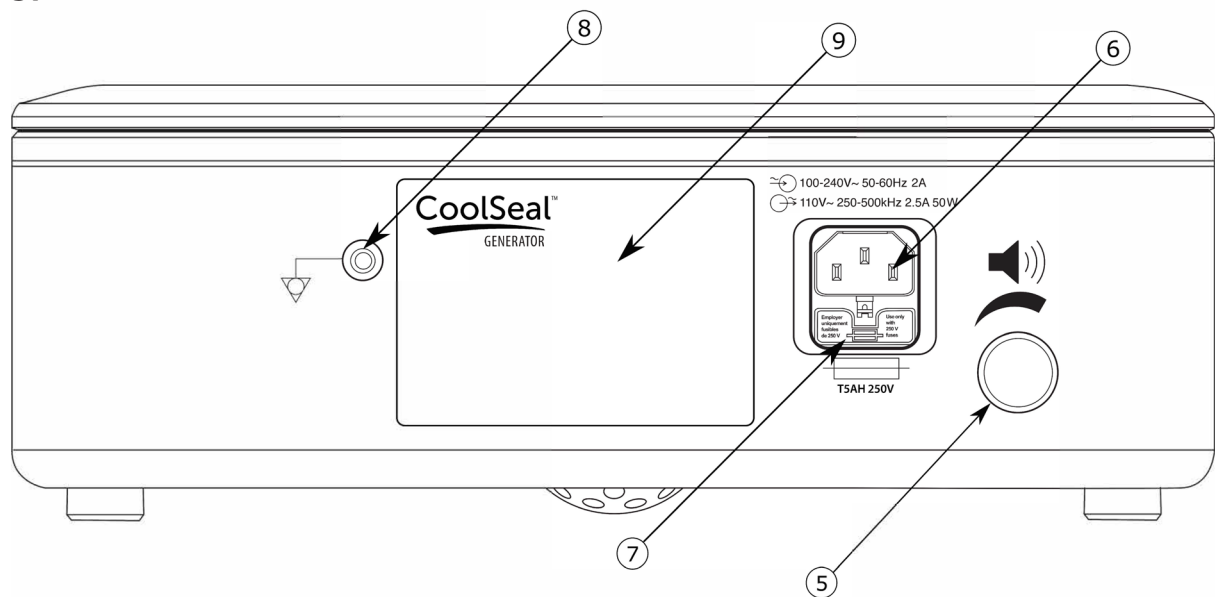
Ingen kendte specifikt for CoolSeal™-generatoren.

Frontpanel



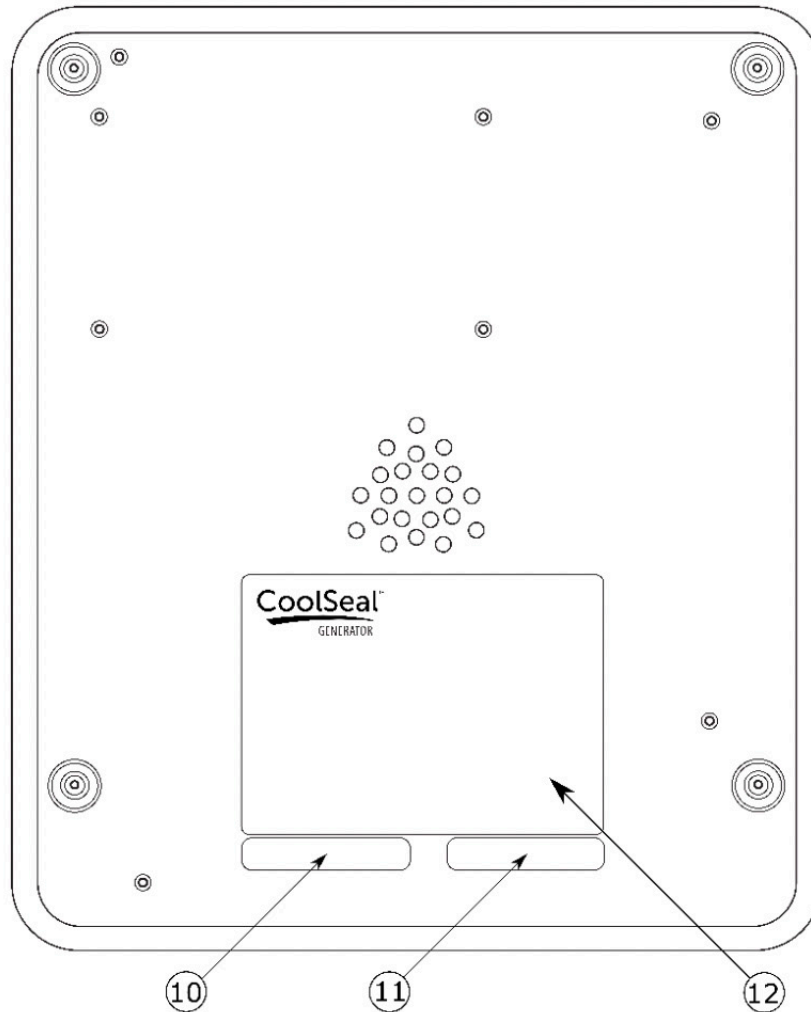
- (1) Oplyst tænd/sluk-knap
- (2) Aktiveringsdisplay
- (3) CoolSeal™-instrumentstik
- (4) Display på instrumentstik

Bagpanel



- (5) Regulator til lydstyrkejustering
- (6) Indgang til elledning
- (7) Sikringskuffe
- (8) Ækvipotential konnektor
- (9) Sikkerhedsadvarsler og sikkerhedsmærkater

Set fra bunden



- (10) Datomærkat for endelig test
- (11) Mærkat til softwareversion
- (12) Mærkat med fremstillingsoplysninger

Liste over tilbehør

Elledning - Specifik for USA
CSL-FTC funktionstestkabel (medfølger ikke)

Kompatible karforseglingsinstrumenter

Kompatible CoolSeal™-instrumenter har konnektorer, der svarer til følgende illustration.
Se brugsanvisningen til CoolSeal™-instrumentet vedrørende kompatibilitet med CoolSeal™-teknologien.



Kapitel 2. Patient- og operationsstuesikkerhed

Sikker og effektiv brug af elektrokirurgi afhænger i høj grad af faktorer, som udelukkende er under operatørens kontrol. Der er ingen erstatning for et korrekt uddannet og årvågent kirurgisk team. Det er vigtigt, at betjeningsvejledningen, der følger med dette eller andet elektrokirurgisk udstyr, læses, forstås og følges. Elektrokirurgi er blevet anvendt sikkert ved adskillige indgreb. Før et kirurgisk indgreb påbegyndes, skal kirurgen være uddannet i den særlige teknik og det kirurgiske indgreb, der skal udføres, være bekendt med den medicinske litteratur vedrørende indgrebet og potentielle komplikationer, og skal være bekendt med risiciene i forhold til fordelene ved elektrokirurgi i indgrebet.

For at fremme sikker brug af CoolSeal™-generatoren præsenterer dette afsnit de advarsler og forsigtighedsregler, der vises i denne brugervejledning. Det er også vigtigt, at du læser, forstås og følger brugsanvisningen til CoolSeal™-instrumentet.

Advarsler og forsigtighedsregler

Oversigt

Forsigtig
Læs alle advarsler, forsigtighedsregler og instruktioner, der følger med denne generator, før brug. Specifikke instruktioner for CoolSeal™-instrumenter er ikke inkluderet i denne vejledning. Der henvises til CoolSeal™-instrumentets brugsanvisning for advarsler, forsigtighedsregler og anvendelse.
I henhold til amerikansk lovgivning må dette produkt kun sælges af eller på ordinerings af en læge.

Sikkerhed ved generatoropsætning

Advarsel
Fare for elektrisk stød: Tilslut systemets elledning til en korrekt jordet stikkontakt. Brug ikke adaptere til strømstik.
Brandfare: Brug ikke forlængerledninger eller flere stikkontakter.
Patientsikkerhed: Anvend kun CoolSeal™-generatoren, hvis selvtesten ved opstart er udført som beskrevet i denne vejledning, da der ellers kan opstå unøjagtige udgangseffekter.
Dette udstyr må kun anvendes af uddannede, autoriserede læger. Brug af dette udstyr uden en sådan oplæring kan resultere i alvorlig patientskade.
CoolSeal™-generatoren er kun kompatibel med CoolSeal™-instrumenter. Der kan ikke anvendes andre bipolære instrumenter.
Undlad at vikle instrumentledninger omkring metalgenstande. Dette kan forårsage vagabonderende strøm, der kan føre til stød, brand eller skade på patienten eller det kirurgiske team.
Fare for elektrisk stød: Tilslut ikke våde instrumentkonnektorer til CoolSeal™-generatoren. Sørg for, at alle instrumenter og adaptere er tilsluttet korrekt.
Efterse udstyrets kabel for brud, revner, hak og andre skader før hver brug. Hvis det er beskadiget, må det ikke anvendes. Beskadigede udstyrskabler kan resultere i personskaade eller elektrisk stød for patienten eller det kirurgiske team.

Forsigtig

Indstil systemets lydstyrkekontrol på et niveau, der sikrer, at aktiveringstonerne kan høres.

Drej ikke aktiveringstonen ned til et niveau, der ikke kan høres. Aktiveringstonen advarer det kirurgiske team, når CoolSeal™-generatoren leverer RF-energi.

Undersøg alle instrumenter og forbindelser til systemet før brug. Sørg for, at instrumenterne fungerer efter hensigten. Forkert tilslutning kan resultere i buer, gnister, fejlfunktion af instrumentet eller utilsigtede kirurgiske virkninger.

En ikke-fungerende CoolSeal™-generator kan forårsage afbrydelse af operationen. Der skal være et backup-system tilgængeligt til brug.

Brug af andre apparatkontakter, dvs. elledninger, end de specificerede, kan resultere i øgede emissioner eller nedsat immunitet for udstyret.

Sørg for så stor afstand som muligt mellem CoolSeal™-generatoren og andet elektronisk udstyr som f.eks. skærme. Undgå at krydse eller samle ledninger til elektroniske enheder. Denne generator kan forårsage interferens med andet elektronisk udstyr. Hvis der opstår interferens, skal udstyret flyttes.

Undersøgelser har vist, at røg genereret under elektrokirurgiske indgreb kan være potentielt skadeligt for patienter og operationsteamet. Disse undersøgelser anbefaler, at røgen ventileres tilstrækkeligt ved hjælp af en kirurgisk røgsuger eller på anden måde.¹

1. Det amerikanske sundhedsministerium. National Institute for Occupational Safety and Health (NIOSH). Control of Smoke from Laser/Electric Surgical Procedures. HAZARD CONTROLS, Publication No. 96-128, September 1996.

Elektromagnetisk kompatibilitet

Advarsel

Brug af dette udstyr ved siden af eller stablet med andet udstyr bør undgås, da det kan resultere i forkert drift. Hvis en sådan brug er nødvendig, skal dette udstyr og det andet udstyr observeres for at bekræfte, at de fungerer normalt.

Bærbart RF-kommunikationsudstyr må ikke anvendes tættere end 30 cm (12 tommer) på nogen del af CoolSeal™-generatoren, herunder kabler specificeret af Bolder Surgical. Ellers kan det medføre forringelse af udstyrets ydeevne.

Brandfare under orofaryngeal kirurgi

Advarsel

Kontrollér, at endotrakealtuber ikke lækker, og at manchetten forsegles korrekt for at forhindre iltlækage.

Pacemakere og ICD'er

Advarsel

MÅ IKKE ANVENDES til patienter med elektroniske implantater som f.eks. pacemakere uden først at konsultere en kvalificeret fagperson (f.eks. kardiolog). Der er en mulig fare, da der kan opstå interferens med det elektroniske implantats funktion, eller implantatet kan blive beskadiget.

Tilslutning af et CoolSeal™-instrument

Advarsel

Fare for elektrisk stød

- Der må ikke tilsluttes våde instrumenter til CoolSeal™-generatoren
- Sørg for, at alle instrumenter er korrekt tilsluttet, og at intet metal er eksponeret på noget tilslutningssted

Anbring instrumentet korrekt i udgangsstikket. Forkert tilslutning kan resultere i utilsigtet aktivering af instrumentet eller andre potentielt farlige forhold. Følg anvisningerne, der følger med CoolSeal™-karforseglingsinstrumenterne.

Instrumentstikket på dette system er designet til kun at rumme ét instrument ad gangen. Forsøg ikke at tilslutte mere end ét instrument ad gangen til et givet udgangsstik. Dette vil forårsage samtidig aktivering af instrumenterne.

Forsigtig

Efterse instrumenter og ledninger for brud, revner, hak og andre skader før hver brug. Hvis det er beskadiget, må det ikke anvendes. Beskadigede instrumenter eller ledninger kan medføre personskade eller elektrisk stød på patienten eller det kirurgiske team.

Rengøring af CoolSeal™-generatoren

Advarsel

Fare for elektrisk stød

Sluk altid for CoolSeal™-generatoren, og tag den ud af stikkontakten før rengøring.

Servicering af CoolSeal™-generatoren

Advarsel

Fare for elektrisk stød

Fjern ikke CoolSeal™-generator dækslet.

Forsøg ikke at udføre service på CoolSeal™-generatoren. Al service og reparation skal udføres af en Bolder Surgical™-tekniker.

Forsigtig

Ved slutningen af CoolSeal™-generatorens levetid må den ikke bortskaffes sammen med andet affald. Anvisning i genbrug af affaldsudstyr fås hos Bolder Surgical (ring til +1 866.683.1743) eller kontakt den lokale salgsrepræsentant for at diskutere lokale bortskaffelsesløsninger og -processer. CoolSeal™-generatoren udgør en risiko for bortskaffelse, der ligner forbrugerelektronik, såsom computere. Der er ingen radioaktive stoffer, batterier eller farlige væsker, der kan lække i CoolSeal™-generatoren.

Kapitel 3. Opsætning og brug af CoolSeal™-generatoren

Dette kapitel dækker følgende emner:

- Udpakning af CoolSeal™-generatoren
- Eftersyn af CoolSeal™-generatoren
- Sikkerhed ved opsætning
- Opsætning af CoolSeal™-generatoren
- Justering af aktiveringstonernes lydstyrke
- Tilslutning af et CoolSeal™-instrument
- Aktivering af CoolSeal™-instrumentet
- Beskrivelser af alarmtilstande

Forsigtig

Læs alle advarsler, forsigtighedsregler og instruktioner, der følger med denne generator, før brug. Specifikke instruktioner for CoolSeal™-instrumenter er ikke inkluderet i denne vejledning. Der henvises til CoolSeal™-instrumentets brugsanvisning for advarsler, forsigtighedsregler og anvendelse.

Udpakning af CoolSeal™-generatoren

1. Tag CoolSeal™-generatoren ud af forsendelseskassen og emballagen.
2. Efterse anordningen for synlige skader.

Eftersyn af CoolSeal™-generatoren

Før hver brug af CoolSeal™-generatoren skal det verificeres, at enheden og alt tilbehør er i god stand:

- Efterse for skader på generatoren og alle dens forbindelser.
- Efterse alle ledninger og stik for tegn på slid og beskadigelse.
- Kontrollér, at der ikke opstår fejl, når du tænder enheden.

Sikkerhed ved opsætning

Advarsel

Fare for elektrisk stød: Tilslut systemets elledning til en korrekt jordet stikkontakt. Brug ikke adaptere til strømstik.

Brandfare: Brug ikke forlængerledninger eller flere stikkontakter.

Patientsikkerhed: Anvend kun CoolSeal™-generatoren, hvis selvtesten ved opstart er udført som beskrevet i denne vejledning, da der ellers kan opstå unøjagtige udgangseffekter.

Dette udstyr må kun anvendes af uddannede, autoriserede læger. Brug af dette udstyr uden en sådan oplæring kan resultere i alvorlig patientskade.

CoolSeal™-generatoren er kun kompatibel med CoolSeal™-instrumenter. Der kan ikke anvendes andre bipolære instrumenter.

Undlad at vikle instrumentledninger omkring metalgenstande. Dette kan forårsage vagabonderende strøm, der kan føre til stød, brand eller skade på patienten eller det kirurgiske team.

Fare for elektrisk stød: Tilslut ikke våde instrumentkonnektorer til CoolSeal™-generatoren. Sørg for, at alle instrumenter og adaptere er tilsluttet korrekt.

Efterse udstyrets kabel for brud, revner, hak og andre skader før hver brug. Hvis det er beskadiget, må det ikke anvendes. Beskadigede udstyrskabler kan resultere i personskaade eller elektrisk stød for patienten eller det kirurgiske team.

Forsigtig

Indstil systemets lydstyrkekontrol på et niveau, der sikrer, at aktiveringstonerne kan høres.

Drej ikke aktiveringstonen ned til et niveau, der ikke kan høres. Aktiveringstonen advarer det kirurgiske team, når CoolSeal™-generatoren leverer RF-energi.

Undersøg alle instrumenter og forbindelser til systemet før brug. Sørg for, at instrumenterne fungerer efter hensigten. Forkert tilslutning kan resultere i buer, gnister, fejlfunktion af instrumentet eller utilsigtede kirurgiske virkninger.

En ikke-fungerende CoolSeal™-generator kan forårsage afbrydelse af operationen. Der skal være et backup-system tilgængeligt til brug.

Brug af andre apparatkontakter, dvs. elledninger, end de specificerede, kan resultere i øgede emissioner eller nedsat immunitet for udstyret.

Sørg for så stor afstand som muligt mellem CoolSeal™-generatoren og andet elektronisk udstyr som f.eks. skærme. Undgå at krydse eller samle ledninger til elektroniske enheder. Denne generator kan forårsage interferens med andet elektronisk udstyr. Hvis der opstår interferens, skal udstyret flyttes.

Undersøgelser har vist, at røg genereret under elektrokirurgiske indgreb kan være potentielt skadeligt for patienter og operationsteamet. Disse undersøgelser anbefaler, at røgen ventileres tilstrækkeligt ved hjælp af en kirurgisk røgsuger eller på anden måde.¹

1. Det amerikanske sundhedsministerium. National Institute for Occupational Safety and Health (NIOSH). Control of Smoke from Laser/Electric Surgical Procedures. HAZARD CONTROLS, Publication No. 96-128, September 1996.

Opsætning af CoolSeal™-generatoren

1. Anbring CoolSeal™-generatoren på en flad, stabil overflade, såsom et bord, en platform, en hængeplatform eller en vogn. Det anbefales at anvende vogne med ikke-ledende hjul. Se procedureerne for din lokale institution eller dine lokale forskrifter.
2. Hvis det kræves af institutionen eller de lokale forskrifter, skal den ækvipotentielle konektor tilsluttes en jordforbindelseskilde.
3. Tilslut systemets elledning til den elektriske indgang på bagpanelet.
4. Tilslut systemets elledning til en jordet vekselstrømsstikkontakt.

Bemærk

Undlad at tilslutte CoolSeal™-generatoren til en strømskinne eller forlængerledning.

Anordningen må ikke placeres, så det er vanskeligt at frakoble elledningen.

Vigtigt

Hvis den transporteres eller opbevares ved temperaturer uden for driftstemperaturområdet, skal CoolSeal™-generatoren have en time til at nå driftstemperatur inden brug.

Tænd for systemet ved at trykke på standby-knappen () foran på enheden. Vær opmærksom på følgende under opstartsselvtesten:

- Enheden udfører opstartsselvtest.
- Tænd/sluk-knappen lyser grønt.
- Den hørbare alarm afgiver tre (3) 1/2 sekunds toner efter en vellykket selvkontrol.

Bemærk

Kontrollér, at systemet har gennemført selvtesten ved opstart, før instrumenterne tilsluttes.

Hvis enheden ikke består opstartsselvtesten:

- Tænd/sluk-knappen lyser ikke eller lyser rødt
- En hørbar alarmtone udsendes en (1) 1/2 sekunds tone efter en mislykket selvtest

Se afsnittene *Alarmtilstande* eller *Fejlfinding* for yderligere oplysninger

Justering af lydstyrken

Lydstyrken af alarm- og aktiveringstoner kan justeres ved at dreje lydstyrkeknappen på CoolSeal™-generatorens bagpanel.

Bemærk

Den minimale lydstyrke for alarmtoner vil altid være højere end aktiveringstonen.

Tilslutning af et CoolSeal™-instrument

Advarsel

Fare for elektrisk stød

- Der må ikke tilsluttes våde instrumenter til CoolSeal™-generatoren.
- Sørg for, at alle instrumenter er korrekt tilsluttet, og at intet metal er eksponeret på noget tilslutningspunkt.

Anbring instrumentet korrekt i udgangsstikket. Forkert tilslutning kan resultere i utilsigtet aktivering af instrumentet eller andre potentielt farlige forhold. Følg anvisningerne, der følger med CoolSeal™-instrumenterne, for at sikre korrekt tilslutning og brug.

Instrumentstikket på dette system er designet til kun at rumme ét instrument ad gangen. Forsøg ikke at tilslutte mere end ét instrument ad gangen til et givet udgangsstik. Dette vil forårsage samtidig aktivering af instrumenterne.

Forsigtig

Efterse instrumenter og ledninger for brud, revner, hak og andre skader før hver brug. Hvis det er beskadiget, må det ikke anvendes. Beskadigede instrumenter eller ledninger kan medføre personskade eller elektrisk stød på patienten eller det kirurgiske team.

Tilslutning af et CoolSeal™-instrument til CoolSeal™-generatoren

1. Tilslut et CoolSeal™-instrument til instrumentstikket på CoolSeal™-generatorens frontpanel.
2. Bekræft korrekt placering og tilslutning ved at observere det grønne tændte display på instrumentstikket.

Hvis CoolSeal™-generatoren ikke genkender det påsatte instrument, vil instrumentstikkets display lyse rødt eller ikke lyse, og der lyder en enkelt alarmtone. Se afsnittene *Alarmtilstande* eller *Fejlfinding*.

Aktivering af et CoolSeal™-instrument

1. Aktivér CoolSeal™-instrumentet i henhold til instrumentets brugsanvisning.
2. Vær opmærksom på følgende under aktivering af instrumentet:
 - Aktiveringsdisplayet lyser blå og varierer i lysstyrken, så længe energien tilføres.
 - En aktiveringstone lyder konstant under energilevering.
3. Når forseglingscyklussen er færdig, skal du være opmærksom på følgende:
 - Der lyder en tretonet sekvens, når forseglingen er færdig. Aktiveringsknappen bør derefter slippes.
 - Aktiveringsdisplayet på CoolSeal™-generatorens frontpanel vil kortvarigt lyse blå.
 - Derefter slukkes aktiveringsdisplayet.

I tilfælde af en alarmtilstand henvises der til afsnittene *Alarmtilstande* eller *Fejlfinding*.

Beskrivelser af alarmtilstande

Når der opstår en alarmtilstand:

- Der lyder en alarmtone
- Et af displayene på CoolSeal™-generatoren vil vise blå, gul eller rød
- Levering af energi afbrydes

Energi vil være tilgængelig, når alarmtilstanden er blevet korrigeret. Der henvises til følgende tabel for at løse alarmtilstande:

Alarmtilstand:	Angivet af:	Årsager:	Sådan løses:
Forsegling fuldført	<ul style="list-style-type: none"> • En tre sekventiel tonealarm • Levering af RF-energi stopper • Aktiveringsdisplayet lyser blåt i et halvt (0,5) sekund 	Vellykket karforsegling.	Ingen. Normal drift.
Genaktiver/ufuldstændig forsegling	<ul style="list-style-type: none"> • En alarmtone med tre impulser • Levering af RF-energi stopper • Aktiveringsdisplayet lyser gult i ét (1) sekund 	<p>Forseglingstiden overstiger fem (5) sekunder ELLER Brugeren åbnede enten instrumentkæberne eller slap aktiveringsknappen, hvilket bevirkede, at forseglingscyklussen blev afbrudt, før forseglingen var færdig ELLER Strømmen forbliver på den maksimale strømgrænse i mere end fire (4) sekunder, hvilket indikerer, at der er opstået en elektrisk kortslutning mellem kæberne ELLER Instrumentet er blevet aktiveret i fri luft.</p>	<ol style="list-style-type: none"> 1. Slip aktiveringsknappen 2. Tryk på aktiveringsknappen for at genaktivere forseglingscyklussen uden at omplacere instrumentet 3. Åbn instrumentkæberne og efterse for en vellykket forsegling 4. Hvis det er muligt, omplaceres instrumentet, og vævet gribes igen et andet sted, hvorefter forseglingscyklussen genaktiveres 5. Efterse forseglingen visuelt før skæring
Mulige brugsforhold omfatter:			
		At gribe fat i tyndt væv eller aktivere i fri luft.	Åbn kæberne og bekræft, at der er en tilstrækkelig mængde væv inde i kæberne. Øg om nødvendigt mængden af væv, og gentag proceduren
		At gribe for meget væv mellem kæberne.	Åbn kæberne og reducer mængden af væv, der gribes, og genaktiver forseglingscyklussen
		At gribe fat i en metalgenstand.	Undgå at gribe fat om genstande, såsom hæfteklammer, clips eller indkapslede suturer i instrumentets kæber
		Aktivering i overskydende, opsamlede væsker omkring instrumentspidsen.	<ol style="list-style-type: none"> 1. Minimer eller fjern overskydende væsker 2. Genaktiver forseglingscyklussen uden at flytte instrumentet
		For meget vævsskorpe på elektrodespidserne.	Brug et vådt gazestykke til at rengøre overflader og kanter på instrumentkæberne.

Systemfejl	<ul style="list-style-type: none"> • En enkeltpulserende alarmtone • Tilførslen af RF-energi stopper, tænd/sluk-knappen lyser og forbliver rød 	Generatoren fungerer ikke korrekt, bestod ikke en intern selvkontrol.	<ol style="list-style-type: none"> 1. Tryk på tænd/sluk-knappen for at slukke for generatoren 2. Vent mindst 30 sekunder 3. Tryk på tænd/sluk-knappen for at tænde generatoren 4. Bekræft, at tænd/sluk-knappen lyser grønt inden brug. <p>Hvis systemfejlen opstår igen:</p> <ul style="list-style-type: none"> • Brug ikke generatoren. • Brug en anden CoolSeal™-generator eller alternative metoder til at fuldføre proceduren. <p>Returner den defekte generator som anvist i afsnittet Produktservice i denne vejledning.</p>
Instrumentfejl	<ul style="list-style-type: none"> • En enkeltpulserende alarmtone • Instrumentstikkets display lyser gult og blinker kontinuerligt • Generatoren tillader ikke levering af RF-energi 	Generatoren fungerer ikke korrekt, bestod ikke en intern selvkontrol.	<ol style="list-style-type: none"> 1. Kobl instrumentet fra generatoren. 2. Sørg for, at der ikke trykkes på instrumentets aktiveringsknap. 3. Tilslut instrumentet til generatoren igen. 4. Bekræft, at instrumentstikkets display lyser grønt <p>Hvis instrumentfejlen opstår igen:</p> <ul style="list-style-type: none"> • Brug ikke instrumentet • Brug et andet CoolSeal™-instrument.
		Mulige brugsforhold omfatter:	
		Utilsigtet tryk på instrumentets aktiveringsknap under tilslutning til instrumentet.	Fjern alt, der trykker på instrumentets aktiveringsknap, og tilslut instrumentet igen.
Instrumentkontakten fungerer ikke.	Udskift instrumentet.		

Ugyldigt instrument	<ul style="list-style-type: none"> • En enkeltpulserende alarmtone • Instrumentstikkets display lyser op og forbliver rødt • Generatoren tillader ikke levering af RF-energi 	Et ubrugeligt instrumenter blevet tilsluttet.	<ol style="list-style-type: none"> 1. Afbryd forbindelsen mellem instrumentet og generatoren. 2. Sørg for, at instrumentet er CoolSeal™-kompatibelt 3. Gentilslut instrumentet til generatoren. 4. Bekræft, at visningen af instrumentstikkets display lyser grønt <p>Hvis instrument-fejlen forekommer igen:</p> <ul style="list-style-type: none"> • Brug ikke instrumentet • Brug et andet CoolSeal™-instrument.
		Mulige brugsforhold omfatter:	
		Det tilsluttede instrument er ikke kompatibelt med CoolSeal™-teknologi.	Bekræft instrumentets kompatibilitet med CoolSeal™-teknologi ud fra instrumentets brugsanvisning.
		Det tilsluttede instrument er brugt tidligere.	Kassér instrumentet.
		Instrumentet kan ikke bruges med softwareversion.	<p>Bekræft, at den softwareversion, der kræves af instrumentet, ikke er nyere end den softwareversion, der er angivet i bunden af CoolSeal™-generatoren.</p> <p>For en softwareopgradering henvises til afsnittet Softwareopgradering.</p>

Kapitel 4. Efter operation

Dette kapitel dækker følgende emner:

- Slukning af CoolSeal™-generatoren
- Klargøring af CoolSeal™-generatoren til genbrug

Forsigtig

Læs alle advarsler, forsigtighedsregler og instruktioner, der følger med denne generator, før brug. Specifikke instruktioner for CoolSeal™-instrumenter er ikke inkluderet i denne vejledning. Der henvises til CoolSeal™-instrumentets brugsanvisning for advarsler, forsigtighedsregler og anvendelse.

Slukning af CoolSeal™-generatoren

1. Sluk for systemet ved at trykke på standby-knappen (⏻) foran på enheden. Vær opmærksom på følgende:
 - Lyset på tænd/sluk-/standby-knappen slukkes.

Hvis det er nødvendigt, kan generatoren slukkes ved at fjerne elledningens tilslutning fra enten strømindgangen eller væggen.

Klargøring af CoolSeal™-generatoren til genbrug

Trin 1 – Frakobling af CoolSeal™-instrumenterne

1. Kobl instrumentet fra frontpanelet.
2. Bortskaf instrumentet til engangsbrug i overensstemmelse med institutionens procedurer.

Trin 2 – Rengøring af CoolSeal™-generatoren

Advarsel

Fare for elektrisk stød

Sluk altid for CoolSeal™-generatoren, og tag den ud af stikkontakten før rengøring.

Bemærk

Rengør CoolSeal™-generatoren med ikke-brændbare midler og desinfektionsmidler, når det er muligt. Brug ikke slibende rengørings- eller desinfektionsmidler, opløsningsmidler eller andre materialer, der kan ridse panelerne eller beskadige generatoren, såsom klorinerede kulbrinter eller andre plastopløsningsmidler.

- Sluk for generatoren, og tag elledningen ud af stikkontakten.
- Aftør grundigt alle generatorens overflader og elledningen med en mild rengøringsopløsning eller desinfektionsmiddel og en fugtig klud. Hvis der anvendes klorbaseret blegemiddel, skal det fortyndes inden rengøring.
- Følg procedurer, der er godkendt af din institution, eller brug godkendte infektionskontrolprocedurer.
- Undlad at nedsænke, skylle kraftigt eller på anden måde lade væsker trænge ind i chassiset.

Kapitel 5. Fejlfinding

Dette kapitel dækker følgende emner:

- Generelle retningslinjer for fejlfinding
- Korrigerende af fejlfunktioner

Forsigtig

Læs alle advarsler, forsigtighedsregler og instruktioner, der følger med denne generator, før brug. Specifikke instruktioner for CoolSeal™-instrumenter er ikke inkluderet i denne vejledning. Der henvises til CoolSeal™-instrumentets brugsanvisning for advarsler, forsigtighedsregler og anvendelse.

Generelle retningslinjer for fejlfinding

Hvis CoolSeal™-generatoren ikke fungerer korrekt, skal du kontrollere for åbenlyse forhold, der kan have forårsaget problemet:

- Kontrollér, at alle ledninger er tilsluttet og fastgjort korrekt.
- Kontrollér systemet for synlige tegn på fysisk skade.
- Sluk for systemet, og tænd det igen.

Hvis fejlfunktionen fortsætter, kan systemet kræve service. Kontakt din institutions afdeling for biomedicinsk teknik, Bolder Surgical eller den autoriserede forhandler.

Hvis der opstår hændelser under brugen af CoolSeal™-systemet, skal brugerne rapportere disse problemer direkte til Bolder Surgical via telefon (+1 866.683.1743) eller via e-mail (complaints@boldsurg.com) og til det lokale bemyndigede organ.

Korrigerende af fejlfunktioner

Hvis en løsning ikke er tydelig, bruges nedenstående tabel til at hjælpe med at identificere og korrigerende specifikke funktionsfejl. Når du har rettet fejlen, skal du kontrollere, at systemet fuldfører selvtesten som beskrevet i kapitlet Systemopsætning.

Unormalt patientrespons:

Tilstand:	Årsager:	Sådan løses:
Unormal neuromuskulær stimulering (stands operation med det samme)	Gnister metal-mod-metal	Kontrollér alle forbindelser til CoolSeal™-generatoren.
	Unormal 50 Hz-60 Hz lækstrøm	Brug en reserve CoolSeal™-generator. Kontakt afdelingen for biomedicinsk teknik eller en teknisk servicerepræsentant fra Bolder Surgical™ for at få hjælp.

Fejlfunktion af CoolSeal™-generatoren:

Tilstand:	Årsager:	Sådan løses:
CoolSeal™-generatoren reagerer ikke, når den er tændt	Frakoblet elledning eller defekt vægkontakt	Kontrollér elledningsforbindelserne (CoolSeal™-generator og vægkontakt). Sæt elledningen i en stikkontakt, der virker.
	Defekt elledning	Udskift elledningen.
	Sikringerne er sprunget	Kontakt afdelingen for biomedicinsk teknik eller en teknisk servicerepræsentant fra Bolder Surgical™ for at få hjælp.
	Funktionsfejl i intern komponent	Brug en reserve CoolSeal™-generator. Kontakt afdelingen for biomedicinsk teknik eller en teknisk servicerepræsentant fra Bolder Surgical™ for at få hjælp.

Systemet er tændt, men fuldførte ikke selvtesten eller stoppede med at fungere under brug – en enkelt pulstone og tænd/sluk-knappen lyser rødt	Enhed opbevaret på et koldt sted	Lad enheden varme op til omgivende temperatur.
	Genoprettelig softwarefunktionsfejl	Brug en reserve CoolSeal™-generator. Kontakt afdelingen for biomedicinsk teknik eller en teknisk servicerepræsentant fra Bolder Surgical™ for at få hjælp.
	Funktionsfejl i intern komponent eller ikke-genoprettelig fejlfunktion i software	Funktionsfejl i intern komponent.
Systemet er tændt med en enkelt tone og instrumentstikkets display blinker gult .	System initieret med defekt instrument tilsluttet til instrumentstik	Frakobl instrumentet. Sluk for CoolSeal™-generatoren.
	Forkert eller udløbet instrument	Tænd for CoolSeal™-generatoren. Sæt stikket i instrumentet.
	Fejl på instrumentet	Udskift instrumentet, hvis fejlfunktionen fortsætter.
	CoolSeal™-instrumentet kan ikke bruges med softwareversion	Bed din afdeling for biomedicinsk teknik om at rådføre sig med fabrikanten af udstyret. For en softwareopgradering henvises til afsnittet Softwareopgradering.
Systemet er tændt, strømknappen lyser grønt , når instrumentet tilsluttes, der høres en enkelt tone , og der vises et rødt instrumentstik.	Instrumentgenkendelse mislykkedes pga. intermitterende forbindelse	Fjern instrumentstikket Sæt instrumentet godt fast igen.
	Genoprettelig softwarefunktionsfejl	Sluk for systemet, og tænd det derefter igen.
	Funktionsfejl i intern komponent eller ikke-genoprettelig fejlfunktion i software	Brug en reserve CoolSeal™-generator. Kontakt afdelingen for biomedicinsk teknik eller en teknisk servicerepræsentant fra Bolder Surgical™ for at få hjælp.
CoolSeal™-generatoren er tændt, og instrumentet er aktiveret, men systemet leverer ikke output – ingen toner eller aktiveringsdisplay	Der findes en alarmtilstand	Se afsnittet Alarmtilstande.
	Systemet registrerer ikke karforseglingssystemet	Sæt konnektoren godt fast i stikket på CoolSeal™-generatorens frontpanel. Sørg for, at stikdisplayet lyser grønt for at angive, at et CoolSeal™-instrument er korrekt placeret og genkendt.
	Funktionsfejl i intern komponent eller ikke-genoprettelig fejlfunktion i software	Kontakt afdelingen for biomedicinsk teknik eller en teknisk servicerepræsentant fra Bolder Surgical™ for at få hjælp.
Ufuldstændig forsegling/genaktivering – Tre-impulstone lyder, den gule aktiveringsskærm på generatorens frontpanel og RF-udgangen er deaktiveret	Forseglingscyklussen var over 5 sekunder	Der kræves ekstra tid og energi til at fuldføre forseglingscyklussen. Genaktiver forseglingscyklussen uden at fjerne eller flytte instrumentet.
	ELLER	
	Håndkontakten blev sluppet, inden sluttonen lød	Efterse forseglingen visuelt, før der skæres.
	Metal eller andre fremmedlegemer gribes inde i kæberne	Undgå at gribe fat om genstande, såsom hæfteklammer, clips eller indkapslede suturer i instrumentets kæber.
	Væv, der er grebet inden i kæberne, er for tyndt	Åbn kæberne og bekræft, at der er en tilstrækkelig mængde væv inde i kæberne. Øg om nødvendigt mængden af væv, og gentag proceduren.
	Væskeansamlinger omkring instrumentspidsen	Minimér eller fjern overskydende væske. Rengør elektrodespidser og kæber med en våd gazepude.
	Instrumentet er blevet aktiveret i fri luft	Slip aktiveringsknappen. Grib fat om vævet, og aktiver forseglingscyklussen.
Instrumentet er tilsluttet, men karforseglingen aktiveres ikke	Instrumentet er ikke sat helt ind i instrumentstikket	Frakobl instrumentet, tilslut det igen, og vent et øjeblik.

Potentielle interaktioner med andre enheder:

Tilstand:	Årsager:	Sådan løses:
Kontinuerlig overvågningsinterferens	Fejlbehæftet skærm	Der henvises til monitorens brugsanvisning for fejlfinding.
	Defekte chassis-til-jord-forbindelser	Kontrollér og korriger chassisets jordforbindelser for monitoren og for CoolSeal™-generatoren. Kontrollér andet elektrisk udstyr i lokalet for defekte jordforbindelser.
	Elektrisk udstyr er jordforbundet til forskellige genstande i stedet for en fælles jordforbindelse. CoolSeal™-generatoren kan reagere på de resulterende spændingsforskelle mellem jordforbundne genstande.	Tilslut alt elektrisk udstyr til netstrømmen på samme sted. Kontakt afdelingen for biomedicinsk teknik eller en teknisk servicerepræsentant fra Bolder Surgical™ for at få hjælp.
	Hvis interferensen fortsætter, når CoolSeal™-generatoren aktiveres, reagerer monitoren på udstrålede frekvenser.	Bed din afdeling for biomedicinsk teknik om at rådføre sig med monitorens fabrikant. Nogle fabrikanter tilbyder RF-chokerfiltre til brug i monitorledninger. Filtrene reducerer interferens, når CoolSeal™-generatoren aktiveres, og minimerer risikoen for elektrokirurgisk forbrænding på monitorelektrodens sted.
Pacemaker-interferens	Intermitterende forbindelser eller metal-mod-metal gnister	Overvåg altid patienter med pacemakere under operationen, og hav en defibrillator til rådighed.
Aktivering af intern hjertedefibrillator (ICD)	ICD aktiveres af CoolSeal™-generatoren	Stop proceduren, og kontakt ICD-fabrikanten for anvisninger.
Interferens med andet udstyr, når CoolSeal™-generatoren er aktiveret	Elektrisk inkonsistente jordledninger på operationsstuen	Kontrollér, at alle jordledninger er så korte som muligt og går til det samme jordforbundne metal.
	Hvis interferensen fortsætter, når CoolSeal™-generatoren aktiveres, reagerer anordningen på udstrålede frekvenser.	Bed din afdeling for biomedicinsk teknik om at rådføre sig med fabrikanten af udstyret.

Kapitel 6. Periodisk funktionstest, vedligeholdelse og service

Dette kapitel indeholder følgende oplysninger:

- Fabrikantens ansvar
- Periodisk funktionstest og vedligeholdelse
- Returnering af generatoren til service
- Softwareopgraderinger

Forsigtig

Læs alle advarsler, forsigtighedsregler og instruktioner, der følger med denne generator, før brug. Specifikke instruktioner for CoolSeal™-instrumenter er ikke inkluderet i denne vejledning. Der henvises til CoolSeal™-instrumentets brugsanvisning for advarsler, forsigtighedsregler og anvendelse.

Fabrikantens ansvar

Bolder Surgical er kun ansvarlig for CoolSeal™-generatorens sikkerhed, pålidelighed og ydeevne, hvis alle følgende betingelser er opfyldt:

- Installations- og opsætningsprocedurerne i denne vejledning følges.
- Personer, der er autoriseret af Bolder Surgical, udfører samling, betjening, omjusteringer, modifikationer eller reparationer.
- Den elektriske installation i det relevante lokale overholder lokale regler og lovmæssige krav, såsom IEC og BSI.
- Udstyret bruges i overensstemmelse med brugsanvisningen fra Bolder Surgical. For garantioplysninger henvises der til afsnittet Garanti i denne vejledning.

Periodisk funktionstest og vedligeholdelse

Hvornår skal der udføres periodisk funktionstest?

Bolder Surgical anbefaler, at der udføres en periodisk funktionstest af CoolSeal™-generatoren mindst én gang hvert andet år. Den periodiske funktionstest må kun udføres af en kvalificeret biomedicinsk tekniker, eller CoolSeal™-generatoren kan returneres til Bolder Surgical eller dets forhandler til periodisk funktionstestning. Se Bilag A for detaljerede anvisninger om den periodiske funktionstest.

Hvornår skal elledningen udskiftes?

Udskift elledningen, hvis du finder blotlagte ledninger, revner, flossede kanter eller et beskadiget stik.

Hvornår skal sikringerne udskiftes?

Hospitalets afdeling for biomedicinsk teknik kan lejlighedsvis have brug for at udskifte sikringer. Sikringer skal enten udskiftes, når en sikring af sig selv har beskyttet CoolSeal™-generatoren, eller som specificeret af hospitalets biomedicinske tekniker for forebyggende vedligeholdelse. Hvis der opstår gentagne sikringsvigt i løbet af en kort periode, må du ikke fortsætte med at udskifte sikringerne, og CoolSeal™-generatoren skal sendes til service.

Hvordan kan sikringerne udskiftes?

1. Sluk for generatoren, og tag elledningen ud af stikkontakten.
2. Tag systemets elledning ud af den elektriske indgang på bagpanelet.
3. Frigør sikringsbakken fra under den elektriske indgang.
4. Fjern begge sikringer.
5. Sørg for, at der er sikringer, der er normeret ifølge mærkningen under den elektriske indgang på bagpanelet.
6. Indsæt begge sikringer.
7. Indsæt sikringsbakken, og lås den.

Produktservice

Advarsel

Fare for elektrisk stød: Dækslet på CoolSeal™-generatoren må ikke fjernes.

Forsøg ikke at udføre service på CoolSeal™-generatoren. Al service og reparation skal udføres af autoriseret personale fra Bolder Surgical™.

Returnering af CoolSeal™-generatoren til service

Inden du returnerer CoolSeal™-generatoren, skal du kontakte din Bolder Surgical™-salgsrepræsentant for at få hjælp. Hvis du bliver bedt om at sende generatoren til Bolder Surgical, skal du gøre følgende:

1. Ring til det lokale Bolder Surgical™-kundeservicecenter for at få et returautorisationsnummer. Hav følgende oplysninger klar, når du ringer:
 - Navn på hospital/klinik/kundenummer
 - Dit telefonnummer
 - Afdeling/adresse, by, stat og postnummer
 - Modelnummer
 - Serienummer
 - Beskrivelse af problemet
 - Type service, opgradering eller reparation, der skal udføres
2. Rengør CoolSeal™-generatoren.
 - Se afsnittet Rengøring ovenfor.
3. Send CoolSeal™-generatoren.
 - Sæt et mærke på generatoren, der indeholder returautorisationsnummeret og oplysningerne (hospital, telefonnummer osv.), der er angivet i trin 1.
 - Sørg for, at generatoren er helt tør, før den pakkes til forsendelse. Pak den ind i den oprindelige forsendelsesbeholder, hvis tilgængelig.
 - Send generatoren, forudbetalt, til Bolder Surgical™-servicecenteret.

Softwareopgraderinger

Personale fra Bolder Surgical™ skal udføre softwareopgraderinger. Se *Returnering af CoolSeal™-generatoren til service* (ovenfor) for anvisninger.

Kapitel 7. Tekniske specifikationer

Alle specifikationer er nominelle og kan ændres uden varsel.

En specifikation, der kaldes "typisk", er inden for $\pm 20\%$ af en angivet værdi ved stuetemperatur (25 °C / 77 °F) og en nominal linjeindgangsspænding.

Forsigtig

Læs alle advarsler, forsigtighedsregler og instruktioner, der følger med denne generator, før brug. Specifikke instruktioner for CoolSeal™-instrumenter er ikke inkluderet i denne vejledning. Der henvises til CoolSeal™-instrumentets brugsanvisning for advarsler, forsigtighedsregler og anvendelse.

Ydeevnekarakteristika

Generelt

Udgangskonfiguration:	Isoleret udgang
Afkøling:	Omgivende naturlig konvektion
Visning:	Indikatorlamper og standby-afbryder
Forbindelsesporte:	Detektion af LED-oplyst stik
Montering:	Hængeplatformssystemer på operationsstuer Enhver stabil, flad overflade som f.eks. et bord eller en vogn

Dimensioner og vægt

Bredde:	30,5 cm (12 tommer)
Dybde:	38,1 cm (15 tommer)
Højde:	10,9 cm (4,3 tommer)
Vægt:	5,4 kg (12 pund)

Driftsparametre

Område for omgivende temperatur:	+10 °C til +35 °C
Relativ luftfugtighed:	30 % til 75 % (ikke-kondenserende)
Atmosfærisk tryk:	67 kilopascal til 111 kilopascal
Opvarmningstid:	Hvis den transporteres eller opbevares ved temperaturer uden for driftstemperaturområdet, skal CoolSeal™-generatoren have en time til at nå driftstemperaturen før brug.

Transport og opbevaring

Område for omgivende temperatur:	-20 °C til +60 °C
Relativ luftfugtighed:	0 % til 90 % (ikke-kondenserende)
Atmosfærisk tryk:	46 kilopascal til 111 kilopascal

Indbygget hukommelse

Ikke-flygtig:	RAM
Opbevaringskapacitet:	Hukommelse kan gemme oplysninger for de sidste 2000 forseglingscykluser. Data er ikke patientspecifikke og ikke brugertilgængelige.

Aktiveringstone

De lyd niveauer, der er angivet nedenfor, er til aktiveringstøner for forsegling i en afstand af én meter.

Volumen (justerbar):	40 dBA til 80 dBA
Frekvens	
CoolSeal™-forsegling:	349,2 Hz
Varighed:	Kontinuerlig mens systemet aktivt leverer RF-energi

Alarmtoner

Volumen (justerbar):	65 dBA til 80 dBA
Frekvens	
Systemfejl og instrumentfejl:	En enkelt 550 msek. toneimpuls Høj = 2637 Hz, lav = 440 Hz 550 msek.
Forsegling fuldført:	Tre sekventielle toner 349,2 Hz, 392 Hz og 440 Hz 75 msek., 150 msek. og 300 msek. varighed
Genaktivering/ ufuldstændig forsegling:	Tre toneimpulser Høj = 2489 Hz, lav = 349,2 Hz 80 msek. impulser, 100 msek. pauser mellem

Indgangsstrøm

Maksimal strøm ved nominel netspænding: 110 W
Netstrøm (maksimum) Dvale: 250 mA Forsegling: 1 A
Netfrekvensområde (nominel): 50 Hz til 60 Hz
Netspændingsområde (nominel): 100-240 V
Sikringer (2): Type T5AH 250 V eller tilsvarende, 5 mm x 20 mm 5 A, 250 V, langsom, høj brydeevne
Strømindgang: IEC 60320 C14

Specifikation af elledning

Denne enhed er fra fabrikken udstyret med en 110 VAC elledning af hospitalskvalitet med et NEMA5-15-netstik. Når vekselstrømsledningen udskiftes, så den passer til en anden netstikkonfiguration, skal udskiftningsstikket/kablet/stikkets konfiguration opfylde eller overstige følgende specifikationer:

100-120 VAC

Kabel:	SJT 18/3, IEC-farvekode, maks. længde 3 m (10 fod)
Stik til lysnet:	Hospitalskvalitet, opfylder kravene i det lokale land
Minimum:	10 A - 125 VAC
Enhedsstikkontakt:	IEC 60320 C13, minimum 10 A - 125 VAC

220-240 VAC

Kabel:	H05VVF3G1.0, maks. længde 3 m (10 fod)
Stik til lysnet:	Hospitalskvalitet, opfylder kravene i det lokale land
Minimum:	6 A - 250 VAC
Enhedsstikkontakt:	IEC 60320 C13, minimum 6 A - 250 VAC

Tekniske specifikationer

Indgangsfrekvens

CoolSeal™-generatoren fungerer inden for specifikationerne ved alle linjeindgangsfrekvenser mellem 47 Hz og 63 Hz. Brugeren behøver ikke at omkonfigurere CoolSeal™-generatoren til forskellige linjefrekvenser.

Indgangsstrøm

CoolSeal™-generatoren trækker ikke mere end 5 A ved nogen indgangsspænding.

Reservestrøm

CoolSeal™-generatoren bevarer kalibrerings- og statistiske data, når den er slukket og ikke tilsluttet. CoolSeal™-generatoren fungerer inden for specifikationerne, når den skifter over til en forsyningsledning med hospitalets backupsystemer.

Ækvipotentiaforbindelse

Der findes en ækvipotentiaforbindelse på bagsiden af CoolSeal™-generatoren for at muliggøre tilslutning af en potentialudligningsleder, hvis det er nødvendigt.

Driftscyklus

Under maksimale effektindstillinger og nominelle belastningsforhold kan CoolSeal™-generatoren køre en driftscyklus på 25 %, defineret som 5 sekunders aktiv RF-levering og 15 sekunders inaktiv.

Lavfrekvent lækstrøm (50/60 Hz)

Overholder IEC 60601-1, udg. 3.1




















Grænser for lav frekvens:

Jordlækage:	5 mA normale forhold	10 mA enkelt fejltilstand
Berøringsstrøm:	100 µA normale forhold	500 µA enkelt fejltilstand
Patientlækage: <i>(baseret på anvendt del af type CF)</i>	10 µA normale forhold	50 µA enkelt fejltilstand (jævnstrøm eller vekselstrøm)
Patientlækage med netstrøm på den anvendte del af F-typen: <i>(baseret på den anvendte del af type CF)</i>		50 µA

Standarder og IEC-klassificeringer

CoolSeal™-generatoren opfylder alle relevante paragraffer i IEC 60601-1 udg. 3.1, IEC 60601-1-2 udg. 4.0 og IEC 60601-2-2 udg. 6.0.

Symboler

	Se brugsanvisningen		Indgangsstrøm (net)
	Advarsel, elektricitet For at reducere risikoen for elektrisk stød må dækslet ikke fjernes. Serviceeftersyn må kun udføres af kvalificeret servicepersonale.		Udgangseffekt (RF)
	Serienummer		Standby, strøm
	Autoriseret repræsentant i EU		Temperaturgrænse
	Katalog-, genbestillings- eller referencenummer		Fugtighedsgrænse
	Medicinsk udstyr		Grænse for atmosfærisk tryk
	Fabrikant		Opbevares tørt
	Fremstillingsdato		Kun klassificeret med hensyn til elektrisk stød, brand og mekaniske farer i overensstemmelse med IEC 60601-1 og CAN/CSA C22.2 Nr. 601.1.
	Generatoren er beregnet til en type CF anvendt del		Overholder kravene i FCC, del 15.
	Ækvipotentialet		Justering af lydstyrken for aktiveringstoner, med uret øger lydstyrken
	Sikring		Udstyret må ikke bortskaffes som affald

Klassifikationer

Klasse I udstyr (IEC 60601-1)

Tilgængelige ledende dele kan ikke blive strømførende i tilfælde af en grundlæggende isoleringsfejl på grund af den måde, hvorpå de er forbundet til den beskyttende jordleder.

Elektromagnetisk kompatibilitet (IEC 60601-1-2)

Denne enhed overholder afsnit 15 i FCC-reglerne. Drift er underlagt følgende to betingelser:

- (1) Denne enhed må ikke forårsage skadelig interferens, og
- (2) Denne enhed skal acceptere enhver modtaget interferens, herunder interferens, der kan forårsage uønsket drift.

Type CF-udstyr (IEC 60601-1)

Denne generator yder en høj grad af beskyttelse mod elektrisk stød, især med hensyn til tilladte lækstrømme. Det er type CF-isoleret (flydende) output og kan anvendes til procedurer, der involverer hjertet.

IP XX Væskeindtrængning/-spild (IEC 60601-1 og IEC 60601-2-2)

CoolSeal™-generatoren er konstrueret således, at vækspild ved normal brug ikke gør elektrisk isolering eller andre komponenter våde, som ved vædning sandsynligvis vil påvirke udstyrets sikkerhed negativt.

Spændingstransienter – Overførsel af energiplatformens netstrøm (IEC60601-1 og IEC 60601-2-2)

CoolSeal™-generatoren fortsætter med at fungere normalt uden fejl eller systemfejl, når den overføres mellem ledningens vekselstrøm og en nødenergiplatforms spændingskilde. (DVS. 60601-1- 2)

Elektromagnetisk kompatibilitet (IEC 60601-1-2 og IEC60601-2-2)

CoolSeal™-generatoren overholder de relevante IEC 60601-1-2- og 60601-2-2-specifikationer vedrørende elektromagnetisk kompatibilitet.

Advarsel

Brug af dette udstyr ved siden af eller stablet med andet udstyr bør undgås, da det kan resultere i forkert drift. Hvis en sådan brug er nødvendig, skal dette udstyr og det andet udstyr observeres for at bekræfte, at de fungerer normalt.

Bærbart RF-kommunikationsudstyr (herunder periferudstyr såsom antennekabler og eksterne antenner) må ikke anvendes tættere end 30 cm (12 tommer) på nogen del af CoolSeal™-generatoren, herunder kabler specificeret af Bolder Surgical. Ellers kan det medføre forringelse af udstyrets ydeevne.

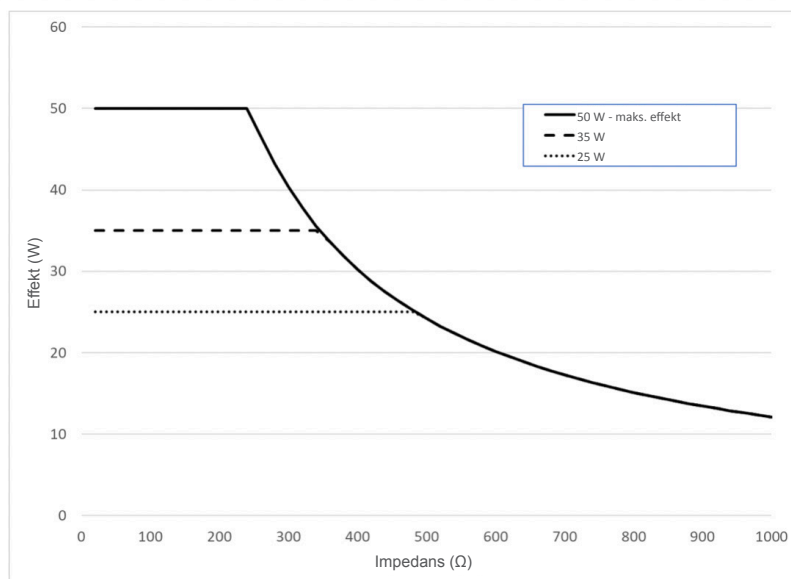
Udgangskaraktistika

Maksimal udgangseffekt for CoolSeal™-generatoren

Effektaflæsninger stemmer overens med den faktiske effekt til den nominelle belastning til inden for 20 % eller 5 watt, alt efter hvad der er størst.

Spidsspænding for åbent kredsløb (maks.)	Nominel belastning	Nominel udgangseffekt (maks.)	Amplitudeforhold	Bølgeform driftscyklus
190 V	20 Ω	50 W	1,9	100 %

Udgangseffekt vs. impedansgraf



Elektromagnetisk immunitet

Vejledning og producentens erklæring – elektromagnetiske emissioner

CoolSeal™-generatoren er beregnet til brug i det elektromagnetiske miljø specificeret nedenfor. Kunden eller brugeren af CoolSeal™-generatoren skal sikre, at den anvendes i et sådant miljø.

RF-emissioner CISPR 11	Gruppe 2	CoolSeal™-generatoren skal udsende elektromagnetisk energi for at kunne udføre dens tilsigtede funktion. Elektronisk udstyr i nærheden kan blive påvirket.
Ledningsbårne emissioner EN 55011:2009+A1:2010, CISPR 11:2009+A1:2010	Klasse A	
Udstrålede emissioner EN 55011:2009+A1:2010, CISPR 11:2009+A1:2010	Klasse A	
Harmoniske emissioner IEC/EN 61000-3-2:2014	Klasse A-udstyr	
Spændingsudsving/flimmeremissioner IEC/EN 61000-3-3:2013	Pr. paragraf 5 af standarden	

Grundlæggende sikkerhed i henhold til IEC 60601-1 er det ydelseskrav, der anvendes under immunitetstestning. Væsentlig præstation gælder ikke.

Bemærk

Dette udstyrs EMISSIONS-egenskaber gør det egnet til brug i industriområder og på hospitaler (CISPR 11 klasse A). Hvis det anvendes i et boligmiljø (hvor der normalt kræves CISPR 11 klasse B), vil dette udstyr muligvis ikke yde tilstrækkelig beskyttelse for RF-kommunikationstjenester. Brugeren kan være nødt til at træffe afhjælpende foranstaltninger, såsom at flytte eller vende udstyret.

Vejledning og producentens erklæring – elektromagnetisk immunitet

CoolSeal™-generatoren er beregnet til brug i det elektromagnetiske miljø specificeret nedenfor. Kunden eller brugeren af CoolSeal™-generatoren skal sikre, at den anvendes i et sådant miljø.

Immunitetstest	IEC 60601-testniveau	± Overholdelses-niveau	Elektromagnetisk miljø – vejledning
Elektrostatisk afladning IEC/EN 61000-4-2	± 8 kV kontaktudledning ± 2, 4, 8 og 15 kV luftudledning	± 8 kV kontaktudledning ± 2, 4, 8 og 15 kV luftudledning	Gulve skal være af træ, beton eller keramiske fliser. Hvis gulvene er dækket med syntetisk materiale, skal den relative luftfugtighed være mindst 30 %.
Udstrålet immunitet IEC 61000-4-3:2006 + A1:2008 +A2:2010	80 MHz - 6 GHz 3 V/m 80 % ved 1 kHz 28 V/m enkelt frekvenser 385 MHz – 2,7 GHz pulsmodulering	80 MHz - 6 GHz 3 V/m 80 % ved 1 kHz 28 V/m enkelt frekvenser 385 MHz – 2,7 GHz pulsmodulering	Bærbart og mobilt RF-kommunikationsudstyr må ikke anvendes nærmere nogen del af CoolSeal™-generatoren, inklusive kabler, end den anbefalede separationsafstand, der er beregnet ud fra den ligning, der gælder for senderens frekvens.
Nærhedsfelt fra trådløst RF-kommunikationsudstyr IEC 61000-4-3	I henhold til tabel 9 af IEC 60601-1-2-standarden	Se tabellen på næste side med frekvensområder og testbetingelser for RF trådløst kommunikationsudstyr	Anbefalet sikkerhedsafstand $d = [2] \sqrt{P}$ hvor P er senderens maksimale udgangseffekt i watt (W) ifølge producenten af senderen, og d er den anbefalede separationsafstand i meter (m). Feltstyrker fra faste RF-sendere, som bestemt ved en elektromagnetisk undersøgelse af stedet ^a , skal være mindre end overensstemmelsesniveauet i hvert frekvensområde ^b .
Ledet immunitet (vekselstrøm) (I/O-linjer) IEC/EN 61000-4-6	0,15-80 MHz 3 Vrms og 6 Vrms i ISM-bånd 1 kHz Vekselstrømsnet	0,15-80 MHz 3 Vrms og 6 Vrms i ISM-bånd 1 kHz Vekselstrømsnet	ISM-båndene (industrielle, videnskabelige og medicinske) mellem 0,15 MHz og 80 MHz er 6765 MHz til 6795 MHz; 13553 MHz til 13567 MHz; 26957 MHz til 27283 MHz; og 40,66 MHz til 40,70 MHz.
Elektriske hurtige transienter (vekselstrøm) IEC/EN 61000-4-4	± 2 kV vekselstrømsnet ± 1 kV – I/O-linjer 5/50 5 kHz og 100 kHz	± 2 kV vekselstrømsnet ± 1 kV – I/O-linjer 5/50 5 kHz og 100 kHz	Netstrømskvaliteten skal være som for et typisk kommercielt miljø eller hospitalsmiljø.
Overspænding linje til linje (vekselstrøm) IEC/EN 61000-4-5	± 1 kV Linje til linje Linje til jord	± 1 kV Linje til linje Linje til jord	Netstrømskvaliteten skal være som for et typisk kommercielt miljø eller hospitalsmiljø.
Magnetisk immunitet IEC/EN-61000-4-8	30 A/m 50/60 Hz	30 A/m 50/60 Hz	Netfrekvensmagnetfelter skal være på niveauer, der er karakteristiske for et typisk kommercielt eller hospitalsmiljø.
Spændingsdyk og afbrydelser IEC/EN 61000-4-11	0 % UT 0,5 cyklus 0 % UT 1 cyklus 70 % UT 25 cyklusser 0 % UT 5 sek.	0 % UT 0,5 cyklus 0 % UT 1 cyklus 70 % UT 25 cyklusser 0 % UT 5 sek.	Hvis brugeren af CoolSeal™-generatoren kræver uafbrudt drift under strømafbrydelser, anbefales det, at CoolSeal-generatoren får strøm fra en nødstrømsforsyning eller et batteri.

BEMÆRK: Disse retningslinjer gælder muligvis ikke i alle situationer. Elektromagnetisk spredning påvirkes af absorption og refleksion fra bygninger, genstande og mennesker.

^aFeltstyrker fra faste sendere, såsom basisstationer til radiotelefoner (mobile/trådløse) og landmobile radioer, amatørradioer, AM- og FM-radioudsendelser og tv-udsendelser kan ikke forudsiges teoretisk med nøjagtighed. For at vurdere det elektromagnetiske miljø forårsaget af faste RF-sendere bør en undersøgelse af det elektromagnetiske område overvejes. Hvis den målte feltstyrke på det sted, hvor CoolSeal™-generatoren anvendes, overstiger det gældende RF-overholdelsesniveau ovenfor, skal CoolSeal™-generatoren observeres for at bekræfte normal drift. Hvis der observeres unormal funktion, kan yderligere foranstaltninger være nødvendige, såsom at vende eller flytte CoolSeal™-generatoren.

^bOver frekvensområdet 150 kHz til 80 MHz bør feltstyrkerne være mindre end 3 V/m.

Vejledning og producentens erklæring – elektromagnetisk immunitet

Frekvensområder og testbetingelser for RF trådløst kommunikationsudstyr

Frekvensbånd (MHz)	Testfrekvens (MHz)	Modulation ^a	Overholdelsesniveau (V/m)
380 - 390	380 - 390	Puls – 18 Hz	27
430 - 470	450	FM ±5 kHz afvigelse 1 kHz sinus	28
704 - 787	710	Puls – 217 Hz	9
	745		
	780		
800 - 960	810	Puls – 18 Hz	28
	870		
	930		
1700 - 1990	1720	Puls – 217 Hz	28
	1845		
	1970		
2400 - 2570	2450	Puls – 217 Hz	28
5100 - 5800	5240	Puls – 217 Hz	9
	5500		
	5785		

^aPulsmodulation defineres som et firkantet bølgeinput med en 50 % driftscyklus ved den angivne frekvens.

BEMÆRK: Bærbart RF-kommunikationsudstyr må ikke anvendes tættere end 30 cm (12 tommer) på nogen del af CoolSeal™-generatoren, herunder kabler specificeret af Bolder Surgical. Ellers kan det medføre forringelse af udstyrets ydeevne.

Anbefalede separationsafstande mellem bærbart og mobilt RF-kommunikationsudstyr og CoolSeal™-generatoren

CoolSeal™-generatoren er beregnet til brug i et elektromagnetisk miljø, hvor udstrålede RF-forstyrrelser kontrolleres. Kunden eller brugeren af CoolSeal™-generatoren kan hjælpe med at forhindre elektromagnetisk interferens ved at opretholde en minimumsafstand mellem bærbart og mobilt RF-kommunikationsudstyr (sendere) og CoolSeal™-generatoren som anbefalet nedenfor, i henhold til kommunikationsudstyrets maksimale udgangseffekt.

Senderens nominelle maksimale udgangseffekt	Adskillelsesafstand fra sender $d = [2] \sqrt{P}$
0,01	0,20
0,1	0,63
1	2,00
10	6,32
100	20,00

For sendere, der er normeret til en maksimal udgangseffekt, som ikke er angivet ovenfor, kan den anbefalede separationsafstand d i meter (m) estimeres ved hjælp af den ligning, der gælder for senderens frekvens, hvor P er senderens maksimale udgangseffekt i watt (W) i henhold til senderens producent.

BEMÆRK: Disse retningslinjer gælder muligvis ikke i alle situationer. Elektromagnetisk spredning påvirkes af absorption og refleksion fra bygninger, genstande og mennesker.

Bilag A – Periodisk funktionstest

Formålet med testen er at bekræfte, at CoolSeal™-generatoren fungerer korrekt. Det anbefales, at denne test udføres mindst hvert andet år for at sikre, at den fungerer korrekt over tid. Der henvises til den endelige testdatoetiket for den sidste Bolder Surgical™ funktionelle testdato. Denne test kan bruges oftere, som påkrævet ifølge hospitalets retningslinjer.

Advarsel

CoolSeal™-generatorens kabinet må ikke åbnes. Der er ingen servicebare elementer i kabinettet. Der kræves yderligere testning for at bekræfte, at sikker drift opretholdes, når kabinettet er blevet åbnet. Denne test er kun tilgængelig på Bolder Surgical™-servicecenteret. Manglende overholdelse kan resultere i øget risiko for elektrisk stød.

Bemærk

Kun kvalificerede personer bør udføre CoolSeal™-funktionstesten.

Vigtigt

Der findes en valgfri formular nedenfor til registrering af resultaterne af den periodiske funktionstest.

Advarsel

Forsøg ikke at bruge funktionstestkablet til andre formål end de heri beskrevne trin. Må ikke anvendes klinisk.

Definitioner:

UUT – Enhed under test

ESA – Elektrisk sikkerhedsanalysator

ESuA – Elektrokirurgisk analysator

Nødvendigt udstyr:

UUT - CoolSeal™-generator – CSL-200-50

ESA - Fluke elektrisk sikkerhedsanalysator model ESA612 (eller tilsvarende)

ESuA - Fluke elektrokirurgisk analysatormodel QA-E SII, QA-ES III (eller tilsvarende)

Funktionstestkabel – CSL-FTC

Stopur

Kriterier for bestået/ikke bestået:

- Følg trinene beskrevet nedenfor for at opnå det angivne resultat. Gentag, hvis dette resultat ikke opnås.
- Kontakt Bolder Surgical for at arrangere service med henblik på at løse fejl eller uregelmæssigheder.
- Forsøg ikke at reparere CoolSeal™-generatoren.
- Forsøg på at reparere CoolSeal™-generatoren vil udgøre en overtrædelse af produktgarantien.

Fremgangsmåde:

REGISTRERING AF RESULTATER:

1. Man kan registrere resultaterne af følgende test på en kopi af den vedhæftede log. Efter hvert trin nedenfor skal du registrere resultatet i det tilsvarende afsnit som angivet af **<RECORD RESULTS> (REGISTRER RESULTATER)**. Registrer numeriske værdier, hvor angivet, og sæt ring om **P** for Pass (Bestået) eller **F** for Fail (Ikke bestået).

EFTERSYN:

1. Inspicér enheden for udvendige skader eller manglende komponenter. Der må ikke findes nogen skader eller manglende komponenter. **<RECORD RESULTS> (REGISTRER RESULTATER)**
2. Efterse elledningen for beskadigelse, og der må ikke findes nogen beskadigelse. **<RECORD RESULTS> (REGISTRER RESULTATER)**

INDIKATORLAMPER OG LYDINDIKATORER:

1. Tilslut strøm til UUT, og tryk på tænd/sluk-knappen. Tænd/sluk-knappen skal lyse GRØNT, og der skal høres en sekvens med tre (3) toner. En RØD tænd/sluk-knap, der lyser, indikerer en fejl i selvtesten ved opstart. **<RECORD RESULTS> (REGISTRER RESULTATER)**
2. Sæt funktionstestkablet i instrumentstikket, og instrumentstikkets display skal lyse hvidt. **<RECORD RESULTS> (REGISTRER RESULTATER)**
3. Sluk for strømmen til UUT. Tryk på aktiveringsknappen, og hold den nede. Tænd for strømmen, mens aktiveringsknappen holdes nede. Tænd/sluk-knappen lyser GRØNT, og der skal høres en sekvens med tre (3) toner efterfulgt af en anden tone, hvorefter instrumentstikkets display blinker GULT. **<RECORD RESULTS> (REGISTRER RESULTATER)**
4. Fjern funktionstestkablet, og sluk for UUT og tænd igen. Tænd/sluk-knappen skal være GRØN. Mens du trykker på aktiveringsknappen på det funktionelle testkabel og holder den nede, skal du indsætte funktionstestkablet i instrumentstikket. Der lyder en enkelt tone efterfulgt af, at instrumentstikkets display blinker GULT. **<RECORD RESULTS> (REGISTRER RESULTATER)**
5. Sluk for UUT og tænd igen for at nulstille fra det forrige trin. Sæt kontakten på funktionstestkablet i positionen 'Open' (åben), og tryk på aktiveringsknappen, og hold den inde. Aktiveringsdisplayet viser kortvarigt LYSLILLA og begynder forseglingstonen efterfulgt af et GULT display på ca. 1 sekund og den 3-tonede gengribealarm. Det lyder måske som 4-toner. **<RECORD RESULTS> (REGISTRER RESULTATER)**
6. Sæt kontakten på funktionstestkablet i positionen "Kort". Tryk og hold aktiveringsknappen nede, og bekræft, at aktiveringsdisplayet lyser LYSLILLA og varierer i intensitet fra slukket til fuld intensitet med forseglingstonen. Dette efterfølges af et GULT aktiveringsdisplay og en 3-tonealarm. **<RECORD RESULTS> (REGISTRER RESULTATER)**
7. Mens funktionstestkablets kontakt stadig er i den "korte" position, skal du forberede dig på at måle tiden med stopuret, fra du trykker på aktiveringsknappen indtil det GULE display. Tryk på aktiveringsknappen, og mål tiden af den LYSLILLA fase (forsegling). **<RECORD RESULTS> (REGISTRER RESULTATER)**
8. Mens funktionstestkablets kontakt stadig er i den "korte" position, skal du forberede dig på at dreje volumenknappen under den LYSLILLA fase (forseglingsfasen). Tryk på aktiveringsknappen, drej lydstyrkeknappen til hver ekstrem, og bekræft en lydstyrkeændring mellem minimum- og maksimumniveauer. **<RECORD RESULTS> (REGISTRER RESULTATER)**
9. Fjern testkablet, sluk for strømmen, og tag UUT ud.

TEST AF JORDFORBINDELSESKONTINUITET:

1. Tænd ESA
2. Sæt strømkablet fra UUT i ESA
3. Slut testledningen til V/Ω/A-stikket på ESA for at måle ohm (Ω).
4. Tilslut testledningen til ESA-jord-/nulstikket.
5. Sørg for, at ESA måler modstand (Ω)
6. Nulstil ESA.
7. Sæt testledningen på den ækvipotential UUT-tilslutning.
8. Registrer modstandsværdien set gennem strømkablet og UUT. **<RECORD RESULTS> (REGISTRER RESULTATER)**
9. Frakobl UUT fra ESA, og sluk for ESA.

TEST AF JORDLÆKAGE

1. Tænd ESA.
2. Sæt strømkablet fra UUT i ESA.
3. Sæt funktionstestkablet i instrumentstikket.
4. Indstil funktionstestkablet til Normal, stabl de RØDE og SORTE bananstik
5. Sæt de stablede konnektorer i RA/R-porten (modstand) på ESA
6. Brug indstillingen Micro Amp (Mikroamp.) (μA) og EARTH (JORD) til at udføre følgende testserier.
7. Normal/Closed (Normal/Lukket) **<RECORD RESULTS> (REGISTRER RESULTATER)**
8. Normal/Open (Normal/Åben) **<RECORD RESULTS> (REGISTRER RESULTATER)**
9. Reverse/Open (Tilbage/Åben) **<RECORD RESULTS> (REGISTRER RESULTATER)**
10. Reverse/Closed (Tilbage/Lukket) **<RECORD RESULTS> (REGISTRER RESULTATER)**
11. Fjern funktionstestkablet, og gentag ovenstående testserie.
12. Normal/Closed (Normal/Lukket) **<RECORD RESULTS> (REGISTRER RESULTATER)**
13. Normal/Open (Normal/Åben) **<RECORD RESULTS> (REGISTRER RESULTATER)**
14. Reverse/Open (Tilbage/Åben) **<RECORD RESULTS> (REGISTRER RESULTATER)**
15. Reverse/Closed (Tilbage/Lukket) **<RECORD RESULTS> (REGISTRER RESULTATER)**
16. Frakobl UUT fra ESA, og sluk for ESA.

IMPEDANSTESTER

1. Tænd ESuA
2. Tænd for UUT
3. Indstil kontakten på funktionstestkablet til Normal
4. Sæt de RØDE og SORTE funktionstestkabelstik i de tilsvarende ESuA VAR LOAD-stik.
5. Sæt funktionstestkablet ind i UUT
6. Bekræft, at tænd/sluk-knappen er GRØN, og at instrumentstikkets display er HVIDT, før der fortsættes.

Vigtigt

CoolSeal™-generatoren tester en række udgangseffekter. Den første aktivering er ved en udgangseffekt på 25 watt, den anden er ved en udgangseffekt på 35 watt og den tredje er ved en udgangseffekt på 50 watt. Den fjerde aktivering begynder denne sekvens igen. For at genstarte sekvensen fra et kendt udgangspunkt skal du blot tage funktionstestkablet ud og sætte det i igen.

Vigtigt

Når funktionstestkablet bruges, sætter CoolSeal™-generatoren enheden i fejltilstand, hvis den resistive belastning ændres betydeligt. Det er usandsynligt, at det sker under funktionstesten, men hvis det sker, skal du blot slukke og tænde for enheden igen for at nulstille den.

7. Indstil ESuA-belastningen til 25 ohm.
8. Start testen på ESuA.
9. Tryk og hold aktiveringsknappen nede.
10. Ved 25 ohm skal du observere den maksimale effektaflæsning ved 25 watt. **<RECORD RESULTS> (REGISTRER RESULTATER)**
11. Tryk og hold aktiveringsknappen nede.
12. Ved 25 ohm skal du observere den maksimale effektaflæsning ved 35 watt. **<RECORD RESULTS> (REGISTRER RESULTATER)**

-
13. Tryk og hold aktiveringsknappen nede.
 14. Ved 25 ohm skal du observere den maksimale effektaflæsning ved 50 watt. **<RECORD RESULTS> (REGISTRER RESULTATER)**
 15. Stop testen på ESuA.
 16. Indstil ESuA-belastningen til 50 ohm
 17. Start testen på ESuA.
 18. Tryk og hold aktiveringsknappen nede.
 19. Ved 50 ohm skal du observere den maksimale effektaflæsning ved 25 watt. **<RECORD RESULTS> (REGISTRER RESULTATER)**
 20. Tryk og hold aktiveringsknappen nede.
 21. Ved 50 ohm skal du observere den maksimale effektaflæsning ved 35 watt. **<RECORD RESULTS> (REGISTRER RESULTATER)**
 22. Tryk og hold aktiveringsknappen nede.
 23. Ved 50 ohm skal du observere den maksimale effektaflæsning ved 50 watt. **<RECORD RESULTS> (REGISTRER RESULTATER)**
 24. Stop testen på ESuA.
 25. Indstil ESuA-belastningen til 225 ohm
 26. Start testen på ESuA.
 27. Tryk og hold aktiveringsknappen nede.
 28. Ved 225 ohm skal du observere den maksimale effektaflæsning ved 25 watt. **<RECORD RESULTS> (REGISTRER RESULTATER)**
 29. Tryk og hold aktiveringsknappen nede.
 30. Ved 225 ohm skal du observere den maksimale effektaflæsning ved 35 watt. **<RECORD RESULTS> (REGISTRER RESULTATER)**
 31. Tryk og hold aktiveringsknappen nede.
 32. Ved 225 ohm skal du observere den maksimale effektaflæsning ved 50 watt. **<RECORD RESULTS> (REGISTRER RESULTATER)**
 33. Stop testen på ESuA.
 34. Sluk for alt og afbryd UUT fra testudstyret.

Oversigtsformular for periodisk funktionstest

Oversigtsformular til periodisk funktionstest side 1/2

Generator SN: _____

Trin	TEST	KRAV	Noterede værdier	Sær ring om Bestået (P)/ Ikke bestået (F)
Inspektion				
1	Udvendigt eftersyn af enheden	Ingen beskadigelse		P / F
2	Elledning	Ingen beskadigelse		P / F
Indikatorlys og lydindikatorer				
1	Normal opstart	GRØN tænd/sluk-knap og 3-tonet		P / F
2	Normal indføring af instrument	Hvidt stik-display		P / F
3	Knap sidder fast under opstart	1) GRØN tænd/sluk-knap og 3-tonet 2) 1-Tone og derefter blinkende GULT stik		P / F
4	Knap, der sidder fast, efter der er tændt for strømmen	1-Tone og derefter blinkende GULT stik		P / F
5	Test af åbent kredsløb	1) Kort LYSLILLA display med tone 2) GULT display med 3-tonealarm		P / F
6	Kortslutningstest	1) 4 sekunders LYSLILLA display med tone 2) GULT display med 3-tonealarm		P / F
7	Timing af forsegling	Ca. 4 sekunder med varierende LYSLILLA display	_____ sek.	P / F
8	Volumentest	Lydstyrken skifter mellem Min. og Maks. niveauer		P / F

Testpersonens navn

Underskrift

Dato

Overigtsformular til periodisk funktionstest side 2/2

Generator SN: _____

Trin	TEST	KRAV	Noterede værdier	Sær ring om Bestået (P)/ Ikke bestået (F)
Afprøvning af jordforbindelseskontinuitet				
8	Grundliggende kontinuitetsværdi	< 0,200 ohm	_____ ohm	P / F
Test af jordlækage				
7	Normal/lukket med kabel	< 0,500 μ A	_____ μ A	P / F
8	Normal/åben med kabel		_____ μ A	P / F
9	Tilbage/åben med kabel		_____ μ A	P / F
10	Tilbage/lukket med kabel		_____ μ A	P / F
12	Normalt/lukket intet kabel		_____ μ A	P / F
13	Normalt/åben intet kabel		_____ μ A	P / F
14	Tilbage/åben intet kabel		_____ μ A	P / F
15	Tilbage/lukket intet kabel		_____ μ A	P / F
Impedans				
10	Impedans 25 Ω /effekt 25 W	20 W – 30 W	_____ W	P / F
12	Impedans 25 Ω /effekt 35 W	28 W – 42 W	_____ W	P / F
14	Impedans 25 Ω /effekt 50 W	40 W – 60 W	_____ W	P / F
19	Impedans 50 Ω /effekt 25 W	20 W – 30 W	_____ W	P / F
21	Impedans 50 Ω /effekt 35 W	28 W – 42 W	_____ W	P / F
23	Impedans 50 Ω /effekt 50 W	40 W – 60 W	_____ W	P / F
28	Impedans 225 Ω /effekt 25 W	20 W – 30 W	_____ W	P / F
30	Impedans 225 Ω /effekt 35 W	28 W – 42 W	_____ W	P / F
32	Impedans 225 Ω /effekt 50 W	40 W – 60 W	_____ W	P / F

Testpersonens navn

Underskrift

Dato

Garanti

Bolder Surgical garanterer, at hvert produkt, der fremstilles, er uden defekter i materiale og udførelse ved normal brug og service i de(n) nedenfor angivne periode(r). Bolder Surgicals eneste forpligtelse og kundens eneste retsmiddel i tilfælde af brud på denne garanti er begrænset til reparation eller udskiftning, efter Bolder Surgicals eget valg, af ethvert produkt eller en del deraf, som er blevet returneret til kunden eller dennes distributør inden for den gældende tidsperiode, der er vist nedenfor efter levering af produktet til den oprindelige køber, og som undersøgelse afslører til Bolder Surgicals tilfredshed, at produktet er defekt. Denne garanti gælder ikke for noget produkt eller en del deraf, som er blevet repareret eller ændret af andre end Bolder Surgical eller dennes autoriserede repræsentanter, eller som har været udsat for misbrug, forsømmelse eller uheld. Garantiperioderne for kirurgiske Bolder-produkter er som følger:

Produkttype	Garantiperiode (tid efter forsendelse af Bolder Surgical)
CoolSeal™-generator	1 år fra forsendelsesdatoen

MED UNDTAGELSE AF OVENSTÅENDE BEGRÆNSEDE GARANTIER FRASKRIVER BOLDER SURGICAL, I DET OMFANG GÆLDENDE LOVGIVNING TILLADER DET, SIG UDTRYKKELIGT ALLE ANDRE GARANTIER, UDTRYKKELIGE, STILTIENDE ELLER LOVBESTEMTE, HERUNDER MEN IKKE BEGRÆNSET TIL STILTIENDE GARANTIER FOR SALGBARHED OG IKKE-KRÆNKELSE.

UANSET EVENTUELLE ANDRE BESTEMMELSER HERI ELLER I EVENTUELT ANDET DOKUMENT ELLER KOMMUNIKATION, DER MÅTTE VÆRE I MODSTRID HERMED, ER KIRURGISKE INDGREB UNDER INGEN OMSTÆNDIGHEDER ANSVARLIGE FOR TAB AF FORTJENESTE ELLER INDTÆGTER, TAB AF PRODUKT, TAB AF BRUG AF PRODUKTER, AFBRYDELSE AF FORRETNING ELLER FOR EVENTUELLE SÆRLIGE, FØLGEMÆSSIGE, TILFÆLDIGE, INDIREKTE, PØNALE ELLER EKSEMPLARISKE SKADER. BOLDER SURGICAL'S SAMLEDE ANSVAR FOR ALLE KRAV, DER OPSTÅR SOM FØLGE AF ELLER I FORBINDELSE MED DENNE AFTALE OG ETHVERT PRODUKT, ER BEGRÆNSET TIL GENERELLE PENGESKADER TIL ET BELØB, DER IKKE MÅ OVERSTIGE DEN SAMLEDE KØBSPRIS FOR DET PRODUKT, DER GIVER ANLEDNING TIL KRAVET. Disse begrænsninger og udelukkelse gælder, uanset om et krav er baseret på kontrakt, garanti, skadesløsholdelse, erstatning uden for kontraktmæssigt ansvar (herunder uagtsomhed), objektivt ansvar eller på anden måde. Bolder Surgical hverken påtager sig eller bemyndiger nogen anden part til på sine vegne at påtage sig noget andet ansvar i forbindelse med salg eller brug af nogen af Bolder Surgicals produkter.

Denne garanti og rettighederne og forpligtelserne herunder skal fortolkes i henhold til og reguleres af lovene i staten Colorado, USA. Ethvert søgsmål eller søgsmål fra eller relateret til denne garanti skal udelukkende anlægges ved de statslige eller føderale domstole i Boulder eller Denver, Colorado, USA, og enhver ret til at gøre indsigelse mod sådanne domstole frafaldes herved af kunden. Bolder Surgical, dets forhandlere og repræsentanter forbeholder sig ret til at ændre, modificere eller omdesignere deres produkter uden nogen forpligtelse til at ændre eller erstatte eventuelle produkter, som de tidligere har bygget og/eller solgt.

Inhaltsverzeichnis

Vorwort	80
In diesem Handbuch behandelte Geräte	80
Patentinformationen.....	80
Markenhinweise.....	80
Hergestellt von.....	80
Kontaktinformationen.....	80
In diesem Handbuch verwendete Konventionen	80
Kapitel 1. Übersicht und allgemeine Merkmale.....	81
Einführung.....	81
Indikation.....	81
Kontraindikationen	81
Vorderseite	82
Rückseite	82
Ansicht von unten.....	83
Liste der Zubehörteile	83
Kompatible Instrumente zur Gefäßversiegelung.....	83
Kapitel 2. Sicherheit von Patienten und Operationsaal	84
Warn- und Vorsichtshinweise	84
Überblick	84
Sicherheit der Geneitoreinrichtung.....	84
Elektromagnetische Verträglichkeit	85
Brandgefahr während einer Oropharynxoperation.....	85
Herzschrittmacher und ICD.....	85
Anschließen eines CoolSeal™ Instruments.....	86
Reinigen des CoolSeal™ Generators	86
Wartung des CoolSeal™ Generators	86
Kapitel 3. Einrichtung und Verwendung des CoolSeal™ Generators.....	87
Auspacken des CoolSeal™ Generators.....	87
Überprüfen des CoolSeal™ Generators	87
Einrichtungssicherheit	87
Einrichten des CoolSeal™ Generators	88
Anpassen der Lautstärke	89

Anschließen eines CoolSeal™ Instruments	89
Anschließen eines CoolSeal™ Instruments an den CoolSeal™ Generator	89
Aktivieren eines CoolSeal™ Instruments	89
Beschreibungen der Alarmbedingungen	90
Kapitel 4. Nach der Operation	93
Ausschalten des CoolSeal™ Generators	93
Vorbereiten des CoolSeal™ Generators zur Wiederverwendung.....	93
Kapitel 5. Fehlerbehebung	94
Allgemeine Leitlinien zur Fehlerbehebung.....	94
Korrektur von Fehlfunktionen	94
Abnormale Reaktion des Patienten.....	94
Fehlfunktionen des CoolSeal™ Generators.....	94
Potenzielle Interaktionen mit anderen Geräten.....	96
Kapitel 6. Regelmäßige Funktionsprüfung, Wartung und Service.....	97
Verantwortung des Herstellers	97
Regelmäßige Funktionsprüfung und Wartung.....	97
Wann sollten regelmäßige Funktionsprüfungen durchgeführt werden?	97
Wann muss das Netzkabel ausgetauscht werden?	97
Wann sollten die Sicherungen ausgetauscht werden?.....	97
Wie können die Sicherungen ausgetauscht werden?	97
Produktservice	98
Rückgabe des CoolSeal™ Generators für den Service	98
Software-Upgrades	98
Kapitel 7. Technische Spezifikationen	99
Leistungsmerkmale.....	99
Allgemein.....	99
Abmessungen und Gewicht.....	99
Betriebsparameter	99
Transport und Lagerung.....	99
Interner Speicher.....	99
Aktivierungston.....	100
Akustische Alarmsignale.....	100
Eingangsleistung.....	100
Netzkabelspezifikation.....	100

Technische Spezifikationen	101
Eingangsfrequenz.....	101
Eingangsstrom.....	101
Notstrom	101
Potentialausgleichsanschluss	101
Betriebszyklus.....	101
Niederfrequenz(50/60 Hz)-Leckstrom.....	101
Normen und IEC-Klassifikationen	101
Symbole	102
Klassifikationen	103
Geräte der Klasse I (IEC 60601-1)	103
Elektromagnetische Verträglichkeit (IEC-60601-1-2).....	103
Geräte des Typs CF (IEC 60601-1).....	103
IP XX Eindringen/Verschüttung von Flüssigkeit (IEC 60601-1 und IEC 60601-2-2)	103
Spannungstransienten – Energieplattform-Netzübertragung (IEC 60601-1 und IEC 60601-2-2)	103
Elektromagnetische Verträglichkeit (IEC 60601-1-2 und IEC 60601-2-2)	103
Ausgangsmerkmale	103
Maximale Leistung für den CoolSeal™ Generator.....	103
Elektromagnetische Störfestigkeit.....	104
Anhang A – Regelmäßige Funktionsprüfung	108
Definitionen.....	108
Erforderliche Geräte.....	108
Kriterien für Bestanden/Fehlgeschlagen	108
Verfahren	109
Formular Zusammenfassung der regelmäßigen Funktionsprüfung	112
Garantie	114

Vorwort

Dieses Handbuch und das Gerät, das es beschreibt, sind nur zur Verwendung durch qualifizierte medizinische Fachkräfte bestimmt, die in der jeweiligen Technik und dem chirurgischen Verfahren geschult sind. Es ist nur als Anleitung zur Verwendung des CoolSeal™ Generators vorgesehen.

In diesem Handbuch behandelte Geräte

CoolSeal™ Generator – CSL-200-50

Patentinformationen

<https://BolderSurgical.com/patents/>

Markenhinweise

CoolSeal™ Generator

Hergestellt von:



Bolder Surgical
331 S. 104th Street, Suite 200
Louisville, CO 80027, USA
Hergestellt in den USA
Tel: +1-866-683-1743
www.BolderSurgical.com

Bevollmächtigter:



Emergo Europe B.V.
Prinsessegracht 20
2514 AP Den Haag
Niederlande

Kontaktinformationen

+1-866-683-1743

In diesem Handbuch verwendete Konventionen

Warnhinweis

Weist auf eine potenziell gefährliche Situation hin, die, wenn sie nicht vermieden wird, zum Tod oder zu schweren Verletzungen führen kann.

Vorsicht

Weist auf eine potenziell gefährliche Situation hin, die, wenn sie nicht vermieden wird, zu geringfügigen oder mittelschweren Verletzungen führen kann.

Hinweis

Weist auf eine Gefahr hin, die zu Schäden am Produkt führen kann.

Wichtig

Weist auf einen Vorschlag für Betrieb oder Wartung hin.

Kapitel 1. Übersicht und allgemeine Merkmale

Dieser Abschnitt enthält die folgenden Informationen:

- Einführung
- Indikationen
- Kontraindikationen
- Vorderseite
- Rückseite
- Ansicht von unten
- Liste der Zubehörteile
- Kompatible Instrumente zur Gefäßversiegelung

Vorsicht

Lesen Sie vor der Verwendung alle Warnhinweise, Vorsichtshinweise und Anweisungen, die diesem Generator beiliegen. Spezifische Anweisungen für CoolSeal™ Instrumente sind in diesem Handbuch nicht enthalten. Für Warnhinweise, Vorsichtshinweise und Gebrauchsanweisungen beachten Sie die Gebrauchsanweisung des CoolSeal™ Instruments.

Gemäß Bundesgesetz (USA) darf dieses Produkt nur im Auftrag oder auf Anordnung von Ärzten verkauft werden.

Einführung

Der CoolSeal™ Generator liefert Hochfrequenzenergie (HF) für Gefäßversiegelungsanwendungen.

Der CoolSeal™ Generator erkennt automatisch codierte Instrumente und konfiguriert den CoolSeal™ Generator entsprechend. Sicherheits- und diagnostische Funktionalität umfassen automatische Fail-Safe-Funktionen.

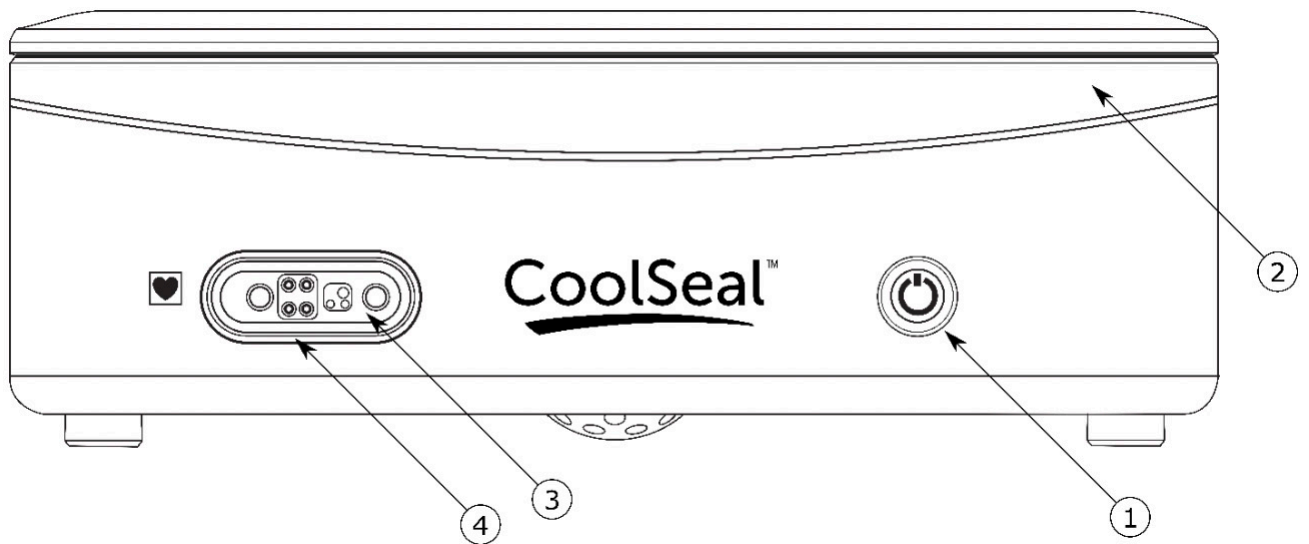
Indikation

Der CoolSeal™ Generator ist für die Bereitstellung von Hochfrequenzenergie (HF) für kompatible CoolSeal™ Instrumente für Gefäßversiegelungsanwendungen vorgesehen. Die spezifische Anwendung hängt vom kompatiblen chirurgischen Gerät ab, das an den Generator angeschlossen ist. Dieser Generator ist nur zur Verwendung mit chirurgischen Geräten vorgesehen, die mit der CoolSeal™ Technologie kompatibel sind.

Kontraindikationen

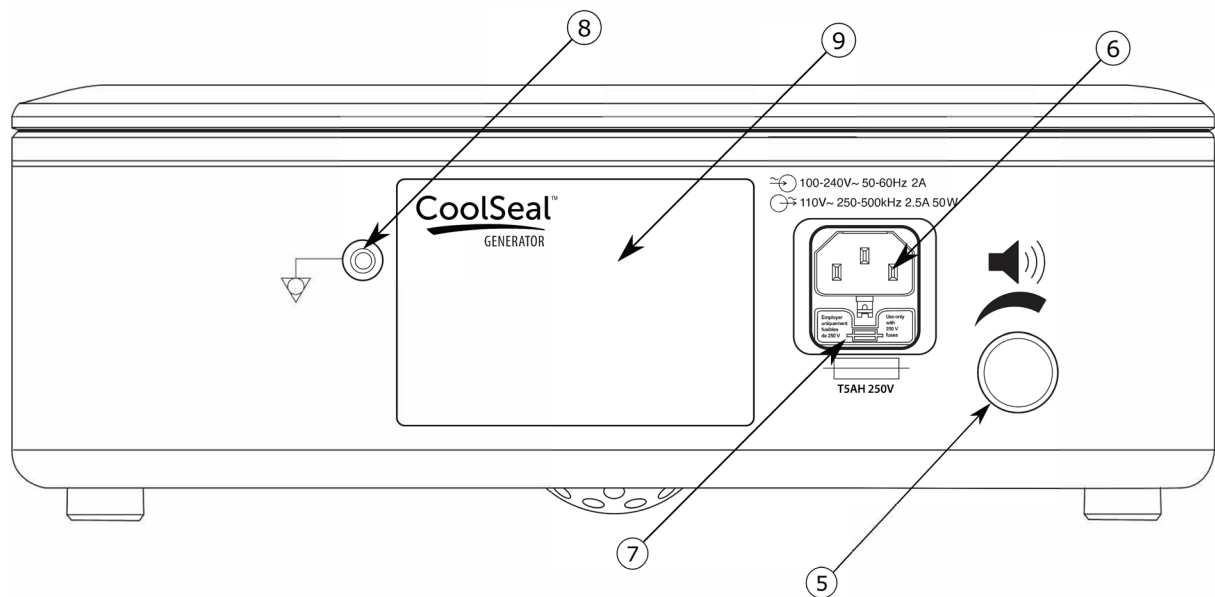
Keine speziell für den CoolSeal™ Generator bekannt.

Vorderseite



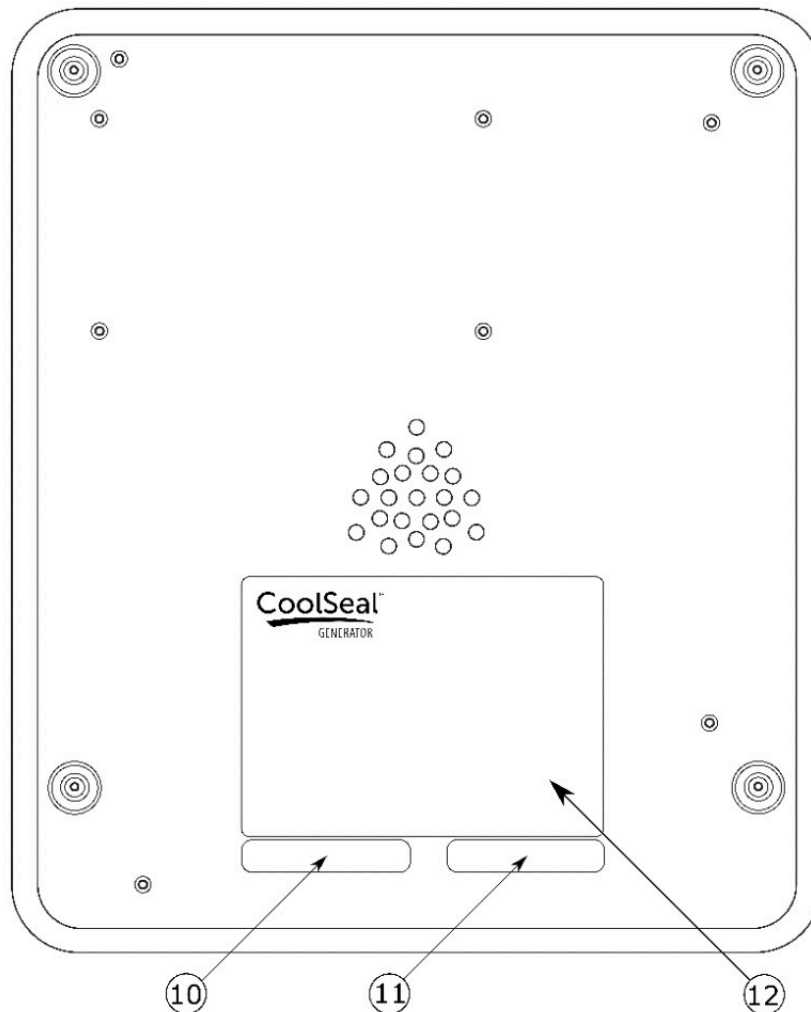
- (1) Beleuchteter Netzschalter
- (2) Aktivierungsanzeige
- (3) CoolSeal™ Instrumentensteckdose
- (4) Anzeige der Instrumentensteckdose

Rückseite



- (5) Regler für die Lautstärkeeinstellung
- (6) Netzkabeleingang
- (7) Sicherungsfach
- (8) Potentialausgleichsanschluss
- (9) Etikett für Sicherheitswarnhinweise und Vorsichtshinweise

Ansicht von unten



- (10) Etikett mit Datum der abschließenden Prüfung
- (11) Etikett mit Software-Version
- (12) Etikett mit Informationen zur Herstellung

Liste der Zubehörteile

Netzkabel – USA-spezifisch
CSL-FTC Funktionsprüfungskabel (nicht enthalten)

Kompatible Instrumente zur Gefäßversiegelung

Kompatible CoolSeal™ Instrumente haben Anschlüsse, die der folgenden Abbildung entsprechen.
Informationen zur Kompatibilität mit der CoolSeal™ Technologie finden Sie in der Gebrauchsanweisung des CoolSeal™ Instruments.



Kapitel 2. Sicherheit von Patienten und Operationsaal

Der sichere und effektive Einsatz der Elektrochirurgie hängt zu einem großen Teil von Faktoren ab, die ausschließlich unter der Kontrolle des Bedieners liegen. Es gibt keinen Ersatz für ein ordnungsgemäß geschultes und wachsames Operationsteam. Es ist wichtig, dass die mit diesem oder anderen elektrochirurgischen Geräten gelieferten Betriebsanleitungen gelesen, verstanden und befolgt werden. Elektrochirurgie wurde in zahlreichen Verfahren sicher eingesetzt. Vor Beginn eines chirurgischen Eingriffs sollte der Chirurg in der jeweiligen Technik und dem durchzuführenden chirurgischen Eingriff geschult sein, mit der medizinischen Literatur in Bezug auf den Eingriff und die möglichen Komplikationen sowie mit den Risiken gegenüber den Vorteilen der Verwendung von Elektrochirurgie bei dem Eingriff vertraut sein.

Um die sichere Verwendung des CoolSeal™ Generators zu unterstützen, werden in diesem Abschnitt die Warn- und Vorsichtshinweise aufgeführt, die in dieser gesamten Bedienungsanleitung zu finden sind. Es ist auch wichtig, dass Sie die Anweisungen in der Gebrauchsanweisung des CoolSeal™ Instruments lesen, verstehen und befolgen.

Warn- und Vorsichtshinweise

Überblick

Vorsicht
Lesen Sie vor der Verwendung alle Warnhinweise, Vorsichtshinweise und Anweisungen, die diesem Generator beiliegen. Spezifische Anweisungen für CoolSeal™ Instrumente sind in diesem Handbuch nicht enthalten. Für Warnhinweise, Vorsichtshinweise und Gebrauchsanweisungen beachten Sie die Gebrauchsanweisung des CoolSeal™ Instruments.
Gemäß Bundesgesetz (USA) darf dieses Produkt nur im Auftrag oder auf Anordnung von Ärzten verkauft werden.

Sicherheit der Generatoreinrichtung

Warnhinweis
Stromschlaggefahr: Schließen Sie das Netzkabel des Systems an eine ordnungsgemäß geerdete Netzsteckdose an. Verwenden Sie keine Netzsteckeradapter.
Brandgefahr: Verwenden Sie keine Verlängerungskabel oder Mehrfachsteckdosen.
Sicherheit des Patienten: Verwenden Sie den CoolSeal™ Generator nur, wenn der Selbsttest beim Einschalten wie in diesem Handbuch beschrieben abgeschlossen wurde, da sonst fehlerhafte Leistungsabgaben die Folge sein können.
Dieses Gerät ist nur zur Verwendung durch geschulte, zugelassene Ärzte bestimmt. Die Verwendung dieses Geräts ohne solche Schulung kann zu schweren Verletzungen des Patienten führen.
Der CoolSeal™ Generator ist nur mit CoolSeal™ Instrumenten kompatibel. Es können keine anderen bipolaren Instrumente verwendet werden.
Wickeln Sie die Instrumentenkabel nicht um Gegenstände aus Metall. Dies kann Streuströme auslösen, die zu Stromschlägen, Bränden oder Verletzungen des Patienten oder des chirurgischen Teams führen können.
Stromschlaggefahr: Keine nassen Gerätestecker an den CoolSeal™ Generator anschließen. Sicherstellen, dass alle Instrumente und Adapter korrekt angeschlossen sind.
Das Kabel des Geräts vor jedem Gebrauch auf Brüche, Risse, Kerben und andere Schäden überprüfen. Bei Beschädigung nicht verwenden. Beschädigte Gerätekabel können zu Verletzungen oder Stromschlägen für den Patienten oder das chirurgische Team führen.

Vorsicht

Die Lautstärkeregelung des Systems auf ein Niveau einstellen, das sicherstellt, dass die Aktivierungstöne zu hören sind.

Den Aktivierungston nicht auf eine unhörbare Stufe einstellen. Der Aktivierungston dient als Alarm für das Operationsteam, wenn der CoolSeal™ Generator HF-Energie abgibt.

Alle Instrumente und Anschlüsse an das System vor der Verwendung untersuchen. Sicherstellen, dass die Instrumente wie vorgesehen funktionieren. Ein unsachgemäßer Anschluss kann zu Lichtbögen, Funken, Fehlfunktionen des Instruments oder unbeabsichtigten chirurgischen Auswirkungen führen.

Ein nicht funktionierender CoolSeal™ Generator kann zu einer Unterbrechung der Operation führen. Es sollte ein Backup-System zur Verfügung stehen.

Die Verwendung von anderen als den angegebenen Gerätesteckvorrichtungen, d. h. Netzkabeln, kann zu erhöhten Emissionen oder einer verringerten Störfestigkeit der Geräte führen.

Zwischen dem CoolSeal™ Generator und anderen elektronischen Geräten wie Monitoren sollte so viel Abstand wie möglich bestehen. Kabel elektronischer Geräte nicht überkreuzen oder bündeln. Dieser Generator kann Störungen an anderen elektronischen Geräten verursachen. Wenn Störungen auftreten, das Gerät neu ausrichten.

Studien haben gezeigt, dass Rauch, der bei elektrochirurgischen Eingriffen entsteht, potenziell schädlich für Patienten und das chirurgische Team sein kann. Diese Studien empfehlen eine angemessene Entlüftung des Rauchs über einen chirurgischen Rauchabsauger oder mit anderen Mitteln.¹

1. U.S. Department of Health and Human Services. National Institute for Occupational Safety and Health (NIOSH). Control of Smoke from Laser/Electric Surgical Procedures. HAZARD CONTROLS, Publication No. 96-128, September 1996.

Elektromagnetische Verträglichkeit

Warnhinweis

Die Verwendung neben- oder übereinander mit anderen Geräten ist zu vermeiden, da dies zu einem nicht ordnungsgemäßen Betrieb führen kann. Wenn eine derartige Verwendung erforderlich ist, müssen dieses Gerät und die anderen Geräte überwacht werden, um zu bestätigen, dass sie normal funktionieren.

Tragbare HF-Kommunikationsgeräte sollten nicht näher als 30 cm (12 Zoll) zu irgendeinem Teil des CoolSeal™ Generators verwendet werden, einschließlich der von Bolder Surgical spezifizierten Kabel. Andernfalls kann ein Abfall der Leistung dieses Geräts die Folge sein.

Brandgefahr während einer Oropharynxoperation

Warnhinweis

Prüfen, ob die Endotrachealtuben frei von Leckagen sind und die Manschette ordnungsgemäß abdichtet, um Sauerstofflecks zu vermeiden.

Herzschrittmacher und ICD

Warnhinweis

NICHT bei Patienten mit elektronischen Implantaten wie Herzschrittmachern VERWENDEN, ohne zuvor einen qualifizierten Fachmann (z. B. einen Kardiologen) zu konsultieren. Es besteht eine mögliche Gefahr, da eine Störung der Wirkung des elektronischen Implantats auftreten oder das Implantat beschädigt werden kann.

Anschließen eines CoolSeal™ Instruments

Warnhinweis

Stromschlaggefahr

- Keine nassen Instrumente an den CoolSeal™ Generator anschließen.
- Sicherstellen, dass alle Instrumente korrekt angeschlossen sind und dass an keinem Anschlusspunkt Metall freiliegt.

Das Instrument ordnungsgemäß in die Steckdose einsetzen. Ein unsachgemäßer Anschluss kann zu einer unbeabsichtigten Aktivierung des Instruments oder zu anderen potenziell gefährlichen Bedingungen führen. Die mit den CoolSeal™ Gefäßversiegelungsinstrumenten gelieferten Anweisungen befolgen.

Die Instrumentensteckdose an diesem System ist so konzipiert, dass sie nur jeweils ein Instrument aufnimmt. Nicht versuchen, mehr als ein Instrument gleichzeitig an eine bestimmte Steckdose anzuschließen. Dadurch wird eine gleichzeitige Aktivierung der Instrumente verursacht.

Vorsicht

Die Instrumente und Kabel vor jedem Gebrauch auf Brüche, Risse, Kerben und andere Schäden überprüfen. Bei Beschädigung nicht verwenden. Beschädigte Instrumente oder Kabel können zu Verletzungen oder Stromschlägen für den Patienten oder das chirurgische Team führen.

Reinigen des CoolSeal™ Generators

Warnhinweis

Stromschlaggefahr

Den CoolSeal™ Generator vor der Reinigung immer ausschalten und vom Netz trennen.

Wartung des CoolSeal™ Generators

Warnhinweis

Stromschlaggefahr

Die Abdeckung des CoolSeal™ Generators nicht abnehmen.

Nicht versuchen, den CoolSeal™ Generator zu warten. Alle Wartungsarbeiten und Reparaturen müssen von einem Techniker von Bolder Surgical™ durchgeführt werden.

Vorsicht

Der CoolSeal™ Generator darf am Ende der Lebensdauer nicht zusammen mit anderen Abfällen entsorgt werden. Um Abfallgeräte zu recyceln, holen Sie Anweisungen von Bolder Surgical ein (Tel. +1-866-683-1743) oder wenden Sie sich an Ihren lokalen Vertriebsmitarbeiter, um lokale Abfallentsorgungslösungen und -prozesse zu besprechen. Der CoolSeal™ Generator birgt ähnliche Entsorgungsrisiken wie Verbraucherelektronik, z. B. Computer. Es gibt keine radioaktiven Substanzen, Batterien oder gefährlichen Flüssigkeiten, die in den CoolSeal™ Generator austreten können.

Kapitel 3. Einrichtung und Verwendung des CoolSeal™ Generators

In diesem Kapitel werden die folgenden Themen behandelt:

- Auspacken des CoolSeal™ Generators
- Überprüfen des CoolSeal™ Generators
- Einrichtungssicherheit
- Einrichten des CoolSeal™ Generators
- Anpassen der Lautstärke der Aktivierungstöne
- Anschließen eines CoolSeal™ Instruments
- Aktivieren des CoolSeal™ Instruments
- Beschreibungen der Alarmbedingungen

Vorsicht

Lesen Sie vor der Verwendung alle Warnhinweise, Vorsichtshinweise und Anweisungen, die diesem Generator beiliegen. Spezifische Anweisungen für CoolSeal™ Instrumente sind in diesem Handbuch nicht enthalten. Für Warnhinweise, Vorsichtshinweise und Gebrauchsanweisungen beachten Sie die Gebrauchsanweisung des CoolSeal™ Instruments.

Auspacken des CoolSeal™ Generators

1. Den CoolSeal™ Generator aus dem Versandkarton und dem Verpackungsmaterial nehmen.
2. Das Gerät auf sichtbare Schäden überprüfen.

Überprüfen des CoolSeal™ Generators

Vor jedem Gebrauch des CoolSeal™ Generators prüfen, ob das Gerät und alle Zubehörteile in einwandfreiem Zustand sind:

- Den Generator und alle seine Anschlüsse auf Schäden überprüfen.
- Alle Kabel und Anschlüsse auf Anzeichen von Verschleiß, Beschädigung und Abrieb überprüfen.
- Prüfen, dass beim Einschalten der Einheit keine Fehler auftreten.

Einrichtungssicherheit

Warnhinweis

Stromschlaggefahr: Schließen Sie das Netzkabel des Systems an eine ordnungsgemäß geerdete Netzsteckdose an. Verwenden Sie keine Netzsteckeradapter.

Brandgefahr: Verwenden Sie keine Verlängerungskabel oder Mehrfachsteckdosen.

Sicherheit des Patienten: Verwenden Sie den CoolSeal™ Generator nur, wenn der Selbsttest beim Einschalten wie in diesem Handbuch beschrieben abgeschlossen wurde, da sonst fehlerhafte Leistungsabgaben die Folge sein können.

Dieses Gerät ist nur zur Verwendung durch geschulte, zugelassene Ärzte bestimmt. Die Verwendung dieses Geräts ohne solche Schulung kann zu schweren Verletzungen des Patienten führen.

Der CoolSeal™ Generator ist nur mit CoolSeal™ Instrumenten kompatibel. Es können keine anderen bipolaren Instrumente verwendet werden.

Wickeln Sie die Instrumentenkabel nicht um Gegenstände aus Metall. Dies kann Streuströme auslösen, die zu Stromschlägen, Bränden oder Verletzungen des Patienten oder des chirurgischen Teams führen können.

Stromschlaggefahr: Keine nassen Gerätestecker an den CoolSeal™ Generator anschließen. Sicherstellen, dass alle Instrumente und Adapter korrekt angeschlossen sind.

Das Kabel des Geräts vor jedem Gebrauch auf Brüche, Risse, Kerben und andere Schäden überprüfen. Bei Beschädigung nicht verwenden. Beschädigte Geräte Kabel können zu Verletzungen oder Stromschlägen für den Patienten oder das chirurgische Team führen.

Vorsicht

Die Lautstärkeregelung des Systems auf ein Niveau einstellen, das sicherstellt, dass die Aktivierungstöne zu hören sind.

Den Aktivierungston nicht auf eine unhörbare Stufe einstellen. Der Aktivierungston dient als Alarm für das Operationsteam, wenn der CoolSeal™ Generator HF-Energie abgibt.

Alle Instrumente und Anschlüsse an das System vor der Verwendung untersuchen. Sicherstellen, dass die Instrumente wie vorgesehen funktionieren. Ein unsachgemäßer Anschluss kann zu Lichtbögen, Funken, Fehlfunktionen des Instruments oder unbeabsichtigten chirurgischen Auswirkungen führen.

Ein nicht funktionierender CoolSeal™ Generator kann zu einer Unterbrechung der Operation führen. Es sollte ein Backup-System zur Verfügung stehen.

Die Verwendung von anderen als den angegebenen Gerätesteckvorrichtungen, d. h. Netzkabeln, kann zu erhöhten Emissionen oder einer verringerten Störfestigkeit der Geräte führen.

Zwischen dem CoolSeal™ Generator und anderen elektronischen Geräten wie Monitoren sollte so viel Abstand wie möglich bestehen. Kabel elektronischer Geräte nicht überkreuzen oder bündeln. Dieser Generator kann Störungen an anderen elektronischen Geräten verursachen. Wenn Störungen auftreten, das Gerät neu ausrichten.

Studien haben gezeigt, dass Rauch, der bei elektrochirurgischen Eingriffen entsteht, potenziell schädlich für Patienten und das chirurgische Team sein kann. Diese Studien empfehlen eine angemessene Entlüftung des Rauchs über einen chirurgischen Rauchabsauger oder mit anderen Mitteln.¹

1. U.S. Department of Health and Human Services. National Institute for Occupational Safety and Health (NIOSH). Control of Smoke from Laser/Electric Surgical Procedures. HAZARD CONTROLS, Publication No. 96-128, September 1996.

Einrichten des CoolSeal™ Generators

1. Den CoolSeal™ Generator auf eine flache, stabile Oberfläche wie einen Tisch, eine Plattform, ein Auslegersystem oder einen Wagen stellen. Es werden Wagen mit nicht leitfähigen Rädern empfohlen. Beziehen Sie sich auf die Verfahren für Ihre lokale Einrichtung oder Ihre örtlichen Vorschriften.
2. Wenn dies von der Einrichtung oder den örtlichen Vorschriften verlangt wird, den Potentialausgleichsanschluss an eine Erdungsquelle anschließen.
3. Das Netzkabel des Systems an den elektrischen Eingang auf der Rückseite anschließen.
4. Das Netzkabel des Systems an eine ordnungsgemäß geerdete Netzsteckdose anschließen.


Hinweis

Den CoolSeal™ Generator nicht an eine Steckdosenleiste oder ein Verlängerungskabel anschließen.

Das Gerät nicht so positionieren, dass es schwierig ist, das Netzkabel zu trennen.

Wichtig

Bei Transport oder Lagerung bei Temperaturen außerhalb des Betriebstemperaturbereichs den CoolSeal™ eine Stunde die Betriebstemperatur erreichen lassen.

Das System durch Drücken der Standby-Taste () an der Vorderseite des Geräts einschalten. Während des Selbsttests beim Einschalten Folgendes beachten:

- Die Einheit führt beim Start einen Selbsttest durch.
- Die Ein-/Aus-Taste leuchtet grün.
- Nach erfolgreichem Abschluss der Selbstprüfung ertönen drei (3) ½-Sekunden-Signaltöne.

Hinweis

Vor dem Anschluss der Instrumente prüfen, ob das System den Selbsttest beim Starten erfolgreich abgeschlossen hat.

Wenn die Einheit den Selbsttest beim Starten nicht besteht:

- Ein-/Aus-Taste leuchtet nicht oder leuchtet rot.
- Nach erfolgloser Selbstprüfung ertönt ein (1) ½-Sekunden-Alarmton.

Weitere Informationen sind in den Abschnitten zu Alarmbedingungen oder Fehlerbehebung zu finden.

Anpassen der Lautstärke

Die Lautstärke der Alarm- und Aktivierungstöne kann durch Drehen des Lautstärkereglers auf der Rückseite des CoolSeal™ Generators angepasst werden.

Hinweis

Die Mindestlautstärke für Alarmtöne wird immer lauter sein als der Aktivierungston.

Anschließen eines CoolSeal™ Instruments

Warnhinweis

Stromschlaggefahr

- Keine nassen Instrumente an den CoolSeal™ Generator anschließen.
- Sicherstellen, dass alle Instrumente korrekt angeschlossen sind und dass an keinem Anschlusspunkt Metall freiliegt.

Das Instrument ordnungsgemäß in die Steckdose einsetzen. Ein unsachgemäßer Anschluss kann zu einer unbeabsichtigten Aktivierung des Instruments oder zu anderen potenziell gefährlichen Bedingungen führen. Die mit den CoolSeal™ Instrumenten gelieferten Anweisungen für den ordnungsgemäßen Anschluss und die Verwendung befolgen.

Die Instrumentensteckdose an diesem System ist so konzipiert, dass sie nur jeweils ein Instrument aufnimmt. Nicht versuchen, mehr als ein Instrument gleichzeitig an eine bestimmte Steckdose anzuschließen. Dadurch wird eine gleichzeitige Aktivierung der Instrumente verursacht.

Vorsicht

Die Instrumente und Kabel vor jedem Gebrauch auf Brüche, Risse, Kerben und andere Schäden überprüfen. Bei Beschädigung nicht verwenden. Beschädigte Instrumente oder Kabel können zu Verletzungen oder Stromschlägen für den Patienten oder das chirurgische Team führen.

Anschließen eines CoolSeal™ Instruments an den CoolSeal™ Generator

1. Ein CoolSeal™ Instrument an die Instrumentensteckdose an der Vorderseite des CoolSeal™ Generators anschließen.
2. Die korrekte Platzierung und Verbindung überprüfen, indem Sie die grün leuchtende Anzeige der Instrumentensteckdose beobachten.

Wenn der CoolSeal™ Generator das angeschlossene Instrument nicht erkennt, leuchtet die Anzeige der Instrumentensteckdose rot oder leuchtet nicht auf und ein einzelner Warnton ertönt. Siehe die Abschnitte zu Alarmbedingungen oder Fehlerbehebung.

Aktivieren eines CoolSeal™ Instruments

1. Das CoolSeal™ Instrument gemäß der Gebrauchsanweisung des Instruments aktivieren.
2. Während der Aktivierung des Instruments Folgendes beobachten:
 - Das Aktivierungsdisplay leuchtet blau und variiert in der Helligkeit für die Dauer der Energieabgabe.
 - Während der Energieabgabe ertönt kontinuierlich ein Aktivierungston.
3. Wenn der Versiegelungszyklus abgeschlossen ist, Folgendes beobachten:
 - Es ertönt eine Drei-Ton-Sequenz, wenn die Versiegelung abgeschlossen ist. Der Aktivierungsknopf sollte dann losgelassen werden.
 - Die Aktivierungsanzeige auf der vorderen Abdeckung des CoolSeal™ Generators wird vorübergehend blau leuchten.
 - Die Aktivierungsanzeige erlischt dann.

Im Fall einer Alarmbedingung sind weitere Informationen in den Abschnitten zu Alarmbedingungen oder Fehlerbehebung zu finden.

Beschreibungen der Alarmbedingungen

Wenn ein Alarmzustand auftritt:

- Ein Alarmton ertönt.
- Eine der Anzeigen auf dem CoolSeal™ Generator leuchtet blau, gelb oder rot.
- Die Energieversorgung wird unterbrochen.

Die Energie wird verfügbar, nachdem der Alarmzustand korrigiert wurde. Beziehen Sie sich auf die folgende Tabelle, um die Alarmbedingungen zu beheben:

Alarmbedingung:	Angezeigt durch:	Ursachen:	Lösung:	
Versiegelung abgeschlossen	<ul style="list-style-type: none"> • Ein Alarm mit drei sequenziellen Tönen • HF-Energieabgabe stoppt • Aktivierungsanzeige leuchtet für eine halbe (0,5) Sekunde blau auf 	Erfolgreiche Versiegelung des Gefäßes.	Keine. Normaler Betrieb.	
Reaktivieren / Versiegelung unvollständig	<ul style="list-style-type: none"> • Ein Alarm mit drei Tönen • HF-Energieabgabe stoppt • Aktivierungsanzeige leuchtet für eine (1) Sekunde gelb auf 	Die Versiegelungszeit überschreitet fünf (5) Sekunden. ODER Der Benutzer hat entweder die Backen des Instruments geöffnet oder die Aktivierungstaste losgelassen, wodurch der Versiegelungszyklus unterbrochen wird, bevor die Versiegelung abgeschlossen wurde. ODER Der Strom bleibt länger als vier (4) Sekunden an der maximalen Stromgrenze, was auf einen elektrischen Kurzschluss zwischen den Backen hindeutet. ODER Das Instrument wurde in der Luft aktiviert.	<ol style="list-style-type: none"> 1. Die Aktivierungstaste loslassen. 2. Die Aktivierungstaste drücken, um den Versiegelungszyklus zu reaktivieren, ohne das Instrument neu zu positionieren. 3. Die Backen des Instruments öffnen und auf eine erfolgreiche Versiegelung prüfen. 4. Wenn möglich, das Instrument neu positionieren und Gewebe an einer anderen Stelle erneut fassen, dann den Versiegelungszyklus reaktivieren. 5. Die Versiegelung vor dem Schneiden visuell inspizieren. 	
		Mögliche Nutzungsbedingungen umfassen:		
		Erfassen von dünnem Gewebe oder Aktivieren an der Luft.	Die Backen öffnen und bestätigen, dass sich eine ausreichende Menge an Gewebe in den Backen befindet. Falls erforderlich, die Gewebemenge erhöhen und das Verfahren wiederholen.	
		Fassen von zu viel Gewebe zwischen den Backen.	Die Backen öffnen und die Menge an Gewebe, die erfasst wird, reduzieren und den Versiegelungszyklus reaktivieren.	
		Fassen eines metallenen Gegenstands.	Das Fassen von Gegenständen wie Klammern, Klemmen oder eingekapselten Nähten in den Backen des Instruments vermeiden.	
		Aktivierung bei überschüssigen gepoolten Flüssigkeiten um die Spitze des Instruments herum.	<ol style="list-style-type: none"> 1. Überschüssige Flüssigkeiten minimieren oder entfernen. 2. Den Versiegelungszyklus ohne Neupositionierung des Instruments reaktivieren. 	
Übermäßiger Gewebeschorf auf Elektrodenspitzen.	Einen feuchten Gazetupfer verwenden, um Oberflächen und Kanten der Instrumentenbacken zu reinigen.			

Systemfehler	<ul style="list-style-type: none"> • Ein Einzelton-Alarm • HF-Energieabgabe stoppt Netztaete leuchtet auf und bleibt rot. 	Generator funktioniert nicht richtig; hat eine interne Selbstprüfung nicht bestanden.	<ol style="list-style-type: none"> 1. Die Ein/Aus-Taste drücken, um den Generator auszuschalten. 2. Mindestens 30 Sekunden warten. 3. Die Ein/Aus-Taste drücken, um den Generator einzuschalten. 4. Vor der Verwendung bestätigen, dass die Ein/Aus-Taste grün leuchtet. <p>Wenn der Systemfehler erneut auftritt:</p> <ul style="list-style-type: none"> • Den Generator nicht verwenden. • Einen anderen CoolSeal™ Generator oder alternative Mittel verwenden, um das Verfahren abzuschließen. <p>Den defekten Generator gemäß den Anweisungen im Abschnitt „Produktservice“ dieses Handbuchs zurückgeben.</p>
Instrumentenfehler	<ul style="list-style-type: none"> • Ein Einzelton-Alarm • Die Anzeige der Instrumentensteckdose leuchtet gelb und blinkt kontinuierlich. • Generator erlaubt keine Abgabe von HF-Energie. 	Generator funktioniert nicht richtig; hat eine interne Selbstprüfung nicht bestanden.	<ol style="list-style-type: none"> 1. Das Instrument vom Generator trennen. 2. Sicherstellen, dass der Aktivierungsknopf des Instruments nicht gedrückt wird. 3. Das Instrument wieder an den Generator anschließen. 4. Bestätigen, dass die Anzeige der Instrumentensteckdose grün leuchtet. <p>Wenn der Fehler am Instrument erneut auftritt:</p> <ul style="list-style-type: none"> • Das Instrument nicht verwenden. • Ein anderes CoolSeal™ Instrument verwenden.
		Mögliche Nutzungsbedingungen umfassen:	
		Unbeabsichtigtes Drücken der Aktivierungstaste des Instruments während der Verbindung des Instruments.	Alles entfernen, was den Aktivierungsknopf des Instruments drückt, und das Instrument wieder anschließen.
Der Schalter des Instruments ist defekt.	Das Instrument austauschen.		

Ungültiges Instrument	<ul style="list-style-type: none"> • Ein einzelner Alarmton • Anzeige der Instrumentensteckdose leuchtet auf und bleibt rot • Generator erlaubt keine Abgabe von HF-Energie. 	Es wurde ein unbrauchbares Instrumentangeschlossen.	<ol style="list-style-type: none"> 1. Instrument vom Generator trennen. 2. Sicherstellen, dass das Instrument mit CoolSeal™ kompatibel ist. 3. Instrument erneut an den Generator anschließen. 4. Bestätigen, dass die Anzeige der Instrumentensteckdose grün aufleuchtet. <p>Wenn der Instrumentenfehler erneut auftritt:</p> <ul style="list-style-type: none"> • Das Instrument nicht verwenden. • Ein anderes CoolSeal™ Instrument verwenden.
	Mögliche Nutzungsbedingungen umfassen:		
	Das angeschlossene Instrument ist nicht mit der CoolSeal™ Technologie kompatibel.		Die Kompatibilität des Geräts mit der CoolSeal™ Technologie anhand der Gebrauchsanweisung überprüfen.
	Das angeschlossene Instrument wurde zuvor verwendet.		Instrument entsorgen.
	Das Instrument ist mit der Softwareversion nicht verwendbar.		Bestätigen, dass die vom Gerät benötigte Softwareversion nicht höher ist als die Softwareversion, die auf der Unterseite des CoolSeal™ Generators angegeben ist. Für ein Software-Upgrade siehe Abschnitt „Software-Upgrade“.

Kapitel 4. Nach der Operation


In diesem Kapitel werden die folgenden Themen behandelt:

- Ausschalten des CoolSeal™ Generators
- Vorbereiten des CoolSeal™ Generators zur Wiederverwendung

Vorsicht

Lesen Sie vor der Verwendung alle Warnhinweise, Vorsichtshinweise und Anweisungen, die diesem Generator beiliegen. Spezifische Anweisungen für CoolSeal™ Instrumente sind in diesem Handbuch nicht enthalten. Für Warnhinweise, Vorsichtshinweise und Gebrauchsanweisungen beachten Sie die Gebrauchsanweisung des CoolSeal™ Instruments.

Ausschalten des CoolSeal™ Generators

1. Das System durch Drücken der Standby-Taste () an der Vorderseite des Geräts ausschalten. Folgendes beobachten:
 - Das Licht der Standby-Taste für die Stromversorgung schaltet sich aus.

Falls erforderlich, kann der Generator ausgeschaltet werden, indem der Netzkabelanschluss entweder vom Netzeingang oder von der Wandsteckdose entfernt wird.

Vorbereiten des CoolSeal™ Generators zur Wiederverwendung

Schritt 1 – Trennen der CoolSeal™ Instrumente

1. Das Instrument von der Vorderseite trennen.
2. Das Instrument für den Einmalgebrauch gemäß den Verfahren für Ihre Einrichtung entsorgen.

Schritt 2 – Reinigen des CoolSeal™ Generators

Warnhinweis

Stromschlaggefahr

Den CoolSeal™ Generator vor der Reinigung immer ausschalten und vom Netz trennen.

Hinweis

Den CoolSeal™ Generator nach Möglichkeit mit nicht entflammenden Mitteln und Desinfektionsmitteln reinigen. Keine scheuernden Reinigungs- oder Desinfektionsmittel, Lösungsmittel oder andere Materialien verwenden, die die Platten zerkratzen oder den Generator beschädigen könnten, wie z. B. chlorierte Kohlenwasserstoffe oder andere Kunststofflösungsmittel.

- Den Generator ausschalten und das Netzkabel von der Steckdose trennen.
- Alle Oberflächen des Generators und des Netzkabels gründlich mit einer milden Reinigungslösung oder einem Desinfektionsmittel und einem feuchten Tuch abwischen. Bei Verwendung von Bleichmitteln auf Chlorbasis vor der Reinigung verdünnen.
- Die von Ihrer Einrichtung genehmigten Verfahren befolgen oder validierte Verfahren zur Infektionskontrolle verwenden.
- Nicht eintauchen, nicht aggressiv spülen und keine Flüssigkeiten in das Gehäuse eindringen lassen.

Kapitel 5. Fehlerbehebung

In diesem Kapitel werden die folgenden Themen behandelt:

- Allgemeine Leitlinien zur Fehlerbehebung
- Korrektur von Fehlfunktionen

Vorsicht

Lesen Sie vor der Verwendung alle Warnhinweise, Vorsichtshinweise und Anweisungen, die diesem Generator beiliegen. Spezifische Anweisungen für CoolSeal™ Instrumente sind in diesem Handbuch nicht enthalten. Für Warnhinweise, Vorsichtshinweise und Gebrauchsanweisungen beachten Sie die Gebrauchsanweisung des CoolSeal™ Instruments.

Allgemeine Leitlinien zur Fehlerbehebung

Wenn der CoolSeal™ Generator eine Fehlfunktion aufweist, auf offensichtliche Zustände prüfen, die das Problem verursacht haben könnten:

- Prüfen, dass alle Kabel ordnungsgemäß angeschlossen und befestigt sind.
- Das System auf sichtbare Anzeichen von physischen Schäden überprüfen.
- Das System aus- und wieder einschalten.

Wenn die Fehlfunktion anhält, ist möglicherweise ein Service für das System erforderlich. Wenden Sie sich an die Abteilung für Biomedizintechnik Ihrer Einrichtung, an Bolder Surgical oder an den autorisierten Händler.

Wenn während der Verwendung des CoolSeal™ Systems Zwischenfälle auftreten, sollten diese Probleme direkt telefonisch unter (+1-866-683-1743) oder per E-Mail (complaints@boldersurg.com) Bolder Surgical und Ihrer zuständigen Behörde vor Ort gemeldet werden.

Korrektur von Fehlfunktionen

Wenn eine Lösung nicht leicht ersichtlich ist, die Tabelle unten verwenden, um spezifische Fehlfunktionen zu identifizieren und zu korrigieren. Nach der Korrektur der Fehlfunktion prüfen, ob das System den Selbsttest wie im Kapitel zur Systemeinrichtung beschrieben abschließt.

Abnormale Reaktion des Patienten:

Zustand:	Ursachen:	Lösung:
Abnormale neuromuskuläre Stimulation (Operation sofort stoppen)	Funkenbildung von Metall zu Metall	Alle Anschlüsse an den CoolSeal™ Generator überprüfen.
	Abnormale Leckströme 50 Hz bis 60 Hz	Einen CoolSeal™ Backup-Generator verwenden. Wenden Sie sich für Unterstützung an Ihre Abteilung für Biomedizintechnik oder einen Vertreter des technischen Kundendienstes von Bolder Surgical™.

Fehlfunktionen des CoolSeal™ Generators:

Zustand:	Ursachen:	Lösung:
CoolSeal™ Generator reagiert nicht, wenn er eingeschaltet wird	Netzkabel getrennt oder defekte Wandsteckdose	Die Anschlüsse des Netzkabels (CoolSeal™ Generator und Steckdose) prüfen. Das Netzkabel an eine funktionsfähige Steckdose anschließen.
	Fehlerhaftes Netzkabel	Das Netzkabel auswechseln.
	Sicherungen sind durchgebrannt	Wenden Sie sich für Unterstützung an Ihre Abteilung für Biomedizintechnik oder einen Vertreter des technischen Kundendienstes von Bolder Surgical™.
	Fehlfunktion einer internen Komponente	Einen CoolSeal™ Backup-Generator verwenden. Wenden Sie sich für Unterstützung an Ihre Abteilung für Biomedizintechnik oder einen Vertreter des technischen Kundendienstes von Bolder Surgical™.

Das System ist eingeschaltet, hat aber den Selbsttest nicht erfolgreich abgeschlossen oder die Funktion während des Gebrauchs eingestellt. Ein einzelner Ton wird abgegeben und die Ein/Aus-Taste leuchtet rot	Einheit an einem kalten Ort gelagert	Das Gerät auf Umgebungstemperatur erwärmen lassen.
	Behebbarer Funktionsstörung der Software	Einen CoolSeal™ Backup-Generator verwenden. Wenden Sie sich für Unterstützung an Ihre Abteilung für Biomedizintechnik oder einen Vertreter des technischen Kundendienstes von Bolder Surgical™.
	Fehlfunktion einer internen Komponente oder nicht behebbarer Fehlfunktion der Software	Fehlfunktion einer internen Komponente
Das System ist eingeschaltet, gibt einen einzelnen Ton ab und hat eine gelb blinkende Anzeige der Instrumentensteckdose.	System mit fehlerhaftem angeschlossenem Instrument in der Instrumentensteckdose initiiert	Das Instrument trennen. Den CoolSeal™ Generator ausschalten. Den CoolSeal™ Generator einschalten.
	Falsches oder abgelaufenes Instrument	Das Instrument anschließen. Das Instrument austauschen, wenn es weiterhin eine Fehlfunktion aufweist.
	Instrumentenfehler	
	Das CoolSeal™ Instrument ist mit der Softwareversion nicht verwendbar.	Bitten Sie Ihre Abteilung für Biomedizintechnik, sich beim Hersteller des Geräts zu erkundigen. Für ein Software-Upgrade siehe Abschnitt „Software-Upgrade“.
Das System ist eingeschaltet, die Ein/Aus-Taste leuchtet grün , wenn das Instrument eingesteckt wird, ein einzelner Ton ertönt und eine rote Anzeige der Instrumentensteckdose erscheint.	Erkennung des Instruments aufgrund von intermittierender Verbindung fehlgeschlagen	Den Stecker des Instruments entfernen. Das Instrument wieder fest einstecken.
	Behebbarer Funktionsstörung der Software	Das System aus- und dann wieder einschalten.
	Fehlfunktion einer internen Komponente oder nicht behebbarer Fehlfunktion der Software	Einen CoolSeal™ Backup-Generator verwenden. Wenden Sie sich für Unterstützung an Ihre Abteilung für Biomedizintechnik oder einen Vertreter des technischen Kundendienstes von Bolder Surgical™.
Der CoolSeal™ Generator ist eingeschaltet und das Instrument ist aktiviert, aber das System gibt keine Energie ab – keine Töne oder Aktivierungsanzeige.	Es besteht eine Alarmbedingung.	Siehe den Abschnitt zu Alarmbedingungen.
	System erkennt Instrument zur Gefäßversiegelung nicht.	Den Stecker fest in die Steckdose an der vorderen Vorderseite des CoolSeal™ Generators stecken. Sicherstellen, dass die Anzeige der Steckdose grün leuchtet, um anzuzeigen, dass ein CoolSeal™ Instrument ordnungsgemäß eingesteckt und erkannt wurde.
	Fehlfunktion einer internen Komponente oder nicht behebbarer Fehlfunktion der Software	Wenden Sie sich für Unterstützung an Ihre Abteilung für Biomedizintechnik oder einen Vertreter des technischen Kundendienstes von Bolder Surgical™.
Unvollständige Versiegelung/Reaktivierung – Ein Drei-Ton -Alarm ertönt, das gelbe Aktivierungsdisplay auf der Vorderseite des Generators und der HF-Ausgang sind deaktiviert.	Der Versiegelungszyklus dauerte mehr als 5 Sekunden. ODER Der Handschalter wurde losgelassen, bevor der Endton ertönte.	Für den Abschluss des Versiegelungszyklus sind zusätzliche Zeit und Energie erforderlich. Den Versiegelungszyklus reaktivieren, ohne das Instrument zu entfernen oder neu zu positionieren. Die Versiegelung vor dem Schneiden einer Sichtprüfung unterziehen.
	Metall oder anderer Fremdkörper wird in den Backen erfasst.	Das Fassen von Gegenständen wie Klammern, Klemmen oder eingekapselten Nähten in den Backen des Instruments vermeiden.
	Das in den Backen gefasste Gewebe ist zu dünn.	Die Backen öffnen und bestätigen, dass sich eine ausreichende Menge an Gewebe in den Backen befindet. Falls erforderlich, die Gewebemenge erhöhen und das Verfahren wiederholen.
	Gepoolte Flüssigkeiten um die Spitze des Instruments	Überschüssige Flüssigkeiten minimieren oder entfernen. Elektroden spitzen und -backen mit einem feuchten Gazetupfer reinigen.
	Instrument wurde in der Luft aktiviert.	Aktivierungsknopf loslassen. Gewebe fassen und den Versiegelungszyklus aktivieren.
Instrument ist angeschlossen, aber Gefäßversiegelung wird nicht aktiviert.	Das Instrument ist nicht vollständig in die Instrumentensteckdose eingesteckt.	Das Instrument trennen, wieder anschließen und einen Moment warten.

Potenzielle Interaktionen mit anderen Geräten:

Zustand:	Ursachen:	Lösung:
Fortlaufende Störung durch den Monitor	Fehlfunktion des Monitors	Siehe Gebrauchsanweisung des Monitors zur Fehlerbehebung.
	Fehlerhafte Gehäuse-Masse-Anschlüsse	Die Erdungsanschlüsse des Gehäuses für den Monitor und den CoolSeal™ Generator überprüfen und korrigieren. Andere elektrische Geräte im Raum auf defekte Erdung überprüfen.
	Elektrische Geräte sind an verschiedenen Objekten anstatt an einer gemeinsamen Erdung geerdet. Der CoolSeal™ Generator kann auf die resultierenden Spannungsunterschiede zwischen geerdeten Objekten reagieren.	Alle elektrischen Geräte an die Stromzufuhr am gleichen Ort anschließen. Wenden Sie sich für Unterstützung an Ihre Abteilung für Biomedizintechnik oder einen Vertreter des technischen Kundendienstes von Bolder Surgical™.
	Wenn die Störung fortbesteht, wenn der CoolSeal™ Generator aktiviert wird, reagiert der Monitor auf abgestrahlte Frequenzen.	Bitten Sie Ihre Abteilung für Biomedizintechnik, sich bei dem Hersteller des Monitors zu erkundigen. Einige Hersteller bieten HF-Drosselfilter für den Einsatz in Monitorkabeln an. Die Filter reduzieren Störungen, wenn der CoolSeal™ Generator aktiviert wird, und minimieren das Potenzial für eine elektrochirurgische Verbrennung an der Stelle der Monitorelektrode.
Störung durch den Herzschrittmacher	Intermittierende Verbindungen oder Metall-Metall-Funkenbildung	Patienten mit Herzschrittmachern während der Operation immer überwachen und einen Defibrillator verfügbar halten.
Aktivierung des internen kardialen Defibrillators (ICD)	Der ICD wird durch CoolSeal™ Generator aktiviert.	Das Verfahren stoppen und den ICD-Hersteller für Anweisungen kontaktieren.
Interferenz mit anderen Geräten nur, wenn der CoolSeal™ Generator aktiviert ist	Elektrisch inkonsistente Erdungsdrähte im Operationssaal	Prüfen, ob alle Erdungsdrähte so kurz wie möglich sind und zum gleichen geerdeten Metall gehen.
	Wenn die Störung fortbesteht, wenn der CoolSeal™ Generator aktiviert wird, reagiert das Gerät auf abgestrahlte Frequenzen.	Bitten Sie Ihre Abteilung für Biomedizintechnik, sich beim Hersteller des Geräts zu erkundigen.

Kapitel 6. Regelmäßige Funktionsprüfung, Wartung und Service

Dieses Kapitel enthält die folgenden Informationen:

- Verantwortung des Herstellers
- Regelmäßige Funktionsprüfung und Wartung
- Rückgabe des Generators für den Service
- Software-Upgrades

Vorsicht

Lesen Sie vor der Verwendung alle Warnhinweise, Vorsichtshinweise und Anweisungen, die diesem Generator beiliegen. Spezifische Anweisungen für CoolSeal™ Instrumente sind in diesem Handbuch nicht enthalten. Für Warnhinweise, Vorsichtshinweise und Gebrauchsanweisungen beachten Sie die Gebrauchsanweisung des CoolSeal™ Instruments.

Verantwortung des Herstellers

Bolder Surgical ist nur dann für die Sicherheit, Zuverlässigkeit und Leistung des CoolSeal™ Generators verantwortlich, wenn alle folgenden Bedingungen erfüllt sind:

- Die Installations- und Einrichtungsverfahren in diesem Handbuch werden befolgt.
- Von Bolder Surgical autorisierte Personen führen Montage, Betrieb, Nachjustierungen, Modifikationen oder Reparaturen durch.
- Die elektrische Installation des entsprechenden Raums entspricht den lokalen Vorschriften und behördlichen Anforderungen, wie IEC und BSI.
- Das Gerät wird gemäß der Gebrauchsanweisung von Bolder Surgical verwendet. Informationen zur Garantie finden Sie im Abschnitt „Garantie“ in diesem Handbuch.

Regelmäßige Funktionsprüfung und Wartung

Wann sollten regelmäßige Funktionsprüfungen durchgeführt werden?

Bolder Surgical empfiehlt, dass mindestens alle zwei Jahre eine regelmäßige Funktionsprüfung des CoolSeal™ Generators durchgeführt wird. Die regelmäßige Funktionsprüfung darf nur von einem qualifizierten biomedizinischen Techniker durchgeführt werden; der CoolSeal™ Generator kann auch zur regelmäßigen Funktionsprüfung an Bolder Surgical oder seinen Händler zurückgegeben werden. Siehe Anhang A für detaillierte Anweisungen zur regelmäßigen Funktionsprüfung.

Wann muss das Netzkabel ausgetauscht werden?

Bei freiliegenden Drähten, Rissen, ausgefranstes Kanten oder einem beschädigten Anschluss das Netzkabel ersetzen.

Wann sollten die Sicherungen ausgetauscht werden?

Die Abteilung für Biomedizintechnik des Krankenhauses muss möglicherweise gelegentlich Sicherungen ersetzen. Sicherungen sollten entweder ausgetauscht werden, wenn eine Sicherung den CoolSeal™ Generator geschützt hat und dabei durchgebrannt ist oder wie von der Abteilung für Biomedizintechnik des Krankenhauses für vorbeugende Wartung angegeben. Wenn innerhalb kurzer Zeit wiederholt Sicherungen ausfallen, die Sicherungen nicht weiter austauschen und den CoolSeal™ Generator zur Wartung zurückgeben.

Wie können die Sicherungen ausgetauscht werden?

1. Den Generator ausschalten und das Netzkabel von der Steckdose trennen.
2. Das Netzkabel des Systems vom elektrischen Eingang auf der Rückseite trennen.
3. Das Sicherungsfach unterhalb des elektrischen Eingangs entriegeln.
4. Beide Sicherungen entfernen.
5. Die Sicherungen mit denselben Kenndaten besorgen, die unter dem elektrischen Eingang auf der Rückseite gekennzeichnet sind.
6. Beide Sicherungen einlegen.
7. Sicherungsfach einschieben und verriegeln.

Produktservice

Warnhinweis

Stromschlaggefahr: Die Abdeckung des CoolSeal™ Generators nicht abnehmen.

Nicht versuchen, den CoolSeal™ Generator zu warten. Alle Servicearbeiten und Reparaturen müssen von einem von Bolder Surgical™ autorisierten Techniker durchgeführt werden.

Rückgabe des CoolSeal™ Generators für den Service

Vor der Rückgabe des CoolSeal™ Generators Ihren Bolder Surgical™ Vertriebsmitarbeiter anrufen, um Unterstützung zu erhalten. Wenn Sie angewiesen werden, den Generator an Bolder Surgical zu schicken, führen Sie Folgendes aus:

1. Rufen Sie das Bolder Surgical™ Customer Service Center für Ihre Region an, um eine Rücksendegenehmigungsnummer zu erhalten. Halten Sie folgende Informationen bereit, wenn Sie anrufen:
 - Name/Kundennummer des Krankenhauses/der Klinik
 - Ihre Telefonnummer
 - Abteilung/Adresse, Stadt, Bundesland und Postleitzahl
 - Modellnummer
 - Seriennummer
 - Beschreibung des Problems
 - Art des durchzuführenden Service, der Aufrüstung oder der Reparatur
2. Den CoolSeal™ Generator reinigen.
 - Siehe den Abschnitt „Reinigung“ oben.
3. Den CoolSeal™ Generator versenden.
 - Ein Etikett am Generator anbringen, das die Rückgabeberechtigungsnummer und die in Schritt 1 aufgeführten Informationen (Krankenhaus, Telefonnummer usw.) aufweist.
 - Vergewissern Sie sich, dass der Generator vollständig trocken ist, bevor Sie ihn zum Versand verpacken. Den Generator in seinem ursprünglichen Versandbehälter verpacken, falls verfügbar.
 - Den Generator frachtfrei an das Bolder Surgical™ Service Center schicken.

Software-Upgrades

Das Personal von Bolder Surgical™ muss Software-Upgrades durchführen. Anweisungen dazu sind unter *Rückgabe des CoolSeal™ Generators für den Service* (oben) zu finden.

Kapitel 7. Technische Spezifikationen

Alle Spezifikationen sind nominal und können ohne Vorankündigung geändert werden.

Eine Spezifikation, die als „typisch“ bezeichnet wird, liegt innerhalb von $\pm 20\%$ eines angegebenen Werts bei Raumtemperatur (25 °C/77 °F) und einer nominalen Eingangsspannung der Leitung.

Vorsicht

Lesen Sie vor der Verwendung alle Warnhinweise, Vorsichtshinweise und Anweisungen, die diesem Generator beiliegen. Spezifische Anweisungen für CoolSeal™ Instrumente sind in diesem Handbuch nicht enthalten. Für Warnhinweise, Vorsichtshinweise und Gebrauchsanweisungen beachten Sie die Gebrauchsanweisung des CoolSeal™ Instruments.

Leistungsmerkmale

Allgemein

Konfiguration des Ausgangs:	Isolierter Ausgang
Kühlung:	Natürliche Konvektion der Umgebungsluft
Anzeige:	Anzeigeleuchten und Standby-Netzschalter
Anschlussbuchsen:	Von LED beleuchtete Steckererkennung
Montage:	OP-Arm-Systeme Jede stabile, ebene Fläche, wie z. B. ein Tisch oder ein Wagen

Abmessungen und Gewicht

Breite:	30,5 cm (12 Zoll)
Tiefe:	38,1 cm (15 Zoll)
Höhe:	10,9 cm (4,3 Zoll)
Gewicht:	5,4 kg (12 lbs.)

Betriebsparameter

Umgebungstemperaturbereich:	+10 °C bis +35 °C
Relative Luftfeuchtigkeit:	30 % bis 75 % (nicht kondensierend)
Atmosphärischer Druck:	67 Kilopascal bis 111 Kilopascal
Aufwärmzeit:	Bei Transport oder Lagerung bei Temperaturen außerhalb des Betriebstemperaturbereichs den CoolSeal™ Generator eine Stunde lang die Betriebstemperatur erreichen lassen.

Transport und Lagerung

Umgebungstemperaturbereich:	-20 °C bis +60 °C
Relative Luftfeuchtigkeit:	0 % bis 90 % (nicht kondensierend)
Atmosphärischer Druck:	46 Kilopascal bis 111 Kilopascal

Interner Speicher

Nicht flüchtig:	RAM
Speicherkapazität:	Der Speicher kann Informationen für die letzten 2000 Versiegelungszyklen speichern. Daten sind nicht patientenspezifisch und nicht für den Benutzer zugänglich.

Aktivierungston

Die nachfolgend angegebenen Audiopegel dienen zur Aktivierung von Versiegelungstönen in einer Entfernung von einem Meter.

Lautstärke (einstellbar):	40 dBA bis 80 dBA
Frequenz	
CoolSeal™ Versiegelung:	349,2 Hz
Dauer:	Kontinuierlich, während das System aktiv HF-Energie abgibt

Akustische Alarmsignale

Lautstärke (einstellbar):	65 dBA bis 80 dBA
Frequenz	
Systemfehler und Instrumentenfehler:	Ein Ton einer Länge von 550 ms Hoch = 2637 Hz, niedrig = 440 Hz 550 ms
Versiegelung abgeschlossen:	Drei aufeinander folgende Töne 349,2 Hz, 392 Hz und 440 Hz 75 ms, 150 ms und 300 ms Dauer
Reaktivieren/ Versiegelung unvollständig:	Drei Töne Hoch = 2489 Hz, Niedrig = 349,2 Hz 80-ms-Töne, dazwischen Pausen von 100 ms

Eingangsleistung

Maximale Leistung bei Leitungsnennspannung: 110 W
Netzstrom (maximal) Leerlauf: 250 mA Versiegelung: 1 A
Frequenzbereich der Netzleitung (nominal): 50 Hz bis 60 Hz
Spannungsbereich der Netzleitung (nominal): 100–240 V
Sicherungen (2): Typ T5AH 250 V oder äquivalent, 5 mm x 20 mm 5 A, 250 V, Verzögerungssicherung, hohe Schaltleistung
Netzeingang: IEC 60320 C14

Netzkabelspezifikation

Diese Einheit wurde ab Werk mit einem Netzkabel für 110 V Wechselstrom für Krankenhäuser mit einem NEMA5-15-Netzanschluss ausgestattet. Wenn Sie das Wechselstromnetzkabel für eine andere Konfiguration des Netzanschlusses austauschen, muss die Konfiguration des Ersatzanschlusses/Kabels/der Steckdose mindestens die folgenden Spezifikationen erfüllen:

100–120 V Wechselstrom

Kabel:	SJT 18/3, IEC-Farbcode, maximale Länge 3 m (10 ft.)
Netzanschluss:	Krankenhausqualität, erfüllt die Anforderungen des jeweiligen Landes
Minimum:	10 A – 125 V Wechselstrom
Steckdose der Einheit:	IEC 60320 C13, mindestens 10 A – 125 V Wechselstrom

220–240 V Wechselstrom

Kabel:	H05VVF3G1.0, maximale Länge 3 m (10 ft.)
Netzanschluss:	Krankenhausqualität, erfüllt die Anforderungen des jeweiligen Landes
Minimum:	6 A – 250 V Wechselstrom
Steckdose der Einheit:	IEC 60320 C13, mindestens 6 A – 250 V Wechselstrom

Technische Spezifikationen

Eingangsfrequenz

Der CoolSeal™ Generator arbeitet bei allen Eingangsfrequenzen zwischen 47 Hz und 63 Hz innerhalb der Spezifikation. Der Benutzer muss den CoolSeal™ Generator für verschiedene Leitungsfrequenzen nicht neu konfigurieren.

Eingangsstrom

Der CoolSeal™ Generator zieht bei jeder Eingangsspannung nicht mehr als 5 A.

Notstrom

Der CoolSeal™ Generator behält die Kalibrierungs- und statistischen Daten bei, wenn er ausgeschaltet und vom Netz getrennt wird. Der CoolSeal™ Generator arbeitet innerhalb der Spezifikation, wenn er durch Backup-Systeme des Krankenhauses auf eine eingespeiste Netzspannung umgeschaltet wird.

Potentialausgleichsanschluss

Auf der Rückseite des CoolSeal™ Generators ist ein Potentialausgleichsanschluss vorgesehen, um bei Bedarf den Anschluss eines Potentialausgleichsleiters zu ermöglichen.

Betriebszyklus

Bei maximalen Leistungseinstellungen und Nennlastbedingungen ist der CoolSeal™ Generator in der Lage, einen Arbeitszyklus von 25 % durchzuführen, definiert als 5 Sekunden aktive HF-Abgabe und 15 Sekunden Inaktivität.

Niederfrequenz(50/60 Hz)-Leckstrom

Entspricht IEC 60601-1, Ausg. 3.1

Grenzwerte für Niederfrequenz:

Erdableitung:	5 mA unter normalen Bedingungen	10 mA unter Einzelfehlerbedingung
Berührungsstrom:	100 µA unter normalen Bedingungen	500 µA unter Einzelfehlerbedingung
Patientenleckage: <i>(basierend auf Anwendungsteil des Typs CF)</i>	10 µA unter normalen Bedingungen	50 µA unter Einzelfehlerbedingung (Gleich- oder Wechselstrom)
Patientenleckage mit Netz am Anwendungsteil des Typs F: <i>(basierend auf Anwendungsteil des Typs CF)</i>		50 µA

Normen und IEC-Klassifikationen

Der CoolSeal™ Generator erfüllt alle relevanten Bestimmungen der IEC 60601-1 Ausg. 3.1, IEC 60601-1-2 Ausg. 4.0 und IEC 60601-2-2 Ausg. 6.0.

Symbole

	Gebrauchsanweisung beachten		Wechselstromeingang (Netzstrom)
	Warnung, Elektrizität Um das Risiko eines Stromschlags zu verringern, die Abdeckung nicht entfernen. Service ist von qualifiziertem Personal durchzuführen.		Wechselstromausgang (HF)
	Seriennummer		Standby, Leistung
	Bevollmächtigter in der Europäischen Gemeinschaft		Temperaturgrenze
	Katalog-, Nachbestellungs- oder Bezugsnummer		Luftfeuchtigkeitsgrenze
	Medizinprodukt		Begrenzung des atmosphärischen Drucks
	Registrierter Hersteller		Vor Nässe schützen
	Herstellungsdatum		In Übereinstimmung mit IEC 60601-1 und CAN/CSA C22.2 Nr. 601.1 nur in Bezug auf Stromschlag, Brand und mechanische Gefahren klassifiziert.
	Der Generator ist für ein Anwendungsteil des Typs CF bestimmt.		Entspricht den Anforderungen von FCC, Teil 15.
	Potentialgleichheit		Lautstärkeanpassung für Aktivierungstöne, Drehen im Uhrzeigersinn erhöht die Lautstärke.
	Sicherung		Das Gerät darf nicht im Restmüll entsorgt werden.

Klassifikationen

Geräte der Klasse I (IEC 60601-1)

Zugängliche leitfähige Teile können aufgrund der Art und Weise, wie sie mit dem Schutzleiter verbunden sind, im Falle eines Ausfalls der Grundisolierung nicht stromführend werden.

Elektromagnetische Verträglichkeit (IEC-60601-1-2)

Dieses Gerät entspricht Teil 15 der FCC-Bestimmungen. Der Betrieb unterliegt den folgenden zwei Bedingungen:

- (1) Dieses Gerät darf keine schädlichen Störungen verursachen, und
- (2) Dieses Gerät muss empfangene Störstrahlung tolerieren, einschließlich Störstrahlung, die zu einem unerwünschten Betrieb führen könnte.

Geräte des Typs CF (IEC 60601-1)

Dieser Generator bietet ein hohes Maß an Schutz vor Stromschlag, insbesondere in Bezug auf zulässige Leckströme. Er hat einen isolierten (erdfreien) Ausgang des Typs CF und kann für Verfahren mit Herzbeteiligung verwendet werden.

IP XX Eindringen/Verschüttung von Flüssigkeit (IEC 60601-1 und IEC 60601-2-2)

Der CoolSeal™ Generator ist so konstruiert, dass Flüssigkeitsverschüttungen bei normalem Gebrauch die elektrische Isolierung oder andere Komponenten nicht nass machen, die in nassem Zustand die Sicherheit des Geräts beeinträchtigen könnten.

Spannungstransienten – Energieplattform-Netzübertragung (IEC 60601-1 und IEC 60601-2-2)

Der CoolSeal™ Generator arbeitet weiterhin normal, ohne Fehler oder Systemausfälle, wenn ein Wechsel zwischen der Wechselstromleitung und einer Spannungsquelle einer Notenergieplattform durchgeführt wird. (IEC 60601-1- 2)

Elektromagnetische Verträglichkeit (IEC 60601-1-2 und IEC 60601-2-2)

Der CoolSeal™ Generator erfüllt die entsprechenden Spezifikationen der IEC 60601-1-2 und IEC 60601-2-2 bezüglich elektromagnetischer Verträglichkeit.

Warnhinweis

Die Verwendung neben- oder übereinander mit anderen Geräten ist zu vermeiden, da dies zu einem nicht ordnungsgemäßen Betrieb führen kann. Wenn eine derartige Verwendung erforderlich ist, müssen dieses Gerät und die anderen Geräte überwacht werden, um zu bestätigen, dass sie normal funktionieren.

Tragbare HF-Kommunikationsgeräte (einschließlich von Peripheriegeräten wie Antennenkabel und externen Antennen) sollten nicht näher als 30 cm (12 Zoll) zu irgendeinem Teil des CoolSeal™ Generators verwendet werden, einschließlich der von Bolder Surgical spezifizierten Kabel. Andernfalls kann ein Abfall der Leistung dieses Geräts die Folge sein.

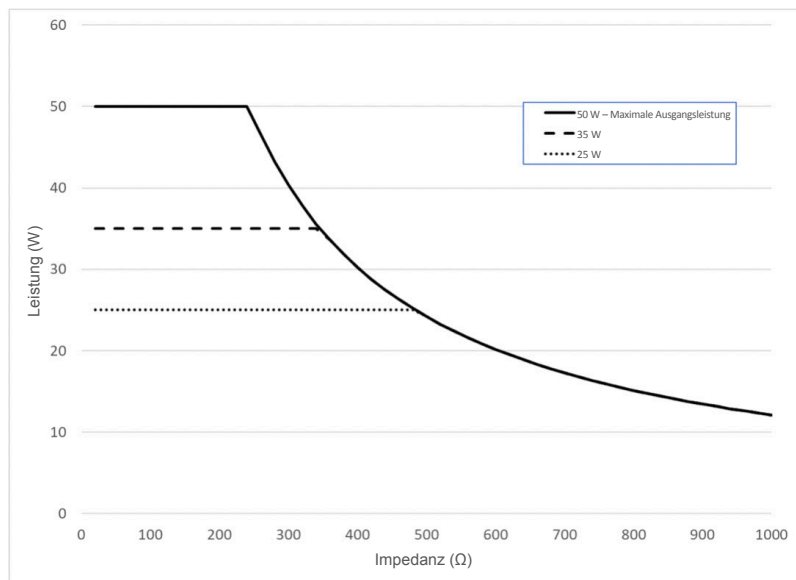
Ausgangsmerkmale

Maximale Leistung für den CoolSeal™ Generator

Die Leistungsauslesungen stimmen mit der tatsächlichen Leistung in Nennlast innerhalb von 20 % oder 5 Watt überein, je nachdem, welcher Wert größer ist.

Leerlauf-Spitzenspannung (max.)	Nennlast	Nennausgangsleistung (max.)	Scheitelfaktor	Wellenform-Arbeitszyklus
190 V	20 Ω	50 W	1,9	100 %

Grafik Ausgangsleistung vs. Impedanz



Elektromagnetische Störfestigkeit

Leitlinien und Herstellererklärung – Elektromagnetische Emissionen

Der CoolSeal™ Generator ist für den Einsatz in der nachstehend angegebenen elektromagnetischen Umgebung vorgesehen. Der Kunde oder Benutzer des CoolSeal™ Generators sollte sicherstellen, dass er in einer solchen Umgebung verwendet wird.

HF-Emissionen CISPR 11	Gruppe 2	Der CoolSeal™ Generator muss elektromagnetische Energie abgeben, um seine beabsichtigte Funktion auszuführen. In der Nähe befindliche elektronische Geräte können beeinträchtigt werden.
Leitungsgebundene Emissionen EN 55011:2009+A1:2010, CISPR 11:2009+A1:2010	Klasse A	
Abgestrahlte Emissionen EN 55011:2009+A1:2010, CISPR 11:2009+A1:2010	Klasse A	Der CoolSeal™ Generator eignet sich für die Verwendung in allen Einrichtungen außer in Wohngebäuden und in Gebäuden mit direktem Niederspannungsanschluss an ein öffentliches Versorgungsnetz für Wohngebiete.
Harmonische Emissionen IEC/EN 61000-3-2:2014	Gerät der Klasse A	
Spannungsschwankungen/Flicker IEC/EN 61000-3-3:2013	Gemäß Paragraph 5 der Norm	

Grundlegende Sicherheit gemäß IEC 60601-1 ist die Leistungsanforderung, die während der Störfestigkeitsprüfung verwendet wird. Wesentliche Leistung entfällt.

Hinweis

Die EMISSIONSEIGENSCHAFTEN dieses Geräts machen es für den Einsatz in industriellen Bereichen und Krankenhäusern geeignet (CISPR 11 Klasse A). Wenn es in einer Wohnumgebung verwendet wird (für die normalerweise CISPR 11 Klasse B erforderlich ist), bietet dieses Gerät möglicherweise keinen angemessenen Schutz für hochfrequente Kommunikationsdienste. Der Benutzer muss möglicherweise Maßnahmen zur Risikominderung ergreifen, wie z. B. die Verlagerung oder Neuausrichtung des Geräts.

Richtlinien und Erklärung des Herstellers – Elektromagnetische Störfestigkeit

Der CoolSeal™ Generator ist für den Einsatz in der nachstehend angegebenen elektromagnetischen Umgebung vorgesehen. Der Kunde oder Benutzer des CoolSeal™ Generators sollte sicherstellen, dass er in einer solchen Umgebung verwendet wird.

Störfestigkeitsprüfung	IEC 60601 Prüfebene	± Konformitätsstufe	Elektromagnetisches Umfeld – Richtlinie
Elektrostatische Entladung IEC/EN 61000-4-2	± 8 kV Kontaktentladung ± 2, 4, 8 und 15 kV Luftentladung	± 8 kV Kontaktentladung ± 2, 4, 8 und 15 kV Luftentladung	Die Böden sollten aus Holz, Beton oder Keramikfliesen bestehen. Wenn die Böden mit synthetischen Materialien bedeckt sind, sollte die relative Luftfeuchtigkeit mindestens 30 % betragen.
Gestrahlte Störfestigkeit IEC 61000-4-3:2006 + A1:2008 + A2:2010	80 MHz–6 GHz 3 V/m 80 % bei 1 kHz 28 V/m Punkt- frequenzen 385 MHz – 2,7 GHz Impulsmodulation	80 MHz–6 GHz 3 V/m 80 % bei 1 kHz 28 V/m Punkt- frequenzen 385 MHz – 2,7 GHz Impulsmodulation	Die empfohlenen, aus der Gleichung für die jeweilige Sendefrequenz berechenbaren Mindestabstände sind einzuhalten, wenn in der Nähe einer beliebigen Komponente oder eines Kabels des CoolSeal™ Generators tragbare oder mobile Geräte verwendet werden, die mit Hochfrequenzkommunikation arbeiten.
Nahfeld von drahtlosen HF-Kommunikationsgeräten IEC 61000-4-3	Gemäß Tabelle 9 der Norm IEC 60601-1-2	Siehe die Tabelle der Frequenzbereiche und Testbedingungen für drahtlose HF-Kommunikationsgeräte auf der nächsten Seite.	Empfohlener Mindestabstand $d = [2] \sqrt{P}$ Hierbei ist P die maximale Nennausgangsleistung des Senders in Watt (W) gemäß den Angaben des Herstellers des Senders, und d ist der empfohlene Mindestabstand in Metern (m). Feldstärken stationärer HF-Sender müssen gemäß einer elektromagnetischen Untersuchung vor Ort ^a in allen Frequenzbereichen unterhalb des jeweiligen Richtwerts liegen ^b .
Leitungsgebundene Störfestigkeit (Wechselstrom) (E/A-Leitungen) IEC/EN 61000-4-6	0,15–80 MHz 3 Ueff und 6 Ueff im ISM-Band 1 kHz Wechselstromnetz	0,15–80 MHz 3 Ueff und 6 Ueff im ISM-Band 1 kHz Wechselstromnetz	Die ISM (industriellen, wissenschaftlichen und medizinischen)-Bänder zwischen 0,15 MHz und 80 MHz sind 6,765 MHz bis 6,795 MHz, 13,553 MHz bis 13,567 MHz, 26,957 MHz bis 27,283 MHz und 40,66 MHz bis 40,70 MHz.
Schnelle elektrische Störimpulse (Wechselstrom) IEC/EN 61000-4-4	± 2 kV Wechselstromnetz ± 1 kV - E/A-Leitungen 5/50 5 kHz und 100 kHz	± 2 kV Wechselstromnetz ± 1 kV - E/A-Leitungen 5/50 5 kHz und 100 kHz	Die Netzstromqualität sollte der einer typischen gewerblichen oder Krankenhausumgebung entsprechen.
Überspannung Leiter-Leiter (Wechselstrom) IEC/EN 61000-4-5	± 1 kV Leiter-Leiter Leiter-Erde	± 1 kV Leiter-Leiter Leiter-Erde	Die Netzstromqualität sollte der einer typischen gewerblichen oder Krankenhausumgebung entsprechen.
Magnetische Störfestigkeit IEC/EN 61000-4-8	30 A/m 50/60 Hz	30 A/m 50/60 Hz	Magnetfelder der Netzfrequenz müssen eine Stärke aufweisen, die einem üblichen Standort in einer typischen Industrie- oder Krankenhausumgebung entspricht.
Spannungsabfälle und Unterbrechungen IEC/EN 61000-4-11	0 % UT; 0,5 Zyklen 0 % UT; 1 Zyklus 70 % UT; 25 Zyklen 0 % UT; 5 s	0 % UT; 0,5 Zyklen 0 % UT; 1 Zyklus 70 % UT; 25 Zyklen 0 % UT; 5 s	Wenn der Benutzer des CoolSeal™ Generators auch bei Unterbrechungen der Netzstromversorgung einen kontinuierlichen Betrieb benötigt, wird empfohlen, den CoolSeal Generator über eine unterbrechungsfreie Stromversorgung oder Batterie zu betreiben.

HINWEIS: Diese Leitlinien gelten nicht zwangsläufig für alle Situationen. Die Ausbreitung elektromagnetischer Felder wird durch Absorption und Reflexion von Bauwerken, Objekten und Personen beeinflusst.

*Eine theoretische Bestimmung der Feldstärken stationärer Sender wie Basisstationen von Funktelefonen (Mobil-, Schnurlostelefone), Mobilfunkanlagen, Amateurfunkanlagen, UKW- und MW-Sender sowie Fernsehsender ist nicht mit hinreichender Genauigkeit möglich. Um die elektromagnetische Umgebung aufgrund von stationären Funksendern zu beurteilen, sollte eine elektromagnetische Untersuchung vor Ort erwogen werden. Wenn die gemessene Feldstärke an dem Ort, an dem der CoolSeal™ Generator verwendet wird, den oben genannten HF-Konformitätspegel überschreitet, sollte der CoolSeal™ Generator beobachtet werden, um den normalen Betrieb zu überprüfen. Sollte dabei ein ungewöhnliches Betriebsverhalten auftreten, müssen eventuell weitere Maßnahmen durchgeführt werden, und der CoolSeal™ Generator muss ggf. neu ausgerichtet oder an eine andere Stelle verbracht werden.

^bIm gesamten Frequenzbereich zwischen 150 kHz und 80 MHz sollten die Feldstärken unter 3 V/m liegen.

Richtlinien und Erklärung des Herstellers – Elektromagnetische Störfestigkeit

Frequenzbereiche und Testbedingungen für drahtlose HF-Kommunikationsgeräte

Frequenzband (MHz)	Testfrequenz (MHz)	Modulation ^a	Konformitätsstufe (V/m)
380–390	380–390	Impuls – 18 Hz	27
430–470	450	FM ± 5 kHz Abweichung 1 kHz Sinus	28
704–787	710	Impuls – 217 Hz	9
	745		
	780		
800–960	810	Impuls – 18 Hz	28
	870		
	930		
1700–1990	1720	Impuls – 217 Hz	28
	1845		
	1970		
2400–2570	2450	Impuls – 217 Hz	28
5100–5800	5240	Impuls – 217 Hz	9
	5500		
	5785		

^a Impulsmodulation ist definiert als ein Rechteckwelleneingang mit einem Arbeitszyklus von 50 % bei der aufgeführten Frequenz.

HINWEIS: Tragbare HF-Kommunikationsgeräte sollten nicht näher als 30 cm (12 Zoll) zu irgendeinem Teil des CoolSeal™ Generators verwendet werden, einschließlich der von Bolder Surgical spezifizierten Kabel. Andernfalls kann ein Abfall der Leistung dieses Geräts die Folge sein.

Empfohlene Mindestabstände zwischen tragbaren und mobilen HF-Kommunikationsgeräten und dem CoolSeal™ Generator

Der CoolSeal™ Generator ist für den Gebrauch in einer elektromagnetischen Umgebung vorgesehen, in der abgestrahlte HF-Störungen kontrolliert werden. Der Kunde oder Benutzer des CoolSeal™ Generators kann dazu beitragen, elektromagnetische Störungen zu verhindern, indem er einen Mindestabstand zwischen tragbaren und mobilen HF-Kommunikationsgeräten (Sendern) und dem CoolSeal™ Generator einhält, wie unten empfohlen, je nach der maximalen Ausgangsleistung der Kommunikationsgeräte.

Maximale Nennausgangsleistung des Senders	Mindestabstand vom Sender $d = [2]\sqrt{P}$
0,01	0,20
0,1	0,63
1	2,00
10	6,32
100	20,00

Für Sender, deren maximale Nennausgangsleistung in dieser Tabelle nicht enthalten ist, kann der empfohlene Mindestabstand d in Metern (m) mit Hilfe der auf die Frequenz des Senders anwendbare Gleichung abgeschätzt werden. Hierbei ist P die maximale Nennausgangsleistung des Senders in Watt (W) gemäß Herstellerangabe.

HINWEIS: Diese Leitlinien gelten nicht zwangsläufig für alle Situationen. Die Ausbreitung elektromagnetischer Felder wird durch Absorption und Reflexion von Bauwerken, Objekten und Personen beeinflusst.

Anhang A – Regelmäßige Funktionsprüfung

Der Zweck des Tests besteht darin, die ordnungsgemäße Funktion des CoolSeal™ Generators zu bestätigen. Es wird empfohlen, diesen Test mindestens alle zwei Jahre durchzuführen, um sicherzustellen, dass die ordnungsgemäße Funktion im Laufe der Zeit aufrechterhalten wird. Das Datum der letzten Bolder Surgical™ Funktionsprüfung ist auf dem Etikett des abschließenden Prüfdatums zu finden. Dieser Test kann häufiger verwendet werden, als es die Krankenhausrichtlinien erfordern.

Warnhinweis

Das Gehäuse des CoolSeal™ Generators nicht öffnen. Das Gehäuse enthält keine wartungsfähigen Komponenten. Es sind zusätzliche Tests erforderlich, um zu bestätigen, dass der sichere Betrieb aufrechterhalten wird, sobald das Gehäuse geöffnet wurde. Diese Tests sind nur im Bolder Surgical™ Service Center verfügbar. Nichtbeachtung kann zu einem erhöhten Risiko für Stromschläge führen.

Hinweis

Nur qualifizierte Personen dürfen die CoolSeal™ Funktionsprüfung durchführen.

Wichtig

Ein optionales Formular wird unten bereitgestellt, um die Ergebnisse der regelmäßigen Funktionsprüfung aufzuzeichnen.

Warnhinweis

Versuchen Sie nicht, das Funktionsprüfungskabel für andere Zwecke als die hierin beschriebenen Schritte zu verwenden. Nicht klinisch einsetzen.

Definitionen:

UUT – Prüfling (Unit Under Test)

ESA – Analysator für elektrische Sicherheit

ESuA – Elektrochirurgischer Analysator

Erforderliche Geräte:

UUT – CoolSeal™ Generator – CSL-200-50

ESA – Fluke elektrischer Sicherheitsanalysator, Modell ESA612 (oder gleichwertig)

ESuA – Fluke elektrochirurgischer Analysator, Modell QA-E SII, QA-ES III (oder gleichwertig)

Funktionsprüfungskabel – CSL-FTC

Stoppuhr

Kriterien für Bestanden/Fehlgeschlagen:

- Die unten aufgeführten Schritte befolgen, um das angegebene Ergebnis zu erhalten. Wenn dieses Ergebnis nicht erzielt wird, die Schritte wiederholen.
- Wenden Sie sich an Bolder Surgical, um den Service zu vereinbaren, um Ausfälle oder Anomalien zu beheben.
- Nicht versuchen, den CoolSeal™ Generator zu reparieren.
- Der Versuch, den CoolSeal™ Generator zu reparieren, verstößt gegen die Produktgarantie.

Verfahren:

AUFZEICHNUNG DER ERGEBNISSE:

1. Die Ergebnisse der folgenden Tests können auf einer Kopie des angehängten Protokolls aufgezeichnet werden. Nach jedem Schritt unten das Ergebnis im entsprechenden Abschnitt notieren, der durch **<RECORD RESULTS> (AUFZEICHNUNG DER ERGEBNISSE)** angegeben ist. Numerische Werte, wo angegeben, erfassen und **B** für Bestanden bzw. **F** für Fehlgeschlagen einkreisen.

INSPEKTION:

1. Überprüfen Sie das Gerät auf externe Schäden oder fehlende Komponenten; es sollten keine Schäden oder fehlenden Komponenten gefunden werden. **<RECORD RESULTS> (AUFZEICHNUNG DER ERGEBNISSE)**
2. Überprüfen Sie das Netzkabel auf Schäden; es sollten keine Schäden festgestellt werden. **<RECORD RESULTS> (AUFZEICHNUNG DER ERGEBNISSE)**

ANZEIGELEUCHTEN UND AUDIO-ANZEIGEN:

1. Schalten Sie den Prüfling ein und drücken Sie die Ein/Aus-Taste. Die Ein/Aus-Taste sollte GRÜN aufleuchten und eine Abfolge von drei (3) Tönen sollte zu hören sein. Eine ROTE Einschalttaste zeigt einen Fehler des Selbsttests beim Einschalten an. **<RECORD RESULTS> (AUFZEICHNUNG DER ERGEBNISSE)**
2. Das Funktionsprüfungskabel in die Instrumentensteckdose einstecken; die Anzeige der Instrumentensteckdose sollte weiß aufleuchten. **<RECORD RESULTS> (AUFZEICHNUNG DER ERGEBNISSE)**
3. Die Stromversorgung des Prüflings ausschalten. Die Taste zum Aktivieren drücken und gedrückt halten. Die Stromversorgung einschalten, während die Taste zum Aktivieren gedrückt gehalten wird. Die Ein/Aus-Taste leuchtet GRÜN auf und es sollte eine Abfolge von drei (3) Signaltönen zu hören sein, gefolgt von einem zweiten Signalton; dann blinkt die Anzeige der Instrumentensteckdose GELB. **<RECORD RESULTS> (AUFZEICHNUNG DER ERGEBNISSE)**
4. Das Funktionsprüfungskabel entfernen und den Prüfling aus- und wieder einschalten. Der Netzschalter sollte GRÜN sein. Während die Aktivierungstaste am Funktionsprüfungskabel gedrückt gehalten wird, das Funktionsprüfungskabel in die Instrumentensteckdose einstecken. Ein einzelner Ton ertönt; danach blinkt die Anzeige der Instrumentensteckdose GELB. **<RECORD RESULTS> (AUFZEICHNUNG DER ERGEBNISSE)**
5. Schalten Sie den Prüfling aus und wieder ein, um vom vorherigen Schritt zurückzusetzen. Den Schalter am Funktionsprüfungskabel in die Position „Open“ (Offen) setzen und die Aktivierungstaste drücken und gedrückt halten. Die Aktivierungsanzeige zeigt kurzzeitig eine FUCHSIENFARBE an und beginnt mit dem Versiegelungston, gefolgt von einer GELBEN Anzeige von etwa 1 Sekunde und dem 3-Ton-Alarm für erneutes Fassen. Das kann wie 4 Töne klingen. **<RECORD RESULTS> (AUFZEICHNUNG DER ERGEBNISSE)**
6. Den Schalter am Funktionsprüfungskabel in die Position „Short“ (Kurz) bringen. Die Aktivierungstaste drücken und gedrückt halten und bestätigen, dass die Aktivierungsanzeige FUCHSIENFARBIG leuchtet und mit dem Versiegelungston von keinem Ton bis zur vollen Intensität variiert. Daraufhin wird die Aktivierungsanzeige GELB und ein 3-Ton-Alarm ertönt. **<RECORD RESULTS> (AUFZEICHNUNG DER ERGEBNISSE)**
7. Wenn sich der Schalter des Funktionsprüfungskabels noch in der Position „Short“ (Kurz) befindet, bereiten Sie sich darauf vor, die Zeit vom Drücken der Aktivierungstaste bis zu dem Zeitpunkt, an dem die Anzeige GELB wird, mit einer Stoppuhr zu messen. Den Aktivierungsknopf drücken und die Dauer der FUCHSIENFARBENEN Phase (Versiegelung) messen. **<RECORD RESULTS> (AUFZEICHNUNG DER ERGEBNISSE)**
8. Wenn sich der Schalter des Funktionsprüfungskabels noch in der Position „Short“ (Kurz) befindet, bereiten Sie sich darauf vor, den Lautstärkeregler während der FUCHSIENFARBENEN Phase (Versiegelungsphase) zu drehen. Die Aktivierungstaste drücken, den Lautstärkeregler auf jedes Extrem drehen und eine Lautstärkeänderung zwischen der Mindest- und der Höchsteinstellung bestätigen. **<RECORD RESULTS> (AUFZEICHNUNG DER ERGEBNISSE)**
9. Das Prüfkabel entfernen, den Prüfling ausschalten und seinen Stecker ziehen.

ERDUNGSKONTINUITÄTSPRÜFUNG:

1. Den ESA einschalten.
2. Das Netzkabel vom Prüfling in den ESA anschließen.
3. Das Prüfkabel an die V/ Ω /A-Buchse des ESA anschließen, um Ohm (Ω) zu messen.
4. Das Prüfkabel an den Masse-/Nullleiteranschluss des ESA anschließen.

5. Darauf achten, dass der ESA den Widerstand (Ω) misst.
6. Den ESA nullen.
7. Das Prüfkabel an den Potentialausgleichsanschluss des Prüflings anschließen.
8. Den Widerstandswert notieren, der durch das Netzkabel und den Prüfling zu beobachten ist. **<RECORD RESULTS> (AUFZEICHNUNG DER ERGEBNISSE)**
9. Den Prüfling vom ESA trennen; den ESA ausschalten.

ERDSCHLUSSPRÜFUNG

1. Den ESA einschalten.
2. Das Netzkabel vom Prüfling am ESA anschließen.
3. Das Funktionsprüfungskabel an die Instrumentensteckdose anschließen.
4. Das Funktionsprüfungskabel auf „Normal“ einstellen; die ROTEN und SCHWARZEN Bananenstecker aufeinanderlegen.
5. Die aufeinandergelegten Stecker in den RAVR(Widerstand)-Port des ESA stecken.
6. Unter Verwendung der Mikroampere-Einstellung (μA) und ERDE die folgende Reihe von Tests durchführen.
7. Normal/Geschlossen **<RECORD RESULTS> (AUFZEICHNUNG DER ERGEBNISSE)**
8. Normal/Offen **<RECORD RESULTS> (AUFZEICHNUNG DER ERGEBNISSE)**
9. Umgekehrt/Offen **<RECORD RESULTS> (AUFZEICHNUNG DER ERGEBNISSE)**
10. Umgekehrt/Geschlossen **<RECORD RESULTS> (AUFZEICHNUNG DER ERGEBNISSE)**
11. Das Funktionsprüfungskabel abnehmen und die obige Reihe von Tests wiederholen.
12. Normal/Geschlossen **<RECORD RESULTS> (AUFZEICHNUNG DER ERGEBNISSE)**
13. Normal/Offen **<RECORD RESULTS> (AUFZEICHNUNG DER ERGEBNISSE)**
14. Umgekehrt/Offen **<RECORD RESULTS> (AUFZEICHNUNG DER ERGEBNISSE)**
15. Umgekehrt/Geschlossen **<RECORD RESULTS> (AUFZEICHNUNG DER ERGEBNISSE)**
16. Den Prüfling vom ESA trennen; den ESA ausschalten.

IMPEDANZPRÜFER

1. Den ESuA einschalten.
2. Den Prüfling einschalten.
3. Den Schalter für das Funktionsprüfungskabel auf „Normal“ stellen.
4. Die ROTEN und SCHWARZEN Stecker des Funktionsprüfungskabels an die entsprechenden ESuA VAR-LOAD-Buchsen anschließen.
5. Das Funktionsprüfungskabel in den Prüfling einführen.
6. Vor dem Fortfahren bestätigen, dass die Ein/Aus-Taste GRÜN ist und die Anzeige der Instrumentensteckdose WEISS ist.

Wichtig

Der CoolSeal™ Generator testet eine Reihe von Leistungsabgaben. Die erste Aktivierung erfolgt bei einer Leistungsabgabe von 25 Watt, die zweite Aktivierung bei einer Leistungsabgabe von 35 Watt und die dritte Aktivierung bei einer Leistungsabgabe von 50 Watt. Mit der vierten Aktivierung beginnt diese Sequenz erneut. Um die Sequenz von einem bekannten Ausgangspunkt aus neu zu starten, einfach das Funktionsprüfungskabel herausziehen und wieder einstecken.

Wichtig

Bei Verwendung des Funktionsprüfungskabels versetzt der CoolSeal™ Generator das Gerät in einen Ausfallzustand, wenn sich die Widerstandslast erheblich ändert. Dies ist während der Funktionsprüfung unwahrscheinlich, aber wenn es passieren sollte, einfach das Gerät einfach aus- und wieder einschalten, um es zurückzusetzen.

-
7. Die Last des ESuA auf 25 Ohm einstellen.
 8. Den Test auf dem ESuA starten.
 9. Die Taste zum Aktivieren drücken und gedrückt halten.
 10. Bei 25 Ohm die maximale Leistungsmessung bei 25 Watt beobachten. **<RECORD RESULTS> (AUFZEICHNUNG DER ERGEBNISSE)**
 11. Die Taste zum Aktivieren drücken und gedrückt halten.
 12. Bei 25 Ohm die maximale Leistungsmessung bei 35 Watt beobachten. **<RECORD RESULTS> (AUFZEICHNUNG DER ERGEBNISSE)**
 13. Die Taste zum Aktivieren drücken und gedrückt halten.
 14. Bei 25 Ohm die maximale Leistungsmessung bei 50 Watt beobachten. **<RECORD RESULTS> (AUFZEICHNUNG DER ERGEBNISSE)**
 15. Den Test auf dem ESuA stoppen.
 16. Die Last des ESuA auf 50 Ohm einstellen.
 17. Den Test auf dem ESuA starten.
 18. Die Taste zum Aktivieren drücken und gedrückt halten.
 19. Bei 50 Ohm die maximale Leistungsmessung bei 25 Watt beobachten. **<RECORD RESULTS> (AUFZEICHNUNG DER ERGEBNISSE)**
 20. Die Taste zum Aktivieren drücken und gedrückt halten.
 21. Bei 50 Ohm die maximale Leistungsmessung bei 35 Watt beobachten. **<RECORD RESULTS> (AUFZEICHNUNG DER ERGEBNISSE)**
 22. Die Taste zum Aktivieren drücken und gedrückt halten.
 23. Bei 50 Ohm die maximale Leistungsmessung bei 50 Watt beobachten. **<RECORD RESULTS> (AUFZEICHNUNG DER ERGEBNISSE)**
 24. Den Test auf dem ESuA stoppen.
 25. Die Last des ESuA auf 225 Ohm einstellen.
 26. Den Test auf dem ESuA starten.
 27. Die Taste zum Aktivieren drücken und gedrückt halten.
 28. Bei 225 Ohm die maximale Leistungsmessung bei 25 Watt beobachten. **<RECORD RESULTS> (AUFZEICHNUNG DER ERGEBNISSE)**
 29. Die Taste zum Aktivieren drücken und gedrückt halten.
 30. Bei 225 Ohm die maximale Leistungsmessung bei 35 Watt beobachten. **<RECORD RESULTS> (AUFZEICHNUNG DER ERGEBNISSE)**
 31. Die Taste zum Aktivieren drücken und gedrückt halten.
 32. Bei 225 Ohm die maximale Leistungsmessung bei 50 Watt beobachten. **<RECORD RESULTS> (AUFZEICHNUNG DER ERGEBNISSE)**
 33. Den Test auf dem ESuA stoppen.
 34. Alles ausschalten und den Prüfling von der Prüfausrüstung trennen.

Formular Zusammenfassung der regelmäßigen Funktionsprüfung

Zusammenfassungsfomular der regelmäßigen Funktionsprüfung Seite 1/2

Generator-Seriennr.: _____

Schritt	TEST	ANFORDERUNG	Werte aufzeichnen	Bestanden/ Fehlgeschlagen einkreisen
Inspektion				
1	Inspektion der Außenseite des Geräts	Kein Schaden		B / F
2	Netzkabel	Kein Schaden		B / F
Anzeigeleuchten und Audio-Anzeigen				
1	Einschalten normal	GRÜNE Ein/Aus-Taste und 3 Töne		B / F
2	Instrumentenanschluss normal	Weißer Steckdosenanzeige		B / F
3	Taste während des Einschaltens stecken geblieben	1) GRÜNE Ein/Aus-Taste und 3 Töne 2) 1 Ton, dann GELB blinkende Buchse		B / F
4	Taste nach dem Einschalten stecken geblieben	1 Ton, dann GELB blinkende Buchse		B / F
5	Prüfung offener Schaltkreis	1) Kurze FUCHSIENFARBENE Anzeige mit Ton 2) GELBE Anzeige mit 3-Ton-Alarm		B / F
6	Kurzschlussprüfung	1) FUCHSIENFARBENE 4-Sekunden-Anzeige mit Ton 2) GELBE Anzeige mit 3-Ton-Alarm		B / F
7	Versiegelungszeitpunkt	Etwa 4 Sekunden variierender FUCHSIENFARBENER Anzeige	_____ s	B / F
8	Volumenprüfung	Volumen ändert sich zwischen Mindest- und Höchst- stufen		B / F

Name des Prüfers

Unterschrift

Datum

Zusammenfassungsformular der regelmäßigen Funktionsprüfung Seite 2/2

Generator-Seriennr.: _____

Schritt	TEST	ANFORDERUNG	Werte aufzeichnen	Bestanden/ Fehlgeschlagen einkreisen
Erdungskontinuitätsprüfung				
8	Wert der Erdungskontinuität	< 0,200 Ohm	____ Ohm	B / F
Erdschlussprüfung				
7	Normal/Geschlossen mit Kabel	< 0,500 μ A	____ μ A	B / F
8	Normal/Offen mit Kabel		____ μ A	B / F
9	Umgekehrt/Offen mit Kabel		____ μ A	B / F
10	Umgekehrt/Geschlossen mit Kabel		____ μ A	B / F
12	Normal/Geschlossen ohne Kabel		____ μ A	B / F
13	Normal/Offen ohne Kabel		____ μ A	B / F
14	Umgekehrt/Offen ohne Kabel		____ μ A	B / F
15	Umgekehrt/Geschlossen ohne Kabel		____ μ A	B / F
Impedanz				
10	Impedanz 25 Ω /Leistung 25 W	20 W – 30 W	____ W	B / F
12	Impedanz 25 Ω /Leistung 35 W	28 W – 42 W	____ W	B / F
14	Impedanz 25 Ω /Leistung 50 W	40 W – 60 W	____ W	B / F
19	Impedanz 50 Ω /Leistung 25 W	20 W – 30 W	____ W	B / F
21	Impedanz 50 Ω /Leistung 35 W	28 W – 42 W	____ W	B / F
23	Impedanz 50 Ω /Leistung 50 W	40 W – 60 W	____ W	B / F
28	Impedanz 225 Ω /Leistung 25 W	20 W – 30 W	____ W	B / F
30	Impedanz 225 Ω /Leistung 35 W	28 W – 42 W	____ W	B / F
32	Impedanz 225 Ω /Leistung 50 W	40 W – 60 W	____ W	B / F

Name des Prüfers

Unterschrift

Datum

Garantie

Bolder Surgical garantiert, dass jedes von dem Unternehmen hergestellte Produkt für den unten aufgeführten Zeitraum bzw. die Zeiträume bei normaler Verwendung und Wartung frei von Material- und Verarbeitungsfehlern ist. Die alleinige Verpflichtung von Bolder Surgical und das ausschließliche Rechtsmittel des Kunden für einen Verstoß gegen diese Garantie sind auf die Reparatur oder den Ersatz eines Produkts oder eines Teils davon beschränkt, das bzw. der innerhalb des unten angegebenen Zeitraums nach Lieferung des Produkts an den ursprünglichen Käufer an Bolder Surgical oder den Vertriebspartner zurückgesandt wurde und bei dem die Prüfung zur Zufriedenheit von Bolder Surgical zeigt, dass das Produkt defekt ist. Diese Garantie gilt nicht für Produkte oder Teile davon, die von anderen Personen außer Bolder Surgical oder seinen bevollmächtigten Vertretern repariert oder verändert wurden oder die Missbrauch, Vernachlässigung oder einem Unfall ausgesetzt wurden. Die Garantiefristen für Bolder Surgical Produkte lauten wie folgt:

Produkttyp	Garantiezeitraum (Zeit nach Versand durch Bolder Surgical)
CoolSeal™ Generator	1 Jahr ab Datum des Versands

MIT AUSNAHME DER OBEN GENANNTEN EINGESCHRÄNKTEN GEWÄHRLEISTUNGEN LEHNT BOLDER SURGICAL, SOWEIT DIES NACH GELTENDEM RECHT ZULÄSSIG IST, AUSDRÜCKLICH ALLE ANDEREN AUSDRÜCKLICHEN, STILLSCHWEIGENDEN ODER GESETZLICHEN GEWÄHRLEISTUNGEN AB, INSBESONDERE DIE STILLSCHWEIGENDEN GEWÄHRLEISTUNGEN DER MARKTGÄNGIGKEIT UND NICHTVERLETZUNG DER EIGENTUMSRECHTE DRITTER.

UNGEACHTET ANDERER BESTIMMUNGEN HIERIN ODER IN EINEM ANDEREN DOKUMENT ODER EINER ANDEREN KOMMUNIKATION HAFTET BOLDER SURGICAL IN KEINEM FALL FÜR ENTGANGENEN GEWINN ODER UMSATZ, PRODUKTVERLUST, VERLUST DER VERWENDUNG VON PRODUKTEN, UNTERBRECHUNG DER GESCHÄFTSTÄTIGKEIT ODER FÜR BESONDERE, FOLGESCHÄDEN, ZUFÄLLIGE, INDIRECTE, STRAF- ODER EXEMPLARISCHE SCHÄDEN. DIE GESAMTHAFTUNG VON BOLDER SURGICAL FÜR ALLE ANSPRÜCHE, DIE SICH AUS ODER IM ZUSAMMENHANG MIT DIESEM VERTRAG UND EINEM PRODUKT ERGEBEN, IST AUF ALLGEMEINE SCHADENSERSATZGELDER IN HÖHE VON HÖCHSTENS DEM GESAMTKAUFPREIS FÜR DAS PRODUKT, DAS ZU DEM ANSPRUCH FÜHRT, BESCHRÄNKT. Diese Beschränkungen und Ausschlüsse gelten unabhängig davon, ob ein Anspruch auf einem Vertrag, einer Garantie, Schadloshaltung, unerlaubter außervertraglicher Haftung (einschließlich Fahrlässigkeit), verschuldensunabhängiger Haftung oder etwas anderem beruht. Bolder Surgical übernimmt keine andere Haftung und ermächtigt keine andere Partei, eine Haftung für Bolder Surgical im Zusammenhang mit dem Verkauf oder der Verwendung von Produkten von Bolder Surgical zu übernehmen.

Diese Garantie und die Rechte und Pflichten aus diesem Vertrag unterliegen dem Recht des US-Bundesstaates Colorado und werden nach diesem Recht ausgelegt. Jede Klage oder jeder Prozess aus oder im Zusammenhang mit dieser Garantie wird ausschließlich bei den staatlichen oder bundesstaatlichen Gerichten in Boulder oder Denver, Colorado, USA, eingereicht, und das Recht, dem Gerichtsstand dieser Gerichte zu widersprechen, wird hiermit vom Kunden aufgegeben. Bolder Surgical, seine Händler und Vertretungen behalten sich das Recht vor, ihre Produkte zu ändern, zu modifizieren oder neu zu gestalten, ohne dass sie verpflichtet sind, zuvor von ihnen gebaute und/oder verkaufte Produkte zu modifizieren oder zu ersetzen.

Πίνακας περιεχομένων

Πρόλογος	118
Εξοπλισμός που καλύπτεται σε αυτό το εγχειρίδιο	118
Πληροφορίες σχετικά με τα διπλώματα ευρεσιτεχνίας	118
Αναγνωρίσεις εμπορικών σημάτων	118
Κατασκευάζεται από την:	118
Για πληροφορίες καλέστε.....	118
Συμβάσεις που χρησιμοποιούνται σε αυτόν τον οδηγό	118
Κεφάλαιο 1. Επισκόπηση και γενικά χαρακτηριστικά	119
Εισαγωγή	119
Ένδειξη χρήσης.....	119
Αντενδείξεις χρήσης	119
Μπροστινό πλαίσιο	120
Πίσω πλαίσιο	120
Κάτω όψη	121
Λίστα παρελκομένων.....	121
Συμβατά όργανα σφράγισης αγγείων	121
Κεφάλαιο 2. Ασφάλεια ασθενών και χειρουργείου.....	122
Προειδοποιήσεις και συστάσεις προσοχής	122
Επισκόπηση	122
Ασφάλεια ρύθμισης γεννήτριας.....	122
Ηλεκτρομαγνητική συμβατότητα	123
Κίνδυνος πυρκαγιάς κατά τη διάρκεια της στοματοφαρυγγικής χειρουργικής επέμβασης.....	123
Βηματοδότες και ICD	123
Σύνδεση οργάνου CoolSeal™	124
Καθαρισμός της γεννήτριας CoolSeal™	124
Συντήρηση της γεννήτριας CoolSeal™	124
Κεφάλαιο 3. Ρύθμιση και χρήση της γεννήτριας CoolSeal™	125
Αποσυσκευασία της γεννήτριας CoolSeal™	125
Επιθεώρηση της γεννήτριας CoolSeal™	125
Ασφάλεια ρύθμισης.....	125
Ρύθμιση της γεννήτριας CoolSeal™	126
Ρύθμιση της έντασης ήχου	127

Σύνδεση οργάνου CoolSeal™	127
Σύνδεση ενός οργάνου CoolSeal™ στη γεννήτρια CoolSeal™	127
Ενεργοποίηση ενός οργάνου CoolSeal™	127
Περιγραφές καταστάσεων ειδοποίησης.....	128
Κεφάλαιο 4. Μετά τη χειρουργική επέμβαση.....	131
Απενεργοποίηση της γεννήτριας CoolSeal™	131
Προετοιμασία της γεννήτριας CoolSeal™ για επαναχρησιμοποίηση	131
Κεφάλαιο 5. Αντιμετώπιση προβλημάτων	132
Γενικές οδηγίες αντιμετώπισης προβλημάτων.....	132
Διόρθωση δυσλειτουργιών	132
Μη φυσιολογική απόκριση ασθενούς:.....	132
Δυσλειτουργίες γεννήτριας CoolSeal™:.....	133
Πιθανές αλληλεπιδράσεις με άλλες συσκευές:.....	134
Κεφάλαιο 6. Περιοδικός έλεγχος λειτουργίας, συντήρηση και σέρβις	135
Ευθύνη του κατασκευαστή.....	135
Περιοδικός έλεγχος λειτουργίας και συντήρηση.....	135
Πότε πρέπει να πραγματοποιείται περιοδικός έλεγχος λειτουργίας;	135
Πότε πρέπει να αντικαθίσταται το καλώδιο ρεύματος;	135
Πότε πρέπει να αντικαθίστανται οι ασφάλειες;.....	135
Πώς μπορούν να αντικατασταθούν οι ασφάλειες;	135
Σέρβις προϊόντος	136
Επιστροφή της γεννήτριας CoolSeal™ για σέρβις.....	136
Αναβαθμίσεις λογισμικού.....	136
Κεφάλαιο 7. Τεχνικές προδιαγραφές	137
Χαρακτηριστικά απόδοσης.....	137
Γενικά	137
Διαστάσεις και βάρος	137
Παράμετροι λειτουργίας.....	137
Μεταφορά και αποθήκευση.....	137
Εσωτερική μνήμη.....	137
Τόνος ενεργοποίησης.....	138
Τόνοι ειδοποίησης.....	138
Ισχύς εισόδου	138
Προδιαγραφές καλωδίου ρεύματος.....	138

Τεχνικές προδιαγραφές	139
Συχνότητα εισόδου.....	139
Ρεύμα εισόδου.....	139
Εφεδρική ισχύς.....	139
Ισοδυναμική σύνδεση.....	139
Κύκλος λειτουργίας	139
Ρεύμα διαρροής χαμηλής συχνότητας (50/60 Hz)	139
Πρότυπα και ταξινομήσεις IEC.....	139
Σύμβολα	140
Ταξινομήσεις.....	141
Εξοπλισμός κατηγορίας I (IEC 60601-1)	141
Ηλεκτρομαγνητική συμβατότητα (IEC 60601-1-2)	141
Εξοπλισμός τύπου CF (IEC 60601-1)	141
Εισχώρηση/έκχυση υγρών IP XX (IEC 60601-1 και IEC 60601-2-2).....	141
Μεταβάσματα τάσης – Μεταφορά ηλεκτρικού δικτύου (IEC60601-1 και IEC 60601-2-2).....	141
Ηλεκτρομαγνητική συμβατότητα (IEC 60601-1-2 και IEC60601-2-2)	141
Χαρακτηριστικά εξόδου	141
Μέγιστη έξοδος για τη γεννήτρια CoolSeal™	141
Ηλεκτρομαγνητική ατρωσία	142
Παράρτημα Α – Περιοδικός έλεγχος λειτουργίας	146
Ορισμοί:.....	146
Απαιτούμενος εξοπλισμός:.....	146
Κριτήρια επιτυχίας/αποτυχίας:	146
Διαδικασία:	147
Φόρμα σύνοψης περιοδικού ελέγχου λειτουργίας	150
Εγγύηση.....	152

Πρόλογος

Το παρόν εγχειρίδιο και ο εξοπλισμός που περιγράφει προορίζονται για χρήση μόνο από εξειδικευμένους επαγγελματίες υγείας εκπαιδευμένους στη συγκεκριμένη τεχνική και χειρουργική επέμβαση που πρόκειται να πραγματοποιηθεί. Προορίζεται ως οδηγός για χρήση μόνο της γεννήτριας CoolSeal™.

Εξοπλισμός που καλύπτεται σε αυτό το εγχειρίδιο

Γεννήτρια CoolSeal™ – CSL-200-50

Πληροφορίες σχετικά με τα διπλώματα ευρεσιτεχνίας

<https://BolderSurgical.com/patents/>

Αναγνωρίσεις εμπορικών σημάτων

Γεννήτρια CoolSeal™

Κατασκευάζεται από την:



Bolder Surgical
331 S. 104th Street, Suite 200
Louisville, CO 80027 Η.Π.Α.
Κατασκευάζεται στις Η.Π.Α.
Τηλ.: +1866.683.1743
www.BolderSurgical.com

Εξουσιοδοτημένος αντιπρόσωπος:



Emergo Europe B.V.
Prinsessegracht 20
2514 AP The Hague
Κάτω Χώρες

Για πληροφορίες καλέστε

+1866.683.1743

Συμβάσεις που χρησιμοποιούνται σε αυτόν τον οδηγό

Προειδοποίηση

Υποδεικνύει μια δυνητικά επικίνδυνη κατάσταση η οποία, εάν δεν αποφευχθεί, θα μπορούσε να οδηγήσει σε θάνατο ή σοβαρό τραυματισμό

Προσοχή

Υποδεικνύει μια δυνητικά επικίνδυνη κατάσταση η οποία, εάν δεν αποφευχθεί, μπορεί να έχει ως αποτέλεσμα μικρό ή μέτριο τραυματισμό

Ειδοποίηση

Υποδεικνύει κίνδυνο που μπορεί να προκαλέσει ζημιά στο προϊόν.

Σημαντικό

Υποδεικνύει μια συμβουλή για τη λειτουργία ή μια πρόταση συντήρησης.

Κεφάλαιο 1. Επισκόπηση και γενικά χαρακτηριστικά

Αυτή η ενότητα περιλαμβάνει τις ακόλουθες πληροφορίες:

- Εισαγωγή
- Ενδείξεις χρήσης
- Αντενδείξεις χρήσης
- Μπροστινό πλαίσιο
- Πίσω πλαίσιο
- Κάτω όψη
- Λίστα παρελκομένων
- Συμβατά όργανα σφράγισης αγγείων

Προσοχή

Διαβάστε όλες τις προειδοποιήσεις, τις συστάσεις προσοχής και τις οδηγίες που παρέχονται με αυτήν τη γεννήτρια πριν από τη χρήση. Στο παρόν εγχειρίδιο δεν περιλαμβάνονται ειδικές οδηγίες για τα όργανα CoolSeal™. Ανατρέξτε στις οδηγίες χρήσης του οργάνου CoolSeal™ για προειδοποιήσεις, συστάσεις προσοχής και οδηγίες χρήσης.

Η ομοσπονδιακή νομοθεσία (των Η.Π.Α.) περιορίζει την πώληση αυτού του τεχνολογικού προϊόντος μόνον σε ιατρό ή κατόπιν εντολής ιατρού.

Εισαγωγή

Η γεννήτρια CoolSeal™ παρέχει ενέργεια ραδιοσυχνότητας (RF) για εφαρμογές σφράγισης αγγείων.

Η γεννήτρια CoolSeal™ ανιχνεύει αυτόματα κωδικοποιημένα όργανα και διαμορφώνει ανάλογα τη γεννήτρια CoolSeal™.

Η ασφάλεια και η διαγνωστική λειτουργικότητα περιλαμβάνουν αυτόματες λειτουργίες ασφαλείας.

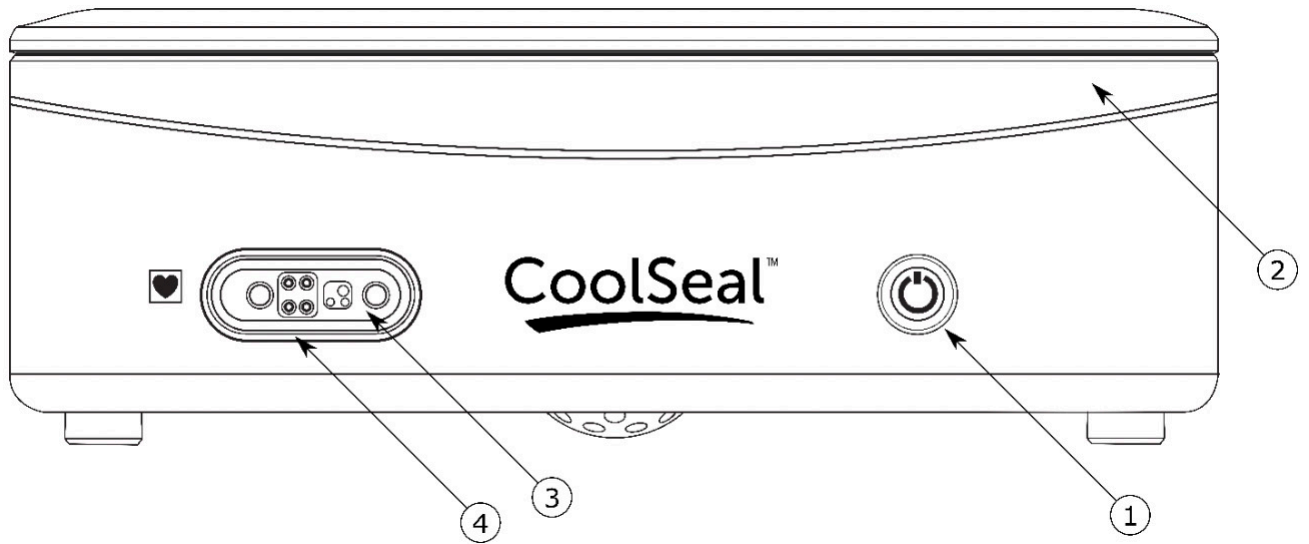
Ένδειξη χρήσης

Η γεννήτρια CoolSeal™ προορίζεται για την παροχή ενέργειας ραδιοσυχνότητας (RF) σε συμβατά όργανα CoolSeal™ για εφαρμογές σφράγισης αγγείων. Η συγκεκριμένη εφαρμογή θα εξαρτηθεί από το συμβατό χειρουργικό τεχνολογικό προϊόν που είναι συνδεδεμένο στη γεννήτρια. Αυτή η γεννήτρια έχει σχεδιαστεί για χρήση μόνο με χειρουργικά τεχνολογικά προϊόντα συμβατά με την τεχνολογία CoolSeal™.

Αντενδείξεις χρήσης

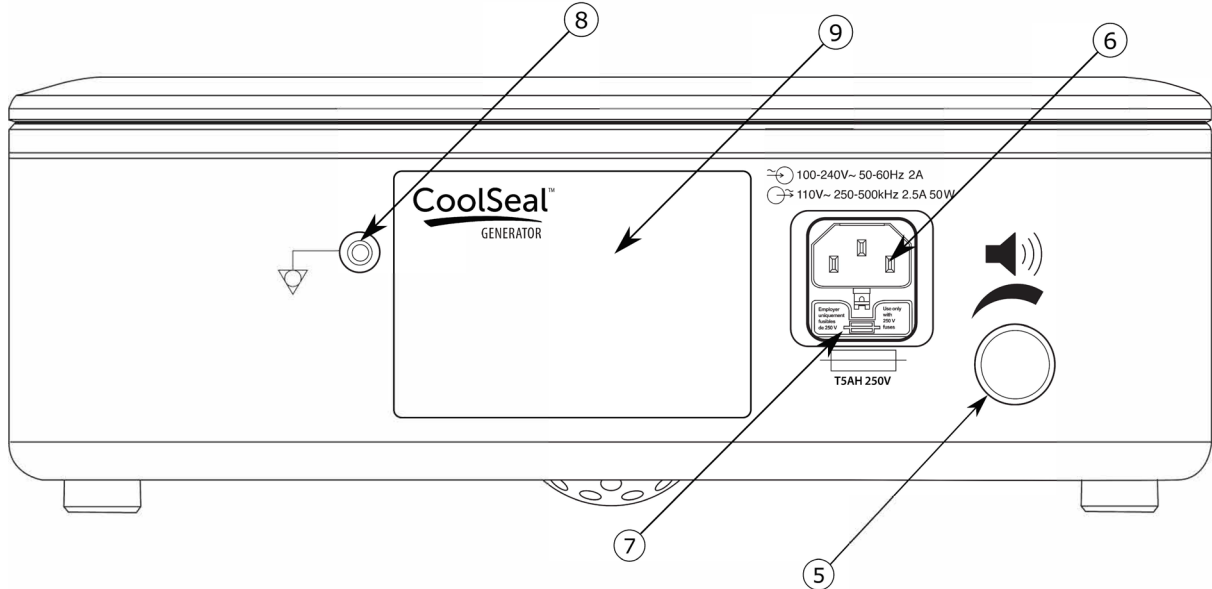
Καμία γνωστή ειδικά για τη γεννήτρια CoolSeal™.

Μπροστινό πλαίσιο



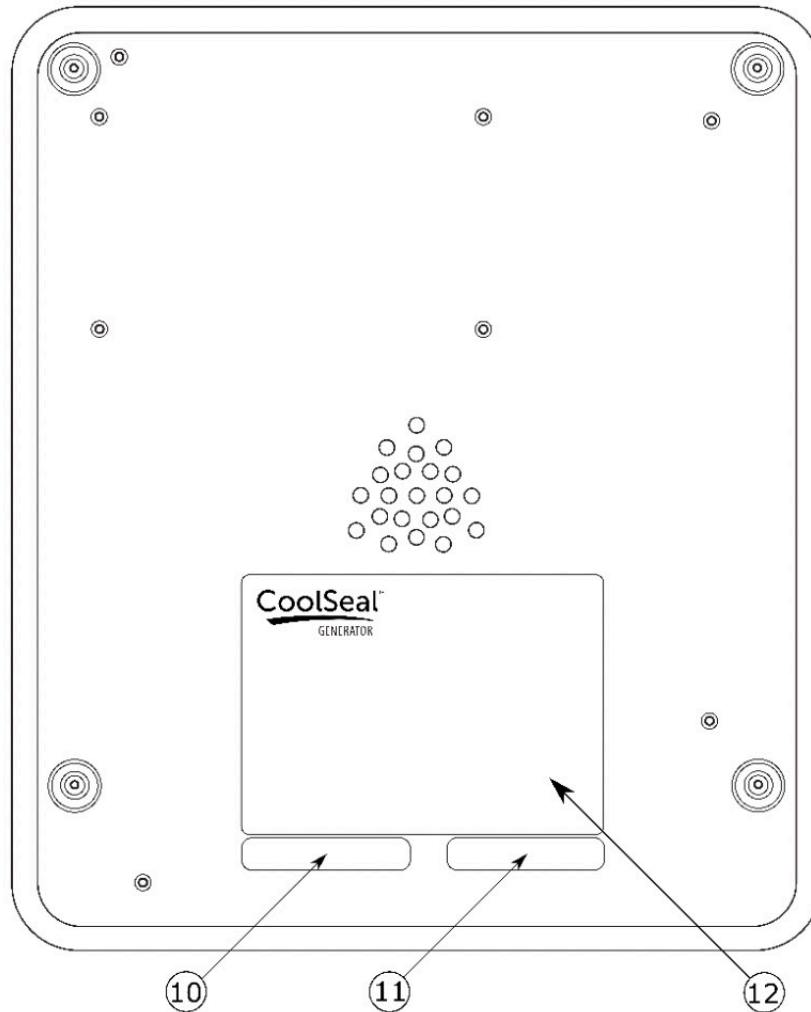
- (1) Φωτιζόμενο κουμπί λειτουργίας
- (2) Οθόνη ενεργοποίησης
- (3) Υποδοχή οργάνου CoolSeal™
- (4) Οθόνη υποδοχής οργάνου

Πίσω πλαίσιο



- (5) Χειριστήριο ρύθμισης έντασης ήχου
- (6) Είσοδος καλωδίου ρεύματος
- (7) Συρτάρι ασφαλειών
- (8) Ισοδυναμικός σύνδεσμος
- (9) Ετικέτα προειδοποιήσεων και προφυλάξεων ασφαλείας

Κάτω όψη



- (10) Ετικέτα ημερομηνίας τελευταίου ελέγχου
- (11) Ετικέτα έκδοσης λογισμικού
- (12) Ετικέτα πληροφοριών κατασκευής

Λίστα παρελκομένων

Καλώδιο ρεύματος - ειδικό για τις Η.Π.Α.
Καλώδιο ελέγχου λειτουργίας CSL-FTC (δεν περιλαμβάνεται)

Συμβατά όργανα σφράγισης αγγείων

Τα συμβατά όργανα CoolSeal™ θα έχουν συνδέσμους που ταιριάζουν με την παρακάτω εικόνα.
Ανατρέξτε στις οδηγίες χρήσης του οργάνου CoolSeal™ για τη συμβατότητα με την τεχνολογία CoolSeal™.



Κεφάλαιο 2. Ασφάλεια ασθενών και χειρουργείου

Η ασφαλής και αποτελεσματική χρήση της ηλεκτροχειρουργικής εξαρτάται, σε μεγάλο βαθμό, από παράγοντες αποκλειστικά υπό τον έλεγχο του χειριστή. Δεν υπάρχει υποκατάστατο για μια κατάλληλα εκπαιδευμένη και σε επαγρύπνηση χειρουργική ομάδα. Είναι σημαντικό να διαβάσετε, να κατανοήσετε και να ακολουθήσετε τις οδηγίες λειτουργίας που παρέχονται με αυτόν ή με οποιονδήποτε ηλεκτροχειρουργικό εξοπλισμό. Η ηλεκτροχειρουργική έχει χρησιμοποιηθεί με ασφάλεια σε πολλές επεμβάσεις. Πριν από την έναρξη οποιασδήποτε χειρουργικής επέμβασης, ο χειρουργός θα πρέπει να είναι εκπαιδευμένος στη συγκεκριμένη τεχνική και τη χειρουργική επέμβαση που πρόκειται να πραγματοποιηθεί, θα πρέπει να είναι εξοικειωμένος με την ιατρική βιβλιογραφία που σχετίζεται με την επέμβαση και τις πιθανές επιπλοκές και θα πρέπει να είναι εξοικειωμένος με τους κινδύνους έναντι των οφελών της χρήσης ηλεκτροχειρουργικής στην επέμβαση.

Για την προαγωγή της ασφαλούς χρήσης της γεννήτριας CoolSeal™, αυτή η ενότητα παρουσιάζει τις προειδοποιήσεις και τις συστάσεις προσοχής που εμφανίζονται σε ολόκληρο τον οδηγό χρήσης. Είναι επίσης σημαντικό να διαβάσετε, να κατανοήσετε και να ακολουθήσετε τις οδηγίες χρήσης στις οδηγίες χρήσης του οργάνου CoolSeal™.

Προειδοποιήσεις και συστάσεις προσοχής

Επισκόπηση

Προσοχή
Διαβάστε όλες τις προειδοποιήσεις, τις συστάσεις προσοχής και τις οδηγίες που παρέχονται με αυτήν τη γεννήτρια πριν από τη χρήση. Στο παρόν εγχειρίδιο δεν περιλαμβάνονται ειδικές οδηγίες για τα όργανα CoolSeal™. Ανατρέξτε στις οδηγίες χρήσης του οργάνου CoolSeal™ για προειδοποιήσεις, συστάσεις προσοχής και οδηγίες χρήσης.
Η ομοσπονδιακή νομοθεσία (των Η.Π.Α.) περιορίζει την πώληση αυτού του τεχνολογικού προϊόντος μόνον σε ιατρό ή κατόπιν εντολής ιατρού.

Ασφάλεια ρύθμισης γεννήτριας

Προειδοποίηση
Κίνδυνος ηλεκτροπληξίας: Συνδέστε το καλώδιο ρεύματος του συστήματος σε κατάλληλα γειωμένη πρίζα. Μη χρησιμοποιείτε προσαρμογείς βύσματος τροφοδοσίας.
Κίνδυνος πυρκαγιάς: Μη χρησιμοποιείτε καλώδια προέκτασης ή πολύπριζα.
Ασφάλεια ασθενών: Χρησιμοποιείτε τη γεννήτρια CoolSeal™ μόνο εάν η εσωτερική δοκιμή κατά την ενεργοποίηση έχει ολοκληρωθεί όπως περιγράφεται στο παρόν εγχειρίδιο, διαφορετικά ενδέχεται να προκύψουν ανακριβείς έξοδοι ισχύος.
Αυτός ο εξοπλισμός προορίζεται για χρήση μόνο από εκπαιδευμένους, διπλωματούχους ιατρούς. Η χρήση αυτού του εξοπλισμού χωρίς τέτοια εκπαίδευση μπορεί να προκαλέσει σοβαρό τραυματισμό του ασθενούς.
Η γεννήτρια CoolSeal™ είναι συμβατή μόνο με τα όργανα CoolSeal™. Δεν μπορούν να χρησιμοποιηθούν άλλα διπολικά όργανα.
Μην τυλίγετε τα καλώδια του οργάνου γύρω από μεταλλικά αντικείμενα. Αυτό μπορεί να προκαλέσει παρασιτικά ρεύματα που θα μπορούσαν να οδηγήσουν σε ηλεκτροπληξία, πυρκαγιά ή τραυματισμό του ασθενούς ή της χειρουργικής ομάδας.
Κίνδυνος ηλεκτροπληξίας: Μη συνδέετε υγρούς συνδέσμους οργάνου στη γεννήτρια CoolSeal™. Βεβαιωθείτε ότι όλα τα όργανα και οι προσαρμογείς είναι σωστά συνδεδεμένα.
Επιθεωρείτε το καλώδιο του εξοπλισμού για τυχόν σπασίματα, ρωγμές, χαραγές και άλλες ζημιές πριν από κάθε χρήση. Εάν έχει υποστεί ζημιά, μη χρησιμοποιείτε το προϊόν. Τα καλώδια του εξοπλισμού που έχουν υποστεί ζημιά μπορεί να προκαλέσουν τραυματισμό ή ηλεκτροπληξία στον ασθενή ή στη χειρουργική ομάδα.

Προσοχή

Ρυθμίστε το πλήκτρο ελέγχου έντασης ήχου του συστήματος σε επίπεδο που να διασφαλίζει ότι οι ήχοι ενεργοποίησης μπορούν να ακουστούν.

Μην γυρίζετε τον ήχο ενεργοποίησης προς τα κάτω σε μη ακουστό επίπεδο. Ο ήχος ενεργοποίησης ειδοποιεί τη χειρουργική ομάδα όταν η γεννήτρια CoolSeal™ χορηγεί ενέργεια ραδιοσυχνότητας.

Εξετάστε όλα τα όργανα και τις συνδέσεις στο σύστημα πριν από τη χρήση. Βεβαιωθείτε ότι τα όργανα λειτουργούν όπως προβλέπεται. Η εσφαλμένη σύνδεση μπορεί να προκαλέσει τόξα, σπινθήρες, δυσλειτουργία του οργάνου ή ακούσιες χειρουργικές επιδράσεις.

Μια μη λειτουργική γεννήτρια CoolSeal™ μπορεί να προκαλέσει διακοπή της χειρουργικής επέμβασης. Θα πρέπει να υπάρχει διαθέσιμο σύστημα δημιουργίας αντιγράφων ασφαλείας για χρήση.

Η χρήση συζευκτών συσκευών, π.χ., καλώδια ρεύματος, εκτός από αυτούς που καθορίζονται, μπορεί να προκαλέσει αυξημένες εκπομπές ή μειωμένη ατρωσία του εξοπλισμού.

Παρέχετε όσο το δυνατόν μεγαλύτερη απόσταση μεταξύ της γεννήτριας CoolSeal™ και άλλου ηλεκτρονικού εξοπλισμού, όπως συσκευές παρακολούθησης. Μην διασταυρώνετε και μην συσκευάζετε καλώδια ηλεκτρονικών συσκευών. Αυτή η γεννήτρια μπορεί να προκαλέσει παρεμβολές σε άλλον ηλεκτρονικό εξοπλισμό. Εάν παρουσιαστούν παρεμβολές, αλλάξτε θέση στον εξοπλισμό.

Μελέτες έχουν δείξει ότι ο καπνός που παράγεται κατά τη διάρκεια ηλεκτροχειρουργικών επεμβάσεων μπορεί να είναι δυνητικά επιβλαβής για τους ασθενείς και τη χειρουργική ομάδα. Αυτές οι μελέτες συνιστούν τον επαρκή αερισμό του καπνού με τη χρήση χειρουργικού εκκενωτή καπνού ή άλλα μέσα.¹

1. U.S. Department of Health and Human Services. National Institute for Occupational Safety and Health (NIOSH). Control of Smoke from Laser/Electric Surgical Procedures. HAZARD CONTROLS, Publication No. 96-128, September 1996.

Ηλεκτρομαγνητική συμβατότητα

Προειδοποίηση

Η χρήση αυτού του εξοπλισμού δίπλα ή σε στοίβαξη με άλλον εξοπλισμό θα πρέπει να αποφεύγεται, επειδή θα μπορούσε να οδηγήσει σε ακατάλληλη λειτουργία. Εάν αυτή η χρήση είναι απαραίτητη, ο εξοπλισμός αυτός και ο άλλος εξοπλισμός θα πρέπει να παρακολουθούνται ώστε να επιβεβαιώνεται ότι λειτουργούν κανονικά.

Ο φορητός εξοπλισμός επικοινωνίας με ραδιοσυχνότητες δεν θα πρέπει να χρησιμοποιείται σε απόσταση μικρότερη από 30 cm (12 ίντσες) από οποιοδήποτε τμήμα της γεννήτριας CoolSeal™, συμπεριλαμβανομένων των καλωδίων που καθορίζονται από την Bolder Surgical. Διαφορετικά, θα μπορούσε να προκληθεί υποβάθμιση της απόδοσης αυτού του εξοπλισμού.

Κίνδυνος πυρκαγιάς κατά τη διάρκεια της στοματοφαρυγγικής χειρουργικής επέμβασης

Προειδοποίηση

Βεβαιωθείτε ότι οι ενδοτραχειακοί σωλήνες δεν παρουσιάζουν διαρροές και ότι ο αεροθάλαμος σφραγίζεται σωστά για να αποτραπεί τυχόν διαρροή οξυγόνου.

Βηματοδότες και ICD

Προειδοποίηση

ΜΗ ΧΡΗΣΙΜΟΠΟΙΕΙΤΕ σε ασθενείς που έχουν ηλεκτρονικά εμφυτεύματα, όπως καρδιακούς βηματοδότες, χωρίς να συμβουλευτείτε πρώτα έναν ειδικευμένο επαγγελματία (π.χ., καρδιολόγο). Υπάρχει πιθανός κίνδυνος επειδή μπορεί να προκληθεί παρεμβολή στη δράση του ηλεκτρονικού εμφυτεύματος ή να προκληθεί ζημιά στο εμφύτευμα.

Σύνδεση οργάνου CoolSeal™

Προειδοποίηση

Κίνδυνος ηλεκτροπληξίας

- Μη συνδέετε υγρά όργανα στη γεννήτρια CoolSeal™
- Βεβαιωθείτε ότι όλα τα όργανα είναι σωστά συνδεδεμένα και ότι δεν υπάρχει εκτεθειμένο μέταλλο σε οποιοδήποτε σημείο σύνδεσης

Τοποθετήστε σωστά το όργανο στην υποδοχή. Η εσφαλμένη σύνδεση μπορεί να προκαλέσει ακούσια ενεργοποίηση του οργάνου ή άλλες δυνητικά επικίνδυνες καταστάσεις. Ακολουθήστε τις οδηγίες που παρέχονται με τα όργανα σφράγισης αγγείων CoolSeal™.

Η υποδοχή οργάνου σε αυτό το σύστημα έχει σχεδιαστεί για να δέχεται μόνο ένα όργανο κάθε φορά. Μην επιχειρήσετε να συνδέσετε περισσότερα από ένα όργανα κάθε φορά σε μια δεδομένη υποδοχή. Κάτι τέτοιο θα προκαλέσει ταυτόχρονη ενεργοποίηση των οργάνων.

Προσοχή

Επιθεωρείτε τα όργανα και τα καλώδια για τυχόν θραύσεις, ρωγμές, εγκοπές και άλλες ζημιές πριν από κάθε χρήση. Εάν έχει υποστεί ζημιά, μη χρησιμοποιείτε το προϊόν. Εργαλεία ή καλώδια που έχουν υποστεί ζημιά μπορεί να προκαλέσουν τραυματισμό ή ηλεκτροπληξία στον ασθενή ή στη χειρουργική ομάδα.

Καθαρισμός της γεννήτριας CoolSeal™

Προειδοποίηση

Κίνδυνος ηλεκτροπληξίας

Απενεργοποιείτε και αποσυνδέετε πάντα τη γεννήτρια CoolSeal™ πριν από τον καθαρισμό.

Συντήρηση της γεννήτριας CoolSeal™

Προειδοποίηση

Κίνδυνος ηλεκτροπληξίας

Μην αφαιρείτε το κάλυμμα της γεννήτριας CoolSeal™.

Μην επιχειρήσετε να κάνετε σέρβις στη γεννήτρια CoolSeal™. Όλες οι εργασίες σέρβις και επισκευής πρέπει να πραγματοποιούνται από τεχνικό της Bolder Surgical™.

Προσοχή

Η γεννήτρια CoolSeal™ δεν πρέπει να απορρίπτεται στο τέλος της διάρκειας ζωής της μαζί με άλλα απόβλητα. Για την ανακύκλωση του εξοπλισμού αποβλήτων, λάβετε οδηγίες από την Bolder Surgical (τηλ. +1866.683.1743) ή επικοινωνήστε με τον τοπικό αντιπρόσωπο πωλήσεων για να συζητήσετε τις τοπικές λύσεις και διαδικασίες απόρριψης αποβλήτων. Η γεννήτρια CoolSeal™ ενέχει κινδύνους απόρριψης παρόμοιους με τα ηλεκτρονικά καταναλωτικά είδη, όπως υπολογιστές. Δεν υπάρχουν ραδιενεργές ουσίες, μπαταρίες ή επικίνδυνα υγρά που μπορεί να διαρρεύσουν στη γεννήτρια CoolSeal™.

Κεφάλαιο 3. Ρύθμιση και χρήση της γεννήτριας CoolSeal™

Αυτό το κεφάλαιο καλύπτει τα ακόλουθα θέματα:

- Αποσυσκευασία της γεννήτριας CoolSeal™
- Επιθεώρηση της γεννήτριας CoolSeal™
- Ασφάλεια ρύθμισης
- Ρύθμιση της γεννήτριας CoolSeal™
- Ρύθμιση της έντασης των ηχητικών σημάτων ενεργοποίησης
- Σύνδεση οργάνου CoolSeal™
- Ενεργοποίηση ενός οργάνου CoolSeal™
- Περιγραφές καταστάσεων ειδοποίησης

Προσοχή

Διαβάστε όλες τις προειδοποιήσεις, τις συστάσεις προσοχής και τις οδηγίες που παρέχονται με αυτήν τη γεννήτρια πριν από τη χρήση. Στο παρόν εγχειρίδιο δεν περιλαμβάνονται ειδικές οδηγίες για τα όργανα CoolSeal™. Ανατρέξτε στις οδηγίες χρήσης του οργάνου CoolSeal™ για προειδοποιήσεις, συστάσεις προσοχής και οδηγίες χρήσης.

Αποσυσκευασία της γεννήτριας CoolSeal™

1. Αφαιρέστε τη γεννήτρια CoolSeal™ από το κιβώτιο αποστολής και το υλικό συσκευασίας.
2. Επιθεωρήστε τη συσκευή για ορατή ζημιά.

Επιθεώρηση της γεννήτριας CoolSeal™

Πριν από κάθε χρήση της γεννήτριας CoolSeal™, βεβαιωθείτε ότι η μονάδα και όλα τα παρελκόμενα είναι σε καλή κατάσταση λειτουργίας:

- Επιθεωρήστε για τυχόν ζημιά στη γεννήτρια και όλες τις συνδέσεις της.
- Επιθεωρήστε όλα τα καλώδια και τους συνδέσμους για τυχόν ενδείξεις φθοράς, ζημιάς και τριβής.
- Βεβαιωθείτε ότι δεν προκύπτουν σφάλματα κατά την ενεργοποίηση της μονάδας.

Ασφάλεια ρύθμισης

Προειδοποίηση

Κίνδυνος ηλεκτροπληξίας: Συνδέστε το καλώδιο ρεύματος του συστήματος σε κατάλληλα γειωμένη πρίζα. Μη χρησιμοποιείτε προσαρμογείς βύσματος τροφοδοσίας.

Κίνδυνος πυρκαγιάς: Μη χρησιμοποιείτε καλώδια προέκτασης ή πολύπριζα.

Ασφάλεια ασθενών: Χρησιμοποιείτε τη γεννήτρια CoolSeal™ μόνο εάν η εσωτερική δοκιμή κατά την ενεργοποίηση έχει ολοκληρωθεί όπως περιγράφεται στο παρόν εγχειρίδιο, διαφορετικά ενδέχεται να προκύψουν ανακριβείς έξοδοι ισχύος.

Αυτός ο εξοπλισμός προορίζεται για χρήση μόνο από εκπαιδευμένους, διπλωματούχους ιατρούς. Η χρήση αυτού του εξοπλισμού χωρίς τέτοια εκπαίδευση μπορεί να προκαλέσει σοβαρό τραυματισμό του ασθενούς.

Η γεννήτρια CoolSeal™ είναι συμβατή μόνο με τα όργανα CoolSeal™. Δεν μπορούν να χρησιμοποιηθούν άλλα διπολικά όργανα.

Μην τυλίγετε τα καλώδια του οργάνου γύρω από μεταλλικά αντικείμενα. Αυτό μπορεί να προκαλέσει παρασιτικά ρεύματα που θα μπορούσαν να οδηγήσουν σε ηλεκτροπληξία, πυρκαγιά ή τραυματισμό του ασθενούς ή της χειρουργικής ομάδας.

Κίνδυνος ηλεκτροπληξίας: Μη συνδέετε υγρούς συνδέσμους οργάνου στη γεννήτρια CoolSeal™. Βεβαιωθείτε ότι όλα τα όργανα και οι προσαρμογείς είναι σωστά συνδεδεμένα.

Επιθεωρείτε το καλώδιο του εξοπλισμού για τυχόν σπασίματα, ρωγμές, χαραγές και άλλες ζημιές πριν από κάθε χρήση. Εάν έχει υποστεί ζημιά, μη χρησιμοποιείτε το προϊόν. Τα καλώδια του εξοπλισμού που έχουν υποστεί ζημιά μπορεί να προκαλέσουν τραυματισμό ή ηλεκτροπληξία στον ασθενή ή στη χειρουργική ομάδα.

Προσοχή

Ρυθμίστε το πλήκτρο ελέγχου έντασης ήχου του συστήματος σε επίπεδο που να διασφαλίζει ότι οι ήχοι ενεργοποίησης μπορούν να ακουστούν.

Μην γυρίζετε τον ήχο ενεργοποίησης προς τα κάτω σε μη ακουστό επίπεδο. Ο ήχος ενεργοποίησης ειδοποιεί τη χειρουργική ομάδα όταν η γεννήτρια CoolSeal™ χορηγεί ενέργεια ραδιοσυχνότητας.

Εξετάστε όλα τα όργανα και τις συνδέσεις στο σύστημα πριν από τη χρήση. Βεβαιωθείτε ότι τα όργανα λειτουργούν όπως προβλέπεται. Η εσφαλμένη σύνδεση μπορεί να προκαλέσει τόξα, σπινθήρες, δυσλειτουργία του οργάνου ή ακούσιες χειρουργικές επιδράσεις.

Μια μη λειτουργική γεννήτρια CoolSeal™ μπορεί να προκαλέσει διακοπή της χειρουργικής επέμβασης. Θα πρέπει να υπάρχει διαθέσιμο σύστημα δημιουργίας αντιγράφων ασφαλείας για χρήση.

Η χρήση συζευκτών συσκευών, π.χ., καλώδια ρεύματος, εκτός από αυτούς που καθορίζονται, μπορεί να προκαλέσει αυξημένες εκπομπές ή μειωμένη ατρωσία του εξοπλισμού.

Παρέχετε όσο το δυνατόν μεγαλύτερη απόσταση μεταξύ της γεννήτριας CoolSeal™ και άλλου ηλεκτρονικού εξοπλισμού, όπως συσκευές παρακολούθησης. Μην διασταυρώνετε και μην συσκευάζετε καλώδια ηλεκτρονικών συσκευών. Αυτή η γεννήτρια μπορεί να προκαλέσει παρεμβολές σε άλλον ηλεκτρονικό εξοπλισμό. Εάν παρουσιαστούν παρεμβολές, αλλάξτε θέση στον εξοπλισμό.

Μελέτες έχουν δείξει ότι ο καπνός που παράγεται κατά τη διάρκεια ηλεκτροχειρουργικών επεμβάσεων μπορεί να είναι δυνητικά επιβλαβής για τους ασθενείς και τη χειρουργική ομάδα. Αυτές οι μελέτες συνιστούν τον επαρκή αερισμό του καπνού με τη χρήση χειρουργικού εκκενωτή καπνού ή άλλα μέσα.¹

1. U.S. Department of Health and Human Services. National Institute for Occupational Safety and Health (NIOSH). Control of Smoke from Laser/Electric Surgical Procedures. HAZARD CONTROLS, Publication No. 96-128, September 1996.

Ρύθμιση της γεννήτριας CoolSeal™

1. Τοποθετήστε τη γεννήτρια CoolSeal™ σε επίπεδη, σταθερή επιφάνεια, όπως τραπέζι, πλατφόρμα, σύστημα μπούμας ή τροχήλατο. Συνιστώνται τροχήλατα με μη αγώγιμους τροχούς. Ανατρέξτε στις διαδικασίες για το τοπικό σας ίδρυμα ή τους τοπικούς σας κώδικες.
2. Εάν απαιτείται από το ίδρυμα ή τους τοπικούς κώδικες, συνδέστε τον ισοδυναμικό σύνδεσμο σε μια πηγή γείωσης.
3. Συνδέστε το καλώδιο ρεύματος του συστήματος στην είσοδο ηλεκτρικού ρεύματος στο πίσω πλαίσιο.
4. Συνδέστε το καλώδιο ρεύματος του συστήματος σε γειωμένη πρίζα AC.

Ειδοποίηση

Μη συνδέετε τη γεννήτρια CoolSeal™ σε πολύπριζο ή καλώδιο επέκτασης.

Μην τοποθετείτε το τεχνολογικό προϊόν με τέτοιο τρόπο ώστε να είναι δύσκολη η αποσύνδεση του καλωδίου ρεύματος.

Σημαντικό

Σε περίπτωση μεταφοράς ή αποθήκευσης σε θερμοκρασίες εκτός του εύρους θερμοκρασιών λειτουργίας, αφήστε να περάσει μία ώρα για να φτάσει η γεννήτρια CoolSeal™ σε θερμοκρασία λειτουργίας πριν από τη χρήση.

Ενεργοποιήστε το σύστημα πατώντας το κουμπί αναμονής ισχύος (⏻) στην πρόσοψη της μονάδας. Κατά τη διάρκεια της εσωτερικής δοκιμής κατά την ενεργοποίηση, τηρείτε τα ακόλουθα:

- Η μονάδα εκτελεί εσωτερική δοκιμή κατά την εκκίνηση.
- Το κουμπί λειτουργίας ανάβει με πράσινο χρώμα.
- Μετά την επιτυχή ολοκλήρωση της εσωτερικής δοκιμής ακούγεται ένας ήχος ειδοποίησης τριών (3) τόνων 1/2 δευτερολέπτου.

Ειδοποίηση

Επαληθεύστε ότι το σύστημα έχει ολοκληρώσει με επιτυχία την εσωτερική δοκιμή κατά την εκκίνηση πριν από τη σύνδεση των οργάνων.

Εάν η μονάδα αποτύχει στην εσωτερική δοκιμή κατά την εκκίνηση:

- Το κουμπί λειτουργίας δεν ανάβει ή ανάβει με κόκκινο χρώμα
- Μετά μια αποτυχημένη εσωτερική δοκιμή ακούγεται ένας ήχος ειδοποίησης ενός (1) τόνου 1/2 δευτερολέπτου

Ανατρέξτε στις ενότητες Συνθήκες ειδοποίησης ή Αντιμετώπιση προβλημάτων για πρόσθετες πληροφορίες

Ρύθμιση της έντασης ήχου

Η ένταση ήχου των ηχητικών σημάτων ειδοποίησης και ενεργοποιήσεων μπορεί να ρυθμιστεί περιστρέφοντας το κουμπί έντασης ήχου στο πίσω πλαίσιο της γεννήτριας CoolSeal™.

Ειδοποίηση

Η ελάχιστη ένταση ήχου για τους ήχους ειδοποίησης θα είναι πάντα πιο δυνατά από τον τόνο ενεργοποίησης.

Σύνδεση οργάνου CoolSeal™

Προειδοποίηση

Κίνδυνος ηλεκτροπληξίας

- Μη συνδέετε υγρά όργανα στη γεννήτρια CoolSeal™.
- Βεβαιωθείτε ότι όλα τα όργανα είναι σωστά συνδεδεμένα και ότι δεν υπάρχει εκτεθειμένο μέταλλο σε οποιοδήποτε σημείο σύνδεσης.

Τοποθετήστε σωστά το όργανο στην υποδοχή. Η εσφαλμένη σύνδεση μπορεί να προκαλέσει ακούσια ενεργοποίηση του οργάνου ή άλλες δυνητικά επικίνδυνες καταστάσεις. Ακολουθήστε τις οδηγίες που παρέχονται με τα όργανα CoolSeal™ για τη σωστή σύνδεση και χρήση.

Η υποδοχή οργάνου σε αυτό το σύστημα έχει σχεδιαστεί για να δέχεται μόνο ένα όργανο κάθε φορά. Μην επιχειρήσετε να συνδέσετε περισσότερα από ένα όργανα κάθε φορά σε μια δεδομένη υποδοχή. Κάτι τέτοιο θα προκαλέσει ταυτόχρονη ενεργοποίηση των οργάνων.

Προσοχή

Επιθεωρείτε τα όργανα και τα καλώδια για τυχόν θραύσεις, ρωγμές, εγκοπές και άλλες ζημιές πριν από κάθε χρήση. Εάν έχει υποστεί ζημιά, μη χρησιμοποιείτε το προϊόν. Εργαλεία ή καλώδια που έχουν υποστεί ζημιά μπορεί να προκαλέσουν τραυματισμό ή ηλεκτροπληξία στον ασθενή ή στη χειρουργική ομάδα.

Σύνδεση ενός οργάνου CoolSeal™ στη γεννήτρια CoolSeal™

1. Συνδέστε ένα όργανο CoolSeal™ στην υποδοχή οργάνου στο μπροστινό πλαίσιο της γεννήτριας CoolSeal™.
2. Επιβεβαιώστε τη σωστή τοποθέτηση και σύνδεση παρατηρώντας την πράσινη φωτεινή οθόνη της υποδοχής του οργάνου.

Εάν η γεννήτρια CoolSeal™ δεν αναγνωρίζει το συνδεδεμένο όργανο, η οθόνη της υποδοχής του οργάνου θα φωτιστεί με κόκκινο χρώμα ή δεν θα φωτιστεί και θα ακουστεί ένας ήχος ειδοποίησης. Ανατρέξτε στις ενότητες Συνθήκες ειδοποίησης ή Αντιμετώπιση προβλημάτων.

Ενεργοποίηση ενός οργάνου CoolSeal™

1. Ενεργοποιήστε το όργανο CoolSeal™ σύμφωνα με τις οδηγίες χρήσης του οργάνου.
2. Παρατηρήστε τα ακόλουθα κατά την ενεργοποίηση του οργάνου:
 - Η οθόνη ενεργοποίησης ανάβει με μπλε χρώμα και διαφέρει στη φωτεινότητα κατά τη διάρκεια της χορήγησης ενέργειας.
 - Ένας τόνος ενεργοποίησης ηχεί συνεχώς κατά τη διάρκεια της χορήγησης ενέργειας.
3. Όταν ολοκληρωθεί ο κύκλος σφράγισης, παρατηρήστε τα εξής:
 - Μόλις ολοκληρωθεί η σφράγιση, θα ακουστεί μια ακολουθία τριών τόνων. Το κουμπί ενεργοποίησης θα πρέπει τότε να απελευθερωθεί.
 - Η οθόνη ενεργοποίησης στο μπροστινό πλαίσιο της γεννήτριας CoolSeal™ θα φωτιστεί στιγμιαία με μπλε χρώμα.
 - Στη συνέχεια, η οθόνη ενεργοποίησης σβήνει.

Σε περίπτωση κατάστασης ειδοποίησης, ανατρέξτε στις ενότητες Καταστάσεις ειδοποίησης ή Αντιμετώπιση προβλημάτων.

Περιγραφές καταστάσεων ειδοποίησης

Όταν προκύπτει μια κατάσταση ειδοποίησης:

- Θα ακουστεί ένας ήχος ειδοποίησης
- Μία από τις οθόνες στη γεννήτρια CoolSeal™ θα εμφανίσει μπλε, πορτοκαλί ή κόκκινο χρώμα
- Η παροχή ενέργειας θα διακοπεί

Η ενέργεια θα είναι διαθέσιμη μετά την αποκατάσταση της κατάστασης ειδοποίησης. Ανατρέξτε στον παρακάτω πίνακα για να επιλύσετε τις καταστάσεις ειδοποίησης:

Κατάσταση ειδοποίησης:	Υποδεικνύεται από:	Αιτίες:	Για επίλυση:
Η σφράγιση ολοκληρώθηκε	<ul style="list-style-type: none"> • Ειδοποίηση τριών διαδοχικών τόνων • Η παροχή ενέργειας ραδιοσυχνότητας σταματά • Η οθόνη ενεργοποίησης φωτίζεται με μπλε χρώμα για μισό (0,5) δευτερόλεπτο 	Επιτυχής σφράγιση αγγείου.	Καμία. Κανονική λειτουργία.
Επανενεργοποίηση / Ατελής σφράγιση	<ul style="list-style-type: none"> • Ένας ήχος ειδοποίησης τριών παλμών • Η παροχή ενέργειας ραδιοσυχνότητας σταματά • Η οθόνη ενεργοποίησης φωτίζεται με πορτοκαλί χρώμα για ένα (1) δευτερόλεπτο 	<p>Ο χρόνος σφράγισης υπερβαίνει τα πέντε (5) δευτερόλεπτα</p> <p>Ή</p> <p>Ο χρήστης είτε άνοιξε τις σιαγόνες του οργάνου είτε άφησε το κουμπί ενεργοποίησης, γεγονός που προκαλεί διακοπή του κύκλου σφράγισης πριν από την ολοκλήρωση της σφράγισης</p> <p>Ή</p> <p>Η ένταση ρεύματος παραμένει στο μέγιστο όριο έντασης ρεύματος για περισσότερο από τέσσερα (4) δευτερόλεπτα, γεγονός που υποδεικνύει ότι έχει συμβεί βραχυκύκλωμα ανάμεσα στις σιαγόνες</p> <p>Ή</p> <p>Το όργανο έχει ενεργοποιηθεί στον αέρα.</p>	<ol style="list-style-type: none"> 1. Αφήστε το κουμπί ενεργοποίησης 2. Πατήστε το κουμπί ενεργοποίησης για να ενεργοποιήσετε εκ νέου τον κύκλο σφράγισης χωρίς να αλλάξετε τη θέση του οργάνου 3. Ανοίξτε τις σιαγόνες του οργάνου και επιθεωρήστε για επιτυχή σφράγιση 4. Εάν είναι δυνατόν, επανατοποθετήστε το όργανο και συλλάβετε ξανά τον ιστό σε άλλη θέση, κατόπιν ενεργοποιήστε ξανά τον κύκλο σφράγισης 5. Επιθεωρήστε οπτικά τη σφράγιση πριν από την κοπή
Στις πιθανές συνθήκες χρήσης περιλαμβάνονται οι εξής:			
	Σύλληψη λεπτού ιστού ή ενεργοποίηση στον αέρα.		Ανοίξτε τις σιαγόνες και επιβεβαιώστε ότι υπάρχει επαρκής ποσότητα ιστού μέσα στις σιαγόνες. Εάν είναι απαραίτητο, αυξήστε την ποσότητα ιστού και επαναλάβετε τη διαδικασία
	Σύλληψη υπερβολικής ποσότητας ιστού μεταξύ των σιαγόνων.		Ανοίξτε τις σιαγόνες και μειώστε τον ιστό που συλλαμβάνεται και ενεργοποιήστε ξανά τον κύκλο σφράγισης
	Σύλληψη ενός μεταλλικού αντικειμένου.		Αποφύγετε τη σύλληψη αντικειμένων, όπως συνδετήρες, κλιπ ή επικαλυμμένα ράμματα στις σιαγόνες του οργάνου
	Ενεργοποίηση σε περίσσεια συγκεντρωμένων υγρών γύρω από το άκρο του οργάνου.		<ol style="list-style-type: none"> 1. Ελαχιστοποιήστε ή αφαιρέστε την περίσσεια υγρών 2. Ενεργοποιήστε εκ νέου τον κύκλο σφράγισης χωρίς να αλλάξετε τη θέση του οργάνου
	Υπερβολική εσχάρα ιστού στα άκρα των ηλεκτροδίων.		Χρησιμοποιήστε ένα υγρό επίθεμα γάζας για να καθαρίσετε τις επιφάνειες και τα άκρα των σιαγόνων του οργάνου.

<p>Σφάλμα συστήματος</p>	<ul style="list-style-type: none"> Ένας μονός παλμικός τόνος ειδοποίησης Η παροχή ενέργειας ραδιοσυχνότητας (RF) σταματάει, το κουμπί λειτουργίας φωτίζεται και παραμένει κόκκινο 	<p>Η γεννήτρια δεν λειτουργεί σωστά, απέτυχε σε εσωτερική δοκιμή.</p>	<ol style="list-style-type: none"> 1. Πατήστε το κεντρικό κουμπί λειτουργίας για να απενεργοποιήσετε τη γεννήτρια 2. Περιμένετε τουλάχιστον 30 δευτερόλεπτα 3. Πατήστε το κουμπί λειτουργίας για να ενεργοποιήσετε τη γεννήτρια 4. Επιβεβαιώστε ότι το κουμπί λειτουργίας ανάβει με πράσινο χρώμα πριν από τη χρήση. <p>Εάν το σφάλμα συστήματος επανεμφανιστεί:</p> <ul style="list-style-type: none"> • Μη χρησιμοποιείτε τη γεννήτρια. • Χρησιμοποιήστε διαφορετική γεννήτρια CoolSeal™ ή εναλλακτικά μέσα για να ολοκληρώσετε τη διαδικασία. <p>Επιστρέψτε τη γεννήτρια που δυσλειτουργεί σύμφωνα με τις οδηγίες στην ενότητα Σέρβις προϊόντος αυτού του οδηγού.</p>
<p>Σφάλμα οργάνου</p>	<ul style="list-style-type: none"> Ένας μονός παλμικός τόνος ειδοποίησης Η οθόνη της υποδοχής του οργάνου ανάβει με πορτοκαλί χρώμα και αναβοσβήνει συνεχώς Η γεννήτρια δεν επιτρέπει τη χορήγηση ενέργειας ραδιοσυχνότητας (RF) 	<p>Η γεννήτρια δεν λειτουργεί σωστά, απέτυχε σε εσωτερική δοκιμή.</p>	<ol style="list-style-type: none"> 1. Αποσυνδέστε το όργανο από τη γεννήτρια. 2. Βεβαιωθείτε ότι δεν είναι πατημένο το κουμπί ενεργοποίησης του οργάνου. 3. Επανασυνδέστε το όργανο στη γεννήτρια. 4. Επιβεβαιώστε ότι η οθόνη της υποδοχής του οργάνου ανάβει με πράσινο χρώμα <p>Εάν επανεμφανιστεί το σφάλμα του οργάνου:</p> <ul style="list-style-type: none"> • Μη χρησιμοποιείτε το όργανο • Χρησιμοποιήστε διαφορετικό όργανο CoolSeal™.
<p>Στις πιθανές συνθήκες χρήσης περιλαμβάνονται οι εξής:</p>			
<p>Ακούσιο πάτημα του κουμπιού ενεργοποίησης του οργάνου κατά τη διάρκεια της σύνδεσης του οργάνου.</p>		<p>Αφαιρέστε οτιδήποτε πιέζει το κουμπί ενεργοποίησης του οργάνου και επανασυνδέστε το όργανο.</p>	
<p>Ο διακόπτης του οργάνου δυσλειτουργεί.</p>		<p>Αντικαταστήστε το όργανο.</p>	

Μη έγκυρο όργανο	<ul style="list-style-type: none"> • Ένας μονός παλμικός τόνος ειδοποίησης • Ανάβει η οθόνη της υποδοχής του οργάνου και παραμένει κόκκινη • Η γεννήτρια δεν επιτρέπει Παροχή ενέργειας ραδιοσυχνότητας (RF) 	Ένα μη χρησιμοποιήσιμο όργανο έχει συνδεθεί.	<ol style="list-style-type: none"> 1. Αποσυνδέστε το όργανο από τη γεννήτρια. 2. Βεβαιωθείτε ότι το όργανο είναι συμβατό με το CoolSeal™ 3. Επανασυνδέστε το όργανο στη γεννήτρια. 4. Επιβεβαιώστε ότι η οθόνη της υποδοχής του οργάνου ανάβει με πράσινο χρώμα <p>Αν το σφάλμα του οργάνου επανεμφανίζεται:</p> <ul style="list-style-type: none"> • Μη χρησιμοποιείτε το όργανο • Χρησιμοποιήστε διαφορετικό όργανο CoolSeal™.
		Στις πιθανές συνθήκες χρήσης περιλαμβάνονται οι εξής:	
		Το όργανο που είναι συνδεδεμένο δεν είναι συμβατό με την τεχνολογία CoolSeal™.	Επιβεβαιώστε τη συμβατότητα του οργάνου με την τεχνολογία CoolSeal™ από τις οδηγίες χρήσης του οργάνου.
		Το όργανο που συνδέθηκε έχει χρησιμοποιηθεί προηγουμένως.	Απορρίψτε το όργανο.
		Το όργανο δεν μπορεί να χρησιμοποιηθεί με την έκδοση λογισμικού.	Επιβεβαιώστε ότι η έκδοση λογισμικού που απαιτείται από το όργανο δεν είναι μεταγενέστερη από την έκδοση λογισμικού που επισημαίνεται στο κάτω μέρος της γεννήτριας CoolSeal™. Για αναβάθμιση λογισμικού, ανατρέξτε στην ενότητα «Αναβάθμιση λογισμικού».

Κεφάλαιο 4. Μετά τη χειρουργική επέμβαση

Αυτό το κεφάλαιο καλύπτει τα ακόλουθα θέματα:

- Απενεργοποίηση της γεννήτριας CoolSeal™
- Προετοιμασία της γεννήτριας CoolSeal™ για επαναχρησιμοποίηση

Προσοχή

Διαβάστε όλες τις προειδοποιήσεις, τις συστάσεις προσοχής και τις οδηγίες που παρέχονται με αυτήν τη γεννήτρια πριν από τη χρήση. Στο παρόν εγχειρίδιο δεν περιλαμβάνονται ειδικές οδηγίες για τα όργανα CoolSeal™. Ανατρέξτε στις οδηγίες χρήσης του οργάνου CoolSeal™ για προειδοποιήσεις, συστάσεις προσοχής και οδηγίες χρήσης.

Απενεργοποίηση της γεννήτριας CoolSeal™

1. Απενεργοποιήστε το σύστημα πατώντας το κουμπί αναμονής ισχύος (⏻) στην πρόσοψη της μονάδας. Τηρήστε τα εξής:
 - Η λυχνία του κουμπιού αναμονής ισχύος σβήνει.

Εάν είναι απαραίτητο, η γεννήτρια μπορεί να απενεργοποιηθεί αφαιρώντας τη σύνδεση του καλωδίου ρεύματος είτε από την είσοδο ρεύματος είτε από τον τοίχο.

Προετοιμασία της γεννήτριας CoolSeal™ για επαναχρησιμοποίηση

Βήμα 1 – Αποσύνδεση των οργάνων CoolSeal™

1. Αποσυνδέστε το όργανο από το μπροστινό πλαίσιο.
2. Απορρίψτε το όργανο μίας χρήσης σύμφωνα με τις διαδικασίες του ιδρύματός σας.

Βήμα 2 – Καθαρισμός της γεννήτριας CoolSeal™

Προειδοποίηση

Κίνδυνος ηλεκτροπληξίας

Απενεργοποιείτε και αποσυνδέετε πάντα τη γεννήτρια CoolSeal™ πριν από τον καθαρισμό.

Ειδοποίηση

Καθαρίζετε τη γεννήτρια CoolSeal™ με μη εύφλεκτους παράγοντες και απολυμαντικά όποτε είναι δυνατόν. Μη χρησιμοποιείτε διαβρωτικές καθαριστικές ή απολυμαντικές ενώσεις, διαλύτες ή άλλα υλικά που θα μπορούσαν να χαράξουν τα μπροστινά πλαίσια ή να προκαλέσουν ζημιά στη γεννήτρια, όπως χλωριωμένους υδρογονάνθρακες ή άλλους διαλύτες πλαστικών.

- Απενεργοποιήστε τη γεννήτρια και αποσυνδέστε το καλώδιο ρεύματος από την επιτοίχια πρίζα.
- Σκουπίστε σχολαστικά όλες τις επιφάνειες της γεννήτριας και του καλωδίου ρεύματος με ήπιο διάλυμα καθαρισμού ή απολυμαντικό και υγρό πανί. Εάν χρησιμοποιείτε λευκαντικά με βάση το χλώριο, αραιώστε πριν από τον καθαρισμό.
- Ακολουθήστε τις διαδικασίες που έχουν εγκριθεί από το ίδρυμά σας ή χρησιμοποιήστε επικυρωμένες διαδικασίες ελέγχου λοιμώξεων.
- Μην βυθίζετε σε υγρό, μην ξεπλένετε επιθετικά και μην επιτρέπετε την είσοδο υγρών στο πλαίσιο.

Κεφάλαιο 5. Αντιμετώπιση προβλημάτων

Αυτό το κεφάλαιο καλύπτει τα ακόλουθα θέματα:

- Γενικές οδηγίες αντιμετώπισης προβλημάτων
- Διόρθωση δυσλειτουργιών

Προσοχή

Διαβάστε όλες τις προειδοποιήσεις, τις συστάσεις προσοχής και τις οδηγίες που παρέχονται με αυτήν τη γεννήτρια πριν από τη χρήση. Στο παρόν εγχειρίδιο δεν περιλαμβάνονται ειδικές οδηγίες για τα όργανα CoolSeal™. Ανατρέξτε στις οδηγίες χρήσης του οργάνου CoolSeal™ για προειδοποιήσεις, συστάσεις προσοχής και οδηγίες χρήσης.

Γενικές οδηγίες αντιμετώπισης προβλημάτων

Εάν η γεννήτρια CoolSeal™ παρουσιάσει δυσλειτουργία, ελέγξτε για τυχόν εμφανείς καταστάσεις που μπορεί να προκάλεσαν το πρόβλημα:

- Βεβαιωθείτε ότι όλα τα καλώδια είναι συνδεδεμένα και προσαρτημένα σωστά.
- Ελέγξτε το σύστημα για ορατά σημάδια φυσικής ζημιάς.
- Απενεργοποιήστε το σύστημα και ενεργοποιήστε το ξανά.

Εάν η δυσλειτουργία επιμένει, το σύστημα μπορεί να απαιτεί σέρβις. Επικοινωνήστε με το τμήμα βιοϊατρικής τεχνολογίας του ιδρύματός σας, την Bolder Surgical ή τον εξουσιοδοτημένο διανομέα.

Εάν παρουσιαστούν οποιαδήποτε περιστατικά κατά τη χρήση του συστήματος CoolSeal™, οι χρήστες θα πρέπει να αναφέρουν αυτά τα προβλήματα απευθείας στην Bolder Surgical μέσω τηλεφώνου στο (+1866.683.1743) ή μέσω email (complaints@boldsurg.com) και στην τοπική αρμόδια αρχή.

Διόρθωση δυσλειτουργιών

Εάν μια λύση δεν είναι άμεσα εμφανής, χρησιμοποιήστε τον παρακάτω πίνακα για να εντοπίσετε και να διορθώσετε συγκεκριμένες δυσλειτουργίες. Αφού διορθώσετε τη δυσλειτουργία, βεβαιωθείτε ότι το σύστημα ολοκληρώνει την εσωτερική δοκιμή όπως περιγράφεται στο κεφάλαιο Ρύθμιση συστήματος.

Μη φυσιολογική απόκριση ασθενούς:

Κατάσταση:	Αιτίες:	Για επίλυση:
Μη φυσιολογική νευρομυϊκή διέγερση (σταματήστε αμέσως τη χειρουργική επέμβαση)	Σπινθηρισμός από μέταλλο σε μέταλλο	Ελέγξτε όλες τις συνδέσεις με τη γεννήτρια CoolSeal™.
	Μη φυσιολογικά ρεύματα διαρροής 50 Hz-60 Hz	Χρησιμοποιήστε εφεδρική γεννήτρια CoolSeal™. Επικοινωνήστε με το τμήμα βιοϊατρικής τεχνολογίας ή με έναν αντιπρόσωπο τεχνικής εξυπηρέτησης της Bolder Surgical™ για βοήθεια.

Δυσλειτουργίες γεννήτριας CoolSeal™:

Κατάσταση:	Αιτίες:	Για επίλυση:
Η γεννήτρια CoolSeal™ δεν ανταποκρίνεται όταν ενεργοποιείται	Αποσυνδεδεμένο καλώδιο ρεύματος ή ελαττωματική επιτοίχια πρίζα	Ελέγξτε τις συνδέσεις του καλωδίου ρεύματος (γεννήτρια CoolSeal™ και επιτοίχια πρίζα). Συνδέστε το καλώδιο ρεύματος σε μια λειτουργική πρίζα.
	Ελαττωματικό καλώδιο ρεύματος	Αντικαταστήστε το καλώδιο ρεύματος.
	Οι ασφάλειες είναι καμένες	Επικοινωνήστε με το τμήμα βιοϊατρικής τεχνολογίας ή με έναν αντιπρόσωπο τεχνικής εξυπηρέτησης της Bolder Surgical™ για βοήθεια.
	Δυσλειτουργία εσωτερικού εξαρτήματος	Χρησιμοποιήστε εφεδρική γεννήτρια CoolSeal™. Επικοινωνήστε με το τμήμα βιοϊατρικής τεχνολογίας ή με έναν αντιπρόσωπο τεχνικής εξυπηρέτησης της Bolder Surgical™ για βοήθεια.
Το σύστημα είναι ενεργοποιημένο, αλλά δεν ολοκλήρωσε με επιτυχία την εσωτερική δοκιμή ή σταμάτησε να λειτουργεί κατά τη διάρκεια της χρήσης – Ένας τόνος ενός παλμού και το κουμπί λειτουργίας ανάβει με κόκκινο χρώμα	Μονάδα αποθηκευμένη σε ψυχρή τοποθεσία	Αφήστε τη μονάδα να θερμανθεί σε θερμοκρασία περιβάλλοντος.
	Αποκαταστάσιμη δυσλειτουργία λογισμικού	Χρησιμοποιήστε εφεδρική γεννήτρια CoolSeal™. Επικοινωνήστε με το τμήμα βιοϊατρικής τεχνολογίας ή με έναν αντιπρόσωπο τεχνικής εξυπηρέτησης της Bolder Surgical™ για βοήθεια.
	Δυσλειτουργία εσωτερικού εξαρτήματος ή μη αποκαταστάσιμη δυσλειτουργία λογισμικού	Δυσλειτουργία εσωτερικού εξαρτήματος.
Το σύστημα είναι ενεργοποιημένο, με ένα μόνο ηχητικό σήμα και μια οθόνη υποδοχής οργάνου που αναβοσβήνει με πορτοκαλί χρώμα.	Το σύστημα εκκινήθηκε με ελαττωματικό όργανο συνδεδεμένο στην υποδοχή οργάνου	Αποσυνδέστε το όργανο. Απενεργοποιήστε τη γεννήτρια CoolSeal™. Ενεργοποιήστε τη γεννήτρια CoolSeal™. Συνδέστε το όργανο.
	Εσφαλμένο ή ληγμένο όργανο	Αντικαταστήστε το όργανο εάν συνεχίζει να παρουσιάζει δυσλειτουργία.
	Αστοχία οργάνου	Ζητήστε από το τμήμα βιοϊατρικής τεχνολογίας να επικοινωνήσει με τον κατασκευαστή του τεχνολογικού προϊόντος. Για αναβάθμιση λογισμικού, ανατρέξτε στην ενότητα «Αναβάθμιση λογισμικού».
Το σύστημα είναι ενεργοποιημένο, το κουμπί λειτουργίας φωτίζεται με πράσινο χρώμα όταν συνδέετε το όργανο, ακούγεται ένας μόνος ήχος και εμφανίζεται μια κόκκινη οθόνη της υποδοχής του οργάνου.	Η αναγνώριση του οργάνου απέτυχε λόγω διαλείπουσας σύνδεσης	Αφαιρέστε το βύσμα του οργάνου Επανεισαγάγετε σταθερά το όργανο.
	Αποκαταστάσιμη δυσλειτουργία λογισμικού	Απενεργοποιήστε το σύστημα και, στη συνέχεια, ενεργοποιήστε ξανά το σύστημα.
	Δυσλειτουργία εσωτερικού εξαρτήματος ή μη αποκαταστάσιμη δυσλειτουργία λογισμικού	Χρησιμοποιήστε εφεδρική γεννήτρια CoolSeal™. Επικοινωνήστε με το τμήμα βιοϊατρικής τεχνολογίας ή με έναν αντιπρόσωπο τεχνικής εξυπηρέτησης της Bolder Surgical™ για βοήθεια.
Η γεννήτρια CoolSeal™ είναι ενεργοποιημένη και το όργανο είναι ενεργοποιημένο, αλλά το σύστημα δεν χορηγεί έξοδο – δεν υπάρχουν τόνοι ή ενδείξεις ενεργοποίησης	Υπάρχει μια κατάσταση ειδοποίησης	Ανατρέξτε στην ενότητα Συνθήκες ειδοποίησης.
	Το σύστημα δεν ανιχνεύει το όργανο σφράγισης του αγγείου	Εισαγάγετε σταθερά τον σύνδεσμο στην υποδοχή του μπροστινού πλαισίου της γεννήτριας CoolSeal™. Βεβαιωθείτε ότι η οθόνη της υποδοχής ανάβει με πράσινο χρώμα για να υποδείξει ότι ένα όργανο CoolSeal™ έχει τοποθετηθεί και αναγνωρισθεί σωστά.
	Δυσλειτουργία εσωτερικού εξαρτήματος ή μη αποκαταστάσιμη δυσλειτουργία λογισμικού	Επικοινωνήστε με το τμήμα βιοϊατρικής τεχνολογίας ή με έναν αντιπρόσωπο τεχνικής εξυπηρέτησης της Bolder Surgical™ για βοήθεια.

Ελλιπής στεγανοποίηση / Επανενεργοποίηση – Ακούγεται ένας ήχος τριών παλμών , η πορτοκαλί οθόνη ενεργοποίησης στο μπροστινό πλαίσιο της γεννήτριας και η έξοδος RF είναι απενεργοποιημένη	Ο κύκλος σφράγισης ήταν πάνω από 5 δευτερόλεπτα Ή Ο χειροδιακόπτης απελευθερώθηκε πριν ηχησει ο ήχος τέλους	Απαιτείται επιπλέον χρόνος και ενέργεια για την ολοκλήρωση του κύκλου σφράγισης. Ενεργοποιήστε εκ νέου τον κύκλο σφράγισης χωρίς να αφαιρέσετε ή να αλλάξετε τη θέση του οργάνου. Επιθεωρήστε οπτικά τη σφράγιση πριν από την κοπή.
	Υπάρχει μεταλλικό ή άλλο ξένο αντικείμενο στο εσωτερικό των σιαγόνων	Αποφύγετε τη σύλληψη αντικειμένων, όπως συνδετήρες, κλιπ ή επικαλυμμένα ράμματα στις σιαγόνες του οργάνου.
	Ο ιστός που συγκρατείται εντός των σιαγόνων είναι πολύ λεπτός	Ανοίξτε τις σιαγόνες και επιβεβαιώστε ότι υπάρχει επαρκής ποσότητα ιστού μέσα στις σιαγόνες. Εάν είναι απαραίτητο, αυξήστε την ποσότητα ιστού και επαναλάβετε τη διαδικασία.
	Συγκεντρωμένα υγρά γύρω από το άκρο του οργάνου	Ελαχιστοποιήστε ή αφαιρέστε την περίσσεια υγρών. Καθαρίστε τα άκρα και τις σιαγόνες των ηλεκτροδίων με ένα υγρό επίθεμα γάζας.
	Το όργανο έχει ενεργοποιηθεί στον αέρα	Αφήστε το κουμπί ενεργοποίησης. Πιάστε τον ιστό και ενεργοποιήστε τον κύκλο σφράγισης.
Το όργανο είναι συνδεδεμένο αλλά η σφράγιση του αγγείου δεν θα ενεργοποιηθεί	Το όργανο δεν έχει εφαρμόσει πλήρως στην υποδοχή οργάνου	Αποσυνδέστε το όργανο, επανασυνδέστε το και περιμένετε λίγο.

Πιθανές αλληλεπιδράσεις με άλλες συσκευές:

Κατάσταση:	Αιτίες:	Για επίλυση:
Συνεχής παρεμβολή συσκευής παρακολούθησης	Δυσλειτουργική συσκευή παρακολούθησης	Ανατρέξτε στις οδηγίες χρήσης της συσκευής παρακολούθησης για αντιμετώπιση προβλημάτων.
	Ελαττωματικές συνδέσεις πλαισίου σε γείωση	Ελέγξτε και διορθώστε τις συνδέσεις γείωσης του πλαισίου για τη συσκευή παρακολούθησης και τη γεννήτρια CoolSeal™. Ελέγξτε άλλον ηλεκτρικό εξοπλισμό στην αίθουσα για τυχόν ελαττωματικές γειώσεις.
	Ο ηλεκτρικός εξοπλισμός είναι γειωμένος σε διαφορετικά αντικείμενα και όχι σε κοινή γείωση. Η γεννήτρια CoolSeal™ μπορεί να ανταποκριθεί στις διαφορές τάσης που προκύπτουν μεταξύ γειωμένων αντικειμένων.	Συνδέστε όλο τον ηλεκτρικό εξοπλισμό σε ισχύ γραμμής στην ίδια θέση. Επικοινωνήστε με το τμήμα βιοϊατρικής τεχνολογίας ή με έναν αντιπρόσωπο τεχνικής εξυπηρέτησης της Bolder Surgical™ για βοήθεια.
	Εάν οι παρεμβολές συνεχιστούν όταν ενεργοποιηθεί η γεννήτρια CoolSeal™, η συσκευή παρακολούθησης ανταποκρίνεται στις ακτινοβολούμενες συχνότητες.	Ζητήστε από το τμήμα βιοϊατρικής τεχνολογίας να επικοινωνήσει με τον κατασκευαστή της συσκευής παρακολούθησης. Ορισμένοι κατασκευαστές προσφέρουν φίλτρα με στραγγαλιστικό πηνίο ραδιοσυχνότητας (RF) για χρήση στις απαγωγές της συσκευής παρακολούθησης. Τα φίλτρα μειώνουν τις παρεμβολές όταν ενεργοποιείται η γεννήτρια CoolSeal™ και ελαχιστοποιούν την πιθανότητα ηλεκτροχειρουργικού εγκαύματος στο σημείο του ηλεκτροδίου της συσκευής παρακολούθησης.
Παρεμβολή βηματοδότη	Διακοπτόμενες συνδέσεις ή σπινθηρισμός μεταξύ μετάλλων	Παρακολουθείτε πάντοτε τους ασθενείς με βηματοδότες κατά τη διάρκεια της χειρουργικής επέμβασης και διατηρείτε διαθέσιμο έναν απινιδωτή.
Ενεργοποίηση εσωτερικού καρδιακού απινιδωτή (ICD)	Ο ICD ενεργοποιείται από τη γεννήτρια CoolSeal™	Σταματήστε τη διαδικασία και επικοινωνήστε με τον κατασκευαστή του ICD για οδηγίες.
Παρεμβολή με άλλα τεχνολογικά προϊόντα μόνο όταν είναι ενεργοποιημένη η γεννήτρια CoolSeal™	Ηλεκτρικά ασύμφωνα καλώδια γείωσης στο χειρουργείο	Βεβαιωθείτε ότι όλα τα καλώδια γείωσης είναι όσο το δυνατόν πιο κοντά και πηγαίνουν στο ίδιο γειωμένο μέταλλο.
	Εάν οι παρεμβολές συνεχιστούν όταν ενεργοποιηθεί η γεννήτρια CoolSeal™, το τεχνολογικό προϊόν ανταποκρίνεται στις ακτινοβολούμενες συχνότητες.	Ζητήστε από το τμήμα βιοϊατρικής τεχνολογίας να επικοινωνήσει με τον κατασκευαστή του τεχνολογικού προϊόντος.

Κεφάλαιο 6. Περιοδικός έλεγχος λειτουργίας, συντήρηση και σέρβις

Αυτό το κεφάλαιο παρουσιάζει τις ακόλουθες πληροφορίες:

- Ευθύνη του κατασκευαστή
- Περιοδικός έλεγχος λειτουργίας και συντήρηση
- Επιστροφή της γεννήτριας για σέρβις
- Αναβαθμίσεις λογισμικού

Προσοχή

Διαβάστε όλες τις προειδοποιήσεις, τις συστάσεις προσοχής και τις οδηγίες που παρέχονται με αυτήν τη γεννήτρια πριν από τη χρήση. Στο παρόν εγχειρίδιο δεν περιλαμβάνονται ειδικές οδηγίες για τα όργανα CoolSeal™. Ανατρέξτε στις οδηγίες χρήσης του οργάνου CoolSeal™ για προειδοποιήσεις, συστάσεις προσοχής και οδηγίες χρήσης.

Ευθύνη του κατασκευαστή

Η Bolder Surgical είναι υπεύθυνη για την ασφάλεια, την αξιοπιστία και την απόδοση της γεννήτριας CoolSeal™ μόνο εάν πληρούνται όλες οι παρακάτω προϋποθέσεις:

- Ακολουθούν οι διαδικασίες εγκατάστασης και ρύθμισης που περιγράφονται στο παρόν εγχειρίδιο.
- Άτομα εξουσιοδοτημένα από την Bolder Surgical εκτελούν συναρμολόγηση, λειτουργία, επαναρρυθμίσεις, τροποποιήσεις ή επισκευές.
- Η ηλεκτρική εγκατάσταση της αντίστοιχης αίθουσας συμμορφώνεται με τους τοπικούς κώδικες και τις κανονιστικές απαιτήσεις, όπως τα IEC και BSI.
- Ο εξοπλισμός χρησιμοποιείται σύμφωνα με τις οδηγίες χρήσης της Bolder Surgical. Για πληροφορίες σχετικά με την εγγύηση, ανατρέξτε στην ενότητα «Εγγύηση» του παρόντος εγχειριδίου.

Περιοδικός έλεγχος λειτουργίας και συντήρηση

Πότε πρέπει να πραγματοποιείται περιοδικός έλεγχος λειτουργίας;

Η Bolder Surgical συνιστά να εκτελείται ένας περιοδικός έλεγχος λειτουργίας της γεννήτριας CoolSeal™ τουλάχιστον μία φορά κάθε δύο χρόνια. Ο περιοδικός έλεγχος λειτουργίας θα πρέπει να εκτελείται μόνο από εξειδικευμένο βιοϊατρικό τεχνικό ή η γεννήτρια CoolSeal™ μπορεί να επιστραφεί στην Bolder Surgical ή στον διανομέα της για περιοδικό έλεγχο λειτουργίας. Βλ. Παράρτημα Α για λεπτομερείς οδηγίες σχετικά με τον περιοδικό έλεγχο λειτουργίας.

Πότε πρέπει να αντικαθίσταται το καλώδιο ρεύματος;

Αντικαταστήστε το καλώδιο ρεύματος εάν βρείτε εκτεθειμένα καλώδια, ρωγμές, ξεφτισμένα άκρα ή εάν ο σύνδεσμος έχει υποστεί ζημιά.

Πότε πρέπει να αντικαθίστανται οι ασφάλειες;

Το τμήμα βιοϊατρικής τεχνολογίας του νοσοκομείου μπορεί περιστασιακά να χρειαστεί να αντικαταστήσει τις ασφάλειες. Οι ασφάλειες θα πρέπει να αντικαθίστανται είτε όταν μια ασφάλεια έχει καεί για την προστασία της γεννήτριας CoolSeal™ είτε όπως καθορίζεται από το τμήμα βιοϊατρικής τεχνολογίας του νοσοκομείου για προληπτική συντήρηση. Σε περίπτωση επανειλημμένων αστοχιών των ασφαλειών σε σύντομο χρονικό διάστημα, μη συνεχίσετε να αντικαθιστάτε τις ασφάλειες και επιστρέψτε τη γεννήτρια CoolSeal™ για σέρβις.

Πώς μπορούν να αντικατασταθούν οι ασφάλειες;

1. Απενεργοποιήστε τη γεννήτρια και αποσυνδέστε το καλώδιο ρεύματος από την επιτοίχια πρίζα.
2. Αποσυνδέστε το καλώδιο ρεύματος του συστήματος από την ηλεκτρική είσοδο στο πίσω πλαίσιο.
3. Απασφαλίστε τον δίσκο ασφαλειών από κάτω από την ηλεκτρική είσοδο.
4. Αφαιρέστε και τις δύο ασφάλειες.

5. Οι ασφάλειες πρέπει να έχουν ίδια διαβάθμιση με αυτήν που αναφέρεται στην ετικέτα κάτω από την είσοδο ηλεκτρικού ρεύματος στο πίσω πλαίσιο.
6. Εισαγάγετε και τις δύο ασφάλειες.
7. Εισαγάγετε και ασφαλίστε τον δίσκο ασφαλειών.

Σέρβις προϊόντος

Προειδοποίηση

Κίνδυνος ηλεκτροπληξίας: Μην αφαιρείτε το κάλυμμα της γεννήτριας CoolSeal™.

Μην επιχειρήσετε να κάνετε σέρβις στη γεννήτρια CoolSeal™. Όλες οι εργασίες σέρβις και επισκευής πρέπει να πραγματοποιούνται από εξουσιοδοτημένο προσωπικό της Bolder Surgical™.

Επιστροφή της γεννήτριας CoolSeal™ για σέρβις

Πριν επιστρέψετε τη γεννήτρια CoolSeal™, καλέστε τον αντιπρόσωπο πωλήσεων της Bolder Surgical™ για βοήθεια. Εάν σας δοθούν οδηγίες να στείλετε τη γεννήτρια στη Bolder Surgical, κάντε τα εξής:

1. Καλέστε το κέντρο εξυπηρέτησης πελατών της Bolder Surgical™ για την περιοχή σας για να λάβετε έναν αριθμό εξουσιοδότησης επιστροφής. Να έχετε έτοιμες τις παρακάτω πληροφορίες όταν καλείτε:
 - Όνομα νοσοκομείου/κλινικής/αριθμός πελάτη
 - Αριθμός τηλεφώνου σας
 - Τμήμα/διεύθυνση, πόλη, πολιτεία και ταχυδρομικός κώδικας
 - Αριθμός μοντέλου
 - Σειριακός αριθμός
 - Περιγραφή του προβλήματος
 - Τύπος υπηρεσίας, αναβάθμιση ή επισκευή που πρέπει να γίνει
2. Καθαρισμός της γεννήτριας CoolSeal™.
 - Δείτε την ενότητα Καθαρισμός παραπάνω.
3. Αποστολή της γεννήτριας CoolSeal™.
 - Προσαρτήστε μια ετικέτα στη γεννήτρια που να περιλαμβάνει τον αριθμό εξουσιοδότησης επιστροφής και τις πληροφορίες (νοσοκομείο, αριθμός τηλεφώνου κ.λπ.) που αναφέρονται στο βήμα 1.
 - Βεβαιωθείτε ότι η γεννήτρια είναι εντελώς στεγνή πριν τη συσκευάσετε για αποστολή. Συσκευάστε την στην αρχική συσκευασία αποστολής, εάν είναι διαθέσιμη.
 - Αποστείλετε τη γεννήτρια, προπληρωμένη, στο κέντρο σέρβις της Bolder Surgical™.

Αναβαθμίσεις λογισμικού

Το προσωπικό της Bolder Surgical™ πρέπει να εκτελεί αναβαθμίσεις λογισμικού. Βλ. *Επιστροφή της γεννήτριας CoolSeal™ για σέρβις* (παραπάνω) για οδηγίες.

Κεφάλαιο 7. Τεχνικές προδιαγραφές

Όλες οι προδιαγραφές είναι ονομαστικές και υπόκεινται σε αλλαγές χωρίς προειδοποίηση.

Μια προδιαγραφή που αναφέρεται ως «Τυπική» είναι εντός $\pm 20\%$ μιας δηλωμένης τιμής σε θερμοκρασία δωματίου ($25\text{ }^{\circ}\text{C} / 77\text{ }^{\circ}\text{F}$) και μια ονομαστική τάση εισόδου γραμμής.

Προσοχή

Διαβάστε όλες τις προειδοποιήσεις, τις συστάσεις προσοχής και τις οδηγίες που παρέχονται με αυτήν τη γεννήτρια πριν από τη χρήση. Στο παρόν εγχειρίδιο δεν περιλαμβάνονται ειδικές οδηγίες για τα όργανα CoolSeal™. Ανατρέξτε στις οδηγίες χρήσης του οργάνου CoolSeal™ για προειδοποιήσεις, συστάσεις προσοχής και οδηγίες χρήσης.

Χαρακτηριστικά απόδοσης

Γενικά

Διαμόρφωση εξόδου:	Απομονωμένη έξοδος
Ψύξη:	Φυσική μεταφορά σε θερμοκρασία περιβάλλοντος
Προβολή:	Λυχνίες ένδειξης και διακόπτης αναμονής ισχύος
Θύρες συνδέσμων:	Ανίχνευση φωτιζόμενου συνδέσμου LED
Τοποθέτηση:	Συστήματα μπούμας αίθουσας χειρουργείου Οποιαδήποτε σταθερή, επίπεδη επιφάνεια, όπως τραπέζι ή επιφάνεια τροχήλατου

Διαστάσεις και βάρος

Πλάτος:	30,5 cm (12 in.)
Βάθος:	38,1 cm (15 in.)
Ύψος:	10,9 cm (4,3 in.)
Βάρος:	5,4 kg (12 lb.)

Παράμετροι λειτουργίας

Εύρος θερμοκρασίας περιβάλλοντος:	+10 °C έως +35 °C
Σχετική υγρασία:	30% έως 75% (χωρίς συμπύκνωση υδρατμών)
Ατμοσφαιρική πίεση:	67 kilopascal έως 111 kilopascal
Χρόνος προθέρμανσης:	Σε περίπτωση μεταφοράς ή αποθήκευσης σε θερμοκρασίες εκτός του εύρους θερμοκρασιών λειτουργίας, αφήστε να περάσει μία ώρα ώστε η γεννήτρια CoolSeal™ να φτάσει σε θερμοκρασία λειτουργίας πριν από τη χρήση.

Μεταφορά και αποθήκευση

Εύρος θερμοκρασίας περιβάλλοντος:	-20 °C έως +60 °C
Σχετική υγρασία:	0% έως 90% (χωρίς συμπύκνωση υδρατμών)
Ατμοσφαιρική πίεση:	46 kilopascal έως 111 kilopascal

Εσωτερική μνήμη

Μόνιμη:	RAM
Χωρητικότητα αποθήκευσης:	Η μνήμη μπορεί να αποθηκεύσει πληροφορίες για τους τελευταίους 2.000 κύκλους σφράγισης. Τα δεδομένα δεν είναι ειδικά για κάθε ασθενή και δεν είναι προσβάσιμα από τον χρήστη.

Τόνος ενεργοποίησης

Τα επίπεδα ήχου που αναφέρονται παρακάτω είναι για τόνους ενεργοποίησης σφράγισης σε απόσταση ενός μέτρου.

Ένταση ήχου (ρυθμιζόμενη): 40 dBA έως 80 dBA

Συχνότητα

Σφράγιση CoolSeal™: 349,2 Hz

Διάρκεια: Συνεχής ενώ το σύστημα χορηγεί ενεργά ενέργεια ραδιοσυχνοτήτων

Τόνοι ειδοποίησης

Ένταση ήχου (ρυθμιζόμενη): 65 dBA έως 80 dBA

Συχνότητα

Σφάλμα συστήματος και σφάλμα οργάνου: Ένας παλμός τόνου 550 msec
Υψηλή = 2637 Hz, Χαμηλή = 440 Hz

550 msec

Η σφράγιση ολοκληρώθηκε:

Τρεις διαδοχικοί τόνοι

349,2 Hz, 392 Hz και 440 Hz

Διάρκεια 75 msec, 150 msec και 300 msec

Επανενεργοποίηση / Ατελής σφράγιση:

Τρεις παλμοί τόνου

Υψηλή = 2489 Hz, Χαμηλή = 349,2 Hz

Παλμοί 80 msec, ενδιάμεση παύση 100 msec

Ισχύς εισόδου

Μέγιστη ισχύς στην ονομαστική τάση γραμμής: 110 W
Ένταση ρεύματος κεντρικού δικτύου (μέγιστη) Αδράνεια: 250 mA Σφράγιση: 1 A
Εύρος συχνότητας γραμμής κεντρικού δικτύου (ονομαστικό): 50 Hz έως 60 Hz
Εύρος τάσης γραμμής κεντρικού δικτύου (ονομαστικό): 100-240 V
Ασφάλειες (2): Τύπος T5AH 250 V ή ισοδύναμος, 5 mm x 20 mm 5 A, 250 V, αργής δράσης, υψηλή ικανότητα διακοπής
Είσοδος τροφοδοσίας: IEC 60320 C14

Προδιαγραφές καλωδίου ρεύματος

Αυτή η μονάδα εξοπλήστηκε από το εργοστάσιο με καλώδιο ρεύματος νοσοκομειακού τύπου 110 VAC με σύνδεσμο τροφοδοσίας δικτύου NEMA5-15. Κατά την αντικατάσταση του καλωδίου εναλλασσόμενου ρεύματος ώστε να ταιριάζει με μια άλλη διαμόρφωση του συνδέσμου τροφοδοσίας, ο σύνδεσμος/καλώδιο/υποδοχή αντικατάστασης πρέπει να πληροί ή να υπερβαίνει τις ακόλουθες προδιαγραφές:

100-120 VAC

Καλώδιο: SJT 18/3, χρωματικός κωδικός IEC, μέγιστο μήκος 3 m (10 ft.)

Υποδοχή ρεύματος κεντρικού δικτύου: Νοσοκομειακού τύπου, πληροί τις απαιτήσεις της τοπικής χώρας

Ελάχιστο: 10 A - 125 VAC

Υποδοχή μονάδας: IEC 60320 C13, τουλάχιστον 10 A - 125 VAC

220-240 VAC

Καλώδιο: H05VVF3G1.0, μέγιστο μήκος 3 m (10 ft.)

Υποδοχή ρεύματος κεντρικού δικτύου: Νοσοκομειακού τύπου, πληροί τις απαιτήσεις της τοπικής χώρας

Ελάχιστο: 6 A - 250 VAC

Υποδοχή μονάδας: IEC 60320 C13, τουλάχιστον 6 A - 250 VAC

Τεχνικές προδιαγραφές

Συχνότητα εισόδου

Η γεννήτρια CoolSeal™ λειτουργεί εντός προδιαγραφών σε όλες τις συχνότητες εισόδου γραμμής μεταξύ 47 Hz και 63 Hz. Ο χρήστης δεν χρειάζεται να επαναδιαμορφώσει τη γεννήτρια CoolSeal™ για διαφορετικές συχνότητες γραμμών.

Ρεύμα εισόδου

Η γεννήτρια CoolSeal™ δεν αντλεί περισσότερα από 5 A σε οποιαδήποτε τάση εισόδου γραμμής.

Εφεδρική ισχύς

Η γεννήτρια CoolSeal™ διατηρεί τα δεδομένα βαθμονόμησης και τα στατιστικά δεδομένα όταν είναι απενεργοποιημένη και αποσυνδεδεμένη. Η γεννήτρια CoolSeal™ λειτουργεί εντός των προδιαγραφών όταν μεταβαίνει σε γραμμή παρεχόμενης τροφοδοσίας από νοσοκομειακά εφεδρικά συστήματα.

Ισοδυναμική σύνδεση

Παρέχεται ένας ισοδυναμικός συνδετήρας στο πίσω μέρος της γεννήτριας CoolSeal™ για να επιτραπεί η σύνδεση ενός αγωγού εξισορρόπησης δυναμικού, εάν απαιτείται.

Κύκλος λειτουργίας

Υπό μέγιστες ρυθμίσεις ισχύος και συνθήκες ονομαστικού φορτίου, η γεννήτρια CoolSeal™ έχει τη δυνατότητα λειτουργίας ενός κύκλου λειτουργίας 25%, που ορίζεται ως 5 δευτερόλεπτα ενεργής χορήγησης ραδιοσυχνοτήτων (RF) και 15 δευτερόλεπτα ανενεργή.

Ρεύμα διαρροής χαμηλής συχνότητας (50/60 Hz)

Συμμορφώνεται με το πρότυπο IEC 60601-1, έκδ. 3.1

Χαμηλά όρια συχνότητας:

Διαρροή γείωσης:	Συνθήκες κανονικής λειτουργίας 5 mA,	κατάσταση μονού σφάλματος 10 mA
Ένταση ρεύματος αφής:	Κανονική κατάσταση 100 μA,	κατάσταση μονού σφάλματος 500 μA
Διαρροή προς τον ασθενή:	Φυσιολογικές συνθήκες 10 μA	κατάσταση μονού σφάλματος 50 μA (συνεχές ρεύμα ή εναλλασσόμενο ρεύμα)
<i>(με βάση το εφαρμοζόμενο εξάρτημα τύπου CF)</i>		
Διαρροή προς τον ασθενή με κεντρική παροχή στο εφαρμοζόμενο εξάρτημα τύπου F:		50 μA
<i>(με βάση το εφαρμοζόμενο εξάρτημα τύπου CF)</i>		

Πρότυπα και ταξινομήσεις IEC

Η γεννήτρια CoolSeal™ πληροί όλες τους σχετικούς όρους του προτύπου IEC 60601-1 έκδ. 3.1, IEC 60601-1-2 έκδ. 4.0 και IEC 60601-2-2 έκδ. 6.0.

Σύμβολα

	Συμβουλευτείτε τις οδηγίες χρήσης		Είσοδος εναλλασσόμενου ρεύματος (κεντρικό δίκτυο)
	Προειδοποίηση, ηλεκτρισμός Για τη μείωση του κινδύνου ηλεκτροπληξίας, μην αφαιρείτε το κάλυμμα. Αναθέστε το σέρβις σε καταρτισμένο προσωπικό του τμήματος σέρβις.		Έξοδος εναλλασσόμενου ρεύματος (RF)
	Σειριακός αριθμός		Αναμονή, ισχύς
	Εξουσιοδοτημένος αντιπρόσωπος στην Ευρωπαϊκή Κοινότητα		Όριο θερμοκρασίας
	Αριθμός καταλόγου, επαναληπτικής παραγγελίας ή αναφοράς		Όριο υγρασίας
	Ιατροτεχνολογικό προϊόν		Περιορισμός ατμοσφαιρικής πίεσης
	Κατασκευαστής που αναφέρεται στο μητρώο		Διατηρείτε στεγνό
	Ημερομηνία κατασκευής		Ταξινομείται όσον αφορά τους κινδύνους ηλεκτροπληξίας, πυρκαγιάς και τους μηχανικούς κινδύνους μόνο σύμφωνα με το πρότυπο IEC 60601-1 και το πρότυπο CAN/CSA C22.2 αρ. 601.1.
	Η γεννήτρια προορίζεται για εφαρμοζόμενο εξάρτημα τύπου CF		Συμμορφώνεται με τις απαιτήσεις της FCC, μέρος 15.
	Ισοδυναμικότητα		Ρύθμιση έντασης ήχου για τόνους ενεργοποίησης, δεξιόστροφα αύξηση έντασης ήχου
	Ασφάλεια		Ο εξοπλισμός δεν πρέπει να απορρίπτεται στα σκουπίδια

Ταξινομήσεις

Εξοπλισμός κατηγορίας I (IEC 60601-1)

Τα προσβάσιμα αγωγίμα μέρη δεν μπορούν να ηλεκτριστούν σε περίπτωση βασικής αστοχίας της μόνωσης λόγω του τρόπου με τον οποίο συνδέονται στον προστατευτικό αγωγό γείωσης.

Ηλεκτρομαγνητική συμβατότητα (IEC 60601-1-2)

Αυτό το τεχνολογικό προϊόν συμμορφώνεται με το τμήμα 15 των Κανονισμών FCC. Η λειτουργία υπόκειται στις παρακάτω δύο προϋποθέσεις:

- (1) Αυτό το τεχνολογικό προϊόν δεν μπορεί να προκαλέσει επιβλαβείς παρεμβολές και
- (2) Αυτό το τεχνολογικό προϊόν πρέπει να δέχεται οποιαδήποτε παρεμβολή που λαμβάνεται, συμπεριλαμβανομένης της παρεμβολής που ενδέχεται να προκαλέσει ανεπιθύμητη λειτουργία.

Εξοπλισμός τύπου CF (IEC 60601-1)

Αυτή η γεννήτρια παρέχει υψηλό βαθμό προστασίας από ηλεκτροπληξία, ειδικά όσον αφορά τα επιτρεπόμενα ρεύματα διαρροής. Η έξοδος είναι μονωμένη (επιπλεύουσα) τύπου CF και μπορεί να χρησιμοποιηθεί για διαδικασίες που περιλαμβάνουν την καρδιά.

Εισχώρηση/έκχυση υγρών IP XX (IEC 60601-1 και IEC 60601-2-2)

Η γεννήτρια CoolSeal™ είναι κατασκευασμένη έτσι ώστε το υγρό που διαρρέει κατά τη συνήθη χρήση να μη διαβρέχει την ηλεκτρική μόνωση ή άλλα εξαρτήματα τα οποία, όταν διαβρέχονται, είναι πιθανό να επηρεάσουν αρνητικά την ασφάλεια του εξοπλισμού.

Μεταβάσματα τάσης – Μεταφορά ηλεκτρικού δικτύου (IEC60601-1 και IEC 60601-2-2)

Η γεννήτρια CoolSeal™ συνεχίζει να λειτουργεί κανονικά χωρίς σφάλματα ή αστοχίες συστήματος όταν γίνεται μεταφορά μεταξύ της γραμμής εναλλασσόμενου ρεύματος και μιας πηγής τάσης πλατφόρμας ενέργειας έκτακτης ανάγκης. (IEC 60601-1-2)

Ηλεκτρομαγνητική συμβατότητα (IEC 60601-1-2 και IEC60601-2-2)

Η γεννήτρια CoolSeal™ συμμορφώνεται με τις αντίστοιχες προδιαγραφές IEC 60601-1-2 και 60601-2-2 σχετικά με την ηλεκτρομαγνητική συμβατότητα.

Προειδοποίηση

Η χρήση αυτού του εξοπλισμού δίπλα ή σε στοίβαξη με άλλον εξοπλισμό θα πρέπει να αποφεύγεται, επειδή θα μπορούσε να οδηγήσει σε ακατάλληλη λειτουργία. Εάν αυτή η χρήση είναι απαραίτητη, ο εξοπλισμός αυτός και ο άλλος εξοπλισμός θα πρέπει να παρακολουθούνται ώστε να επιβεβαιώνεται ότι λειτουργούν κανονικά.

Ο φορητός εξοπλισμός επικοινωνίας με ραδιοσυχνότητες (συμπεριλαμβανομένων περιφερειακών συσκευών, όπως καλώδια κεραιών και εξωτερικές κεραίες) δεν θα πρέπει να χρησιμοποιείται σε απόσταση μικρότερη από 30 cm (12 ίντσες) από οποιοδήποτε τμήμα της γεννήτριας CoolSeal™, συμπεριλαμβανομένων των καλωδίων που καθορίζονται από την Bolder Surgical. Διαφορετικά, θα μπορούσε να προκληθεί υποβάθμιση της απόδοσης αυτού του εξοπλισμού.

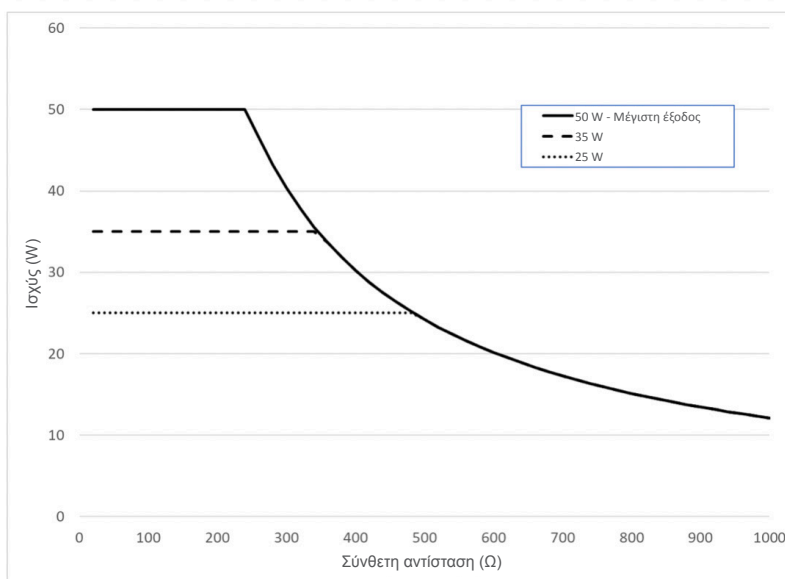
Χαρακτηριστικά εξόδου

Μέγιστη έξοδος για τη γεννήτρια CoolSeal™

Οι ενδείξεις ισχύος συμφωνούν με την πραγματική ισχύ σε ονομαστικό φορτίο εντός 20% ή 5 Watt, όποιο είναι μεγαλύτερο.

Μέγιστη τάση ανοικτού κυκλώματος (μέγ.)	Ονομαστικό φορτίο	Ονομαστική ισχύς εξόδου (μέγ.)	Παράγοντας κορυφής	Κύκλος λειτουργίας κυματομορφής
190 V	20 Ω	50 W	1,9	100%

Γράφημα ισχύος εξόδου έναντι σύνθετης αντίστασης



Ηλεκτρομαγνητική ατρωσία

Οδηγίες και δήλωση του κατασκευαστή - Ηλεκτρομαγνητικές εκπομπές

Η γεννήτρια CoolSeal™ προορίζεται για χρήση στο ηλεκτρομαγνητικό περιβάλλον που καθορίζεται παρακάτω. Ο πελάτης ή ο χρήστης της γεννήτριας CoolSeal™ θα πρέπει να διασφαλίσει ότι χρησιμοποιείται σε τέτοιου είδους περιβάλλον.

Εκπομπές ραδιοσυχνοτήτων κατά CISPR 11	Ομάδα 2	Η γεννήτρια CoolSeal™ πρέπει να εκπέμψει ηλεκτρομαγνητική ενέργεια για να πραγματοποιήσει τη λειτουργία για την οποία προορίζεται. Ο παρακείμενος ηλεκτρονικός εξοπλισμός μπορεί να επηρεαστεί.
Αγόμενες εκπομπές EN 55011:2009+A1:2010, CISPR 11:2009+A1:2010	Κατηγορία A	
Ακτινοβολούμενες εκπομπές EN 55011:2009+A1:2010, CISPR 11:2009+A1:2010	Κατηγορία A	Η γεννήτρια CoolSeal™ είναι κατάλληλη για χρήση σε όλες τις εγκαταστάσεις, εκτός των οικιακών εγκαταστάσεων και εκείνων που συνδέονται απευθείας με το δημόσιο δίκτυο παροχής ρεύματος χαμηλής τάσης, το οποίο τροφοδοτεί τα κτίρια που χρησιμοποιούνται για οικιακούς σκοπούς.
Αρμονικές εκπομπές IEC/EN 61000-3-2:2014	Τεχνολογικό προϊόν κατηγορίας A	
Διακυμάνσεις τάσης/εκπομπές σπινθηρισμού IEC/EN 61000-3-3:2013	Σύμφωνα με τον όρο 5 του προτύπου	

Η βασική ασφάλεια σύμφωνα με το πρότυπο IEC 60601-1 είναι η απαίτηση απόδοσης που χρησιμοποιείται κατά τη δοκιμή ατρωσίας. Η ουσιαστική απόδοση δεν ισχύει.

Ειδοποίηση

Τα χαρακτηριστικά ΕΚΠΟΜΠΩΝ αυτού του εξοπλισμού τον καθιστούν κατάλληλο για χρήση σε βιομηχανικούς χώρους και νοσοκομεία (CISPR 11 κατηγορίας A). Εάν χρησιμοποιηθεί σε οικιακό περιβάλλον (για το οποίο απαιτείται συνήθως CISPR 11 κατηγορίας B), αυτός ο εξοπλισμός ενδέχεται να μην παρέχει επαρκή προστασία έναντι υπηρεσιών επικοινωνιών με ραδιοσυχνότητες. Ο χρήστης μπορεί να λάβει μέτρα μετριασμού, όπως αλλαγή θέσης ή προσανατολισμού του εξοπλισμού.

Καθοδήγηση και δήλωση του κατασκευαστή - Ηλεκτρομαγνητική ατρωσία

Η γεννήτρια CoolSeal™ προορίζεται για χρήση στο ηλεκτρομαγνητικό περιβάλλον που καθορίζεται παρακάτω. Ο πελάτης ή ο χρήστης της γεννήτριας CoolSeal™ θα πρέπει να διασφαλίσει ότι χρησιμοποιείται σε τέτοιου είδους περιβάλλον.

Έλεγχος ατρωσίας	Επίπεδο ελέγχου κατά IEC 60601	± Επίπεδο συμμόρφωσης	Ηλεκτρομαγνητικό περιβάλλον - Οδηγίες
Ηλεκτροστατική εκφόρτιση σύμφωνα με το πρότυπο IEC/EN 61000-4-2	± 8 kV εκφόρτιση επαφής ± 2, 4, 8 και 15 kV εκφόρτιση στον αέρα	± 8 kV εκφόρτιση επαφής ± 2, 4, 8 και 15 kV εκφόρτιση στον αέρα	Τα δάπεδα πρέπει να είναι κατασκευασμένα από ξύλο, μπετόν ή κεραμικό πλακάκι. Εάν τα δάπεδα καλύπτονται με συνθετικό υλικό, η σχετική υγρασία θα πρέπει να είναι τουλάχιστον 30%.
Ακτινοβολούμενη ατρωσία IEC 61000-4-3:2006 + A1:2008 +A2:2010	80 MHz - 6 GHz 3 V/m 80% στο 1 kHz 28 V/m διακριτή συχνότητα 385 MHz – Διαμόρφωση παλμού 2,7 GHz	80 MHz - 6 GHz 3 V/m 80% στο 1 kHz 28 V/m διακριτή συχνότητα 385 MHz – Διαμόρφωση παλμού 2,7 GHz	Δεν θα πρέπει να χρησιμοποιείται φορητός και κινητός εξοπλισμός επικοινωνίας με ραδιοσυχνότητες σε μικρότερη απόσταση από οποιοδήποτε τμήμα της γεννήτριας CoolSeal™, συμπεριλαμβανομένων των καλωδίων, από τη συνιστώμενη απόσταση διαχωρισμού, όπως αυτή υπολογίζεται από την εξίσωση που ισχύει για τη συχνότητα του πομπού.
Πεδίο εγγύτητας από ασύρματο εξοπλισμό επικοινωνίας με ραδιοσυχνότητες IEC 61000-4-3	Σύμφωνα με τον Πίνακα 9 του προτύπου IEC 60601-1-2	Δείτε τον πίνακα στην επόμενη σελίδα των ευρών συχνοτήτων και των συνθηκών ελέγχου για τον ασύρματο εξοπλισμό επικοινωνιών RF	Συνιστώμενη απόσταση διαχωρισμού $d = [2]^{1/P}$ όπου P είναι η ονομαστική τιμή μέγιστης ισχύος εξόδου του πομπού σε Watt (W) σύμφωνα με τον κατασκευαστή του πομπού και d είναι η συνιστώμενη απόσταση διαχωρισμού σε μέτρα (m). Η τιμή έντασης πεδίου από σταθερούς πομπούς ραδιοσυχνοτήτων, όπως προσδιορίζεται βάσει επιτόπιας ηλεκτρομαγνητικής μελέτης, ^a πρέπει να είναι μικρότερη από το επίπεδο συμμόρφωσης σε κάθε εύρος συχνοτήτων ^b .
Ατρωσία δι' αγωγής (Τροφοδοσία εναλλασσόμενου ρεύματος) (Γραμμές I/O) IEC/EN 61000-4-6	0,15 - 80 MHz 3 Vrms και 6 Vrms σε ζώνη ISM 1 kHz Κεντρική τροφοδοσία εναλλασσόμενου ρεύματος	0,15 - 80 MHz 3 Vrms και 6 Vrms σε ζώνη ISM 1 kHz Κεντρική τροφοδοσία εναλλασσόμενου ρεύματος	Οι ζώνες ISM (βιομηχανικές, επιστημονικές και ιατρικές) μεταξύ 0,15 MHz και 80 MHz είναι 6.765 MHz έως 6.795 MHz, 13.553 MHz έως 13.567 MHz, 26.957 MHz έως 27.283 MHz και 40.66 MHz έως 40.70 MHz.
Ηλεκτρικά ταχεία μεταβάσματα (Τροφοδοσία εναλλασσόμενου ρεύματος) IEC/EN 61000-4-4	± 2 kV κεντρική τροφοδοσία AC ± 1 kV - γραμμές εισόδου/εξόδου 5/50 5 kHz και 100kHz	± 2 kV κεντρική τροφοδοσία AC ± 1 kV - γραμμές εισόδου/εξόδου 5/50 5 kHz και 100kHz	Η ποιότητα του ρεύματος τροφοδοσίας θα πρέπει να είναι κατάλληλη για τις συνθήκες επαγγελματικές ή νοσοκομειακές εγκαταστάσεις.
Υπέρταση από γραμμή σε γραμμή (Τροφοδοσία εναλλασσόμενου ρεύματος) IEC/EN 61000-4-5	± 1 kV Γραμμή σε γραμμή Γραμμή σε γείωση	± 1 kV Γραμμή σε γραμμή Γραμμή σε γείωση	Η ποιότητα του ρεύματος τροφοδοσίας θα πρέπει να είναι κατάλληλη για τις συνθήκες επαγγελματικές ή νοσοκομειακές εγκαταστάσεις.

Μαγνητική ατρωσία IEC/EN-61000-4-8	30 A/m 50/60 Hz	30 A/m 50/60 Hz	Τα μαγνητικά πεδία συχνότητας ισχύος πρέπει να είναι στα χαρακτηριστικά επίπεδα μιας τυπικής θέσης σε ένα τυπικό επαγγελματικό ή νοσοκομειακό περιβάλλον.
Πτώσεις και διακοπές τάσης IEC/EN 61000-4-11	0% UT, 0,5 κύκλος 0% UT, 1 κύκλος 70% UT, 25 κύκλοι 0% UT, 5 δευτ.	0% UT, 0,5 κύκλος 0% UT, 1 κύκλος 70% UT, 25 κύκλοι 0% UT, 5 δευτ.	Εάν ο χρήστης της γεννήτριας CoolSeal™ χρειάζεται συνεχή λειτουργία κατά τη διάρκεια των διακοπών ρεύματος δικτύου, συνιστάται η τροφοδοσία της γεννήτριας CoolSeal από τροφοδοτικό αδιάλειπτης παροχής ρεύματος (UPS) ή από μπαταρία.

ΣΗΜΕΙΩΣΗ Αυτές οι οδηγίες ενδέχεται να μην ισχύουν υπό όλες τις συνθήκες. Η διάδοση της ηλεκτρομαγνητικής ακτινοβολίας επηρεάζεται από την απορρόφηση και την ανάκλαση από δομές, αντικείμενα και άτομα.

^αΟι τιμές έντασης πεδίου από σταθερούς πομπούς, όπως οι σταθμοί βάσης για ραδιοπομπούς, τα τηλέφωνα (κινητά και ασύρματα) και οι κινητοί ραδιοπομποί ξηράς, οι ερασιτεχνικοί ραδιοφωνικοί σταθμοί, οι ραδιοφωνικές εκπομπές AM και FM και οι τηλεοπτικές μεταδόσεις, δεν μπορούν να προβλεφθούν θεωρητικά με ακρίβεια. Για την εκτίμηση του ηλεκτρομαγνητικού περιβάλλοντος από σταθερούς πομπούς ραδιοσυχνοτήτων, θα πρέπει να εξεταστεί το ενδεχόμενο διεξαγωγής μιας επιτόπιας ηλεκτρομαγνητικής μελέτης. Εάν η μετρούμενη ένταση πεδίου στη θέση στην οποία χρησιμοποιείται η γεννήτρια CoolSeal™ υπερβαίνει το ισχύον επίπεδο συμμόρφωσης ραδιοσυχνοτήτων που αναφέρεται παραπάνω, η γεννήτρια CoolSeal™ θα πρέπει να τεθεί υπό παρακολούθηση για την επαλήθευση της κανονικής λειτουργίας της. Εάν παρατηρηθεί μη φυσιολογική απόδοση, ενδέχεται να χρειαστεί η λήψη πρόσθετων μέτρων, όπως επαναπροσανατολισμός ή αλλαγή της θέσης της γεννήτριας CoolSeal™.

^βΣτο εύρος συχνοτήτων 150 kHz έως 80 MHz, οι τιμές έντασης πεδίου θα πρέπει να είναι μικρότερες από 3 V/m.

Καθοδήγηση και δήλωση του κατασκευαστή - Ηλεκτρομαγνητική ατρωσία			
Εύρη συχνοτήτων και συνθήκες ελέγχου για ασύρματο εξοπλισμό επικοινωνιών ραδιοσυχνοτήτων			
Ζώνη συχνοτήτων (MHz)	Συχνότητα ελέγχου (MHz)	Διαμόρφωση^α	Επίπεδο συμμόρφωσης (V/m)
380 - 390	380 - 390	Παλμός – 18 Hz	27
430 - 470	450	FM ± 5 kHz απόκλιση 1 kHz ημιτονοειδές	28
704 - 787	710	Παλμός – 217 Hz	9
	745		
	780		
800 - 960	810	Παλμός – 18 Hz	28
	870		
	930		
1700 - 1990	1720	Παλμός – 217 Hz	28
	1845		
	1970		
2400 - 2570	2450	Παλμός – 217 Hz	28
5100 - 5800	5240	Παλμός – 217 Hz	9
	5500		
	5785		

^αΗ διαμόρφωση παλμού ορίζεται ως είσοδος τετραγωνικού παλμού με κύκλο λειτουργίας 50% στη συχνότητα που παρατίθεται.

ΣΗΜΕΙΩΣΗ Ο φορητός εξοπλισμός επικοινωνίας με ραδιοσυχνότητες δεν θα πρέπει να χρησιμοποιείται σε απόσταση μικρότερη από 30 cm (12 ίντσες) από οποιοδήποτε τμήμα της γεννήτριας CoolSeal™, συμπεριλαμβανομένων των καλωδίων που καθορίζονται από την Bolder Surgical. Διαφορετικά, θα μπορούσε να προκληθεί υποβάθμιση της απόδοσης αυτού του εξοπλισμού.

Συνιστώμενες αποστάσεις διαχωρισμού μεταξύ του φορητού και κινητού εξοπλισμού επικοινωνίας με ραδιοσυχνότητες και της γεννήτριας CoolSeal™

Η γεννήτρια CoolSeal™ προορίζεται για χρήση σε ηλεκτρομαγνητικό περιβάλλον, στο οποίο οι διαταραχές λόγω ακτινοβολούμενων ραδιοσυχνοτήτων βρίσκονται υπό έλεγχο. Ο πελάτης ή ο χρήστης της γεννήτριας CoolSeal™ μπορεί να συμβάλει στην πρόληψη των ηλεκτρομαγνητικών παρεμβολών διατηρώντας μια ελάχιστη απόσταση μεταξύ του φορητού και κινητού εξοπλισμού επικοινωνίας με ραδιοσυχνότητες (πομποί) και της γεννήτριας CoolSeal™, όπως συνιστάται παρακάτω, ανάλογα με τη μέγιστη ισχύ εξόδου του εξοπλισμού επικοινωνίας.

Ονομαστική μέγιστη ισχύς εξόδου του πομπού	Απόσταση διαχωρισμού από τον πομπό $d = [2] \sqrt{P}$
0,01	0,20
0,1	0,63
1	2,00
10	6,32
100	20,00

Για πομπούς με μέγιστη ονομαστική τιμή ισχύος εκπομπής διαφορετική από τις τιμές που παρατίθενται παραπάνω, η συνιστώμενη απόσταση διαχωρισμού d σε μέτρα (m) μπορεί να υπολογιστεί μέσω της εξίσωσης που ισχύει για τη συχνότητα του πομπού, όπου P είναι η μέγιστη ονομαστική τιμή ισχύος εκπομπής του πομπού σε Watt (W), σύμφωνα με τον κατασκευαστή του πομπού.

ΣΗΜΕΙΩΣΗ Αυτές οι οδηγίες ενδέχεται να μην ισχύουν υπό όλες τις συνθήκες. Η διάδοση της ηλεκτρομαγνητικής ακτινοβολίας επηρεάζεται από την απορρόφηση και την ανάκλαση από δομές, αντικείμενα και άτομα.

Παράρτημα Α – Περιοδικός έλεγχος λειτουργίας

Σκοπός του ελέγχου είναι να επιβεβαιωθεί η σωστή λειτουργία της γεννήτριας CoolSeal™. Συνιστάται η εκτέλεση αυτού του ελέγχου τουλάχιστον κάθε δύο χρόνια για να διασφαλιστεί η διατήρηση της σωστής λειτουργίας με την πάροδο του χρόνου. Ανατρέξτε στην ετικέτα ημερομηνίας τελευταίου ελέγχου για την τελευταία ημερομηνία ελέγχου λειτουργίας από την Bolder Surgical™. Αυτός ο έλεγχος μπορεί να χρησιμοποιηθεί πιο συχνά, όπως απαιτείται από τις πολιτικές του νοσοκομείου.

Προειδοποίηση

Μην ανοίγετε τη γεννήτρια CoolSeal™. Δεν υπάρχουν στοιχεία που μπορούν να επισκευαστούν μέσα στη θήκη. Απαιτούνται πρόσθετες δοκιμές για την επιβεβαίωση της ασφαλούς λειτουργίας μετά το άνοιγμα της θήκης. Αυτή η δοκιμή είναι διαθέσιμη μόνο στο κέντρο σέρβις της Bolder Surgical™. Σε αντίθετη περίπτωση μπορεί να προκληθεί αυξημένος κίνδυνος ηλεκτροπληξίας.

Ειδοποίηση

Η διεξαγωγή ελέγχου λειτουργίας CoolSeal™ πρέπει να πραγματοποιείται μόνο από εξειδικευμένα άτομα.

Σημαντικό

Παρακάτω παρέχεται μια προαιρετική φόρμα για την καταγραφή των αποτελεσμάτων του περιοδικού ελέγχου λειτουργίας.

Προειδοποίηση

Μην επιχειρήσετε να χρησιμοποιήσετε το καλώδιο ελέγχου λειτουργίας για οποιονδήποτε άλλο σκοπό εκτός από τα βήματα που περιγράφονται στο παρόν. Μη χρησιμοποιείτε κλινικά.

Ορισμοί:

UUT – Μονάδα υπό έλεγχο

ESA – Αναλυτής ηλεκτρικής ασφάλειας

ESuA – Ηλεκτροχειρουργικός αναλυτής

Απαιτούμενος εξοπλισμός:

UUT - Γεννήτρια CoolSeal™ – CSL-200-50

ESA - Αναλυτής ηλεκτρικής ασφάλειας Fluke, μοντέλο ESA612 (ή ισοδύναμο)

ESuA - Ηλεκτροχειρουργικός αναλυτής Fluke, μοντέλο QA-E SII, QA-ES III (ή ισοδύναμο)

Καλώδιο ελέγχου λειτουργίας – CSL-FTC

Χρονόμετρο

Κριτήρια επιτυχίας/αποτυχίας:

- Ακολουθήστε τα βήματα που περιγράφονται παρακάτω για να λάβετε το υποδεικνυόμενο αποτέλεσμα, επαναλάβετε εάν δεν ληφθεί αυτό το αποτέλεσμα.
- Επικοινωνήστε με την Bolder Surgical για να κανονίσετε το σέρβις, προκειμένου να επιλύσετε τυχόν αστοχίες ή ανωμαλίες.
- Μην επιχειρήσετε να επισκευάσετε τη γεννήτρια CoolSeal™.
- Εάν επιχειρήσετε να επισκευάσετε τη γεννήτρια CoolSeal™, θα παραβιαστεί η εγγύηση του προϊόντος.

Διαδικασία:

ΚΑΤΑΓΡΑΦΗ ΑΠΟΤΕΛΕΣΜΑΤΩΝ:

1. Μπορείτε να καταγράψετε τα αποτελέσματα των παρακάτω ελέγχων σε ένα αντίγραφο του συνημμένου αρχείου καταγραφής. Μετά από κάθε βήμα παρακάτω, καταγράψτε το αποτέλεσμα στην αντίστοιχη ενότητα, όπως υποδεικνύεται από το **<RECORD RESULTS> (ΚΑΤΑΓΡΑΨΤΕ ΤΑ ΑΠΟΤΕΛΕΣΜΑΤΑ)**. Καταγράψτε τις αριθμητικές τιμές όπου υποδεικνύεται και κυκλώστε το **P** για επιτυχία ή το **F** για αποτυχία.

ΕΠΙΘΕΩΡΗΣΗ:

1. Επιθεωρήστε τη μονάδα για εξωτερική ζημιά ή εξαρτήματα που λείπουν, δεν θα πρέπει να εντοπίσετε εξαρτήματα που έχουν υποστεί ζημιά ή που λείπουν. **<RECORD RESULTS> (ΚΑΤΑΓΡΑΨΤΕ ΤΑ ΑΠΟΤΕΛΕΣΜΑΤΑ)**
2. Επιθεωρήστε το καλώδιο ρεύματος για τυχόν ζημιά, δεν θα πρέπει να εντοπίσετε καμία ζημιά. **<RECORD RESULTS> (ΚΑΤΑΓΡΑΨΤΕ ΤΑ ΑΠΟΤΕΛΕΣΜΑΤΑ)**

ΕΝΔΕΙΚΤΙΚΕΣ ΛΥΧΝΙΕΣ ΚΑΙ ΕΝΔΕΙΞΕΙΣ ΗΧΟΥ:

1. Ενεργοποιήστε τη μονάδα UUT και πατήστε το κουμπί λειτουργίας. Το κουμπί λειτουργίας θα πρέπει να ανάψει με ΠΡΑΣΙΝΟ χρώμα και θα πρέπει να ακουστεί μια ακολουθία τριών (3) τόνων. Ο ΚΟΚΚΙΝΟΣ φωτισμός του κουμπιού λειτουργίας υποδεικνύει αστοχία της εσωτερικής δοκιμής κατά την εκκίνηση. **<RECORD RESULTS> (ΚΑΤΑΓΡΑΨΤΕ ΤΑ ΑΠΟΤΕΛΕΣΜΑΤΑ)**
2. Εισαγάγετε το καλώδιο ελέγχου λειτουργίας στην υποδοχή του οργάνου. Η οθόνη της υποδοχής του οργάνου θα πρέπει να ανάψει με λευκό χρώμα. **<RECORD RESULTS> (ΚΑΤΑΓΡΑΨΤΕ ΤΑ ΑΠΟΤΕΛΕΣΜΑΤΑ)**
3. Απενεργοποιήστε την τροφοδοσία στο UUT. Πατήστε και κρατήστε πατημένο το κουμπί ενεργοποίησης. Ενεργοποιήστε την παροχή ρεύματος κρατώντας πατημένο το κουμπί ενεργοποίησης. Το κουμπί λειτουργίας θα ανάψει με ΠΡΑΣΙΝΟ χρώμα και θα πρέπει να ακουστεί μια ακολουθία τριών (3) ηχητικών σημάτων, ακολουθούμενη από ένα δεύτερο ηχητικό σήμα, και στη συνέχεια η οθόνη της υποδοχής του οργάνου θα αναβοσβήνει με ΠΟΡΤΟΚΑΛΙ χρώμα. **<RECORD RESULTS> (ΚΑΤΑΓΡΑΨΤΕ ΤΑ ΑΠΟΤΕΛΕΣΜΑΤΑ)**
4. Αφαιρέστε το καλώδιο ελέγχου λειτουργίας και απενεργοποιήστε τη μονάδα UUT και στη συνέχεια ενεργοποιήστε την ξανά. Το κουμπί λειτουργίας θα πρέπει να είναι ΠΡΑΣΙΝΟ. Ενώ πατάτε και κρατάτε πατημένο το κουμπί ενεργοποίησης στο καλώδιο ελέγχου λειτουργίας, εισαγάγετε το καλώδιο ελέγχου λειτουργίας στην υποδοχή του οργάνου. Θα ακουστεί ένα μονό ηχητικό σήμα και στη συνέχεια η οθόνη της υποδοχής του οργάνου θα αναβοσβήνει με ΠΟΡΤΟΚΑΛΙ χρώμα. **<RECORD RESULTS> (ΚΑΤΑΓΡΑΨΤΕ ΤΑ ΑΠΟΤΕΛΕΣΜΑΤΑ)**
5. Απενεργοποιήστε τον UUT και στη συνέχεια ενεργοποιήστε τον ξανά για να κάνετε επαναφορά από το προηγούμενο βήμα. Θέστε τον διακόπτη στο καλώδιο ελέγχου λειτουργίας στη θέση «Open» (Ανοιχτό) και πατήστε και κρατήστε πατημένο το κουμπί ενεργοποίησης. Η οθόνη ενεργοποίησης θα εμφανιστεί στιγμιαία με χρώμα ΦΟΥΞΙΑ και θα ξεκινήσει τον τόνο σφράγισης, ακολουθούμενη από μια ΠΟΡΤΟΚΑΛΙ ένδειξη περίπου 1 δευτερολέπτου και την ειδοποίηση επανασύλληψης 3 τόνων. Αυτό μπορεί να ακούγεται σαν 4 τόνοι. **<RECORD RESULTS> (ΚΑΤΑΓΡΑΨΤΕ ΤΑ ΑΠΟΤΕΛΕΣΜΑΤΑ)**
6. Θέστε τον διακόπτη στο καλώδιο ελέγχου λειτουργίας στη θέση «Short» (Βραχυκύκλωμα). Πατήστε και κρατήστε πατημένο το κουμπί ενεργοποίησης και επιβεβαιώστε ότι η οθόνη ενεργοποίησης είναι φωτισμένη με ΦΟΥΞΙΑ χρώμα και σε ένταση που κυμαίνεται από την απενεργοποίηση στην πλήρη ένταση με τον τόνο σφράγισης. Θα ακολουθήσει μια ΠΟΡΤΟΚΑΛΙ οθόνη ενεργοποίησης και μια ειδοποίηση 3 τόνων. **<RECORD RESULTS> (ΚΑΤΑΓΡΑΨΤΕ ΤΑ ΑΠΟΤΕΛΕΣΜΑΤΑ)**
7. Με τον διακόπτη του καλωδίου ελέγχου λειτουργίας ακόμα στη θέση «Short» (Βραχυκύκλωμα), προετοιμαστείτε για να συγχρονίσετε το χρονόμετρο από το πάτημα του κουμπιού ενεργοποίησης μέχρι να εμφανιστεί η ΠΟΡΤΟΚΑΛΙ οθόνη. Πατήστε το κουμπί ενεργοποίησης, χρονίζοντας τη φάση ΦΟΥΞΙΑ (στεγανοποίηση). **<RECORD RESULTS> (ΚΑΤΑΓΡΑΨΤΕ ΤΑ ΑΠΟΤΕΛΕΣΜΑΤΑ)**
8. Με τον διακόπτη του καλωδίου ελέγχου λειτουργίας ακόμα στη θέση «Short» (Βραχυκύκλωμα), προετοιμάστε να στρέψετε το κουμπί έντασης κατά τη διάρκεια της φάσης ΦΟΥΞΙΑ (φάση σφράγισης). Πατήστε το κουμπί ενεργοποίησης, στρέψτε το κουμπί έντασης ήχου σε κάθε άκρο, επιβεβαιώνοντας ότι η ένταση θα αλλάξει μεταξύ ελάχιστου και μέγιστου επιπέδου. **<RECORD RESULTS> (ΚΑΤΑΓΡΑΨΤΕ ΤΑ ΑΠΟΤΕΛΕΣΜΑΤΑ)**
9. Αφαιρέστε το δοκιμαστικό καλώδιο, απενεργοποιήστε και αποσυνδέστε το UUT.

ΔΟΚΙΜΗ ΣΥΝΕΧΕΙΑΣ ΓΕΙΩΣΗΣ:

1. Ενεργοποίηση του ESA
2. Συνδέστε το καλώδιο τροφοδοσίας από τη μονάδα UUT στον ESA
3. Συνδέστε το δοκιμαστικό καλώδιο στην υποδοχή V/Ω/A του ESA για να μετρήσετε τα Ohm (Ω).
4. Συνδέστε το δοκιμαστικό καλώδιο στον στύλο γείωσης/μηδενικό στύλο του ESA.
5. Βεβαιωθείτε ότι ο ESA μετρά την αντίσταση (Ω)
6. Μηδενίστε τον ESA.
7. Συνδέστε το δοκιμαστικό καλώδιο στον ισοδυναμικό σύνδεσμο UUT.
8. Καταγράψτε την τιμή αντίστασης που παρατηρείται μέσω του καλωδίου τροφοδοσίας και του UUT. **<RECORD RESULTS> (ΚΑΤΑΓΡΑΨΤΕ ΤΑ ΑΠΟΤΕΛΕΣΜΑΤΑ)**
9. Αποσυνδέστε τη μονάδα UUT από τον ESA, απενεργοποιήστε τον ESA.

ΔΟΚΙΜΗ ΔΙΑΡΡΟΗΣ ΩΣ ΠΡΟΣ ΓΕΙΩΣΗ

1. Ενεργοποιήστε τον ESA.
2. Συνδέστε το καλώδιο τροφοδοσίας από τη μονάδα UUT στον ESA.
3. Εισαγάγετε το καλώδιο ελέγχου λειτουργίας στην υποδοχή του οργάνου.
4. Ρυθμίστε το καλώδιο ελέγχου λειτουργίας σε κανονική λειτουργία, στοιβάξτε τους ΚΟΚΚΙΝΟΥΣ και ΜΑΥΡΟΥΣ συνδέσμους «μπανάνας»
5. Εισαγάγετε τους στοιβαγμένους συνδέσμους στη θύρα RA/R (αντίσταση) του ESA
6. Χρησιμοποιώντας τη ρύθμιση Micro Amp (Μικροαμπέρ) (μA) και EARTH (ΓΕΙΩΣΗ), εκτελέστε τις ακόλουθες σειρές εξετάσεων.
7. Κανονική/Κλειστή **<RECORD RESULTS> (ΚΑΤΑΓΡΑΨΤΕ ΤΑ ΑΠΟΤΕΛΕΣΜΑΤΑ)**
8. Κανονική/Ανοικτή **<RECORD RESULTS> (ΚΑΤΑΓΡΑΨΤΕ ΤΑ ΑΠΟΤΕΛΕΣΜΑΤΑ)**
9. Αντιστροφή/Ανοίγμα **<RECORD RESULTS> (ΚΑΤΑΓΡΑΨΤΕ ΤΑ ΑΠΟΤΕΛΕΣΜΑΤΑ)**
10. Αντιστροφή/Κλείσιμο **<RECORD RESULTS> (ΚΑΤΑΓΡΑΨΤΕ ΤΑ ΑΠΟΤΕΛΕΣΜΑΤΑ)**
11. Αφαιρέστε το καλώδιο ελέγχου λειτουργίας και επαναλάβετε την παραπάνω σειρά ελέγχων.
12. Κανονική/Κλειστή **<RECORD RESULTS> (ΚΑΤΑΓΡΑΨΤΕ ΤΑ ΑΠΟΤΕΛΕΣΜΑΤΑ)**
13. Κανονική/Ανοικτή **<RECORD RESULTS> (ΚΑΤΑΓΡΑΨΤΕ ΤΑ ΑΠΟΤΕΛΕΣΜΑΤΑ)**
14. Αντιστροφή/Ανοίγμα **<RECORD RESULTS> (ΚΑΤΑΓΡΑΨΤΕ ΤΑ ΑΠΟΤΕΛΕΣΜΑΤΑ)**
15. Αντιστροφή/Κλείσιμο **<RECORD RESULTS> (ΚΑΤΑΓΡΑΨΤΕ ΤΑ ΑΠΟΤΕΛΕΣΜΑΤΑ)**
16. Αποσυνδέστε τη μονάδα UUT από τον ESA, απενεργοποιήστε τον ESA.

ΣΥΣΚΕΥΗ ΕΛΕΓΧΟΥ ΣΥΝΘΕΤΗΣ ΑΝΤΙΣΤΑΣΗΣ

1. Ενεργοποίηση του ESuA
2. Ενεργοποιήστε τη μονάδα UUT
3. Θέστε τον διακόπτη καλωδίου ελέγχου λειτουργίας στην κανονική λειτουργία
4. Συνδέστε το ΚΟΚΚΙΝΟ και το ΜΑΥΡΟ καλώδιο ελέγχου λειτουργίας στις αντίστοιχες υποδοχές ΦΟΡΤΙΟΥ ESuA VAR.
5. Εισαγάγετε το καλώδιο ελέγχου λειτουργίας στον UUT
6. Επιβεβαιώστε ότι το κουμπί λειτουργίας είναι ΠΡΑΣΙΝΟ και η οθόνη της υποδοχής του οργάνου είναι ΛΕΥΚΗ πριν συνεχίσετε.

Σημαντικό

Η γεννήτρια CoolSeal™ ελέγχει μια σειρά εξόδων ισχύος. Η πρώτη ενεργοποίηση είναι σε έξοδο ισχύος 25 Watt, η δεύτερη ενεργοποίηση είναι σε έξοδο ισχύος 35 Watt και η τρίτη ενεργοποίηση είναι σε έξοδο ισχύος 50 Watt. Η τέταρτη ενεργοποίηση ξεκινά ξανά αυτή την ακολουθία. Για να επανεκκινήσετε την ακολουθία από ένα γνωστό σημείο εκκίνησης, απλά αποσυνδέστε το καλώδιο ελέγχου λειτουργίας και επανεισαγάγετέ το.

Σημαντικό

Κατά τη χρήση του καλωδίου ελέγχου λειτουργίας, η γεννήτρια CoolSeal™ θα θέσει τη μονάδα σε κατάσταση αστοχίας εάν το φορτίο αντίστασης αλλάξει σημαντικά. Αυτό είναι απίθανο να συμβεί κατά τη διάρκεια του ελέγχου λειτουργίας, αλλά εάν συμβεί αυτό, απλά απενεργοποιήστε και ενεργοποιήστε ξανά τη μονάδα για επαναφορά της μονάδας.

7. Ρυθμίστε το φορτίο του ESuA στα 25 Ohm.
8. Ξεκινήστε τη δοκιμή στο ESuA.
9. Πατήστε και κρατήστε πατημένο το κουμπί ενεργοποίησης.
10. Στα 25 Ohm, παρατηρήστε τη μέγιστη ένδειξη ισχύος στα 25 Watt. **<RECORD RESULTS> (ΚΑΤΑΓΡΑΨΤΕ ΤΑ ΑΠΟΤΕΛΕΣΜΑΤΑ)**
11. Πατήστε και κρατήστε πατημένο το κουμπί ενεργοποίησης.
12. Στα 25 Ohm, παρατηρήστε τη μέγιστη ένδειξη ισχύος στα 35 Watt. **<RECORD RESULTS> (ΚΑΤΑΓΡΑΨΤΕ ΤΑ ΑΠΟΤΕΛΕΣΜΑΤΑ)**
13. Πατήστε και κρατήστε πατημένο το κουμπί ενεργοποίησης.
14. Στα 25 Ohm, παρατηρήστε τη μέγιστη ένδειξη ισχύος στα 50 Watt. **<RECORD RESULTS> (ΚΑΤΑΓΡΑΨΤΕ ΤΑ ΑΠΟΤΕΛΕΣΜΑΤΑ)**
15. Σταματήστε τη δοκιμασία στο ESuA.
16. Ρυθμίστε το φορτίο του ESuA στα 50 Ohm
17. Ξεκινήστε τη δοκιμή στο ESuA.
18. Πατήστε και κρατήστε πατημένο το κουμπί ενεργοποίησης.
19. Στα 50 Ohm, παρατηρήστε τη μέγιστη ένδειξη ισχύος στα 25 Watt. **<RECORD RESULTS> (ΚΑΤΑΓΡΑΨΤΕ ΤΑ ΑΠΟΤΕΛΕΣΜΑΤΑ)**
20. Πατήστε και κρατήστε πατημένο το κουμπί ενεργοποίησης.
21. Στα 50 Ohm, παρατηρήστε τη μέγιστη ένδειξη ισχύος στα 35 Watt. **<RECORD RESULTS> (ΚΑΤΑΓΡΑΨΤΕ ΤΑ ΑΠΟΤΕΛΕΣΜΑΤΑ)**
22. Πατήστε και κρατήστε πατημένο το κουμπί ενεργοποίησης.
23. Στα 50 Ohm, παρατηρήστε τη μέγιστη ένδειξη ισχύος στα 50 Watt. **<RECORD RESULTS> (ΚΑΤΑΓΡΑΨΤΕ ΤΑ ΑΠΟΤΕΛΕΣΜΑΤΑ)**
24. Σταματήστε τη δοκιμασία στο ESuA.
25. Ρυθμίστε το φορτίο του ESuA στα 225 Ohm
26. Ξεκινήστε τη δοκιμή στο ESuA.
27. Πατήστε και κρατήστε πατημένο το κουμπί ενεργοποίησης.
28. Στα 225 Ohm, παρατηρήστε τη μέγιστη ένδειξη ισχύος στα 25 Watt. **<RECORD RESULTS> (ΚΑΤΑΓΡΑΨΤΕ ΤΑ ΑΠΟΤΕΛΕΣΜΑΤΑ)**
29. Πατήστε και κρατήστε πατημένο το κουμπί ενεργοποίησης.
30. Στα 225 Ohm, παρατηρήστε τη μέγιστη ένδειξη ισχύος στα 35 Watt. **<RECORD RESULTS> (ΚΑΤΑΓΡΑΨΤΕ ΤΑ ΑΠΟΤΕΛΕΣΜΑΤΑ)**
31. Πατήστε και κρατήστε πατημένο το κουμπί ενεργοποίησης.
32. Στα 225 Ohm, παρατηρήστε τη μέγιστη ένδειξη ισχύος στα 50 Watt. **<RECORD RESULTS> (ΚΑΤΑΓΡΑΨΤΕ ΤΑ ΑΠΟΤΕΛΕΣΜΑΤΑ)**
33. Σταματήστε τη δοκιμασία στο ESuA.
34. Απενεργοποιήστε τα πάντα και αποσυνδέστε τη μονάδα UUT από τον εξοπλισμό δοκιμής.

Φόρμα σύνοψης περιοδικού ελέγχου λειτουργίας

Φόρμα σύνοψης περιοδικού ελέγχου λειτουργίας Σελίδα 1/2

Αριθμός σειράς γεννήτριας: _____

Βήμα	ΔΟΚΙΜΗ	ΑΠΑΙΤΗΣΗ	Καταγραφή τιμών	Κύκλος επιτυχίας/ αποτυχίας
Επιθεώρηση				
1	Επιθεώρηση εξωτερικού της μονάδας	Καμία ζημιά		P / F
2	Καλώδιο ρεύματος	Καμία ζημιά		P / F
Ενδεικτικές λυχνίες και ενδείξεις ήχου				
1	Κανονική ενεργοποίηση	ΠΡΑΣΙΝΟ κουμπί λειτουργίας και 3 τόνοι		P / F
2	Κανονική εισαγωγή οργάνου	Λευκή οθόνη υποδοχής		P / F
3	Εμπλοκή κουμπιού κατά την ενεργοποίηση	1) ΠΡΑΣΙΝΟ κουμπί λειτουργίας και 3 τόνοι 2) 1 τόνος, στη συνέχεια, αναβοσβήνει η ΠΟΡΤΟΚΑΛΙ υποδοχή		P / F
4	Εμπλοκή κουμπιού μετά την ενεργοποίηση	1 τόνος, στη συνέχεια, αναβοσβήνει η ΠΟΡΤΟΚΑΛΙ υποδοχή		P / F
5	Δοκιμή ανοικτού κυκλώματος	1) ΦΟΥΞΙΑ οθόνη βραχυκυκλώματος με ηχητικό τόνο 2) ΠΟΡΤΟΚΑΛΙ οθόνη με ειδοποίηση 3 τόνων		P / F
6	Δοκιμή βραχυκυκλώματος	1) ΦΟΥΞΙΑ οθόνη 4 δευτερόλεπτων με ηχητικό τόνο 2) ΠΟΡΤΟΚΑΛΙ οθόνη με ειδοποίηση 3 τόνων		P / F
7	Χρονισμός σφράγισης	Περίπου 4 δευτερόλεπτα μεταβαλλόμενης ΦΟΥΞΙΑ οθόνης	_____ δευτ.	P / F
8	Έλεγχος έντασης ήχου	Ο όγκος αλλάζει μεταξύ ελάχ. και μέγ. επιπέδου		P / F

Όνομα ελεγκτή

Υπογραφή

Ημερομηνία

Φόρμα σύνοψης περιοδικού ελέγχου λειτουργίας Σελίδα 2/2

Αριθμός σειράς γεννήτριας: _____

Βήμα	ΔΟΚΙΜΗ	ΑΠΑΙΤΗΣΗ	Καταγραφή τιμών	Κύκλος επιτυχίας/αποτυχίας
Δοκιμή συνέχειας γείωσης				
8	Τιμή συνέχειας γείωσης	< 0,200 Ω	_____ Ω	P / F
Δοκιμή διαρροής ως προς γείωση				
7	Κανονική/Κλειστό με καλώδιο	< 0,500 μΑ	_____ μΑ	P / F
8	Κανονική/Ανοικτό με καλώδιο		_____ μΑ	P / F
9	Αντίστροφη/Ανοικτό με καλώδιο		_____ μΑ	P / F
10	Αντίστροφη/Κλειστό με καλώδιο		_____ μΑ	P / F
12	Κανονική/Κλειστό χωρίς καλώδιο		_____ μΑ	P / F
13	Κανονική/Ανοικτό χωρίς καλώδιο		_____ μΑ	P / F
14	Αντίστροφη/Ανοικτό χωρίς καλώδιο		_____ μΑ	P / F
15	Αντίστροφη/Κλειστό χωρίς καλώδιο		_____ μΑ	P / F
Σύνθετη αντίσταση				
10	Σύνθετη αντίσταση 25 Ω/Ισχύς 25 W	20 W – 30 W	_____ W	P / F
12	Σύνθετη αντίσταση 25 Ω/Ισχύς 35 W	28 W – 42 W	_____ W	P / F
14	Σύνθετη αντίσταση 25 Ω/Ισχύς 50 W	40 W – 60 W	_____ W	P / F
19	Σύνθετη αντίσταση 50 Ω/Ισχύς 25 W	20 W – 30 W	_____ W	P / F
21	Σύνθετη αντίσταση 50 Ω/Ισχύς 35 W	28 W – 42 W	_____ W	P / F
23	Σύνθετη αντίσταση 50 Ω/Ισχύς 50 W	40 W – 60 W	_____ W	P / F
28	Σύνθετη αντίσταση 225 Ω/Ισχύς 25 W	20 W – 30 W	_____ W	P / F
30	Σύνθετη αντίσταση 225 Ω/Ισχύς 35 W	28 W – 42 W	_____ W	P / F
32	Σύνθετη αντίσταση 225 Ω/Ισχύς 50 W	40 W – 60 W	_____ W	P / F

Όνομα ελεγκτή

Υπογραφή

Ημερομηνία

Εγγύηση

Η Bolder Surgical εγγυάται ότι κάθε προϊόν που κατασκευάζεται από αυτήν δεν θα παρουσιάσει ελαττώματα σε υλικά και εργασία υπό φυσιολογική χρήση και σέρβις για την(τις) περίοδο(ιόδους) που αναφέρεται(ονται) παρακάτω. Η μοναδική υποχρέωση της Bolder Surgical και η αποκλειστική αποζημίωση του πελάτη για οποιαδήποτε παραβίαση της παρούσας εγγύησης περιορίζεται στην επισκευή ή αντικατάσταση, κατά την αποκλειστική επιλογή της Bolder Surgical, οποιουδήποτε προϊόντος ή μέρους αυτού, το οποίο έχει επιστραφεί σε αυτήν ή στον διανομέα της εντός της ισχύουσας χρονικής περιόδου που παρουσιάζεται παρακάτω, μετά την παράδοση του προϊόντος στον αρχικό αγοραστή, και το οποίο κατά την εξέταση αποκαλύπτεται, σε ικανοποίηση της Bolder Surgical, ότι είναι ελαττωματικό προϊόν. Η παρούσα εγγύηση δεν ισχύει για οποιοδήποτε προϊόν, ή τμήμα του, το οποίο έχει επισκευαστεί ή τροποποιηθεί από οποιονδήποτε άλλον εκτός από την Bolder Surgical ή τους εξουσιοδοτημένους αντιπροσώπους της ή το οποίο έχει υποστεί κακή χρήση, αμέλεια ή ατύχημα. Οι περίοδοι εγγύησης για τα προϊόντα της Bolder Surgical είναι οι εξής:

Τύπος προϊόντος	Περίοδος εγγύησης (χρόνος μετά την αποστολή από την Bolder Surgical)
Γεννήτρια CoolSeal™	1 έτος από την ημερομηνία αποστολής

ΕΚΤΟΣ ΑΠΟ ΤΙΣ ΠΑΡΑΠΑΝΩ ΠΕΡΙΟΡΙΣΜΕΝΕΣ ΕΓΓΥΗΣΕΙΣ, Η BOLDER SURGICAL, ΣΤΟΝ ΒΑΘΜΟ ΠΟΥ ΕΠΙΤΡΕΠΕΤΑΙ ΑΠΟ ΤΗΝ ΙΣΧΥΟΥΣΑ ΝΟΜΟΘΕΣΙΑ, ΑΠΟΠΟΙΕΙΤΑΙ ΡΗΤΑ ΚΑΘΕ ΑΛΛΗΣ ΕΓΓΥΗΣΗΣ, ΡΗΤΗΣ, ΣΙΩΠΗΡΗΣ Ή ΠΡΟΒΛΕΠΟΜΕΝΗΣ, ΣΥΜΠΕΡΙΛΑΜΒΑΝΟΜΕΝΩΝ, ΕΝΔΕΙΚΤΙΚΑ, ΤΩΝ ΣΙΩΠΗΡΩΝ ΕΓΓΥΗΣΕΩΝ ΕΜΠΟΡΕΥΣΙΜΟΤΗΤΑΣ ΚΑΙ ΜΗ ΠΑΡΑΒΙΑΣΗΣ.

ΠΑΡΑ ΟΠΟΙΟΔΗΠΟΤΕ ΑΛΛΗ ΔΙΑΤΑΞΗ ΤΟΥ ΠΑΡΟΝΤΟΣ Ή ΣΕ ΟΠΟΙΟΔΗΠΟΤΕ ΑΛΛΟ ΕΓΓΡΑΦΟ Ή ΕΠΙΚΟΙΝΩΝΙΑ ΓΙΑ ΤΟ ΑΝΤΙΘΕΤΟ, ΣΕ ΚΑΜΙΑ ΠΕΡΙΠΤΩΣΗ ΔΕΝ ΘΑ ΕΙΝΑΙ ΥΠΕΥΘΥΝΗ Η BOLDER SURGICAL ΓΙΑ ΑΠΩΛΕΙΑ ΚΕΡΔΩΝ Ή ΕΣΟΔΩΝ, ΑΠΩΛΕΙΑ ΠΡΟΪΟΝΤΟΣ, ΑΠΩΛΕΙΑ ΧΡΗΣΗΣ ΠΡΟΪΟΝΤΩΝ, ΔΙΑΚΟΠΗ ΕΡΓΑΣΙΩΝ Ή ΓΙΑ ΕΙΔΙΚΕΣ, ΠΑΡΕΠΟΜΕΝΕΣ, ΕΜΜΕΣΕΣ, ΠΟΙΝΙΚΕΣ Ή ΠΑΡΑΔΕΙΓΜΑΤΙΚΕΣ ΖΗΜΙΕΣ. Η ΣΥΝΟΛΙΚΗ ΕΥΘΥΝΗ ΤΗΣ BOLDER SURGICAL ΓΙΑ ΟΛΕΣ ΤΙΣ ΑΞΙΩΣΕΙΣ ΠΟΥ ΠΡΟΚΥΠΤΟΥΝ ΑΠΟ Ή ΣΧΕΤΙΖΟΝΤΑΙ ΜΕ ΤΗΝ ΠΑΡΟΥΣΑ ΣΥΜΒΑΣΗ ΚΑΙ ΟΠΟΙΟΔΗΠΟΤΕ ΠΡΟΪΟΝ ΘΑ ΠΕΡΙΟΡΙΖΕΤΑΙ ΣΕ ΓΕΝΙΚΕΣ ΧΡΗΜΑΤΙΚΕΣ ΖΗΜΙΕΣ ΣΕ ΠΟΣΟ ΠΟΥ ΔΕΝ ΥΠΕΡΒΑΙΝΕΙ ΤΗ ΣΥΝΟΛΙΚΗ ΤΙΜΗ ΑΓΟΡΑΣ ΓΙΑ ΤΟ ΠΡΟΪΟΝ ΠΟΥ ΑΠΟΤΕΛΕΙ ΑΝΤΙΚΕΙΜΕΝΟ ΤΗΣ ΑΞΙΩΣΗΣ. Αυτοί οι περιορισμοί και οι εξαιρέσεις ισχύουν ανεξάρτητα από το εάν μια αξίωση βασίζεται σε σύμβαση, εγγύηση, αποζημίωση, αδικοπραξία εξωσυμβατική, ευθύνη (συμπεριλαμβανομένης της αμέλειας), αντικειμενική ευθύνη ή άλλως. Η Bolder Surgical δεν αναλαμβάνει ούτε εξουσιοδοτεί οποιοδήποτε άλλο μέρος να αναλάβει οποιαδήποτε άλλη ευθύνη σε σχέση με την πώληση ή τη χρήση οποιουδήποτε από τα προϊόντα της Bolder Surgical.

Η παρούσα εγγύηση και τα δικαιώματα και οι υποχρεώσεις που απορρέουν από αυτήν θα ερμηνεύονται και θα διέπονται από τους νόμους της Πολιτείας του Κολοράντο των Η.Π.Α. Οποιαδήποτε μήνυση ή αγωγή από ή σχετική με την παρούσα εγγύηση θα προσκομίζεται αποκλειστικά στα πολιτειακά ή ομοσπονδιακά δικαστήρια που βρίσκονται στο Boulder ή στο Denver, στο Colorado, Η.Π.Α. και ο πελάτης παραιτείται δια του παρόντος από οποιοδήποτε δικαίωμα εναντίωσης στον τόπο διεξαγωγής των εν λόγω εκδικάσεων. Η Bolder Surgical, οι διανομείς τους και οι αντιπρόσωποί τους διατηρούν το δικαίωμα να μεταβάλλουν, να τροποποιούν ή να επανασχεδιάζουν τα προϊόντα τους χωρίς καμία υποχρέωση τροποποίησης ή αντικατάστασης των προϊόντων που έχουν κατασκευαστεί ή/και πουληθεί προηγουμένως από αυτούς.

Índice

Prefacio.....	156
Equipo tratado en este manual.....	156
Información sobre patentes	156
Reconocimiento de marcas comerciales	156
Fabricado por:.....	156
Para obtener información, llame al	156
Convenciones utilizadas en esta guía.....	156
Capítulo 1. Descripción general y características generales.....	157
Introducción	157
Indicaciones de uso.....	157
Contraindicaciones de uso	157
Panel delantero.....	158
Panel trasero	158
Vista inferior	159
Lista de accesorios.....	159
Instrumentos de sellado de vasos compatibles.....	159
Capítulo 2. Seguridad del paciente y del quirófano	160
Advertencias y precauciones	160
Descripción general	160
Seguridad durante la configuración del generador.....	160
Compatibilidad electromagnética	161
Riesgo de incendio durante la cirugía orofaríngea.....	161
Marcapasos y DAI.....	161
Conexión de un instrumento CoolSeal™	162
Limpieza del generador CoolSeal™	162
Revisión del generador CoolSeal™	162
Capítulo 3. Configuración y uso del generador CoolSeal™	163
Desembalaje del generador CoolSeal™	163
Inspección del generador CoolSeal™	163
Seguridad durante la configuración	163
Configuración del generador CoolSeal™	164
Ajuste del volumen	165

Conexión de un instrumento CoolSeal™	165
Conexión de un instrumento CoolSeal™ al generador CoolSeal™	165
Activación de un instrumento CoolSeal™	165
Descripciones de los estados de alerta	166
Capítulo 4. Después de la intervención quirúrgica.....	169
Apagado del generador CoolSeal™	169
Preparación del generador CoolSeal™ para el siguiente uso	169
Capítulo 5. Solución de problemas	170
Pautas generales para la solución de problemas	170
Corrección de fallos de funcionamiento	170
Respuesta anómala del paciente:	170
Fallos del generador CoolSeal™:.....	171
Posibles interacciones con otros dispositivos:.....	172
Capítulo 6. Pruebas de funcionamiento periódicas, mantenimiento y revisión	173
Responsabilidad del fabricante	173
Pruebas de funcionamiento periódicas y mantenimiento	173
¿Cuándo se deben realizar las pruebas de funcionamiento periódicas?.....	173
¿Cuándo debe sustituirse el cable de alimentación?	173
¿Cuándo deben sustituirse los fusibles?	173
¿Cómo se sustituyen los fusibles?.....	173
Revisión del producto	174
Devolución del generador CoolSeal™ para revisión.....	174
Actualizaciones de software	174
Capítulo 7. Características técnicas.....	175
Características de rendimiento	175
Generales.....	175
Dimensiones y peso	175
Parámetros de funcionamiento	175
Transporte y almacenamiento.....	175
Memoria interna	175
Tono de activación	176
Tonos de alerta	176
Potencia de entrada	176
Características del cable de alimentación	176

Características técnicas	177
Frecuencia de entrada	177
Corriente de entrada.....	177
Alimentación de reserva.....	177
Conexión equipotencial	177
Ciclo de trabajo	177
Corriente de fuga a baja frecuencia (50/60 Hz).....	177
Normas y clasificaciones IEC	177
Símbolos	178
Clasificaciones	179
Equipo de clase I (IEC 60601-1).....	179
Compatibilidad electromagnética (IEC 60601-1-2).....	179
Equipo de tipo CF (IEC 60601-1)	179
IP XX contra salpicaduras/entrada de líquidos (IEC 60601-1 e IEC 60601-2-2).....	179
Transitorios de tensión: transferencia entre red eléctrica y plataforma de energía (IEC60601-1 e IEC 60601-2-2).....	179
Compatibilidad electromagnética (IEC 60601-1-2 e IEC60601-2-2)	179
Características de salida	179
Salida máxima para el generador CoolSeal™	179
Inmunidad electromagnética	180
Anexo A: Prueba de funcionamiento periódica	184
Definiciones:.....	184
Equipo necesario:.....	184
Criterios aceptables/no aceptables:.....	184
Intervención:.....	185
Formulario de resumen de prueba de funcionamiento periódica	188
Garantía	190

Prefacio

Este manual y el equipo que describe son para uso exclusivo de profesionales médicos cualificados con formación en la técnica y la intervención quirúrgica concretas que se van a realizar. Está concebido solamente como una guía para utilizar el generador CoolSeal™.

Equipo tratado en este manual

Generador CoolSeal™ – CSL-200-50

Información sobre patentes

<https://BolderSurgical.com/patents/>

Reconocimiento de marcas comerciales

Generador CoolSeal™

Fabricado por:



Bolder Surgical
331 S. 104th Street, Suite 200
Louisville, Colorado 80027 EE. UU.
Fabricado en EE. UU.
Tel.: +1 866.683.1743
www.BolderSurgical.com

Representante autorizado:



Emergo Europe B.V.
Prinsessegracht 20
2514 AP La Haya
Países Bajos

Para obtener información, llame al

+1 866.683.1743

Convenciones utilizadas en esta guía

Advertencia

Indica una situación que puede resultar peligrosa y que, si no se evita, podría provocar la muerte o lesiones graves

Precaución

Indica una situación que puede resultar peligrosa y que, si no se evita, podría provocar lesiones leves o moderadas

Aviso

Indica un peligro que puede provocar daños en el producto.

Importante

Indica una sugerencia acerca del funcionamiento o el mantenimiento.

Capítulo 1. Descripción general y características generales

Esta sección incluye la siguiente información:

- Introducción
- Indicaciones de uso
- Contraindicaciones de uso
- Panel delantero
- Panel trasero
- Vista inferior
- Lista de accesorios
- Instrumentos de sellado de vasos compatibles

Precaución

Lea todas las advertencias, precauciones e instrucciones suministradas con este generador antes de usarlo. Este manual no incluye instrucciones concretas para los instrumentos CoolSeal™. Consulte las instrucciones de uso del instrumento CoolSeal™ para conocer las advertencias, precauciones e instrucciones de uso del mismo.

Las leyes federales de EE. UU. restringen la venta de este dispositivo a médicos o bajo prescripción facultativa.

Introducción

El generador CoolSeal™ proporciona energía de radiofrecuencia (RF) para aplicaciones de sellado de vasos.

El generador CoolSeal™ detecta automáticamente los instrumentos codificados y configura el generador CoolSeal™ en consecuencia. La funcionalidad de seguridad y diagnóstico incluye funciones a prueba de fallos automáticas.

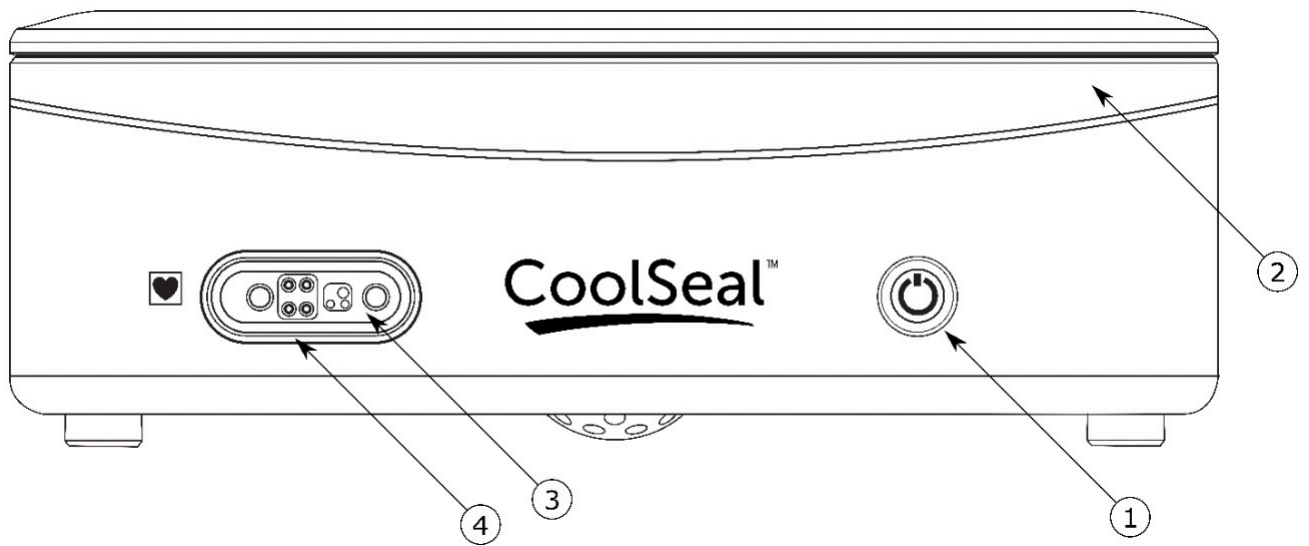
Indicaciones de uso

El generador CoolSeal™ está diseñado para proporcionar energía de radiofrecuencia (RF) a instrumentos CoolSeal™ compatibles para aplicaciones de sellado de vasos. La aplicación concreta dependerá del dispositivo quirúrgico compatible que esté conectado al generador. Este generador está diseñado para utilizarse únicamente con dispositivos quirúrgicos compatibles con la tecnología CoolSeal™.

Contraindicaciones de uso

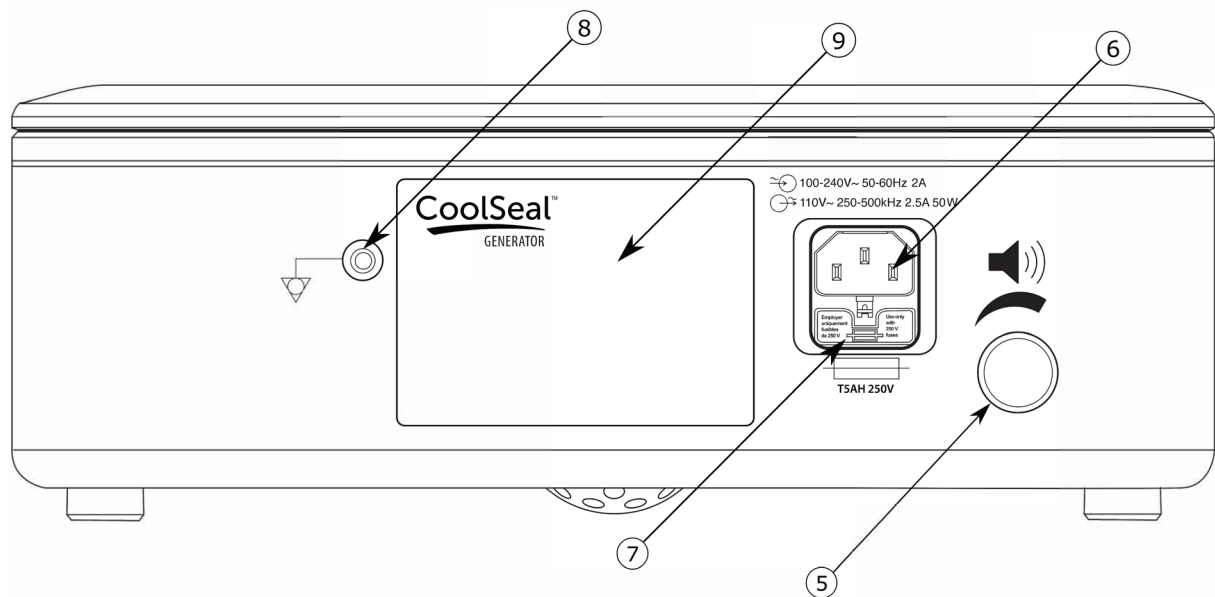
Ninguna conocida concreta del generador CoolSeal™.

Panel delantero



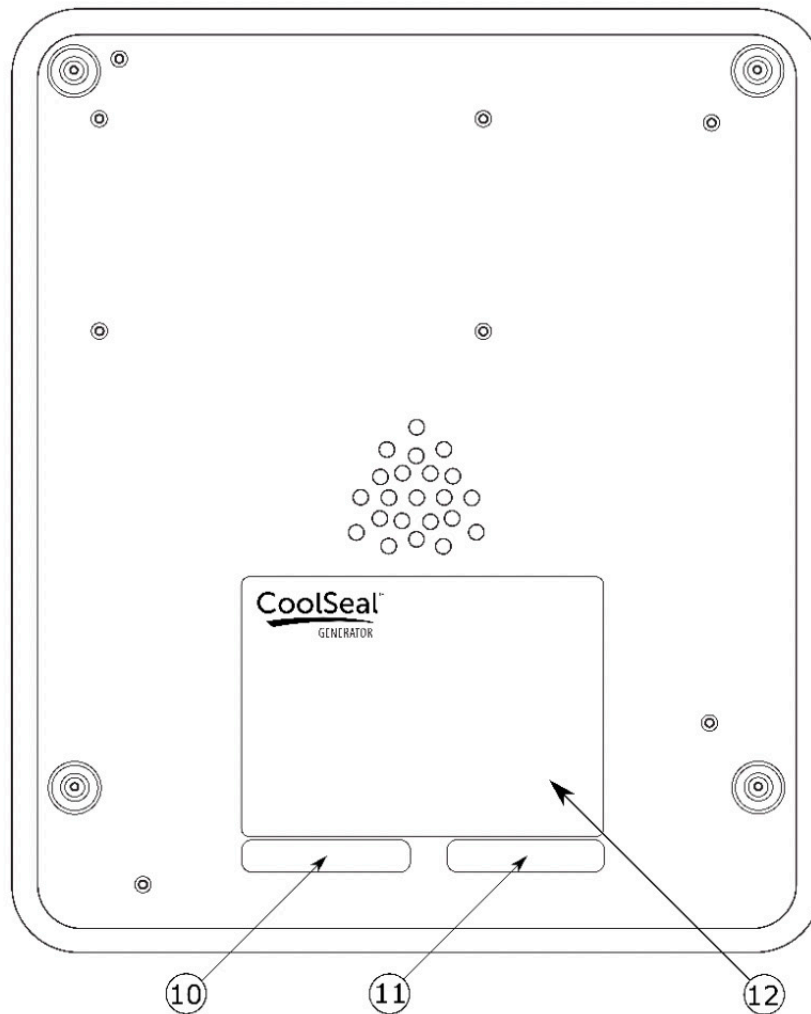
- (1) Botón de encendido iluminado
- (2) Indicador de activación
- (3) Toma de instrumentos CoolSeal™
- (4) Indicador de la toma de instrumentos

Panel trasero



- (5) Control de ajuste del volumen
- (6) Toma del cable de alimentación
- (7) Cajón de fusibles
- (8) Conector equipotencial
- (9) Etiqueta de advertencias y precauciones de seguridad

Vista inferior



- (10) Etiqueta de fecha de prueba final
- (11) Etiqueta de versión de software
- (12) Etiqueta de información de fabricación

Lista de accesorios

Cable de alimentación: propio para EE. UU.
Cable de prueba de funcionamiento CSL-FTC (no incluido)

Instrumentos de sellado de vasos compatibles

Los instrumentos CoolSeal™ compatibles tendrán conectores que coincidan con la siguiente ilustración. Consulte las instrucciones de uso del instrumento CoolSeal™ para conocer la compatibilidad con la tecnología CoolSeal™.



Capítulo 2. Seguridad del paciente y del quirófano

El uso seguro y eficaz de la electrocirugía depende en gran medida de los factores que se encuentran bajo control del operador únicamente. No hay sustituto para un equipo quirúrgico debidamente formado y atento. Es importante leer, comprender y seguir las instrucciones de funcionamiento suministradas con este u otros equipos electroquirúrgicos. La electrocirugía se ha utilizado de forma segura en numerosas intervenciones. Antes de iniciar cualquier intervención quirúrgica, el cirujano debe formarse en la técnica y la intervención quirúrgica concretas que se van a realizar, debe familiarizarse con la bibliografía médica relacionada con la intervención y las posibles complicaciones de la misma, y debe familiarizarse con la relación entre riesgos y beneficios del uso de la electrocirugía en la intervención.

Para incentivar el uso seguro del generador CoolSeal™, esta sección incluye las advertencias y precauciones que aparecen en la presente guía del usuario. También es importante que lea, comprenda y siga las instrucciones de uso del instrumento CoolSeal™.

Advertencias y precauciones

Descripción general

Precaución
Lea todas las advertencias, precauciones e instrucciones suministradas con este generador antes de usarlo. Este manual no incluye instrucciones concretas para los instrumentos CoolSeal™. Consulte las instrucciones de uso del instrumento CoolSeal™ para conocer las advertencias, precauciones e instrucciones de uso del mismo.
Las leyes federales de EE. UU. restringen la venta de este dispositivo a médicos o bajo prescripción facultativa.

Seguridad durante la configuración del generador

Advertencia
Peligro de descarga eléctrica: Conecte el cable de alimentación del sistema a una toma de alimentación correctamente conectada a tierra. No utilice adaptadores de enchufe.
Peligro de incendio: No utilice cables alargadores ni tomas de corriente múltiples.
Seguridad del paciente: Utilice el generador CoolSeal™ solo si la autocomprobación de encendido se ha completado como se describe en este manual; de lo contrario, se pueden producir entregas de energía imprecisas.
Este equipo es para uso exclusivo de médicos formados y autorizados. El uso de este equipo sin dicha formación puede provocar lesiones graves al paciente.
El generador CoolSeal™ solo es compatible con los instrumentos CoolSeal™. No se pueden utilizar otros instrumentos bipolares.
No enrolle los cables del instrumento alrededor de objetos metálicos. Esto puede inducir corrientes parásitas que podrían provocar descargas eléctricas, incendios o lesiones al paciente o al equipo quirúrgico.
Peligro de descarga eléctrica: No conecte conectores de instrumentos húmedos al generador CoolSeal™. Asegúrese de que todos los instrumentos y adaptadores estén conectados correctamente.
Antes de cada uso, examine los cables del equipo para detectar roturas, grietas, muescas y otros daños. Si están dañados, no los utilice. Los cables del equipo dañados pueden provocar lesiones o descargas eléctricas al paciente o al equipo quirúrgico.

Precaución

Ajuste el control del volumen del sistema a un nivel que garantice que se puedan escuchar los tonos de activación.

No baje el tono de activación a un nivel inaudible. El tono de activación alerta al equipo quirúrgico cuando el generador CoolSeal™ está administrando energía de RF.

Examine todos los instrumentos y conexiones al sistema antes de utilizarlos. Asegúrese de que los instrumentos funcionen según lo previsto. Una conexión incorrecta puede provocar arcos, chispas, mal funcionamiento del instrumento o efectos quirúrgicos no deseados.

Un generador CoolSeal™ que no funcione puede interrumpir la intervención quirúrgica. Debería disponerse de un sistema de reserva listo para usarse.

El uso de conectores, es decir, cables de alimentación, distintos de los indicados puede provocar un aumento de las emisiones o una disminución de la inmunidad del equipo.

Mantenga tanta distancia como sea posible entre el generador CoolSeal™ y otros equipos electrónicos, como monitores. No cruce ni agrupe cables de dispositivos electrónicos. Este generador puede provocar interferencias con otros equipos electrónicos. Si se producen interferencias, reubique el equipo.

Los estudios han demostrado que el humo generado durante las intervenciones electroquirúrgicas puede resultar perjudicial para los pacientes y el equipo quirúrgico. Estos estudios recomiendan ventilar adecuadamente el humo utilizando un evacuador de humos quirúrgico u otros medios.¹

1. U.S. Department of Health and Human Services. National Institute for Occupational Safety and Health (NIOSH). Control of Smoke from Laser/Electric Surgical Procedures. HAZARD CONTROLS, Publication No. 96-128, September 1996.

Compatibilidad electromagnética

Advertencia

Debe evitarse el uso de este equipo adyacente a o apilado con otros equipos, ya que podría provocar un funcionamiento inadecuado. Si dicho uso es necesario, este equipo y el otro equipo deben observarse para comprobar que funcionan normalmente.

No deben utilizarse equipos portátiles de comunicación por RF a menos de 30 cm (12 pulgadas) de ninguna parte del generador CoolSeal™, incluidos los cables indicados por Bolder Surgical. De lo contrario, el rendimiento de este equipo podría verse afectado.

Riesgo de incendio durante la cirugía orofaríngea

Advertencia

Compruebe que los tubos endotraqueales no tengan fugas y que el manguito selle correctamente para evitar fugas de oxígeno.

Marcapasos y DAI

Advertencia

NO UTILICE el equipo en pacientes que tengan implantes electrónicos, como marcapasos, sin consultar primero a un profesional cualificado (p. ej., un cardiólogo). Existe un posible peligro, porque puede producirse una interferencia con el funcionamiento del implante electrónico, o este podría resultar dañado.

Conexión de un instrumento CoolSeal™

Advertencia

Peligro de descarga eléctrica

- No conecte instrumentos húmedos al generador CoolSeal™.
- Asegúrese de que todos los instrumentos estén conectados correctamente y de que no haya metal expuesto en ningún punto de conexión

Asiente correctamente el instrumento en la toma. Una conexión incorrecta puede provocar la activación accidental del instrumento u otras situaciones que pueden resultar peligrosas. Siga las instrucciones suministradas con los instrumentos de sellado de vasos CoolSeal™.

La toma de instrumentos de este sistema está diseñada para aceptar solo un instrumento a la vez. No intente conectar más de un instrumento a la vez a una toma en concreto. Si lo hace, los instrumentos se activarán simultáneamente.

Precaución

Antes de cada uso, examine los instrumentos y los cables para comprobar si presentan roturas, grietas, muescas u otros daños. Si están dañados, no los utilice. Los cables o instrumentos dañados pueden provocar lesiones o descargas eléctricas al paciente o al equipo quirúrgico.

Limpieza del generador CoolSeal™

Advertencia

Peligro de descarga eléctrica

Apague y desenchufe siempre el generador CoolSeal™ antes de limpiarlo.

Revisión del generador CoolSeal™

Advertencia

Peligro de descarga eléctrica

No retire la cubierta del generador CoolSeal™.

No intente revisar el generador CoolSeal™. Todas las revisiones y reparaciones deben ser realizadas por un técnico de Bolder Surgical™.

Precaución

El generador CoolSeal™ no debe desecharse con otros residuos al final de su vida útil. Para reciclar equipos desechados, solicite instrucciones a Bolder Surgical (llame al +1 866.683.1743) o póngase en contacto con su representante de ventas local para analizar las soluciones y los procesos de eliminación de desechos locales. La eliminación del generador CoolSeal™ supone un riesgo similar al de los dispositivos electrónicos de consumo, como los ordenadores. No hay sustancias radioactivas, baterías ni líquidos peligrosos que puedan gotear en el generador CoolSeal™.

Capítulo 3. Configuración y uso del generador CoolSeal™

En este capítulo se tratan los siguientes temas:

- Desembalaje del generador CoolSeal™
- Inspección del generador CoolSeal™
- Seguridad durante la configuración
- Configuración del generador CoolSeal™
- Ajuste del volumen de los tonos de activación
- Conexión de un instrumento CoolSeal™
- Activación del instrumento CoolSeal™
- Descripciones de los estados de alerta

Precaución

Lea todas las advertencias, precauciones e instrucciones suministradas con este generador antes de usarlo. Este manual no incluye instrucciones concretas para los instrumentos CoolSeal™. Consulte las instrucciones de uso del instrumento CoolSeal™ para conocer las advertencias, precauciones e instrucciones de uso del mismo.

Desembalaje del generador CoolSeal™

1. Saque el generador CoolSeal™ de la caja de envío y del material de embalaje.
2. Examine el dispositivo para comprobar si presenta daños visibles.

Inspección del generador CoolSeal™

Antes de cada uso del generador CoolSeal™, compruebe que la unidad y todos los accesorios estén en buen estado de funcionamiento:

- Compruebe si hay daños en el generador y en todas sus conexiones.
- Examine todos los cables y conectores en busca de signos de desgaste, daños y abrasión.
- Compruebe que no se produzcan errores al encender la unidad.

Seguridad durante la configuración

Advertencia

Peligro de descarga eléctrica: Conecte el cable de alimentación del sistema a una toma de alimentación correctamente conectada a tierra. No utilice adaptadores de enchufe.

Peligro de incendio: No utilice cables alargadores ni tomas de corriente múltiples.

Seguridad del paciente: Utilice el generador CoolSeal™ solo si la autocomprobación de encendido se ha completado como se describe en este manual; de lo contrario, se pueden producir entregas de energía imprecisas.

Este equipo es para uso exclusivo de médicos formados y autorizados. El uso de este equipo sin dicha formación puede provocar lesiones graves al paciente.

El generador CoolSeal™ solo es compatible con los instrumentos CoolSeal™. No se pueden utilizar otros instrumentos bipolares.

No enrolle los cables del instrumento alrededor de objetos metálicos. Esto puede inducir corrientes parásitas que podrían provocar descargas eléctricas, incendios o lesiones al paciente o al equipo quirúrgico.

Peligro de descarga eléctrica: No conecte conectores de instrumentos húmedos al generador CoolSeal™. Asegúrese de que todos los instrumentos y adaptadores estén conectados correctamente.

Antes de cada uso, examine los cables del equipo para detectar roturas, grietas, muescas y otros daños. Si están dañados, no los utilice. Los cables del equipo dañados pueden provocar lesiones o descargas eléctricas al paciente o al equipo quirúrgico.

Precaución

Ajuste el control del volumen del sistema a un nivel que garantice que se puedan escuchar los tonos de activación.

No baje el tono de activación a un nivel inaudible. El tono de activación alerta al equipo quirúrgico cuando el generador CoolSeal™ está administrando energía de RF.

Examine todos los instrumentos y conexiones al sistema antes de utilizarlos. Asegúrese de que los instrumentos funcionen según lo previsto. Una conexión incorrecta puede provocar arcos, chispas, mal funcionamiento del instrumento o efectos quirúrgicos no deseados.

Un generador CoolSeal™ que no funcione puede interrumpir la intervención quirúrgica. Debería disponerse de un sistema de reserva listo para usarse.

El uso de conectores, es decir, cables de alimentación, distintos de los indicados puede provocar un aumento de las emisiones o una disminución de la inmunidad del equipo.

Mantenga tanta distancia como sea posible entre el generador CoolSeal™ y otros equipos electrónicos, como monitores. No cruce ni agrupe cables de dispositivos electrónicos. Este generador puede provocar interferencias con otros equipos electrónicos. Si se producen interferencias, reubique el equipo.

Los estudios han demostrado que el humo generado durante las intervenciones electroquirúrgicas puede resultar perjudicial para los pacientes y el equipo quirúrgico. Estos estudios recomiendan ventilar adecuadamente el humo utilizando un evacuador de humos quirúrgico u otros medios.¹

1. U.S. Department of Health and Human Services. National Institute for Occupational Safety and Health (NIOSH). Control of Smoke from Laser/Electric Surgical Procedures. HAZARD CONTROLS, Publication No. 96-128, September 1996.

Configuración del generador CoolSeal™

1. Coloque el generador CoolSeal™ sobre una superficie plana y estable, como una mesa, una plataforma, un sistema de brazo articulado o un carro. Se recomienda utilizar carros con ruedas que no conduzcan la electricidad. Consulte los protocolos de su centro local o los códigos locales.
2. Si lo requieren los códigos locales o del centro, conecte el conector equipotencial a una toma de tierra.
3. Conecte el cable de alimentación del sistema a la entrada eléctrica del panel trasero.
4. Conecte el cable de alimentación del sistema a una toma de pared de CA conectada a tierra.

Aviso

No conecte el generador CoolSeal™ a una regleta o a un cable alargador.

No coloque el dispositivo de forma que sea difícil desconectar el cable de alimentación.

Importante

Si se transporta o almacena a temperaturas fuera del rango de temperatura de funcionamiento, deje transcurrir una hora para que el generador CoolSeal™ alcance la temperatura de funcionamiento antes de su uso.

Encienda el sistema pulsando el botón de encendido/en espera () del frontal de la unidad. Observe lo siguiente durante la autocomprobación de encendido:

- La unidad realiza la autocomprobación de encendido.
- El botón de encendido se ilumina en verde.
- La alerta sonora emite tres (3) pitidos de 1/2 segundo después de completar correctamente la autocomprobación.

Aviso

Compruebe que el sistema haya completado correctamente la autocomprobación de encendido antes de conectar los instrumentos.

Si la unidad no supera la autocomprobación de encendido:

- El botón de encendido no se ilumina o se ilumina en rojo

- El tono de alerta sonora emite un (1) tono de 1/2 segundo después de una autocomprobación fallida

Consulte las secciones «Estados de alerta» o «Solución de problemas» para obtener información adicional

Ajuste del volumen

Se puede ajustar el volumen de los tonos de alerta y activación girando el mando del volumen en el panel posterior del generador CoolSeal™.

Aviso

El volumen mínimo para los tonos de alerta siempre será más alto que el tono de activación.

Conexión de un instrumento CoolSeal™

Advertencia

Peligro de descarga eléctrica

- No conecte instrumentos húmedos al generador CoolSeal™.
- Asegúrese de que todos los instrumentos estén conectados correctamente y de que no haya metal expuesto en ningún punto de conexión.

Asiente correctamente el instrumento en la toma. Una conexión incorrecta puede provocar la activación accidental del instrumento u otras situaciones que pueden resultar peligrosas. Siga las instrucciones suministradas con los instrumentos CoolSeal™ para una conexión y un uso correctos.

La toma de instrumentos de este sistema está diseñada para aceptar solo un instrumento a la vez. No intente conectar más de un instrumento a la vez a una toma en concreto. Si lo hace, los instrumentos se activarán simultáneamente.

Precaución

Antes de cada uso, examine los instrumentos y los cables para comprobar si presentan roturas, grietas, muescas u otros daños. Si están dañados, no los utilice. Los cables o instrumentos dañados pueden provocar lesiones o descargas eléctricas al paciente o al equipo quirúrgico.

Conexión de un instrumento CoolSeal™ al generador CoolSeal™

1. Conecte un instrumento CoolSeal™ a la toma de instrumentos en el panel frontal del generador CoolSeal™.
2. Compruebe la colocación y la conexión correctas observando si el indicador verde de la toma de instrumentos está iluminado.

Si el generador CoolSeal™ no reconoce el instrumento conectado, el indicador de la toma del instrumento se iluminará en rojo o no se iluminará, y sonará un único tono de alerta. Consulte las secciones «Estados de alerta» o «Solución de problemas».

Activación de un instrumento CoolSeal™

1. Active el instrumento CoolSeal™ siguiendo las instrucciones de uso del instrumento.
2. Observe lo siguiente durante la activación del instrumento:
 - El indicador de activación se ilumina en azul y cambia de luminosidad durante la administración de energía.
 - Durante la administración de energía suena continuamente un tono de activación.
3. Cuando el ciclo de sellado haya finalizado, observe lo siguiente:
 - Sonará una secuencia de tres tonos cuando se haya completado el sellado. A continuación, se debe soltar el botón de activación.
 - El indicador de activación del panel frontal del generador CoolSeal™ se iluminará momentáneamente en azul.
 - Entonces se apagará el indicador de activación.

En caso de un estado de alerta, consulte las secciones «Estados de alerta» o «Solución de problemas».

Descripciones de los estados de alerta

Cuando se produce un estado de alerta:

- Sonará un tono de alerta
- Uno de los indicadores del generador CoolSeal™ se iluminará en azul, ámbar o rojo
- La administración de energía se interrumpirá

La energía estará disponible una vez que se haya solucionado el estado de alerta. Consulte la siguiente tabla para resolver los estados de alerta:

Estado de alerta:	Indicado por:	Causas:	Para resolver:
Sellado completo	<ul style="list-style-type: none"> • Una alerta de tres tonos secuenciales • Se detiene la administración de energía de RF • El indicador de activación se ilumina en azul durante medio (0,5) segundo 	Sellado correcto del vaso.	Nada. Funcionamiento normal.
Reactivación/sellado incompleto	<ul style="list-style-type: none"> • Un tono de alerta de tres pulsos • Se detiene la administración de energía de RF • El indicador de activación se ilumina en ámbar durante un (1) segundo 	<p>El tiempo de sellado supera los cinco (5) segundos O BIEN</p> <p>El usuario abrió las mordazas del instrumento o liberó el botón de activación, lo que hizo que el ciclo de sellado se interrumpiera antes de que se completara el sellado O BIEN</p> <p>La corriente permanece en el límite máximo de corriente durante más de cuatro (4) segundos, lo que indica que se ha producido un cortocircuito eléctrico entre las mordazas O BIEN</p> <p>El instrumento se ha activado al aire libre.</p>	<ol style="list-style-type: none"> 1. Suelte el botón de activación 2. Pulse el botón de activación para reactivar el ciclo de sellado sin cambiar la posición del instrumento 3. Abra las mordazas del instrumento y compruebe si el sellado se ha realizado correctamente 4. Si es posible, vuelva a colocar el instrumento y vuelva a agarrar tejido en otro lugar; a continuación, reactive el ciclo de sellado 5. Examine visualmente el sellado antes de cortar
Las condiciones de uso posibles incluyen:			
		Agarre de tejido fino o activación al aire libre.	Abra las mordazas y confirme que hay suficiente cantidad de tejido entre las mismas. Si es necesario, aumente la cantidad de tejido y repita la maniobra
		Demasiado tejido agarrado entre las mordazas.	Abra las mordazas y reduzca la cantidad de tejido que se agarra y reactive el ciclo de sellado
		Agarre de un objeto metálico.	Evite agarrar objetos como grapas, clips o suturas encapsuladas con las mordazas del instrumento
		Activación con exceso de líquidos acumulados alrededor de la punta del instrumento.	<ol style="list-style-type: none"> 1. Reduzca o elimine el exceso de líquidos 2. Reactive el ciclo de sellado sin cambiar la posición del instrumento
		Exceso de escara tisular en las puntas de los electrodos.	Utilice una gasa húmeda para limpiar las superficies y los bordes de las mordazas del instrumento.

Error de sistema	<ul style="list-style-type: none"> • Un tono de alerta de pulso único • La administración de energía de RF se detiene y el botón de encendido se ilumina y permanece rojo 	El generador no funciona correctamente, falló una autocomprobación interna.	<ol style="list-style-type: none"> 1. Pulse el botón de encendido para apagar el generador 2. Espere al menos 30 segundos 3. Pulse el botón de encendido para encender el generador 4. Confirme que el botón de encendido está iluminado en verde antes del uso. <p>Si el error del sistema se vuelve a producir:</p> <ul style="list-style-type: none"> • No utilice el generador. • Utilice un generador CoolSeal™ diferente o medios alternativos para completar la intervención. <p>Devuelva el generador defectuoso como se indica en la sección «Revisión de productos» de esta guía.</p>
Error del instrumento	<ul style="list-style-type: none"> • Un tono de alerta de pulso único • El indicador de la toma del instrumento se ilumina en ámbar y parpadea continuamente • El generador no permitirá la administración de energía de RF 	El generador no funciona correctamente, falló una autocomprobación interna.	<ol style="list-style-type: none"> 1. Desconecte el instrumento del generador. 2. Asegúrese de que no se esté pulsando el botón de activación del instrumento. 3. Vuelva a conectar el instrumento al generador. 4. Confirme que el indicador de la toma del instrumento se ilumina en verde <p>Si el error del instrumento se vuelve a producir:</p> <ul style="list-style-type: none"> • No utilice el instrumento • Utilice un instrumento CoolSeal™ diferente.
		Las condiciones de uso posibles incluyen:	
		Pulsación accidental del botón de activación del instrumento durante la conexión del instrumento.	Retire lo que esté pulsando el botón de activación del instrumento y vuelva a conectar este último.
		El interruptor del instrumento no funciona correctamente.	Sustituya el instrumento.

Instrumento no válido	<ul style="list-style-type: none"> • Tono de alerta de pulso único • Se ilumina el indicador de la toma de instrumentos y permanece rojo • El generador no permitirá la administración de energía de RF 	Se ha conectado un instrumento inutilizable.	<ol style="list-style-type: none"> 1. Desconecte el instrumento del generador. 2. Asegúrese de que el instrumento sea compatible con CoolSeal™ 3. Vuelva a conectar el instrumento al generador. 4. Confirme que el indicador de la toma del instrumento se ilumina en verde <p>Si se vuelve a producir el error del instrumento:</p> <ul style="list-style-type: none"> • No utilice el instrumento • Utilice un instrumento CoolSeal™ diferente.
	Las condiciones de uso posibles incluyen:		
	El instrumento conectado no es compatible con la tecnología CoolSeal™.		Confirme la compatibilidad del instrumento con la tecnología CoolSeal™ en las instrucciones de uso del instrumento.
	El instrumento conectado se ha utilizado anteriormente.		Deseche el instrumento.
	El instrumento no se puede utilizar con la versión de software.		<p>Confirme que la versión de software requerida por el instrumento no es superior a la versión de software de la etiqueta de la parte inferior del generador CoolSeal™.</p> <p>Para proceder a la actualización del software, consulte la sección «Actualización de software».</p>

Capítulo 4. Después de la intervención quirúrgica


En este capítulo se tratan los siguientes temas:

- Apagado del generador CoolSeal™
- Preparación del generador CoolSeal™ para el siguiente uso

Precaución

Lea todas las advertencias, precauciones e instrucciones suministradas con este generador antes de usarlo. Este manual no incluye instrucciones concretas para los instrumentos CoolSeal™. Consulte las instrucciones de uso del instrumento CoolSeal™ para conocer las advertencias, precauciones e instrucciones de uso del mismo.

Apagado del generador CoolSeal™

1. Encienda el sistema pulsando el botón de encendido/en espera () del panel frontal de la unidad. Compruebe lo siguiente:
 - La luz del botón de encendido/en espera se apaga.

Si es necesario, el generador puede apagarse desconectando el cable de alimentación de la toma de corriente o de la pared.

Preparación del generador CoolSeal™ para el siguiente uso

Paso 1: Desconexión de instrumentos CoolSeal™

1. Desconecte el instrumento del panel frontal.
2. Deseche el instrumento de un solo uso de acuerdo con los protocolos de su centro.

Paso 2: Limpieza del generador CoolSeal™

Advertencia

Peligro de descarga eléctrica

Apague y desenchufe siempre el generador CoolSeal™ antes de limpiarlo.

Aviso

Limpie el generador CoolSeal™ con agentes y desinfectantes no inflamables siempre que sea posible. No utilice compuestos de limpieza o desinfectantes abrasivos, disolventes ni otros materiales que puedan arañar los paneles o dañar el generador, como hidrocarburos clorados u otros disolventes plásticos.

- Apague el generador y desconecte el cable de alimentación de la toma de pared.
- Limpie bien todas las superficies del generador y el cable de alimentación con una solución de limpieza suave o desinfectante y un paño húmedo. Si utiliza lejías a base de cloro, dilúyalas antes de la limpieza.
- Siga los protocolos aprobados por su centro o utilice protocolos de control de infecciones validados a través del uso.
- No sumerja, enjuague agresivamente ni permita que entren de otro modo líquidos en el chasis.

Capítulo 5. Solución de problemas

En este capítulo se tratan los siguientes temas:

- Pautas generales para la solución de problemas
- Corrección de fallos de funcionamiento

Precaución

Lea todas las advertencias, precauciones e instrucciones suministradas con este generador antes de usarlo. Este manual no incluye instrucciones concretas para los instrumentos CoolSeal™. Consulte las instrucciones de uso del instrumento CoolSeal™ para conocer las advertencias, precauciones e instrucciones de uso del mismo.

Pautas generales para la solución de problemas

Si el generador CoolSeal™ no funciona correctamente, compruebe si hay alteraciones evidentes que puedan haber provocado el problema:

- Compruebe que todos los cables estén conectados y correctamente acoplados.
- Compruebe si el sistema presenta signos visibles de daños físicos.
- Apague el sistema y vuelva a encenderlo.

Si el fallo de funcionamiento persiste, puede que el sistema requiera una revisión. Póngase en contacto con el departamento de ingeniería biomédica de su centro, Bolder Surgical o el distribuidor autorizado.

Si se produce algún incidente mientras se utiliza el sistema CoolSeal™, los usuarios deberán informar de estos problemas directamente a Bolder Surgical por teléfono (+1 866.683.1743) o por correo electrónico (complaints@boldsurg.com) y a la autoridad local competente.

Corrección de fallos de funcionamiento

Si la solución no parece evidente, utilice la siguiente tabla para ayudar a identificar y corregir fallos concretos. Después de corregir el fallo de funcionamiento, compruebe que el sistema completa la autocomprobación tal y como se describe en el capítulo «Configuración del sistema».

Respuesta anómala del paciente:

Situación:	Causas:	Para resolver:
Estimulación neuromuscular anómala (detener la intervención quirúrgica de inmediato)	Chispas por contacto entre metales	Compruebe todas las conexiones al generador CoolSeal™.
	Corrientes de fuga anómalas a 50 Hz-60 Hz	Utilice un generador CoolSeal™ de reserva. Póngase en contacto con su departamento de ingeniería biomédica o con un representante del servicio técnico de Bolder Surgical™ para obtener ayuda.

Fallos del generador CoolSeal™:

Situación:	Causas:	Para resolver:
El generador CoolSeal™ no responde cuando se enciende	El cable de alimentación está desconectado o la toma de pared está defectuosa	Compruebe las conexiones del cable de alimentación (al generador CoolSeal™ y a la toma de corriente de pared). Conecte el cable de alimentación a una toma de corriente que funcione correctamente.
	Cable de alimentación defectuoso	Sustituya el cable de alimentación.
	Los fusibles están fundidos	Póngase en contacto con su departamento de ingeniería biomédica o con un representante del servicio técnico de Bolder Surgical™ para obtener ayuda.
	Fallo de funcionamiento de componentes internos	Utilice un generador CoolSeal™ de reserva. Póngase en contacto con su departamento de ingeniería biomédica o con un representante del servicio técnico de Bolder Surgical™ para obtener ayuda.
El sistema está encendido, pero no ha completado correctamente la autocomprobación o ha dejado de funcionar durante el uso: Se emite un tono de pulso único y el botón de encendido se ilumina en rojo	Unidad almacenada en un lugar frío	Deje que la unidad alcance la temperatura ambiente.
	Fallo de software recuperable	Utilice un generador CoolSeal™ de reserva. Póngase en contacto con su departamento de ingeniería biomédica o con un representante del servicio técnico de Bolder Surgical™ para obtener ayuda.
	Fallo de funcionamiento de componentes internos o fallo de software no recuperable	Fallo de funcionamiento de componentes internos.
El sistema está encendido, con un solo tono y el indicador de la toma del instrumento parpadeando en ámbar .	Sistema iniciado con un instrumento defectuoso conectado a la toma de instrumentos	Desconecte el instrumento. Apague el generador CoolSeal™. Encienda el generador CoolSeal™.
	El instrumento es incorrecto o ha caducado	Conecte el instrumento. Sustituya el instrumento si sigue fallando.
	Fallo del instrumento	
	El instrumento CoolSeal™ no se puede utilizar con la versión de software	Solicite a su departamento de ingeniería biomédica que consulte con el fabricante del dispositivo. Para proceder a la actualización del software, consulte la sección «Actualización de software».
El sistema está encendido, el botón de encendido se ilumina en verde cuando se enchufa el instrumento, se oye un solo tono y el indicador de la toma de instrumentos se ilumina en rojo .	Fallo de reconocimiento del instrumento debido a una conexión intermitente	Retire el enchufe del instrumento Vuelva a insertar firmemente el instrumento.
	Fallo de software recuperable	Apague el sistema y vuelva a encenderlo.
	Fallo de funcionamiento de componentes internos o fallo de software no recuperable	Utilice un generador CoolSeal™ de reserva. Póngase en contacto con su departamento de ingeniería biomédica o con un representante del servicio técnico de Bolder Surgical™ para obtener ayuda.
El generador CoolSeal™ está encendido y el instrumento está activado, pero el sistema no suministra corriente; no hay tonos ni indicador de activación	Existe un estado de alerta	Consulte la sección Estados de alerta.
	El sistema no detecta el instrumento de sellado de vasos	Inserte firmemente el conector en la toma del panel frontal del generador CoolSeal™. Asegúrese de que el indicador de la toma esté iluminado en verde para indicar que hay un instrumento CoolSeal™ correctamente acoplado y reconocido.
	Fallo de funcionamiento de componentes internos o fallo de software no recuperable	Póngase en contacto con su departamento de ingeniería biomédica o con un representante del servicio técnico de Bolder Surgical™ para obtener ayuda.

Sellado incompleto/ reactivación: Tonos de tres pulsos , indicador de activación del frontal del generador ámbar y administración de RF desactivada	El ciclo de sellado superó los 5 segundos O BIEN Se ha soltado el interruptor de mano antes de que sonara el tono de finalización	Se necesitan tiempo y energía adicionales para completar el ciclo de sellado. Vuelva a activar el ciclo de sellado sin retirar ni cambiar la posición del instrumento. Examine visualmente el sellado antes de cortar.
	Se ha agarrado metal u otro objeto extraño entre las mordazas	Evite agarrar objetos como grapas, clips o suturas encapsuladas con las mordazas del instrumento.
	El tejido agarrado entre las mordazas es demasiado fino	Abra las mordazas y confirme que hay suficiente cantidad de tejido entre las mismas. Si es necesario, aumente la cantidad de tejido y repita la maniobra.
	Líquidos acumulados alrededor de la punta del instrumento	Reduzca o elimine el exceso de líquidos. Limpie las puntas de los electrodos y las mordazas con una gasa húmeda.
	El instrumento se ha activado al aire libre	Suelte el botón de activación. Agarre tejido y active el ciclo de sellado.
El instrumento está conectado pero el sellado de vasos no se activa	El instrumento no está totalmente asentado en la toma del instrumento	Desconecte el instrumento, vuelva a conectarlo y espere un momento.

Posibles interacciones con otros dispositivos:

Situación:	Causas:	Para resolver:
Interferencia del monitor continua	Fallo del monitor	Consulte las instrucciones de uso del monitor para la solución de problemas.
	Conexiones a tierra del chasis defectuosas	Compruebe y corrija las conexiones a tierra del chasis para el monitor y para el generador CoolSeal™. Compruebe otros equipos eléctricos en la sala para detectar conexiones a tierra defectuosas.
	El equipo eléctrico está conectado a tierra a diferentes objetos en lugar de a una tierra común. El generador CoolSeal™ puede responder a las diferencias de voltaje resultantes entre los objetos conectados a tierra.	Conecte todo el equipo eléctrico a la alimentación de red en la misma ubicación. Póngase en contacto con su departamento de ingeniería biomédica o con un representante del servicio técnico de Bolder Surgical™ para obtener ayuda.
	Si la interferencia continúa cuando el generador CoolSeal™ está activado, el monitor está respondiendo a frecuencias radiadas.	Solicite a su departamento de ingeniería biomédica que consulte con el fabricante del monitor. Algunos fabricantes ofrecen filtros de bobinas de choque de RF para usar en cables de monitor. Los filtros reducen la interferencia cuando el generador CoolSeal™ está activado y minimizan la posibilidad de quemadura electroquirúrgica en el lugar de colocación del electrodo del monitor.
Interferencia con marcapasos	Conexiones intermitentes o generación de chispas por contacto entre metales	Controle siempre a los pacientes con marcapasos durante la intervención quirúrgica y tenga un desfibrilador preparado.
Activación del desfibrilador cardíaco interno (DCI)	El DCI se activa con el generador CoolSeal™	Detenga la intervención y póngase en contacto con el fabricante del DCI para obtener instrucciones.
Interferencia con otros dispositivos solo cuando el generador CoolSeal™ está activado	Cables de tierra eléctricamente incompatibles en el quirófano	Compruebe que todos los cables de conexión a tierra sean lo más cortos posible y vayan al mismo metal conectado a tierra.
	Si la interferencia continúa cuando el generador CoolSeal™ está activado, el dispositivo está respondiendo a frecuencias radiadas.	Solicite a su departamento de ingeniería biomédica que consulte con el fabricante del dispositivo.

Capítulo 6. Pruebas de funcionamiento periódicas, mantenimiento y revisión

Este capítulo presenta la siguiente información:

- La responsabilidad del fabricante
- Pruebas de funcionamiento periódicas y mantenimiento
- Devolución del generador para su revisión
- Actualizaciones de software

Precaución

Lea todas las advertencias, precauciones e instrucciones suministradas con este generador antes de usarlo. Este manual no incluye instrucciones concretas para los instrumentos CoolSeal™. Consulte las instrucciones de uso del instrumento CoolSeal™ para conocer las advertencias, precauciones e instrucciones de uso del mismo.

Responsabilidad del fabricante

Bolder Surgical es responsable de la seguridad, la fiabilidad y el rendimiento del generador CoolSeal™ solo si se cumplen todas las condiciones siguientes:

- Se siguen los protocolos de instalación y configuración de este manual.
- El montaje, el manejo, los reajustes, las modificaciones o las reparaciones los llevan a cabo personas autorizadas por Bolder Surgical.
- La instalación eléctrica de la sala pertinente cumple con los códigos locales y los requisitos normativos, como IEC y BSI.
- El equipo se utiliza de acuerdo con las instrucciones de uso de Bolder Surgical. Para obtener información sobre la garantía, consulte la sección Garantía de este manual.

Pruebas de funcionamiento periódicas y mantenimiento

¿Cuándo se deben realizar las pruebas de funcionamiento periódicas?

Bolder Surgical recomienda realizar una prueba de funcionamiento periódica del generador CoolSeal™ al menos una vez cada dos años. La prueba de funcionamiento periódica solo debe realizarla un técnico biomédico cualificado, o puede devolverse el generador CoolSeal™ a Bolder Surgical o a su distribuidor para la prueba de funcionamiento periódica. Consulte el Apéndice A para obtener instrucciones detalladas sobre la prueba de funcionamiento periódica.

¿Cuándo debe sustituirse el cable de alimentación?

Sustituya el cable de alimentación si observa hilos expuestos, grietas, bordes deshilachados o un conector dañado.

¿Cuándo deben sustituirse los fusibles?

En ocasiones, es posible que el departamento de ingeniería biomédica del hospital necesite sustituir los fusibles. Los fusibles deben reemplazarse cuando un fusible se haya sacrificado para proteger el generador CoolSeal™ o según lo indicado por el servicio de ingeniería biomédica hospitalaria para el mantenimiento preventivo. Si se producen fallos repetidos de fusibles en un breve periodo de tiempo, no continúe sustituyendo los fusibles y devuelva el generador CoolSeal™ para su revisión.

¿Cómo se sustituyen los fusibles?

1. Apague el generador y desconecte el cable de alimentación de la toma de pared.
2. Desconecte el cable de alimentación del sistema de la entrada eléctrica del panel trasero.
3. Suelte la bandeja de fusibles de debajo de la entrada eléctrica.
4. Retire ambos fusibles.
5. Obtenga los fusibles correspondientes según la etiqueta de debajo de la entrada eléctrica en el panel posterior.
6. Inserte ambos fusibles.
7. Inserte y encaje la bandeja de fusibles.

Revisión del producto

Advertencia

Peligro de descarga eléctrica: No retire la cubierta del generador CoolSeal™.

No intente revisar el generador CoolSeal™. Todas las revisiones y reparaciones deben ser realizadas por personal autorizado de Bolder Surgical™.

Devolución del generador CoolSeal™ para revisión

Antes de devolver el generador CoolSeal™, llame a su representante de ventas de Bolder Surgical™ para obtener ayuda. Si se le indica que envíe el generador a Bolder Surgical, haga lo siguiente:

1. Llame al centro de atención al cliente de Bolder Surgical™ de su región para obtener un número de autorización de devolución. Tenga a mano la siguiente información cuando llame:
 - Nombre del hospital/clínica/número de cliente
 - Su número de teléfono
 - Departamento/dirección, ciudad, estado y código postal
 - Número de modelo
 - Número de serie
 - Descripción del problema
 - Tipo de revisión, actualización o reparación a realizar
2. Limpie el generador CoolSeal™.
 - Consulte la sección de «Limpieza» más arriba.
3. Envíe el generador CoolSeal™.
 - Adjunte una etiqueta al generador que incluya el número de autorización de devolución y la información (hospital, número de teléfono, etc.) que aparece en el paso 1.
 - Asegúrese de que el generador esté completamente seco antes de embalarlo para su envío. Embalarlo en su contenedor de envío original, si está disponible.
 - Envíe el generador, con los gastos de envío pagados, al centro de servicio de Bolder Surgical™.

Actualizaciones de software

Las actualizaciones de software las debe realizar el personal de Bolder Surgical™. Para obtener instrucciones, consulte «Devolución del generador CoolSeal™ para revisión» (arriba).

Capítulo 7. Características técnicas

Todas las características son nominales y están sujetas a cambios sin previo aviso.

Una característica se considera «Representativa» si está dentro de $\pm 20\%$ de un valor indicado a temperatura ambiente (25 °C/77 °F) y una tensión de línea de entrada nominal.

Precaución

Lea todas las advertencias, precauciones e instrucciones suministradas con este generador antes de usarlo. Este manual no incluye instrucciones concretas para los instrumentos CoolSeal™. Consulte las instrucciones de uso del instrumento CoolSeal™ para conocer las advertencias, precauciones e instrucciones de uso del mismo.

Características de rendimiento

Generales

Configuración de salida:	Salida aislada
Refrigeración:	Convección ambiental natural
Visualización:	Lámparas indicadoras e interruptor de encendido/en espera
Puertos de conexión:	Detector de conexión iluminado por LED
Montaje:	Sistemas de brazo articulado de quirófano Cualquier superficie estable y plana, como una mesa o la parte superior de un carro

Dimensiones y peso

Anchura:	30,5 cm (12 pulgada)
Profundidad:	38,1 cm (15 pulgada)
Altura:	10,9 cm (4,3 pulgada)
Peso:	5,4 kg (12 lb)

Parámetros de funcionamiento

Rango de temperatura ambiente:	Entre +10 °C y +35 °C
Humedad relativa:	Del 30 % al 75 % (sin condensación)
Presión atmosférica:	De 67 kilopascales a 111 kilopascales
Tiempo de calentamiento:	Si se transporta o almacena a temperaturas fuera del rango de temperatura de funcionamiento, deje transcurrir una hora para que el generador CoolSeal™ alcance la temperatura de funcionamiento antes de usarlo.

Transporte y almacenamiento

Rango de temperatura ambiente:	Entre -20 °C y +60 °C
Humedad relativa:	Del 0 % al 90 % (sin condensación)
Presión atmosférica:	De 46 kilopascales a 111 kilopascales

Memoria interna

No volátil:	RAM
Capacidad de almacenamiento:	La memoria puede almacenar información de los últimos 2000 ciclos de sellado. Los datos no son propios del paciente y el usuario no puede acceder a ellos.

Tono de activación

Los niveles sonoros indicados a continuación son para los tonos de activación del sellado a una distancia de un metro.

Volumen (ajustable):	De 40 dBA a 80 dBA
Frecuencia de Sellado de CoolSeal™:	349,2 Hz
Duración:	Continua mientras el sistema está administrando activamente energía de RF

Tonos de alerta

Volumen (ajustable):	De 65 dBA a 80 dBA
Frecuencia de Error del sistema y error del instrumento:	Un pulso de tono de 550 ms Alto = 2637 Hz, bajo = 440 Hz 550 ms
Sellado completo:	Tres tonos en secuencia 349,2 Hz, 392 Hz y 440 Hz 75 ms, 150 ms y 300 ms de duración
Reactivación/sellado incompleto:	Tres pulsos de tono Alto = 2489 Hz, bajo = 349,2 Hz Pulsos de 80 ms, pausas de 100 ms entre pulsos

Potencia de entrada

Potencia máxima a tensión nominal de línea: 110 W
Corriente de red (máxima) Inactivo: 250 mA Sellado: 1 A
Rango de frecuencia de línea de la red (nominal): Entre 50 Hz y 60 Hz
Rango de tensión de línea de la red (nominal): 100 V-240 V
Fusibles (2): Tipo T5AH 250 V o equivalente, 5 mm x 20 mm 5 A, 250 V, acción lenta, alta capacidad de ruptura
Entrada de alimentación: IEC 60320 C14

Características del cable de alimentación

Esta unidad viene equipada de fábrica con un cable de alimentación de 110 V CA de calidad hospitalaria con un conector de alimentación NEMA5-15. Al sustituir el cable de alimentación de CA para que coincida con otra configuración de conector de red, la configuración del conector/cable/toma de repuesto debe contar con las siguientes características o superarlas:

100-120 V CA

Cable:	SJT 18/3, código de color IEC, longitud máxima de 3 m (10 ft)
Toma de red eléctrica:	Calidad hospitalaria, cumple los requisitos locales del país
Mínimo:	10 A-125 V CA
Toma de la unidad:	IEC 60320 C13, mínimo 10 A-125 V CA

220-240 V CA

Cable:	H05VVF3G1.0, longitud máxima 3 m (10 ft)
Toma de red eléctrica:	Calidad hospitalaria, cumple los requisitos locales del país
Mínimo:	6 A-250 V CA
Toma de la unidad:	IEC 60320 C13, mínimo 6 A-250 V CA

Características técnicas

Frecuencia de entrada

El generador CoolSeal™ funciona dentro de las características en todas las frecuencias de entrada de línea entre 47 Hz y 63 Hz. El usuario no necesita reconfigurar el generador CoolSeal™ para diferentes frecuencias de línea.

Corriente de entrada

El generador CoolSeal™ no consume más de 5 A a ningún voltaje de entrada de línea.

Alimentación de reserva

El generador CoolSeal™ conserva los datos estadísticos y de calibración cuando se apaga y desenchufa. El generador CoolSeal™ funciona dentro de las características cuando se cambia a una línea de alimentación suministrada por sistemas de reserva hospitalarios.

Conexión equipotencial

Se suministra un conector equipotencial en la parte posterior del generador CoolSeal™ para permitir la conexión de un conductor de equalización de potencial si es necesario.

Ciclo de trabajo

A los ajustes de potencia máxima y condiciones de carga nominales, el generador CoolSeal™ es capaz de operar un ciclo de trabajo del 25 %, definido como 5 segundos de administración de RF activa y 15 segundos de inactividad.

Corriente de fuga a baja frecuencia (50/60 Hz)

Cumple con IEC 60601-1, ed. 3.1

Límites de frecuencia baja:

Fuga a tierra:	5 mA en condiciones normales,	10 mA en condición de fallo único
Corriente por contacto:	100 µA en condiciones normales,	500 µA en condición de fallo único
Fuga al paciente: <i>(basado en pieza aplicada de tipo CF)</i>	10 µA en condiciones normales,	50 µA en condición de fallo único (corriente CC o CA)
Fuga al paciente con red eléctrica en la pieza aplicada tipo F: <i>(basada en pieza aplicada de tipo CF)</i>		50 µA

Normas y clasificaciones IEC

El generador CoolSeal™ cumple todas las cláusulas pertinentes de las normas IEC 60601-1 ed. 3.1, IEC 60601-1-2 ed. 4.0 e IEC 60601-2-2 ed. 6.0.

Símbolos

	Consultar las instrucciones de uso		Entrada de alimentación de CA (red eléctrica)
	Advertencia, electricidad Para reducir el riesgo de descarga eléctrica, no retire la cubierta. Las revisiones deben ser realizadas por personal de servicio cualificado.		Potencia de salida de CA (RF)
	Número de serie		En espera, encendido
	Representante autorizado en la Comunidad Europea		Límite de temperatura
	Número de catálogo, nuevo pedido o referencia		Límite de humedad
	Dispositivo médico		Limitación de presión atmosférica
	Fabricante registrado		Mantener seco
	Fecha de fabricación		Clasificado con respecto a descargas eléctricas, incendios y peligros mecánicos solo de acuerdo con IEC 60601-1 y CAN/CSA C22.2 n.º 601.1.
	El generador está designado para una pieza aplicada de tipo CF		Cumple con los requisitos de la FCC, parte 15.
	Equipotencialidad		Ajuste del volumen de los tonos de activación, el volumen aumenta en sentido horario
	Fusible		El equipo no debe tirarse a la basura

Clasificaciones

Equipo de clase I (IEC 60601-1)

Debido a la forma en que se conectan al conductor de tierra protector, las piezas conductoras accesibles no reciben tensión en caso de un fallo de aislamiento básico.

Compatibilidad electromagnética (IEC 60601-1-2)

Este dispositivo cumple con la parte 15 de las normas de la FCC (Federal Communications Commission, Comisión Federal de Comunicaciones de EE. UU.). El funcionamiento está sujeto a las dos condiciones siguientes:

- (1) Este dispositivo no puede provocar interferencias perjudiciales, y
- (2) Este dispositivo debe aceptar cualquier interferencia recibida, incluidas aquellas que puedan provocar un funcionamiento no deseado.

Equipo de tipo CF (IEC 60601-1)

Este generador proporciona un alto grado de protección contra descargas eléctricas, especialmente en relación con las corrientes de fuga permitidas. Es una salida aislada (flotante) de tipo CF y puede utilizarse para intervenciones que afecten al corazón.

IP XX contra salpicaduras/entrada de líquidos (IEC 60601-1 e IEC 60601-2-2)

El generador CoolSeal™ está fabricado de manera que las salpicaduras de líquido en uso normal no mojen el aislamiento eléctrico ni otros componentes que, al humedecerse, puedan afectar negativamente a la seguridad del equipo.

Transitorios de tensión: transferencia entre red eléctrica y plataforma de energía (IEC60601-1 e IEC 60601-2-2)

El generador CoolSeal™ continúa funcionando normalmente sin errores ni fallos del sistema cuando se realiza la transferencia entre la línea de CA y la alimentación desde una plataforma de energía de emergencia. (IEC 60601-1- 2)

Compatibilidad electromagnética (IEC 60601-1-2 e IEC60601-2-2)

El generador CoolSeal™ cumple con los requisitos estipulados en IEC 60601-1-2 y 60601-2-2 aplicables sobre compatibilidad electromagnética.

Advertencia

Debe evitarse el uso de este equipo adyacente a o apilado con otros equipos, ya que podría provocar un funcionamiento inadecuado. Si dicho uso es necesario, este equipo y el otro equipo deben observarse para comprobar que funcionan normalmente.

No deben utilizarse equipos portátiles de comunicación por RF (incluidos cables de antenas y antenas externas) a menos de 30 cm (12 pulgadas) de ninguna parte del generador CoolSeal™, incluidos los cables indicados por Bolder Surgical. De lo contrario, el rendimiento de este equipo podría verse afectado.

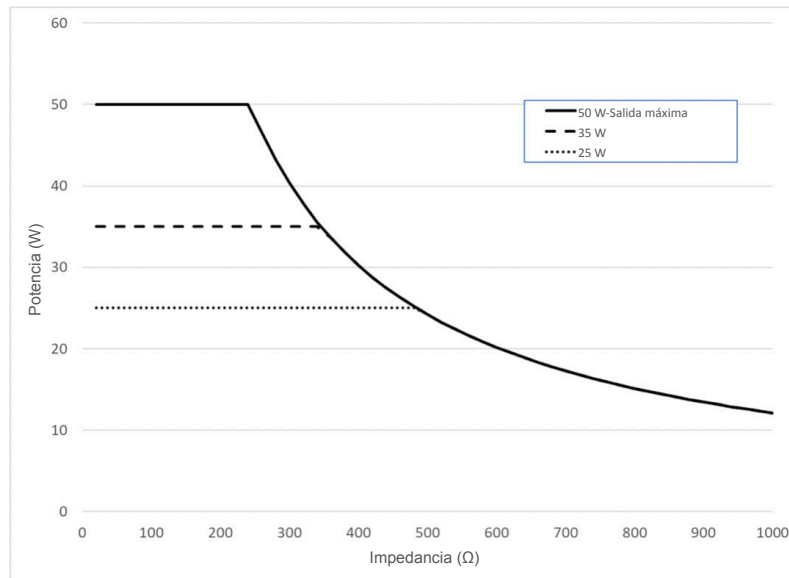
Características de salida

Salida máxima para el generador CoolSeal™

Las lecturas de potencia coinciden con la potencia real en la carga nominal dentro del 20 % o 5 vatios; lo que sea mayor.

Voltaje de pico en circuito abierto (máx.)	Carga nominal	Potencia de salida nominal (máx.)	Factor de cresta	Ciclo de trabajo de la forma de onda
190 V	20 Ω	50 W	1,9	100 %

Gráfico de potencia de salida frente a impedancia



Inmunidad electromagnética

Guía y declaración del fabricante: emisiones electromagnéticas

El generador CoolSeal™ está diseñado para utilizarse en el entorno electromagnético que se indica a continuación. El cliente o el usuario del generador CoolSeal™ deben asegurarse de que se utilice en dicho entorno.

Emisiones de RF CISPR 11	Grupo 2	El generador CoolSeal™ debe emitir energía electromagnética para realizar su función prevista. Los equipos electrónicos cercanos pueden verse afectados.
Emisiones conducidas EN 55011:2009 + A1:2010, CISPR 11:2009 + A1:2010	Clase A	
Emisiones radiadas EN 55011:2009 + A1:2010, CISPR 11:2009 + A1:2010	Clase A	El generador CoolSeal™ es adecuado para su uso en todos los establecimientos, excepto los domésticos y los conectados directamente a la red pública de suministro eléctrico de bajo voltaje que abastece a los edificios utilizados para fines domésticos.
Emisiones armónicas IEC/EN 61000-3-2:2014	Dispositivo de clase A	
Fluctuaciones de tensión/emisiones de parpadeo IEC/EN 61000-3-3:2013	Según la cláusula 5 de la norma	

La seguridad básica según IEC 60601-1 es el requisito de rendimiento utilizado durante las pruebas de inmunidad. El rendimiento esencial no se aplica.

Aviso

Las características de EMISIONES de este equipo lo hacen adecuado para su uso en zonas industriales y hospitales (CISPR 11 clase A). Si se utiliza en un entorno residencial (para el que normalmente se requiere CISPR 11 clase B), este equipo podría no ofrecer una protección adecuada a los servicios de comunicación por radiofrecuencia. El usuario puede necesitar tomar medidas de mitigación, como reubicar o reorientar el equipo.

Guía y declaración del fabricante: inmunidad electromagnética

El generador CoolSeal™ está diseñado para utilizarse en el entorno electromagnético que se indica a continuación. El cliente o el usuario del generador CoolSeal™ deben asegurarse de que se utilice en dicho entorno.

Prueba de inmunidad	Nivel de prueba IEC 60601	± Nivel de cumplimiento	Entorno electromagnético: orientación
Descarga electrostática IEC/EN 61000-4-2	Descarga por contacto de ±8 kV Descarga por aire de ±2, 4, 8 y 15 kV	Descarga por contacto de ±8 kV Descarga por aire de ±2, 4, 8 y 15 kV	Los suelos deben ser de madera, hormigón o baldosas de cerámica. Si los suelos están cubiertos con material sintético, la humedad relativa debe ser de al menos un 30 %.
Inmunidad radiada IEC 61000-4-3:2006 + A1:2008 + A2:2010	80 MHz-6 GHz 3 V/m 80 % a 1 kHz Punto de 28 V/m frecuencias Modulación de pulsos de 385 MHz-2,7 GHz	80 MHz-6 GHz 3 V/m 80 % a 1 kHz Punto de 28 V/m frecuencias Modulación de pulsos de 385 MHz-2,7 GHz	Los equipos portátiles y móviles de comunicación por RF no deben utilizarse a una distancia de cualquier parte del generador CoolSeal™, incluidos los cables, inferior a la distancia de separación recomendada calculada a partir de la ecuación aplicable a la frecuencia del transmisor.
Campo de proximidad de equipos de comunicación inalámbrica por RF IEC 61000-4-3	Según la tabla 9 de la norma IEC 60601-1-2	Consulte la tabla de la página siguiente sobre intervalos de frecuencias y condiciones de prueba para equipos de comunicaciones inalámbricas por RF	Distancia de separación recomendada $d = [2]\sqrt{P}$ donde P es la potencia nominal de salida máxima del transmisor en vatios (W) según el fabricante del transmisor y d es la distancia de separación recomendada en metros (m). Las intensidades de campo de los transmisores de RF fijos, determinadas por un estudio electromagnético del lugar ^a , deben ser inferiores al nivel de cumplimiento en cada intervalo de frecuencias ^b .
Inmunidad conducida (alimentación de CA) (líneas de E/S) IEC/EN 61000-4-6	0,15 MHz-80 MHz 3 Vrms y 6 Vrms en banda ICM 1 kHz Red de CA	0,15 MHz-80 MHz 3 Vrms y 6 Vrms en banda ICM 1 kHz Red de CA	Las bandas ICM (industriales, científicas y médicas) entre 0,15 MHz y 80 MHz son de 6,765 MHz a 6,795 MHz; de 13,553 MHz a 13,567 MHz; de 26,957 MHz a 27,283 MHz; y de 40,66 MHz a 40,70 MHz.
Transitorios eléctricos rápidos (alimentación de CA) IEC/EN 61000-4-4	±2 kV de red de CA ±1 kV-líneas de E/S 5/50 5 kHz y 100 kHz	±2 kV de red de CA ±1 kV-líneas de E/S 5/50 5 kHz y 100 kHz	La calidad de la alimentación eléctrica debe ser la de un entorno comercial u hospitalario representativo.
Sobretensión línea a línea (alimentación de CA) IEC/EN 61000-4-5	±1 kV Línea a línea Línea a tierra	±1 kV Línea a línea Línea a tierra	La calidad de la alimentación eléctrica debe ser la de un entorno comercial u hospitalario representativo.
Inmunidad magnética IEC/EN-61000-4-8	30 A/m 50/60 Hz	30 A/m 50/60 Hz	Los campos magnéticos por frecuencia de la red deben estar a niveles característicos de una ubicación representativa en un entorno comercial u hospitalario representativo.

Caídas e interrupciones de tensión IEC/EN 61000-4-11	0 % UT 0,5 ciclos 0 % UT 1 ciclo 70 % UT 25 ciclos 0 % UT 5 segundos	0 % UT 0,5 ciclos 0 % UT 1 ciclo 70 % UT 25 ciclos 0 % UT 5 segundos	Si el usuario del generador CoolSeal™ requiere un funcionamiento continuo durante interrupciones del suministro eléctrico, se recomienda que el generador CoolSeal se alimente con un suministro de energía ininterrumpida o una batería.
---	---	---	---

NOTA: Puede que estas directrices no sean aplicables en todas las situaciones. La propagación electromagnética se ve afectada por la absorción y el reflejo de estructuras, objetos y personas.

^aLas intensidades de campo de transmisores fijos, como las estaciones base para radioteléfonos (móviles/inalámbricos) y radios móviles terrestres, emisiones de radioaficionados, emisiones de radio AM y FM y emisiones de TV, no pueden predecirse teóricamente con precisión. Para evaluar el entorno electromagnético debido a transmisores de RF fijos, debe considerarse la posibilidad de realizar un estudio electromagnético del lugar. Si la intensidad de campo medida en la ubicación en la que se utiliza el generador CoolSeal™ supera el nivel de cumplimiento de RF aplicable indicado anteriormente, debe observarse el generador CoolSeal™ para comprobar que funciona con normalidad. Si se observa un funcionamiento anómalo, puede ser necesario tomar medidas adicionales, como reorientar o reubicar el generador CoolSeal™.

^bEn el rango de frecuencias de 150 kHz a 80 MHz, las intensidades de campo deben ser inferiores a 3 V/m.

Guía y declaración del fabricante: inmunidad electromagnética

Rango de frecuencias y condiciones de prueba para equipos de comunicaciones inalámbricas por RF

Banda de frecuencia (MHz)	Frecuencia de prueba (MHz)	Modulación ^a	Nivel de cumplimiento (V/m)
380-390	380-390	Pulso – 18 Hz	27
430-470	450	Desviación de FM ±5 kHz Seno de 1 kHz	28
704-787	710	Pulso – 217 Hz	9
	745		
	780		
800-960	810	Pulso – 18 Hz	28
	870		
	930		
1700-1990	1720	Pulso – 217 Hz	28
	1845		
	1970		
2400-2570	2450	Pulso – 217 Hz	28
5100-5800	5240	Pulso – 217 Hz	9
	5500		
	5785		

^aLa modulación por pulsos se define como una entrada de onda cuadrada con un ciclo de trabajo del 50 % a la frecuencia indicada.

NOTA: No deben utilizarse equipos portátiles de comunicación por RF a menos de 30 cm (12 pulgadas) de ninguna parte del generador CoolSeal™, incluidos los cables indicados por Bolder Surgical. De lo contrario, el rendimiento de este equipo podría verse afectado.

Distancias de separación recomendadas entre los equipos portátiles y móviles de comunicación por RF y el generador CoolSeal™

El generador CoolSeal™ está diseñado para utilizarse en un entorno electromagnético en el que las perturbaciones por RF radiadas estén controladas. El cliente o el usuario del generador CoolSeal™ pueden ayudar a prevenir las interferencias electromagnéticas manteniendo una distancia mínima entre los equipos de comunicaciones por RF portátiles y móviles (transmisores) y el generador CoolSeal™, tal y como se recomienda a continuación, de acuerdo con la potencia de salida máxima del equipo de comunicaciones.

Potencia de salida máxima nominal del transmisor	Distancia de separación del transmisor $d = [2]\sqrt{P}$
0,01	0,20
0,1	0,63
1	2,00
10	6,32
100	20,00

Para los transmisores con una potencia nominal de salida máxima no indicada anteriormente, la distancia de separación recomendada d en metros (m) puede estimarse utilizando la ecuación aplicable a la frecuencia del transmisor, donde P es la potencia nominal de salida máxima del transmisor en vatios (W) según el fabricante del transmisor.

NOTA: Puede que estas directrices no sean aplicables en todas las situaciones. La propagación electromagnética se ve afectada por la absorción y el reflejo de estructuras, objetos y personas.

Anexo A: Prueba de funcionamiento periódica

El propósito de la prueba es confirmar el funcionamiento correcto del generador CoolSeal™. Se recomienda realizar esta prueba al menos cada dos años para garantizar que se mantenga un funcionamiento adecuado a lo largo del tiempo. Consulte la última fecha de la prueba de funcionamiento de Bolder Surgical™ en la etiqueta de la última prueba de funcionamiento. Esta prueba puede realizarse con mayor frecuencia según lo requiera la política del hospital.

Advertencia

No abra la carcasa del generador CoolSeal™. No hay componentes que se puedan revisar dentro de la carcasa. Una vez abierta la carcasa, se requieren pruebas adicionales para confirmar que el funcionamiento sigue siendo seguro. Estas pruebas solo están disponibles en el centro de servicio técnico de Bolder Surgical™. De lo contrario, podría aumentar el riesgo de descarga eléctrica.

Aviso

Solo deben realizar la prueba de funcionamiento de CoolSeal™ personas calificadas.

Importante

A continuación se proporciona un formulario opcional para registrar los resultados de la prueba de funcionamiento periódica.

Advertencia

No intente utilizar el cable de la prueba de funcionamiento para ningún otro fin que no sean los pasos descritos en este documento. No utilizar clínicamente.

Definiciones:

UEP: Unidad en prueba

ESA: Analizador de seguridad eléctrica

ESuA: Analizador electroquirúrgico

Equipo necesario:

UEP: Generador CoolSeal™ – CSL-200-50

ESA: Analizador de seguridad eléctrica Fluke Modelo ESA612 (o equivalente)

ESuA: Analizador electroquirúrgico Fluke modelo QA-E SII, QA-ES III (o equivalente)

Cable de prueba de funcionamiento: CSL-FTC

Cronómetro

Criterios aceptables/no aceptables:

- Siga los pasos descritos a continuación para obtener el resultado indicado; si no lo consigue, repítalos.
- Póngase en contacto con Bolder Surgical para solicitar una revisión con el fin de resolver fallos o anomalías.
- No intente reparar el generador CoolSeal™.
- Si se intenta reparar el generador CoolSeal™, se anulará la garantía del producto.

Intervención:

REGISTRO DE RESULTADOS:

1. Puede registrar los resultados de las siguientes pruebas en una copia del registro adjunto. Después de llevar a cabo cada uno de los pasos indicados a continuación, registre el resultado en la sección correspondiente tal y como se indica en **<RECORD RESULTS> (REGISTRAR RESULTADOS)**. Recoja los valores numéricos donde se indique y rodee con un círculo **A** para aceptables o **NA** para no aceptables.

INSPECCIÓN:

1. Examine la unidad para detectar daños externos o la falta de componentes; no se deben observar daños ni la falta de componentes. **<RECORD RESULTS> (REGISTRAR RESULTADOS)**
2. Examine el cable de alimentación en busca de daños; no debe encontrarse ningún daño. **<RECORD RESULTS> (REGISTRAR RESULTADOS)**

LUCES INDICADORAS E INDICADORES SONOROS:

1. Conecte la UEP a la alimentación y pulse el botón de encendido. Este debe iluminarse en VERDE y se debe escuchar una secuencia de tres (3) tonos. Si el botón de encendido se ilumina en ROJO, ello indica un fallo en la autocomprobación de encendido. **<RECORD RESULTS> (REGISTRAR RESULTADOS)**
2. Introduzca el cable de prueba de funcionamiento en la toma del instrumento; el indicador de la toma del instrumento debe iluminarse en blanco. **<RECORD RESULTS> (REGISTRAR RESULTADOS)**
3. Apague la alimentación de la UEP. Mantenga pulsado el botón de activación. Encienda la alimentación mientras mantiene pulsado el botón de activación. El botón de encendido se iluminará en VERDE y se escuchará una secuencia de tres (3) tonos, seguida de un segundo tono; a continuación, el indicador de la toma del instrumento parpadeará en ÁMBAR. **<RECORD RESULTS> (REGISTRAR RESULTADOS)**
4. Retire el cable de la prueba de funcionamiento y apague la UEP y vuelva a encenderla. El botón de encendido debe iluminarse en VERDE. Mientras mantiene pulsado el botón de activación del cable de la prueba de funcionamiento, inserte el cable de la prueba de funcionamiento en la toma del instrumento. Sonará un solo tono y a continuación el indicador de la toma del instrumento parpadeará en ÁMBAR. **<RECORD RESULTS> (REGISTRAR RESULTADOS)**
5. Apague la UEP y vuelva a encenderla para restablecerla desde el paso anterior. Coloque el interruptor del cable de la prueba de funcionamiento en la posición «Open» y mantenga pulsado el botón de activación. El indicador de activación se iluminará momentáneamente en FUCSIA e iniciará el tono de sellado, seguido de un indicador ÁMBAR durante aproximadamente 1 segundo y la alerta de reagarre de 3 tonos. Esto puede sonar como 4 tonos. **<RECORD RESULTS> (REGISTRAR RESULTADOS)**
6. Coloque el interruptor del cable de prueba de funcionamiento en la posición «Short». Mantenga pulsado el botón de activación y confirme que el indicador de activación esté iluminado en FUCSIA y que varíe en intensidad de apagado a máxima con el tono de sellado. Esto irá seguido de un indicador de activación ÁMBAR y una alerta de 3 tonos. **<RECORD RESULTS> (REGISTRAR RESULTADOS)**
7. Con el interruptor del cable de la prueba de funcionamiento todavía en la posición «Short», prepárese para cronometrar desde que pulse el botón de activación hasta que aparezca el indicador en ÁMBAR. Pulse el botón de activación y cronometre la fase FUCSIA (sellado). **<RECORD RESULTS> (REGISTRAR RESULTADOS)**
8. Con el interruptor del cable de la prueba de funcionamiento todavía en la posición «Short», prepárese para girar el mando de volumen durante la fase FUCSIA (fase de sellado). Pulse el botón de activación, gire el mando de volumen hasta cada extremo, y confirme un cambio de volumen entre los niveles mínimo y máximo. **<RECORD RESULTS> (REGISTRAR RESULTADOS)**
9. Retire el cable de prueba, apague la UEP y desenchúfela.

PRUEBA DE CONTINUIDAD DE TIERRA:

1. Encienda el ESA
2. Conecte el cable de alimentación de la UEP al ESA
3. Conecte el conductor de prueba al conector V/ Ω /A del ESA para medir ohmios (Ω).
4. Conecte el conductor de prueba a la clavija de tierra/neutro del ESA.
5. Asegúrese de que el ESA mide la resistencia (Ω)

6. Ponga a cero el ESA.
7. Conecte el conductor de prueba al conector equipotencial de la UEP.
8. Registre el valor de resistencia observado a través del cable de alimentación y la UEP. **<RECORD RESULTS> (REGISTRAR RESULTADOS)**
9. Desconecte la UEP del ESA y apague el ESA.

PRUEBA DE FUGA A TIERRA

1. Encienda el ESA.
2. Conecte el cable de alimentación de la UEP al ESA.
3. Introduzca el cable de la prueba de funcionamiento en la toma de instrumentos.
4. Con el cable de la prueba de funcionamiento en la posición «Normal», apile los conectores de punta cónica ROJO y NEGRO
5. Inserte los conectores apilados en el puerto RA/R (resistencia) del ESA
6. Con el ajuste de microamplificación (μA) y TIERRA, realice las siguientes series de pruebas.
7. Normal/cerrado **<RECORD RESULTS> (REGISTRAR RESULTADOS)**
8. Normal/abierto **<RECORD RESULTS> (REGISTRAR RESULTADOS)**
9. Inverso/abierto **<RECORD RESULTS> (REGISTRAR RESULTADOS)**
10. Inverso/cerrado **<RECORD RESULTS> (REGISTRAR RESULTADOS)**
11. Retire el cable de la prueba de funcionamiento y repita la serie de pruebas anterior.
12. Normal/cerrado **<RECORD RESULTS> (REGISTRAR RESULTADOS)**
13. Normal/abierto **<RECORD RESULTS> (REGISTRAR RESULTADOS)**
14. Inverso/abierto **<RECORD RESULTS> (REGISTRAR RESULTADOS)**
15. Inverso/cerrado **<RECORD RESULTS> (REGISTRAR RESULTADOS)**
16. Desconecte la UEP del ESA y apague el ESA.

COMPROBADOR DE IMPEDANCIA

1. Encienda el ESuA
2. Encienda la UEP
3. Coloque el interruptor del cable de la prueba de funcionamiento en la posición «Normal»
4. Conecte los enchufes del cable de la prueba de funcionamiento ROJO y NEGRO en las tomas correspondientes VAR LOAD del ESuA.
5. Inserte el cable de la prueba de funcionamiento en la UEP
6. Antes de continuar, confirme que el botón de encendido está VERDE y que el indicador de la toma de instrumentos está en BLANCO.

Importante

El generador CoolSeal™ prueba un intervalo de entregas de energía. La primera activación es a una entrega de 25 vatios, la segunda activación es a una entrega de 35 vatios y la tercera activación es a 50 vatios. La cuarta activación inicia esta secuencia de nuevo. Para reiniciar la secuencia desde un punto de inicio conocido, solo tiene que desenchufar el cable de la prueba de funcionamiento y volver a insertarlo.

Importante

Cuando se utilice el cable de la prueba de funcionamiento, el generador CoolSeal™ pondrá la unidad en estado de fallo si la carga resistiva cambia de forma importante. Es poco probable que esto ocurra durante la prueba de funcionamiento, pero, si lo hiciera, solo tiene que apagar y encender la unidad para reiniciarla.

-
7. Ajuste la carga del ESuA a 25 ohmios.
 8. Inicie la prueba en el ESuA.
 9. Mantenga pulsado el botón de activación.
 10. A 25 ohmios, observe la lectura de potencia máxima a 25 vatios. **<RECORD RESULTS> (REGISTRAR RESULTADOS)**
 11. Mantenga pulsado el botón de activación.
 12. A 25 ohmios, observe la lectura de potencia máxima a 35 vatios. **<RECORD RESULTS> (REGISTRAR RESULTADOS)**
 13. Mantenga pulsado el botón de activación.
 14. A 25 ohmios, observe la lectura de potencia máxima a 50 vatios. **<RECORD RESULTS> (REGISTRAR RESULTADOS)**
 15. Detenga la prueba en el ESuA.
 16. Ajuste la carga del ESuA a 50 ohmios
 17. Inicie la prueba en el ESuA.
 18. Mantenga pulsado el botón de activación.
 19. A 50 ohmios, observe la lectura de potencia máxima a 25 vatios. **<RECORD RESULTS> (REGISTRAR RESULTADOS)**
 20. Mantenga pulsado el botón de activación.
 21. A 50 ohmios, observe la lectura de potencia máxima a 35 vatios. **<RECORD RESULTS> (REGISTRAR RESULTADOS)**
 22. Mantenga pulsado el botón de activación.
 23. A 50 ohmios, observe la lectura de potencia máxima a 50 vatios. **<RECORD RESULTS> (REGISTRAR RESULTADOS)**
 24. Detenga la prueba en el ESuA.
 25. Ajuste la carga del ESuA a 225 ohmios
 26. Inicie la prueba en el ESuA.
 27. Mantenga pulsado el botón de activación.
 28. A 225 ohmios, observe la lectura de potencia máxima a 25 vatios. **<RECORD RESULTS> (REGISTRAR RESULTADOS)**
 29. Mantenga pulsado el botón de activación.
 30. A 225 ohmios, observe la lectura de potencia máxima a 35 vatios. **<RECORD RESULTS> (REGISTRAR RESULTADOS)**
 31. Mantenga pulsado el botón de activación.
 32. A 225 ohmios, observe la lectura de potencia máxima a 50 vatios. **<RECORD RESULTS> (REGISTRAR RESULTADOS)**
 33. Detenga la prueba en el ESuA.
 34. Apague todo y desconecte la UEP del equipo de prueba.

Formulario de resumen de prueba de funcionamiento periódica

Formulario de resumen de prueba de funcionamiento periódica Página 1/2

Número de serie del generador: _____

Paso	PRUEBA	REQUISITO	Valor registrado	Rodear aceptable/ no aceptable
Inspección				
1	Inspección exterior de la unidad	Sin daños		A/NA
2	Cable de alimentación	Sin daños		A/NA
Luces indicadoras e indicadores sonoros				
1	Encendido normal	Botón de encendido VERDE y 3 tonos		A/NA
2	Inserción normal de instrumento	Indicador de la toma blanco		A/NA
3	Botón atascado durante el encendido	1) Botón de encendido VERDE y 3 tonos 2) 1 tono y, a continuación, toma ÁMBAR parpadeante		A/NA
4	Botón atascado después del encendido	1 tono y, a continuación, toma ÁMBAR parpadeante		A/NA
5	Prueba de circuito «Open»	1) Indicador FUCSIA corto con tono 2) Indicador ÁMBAR con alerta de 3 tonos		A/NA
6	Prueba de circuito «Short»	1) Indicador FUCSIA durante 4 segundos con tono 2) Indicador ÁMBAR con alerta de 3 tonos		A/NA
7	Duración del sellado	Aprox. 4 segundos de indicador FUCSIA variable	_____ s	A/NA
8	Prueba de volumen	Cambio de volumen entre Mín. y Máx. Niveles		A/NA

Nombre del probador

Firma

Fecha

Formulario de resumen de prueba de funcionamiento periódica Página 2/2

Número de serie del generador: _____

Paso	PRUEBA	REQUISITO	Valor registrado	Rodear aceptable/ no aceptable
Prueba de continuidad a tierra				
8	Valor de continuidad a tierra	<0,200 ohmios	_____ ohmios	A/NA
Prueba de fuga a tierra				
7	Normal/cerrado con cable	<0,500 μ A	_____ μ A	A/NA
8	Normal/abierto con cable		_____ μ A	A/NA
9	Inverso/abierto con cable		_____ μ A	A/NA
10	Inverso/cerrado con cable		_____ μ A	A/NA
12	Normal/cerrado sin cable		_____ μ A	A/NA
13	Normal/abierto sin cable		_____ μ A	A/NA
14	Inverso/abierto sin cable		_____ μ A	A/NA
15	Inverso/cerrado sin cable		_____ μ A	A/NA
Impedancia				
10	Impedancia 25 Ω /potencia 25 W	20 W – 30 W	_____ W	A/NA
12	Impedancia 25 Ω /potencia 35 W	28 W – 42 W	_____ W	A/NA
14	Impedancia 25 Ω /potencia 50 W	40 W – 60 W	_____ W	A/NA
19	Impedancia 50 Ω /potencia 25 W	20 W – 30 W	_____ W	A/NA
21	Impedancia 50 Ω /potencia 35 W	28 W – 42 W	_____ W	A/NA
23	Impedancia 50 Ω /potencia 50 W	40 W – 60 W	_____ W	A/NA
28	Impedancia 225 Ω /potencia 25 W	20 W – 30 W	_____ W	A/NA
30	Impedancia 225 Ω /potencia 35 W	28 W – 42 W	_____ W	A/NA
32	Impedancia 225 Ω /potencia 50 W	40 W – 60 W	_____ W	A/NA

Nombre del probador _____

Firma _____

Fecha _____

Garantía

Bolder Surgical garantiza que todos los productos fabricados por la empresa están libre de defectos de material y mano de obra en condiciones normales de uso y revisión durante el (los) periodo(s) que se establece(n) a continuación. La única obligación de Bolder Surgical y el único recurso del cliente por cualquier incumplimiento de esta garantía se limitan a la reparación o la sustitución, a discreción exclusiva de Bolder Surgical, de cualquier producto, o parte de este, que haya sido devuelto a él o a su distribuidor dentro del periodo de tiempo aplicable que se muestra a continuación tras la entrega del producto al comprador original, y que el examen revele, a satisfacción de Bolder Surgical, que el producto está defectuoso. Esta garantía no se aplica a ningún producto, o parte de este, que haya sido reparado o alterado por cualquiera que no sean Bolder Surgical o sus representantes autorizados, o que haya sido sometido a un uso indebido, negligencia o accidente. Los periodos de garantía para los productos Bolder Surgical son los siguientes:

Tipo de producto	Periodo de garantía (tiempo tras el envío por Bolder Surgical)
Generador CoolSeal™	1 año desde la fecha de envío

EXCEPTO POR LAS GARANTÍAS LIMITADAS ANTERIORES, BOLDER SURGICAL, EN LA MEDIDA PERMITIDA POR LA LEGISLACIÓN APLICABLE, RECHAZA EXPRESAMENTE TODAS LAS DEMÁS GARANTÍAS, EXPRESAS, IMPLÍCITAS O LEGALES, INCLUIDAS, ENTRE OTRAS, LAS GARANTÍAS IMPLÍCITAS DE COMERCIALIZABILIDAD Y NO INFRACCIÓN.

SIN PERJUICIO DE CUALQUIER OTRA DISPOSICIÓN DEL PRESENTE O EN CUALQUIER OTRO DOCUMENTO O COMUNICACIÓN EN SENTIDO CONTRARIO, EN NINGÚN CASO BOLDER SURGICAL SERÁ RESPONSABLE DE LA PÉRDIDA DE BENEFICIOS O INGRESOS, PÉRDIDA DE PRODUCTOS, PÉRDIDA DE USO DE PRODUCTOS, INTERRUPCIÓN DE NEGOCIO O CUALQUIER DAÑO ESPECIAL, CONSECUENTE, INCIDENTAL, INDIRECTO, PUNITIVO O EJEMPLAR. LA RESPONSABILIDAD TOTAL DE BOLDER SURGICAL POR TODAS LAS RECLAMACIONES DERIVADAS DE O RELACIONADAS CON ESTE CONTRATO Y CUALQUIER PRODUCTO SE LIMITARÁ A DAÑOS MONETARIOS GENERALES EN UNA CANTIDAD QUE NO EXCEDA EL PRECIO TOTAL DE COMPRA DEL PRODUCTO QUE DA LUGAR A LA RECLAMACIÓN. Estas limitaciones y exclusiones se aplicarán independientemente de si una reclamación se basa en un contrato, garantía, indemnización, responsabilidad extracontractual por agravio (incluida la negligencia), responsabilidad estricta o de otro modo. Bolder Surgical no asume ni autoriza a ninguna otra parte a asumir por ella ninguna otra responsabilidad en relación con la venta o el uso de cualquiera de los productos de Bolder Surgical.

Esta garantía y los derechos y obligaciones en virtud del presente documento se interpretarán y regirán por las leyes del Estado de Colorado, EE. UU. Cualquier demanda o acción resultante de o relacionada con esta garantía se presentará exclusivamente en los tribunales estatales o federales ubicados en Boulder o Denver, Colorado, EE. UU., y el cliente renuncia por el presente a cualquier derecho a oponerse al lugar de dichos tribunales. Bolder Surgical, sus vendedores y representantes se reservan el derecho de alterar, modificar o rediseñar sus productos sin ninguna obligación de modificar o sustituir ningún producto fabricado o vendido previamente por ellos.

Sisällysluettelo

Alkutiedot	194
Tämän oppaan käsittelemät laitteet.....	194
Patenttitiedot.....	194
Tavaramerkkitiedot.....	194
Valmistuttaja.....	194
Lisätietoja saat soittamalla.....	194
Tässä oppaassa käytetyt merkinnät	194
Luku 1. Yleiskatsaus ja yleisominaisuudet	195
Johdanto	195
Käyttöaihe.....	195
Käytön vasta-aiheet.....	195
Etupaneeli.....	196
Takapaneeli	196
Pohjanäkymä	197
Lisävarustelista.....	197
Yhteensopivat suonensulkuinstrumentit.....	197
Luku 2. Potilas- ja leikkaussaliturvallisuus	198
Varoitukset ja huomiomerkinnot	198
Yleiskatsaus	198
Generaattorin käynnistysturvallisuus.....	198
Sähkömagneettinen yhteensopivuus	199
Tulipalovaara suu- ja nielukirurgian aikana	199
Sydämentahdistimet ja rytmihäiriötahdistimet.....	199
CoolSeal™-instrumentin yhdistäminen.....	200
CoolSeal™-generaattorin puhdistus	200
CoolSeal™-generaattorin huoltaminen	200
Luku 3. CoolSeal™-generaattorin käynnistys ja käyttö	201
CoolSeal™-generaattorin purkaminen pakkauksesta	201
CoolSeal™-generaattorin tarkastaminen.....	201
Käynnistysturvallisuus.....	201
CoolSeal™-generaattorin asentaminen.....	202
Äänenvoimakkuuden säätö	203

CoolSeal™-instrumentin yhdistäminen	203
CoolSeal™-instrumentin yhdistäminen CoolSeal™-generaattoriin	203
CoolSeal™-instrumentin aktivointi	203
Hälytystilojen kuvaukset	204
Luku 4. Leikkauksen jälkeen	207
CoolSeal™-generaattorin sammuttaminen	207
CoolSeal™-generaattorin valmistelu uudelleenkäyttöä varten	207
Luku 5. Vianmääritys	208
Yleiset vianmääritysohjeet	208
Toimintahäiriöiden korjaaminen	208
Epänormaali potilasvaste	208
CoolSeal™-generaattorin toimintahäiriöt	208
Mahdolliset vaikutukset muihin laitteisiin	210
Luku 6. Määräaikainen toimintatestaus, ylläpito ja huolto	211
Valmistajan vastuu	211
Määräaikainen toimintatestaus ja ylläpito	211
Koska määräaikainen toimintatestaus tulee suorittaa?	211
Koska virtajohto tulee vaihtaa?	211
Koska sulakkeet tulee vaihtaa?	211
Kuinka sulakkeet voidaan vaihtaa?	211
Tuotteen huolto	212
CoolSeal™-generaattorin palauttaminen huollettavaksi	212
Ohjelmistopäivitykset	212
Luku 7. Tekniset tiedot	213
Suorituskykyominaisuudet	213
Yleistä	213
Mitat ja paino	213
Käyttöparametrit	213
Kuljetus ja säilytys	213
Sisäinen muisti	213
Aktivointiäänäni	214
Hälytysäänäni	214
Syöttöteho	214
Virtajohdon tiedot	214

Tekniset tiedot	215
Syöttötaajuus.....	215
Syöttövirta.....	215
Varavirta.....	215
Tasapotentialiliitäntä.....	215
Käyttöjakso.....	215
Matalan taajuuden (50/60 Hz) vuotovirta.....	215
Standardit ja IEC-luokitukset.....	215
Symbolit	216
Luokitukset	217
Luokan I laite (IEC 60601-1).....	217
Sähkömagneettinen yhteensopivuus (IEC 60601-1-2).....	217
Tyypin CF laite (IEC 60601-1).....	217
IP XX nesteen sisäänkäyminen / roiskeet (IEC 60601-1 ja IEC 60601-2-2).....	217
Jännitteen siirtymät - energia-alustan verkkovirta (IEC 60601-1 ja IEC 60601-2-2).....	217
Sähkömagneettinen yhteensopivuus (IEC 60601-1-2 and IEC 60601-2-2).....	217
Lähtöteho-ominaisuudet	217
CoolSeal™-generaattorin enimmäislähtöteho.....	217
Sähkömagneettinen häiriönsieto.....	218
Liite A - Määräaikainen toimintatestaus	222
Määritelmät.....	222
Vaadittu laitteisto.....	222
Hyväksytyt / hylätyt -kriteerit.....	222
Menetelmä.....	223
Määräaikaisen toimintatestauksen yhteenvetolomake.....	226
Takuu	228

Alkutiedot

Tätä opasta ja siinä kuvattuja laitteita saavat käyttää vain pätevät lääketieteen ammattilaiset, joilla on koulutus nimenomaiseen suoritettavaan tekniikkaan ja kirurgiseen toimenpiteeseen. Se on tarkoitettu ohjeeksi vain CoolSeal™-generaattorin käyttöön.

Tämän oppaan käsittelemät laitteet

CoolSeal™-generaattori – CSL-200-50

Patenttitiedot

<https://BolderSurgical.com/patents/>

Tavaramerkkitiedot

CoolSeal™-generaattori

Valmistuttaja:



Bolder Surgical
331 S. 104th Street, Suite 200
Louisville, CO 80027
Valmistettu USA:ssa
Puh: +1 866 683 1743
www.BolderSurgical.com

Valtuutettu edustaja:



Emergo Europe B.V.
Prinsessegracht 20
2514 AP Haag
Alankomaat

Lisätietoja saat soittamalla

+1 866 683 1743

Tässä oppaassa käytetyt merkinnät

Varoitus

Osoittaa mahdollisesti vaarallisen tilanteen, joka voi johtaa kuolemaan tai vakavaan loukkaantumiseen, ellei sitä vältetä

Huomio

Osoittaa mahdollisesti vaarallisen tilanteen, joka voi johtaa lievään tai kohtalaiseen loukkaantumiseen, ellei sitä vältetä

Huomautus

Osoittaa vaaraa, joka voi johtaa tuotevaurioon.

Tärkeää

Osoittaa käyttövinkin tai huoltoehdotuksen.

Luku 1. Yleiskatsaus ja yleisominaisuudet

Tämä osa sisältää seuraavat tiedot:

- Johdanto
- Käyttöaiheet
- Käytön vasta-aiheet
- Etupaneeli
- Takapaneeli
- Pohjanäkymä
- Lisävarustelista
- Yhteensopivat suonensulkuinstrumentit

Huomio

Lue kaikki tämän generaattorin mukana toimitetut varoitukset, huomiomerkinnät ja ohjeet ennen käyttöä. Tämä opas ei sisällä erityisiä ohjeita CoolSeal™-instrumenteille. Katso varoitukset, huomiomerkinnät ja käyttöohjeet CoolSeal™-instrumentin käyttöohjeista.

Yhdysvaltain liittovaltion laki rajoittaa tämän laitteen myynnin tapahtuvaksi lääkärin toimesta tai lääkärin määräyksestä.

Johdanto

CoolSeal™-generaattori tuottaa radiotaajuusenergiaa (RF) suonensulkusovelluksiin.

CoolSeal™-generaattori havaitsee koodatut instrumentit automaattisesti ja määrittää CoolSeal™-generaattorin sen mukaan. Turvallisuus- ja diagnostiikkatoiminto sisältää automaattiset vikaturvalliset toiminnot.

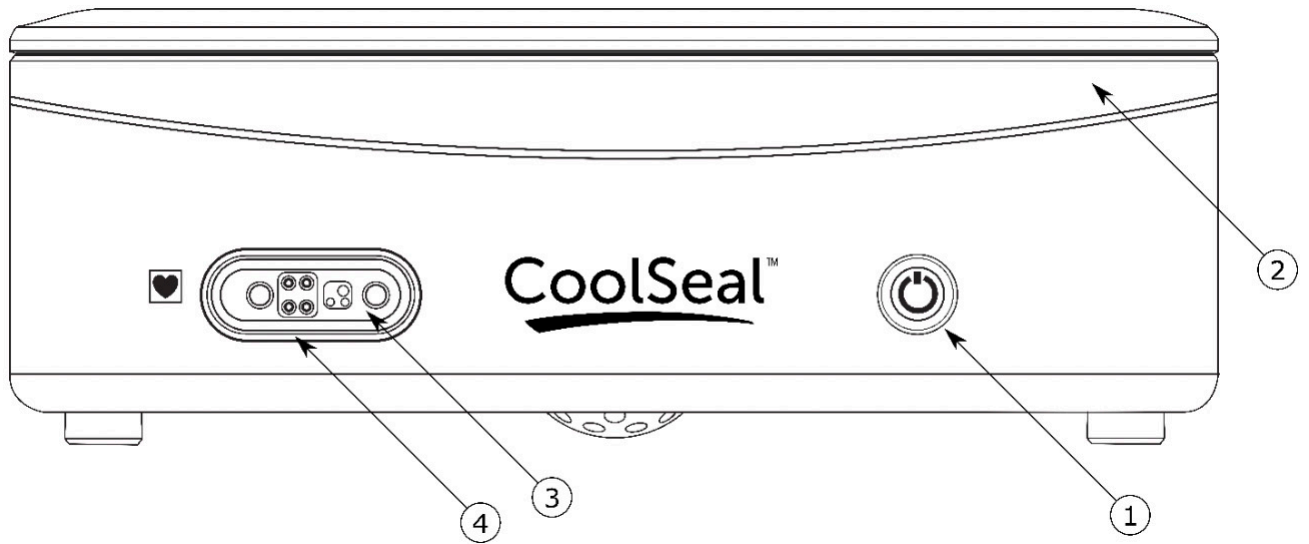
Käyttöaihe

CoolSeal™-generaattori on tarkoitettu tuottamaan radiotaajuusenergiaa (RF) yhteensopiville CoolSeal™-instrumenteille suonensulkusovelluksiin. Nimenomainen sovellus riippuu yhteensopivasta kirurgisesta laitteesta, joka on kytketty generaattoriin. Tämä generaattori on suunniteltu käytettäväksi vain kirurgisten laitteiden kanssa, jotka ovat yhteensopivia CoolSeal™-teknologian kanssa.

Käytön vasta-aiheet

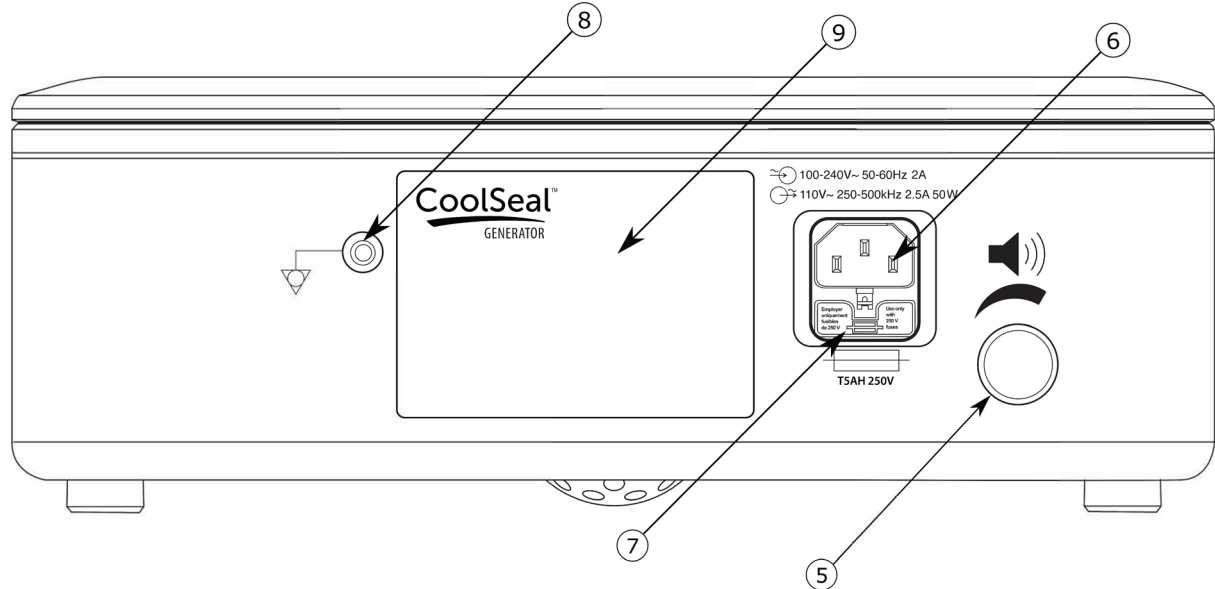
Ei tunneta erityisesti CoolSeal™-generaattoriin liittyen.

Etupaneeli



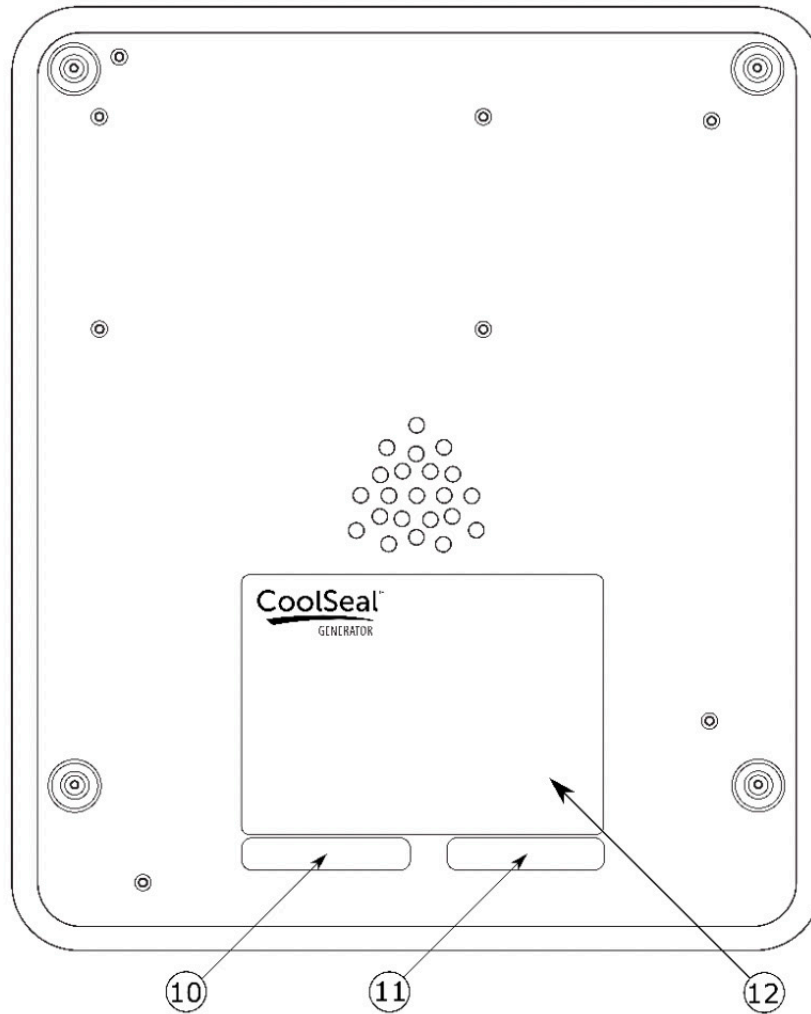
- (1) Valaistu virtapainike
- (2) Aktivointinäyttö
- (3) CoolSeal™-instrumenttipistoke
- (4) Instrumenttipistokenäyttö

Takapaneeli



- (5) Äänenvoimakkuuden säädön hallinta
- (6) Virtajohdon liitäntä
- (7) Sulakerasia
- (8) Tasapotentiaaliliitin
- (9) Turvallisuusvaroitukset ja -huomiomerkinnot

Pohjanäkymä



- (10) Lopullinen testauspäivämerkintä
- (11) Ohjelmistoversiomerkinä
- (12) Valmistustietomerkinä

Lisävarustelista

Virtajohto - USAssa käytettävä
CSL-FTC toimintatestikaapeli (ei sisälly toimitukseen)

Yhteensopivat suonensulkuinstrumentit

Yhteensopivissa CoolSeal™-instrumenteissa on liittimet, jotka vastaavat seuraavaa kuvaa.
Katso yhteensopivuus CoolSeal™-teknologian kanssa CoolSeal™-instrumentin käyttöohjeista.



Luku 2. Potilas- ja leikkaussaliturvallisuus

Sähkökirurgian turvallinen ja tehokas käyttö riippuu suurelta osin tekijöistä, jotka ovat yksinomaan käyttäjän valvonnassa. Asianmukaisesti koulutettua ja valpasta leikkaustiimiä ei voida korvata. On tärkeää, että tämän tai minkä tahansa sähkökirurgisen laitteen mukana toimitetut käyttöohjeet luetaan, ymmärretään ja niitä noudatetaan. Sähkökirurgiaa on käytetty turvallisesti lukuisissa toimenpiteissä. Ennen minkään kirurgisen toimenpiteen aloittamista kirurgilla tulee olla koulutus suoritettavaan tekniikkaan ja kirurgiseen toimenpiteeseen, hänen on tunnettava toimenpiteeseen ja mahdollisiin komplikaatioihin liittyvä lääketieteellinen kirjallisuus ja tunnettava sähkökirurgian käytön riskit vs. hyödyt kyseisessä toimenpiteessä.

CoolSeal™-generaattorin turvallisen käytön edistämiseksi tässä osassa esitellään tässä käyttöoppaassa esiintyvät varoitukset ja huomiomerkinnät. On myös tärkeää, että luet, ymmärrät ja noudatat CoolSeal™-instrumentin käyttöohjeissa mainittuja käyttöohjeita.

Varoitukset ja huomiomerkinnät

Yleiskatsaus

Huomio
Lue kaikki tämän generaattorin mukana toimitetut varoitukset, huomiomerkinnät ja ohjeet ennen käyttöä. Tämä opas ei sisällä erityisiä ohjeita CoolSeal™-instrumenteille. Katso varoitukset, huomiomerkinnät ja käyttöohjeet CoolSeal™-instrumentin käyttöohjeista.
Yhdysvaltain liittovaltion laki rajoittaa tämän laitteen myynnin tapahtuvaksi lääkärin toimesta tai lääkärin määräyksestä.

Generaattorin käynnistysturvallisuus

Varoitus
Sähköiskuvaara: Liitä järjestelmän virtajohto oikein maadoitettuun pistorasiaan. Älä käytä virtapistokesovittimia.
Tulipalovaara: Älä käytä jatkojohtoja tai usean pistokkeen pistorasioita.
Potilasturvallisuus: Käytä CoolSeal™-generaattoria vain, jos käynnistyksen itsetesti on suoritettu tässä oppaassa kuvatulla tavalla, muuten seurauksena voi olla epätarkkoja virtalähtöjä.
Tämä laite on tarkoitettu vain koulutettujen, toimiluvan saaneiden lääkäreiden käyttöön. Tämän laitteen käyttö ilman tällaista koulutusta voi johtaa vakavaan potilasvammaan.
CoolSeal™-generaattori on yhteensopiva vain CoolSeal™-instrumenttien kanssa. Mitään muita bipolaari-instrumentteja ei voida käyttää.
Älä kiedo instrumentin johtoja metalliesineiden ympärille. Tämä voi aiheuttaa harhavirtaa, joka voi johtaa potilaan tai leikkaustiimin sähköiskuihin, tulipaloihin tai loukkaantumiseen.
Sähköiskuvaara: Älä kytke märkiä instrumenttiliittimiä CoolSeal™-generaattoriin. Varmista, että kaikki instrumentit ja sovittimet on kytketty oikein.
Tarkista laitteen kaapeli murtumien, halkeamien, kolojen ja muiden vaurioiden varalta ennen jokaista käyttöä. Älä käytä, jos se on vaurioitunut. Vaurioituneet laitekaapelit voivat aiheuttaa loukkaantumisen tai sähköiskun potilaalle tai leikkaustiimille.

Huomio

Aseta järjestelmän äänenvoimakkuuden säätö tasolle, jolla varmistetaan, että aktivointiäänet ovat kuultavissa.

Älä käännä aktivointiääntä alas tasolle, jota ei kuulla. Aktivointiääni hälyttää leikkaustiimin, kun CoolSeal™-generaattori lähettää radiotaajuusenergiaa.

Tutki kaikki instrumentit ja järjestelmän liitännät ennen käyttöä. Varmista, että instrumentit toimivat tarkoitetulla tavalla. Virheellinen liitäntä voi johtaa kaariin, kipinöihin, instrumentin toimintahäiriöön tai tahattomiin kirurgisiin vaikutuksiin.

Toimimaton CoolSeal™-generaattori voi keskeyttää leikkauksen. Varajärjestelmän tulee olla käytettävissä.

Muiden kuin määriteltyjen laiteliittimien, kuten virtajohtojen, käyttö voi johtaa lisääntyneisiin päästöihin tai heikentyneeseen laitteen häiriönsietoon.

Pidä mahdollisimman suuri etäisyys CoolSeal™-generaattorin ja muiden elektronisten laitteiden, kuten monitorien, välillä. Älä laita ristikkäin tai niputa elektronisten laitteiden johtoja. Tämä generaattori voi aiheuttaa häiriöitä muihin elektronisiin laitteisiin. Jos häiriöitä esiintyy, siirrä laite toiseen paikkaan.

Tutkimukset ovat osoittaneet, että sähkökirurgisten toimenpiteiden aikana syntynyt savu voi olla potentiaalisesti haitallista potilaille ja leikkaustiimille. Näissä tutkimuksissa suositellaan savun riittävää tuuletusta käyttämällä kirurgista savuimuria tai muita keinoja.¹

1. U.S. Department of Health and Human Services. National Institute for Occupational Safety and Health (NIOSH). Control of Smoke from Laser/Electric Surgical Procedures. HAZARD CONTROLS, Publication No. 96-128, September 1996.

Sähkömagneettinen yhteensopivuus

Varoitus

Tämän laitteen käyttöä muiden laitteiden vieressä tai pinottuna tulisi välttää, koska se voi johtaa vääränlaiseen toimintaan. Jos tällainen käyttö on välttämätöntä, tätä laitetta ja muita laitteita on tarkkailtava sen varmistamiseksi, että ne toimivat normaalisti.

Kannettavia radiotaajuuslaitteita tulee käyttää vähintään 30 cm:n (12 tuuman) etäisyydellä CoolSeal™-generaattorin mistä tahansa osasta, mukaan lukien Bolder Surgicalin määrittelemät kaapelit. Muussa tapauksessa tämän laitteen suorituskyky voi heikentyä.

Tulipalovaara suu- ja nielukirurgian aikana

Varoitus

Varmista, että endotrakeaaliputkissa ei ole vuotoja ja että mansetti tiivistyy kunnolla happivuotojen estämiseksi.

Sydämentahdistimet ja rytmihäiriötahdistimet

Varoitus

ÄLÄ KÄYTÄ potilailla, joilla on sähköisiä implantteja kuten sydämentahdistimia, ottamatta ensin yhteyttä pätevään ammattilaiseen (esim. kardiologiin). Mahdollinen vaara on olemassa, koska elektronisen implantin toiminnassa voi esiintyä häiriöitä tai implanti saattaa vahingoittua.

CoolSeal™-instrumentin yhdistäminen

Varoitus

Sähköiskuvaara

- Älä kytke märkiä instrumentteja CoolSeal™-generaattoriin
- Varmista, että kaikki instrumentit on liitetty oikein ja ettei metallia ole paljaana missään liitäntäkohdassa

Aseta instrumentti kunnolla pistokkeeseen. Virheellinen liitäntä voi johtaa laitteen tahattomaan aktivoitumiseen tai muihin mahdollisesti vaarallisiin olosuhteisiin. Noudata CoolSeal™-suonensulkuinstrumenttien mukana toimitettuja ohjeita.

Tämän järjestelmän instrumenttipistoke on suunniteltu vastaanottamaan vain yhden instrumentin kerrallaan. Älä yritä liittää useampaa kuin yhtä instrumenttia kerrallaan tiettyyn pistokkeeseen. Se aiheuttaa instrumenttien samanaikaisen aktivoinnin.

Huomio

Tarkasta instrumentit ja johdot murtumien, halkeamien, kolojen ja muiden vaurioiden varalta ennen jokaista käyttöä. Älä käytä, jos se on vaurioitunut. Vaurioituneet instrumentit tai johdot voivat johtaa potilaan tai leikkaustiimin loukkaantumiseen tai sähköiskuun.

CoolSeal™-generaattorin puhdistus

Varoitus

Sähköiskuvaara

Katkaise aina virta ja irrota CoolSeal™-generaattori pistokkeesta ennen puhdistamista.

CoolSeal™-generaattorin huoltaminen

Varoitus

Sähköiskuvaara

Älä poista CoolSeal™-generaattorin kantta.

Älä yritä huoltaa CoolSeal™-generaattoria. Bolder Surgical™-tekniikan tulee suorittaa kaikki huolto- ja korjaustyöt.

Huomio

CoolSeal™-generaattoria ei saa hävittää käyttöiän lopussa muun jätteen kanssa. Jos haluat kierrättää jätelaitteita, hanki ohjeet Bolder Surgicalilta (soita +1 866 683 1743), tai ota yhteyttä paikalliseen myyntiedustajaasi keskustellaksesi paikallisista jätehuoltoratkaisuista ja -prosesseista. CoolSeal™-generaattorin aiheuttamat hävittämisriskit ovat samanlaisia kuin kulutuselektroniikan, kuten tietokoneiden. CoolSeal™-generaattorissa ei ole vuotavia radioaktiivisia aineita, paristoja tai vaarallisia nesteitä.

Luku 3. CoolSeal™-generaattorin käynnistys ja käyttö

Tämä luku käsittelee seuraavia aiheita:

- CoolSeal™-generaattorin purkaminen pakkauksesta
- CoolSeal™-generaattorin tarkastaminen
- Käynnistysturvallisuus
- CoolSeal™-generaattorin asentaminen
- Aktivointiäänien äänenvoimakkuuden säätäminen
- CoolSeal™-instrumentin yhdistäminen
- CoolSeal™-instrumentin aktivointi
- Hälytystilojen kuvaukset

Huomio

Lue kaikki tämän generaattorin mukana toimitetut varoitukset, huomiomerkinnot ja ohjeet ennen käyttöä. Tämä opas ei sisällä erityisiä ohjeita CoolSeal™-instrumenteille. Katso varoitukset, huomiomerkinnot ja käyttöohjeet CoolSeal™-instrumentin käyttöohjeista.

CoolSeal™-generaattorin purkaminen pakkauksesta

1. Poista CoolSeal™-generaattori kuljetuslaatikosta ja pakkausmateriaalista.
2. Tarkista laite näkyvien vaurioiden varalta.

CoolSeal™-generaattorin tarkastaminen

Varmista ennen jokaista CoolSeal™-generaattorin käyttöä, että yksikkö ja kaikki lisävarusteet ovat hyvässä kunnossa:

- Tarkasta generaattori ja kaikki sen liitännät vaurioiden varalta.
- Tarkasta kaikki johdot ja liittimet kulumisen, vaurioiden ja kulumisen merkkien varalta.
- Varmista, että virheitä ei ilmene, kun käynnistät yksikön.

Käynnistysturvallisuus

Varoitus

Sähköiskuvaara: Liitä järjestelmän virtajohto oikein maadoitettuun pistorasiaan. Älä käytä virtapistokesovittimia.

Tulipalovaara: Älä käytä jatkojohtoja tai usean pistokkeen pistorasioita.

Potilasturvallisuus: Käytä CoolSeal™-generaattoria vain, jos käynnistykseen itsetesti on suoritettu tässä oppaassa kuvatulla tavalla, muuten seurauksena voi olla epätarkkoja virtalähtöjä.

Tämä laite on tarkoitettu vain koulutettujen, toimiluvan saaneiden lääkäreiden käyttöön. Tämän laitteen käyttö ilman tällaista koulutusta voi johtaa vakavaan potilasvammaan.

CoolSeal™-generaattori on yhteensopiva vain CoolSeal™-instrumenttien kanssa. Mitään muita bipolaari-instrumentteja ei voida käyttää.

Älä kiedo instrumentin johtoja metalliesineiden ympärille. Tämä voi aiheuttaa harhavirtaa, joka voi johtaa potilaan tai leikkaustiimin sähköiskuihin, tulipaloihin tai loukkaantumiseen.

Sähköiskuvaara: Älä kytke märkiä instrumenttiliittimiä CoolSeal™-generaattoriin. Varmista, että kaikki instrumentit ja sovittimet on kytketty oikein.

Tarkista laitteen kaapeli murtumien, halkeamien, kolojen ja muiden vaurioiden varalta ennen jokaista käyttöä. Älä käytä, jos se on vaurioitunut. Vaurioituneet laitekaapelit voivat aiheuttaa loukkaantumisen tai sähköiskun potilaille tai leikkaustiimille.

Huomio

Aseta järjestelmän äänenvoimakkuuden säätö tasolle, jolla varmistetaan, että aktivointiäänät ovat kuultavissa.

Älä käännä aktivointiääntä alas tasolle, jota ei kuulla. Aktivointiääni hälyttää leikkaustiimin, kun CoolSeal™-generaattori lähettää radiotaajuusenergiaa.

Tutki kaikki instrumentit ja järjestelmän liitännät ennen käyttöä. Varmista, että instrumentit toimivat tarkoitetulla tavalla. Virheellinen liitäntä voi johtaa kaariin, kipinöihin, instrumentin toimintahäiriöön tai tahattomiin kirurgisiin vaikutuksiin.

Toimimaton CoolSeal™-generaattori voi keskeyttää leikkauksen. Varajärjestelmän tulee olla käytettävissä.

Muiden kuin määriteltyjen laiteliittimien, kuten virtajohtojen, käyttö voi johtaa lisääntyneisiin päästöihin tai heikentyneeseen laitteen häiriönsietoon.

Pidä mahdollisimman suuri etäisyys CoolSeal™-generaattorin ja muiden elektronisten laitteiden, kuten monitorien, välillä. Älä laita ristikkäin tai niputa elektronisten laitteiden johtoja. Tämä generaattori voi aiheuttaa häiriöitä muihin elektronisiin laitteisiin. Jos häiriöitä esiintyy, siirrä laite toiseen paikkaan.

Tutkimukset ovat osoittaneet, että sähkökirurgisten toimenpiteiden aikana syntynyt savu voi olla potentiaalisesti haitallista potilaille ja leikkaustiimille. Näissä tutkimuksissa suositellaan savun riittävää tuuletusta käyttämällä kirurgista savuimuria tai muita keinoja.¹

1. U.S. Department of Health and Human Services. National Institute for Occupational Safety and Health (NIOSH). Control of Smoke from Laser/Electric Surgical Procedures. HAZARD CONTROLS, Publication No. 96-128, September 1996.

CoolSeal™-generaattorin asentaminen

1. Aseta CoolSeal™-generaattori tasaiselle, vakaalle pinnalle, kuten pöydälle, alustalle, puomijärjestelmälle tai kärrylle. Kärryjä, joissa on johtamattomat pyörät, suositellaan. Katso paikallisen laitoksen menettelytavat tai paikalliset menettelyohjeet.
2. Liitä tasapotentialiiliitin maadoituslähteeseen, jos laitos tai paikalliset menettelyohjeet sitä edellyttävät.
3. Liitä järjestelmän virtajohto takapaneelin sähköliitäntään.
4. Liitä järjestelmän virtajohto maadoitettuun verkkovirran seinäpistokkeeseen.

Huomautus

Älä kytke CoolSeal™-generaattoria jatkojohtoon.

Älä sijoita laitetta niin, että virtajohtoa on vaikea irrottaa.

Tärkeää

Jos CoolSeal™-generaattoria kuljetetaan tai varastoidaan käyttölämpötila-alueen ulkopuolella olevissa lämpötiloissa, anna sen levätä tunnin käyttölämpötilan saavuttamiseksi ennen käyttöä.

Käynnistä järjestelmä painamalla virran valmiustilapainiketta () laitteen etuosassa. Tarkkaile seuraavia seikkoja käynnistyksen itsetestin aikana:

- Yksikkö suorittaa käynnistyksen itsetestin.
- Virtapainike palaa vihreänä.
- Hälytysääni päästää kolme (3) ½ sekunnin ääntä itsetarkistuksen onnistuneen suorittamisen jälkeen.

Huomautus

Varmista ennen instrumenttien liittämistä, että järjestelmä on suorittanut käynnistyksen itsetestin onnistuneesti.

Jos yksikkö epäonnistuu käynnistyksen itsetestissä:

- Virtapainike ei syty tai palaa punaisena
- Hälytysääni päästää yhden (1) ½ sekunnin äänen epäonnistuneen itsetestin jälkeen

Katso lisätietoja kohdista Hälytystilat tai Vianmääritys

Äänenvoimakkuuden säätö

Hälytys- ja aktivointiäänien äänenvoimakkuutta voidaan säätää kääntämällä äänenvoimakkuuden säädintä CoolSeal™-generaattorin takapaneelissa.

Huomautus

Hälytysäänien vähimmäisäänenvoimakkuus on aina kovempi kuin aktivointiäänien.

CoolSeal™-instrumentin yhdistäminen

Varoitus

Sähköiskuvaara

- Älä kytke märkiä instrumentteja CoolSeal™-generaattoriin.
- Varmista, että kaikki instrumentit on liitetty oikein ja ettei metallia ole paljaana missään liitännäkohdassa.

Aseta instrumentti kunnolla pistokkeeseen. Virheellinen liitäntä voi johtaa laitteen tahattomaan aktivoitumiseen tai muihin mahdollisesti vaarallisiin olosuhteisiin. Noudata CoolSeal™-instrumenttien mukana toimitettuja ohjeita oikeasta liitännästä ja käytöstä.

Tämän järjestelmän instrumenttipistoke on suunniteltu vastaanottamaan vain yhden instrumentin kerrallaan. Älä yritä liittää useampaa kuin yhtä instrumenttia kerrallaan tiettyyn pistokkeeseen. Se aiheuttaa instrumenttien samanaikaisen aktivoinnin.

Huomio

Tarkasta instrumentit ja johdot murtumien, halkeamien, kolojen ja muiden vaurioiden varalta ennen jokaista käyttöä. Älä käytä, jos se on vaurioitunut. Vaurioituneet instrumentit tai johdot voivat johtaa potilaan tai leikkaustiimin loukkaantumiseen tai sähköiskuun.

CoolSeal™-instrumentin yhdistäminen CoolSeal™-generaattoriin

1. Liitä CoolSeal™-instrumentti CoolSeal™-generaattorin etupaneelin instrumenttipistokkeeseen.
2. Tarkista oikea sijoitus ja liitäntä seuraamalla vihreällä valaistua instrumenttipistokkeen näyttöä.

Jos CoolSeal™-generaattori ei tunnista liitettyä instrumenttia, instrumenttipistokenäyttö syttyy punaisena tai ei pala ja kuuluu yksi hälytysääni. Katso kohtaa Hälytystilat tai Vianmääritys.

CoolSeal™-instrumentin aktivointi

1. Aktivoi CoolSeal™-instrumentti laitteen käyttöohjeiden mukaisesti.
2. Tarkkaile seuraavia seikkoja instrumentin aktivoinnin aikana:
 - Aktivointinäyttö palaa sinisenä ja sen kirkkaus vaihtelee energiantoimituksen ajan.
 - Aktivointiääni kuuluu jatkuvasti energiantoimituksen aikana.
3. Kun sulkujakso on valmis, tarkkaile seuraavaa:
 - Kolme peräkkäistä ääntä kuuluu, kun sulku on valmis. Aktivointipainike tulee sitten vapauttaa.
 - CoolSeal™-generaattorin etupaneelin aktivointinäyttö kirkastuu hetkellisesti sinisenä.
 - Sitten aktivointinäyttö sammuu.

Jos ilmenee hälytystila, katso kohtaa Hälytystilat tai Vianmääritys.

Hälytystilojen kuvaukset

Kun hälytystila ilmenee:

- Hälytysääni kuuluu
- Yksi CoolSeal™-generaattorin näytöistä näkyy sinisenä, keltaisena tai punaisena
- Energian toimitus keskeytyy

Energiaa on saatavilla hälytystilan korjaamisen jälkeen. Katso seuraavasta taulukosta hälytystilojen ratkaisut:

Hälytystila:	Merkki:	Syyt:	Ratkaisu:
Sulku valmis	<ul style="list-style-type: none"> • Kolme peräkkäistä hälytysääntä • Radiotaajuusenergian toimitus loppuu • Aktivoitinäyttö kirkastuu sinisenä puoli (0,5) sekuntia 	Onnistunut suonensulku.	Ei mitään. Normaali toiminta.
Aktivoi uudelleen / keskeneräinen sulku	<ul style="list-style-type: none"> • Kolmen hälytysäänen sarja • Radiotaajuusenergian toimitus loppuu • Aktivoitinäyttö kirkastuu keltaisena yhden (1) sekunnin ajan 	<p>Sulku aika ylittää viisi (5) sekuntia TAI</p> <p>Käyttäjä joko avasi instrumentin leuat tai vapautti aktivoitipainikkeen, mikä aiheuttaa sulkujakson keskeytymisen ennen sulun valmistumista TAI</p> <p>Virta pysyy enimmäisvirtarajoituksessa yli neljä (4) sekuntia, mikä osoittaa, että leukojen välillä on tapahtunut sähköinen oikosulku TAI</p> <p>Laite on aktivoitu ilmassa.</p>	<ol style="list-style-type: none"> 1. Vapauta aktivoitipainike 2. Aktivoi sulkujakso uudelleen painamalla aktivoitipainiketta muuttamatta instrumentin sijaintia 3. Avaa instrumentin leuat ja tarkista, onko sulku onnistunut 4. Jos mahdollista, muuta instrumentin sijaintia ja tartu kudokseen toisessa paikassa ja aktivoi sitten sulkujakso uudelleen 5. Tarkista sulku silmämääräisesti ennen leikkaamista
Mahdollisia käytön tiloja ovat mm.:			
		Ohueen kudokseen tarttuminen tai aktivointi ilmassa.	Avaa leuat ja varmista, että leukojen sisällä on riittävä määrä kudosta. Lisää tarvittaessa kudoksen määrää ja toista toimenpide
		Liiallisen kudoksen ottaminen leukojen väliin.	Avaa leuat ja vähennä otettavan kudoksen määrää ja aktivoi sulkujakso uudelleen
		Tarttuminen metalliesineeseen.	Vältä esineiden, kuten niittien, klipsien tai kapseloitujen ompeleiden tarttumista instrumentin leukoihin
		Aktivointi liiallisissa nestekertymissä instrumentin kärjen ympärillä.	<ol style="list-style-type: none"> 1. Minimoi tai poista liiallinen neste 2. Aktivoi sulkujakso uudelleen muuttamatta instrumentin paikkaa
		Elektrodikärjissä on liikaa arpikudosta.	Puhdista instrumentin leukojen pinnat ja reunat määrällä sideharsolapulla.

Järjestelmävirhe	<ul style="list-style-type: none"> • Yksittäinen hälytysääni • Radiotaajuusenergian jakelu pysähtyy, virtapainike palaa ja pysyy punaisena 	Generaattori ei toimi kunnolla, sisäinen itsetarkistus epäonnistui.	<ol style="list-style-type: none"> 1. Sammuta generaattori painamalla virtapainiketta 2. Odota vähintään 30 sekuntia 3. Kytke generaattori päälle painamalla virtapainiketta 4. Varmista, että virtapainike palaa vihreänä ennen käyttöä. <p>Jos järjestelmävirhe toistuu:</p> <ul style="list-style-type: none"> • Älä käytä generaattoria. • Käytä toista CoolSeal™-generaattoria tai muuta keinoa suorittaa toimenpide. <p>Palauta viallinen generaattori tämän oppaan Tuotteen huolto-kohdan ohjeiden mukaan.</p>
Instrumenttinvirhe	<ul style="list-style-type: none"> • Yksittäinen hälytysääni • Instrumenttipistokenäyttö syttyy keltaisena ja vilkkuu jatkuvasti • Generaattori ei salli radiotaajuusenergian toimittamista 	Generaattori ei toimi kunnolla, sisäinen itsetarkistus epäonnistui.	<ol style="list-style-type: none"> 1. Irrota instrumentti generaattorista. 2. Varmista, että instrumentin aktivointipainiketta ei paineta. 3. Liitä instrumentti uudelleen generaattoriin. 4. Varmista, että instrumenttipistokenäyttö palaa vihreänä <p>Jos instrumenttinvirhe toistuu:</p> <ul style="list-style-type: none"> • Älä käytä instrumenttia • Käytä toista CoolSeal™-instrumenttia.
		Mahdollisia käytön tiloja ovat mm.:	
		Laitteen aktivointipainikkeen tahaton painaminen laitteen liittämisen aikana.	Poista instrumentin aktivointipainiketta painavat esineet ja liitä instrumentti uudelleen.
Instrumenttikytin toimii virheellisesti.	Vaihda instrumentti.		

Käyttökelvoton instrumentti	<ul style="list-style-type: none"> • Yksittäinen hälytysääni • Instrumenttipistokenäyttö palaa ja pysyy punaisena • Generaattori ei salli radiotaajuusenergian toimitusta 	Käyttökelvoton instrumentti on liitetty.	<ol style="list-style-type: none"> 1. Irrota instrumentti generaattorista. 2. Varmista, että instrumentti on CoolSeal™-yhteensopiva 3. Liitä instrumentti uudelleen generaattoriin. 4. Vahvista, että instrumenttipistokenäyttö palaa vihreänä <p>Jos instrumenttivilhe toistuu:</p> <ul style="list-style-type: none"> • Älä käytä instrumenttia • Käytä toista CoolSeal™-instrumenttia.
		Mahdollisia käytön tiloja ovat mm.:	
		Liitetty laite ei ole yhteensopiva CoolSeal™-teknologian kanssa.	Varmista instrumentin CoolSeal™-yhteensopivuus instrumentin käyttöohjeista.
		Liitettyä instrumenttia on käytetty aiemmin.	Hävitä instrumentti.
Instrumenttia ei voi käyttää ohjelmistoversiolla.	<p>Varmista, että instrumentin tarvitsema ohjelmistoversio ei ole suurempi kuin CoolSeal™-generaattorin pohjaan merkitty ohjelmistoversio.</p> <p>Katso kohtaa Ohjelmistopäivitys ohjelmistopäivitystä varten.</p>		

Luku 4. Leikkauksen jälkeen


Tämä luku käsittelee seuraavia aiheita:

- CoolSeal™-generaattorin sammuttaminen
- CoolSeal™-generaattorin valmistelu uudelleenkäyttöä varten

Huomio

Lue kaikki tämän generaattorin mukana toimitetut varoitukset, huomiomerkinnot ja ohjeet ennen käyttöä. Tämä opas ei sisällä erityisiä ohjeita CoolSeal™-instrumenteille. Katso varoitukset, huomiomerkinnot ja käyttöohjeet CoolSeal™-instrumentin käyttöohjeista.

CoolSeal™-generaattorin sammuttaminen

1. Sammuta järjestelmä painamalla virran valmiustilapainiketta () laitteen etuosassa. Tarkkaile seuraavia seikkoja:
 - Virran valmiustilapainikkeen valo sammuu.

Tarvittaessa generaattori voidaan sammuttaa poistamalla virtajohdon liitäntä joko virtakytkennästä tai seinästä.

CoolSeal™-generaattorin valmistelu uudelleenkäyttöä varten

Vaihe 1 - CoolSeal™-instrumenttien irrotus

1. Irrota instrumentti etupaneelistä.
2. Hävitä kertakäyttöinen instrumentti laitoksen menettelytapojen mukaisesti.

Vaihe 2 - CoolSeal™-generaattorin puhdistus

Varoitus

Sähköiskuvaara

Katkaise aina virta ja irrota CoolSeal™-generaattori pistokkeesta ennen puhdistamista.

Huomautus

Puhdista CoolSeal™-generaattori syttymättömillä puhdistus- ja desinfiointiaineilla aina kun mahdollista. Älä käytä hankaavia puhdistus- tai desinfiointiaineita, liuottimia tai muita materiaaleja, jotka voivat naarmuttaa paneeleja tai vahingoittaa generaattoria, kuten kloorattuja hiilivetyjä tai muita muoviliuottimia.

- Sammuta generaattori ja irrota virtajohto seinäpistokkeesta.
- Pyyhi generaattorin ja virtajohdon kaikki pinnat huolellisesti miedolla puhdistusaineella tai desinfiointiaineella ja kostealla liinalla. Jos käytät klooripohjaisia valkaisuaineita, laimenna ennen puhdistamista.
- Noudata laitoksen hyväksymiä menettelytapoja tai käytä validoituja infektioiden hallintamenetelmiä.
- Älä upota, huuhtelee aggressiivisesti tai anna muuten nesteiden päästä alustaan.

Luku 5. Vianmääritys

Tämä luku käsittelee seuraavia aiheita:

- Yleiset vianmääritysohjeet
- Toimintahäiriöiden korjaaminen

Huomio

Lue kaikki tämän generaattorin mukana toimitetut varoitukset, huomiomerkinnot ja ohjeet ennen käyttöä. Tämä opas ei sisällä erityisiä ohjeita CoolSeal™-instrumenteille. Katso varoitukset, huomiomerkinnot ja käyttöohjeet CoolSeal™-instrumentin käyttöohjeista.

Yleiset vianmääritysohjeet

Jos CoolSeal™-generaattori ei toimi oikein, tarkista, ovatko ongelman aiheuttaneet nämä perusasiat:

- Varmista, että kaikki johdot on kytketty ja kiinnitetty oikein.
- Tarkista, ettei järjestelmässä ole näkyviä fyysisten vaurioiden merkkejä.
- Sammuta järjestelmä ja käynnistä se uudelleen.

Jos toimintahäiriö jatkuu, järjestelmä saattaa tarvita huoltoa. Ota yhteyttä laitoksesi biolääketiedetekniikan osastoon, Bolder Surgicaliin tai valtuutettuun jakelijaan.

Jos CoolSeal™-järjestelmän käytön aikana tapahtuu vahinkotapahtumia, käyttäjien tulee ilmoittaa näistä ongelmista suoraan Bolder Surgicalille puhelimitse (+1 866 683 1743) tai sähköpostilla (complaints@boldsurg.com) ja paikalliselle viranomaiselle.

Toimintahäiriöiden korjaaminen

Jos ratkaisu ei ole ilmeinen, käytä alla olevaa taulukkoa apuna tiettyjen toimintahäiriöiden tunnistamiseen ja korjaamiseen. Kun olet korjannut toimintahäiriön, tarkista, että järjestelmä suorittaa itsetestauksen, kuten kohdassa Järjestelmän käynnistys on kuvattu.

Epänormaali potilasvaste:

Tila:	Syyt:	Ratkaisu:
Epänormaali hermo- lihasstimulaatio (lopeta leikkaus välittömästi)	Metalli-metalli -kipinöinti	Tarkista kaikki liitännät CoolSeal™-generaattoriin.
	Epänormaalit vuotovirrat 50 Hz - 60 Hz	Käytä CoolSeal™-varageneraattoria. Pyydä apua ottamalla yhteyttä biolääketiedetekniikan osastoon tai Bolder Surgical™-yhtiön teknisen palvelun edustajaan.

CoolSeal™-generaattorin toimintahäiriöt:

Tila:	Syyt:	Ratkaisu:
CoolSeal™-generaattori ei reagoi, kun se kytketään päälle	Irrotettu virtajohto tai viallinen seinäpistoke	Tarkista virtajohdon liitännät (CoolSeal™-generaattori ja seinäpistoke). Liitä virtajohto toimivaan pistorasiaan.
	Viallinen virtajohto	Vaihda virtajohto.
	Sulakkeet ovat palaneet	Pyydä apua ottamalla yhteyttä biolääketiedetekniikan osastoon tai Bolder Surgical™-yhtiön teknisen palvelun edustajaan.
	Sisäisen osan toimintahäiriö	Käytä CoolSeal™-varageneraattoria. Pyydä apua ottamalla yhteyttä biolääketiedetekniikan osastoon tai Bolder Surgical™-yhtiön teknisen palvelun edustajaan.

Järjestelmä on päällä, mutta itsestään ei suoritettu onnistuneesti tai järjestelmä lakkasi toimimasta käytön aikana - Yksittäinen äänimerkki ja virtapainike palaa punaisena	Yksikkö on varastoitu kylmässä paikassa	Anna yksikön lämmetä ympäristön lämpötilaan.
	Korjattavissa oleva ohjelmiston toimintahäiriö	Käytä CoolSeal™-varageneraattoria. Pyydä apua ottamalla yhteyttä biolääketiedetekniikan osastoon tai Bolder Surgical™-yhtiön teknisen palvelun edustajaan.
	Sisäisen osan toimintahäiriö tai ohjelmiston toimintahäiriö, jota ei voida korjata	Sisäisen komponentin toimintahäiriö.
Järjestelmä on päällä ja kuuluu yksi äänimerkki , valo vilkkuu keltaisena instrumenttipistokenäytöllä.	Järjestelmä on käynnistetty viallisella instrumentilla, joka on kytketty instrumenttipistokkeeseen	Kytke instrumentti irti. Sammuta CoolSeal™-generaattori. Käynnistä CoolSeal™-generaattori.
	Väärä tai vanhentunut laite	Liitä instrumentti virtalähteeseen. Vaihda instrumentti, jos sen toimintahäiriö jatkuu.
	Instrumentti ei toimi	
	CoolSeal™-instrumenttia ei voi käyttää ohjelmistoversion kanssa	Pyydä biolääketiedetekniikan osastoa ottamaan yhteyttä laitteen valmistajaan. Katso kohtaa Ohjelmistopäivitys ohjelmistopäivitystä varten.
Järjestelmä on päällä, virtapainike palaa vihreänä , kun liität laitteen virtalähteeseen kuuluu yksi äänimerkki ja punainen instrumenttipistokenäyttö näkyy.	Laitteen tunnistus epäonnistui ajoittaisen yhteyden takia	Irrota instrumentin pistoke Liitä instrumentti tukevasti takaisin paikoilleen.
	Korjattavissa oleva ohjelmiston toimintahäiriö	Sammuta järjestelmä ja käynnistä se sitten uudelleen.
	Sisäisen osan toimintahäiriö tai ohjelmiston toimintahäiriö, jota ei voida korjata	Käytä CoolSeal™-varageneraattoria. Pyydä apua ottamalla yhteyttä biolääketiedetekniikan osastoon tai Bolder Surgical™-yhtiön teknisen palvelun edustajaan.
CoolSeal™-generaattori on päällä ja instrumentti on aktivoitu, mutta järjestelmä ei tuota tulosta - ei äänimerkkejä tai aktivointinäyttöä	Olemassa oleva hälytystila	Katso kohta Hälytystilat.
	Järjestelmä ei tunnista suonensulkuinstrumenttia	Työnnä liitin tukevasti CoolSeal™-generaattorin etupaneelin pistokkeeseen. Varmista, että pistokenäyttö on valaistu vihreänä, mikä osoittaa, että CoolSeal™-instrumentti on asetettu oikein ja tunnistettu.
	Sisäisen osan toimintahäiriö tai ohjelmiston toimintahäiriö, jota ei voida korjata	Pyydä apua ottamalla yhteyttä biolääketiedetekniikan osastoon tai Bolder Surgical™-yhtiön teknisen palvelun edustajaan.
Puutteellinen sulku / uudelleenaktivointi - Kolmen äänimerkin sarja kuuluu, aktivointinäyttö generaattorin näkyy etupaneelissa keltaisena ja radiotaajuuslähde ei ole käytössä	Sulkujakso oli yli 5 sekuntia TAI Käsikytin vapautettiin ennen kuin loppuäänimerkki kuului	Lisääaikaa ja -energiaa tarvitaan sulkujakson loppuun saattamiseksi. Aktivoi sulkujakso uudelleen poistamatta instrumenttia tai sijoittamatta sitä uudelleen. Tarkista sulku silmämääräisesti ennen leikkaamista.
	Metalli tai muu vieras esine on otettu leukoihin	Vältä tarttumasta instrumentin leuoilla esineisiin, kuten nitteihin, klipseihin tai kapseloituihin ompeleisiin.
	Leukoihin otettu kudokset on liian ohut	Avaa leuat ja varmista, että leukojen sisällä on riittävä määrä kudosta. Lisää tarvittaessa kudoksen määrää ja toista toimenpide.
	Kerääntyneet nesteet instrumentin kärjen ympärillä	Minimoi tai poista liiallinen neste. Puhdista elektrodikärjet ja leuat märällä sideharsolapulla.
	Instrumentti on aktivoitu ilmassa	Vapauta aktivointipainike. Tartu kudokseen ja aktivoi sulkujakso.
Instrumentti on kytketty, mutta suonensulku ei aktivoitu	Instrumentti ei ole täysin kytketty instrumenttipistokkeeseen	Kytke instrumentti irti, liitä se uudelleen ja odota hetki.

Mahdolliset vaikutukset muihin laitteisiin:

Tila:	Syyt:	Ratkaisu:
Monitorin jatkuva häiriö	Viallinen monitori	Katso vianmääritys monitorin käyttöohjeista.
	Vialliset alustan maadoitusliitännät	Tarkista ja korjaa monitorin ja CoolSeal™-generaattorin alustan maadoitusliitännät. Tarkista huoneessa olevien muiden sähkölaitteiden maadoitukset vikojen varalta.
	Sähkölaitteet on maadoitettu erilaisiin esineisiin eikä yhteiseen maahan. CoolSeal™-generaattori voi reagoida maadoitettujen esineiden välisiin jännite-eroihin.	Liitä kaikki sähkölaitteet saman paikan verkkovirtaan. Pyydä apua ottamalla yhteyttä biolääketiedetekniikan osastoon tai Bolder Surgical™-yhtiön teknisen palvelun edustajaan.
	Jos häiriöt jatkuvat, kun CoolSeal™-generaattori on aktivoitu, monitori reagoi säteilytaajuuksiin.	Pyydä biolääketiedetekniikan osastoa ottamaan yhteyttä monitorin valmistajaan. Jotkut valmistajat tarjoavat radiotaajuuden tukahduttamissuodattimia käytettäväksi monitorin johdoissa. Suodattimet vähentävät häiriöitä, kun CoolSeal™-generaattori on aktivoitu, ja minimoivat sähkökirurgisen palovamman mahdollisuuden monitorielektrodin kohdalla.
Sydämentahdistimen häiriöt	Ajoittaiset liitännät tai metalli-metalli -kipinäinti	Tarkkaile leikkauksen aikana aina potilaita, joilla on sydämentahdistin, ja pidä defibrillaattori saatavilla.
Rytmihäiriötahdistimen (ICD) aktivointi	CoolSeal™-generaattori aktivoi ICD:n	Pysäytä toimenpide ja ota yhteyttä ICD-valmistajaan ohjeiden saamiseksi.
Häiriöitä muihin laitteisiin ilmenee vain, kun CoolSeal™-generaattori on aktivoitu	Sähköisesti epätasaiset maadoitusjohdot leikkaussalissa	Varmista, että kaikki maadoitusjohdot ovat mahdollisimman lyhyitä ja menevät samaan maadoitettuun metalliin.
	Jos häiriöt jatkuvat, kun CoolSeal™-generaattori on aktivoitu, laite reagoi säteileviin taajuuksiin.	Pyydä biolääketiedetekniikan osastoa ottamaan yhteyttä laitteen valmistajaan.

Luku 6. Määräaikainen toimintatestaus, ylläpito ja huolto

Tässä luvussa esitetään seuraavat tiedot:

- Valmistajan vastuu
- Määräaikainen toimintatestaus ja ylläpito
- Generaattorin palauttaminen huoltoa varten
- Ohjelmistopäivitykset

Huomio

Lue kaikki tämän generaattorin mukana toimitetut varoitukset, huomiomerkinnot ja ohjeet ennen käyttöä. Tämä opas ei sisällä erityisiä ohjeita CoolSeal™-instrumenteille. Katso varoitukset, huomiomerkinnot ja käyttöohjeet CoolSeal™-instrumentin käyttöohjeista.

Valmistajan vastuu

Bolder Surgical on vastuussa CoolSeal™-generaattorin turvallisuudesta, luotettavuudesta ja suorituskyvystä vain, jos kaikki seuraavat ehdot täyttyvät:

- Tämän käyttöoppaan asennus- ja käynnistysohjeita noudatetaan.
- Bolder Surgicalin valtuuttamat henkilöt suorittavat kokoonpanon, käytön, uudelleensäädöt, muutokset tai korjaukset.
- Asiaankuuluvan huoneen sähköasennus noudattaa paikallisia menettelyjä ja säädösten vaatimuksia, kuten IEC ja BSI.
- Laitetta käytetään Bolder Surgicalin käyttöohjeiden mukaisesti. Lisätietoja takuusta on tämän oppaan Takuu-osiossa.

Määräaikainen toimintatestaus ja ylläpito

Koska määräaikainen toimintatestaus tulee suorittaa?

Bolder Surgical suosittelee, että CoolSeal™-generaattorille suoritetaan määräaikainen toimintatesti vähintään kahden vuoden välein. Määräaikaisen toimintatestin saa suorittaa vain pätevä biolääketieteen teknikko, tai CoolSeal™-generaattori voidaan palauttaa Bolder Surgicalille tai sen jakelijalle määräaikaiseen toimintatestaukseen. Katso määräaikaisen toimintatestin yksityiskohtaiset ohjeet liitteestä A.

Koska virtajohto tulee vaihtaa?

Vaihda virtajohto, jos löydät paljaita johtoja, halkeamia, kuluneita reunoja tai vahingoittuneen liittimen.

Koska sulakkeet tulee vaihtaa?

Sairaalan biolääketiedetekniikan osasto saattaa joskus joutua vaihtamaan sulakkeita. Sulakkeet tulee vaihtaa joko, kun sulake on palanut suojatessaan CoolSeal™-generaattoria, tai sairaalan biolääketiedetekniikan osaston ohjeiden mukaan ennaltaehkäisevänä kunnossapitona. Jos toistuvia sulakevikoja esiintyy lyhyen ajan sisään, älä jatka sulakkeiden vaihtamista ja palauta CoolSeal™-generaattori huoltoon.

Kuinka sulakkeet voidaan vaihtaa?

1. Sammuta generaattori ja irrota virtajohto seinäpistokkeesta.
2. Irrota järjestelmän virtajohto takapaneelin sähköliitännästä.
3. Avaa sulakerasia sähköliitännän alapuolelta.
4. Poista molemmat sulakkeet.
5. Hanki sulakkeet, joiden luokitus on merkitty takapaneelin sähköliitännän alle.
6. Aseta molemmat sulakkeet sisään.
7. Aseta sulakerasia sisään ja lukitse.

Tuotteen huolto

Varoitus

Sähköiskuvaara: Älä poista CoolSeal™-generaattorin kantta.

Älä yritä huoltaa CoolSeal™-generaattoria. Valtuutetun Bolder Surgical™-henkilöstön on suoritettava kaikki huolto- ja korjaustyöt.

CoolSeal™-generaattorin palauttaminen huollettavaksi

Ennen kuin palautat CoolSeal™-generaattorin, ota yhteyttä Bolder Surgical™-myyntiedustajaasi ohjeita varten. Jos sinua kehoitetaan lähettämään generaattori Bolder Surgicalille, toimi seuraavasti:

1. Pyydä palautuslupanumero soittamalla alueesi Bolder Surgical™-asiakaspalvelukeskukseen. Pidä seuraavat tiedot valmiina soittaessasi:
 - Sairaalan / klinikan nimi / asiakasnumero
 - Puhelinnumero
 - Osasto / osoite, kaupunki, osavaltio ja postinumero
 - Mallinumero
 - Sarjanumero
 - Ongelman kuvaus
 - Suoritettavan huollon, päivityksen tai korjauksen tyyppi
2. CoolSeal™-generaattorin puhdistus.
 - Katso yllä olevaa kohtaa Puhdistus.
3. Lähetä CoolSeal™-generaattori.
 - Kiinnitä generaattoriin tunniste, joka sisältää palautuslupanumeron ja vaiheessa 1 luetellut tiedot (sairaala, puhelinnumero jne.).
 - Varmista, että generaattori on täysin kuiva, ennen kuin pakkaat sen lähetystä varten. Pakkaa se alkuperäiseen kuljetuslaatikkoonsa, jos sellainen on.
 - Lähetä generaattori ennakkomaksettuna lähetyksenä Bolder Surgical™-huoltokeskukseen.

Ohjelmistopäivitykset

Bolder Surgical™ -henkilökunnan on suoritettava ohjelmistopäivitykset. Katso ohjeet kohdasta *CoolSeal™ -generaattorin palauttaminen huoltoon* (yllä).

Luku 7. Tekniset tiedot

Kaikki tekniset tiedot ovat nimellisiä ja voivat muuttua ilman erillistä ilmoitusta.

"Tyypilliseksi" kutsuttu spesifikaatio on $\pm 20\%$: n sisällä ilmoitetusta arvosta huoneenlämpötilassa (25 °C / 77 °F) ja nimellisjännitetulosta.

Huomio

Lue kaikki tämän generaattorin mukana toimitetut varoitukset, huomiomerkinnot ja ohjeet ennen käyttöä. Tämä opas ei sisällä erityisiä ohjeita CoolSeal™-instrumenteille. Katso varoitukset, huomiomerkinnot ja käyttöohjeet CoolSeal™-instrumentin käyttöohjeista.

Suorituskykyominaisuudet

Yleistä

Lähdön määrittäminen:	Eristetty lähtö
Jäähdytys:	Ympäristön luonnollinen konvektio
Näyttö:	Merkkivalot ja virran valmiustilakatkaisija
Liitinportit:	LED-valaistu liittimen tunnistus
Asennus:	Leikkaussalien puomijärjestelmät Mikä tahansa vakaa, tasainen pinta, kuten pöytä tai kärry

Mitat ja paino

Leveys:	30,5 cm (12 tuumaa)
Syvyys:	38,1 cm (15 tuumaa)
Korkeus:	10,9 cm (4,3 tuumaa)
Paino:	5,4 kg (12 paunaa)

Käyttöparametrit

Ympäristön lämpötila-alue:	+10 - +35 °C
Suhteellinen kosteus:	30-75 % (ei tiivistävä)
Ilmanpaine:	67-111 kilopascalialla
Lämpenemisaika:	Jos sitä kuljetetaan tai varastoidaan käyttölämpötila-alueen ulkopuolella olevissa lämpötiloissa, anna Cool Seal™-generaattorin saavuttaa käyttölämpötila tunnin ajan ennen käyttöä.

Kuljetus ja säilytys

Ympäristön lämpötila-alue:	-20 - +60 °C
Suhteellinen kosteus:	0-90 % (ei tiivistävä)
Ilmanpaine:	46-111 kilopascalialla

Sisäinen muisti

Haihtumaton:	RAM
Säilytyskapasiteetti:	Muisti voi tallentaa viimeisimpien 2000:n sulkujakson tiedot. Tiedot eivät ole potilaskohtaisia eivätkä ole käyttäjän saatavilla.

Aktivointiääni

Alla ilmoitetut äänitasot koskevat sulkemisen aktivointiäänimerkkejä metrin etäisyydeltä.

Äänenvoimakkuus (säädetty):	40 dBA - 80 dBA
Taajuus	
CoolSeal™-sulku:	349,2 Hz
Kesto:	Jatkuva, kun järjestelmä toimittaa aktiivisesti radiotaajuusenergiaa

Hälytysäänet

Äänenvoimakkuus (säädetty):	65 dBA - 80 dBA
Taajuus	
Järjestelmävirhe ja instrumenttinvirhe:	Yksi 550 ms:n ääni Korkea = 2637 Hz, matala = 440 Hz 550 ms
Sulku valmis:	Kolme peräkkäistä äänimerkkiä 349,2 Hz, 392 Hz ja 440 Hz Kesto 75 ms, 150 ms ja 300 ms
Uudelleenaktivoi / keskeneräinen sulku:	Kolmen äänen sarja Korkea = 2489 Hz, matala = 349,2 Hz 80 ms:n ääniä, 100 ms:n taukoja niiden välillä

Syöttöteho

Suurin teho nimellislinjajännitteellä: 110 W
Verkkovirta (enintään) Seisonta-aika: 250 mA Sulku: 1 A
Verkkolinjan taajuusalue (nimellinen): 50 Hz - 60 Hz
Verkkolinjan jännitealue (nimellinen): 100-240 V
Sulakkeet (2): Tyyppi T5AH 250 V tai vastaava, 5 mm x 20 mm 5 A, 250 V, hidasvaikutteinen, suuri murtokyky
Virran sisääntulo: IEC 60320 C14

Virtajohdon tiedot

Tämä laite on tehtaalla varustettu sairaalalaatuisella 110 VAC:n virtajohdolla, jossa on NEMA5-15 -verkkoliitin. Kun vaihdat verkkovirtajohdon vastaamaan toista verkkoliitinkokoonpanoa, korvaavan liittimen / kaapelin / pistokkeen määritysten on täytettävä tai ylitettävä seuraavat vaatimukset:

100-120 VAC

Kaapeli:	SJT 18/3, IEC-värikoodi, enimmäispituus 3 m (10 jalkaa)
Verkkoliitin:	Sairaalaluokka, täyttää paikallisen maan vaatimukset
Vähintään:	10 A - 125 VAC
Yksikköpistoke:	IEC 60320 C13, vähintään 10 A - 125 VAC

220-240 VAC

Kaapeli:	H05VVF3G1.0, enimmäispituus 3 m (10 jalkaa)
Verkkoliitin:	Sairaalaluokka, täyttää paikallisen maan vaatimukset
Vähintään:	6 A - 250 VAC
Yksikköpistoke:	IEC 60320 C13, vähintään 6 A - 250 VAC

Tekniset tiedot

Syöttötaajuus

CoolSeal™-generaattori toimii määritelmien mukaisesti kaikilla linjatulotaajuuksilla välillä 47 Hz - 63 Hz. Käyttäjän ei tarvitse määrittää CoolSeal™-generaattoria uudelleen eri linjataajuuksille.

Syöttövirta

CoolSeal™-generaattori vetää enintään 5 A millä tahansa linjan tulojännitteellä.

Varavirta

CoolSeal™-generaattori säilyttää kalibrointi- ja tilastotiedot, kun se kytketään pois päältä ja irrotetaan pistokkeesta. CoolSeal™-generaattori toimii määritelmien mukaisesti, kun se vaihdetaan sairaalan varajärjestelmän toimittamaan verkkovirtaan.

Tasapotentiaaliliitäntä

CoolSeal™-generaattorin takaosassa on tasapotentiaaliliitin, joka mahdollistaa potentiaalitasausjohtimen liittämisen tarvittaessa.

Käyttöjakso

Suurimmissa tehoasetuksissa ja nimelliskuormitusolosuhteissa CoolSeal™-generaattori pystyy käyttämään 25 %:n käyttöjaksoa, joka määritetään 5 sekunnin aktiiviseksi radiotaajuuden toimittamiseksi ja 15 sekunniksi passiiviseksi.

Matalan taajuuden (50/60 Hz) vuotovirta

Täyttää standardin IEC 60601-1, painos 3.1

Matalan taajuuden rajat:

Maavuoto:	5 mA normaaleissa olosuhteissa	10 mA yksittäisen virheen olosuhteissa
Kosketusvirta:	100 µA normaaleissa olosuhteissa	500 µA yksittäisen virheen olosuhteissa
Potilaan vuoto: <i>(perustuu tyyppin CF potilasliitäntään)</i>	10 µA normaaleissa olosuhteissa	50 µA yksittäisen virheen olosuhteissa (DC- tai AC-virta)
Potilaan vuoto verkkovirralla F-tyyppin potilasliitännässä: <i>(perustuu tyyppin CF potilasliitäntään)</i>		50 uA

Standardit ja IEC-luokitukset

CoolSeal™-generaattori täyttää kaikki standardin IEC 60601-1 painos 3.1:n, IEC 60601-1-2 painos 4.0:n ja IEC 60601-2-2 painos 6.0:n asiaankuuluvat lausekkeet.

Symbolit

	Katso käyttöohjeet		AC-virransyöttö (verkkovirta)
	Sähkövaroitus Älä irrota kantta sähköiskuriskin pienentämiseksi. Ota yhteys pätevään huoltohenkilöstöön.		AC-virtalähtö (radiotaajuus)
	Sarjanumero		Valmiustila, virta
	Valtuutettu edustaja Euroopan yhteisössä		Lämpötilarajoitus
	Luettelo-, tilaus- tai viitenumero		Kosteusrajoitus
	Lääkinnällinen laite		Ilmanpaineen rajoitus
	Rekisteröity valmistaja		Pidä kuivana
	Valmistuspäivämäärä		Luokiteltu sähköiskun, tulipalon ja mekaanisten vaarojen suhteen vain standardien IEC 60601-1 ja CAN / CSA C22.2 nro 601.1 mukaisesti.
	Generaattori on nimetty tyyppin CF potilasliitännälle		Täyttää FCC:n osan 15 vaatimukset.
	Tasapotentialisuus		Aktivointiäänien äänenvoimakkuuden säätö myötöpäivään lisää äänenvoimakkuutta
	Sulake		Laitteita ei saa hävittää roska-äiliöön

Luokitukset

Luokan I laite (IEC 60601-1)

Kosketettavista johtavista osista ei voi tulla jännitteitä peruseristyksen rikkoutuessa johtuen tavasta, jolla ne on kytketty suojamaajohtimeen.

Sähkömagneettinen yhteensopivuus (IEC 60601-1-2)

Tämä laite on FCC-sääntöjen osan 15 mukainen. Toimintaan vaikuttavat seuraavat kaksi ehtoa:

- (1) Tämä laite ei saa aiheuttaa haitallisia häiriöitä, ja
- (2) tämän laitteen on hyväksyttävä kaikki vastaanotetut häiriöt, mukaan lukien häiriöt, jotka voivat aiheuttaa ei-toivottua toimintaa.

Tyypin CF laite (IEC 60601-1)

Tämä generaattori suojaa erittäin hyvin sähköiskulta, erityisesti sallittujen vuotovirtausten suhteen. Se on tyypin CF eristetty (kelluva) virtalähtö ja sitä voidaan käyttää sydämen toimenpiteisiin.

IP XX nesteen sisäänpääsy / roiskeet (IEC 60601-1 ja IEC 60601-2-2)

CoolSeal™-generaattori on rakennettu siten, että nesteen roiskuminen normaalikäytössä ei kastele sähköeristystä tai muita komponentteja, jotka kastuessaan vaikuttavat todennäköisesti haitallisesti laitteen turvallisuuteen.

Jännitteen siirtymät - energia-alustan verkkovirta (IEC 60601-1 ja IEC 60601-2-2)

CoolSeal™-generaattori jatkaa toimintaansa normaalisti ilman virheitä tai järjestelmän vikoja, kun siirto tapahtuu linjan vaihtovirran ja hätäenergian jännitelähteen välillä. (IEC 60601-1- 2)

Sähkömagneettinen yhteensopivuus (IEC 60601-1-2 ja IEC 60601-2-2)

CoolSeal™-generaattori on sähkömagneettista yhteensopivuutta koskevien IEC 60601-1-2- ja 60601-2-2 -spesifikaatioiden mukainen.

Varoitus

Tämän laitteen käyttöä muiden laitteiden vieressä tai pinottuna tulisi välttää, koska se voi johtaa vääränlaiseen toimintaan. Jos tällainen käyttö on välttämätöntä, tätä laitetta ja muita laitteita on tarkkailtava sen varmistamiseksi, että ne toimivat normaalisti.

Kannettavia radiotaajuuslaitteita (mukaan lukien oheislaitteet, kuten antennikaapelit ja ulkoiset antennit) tulee käyttää vähintään 30 cm:n (12 tuuman) päässä CoolSeal™-generaattorin mistä tahansa osasta, mukaan lukien Bolder Surgicalin määrittelemät kaapelit. Muussa tapauksessa tämän laitteen suorituskyky voi heikentyä.

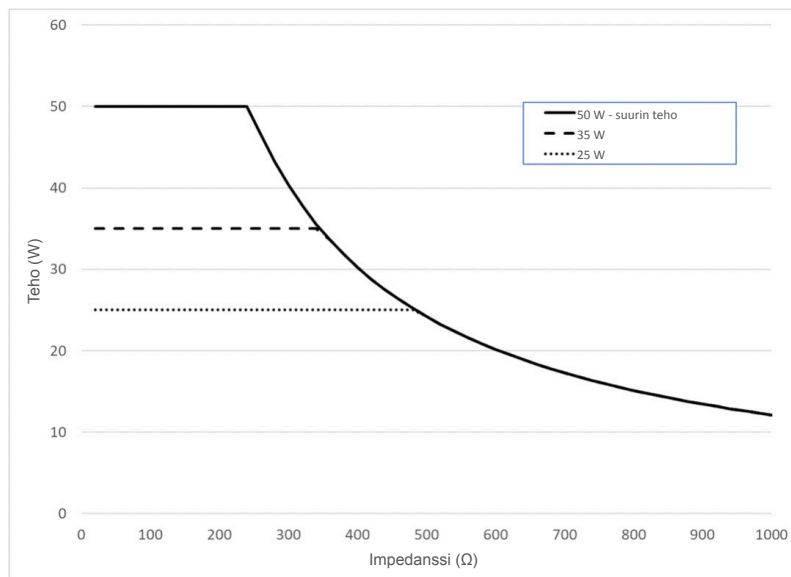
Lähtöteho-ominaisuudet

CoolSeal™-generaattorin enimmäislähtöteho

Teholukemat sopivat nimelliskuorman todellisen tehon kanssa 20 prosentin tai 5 watin tarkkuudella sen mukaan, kumpi on suurempi.

Avoimen piirin huippujännite (enint.)	Nimelliskuorma	Nimellislähtöteho (enint.)	Huippukerroin	Aaltomuodon käyttöjakso
190 V	20 Ω	50 W	1,9	100 %

Lähtöteho vs. impedanssikaavio



Sähkömagneettinen häiriönsieto

Ohjeet ja valmistajan vakuutus - sähkömagneettiset päästöt

CoolSeal™-generaattori on tarkoitettu käytettäväksi alla määritellyssä sähkömagneettisessa ympäristössä. Asiakkaan tai CoolSeal™-generaattorin käyttäjän tulee varmistaa, että sitä käytetään tällaisessa ympäristössä.

Radiotaajuuspäästöt CISPR 11	Ryhmä 2	CoolSeal™-generaattorin on lähetettävä sähkömagneettista energiaa tarkoitetun toiminnon suorittamiseksi. Tämä saattaa vaikuttaa läheisiin elektroniin laitteisiin.
Johtuvat päästöt EN 55011:2009+A1:2010, CISPR 11:2009+A1:2010	Luokka A	
Säteilevät päästöt EN 55011:2009+A1:2010, CISPR 11:2009+A1:2010	Luokka A	CoolSeal™-generaattori soveltuu käytettäväksi kaikissa laitoksissa paitsi kotitalouksissa ja sellaisissa, jotka on kytketty suoraan yleiseen pienjänniteverkkoon, joka on yhdistetty kotitalouskäyttöön tarkoitettuihin rakennuksiin.
Harmoniset päästöt IEC/EN 61000-3-2:2014	Luokan A laite	
Jännitteen vaihtelut / välkyntöpäästöt IEC/EN 61000-3-3:2013	Standardin lausekkeen 5 mukaan	

IEC 60601-1 -standardin mukainen perusturvallisuus on suorituskykyvaatimus, jota käytetään häiriönsietotestauksessa. Keskeistä suorituskykyä ei sovelleta.

Huomautus

Tämän laitteen PÄÄSTÖominaisuudet tekevät siitä sopivan käytettäväksi teollisuusalueilla ja sairaaloissa (CISPR 11 luokka A). Jos laitetta käytetään asuinympäristössä (johon normaalisti vaaditaan CISPR 11 -luokka B), tämä laite ei välttämättä tarjoa riittävää suojaa radiotaajuisille viestintäpalveluille. Käyttäjän on ehkä toteutettava sovitustoimenpiteitä, kuten laitteen siirtäminen tai suuntaaminen uudelleen.

Ohjeet ja valmistajan vakuutus - sähkömagneettinen häiriönsieto

CoolSeal™-generaattori on tarkoitettu käytettäväksi alla määritellyssä sähkömagneettisessa ympäristössä. Asiakkaan tai CoolSeal™-generaattorin käyttäjän tulee varmistaa, että sitä käytetään tällaisessa ympäristössä.

Häiriönsietotesti	IEC 60601 -testitaso	± Vaatimustenmukaisuustaso	Sähkömagneettinen ympäristö - ohjeet
Sähköstaattinen purkaus IEC/EN 61000-4-2	± 8 kV kosketuspurkaus ± 2, 4, 8 ja 15 kV ilmapurkaus	± 8 kV kosketuspurkaus ± 2, 4, 8 ja 15 kV ilmapurkaus	Lattian tulee olla puuta, betonia tai keraamista laattaa. Jos lattiat on peitetty synteettisellä materiaalilla, suhteellisen kosteuden tulisi olla vähintään 30 %.
Säteily suojaus IEC 61000-4-3: 2006 + A1: 2008 + A2: 2010	80 MHz - 6 GHz 3 V/m 80 % @ 1 kHz 28 V/m pistetaajuudet 385 MHz - 2,7 GHz pulssimodulaatio	80 MHz - 6 GHz 3 V/m 80 % @ 1 kHz 28 V/m pistetaajuudet 385 MHz - 2,7 GHz pulssimodulaatio	Kannettavia ja siirrettäviä radiotaajuusviestintälaitteita ei saa käyttää lähempänä mitään CoolSeal™-generaattorin osaa, kaapelit mukaan lukien, kuin suositeltu erotusetaisyys, joka lasketaan lähettimen taajuudelle soveltuvalta yhtälöllä.
Läheisyysalue langattomista radiotaajuusviestintälaitteista IEC 61000-4-3	IEC 60601-1-2 -standardin taulukon 9 mukaisesti	Katso seuraavan sivun taulukkoa taajuusalueista ja langattomien radiotaajuuslaitteiden testausolosuhteista	Suosittelun erotusetaisyys $d = [2]\sqrt{P}$ jossa P on lähettimen valmistajan mukainen lähettimen suurin lähtöteho watteina (W) ja d on suositeltu erotusetaisyys metreinä (m). Kiinteiden radiotaajuuslähettimien kentänvoimakkuuksien, jotka on määritetty sähkömagneettisen paikatutkimuksen avulla ^a , on oltava pienempiä kuin kunkin taajuusalueen vaatimustenmukainen taso ^b .
Johdettu häiriönsieto (Vaihtovirta) (I / O -linjat) IEC/EN 61000-4-6	0,15 - 80 MHz 3 Vrms ja 6 Vrms ISM-kaistalla 1 kHz Vaihtoverkkovirta	0,15 - 80 MHz 3 Vrms ja 6 Vrms ISM-kaistalla 1 kHz Vaihtoverkkovirta	ISM-kaistat (teollinen, tieteellinen ja lääketieteellinen) välillä 0,15–80 MHz ovat 6,765–6,795 MHz; 13,553 MHz - 13,567 MHz; 26,957 MHz - 27,283 MHz; ja 40,66 MHz - 40,70 MHz.
Sähköiset nopeat vaihtelut (Vaihtovirta) IEC/EN 61000-4-4	± 2 kV vaihtoverkkovirta ± 1 kV - I / O-linjat 5/50 5 kHz ja 100 kHz	± 2 kV vaihtoverkkovirta ± 1 kV - I / O-linjat 5/50 5 kHz ja 100 kHz	Verkkovirran laadun tulee olla tyypillisen liike- tai sairaalaympäristön mukainen.
Ulosvirtaus linjasta linjaan (Vaihtovirta) IEC/EN 61000-4-5	± 1 kV Linjasta linjaan Linjasta maahan	± 1 kV Linjasta linjaan Linjasta maahan	Verkkovirran laadun tulee olla tyypillisen liike- tai sairaalaympäristön mukainen.
Magneettinen häiriönsieto IEC/EN-61000-4-8	30 A/m 50/60 Hz	30 A/m 50/60 Hz	Tehotaajuisten magneettikenttien tulisi olla tasoilla, jotka ovat tyypillisiä liike- tai sairaalaympäristössä.
Jännitteen laskut ja häiriöt IEC/EN 61000-4-11	0 % UT 0,5 sykliä 0 % UT 1 sykli 70 % UT 25 sykliä 0 % UT 5 sekuntia	0 % UT 0,5 sykliä 0 % UT 1 sykli 70 % UT 25 sykliä 0 % UT 5 sekuntia	Jos CoolSeal™-generaattorin käyttäjä tarvitsee jatkuvaa käyttöä sähkökatkosten aikana, on suositeltavaa, että CoolSeal-generaattori saa virran keskeytymättömästi virtalähteestä tai akusta.

HUOMAUTUS: Nämä ohjeet eivät ehkä sovellu kaikkiin tilanteisiin. Imeytyminen ja heijastuminen rakenteista, esineistä ja ihmisistä vaikuttavat sähkömagneettiseen etenemiseen.

*Kiinteiden lähettimien, kuten radiopuhelinten (matkapuhelin / langattomat) tukiasemien ja maaradioasemien, amatööriradion, AM- ja FM-radiolähetysten ja TV-lähetysten, voimakkuuksia ei voida tarkasti ennustaa teoreettisesti. Kiinteiden radiotaajuuslähettimien aiheuttaman sähkömagneettisen ympäristön arvioimiseksi on harkittava sähkömagneettista paikkakartoitusta. Jos mitattu kentänvoimakkuus paikassa, jossa CoolSeal™-generaattoria käytetään, ylittää yllä mainitun sovellettavan radiotaajuuden vaatimustenmukaisuustason, CoolSeal™-generaattoria on tarkkailtava normaalin toiminnan varmistamiseksi. Jos havaitaan epänormaalia suorituskykyä, lisätoimenpiteet, kuten CoolSeal™-generaattorin suuntaaminen uudelleen tai siirtäminen, voivat olla tarpeen.

^bTaajuusalueella 150 kHz - 80 MHz kentänvoimakkuuksien tulisi olla alle 3 V/m.

Ohjeet ja valmistajan vakuutus - sähkömagneettinen häiriönsieto

Taajuusalueet ja testausolosuhteet radiotaajuuksia käyttäville langattomille viestintälaitteille

Taajuusalue (MHz)	Testitaajuus (MHz)	Modulaatio ^a	Vaatimustenmukaisuustaso (V/m)
380 - 390	380 - 390	Pulssi - 18 Hz	27
430 - 470	450	FM ± 5 kHz:n poikkeama 1 kHz sini	28
704 - 787	710	Pulssi - 217 Hz	9
	745		
	780		
800 - 960	810	Pulssi - 18 Hz	28
	870		
	930		
1700 - 1990	1720	Pulssi - 217 Hz	28
	1845		
	1970		
2400 - 2570	2450	Pulssi - 217 Hz	28
5100 - 5800	5240	Pulssi - 217 Hz	9
	5500		
	5785		

^aPulssimodulaatio määritellään neliöaaltotuloksi, jonka käyttöjako on 50 % luetellulla taajuudella.

HUOMAUTUS: Kannettavia radiotaajuuslaitteita tulee käyttää vähintään 30 cm:n (12 tuuman) etäisyydellä CoolSeal™-generaattorin mistä tahansa osasta, mukaan lukien Bolder Surgicalin määrittelemät kaapelit. Muussa tapauksessa tämän laitteen suorituskyky voi heikentyä.

Suosittelavat erotusetäisyydet kannettavien ja siirrettävien radiotaajuusviestintälaitteiden ja CoolSeal™-generaattorin välillä

CoolSeal™-generaattori on tarkoitettu käytettäväksi sähkömagneettisessa ympäristössä, jossa säteilevät radiotaajuushäiriöt ovat hallittuja. Asiakas tai CoolSeal™-generaattorin käyttäjä voi auttaa estämään sähkömagneettisia häiriöitä pitämällä kannettavien ja siirrettävien radiotaajuisten viestintälaitteiden (lähettimet) ja CoolSeal™-generaattorin välillä vähimmäisetäisyyden, kuten alla suositellaan, viestintälaitteiden maksimilähtötehon mukaan.

Lähtetimen nimellinen suurin lähtöteho	Erotusetäisyys lähettimestä $d = [2]\sqrt{P}$
0,01	0,20
0,1	0,63
1	2,00
10	6,32
100	20,00

Lähettimille, joiden nimellisteho on suurin lähtöteho, jota ei ole lueteltu edellä, suositeltu etäisyys d metreinä (m) voidaan arvioida käyttämällä lähtetimen taajuudelle sovellettavaa yhtälöä, jossa P on lähtetimen suurin lähtöteho watteina (W) lähettimen valmistajan mukaan.

HUOMAUTUS: Nämä ohjeet eivät ehkä sovellu kaikkiin tilanteisiin. Imeytyminen ja heijastuminen rakenteista, esineistä ja ihmisistä vaikuttavat sähkömagneettiseen etenemiseen.

Liite A - Määräaikainen toimintatestaus

Testin tarkoituksena on vahvistaa CoolSeal™-generaattorin oikea toiminta. On suositeltavaa, että tämä testi suoritetaan vähintään kahden vuoden välein, jotta varmistetaan asianmukaisen toiminnan säilyminen ajan mittaan. Viimeisen Bolder Surgical™-toimintatestin päivämäärä on viimeinen testipäivä -merkinnässä. Tätä testiä voidaan käyttää useammin sairaalan käytäntöjen mukaisesti.

Varoitus

Älä avaa CoolSeal™-generaattorin koteloa. Kotelossa ei ole huollettavia osia. Lisätestejä vaaditaan turvallisen käytön säilyttämiseksi kotelon avaamisen jälkeen. Tämä testaus on saatavilla vain Bolder Surgical™-huoltokeskuksessa. Noudattamatta jättäminen voi lisätä sähköiskun vaaraa.

Huomautus

Vain pätevät henkilöt saavat suorittaa CoolSeal™-toimintatestin.

Tärkeää

Alla on valinnainen lomake määräaikaisen toimintatestin tulosten kirjaamiseksi.

Varoitus

Älä yritä käyttää toimintatestikaapelia mihinkään muuhun tarkoitukseen kuin tässä kuvattuihin vaiheisiin. Älä käytä kliinisesti.

Määritelmät:

UUT - Unit Under Test (testattava yksikkö)

ESA - Electrical Safety Analyzer (sähköturvallisuusanalyysointilaite)

ESuA - Electro-Surgical Analyzer (sähkökirurginen analyysointilaite)

Vaadittu laitteisto:

UUT - CoolSeal™-generaattori – CSL-200-50

ESA - Fluken sähköturvallisuusanalyysointilaite malli ESA612 (tai vastaava)

ESuA - Fluken sähkökirurgisen analyysointilaite malli QA-E SII, QA-ES III (tai vastaava)

Toimintatestikaapeli - CSL-FTC

Sekuntikello

Hyväksytty / hylätty -kriteerit:

- Noudata alla olevia vaiheita saadaksesi ilmoitetun tuloksen. Toista, jos tätä ei saada.
- Ota yhteys Bolder Surgicaliin huollon järjestämiseksi vikojen tai poikkeavuuksien ratkaisemiseksi.
- Älä yritä korjata CoolSeal™-generaattoria.
- CoolSeal™-generaattorin korjausyritys rikkoo tuotteen takuuta.

Menetelmä:

TULOSTEN KIRJAAMINEN:

1. Voit kirjata seuraavien testien tulokset liitteenä olevan lokin kopioon. Jokaisen alla olevan vaiheen jälkeen kirjaa tulos vastaavaan osaan kohdassa **<RECORD RESULTS> (KIRJAA TULOKSET)**. Talleta numeeriset arvot osoitetuissa kohdissa ja ympyröi **HYV** Hyväksy tai **HYL** hylkää.

TARKASTUS:

1. Tarkista, ettei laitteessa ole ulkoisia vaurioita tai puuttuvia osia. Vaurioituneita tai puuttuvia osia ei pitäisi löytyä. **<RECORD RESULTS> (KIRJAA TULOKSET)**
2. Tarkista virtajohto vaurioiden varalta. Vaurioita ei pitäisi löytyä. **<RECORD RESULTS> (KIRJAA TULOKSET)**

MERKKIVALOT JA ÄÄNIMERKIT:

1. Kytke virta testattavaan yksikköön (UUT) ja paina virtapainiketta. Virtapainikkeen tulisi palaa VIHREÄNÄ ja kolmen (3) peräkkäisen äänimerkin tulisi kuulua. PUNAINEN virtapainikkeen valo osoittaa virran katkeamisen itsetestauksessa. **<RECORD RESULTS> (KIRJAA TULOKSET)**
2. Työnnä toimintatestikaapeli instrumenttipistokkeeseen, instrumenttipistokenäytön tulisi palaa valkoisena. **<RECORD RESULTS> (KIRJAA TULOKSET)**
3. Katkaise testattavan yksikön virta. Pidä aktivointipainiketta painettuna. Kytke virta samalla kun pidät aktivointipainiketta painettuna. Virtapainike syttyy VIHREÄNÄ ja kuuluu kolmen (3) merkkiäänisen sarja, jota seuraa toinen merkkiäänäni, sitten instrumenttipistokkeen näyttö vilkkuu KELTAISENA. **<RECORD RESULTS> (KIRJAA TULOKSET)**
4. Irrota toimintatestikaapeli ja sammuta testattava yksikkö ja kytke se sitten uudelleen päälle. Virtapainikkeen tulee olla VIHREÄ. Pidä toimintatestikaapelin aktivointipainiketta painettuna ja aseta toimintatestikaapeli instrumenttipistokkeeseen. Kuuluu yksittäinen äänimerkki, jonka jälkeen instrumenttipistokenäyttö vilkkuu KELTAISENA. **<RECORD RESULTS> (KIRJAA TULOKSET)**
5. Kytke testattava yksikkö pois päältä ja sitten uudelleen päälle nollataksesi sen edellisestä vaiheesta. Käännä toimintatestikaapelin kytkin auki-asentoon ja pidä aktivointipainiketta painettuna. Aktivointinäyttö näkyy hetken VIOLETTINA ja aloittaa sulkuaänimerkin, jota seuraa noin yhden sekunnin KELTAINEN näyttö ja kolmen äänen uudelleentarttumisen hälytys. Tämä voi kuulostaa neljän äänen merkiltä. **<RECORD RESULTS> (KIRJAA TULOKSET)**
6. Käännä toimintatestikaapelin kytkin "Lyhyt"-asentoon. Paina ja pidä aktivointipainiketta painettuna ja varmista, että aktivointinäyttö palaa VIOLETTINA, joka vaihtelee voimakkuudeltaan värittömästä täyteen voimakkuuteen sulkuaänimerkin kanssa. Tätä seuraa KELTAINEN aktivointinäyttö ja kolmen äänimerkin hälytys. **<RECORD RESULTS> (KIRJAA TULOKSET)**
7. Kun toimintatestikaapelin kytkin on edelleen "Lyhyt"-asennossa, valmistaudu sekuntikellon kanssa ottamaan aika aktivointipainikkeen painamisesta näytön palamiseen KELTAISENA. Paina aktivointipainiketta ja ajasta VIOLETTI (sulku) vaihe. **<RECORD RESULTS> (KIRJAA TULOKSET)**
8. Kun toimintatestikaapelin kytkin on edelleen "Lyhyt"-asennossa, valmistaudu kiertämään äänenvoimakkuuden säätönuppia VIOLETTIN (sulkuvaihe) vaiheen aikana. Paina aktivointipainiketta, käännä äänenvoimakkuuden säätönuppi kumpaankin ääripäähän ja vahvasta äänenvoimakkuuden muutos vähimmäis- ja enimmäistason välillä. **<RECORD RESULTS> (KIRJAA TULOKSET)**
9. Poista testikaapeli, katkaise virta ja irrota testattava yksikkö pistokkeesta.

MAADOITUSJATKUVUUDEN TESTAUS:

1. Kytke sähköturvallisuusanalysaattori (ESA) päälle
2. Kytke virtajohto testattavasta yksiköstä sähköturvallisuusanalysaattoriin
3. Liitä testijohto sähköturvallisuusanalysaattorin V / Ω / A -liittimeen ohmien (Ω) mittaamiseksi.
4. Liitä testijohto sähköturvallisuusanalysaattorin maadoitus-/nollapylväeseen.
5. Varmista, että sähköturvallisuusanalysaattori mittaa vastusta (Ω)
6. Nollaa sähköturvallisuusanalysaattori.
7. Kiinnitä testijohto testattavan yksikön tasapotentialiliittimeen.
8. Kirjaa virtajohdon ja testattavan yksikön kautta näkyvä vastusarvo. **<RECORD RESULTS> (KIRJAA TULOKSET)**
9. Irrota testattava yksikkö sähköturvallisuusanalysaattorista, sammuta sähköturvallisuusanalysaattori.

MAAVUOTOTESTAUS

1. Kytke sähköturvallisuusanalysointilaite päälle.
2. Kytke virtajohto testattavasta yksiköstä sähköturvallisuusanalysointilaiteeseen.
3. Aseta toimintatestikaapeli instrumenttipistokkeeseen.
4. Aseta toimintatestikaapeli normaalitilaan, pinoa PUNAINEN ja MUSTA banaaniin.
5. Aseta pinotut liittimet sähköturvallisuusanalysointilaiteen RA / R (vastus) -porttiin.
6. Suorita seuraava testisarja käyttämällä Micro Amp (μA) ja MAA -asetusta.
7. Normaali / Suljettu **<RECORD RESULTS> (KIRJAA TULOKSET)**
8. Normaali / Avoin **<RECORD RESULTS> (KIRJAA TULOKSET)**
9. Käänteinen / Avoin **<RECORD RESULTS> (KIRJAA TULOKSET)**
10. Käänteinen / Suljettu **<RECORD RESULTS> (KIRJAA TULOKSET)**
11. Poista toimintatestikaapeli ja toista yllä olevat testisarjat.
12. Normaali / Suljettu **<RECORD RESULTS> (KIRJAA TULOKSET)**
13. Normaali / Avoin **<RECORD RESULTS> (KIRJAA TULOKSET)**
14. Käänteinen / Avoin **<RECORD RESULTS> (KIRJAA TULOKSET)**
15. Käänteinen / Suljettu **<RECORD RESULTS> (KIRJAA TULOKSET)**
16. Irrota testattava yksikkö sähköturvallisuusanalysointilaitteesta, sammuta sähköturvallisuusanalysointilaite.

IMPEDANSSITESTERI

1. Kytke sähkökirurginen analysointilaite (ESuA) päälle.
2. Käynnistä testattava yksikkö.
3. Aseta toimintatestikaapelin kytkin normaaliasentoon.
4. Kytke toimintatestikaapelin PUNAINEN ja MUSTA liitin vastaaviin sähkökirurgisen analysointilaiteen VAR LOAD -pistorasioihin.
5. Aseta toiminnallinen testikaapeli testattavaan yksikköön.
6. Varmista ennen jatkamista, että virtapainike on VIHREÄ ja instrumenttipistokenäyttö on VALKOINEN.

Tärkeää

CoolSeal™-generaattori testaa useita virtalähtöjä. Ensimmäinen aktivointi on 25 watin virtalähtö, toinen aktivointi 35 watin virtalähtö ja kolmas aktivointi 50 watin virtalähtö. Neljäs aktivointi aloittaa tämän sarjan uudelleen. Aloita sarja uudestaan tunnetusta aloituspisteestä irrottamalla toimintatestikaapeli ja asettamalla se takaisin.

Tärkeää

Toimintatestikaapelia käytettäessä CoolSeal™-generaattori asettaa laitteen vikatilaan, jos resistiivinen kuorma muuttuu merkittävästi. Tätä ei todennäköisesti tapahdu toimintatestin aikana, mutta jos se tapahtuisi, nollaa yksikkö yksinkertaisesti sammuttamalla laite ja käynnistämällä se uudelleen.

7. Aseta sähkökirurgisen analysointilaiteen kuormaksi 25 ohmia.
8. Aloita testi sähkökirurgisella analysointilaitteella.
9. Pidä aktivointipainiketta painettuna.
10. Tarkkaile 25 ohmin kohdalla maksimiteholukemaa 25 watin teholla. **<RECORD RESULTS> (KIRJAA TULOKSET)**
11. Pidä aktivointipainiketta painettuna.
12. Tarkkaile 25 ohmin kohdalla maksimiteholukemaa 35 watin teholla. **<RECORD RESULTS> (KIRJAA TULOKSET)**

-
13. Pidä aktivointipainiketta painettuna.
 14. Tarkkaile 25 ohmin kohdalla maksimiteholukemaa 50 watin teholla. **<RECORD RESULTS> (KIRJAA TULOKSET)**
 15. Pysäytä testi sähkökirurgisella analysaattorilla.
 16. Aseta sähkökirurgisen analysaattorin kuormaksi 50 ohmia
 17. Aloita testi sähkökirurgisella analysaattorilla.
 18. Pidä aktivointipainiketta painettuna.
 19. Tarkkaile 50 ohmin kohdalla maksimiteholukemaa 25 watin teholla. **<RECORD RESULTS> (KIRJAA TULOKSET)**
 20. Pidä aktivointipainiketta painettuna.
 21. Tarkkaile 50 ohmin kohdalla maksimiteholukemaa 35 watin teholla. **<RECORD RESULTS> (KIRJAA TULOKSET)**
 22. Pidä aktivointipainiketta painettuna.
 23. Tarkkaile 50 ohmin kohdalla maksimiteholukemaa 50 watin teholla. **<RECORD RESULTS> (KIRJAA TULOKSET)**
 24. Pysäytä testi sähkökirurgisella analysaattorilla.
 25. Aseta sähkökirurgisen analysaattorin kuormaksi 225 ohmia
 26. Aloita testi sähkökirurgisella analysaattorilla.
 27. Pidä aktivointipainiketta painettuna.
 28. Tarkkaile 225 ohmin kohdalla maksimiteholukemaa 25 watin teholla. **<RECORD RESULTS> (KIRJAA TULOKSET)**
 29. Pidä aktivointipainiketta painettuna.
 30. Tarkkaile 225 ohmin kohdalla maksimiteholukemaa 35 watin teholla. **<RECORD RESULTS> (KIRJAA TULOKSET)**
 31. Pidä aktivointipainiketta painettuna.
 32. Tarkkaile 225 ohmin kohdalla maksimiteholukemaa 50 watin teholla. **<RECORD RESULTS> (KIRJAA TULOKSET)**
 33. Pysäytä testi sähkökirurgisella analysaattorilla.
 34. Katkaise kaikista laitteista virta ja irrota testattava yksikkö testilaitteesta.

Määräaikaisen toimintatestauksen yhteenvetolomake

Määräaikaisen toimintatestin yhteenvetolomake Sivu 1/2

Generaattorin SN: _____

Vaihe	TESTI	VAATIMUS	Kirjaa arvot	Ympyröi Hyväksytty / Hylätty
Tarkistus				
1	Yksikön ulkoinen tarkastus	Ei vaurioita		HYV / HYL
2	Virtajohto	Ei vaurioita		HYV / HYL
Merkkivalot ja äänimerkit				
1	Normaali käynnistys	VIHREÄ virtapainike ja kolmen äänen merkki		HYV / HYL
2	Normaali instrumentin asetus	Valkoinen pistokenäyttö		HYV / HYL
3	Juuttunut painike käynnistettäessä	1) VIHREÄ virtapainike ja kolmen äänen merkki 2) Yksi äänimerkki, sitten KELTAISENA vilkkuva pistoke		HYV / HYL
4	Juuttunut painike käynnistyksen jälkeen	Yksi äänimerkki, sitten KELTAISENA vilkkuva pistoke		HYV / HYL
5	Avoimen piirin testi	1) Lyhyt VIOLETTI näyttö äänimerkillä 2) KELTAINEN näyttö kolmen äänen hälytyksellä		HYV / HYL
6	Oikosulkutesti	1) 4 sekunnin VIOLETTI näyttö äänimerkillä 2) KELTAINEN näyttö kolmen äänen hälytyksellä		HYV / HYL
7	Sulun ajoitus	Noin 4 sekuntia vaihtelevaa VIOLETTIA näyttöä	_____ sek	HYV / HYL
8	Äänenvoimakkuustesti	Äänenvoimakkuuden vaihtelu min. ja max. tasot		HYV / HYL

Testaajan nimi

Allekirjoitus

Päivämäärä

Määräaikaisen toimintatestin yhteenvetolomake Sivu 2/2

Generaattorin SN: _____

Vaihe	TESTI	VAATIMUS	Kirjaa arvot	Ympyröi Hyväksytty / Hylätty
Maadoitusjatkuvuuden testaus				
8	Maadoitusjatkuvuuden arvo	< 0,200 ohms	_____ ohms	HYV / HYL
Maavuototestaus				
7	Normaali / Suljettu kaapelilla	< 0,500 μ A	_____ μ A	HYV / HYL
8	Normaali / Avoin kaapelilla		_____ μ A	HYV / HYL
9	Käänteinen / Avoin kaapelilla		_____ μ A	HYV / HYL
10	Käänteinen / Suljettu kaapelilla		_____ μ A	HYV / HYL
12	Normaali / Suljettu ei kaapelia		_____ μ A	HYV / HYL
13	Normaali / Avoin ei kaapelia		_____ μ A	HYV / HYL
14	Käänteinen / Avoin ei kaapelia		_____ μ A	HYV / HYL
15	Käänteinen / Suljettu ei kaapelia		_____ μ A	HYV / HYL
Impedanssi				
10	Impedanssi 25 Ω / teho 25 W	20 W – 30 W	_____ W	HYV / HYL
12	Impedanssi 25 Ω / teho 35 W	28 W – 42 W	_____ W	HYV / HYL
14	Impedanssi 25 Ω / teho 50 W	40 W – 60 W	_____ W	HYV / HYL
19	Impedanssi 50 Ω / teho 25 W	20 W – 30 W	_____ W	HYV / HYL
21	Impedanssi 50 Ω / teho 35 W	28 W – 42 W	_____ W	HYV / HYL
23	Impedanssi 50 Ω / teho 50 W	40 W – 60 W	_____ W	HYV / HYL
28	Impedanssi 225 Ω / teho 25 W	20 W – 30 W	_____ W	HYV / HYL
30	Impedanssi 225 Ω / teho 35 W	28 W – 42 W	_____ W	HYV / HYL
32	Impedanssi 225 Ω / teho 50 W	40 W – 60 W	_____ W	HYV / HYL

Testaajan nimi

Allekirjoitus

Päivämäärä

Takuu

Bolder Surgical takaa, että missään sen valmistamassa tuotteessa ei ole materiaali- ja valmistusvirheitä normaalissa käytössä ja huollossa alla mainitun ajanjakson ajan. Bolder Surgicalin ainoa velvollisuus ja asiakkaan ainoa keino tämän takuun rikkomiseen rajoittuvat, Bolder Surgicalin yksinomaisella harkinnalla, minkä tahansa tuotteen tai sen osan korjaamiseen tai vaihtamiseen, joka on palautettu sille tai sen jakelijalle alla esitetyn sovellettavan ajanjakson kuluessa tuotteen alkuperäiselle ostajalle toimittamisen jälkeen, ja jonka tutkimus paljastaa Bolder Surgicalia tyydyttävällä tavalla, että tuote on viallinen. Tämä takuu ei koske mitään tuotetta tai sen osaa, jonka joku muu kuin Bolder Surgical tai sen valtuuttama edustaja on korjannut tai muuttanut tai johon on kohdistunut väärinkäyttöä, laiminlyöntiä tai onnettomuus. Bolder Surgicalin tuotteiden takuuajat ovat seuraavat:

Tuotetyyppi	Takuuaika (Bolder Surgicalin lähetystä seuraava aika)
CoolSeal™-generaattori	1 vuosi lähetyspäivästä

LUKUUNOTTAMATTA YLLÄ MAINITTUJA RAJOITETTUJA TAKUITA, BOLDER SURGICAL, SOVELLETTAVAN LAIN SALLIMISSA RAJOISSA, NIMENOMAISESTI KIISTÄÄ KAIKKI MUUT TAKUUT, ILMAISTUT, OLETETUT TAI LAINSÄÄDÄNNÖLLISET, MUKAAN LUETTUNA MUUN MUASSA OLETETUT MYYNTIKELPOISUUS- JA RAJOITTAMATTOMUUSTAKUUT.

HUOLIMATTA MISTÄÄN MUUSTA SÄÄNNÖKSESTÄ TÄSSÄ TAI MISSÄÄN MUUSSA ASIAKIRJASSA TAI TIEDONANNOSSA MAINITUSTA PÄINVASTAISESTA, BOLDER SURGICAL EI MISSÄÄN TAPAUKSESSA OLE VASTUUSSA TULOJEN TAI SAATAVIEN MENETYKSESTÄ, TUOTETAPPIOISTA, TUOTTEIDEN KÄYTÖN MENETYKSESTÄ, LIIKETOIMINNAN KESKEYTTÄMISESTÄ, TAI MISTÄÄN ERITYISISTÄ, SEURAAMUKSELLISISTA, SATUNNAISISTA, EPÄSUORISTA, RANKAISEVISTA TAI ESIMERKILLISISTÄ VAHINGOISTA. BOLDER SURGICALIN KOKONAISVASTUU KAIKISTA TÄSTÄ SOPIMUKSESTA TAI TUOTTEESTA JOHTUVISTA TAI NIIHIN LIITTYVISTÄ VAATIMUKSISTA RAJOITTUU YLEISIIN RAHAVAHINKOIHIN SUMMALLA, JOKA EI YLITÄ SEN TUOTTEEN KOKONAISHANKINTAHINTAA, JOTA VAATIMUS KOSKEE. Näitä rajoituksia ja poissulkemisia sovelletaan riippumatta siitä, perustuuko vaatimus sopimukseen, takuuseen, korvaukseen, rikkomukselliseen sopimussuhteen ulkopuoliseen sopimukseen perustuvaan vastuuseen (mukaan lukien huolimattomuus), suoraan vastuuseen tai muuhun. Bolder Surgical ei ota eikä valtuuta muita osapuolia ottamaan tai olea niiden ottavan vastuulleen mitään muuta vastuuta minkään Bolder Surgicalin tuotteiden myynnistä tai käytöstä.

Tämä takuu sekä sen mukaiset oikeudet ja velvollisuudet tulkitaan ja määrätään Yhdysvaltain Coloradon osavaltion lakien mukaisesti. Kaikki tämän takuun aiheuttamat tai siihen liittyvät kanteet ja toimet nostetaan yksinomaan osavaltion tai liittovaltion tuomioistuimissa, jotka sijaitsevat Boulderissa tai Denverissä, Yhdysvaltain Coloradossa, ja asiakas luopuu kaikista oikeuksista vastustaa tällaisten tuomioistuinten käyttöä. Bolder Surgical, sen jälleenmyyjät ja edustajat pidättävät oikeuden muuttaa, muokata tai suunnitella tuotteitaan uudelleen ilman velvollisuutta muuttaa tai korvata heidän aiemmin rakentamiaan ja / tai myymiään tuotteita.

Sommaire

Préface	232
Appareil couvert par ce manuel	232
Informations sur les brevets	232
Reconnaissance des marques.....	232
Fabriqué par :	232
Pour tout renseignement, composer le.....	232
Conventions utilisées dans ce guide.....	232
Chapitre 1. Présentation et fonctions générales	233
Introduction.....	233
Indications d'utilisation	233
Contre-indications d'utilisation	233
Panneau avant.....	234
Panneau arrière.....	234
Vue du bas	235
Liste des accessoires	235
Instruments de fusion de vaisseaux compatibles	235
Chapitre 2. Sécurité du patient et de la salle d'opération	236
Avertissements et mises en garde	236
Présentation générale	236
Consignes de sécurité lors de la configuration du générateur	236
Compatibilité électromagnétique	237
Risque d'incendie pendant la chirurgie oropharyngée	237
Stimulateurs cardiaques et DCI	237
Connexion d'un instrument CoolSeal™	238
Nettoyage du générateur CoolSeal™	238
Entretien du générateur CoolSeal™	238
Chapitre 3. Configuration et utilisation du générateur CoolSeal™	239
Déballage du générateur CoolSeal™	239
Inspection du générateur CoolSeal™	239
Consignes de sécurité relatives à la configuration	239
Configuration du générateur CoolSeal™	240
Réglage du volume	241

Connexion d'un instrument CoolSeal™	241
Connexion d'un instrument CoolSeal™ au générateur CoolSeal™	241
Activation d'un instrument CoolSeal™	241
Descriptions des conditions d'alerte	242
Chapitre 4. Après l'intervention chirurgicale	245
Mise hors tension du générateur CoolSeal™	245
Préparation du générateur CoolSeal™ pour la réutilisation.....	245
Chapitre 5. Résolution des problèmes.....	246
Directives générales de résolution des problèmes.....	246
Correction des dysfonctionnements	246
Réponse anormale du patient :	246
Dysfonctionnements du générateur CoolSeal™ :	247
Interactions potentielles avec d'autres dispositifs :	248
Chapitre 6. Tests fonctionnels, maintenance et entretien périodiques	249
Responsabilité du fabricant	249
Tests fonctionnels et maintenance périodiques.....	249
Quand effectuer les tests fonctionnels périodiques ?.....	249
Quand remplacer le cordon d'alimentation ?	249
Quand remplacer les fusibles ?	249
Comment remplacer les fusibles ?	249
Service après-vente	250
Retour du générateur CoolSeal™ pour réparation.....	250
Mises à niveau logicielles	250
Chapitre 7. Caractéristiques techniques	251
Caractéristiques de performance.....	251
Générales.....	251
Dimensions et poids	251
Paramètres de fonctionnement.....	251
Transport et stockage.....	251
Mémoire interne	251
Tonalité d'activation	252
Tonalités d'alerte.....	252
Puissance d'entrée	252
Caractéristiques du cordon d'alimentation.....	252

Caractéristiques techniques.....	253
Fréquence d'entrée	253
Courant d'entrée	253
Alimentation de secours.....	253
Connexion équipotentielle	253
Cycle de service.....	253
Courant de fuite à basse fréquence (50/60 Hz).....	253
Normes et classifications CEI.....	253
Pictogrammes	254
Classifications	255
Équipement de classe I (CEI 60601-1)	255
Compatibilité électromagnétique (CEI 60601-1-2)	255
Équipement de type CF (CEI 60601-1).....	255
Pénétration/déversement de liquide IP XX (CEI 60601-1 et CEI 60601-2-2).....	255
Transitoires de tension – Basculement du secteur à une alimentation de secours de la plate-forme d'énergie (CEI 60601-1 et CEI 60601-2-2).....	255
Compatibilité électromagnétique (CEI 60601-1-2 et CEI 60601-2-2)	255
Caractéristiques de sortie	255
Sortie maximale pour le générateur CoolSeal™	255
Immunité électromagnétique	256
Annexe A – Test fonctionnel périodique.....	260
Définitions :	260
Équipement requis :	260
Critères de réussite/d'échec :	260
Procédure :	261
Formulaire récapitulatif des tests fonctionnels périodiques	264
Garantie.....	266

Préface

Ce manuel et l'équipement qu'il décrit sont destinés à être utilisés uniquement par des professionnels de santé qualifiés et formés à la technique à mettre en œuvre et à l'intervention à réaliser. Il s'entend comme un guide pour l'utilisation du générateur CoolSeal™ uniquement.

Appareil couvert par ce manuel

Générateur CoolSeal™ – CSL-200-50

Informations sur les brevets

<https://BolderSurgical.com/patents/>

Reconnaissance des marques

Générateur CoolSeal™

Fabriqué par :



Bolder Surgical
331 S. 104th Street, Suite 200
Louisville, CO 80027, États-Unis
Fabriqué aux États-Unis
Tél. : +1.866.683.1743
www.BolderSurgical.com

Mandataire :



Emergo Europe B.V.
Prinsessegracht 20
2514 AP La Haye
Pays-Bas

Pour tout renseignement, composer le

+1.866.683.1743

Conventions utilisées dans ce guide

Avertissement

Indique une situation potentiellement dangereuse qui, si elle n'est pas évitée, pourrait entraîner la mort ou des blessures graves

Mise en garde

Indique une situation potentiellement dangereuse qui, si elle n'est pas évitée, peut entraîner des blessures mineures ou modérées

Avis

Indique un danger, qui peut entraîner des dommages au produit.

Important

Indique un conseil de fonctionnement ou une suggestion de maintenance.

Chapitre 1. Présentation et fonctions générales

Cette section couvre les informations suivantes :

- Introduction
- Indications d'utilisation
- Contre-indications d'utilisation
- Panneau avant
- Panneau arrière
- Vue du bas
- Liste des accessoires
- Instruments de fusion de vaisseaux compatibles

Mise en garde

Lire l'intégralité des avertissements, mises en garde et instructions fournis avec ce générateur avant son utilisation. Les instructions spécifiques aux instruments CoolSeal™ ne sont pas incluses dans ce manuel. Se reporter au mode d'emploi de l'instrument CoolSeal™ pour les avertissements, les mises en garde et les instructions d'utilisation.

La loi fédérale (États-Unis) limite la vente de ce dispositif à un médecin ou sur prescription médicale.

Introduction

Le générateur CoolSeal™ délivre de l'énergie radiofréquence (RF) pour le fusion de vaisseaux.

Le générateur CoolSeal™ détecte automatiquement les instruments codés et configure le générateur CoolSeal™ en conséquence. Les fonctionnalités de sécurité et de diagnostic comprennent des fonctions de sécurité automatiques.

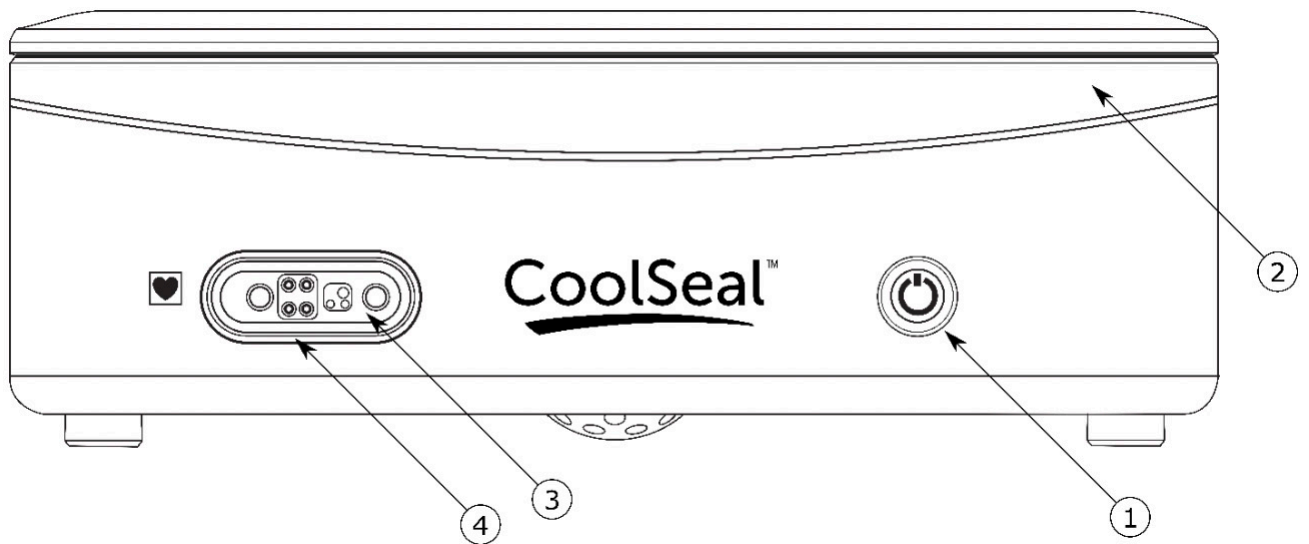
Indications d'utilisation

Le générateur CoolSeal™ est destiné à fournir de l'énergie radiofréquence (RF) aux instruments CoolSeal™ compatibles pour le fusion de vaisseaux. L'application spécifique dépendra du dispositif chirurgical compatible connecté au générateur. Ce générateur est conçu pour être utilisé uniquement avec des dispositifs chirurgicaux qui sont compatibles avec la technologie CoolSeal™.

Contre-indications d'utilisation

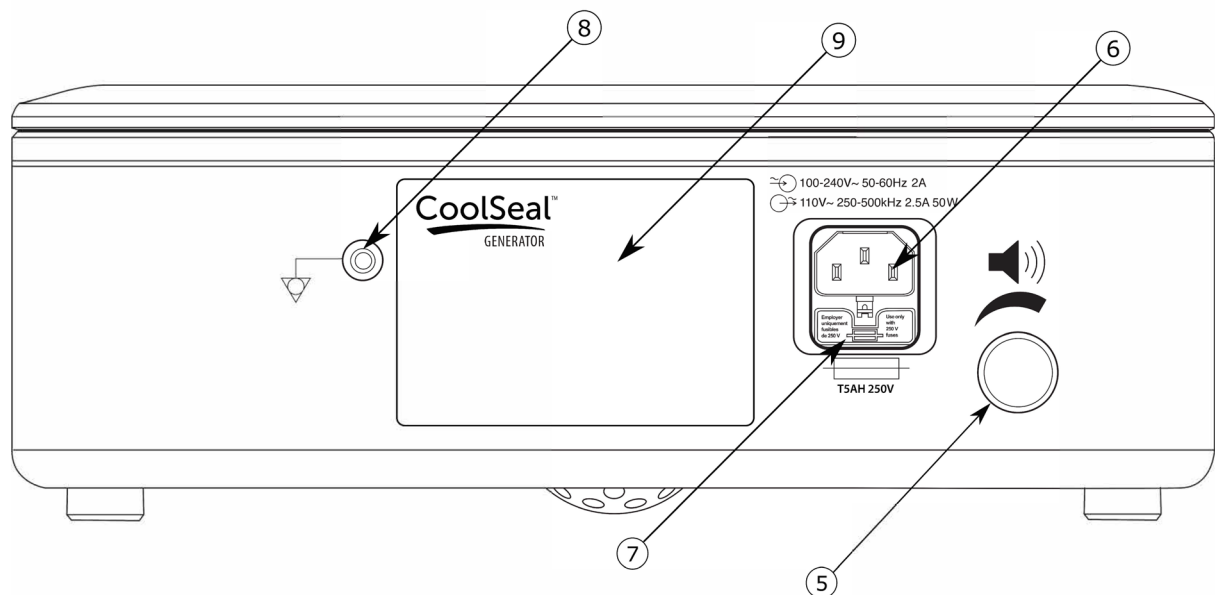
Aucune connue spécifiquement pour le générateur CoolSeal™.

Panneau avant



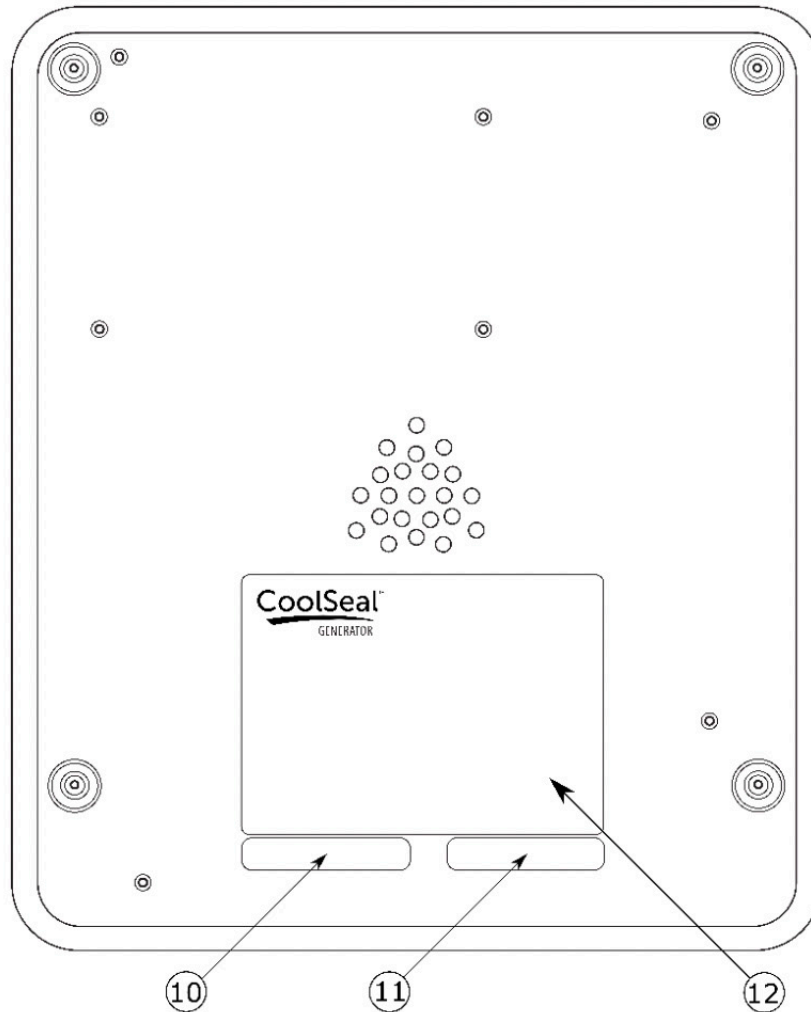
- (1) Bouton d'alimentation éclairé
- (2) Voyant d'activation
- (3) Prise pour instrument CoolSeal™
- (4) Voyant de la prise pour instrument

Panneau arrière



- (5) Contrôle du réglage du volume
- (6) Prise pour cordon d'alimentation
- (7) Tiroir à fusibles
- (8) Connecteur équipotentiel
- (9) Étiquette d'avertissements et de mises en garde de sécurité

Vue du bas



- (10) Étiquette de date du test final
- (11) Étiquette de version du logiciel
- (12) Étiquette d'informations de fabrication

Liste des accessoires

Cordon d'alimentation - Spécifique aux États-Unis
Câble de test fonctionnel CSL-FTC (non inclus)

Instruments de fusion de vaisseaux compatibles

Les instruments compatibles CoolSeal™ disposeront de connecteurs correspondant à l'illustration suivante. Se reporter au mode d'emploi de l'instrument CoolSeal™ pour la compatibilité avec la technologie CoolSeal™.



Chapitre 2. Sécurité du patient et de la salle d'opération

L'utilisation sûre et efficace de l'électrochirurgie dépend dans une large mesure de facteurs uniquement sous le contrôle de l'opérateur. Il n'existe aucun substitut à une équipe chirurgicale correctement formée et vigilante. Il est important de lire, comprendre et suivre les instructions d'utilisation fournies avec cet équipement électrochirurgical ou tout autre équipement électrochirurgical. L'électrochirurgie a été utilisée en toute sécurité au cours de nombreuses interventions chirurgicales. Avant de commencer toute intervention chirurgicale, le chirurgien doit être formé à la technique spécifique à mettre en œuvre et à l'intervention chirurgicale à réaliser, doit se familiariser avec la littérature médicale relative à l'intervention et aux complications potentielles, et doit se familiariser avec la balance bénéfices-risques de l'électrochirurgie dans le cadre de l'intervention.

Pour promouvoir l'utilisation sûre du générateur CoolSeal™, cette section présente les avertissements et les mises en garde qui apparaissent dans ce guide de l'utilisateur. Il est également important de lire, comprendre et respecter le mode d'emploi de l'instrument CoolSeal™.

Avertissements et mises en garde

Présentation générale

Mise en garde
Lire l'intégralité des avertissements, mises en garde et instructions fournis avec ce générateur avant son utilisation. Les instructions spécifiques aux instruments CoolSeal™ ne sont pas incluses dans ce manuel. Se reporter au mode d'emploi de l'instrument CoolSeal™ pour les avertissements, les mises en garde et les instructions d'utilisation.
La loi fédérale (États-Unis) limite la vente de ce dispositif à un médecin ou sur prescription médicale.

Consignes de sécurité lors de la configuration du générateur

Avertissement
Risque de choc électrique : brancher le cordon d'alimentation du système à une prise d'alimentation correctement mise à la terre. Ne pas utiliser d'adaptateurs pour fiche d'alimentation.
Risque d'incendie : ne pas utiliser de rallonges ou de prises multiples.
Sécurité du patient : utiliser le générateur CoolSeal™ uniquement si l'autotest de démarrage a été effectué comme décrit dans ce manuel, sous peine de délivrer des puissances de sortie imprécises.
Cet équipement est destiné à être utilisé uniquement par des médecins formés et autorisés à exercer. L'utilisation de cet équipement sans une telle formation peut entraîner des blessures graves chez le patient.
Le générateur CoolSeal™ est uniquement compatible avec les instruments CoolSeal™. Aucun autre instrument bipolaire ne peut être utilisé.
Ne pas enrouler les cordons de l'instrument autour d'objets métalliques. Cela peut induire des courants parasites susceptibles d'entraîner des chocs, des incendies ou des blessures chez le patient ou l'équipe chirurgicale.
Risque de choc électrique : ne pas connecter des connecteurs d'instruments humides au générateur CoolSeal™. S'assurer que tous les instruments et adaptateurs sont correctement connectés.
Inspecter le câble de l'équipement à la recherche de cassures, fissures, entailles et autres dommages avant chaque utilisation. S'il est endommagé, ne pas l'utiliser. Les câbles d'équipement endommagés peuvent entraîner des blessures ou un choc électrique chez le patient ou l'équipe chirurgicale.

Mise en garde

Régler le volume du système à un niveau qui garantit que les tonalités d'activation sont audibles.

Ne pas réduire la tonalité d'activation à un niveau inaudible. La tonalité d'activation avertit l'équipe chirurgicale lorsque le générateur CoolSeal™ délivre l'énergie RF.

Examiner tous les instruments et connexions au système avant utilisation. S'assurer que les instruments fonctionnent comme prévu. Une mauvaise connexion peut entraîner des arcs, des étincelles, un dysfonctionnement de l'instrument ou des effets chirurgicaux imprévus.

Un générateur CoolSeal™ qui ne fonctionne pas peut provoquer l'interruption de l'intervention chirurgicale. Un système de secours doit être disponible.

L'utilisation de coupleurs d'appareils, notamment des cordons d'alimentation, autres que ceux spécifiés, peut entraîner une augmentation des émissions ou une diminution de l'immunité de l'équipement.

Prévoir une distance aussi grande que possible entre le générateur CoolSeal™ et d'autres équipements électroniques tels que des moniteurs. Ne pas croiser ou grouper les cordons des dispositifs électroniques. Ce générateur peut provoquer des interférences avec d'autres équipements électroniques. Si des interférences se produisent, déplacer l'équipement.

Des études ont montré que les fumées générées pendant les interventions électrochirurgicales peuvent être potentiellement dangereuses pour les patients et l'équipe chirurgicale. Ces études recommandent une ventilation adéquate avec un évacuateur de fumées chirurgicales ou d'autres moyens.¹

1. U.S. Department of Health and Human Services. National Institute for Occupational Safety and Health (NIOSH). Control of Smoke from Laser/Electric Surgical Procedures. HAZARD CONTROLS, Publication No. 96-128, September 1996.

Compatibilité électromagnétique

Avertissement

L'utilisation de cet équipement à proximité ou au-dessus/au-dessous d'autres équipements doit être évitée, sous peine d'entraîner un fonctionnement incorrect. Si une telle utilisation est nécessaire, cet équipement et l'autre équipement doivent être observés pour vérifier qu'ils fonctionnent normalement.

Ne pas utiliser les équipements de communication RF portables à moins de 30 cm (12 pouces) d'une partie quelconque du générateur CoolSeal™, y compris les câbles spécifiés par Bolder Surgical, sous peine de provoquer la dégradation des performances de cet équipement.

Risque d'incendie pendant la chirurgie oropharyngée

Avertissement

Vérifier que les sondes endotrachéales sont exemptes de fuites et que leur ballonnet assure l'étanchéité afin d'éviter les fuites d'oxygène.

Stimulateurs cardiaques et DCI

Avertissement

NE PAS UTILISER chez les patients porteurs d'implants électroniques tels que des stimulateurs cardiaques sans avoir consulté au préalable un professionnel qualifié (par ex. un cardiologue). Il existe un risque potentiel, car il peut se produire une interférence avec le fonctionnement de l'implant électronique ou un endommagement de l'implant.

Connexion d'un instrument CoolSeal™

Avertissement

Risque de choc électrique

- Ne pas connecter d'instruments humides au générateur CoolSeal™
- S'assurer que tous les instruments sont correctement connectés et qu'aucun métal n'est exposé à un point de connexion

Brancher correctement l'instrument dans la prise. Une connexion incorrecte peut entraîner l'activation accidentelle de l'instrument ou d'autres conditions potentiellement dangereuses. Respecter les instructions fournies avec les instruments de fusion de vaisseaux CoolSeal™.

La prise pour instrument de ce système est conçue pour n'accepter qu'un seul instrument à la fois. Ne pas tenter de connecter plusieurs instruments à la fois dans une prise donnée. Cela entraînerait l'activation simultanée des instruments.

Mise en garde

Avant chaque utilisation, inspecter les instruments et les cordons à la recherche de ruptures, fissures, entailles et autres dommages. S'il est endommagé, ne pas l'utiliser. Les instruments ou cordons endommagés peuvent entraîner des blessures ou un choc électrique chez le patient ou l'équipe chirurgicale.

Nettoyage du générateur CoolSeal™

Avertissement

Risque de choc électrique

Toujours éteindre et débrancher le générateur CoolSeal™ avant le nettoyage.

Entretien du générateur CoolSeal™

Avertissement

Risque de choc électrique

Ne pas retirer le couvercle du générateur CoolSeal™.

Ne pas tenter de réparer le générateur CoolSeal™. Tous les travaux d'entretien et de réparation doivent être effectués par un technicien de Bolder Surgical™.

Mise en garde

Le générateur CoolSeal™ ne doit pas être éliminé en fin de vie avec les autres déchets. Pour recycler l'équipement usagé, demander les instructions à Bolder Surgical (appeler le +1.866.683.1743) ou contacter le représentant commercial local pour discuter des solutions et des procédures locales d'élimination des déchets. Le générateur CoolSeal™ présente des risques, en ce qui concerne l'élimination, similaires à ceux des équipements électroniques grand public comme les ordinateurs. Aucune substance radioactive, aucune batterie ou aucun liquide dangereux ne pourrait fuir du générateur CoolSeal™.

Chapitre 3. Configuration et utilisation du générateur CoolSeal™

Ce chapitre couvre les sujets suivants :

- Déballage du générateur CoolSeal™
- Inspection du générateur CoolSeal™
- Consignes de sécurité relatives à la configuration
- Configuration du générateur CoolSeal™
- Réglage du volume des tonalités d'activation
- Connexion d'un instrument CoolSeal™
- Activation de l'instrument CoolSeal™
- Descriptions des conditions d'alerte

Mise en garde

Lire l'intégralité des avertissements, mises en garde et instructions fournis avec ce générateur avant son utilisation. Les instructions spécifiques aux instruments CoolSeal™ ne sont pas incluses dans ce manuel. Se reporter au mode d'emploi de l'instrument CoolSeal™ pour les avertissements, les mises en garde et les instructions d'utilisation.

Déballage du générateur CoolSeal™

1. Déballer le générateur CoolSeal™ de son carton d'expédition et du matériau d'emballage.
2. Inspecter l'appareil pour détecter tout dommage visible.

Inspection du générateur CoolSeal™

Avant chaque utilisation du générateur CoolSeal™, vérifier que l'unité et tous les accessoires sont en bon état de fonctionnement :

- Inspecter le générateur et tous ses raccordements pour vérifier qu'ils ne sont pas endommagés.
- Inspecter tous les cordons et connecteurs à la recherche de signes d'usure, de dommages et d'abrasion.
- Vérifier qu'aucune erreur ne se produit lors de la mise sous tension de l'unité.

Consignes de sécurité relatives à la configuration

Avertissement

Risque de choc électrique : brancher le cordon d'alimentation du système à une prise d'alimentation correctement mise à la terre. Ne pas utiliser d'adaptateurs pour fiche d'alimentation.

Risque d'incendie : ne pas utiliser de rallonges ou de prises multiples.

Sécurité du patient : utiliser le générateur CoolSeal™ uniquement si l'autotest de démarrage a été effectué comme décrit dans ce manuel, sous peine de délivrer des puissances de sortie imprécises.

Cet équipement est destiné à être utilisé uniquement par des médecins formés et autorisés à exercer. L'utilisation de cet équipement sans une telle formation peut entraîner des blessures graves chez le patient.

Le générateur CoolSeal™ est uniquement compatible avec les instruments CoolSeal™. Aucun autre instrument bipolaire ne peut être utilisé.

Ne pas enrouler les cordons de l'instrument autour d'objets métalliques. Cela peut induire des courants parasites susceptibles d'entraîner des chocs, des incendies ou des blessures chez le patient ou l'équipe chirurgicale.

Risque de choc électrique : ne pas connecter des connecteurs d'instruments humides au générateur CoolSeal™. S'assurer que tous les instruments et adaptateurs sont correctement connectés.

Inspecter le câble de l'équipement à la recherche de cassures, fissures, entailles et autres dommages avant chaque utilisation. S'il est endommagé, ne pas l'utiliser. Les câbles d'équipement endommagés peuvent entraîner des blessures ou un choc électrique chez le patient ou l'équipe chirurgicale.

Mise en garde

Régler le volume du système à un niveau qui garantit que les tonalités d'activation sont audibles.

Ne pas réduire la tonalité d'activation à un niveau inaudible. La tonalité d'activation avertit l'équipe chirurgicale lorsque le générateur CoolSeal™ délivre l'énergie RF.

Examiner tous les instruments et connexions au système avant utilisation. S'assurer que les instruments fonctionnent comme prévu. Une mauvaise connexion peut entraîner des arcs, des étincelles, un dysfonctionnement de l'instrument ou des effets chirurgicaux imprévus.

Un générateur CoolSeal™ qui ne fonctionne pas peut provoquer l'interruption de l'intervention chirurgicale. Un système de secours doit être disponible.

L'utilisation de coupleurs d'appareils, notamment des cordons d'alimentation, autres que ceux spécifiés, peut entraîner une augmentation des émissions ou une diminution de l'immunité de l'équipement.

Prévoir une distance aussi grande que possible entre le générateur CoolSeal™ et d'autres équipements électroniques tels que des moniteurs. Ne pas croiser ou grouper les cordons des dispositifs électroniques. Ce générateur peut provoquer des interférences avec d'autres équipements électroniques. Si des interférences se produisent, déplacer l'équipement.

Des études ont montré que les fumées générées pendant les interventions électrochirurgicales peuvent être potentiellement dangereuses pour les patients et l'équipe chirurgicale. Ces études recommandent une ventilation adéquate avec un évacuateur de fumées chirurgicales ou d'autres moyens.¹

1. U.S. Department of Health and Human Services. National Institute for Occupational Safety and Health (NIOSH). Control of Smoke from Laser/Electric Surgical Procedures. HAZARD CONTROLS, Publication No. 96-128, September 1996.

Configuration du générateur CoolSeal™

1. Placer le générateur CoolSeal™ sur une surface plane et stable telle qu'une table, une plate-forme, un bras articulé ou un chariot. Les chariots avec roues non conductrices sont recommandés. Se reporter aux procédures de l'établissement ou aux codes locaux.
2. Si l'établissement ou les codes locaux l'exigent, brancher le connecteur équipotentiel à une source reliée à la terre.
3. Brancher le cordon d'alimentation du système à la prise électrique sur le panneau arrière.
4. Brancher le cordon d'alimentation du système à une prise d'alimentation secteur mise à la terre.


Avis

Ne pas connecter le générateur CoolSeal™ à une multiprise ou une rallonge.

Ne pas positionner l'appareil de sorte qu'il soit difficile de débrancher le cordon d'alimentation.

Important

En cas de transport ou de stockage à des températures en dehors de la plage de température de fonctionnement, prévoir une heure pour que le générateur CoolSeal™ atteigne sa température de fonctionnement avant utilisation.

Allumer le système en appuyant sur le bouton d'alimentation/veille () à l'avant de l'unité. Observer les points suivants pendant l'autotest de mise sous tension :

- L'unité effectue l'autotest de démarrage.
- Le bouton d'alimentation s'allume en vert.
- L'alerte sonore émet trois (3) tonalités d'une demi-seconde après un autotest réussi.

Avis

Vérifier que le système a réussi l'autotest de démarrage avant de connecter les instruments.

Si l'unité échoue à l'autotest de démarrage :

- Le bouton d'alimentation ne s'allume pas ou s'allume en rouge
- Une alerte sonore émet une (1) tonalité d'une demi-seconde après l'échec de l'autotest

Se reporter aux sections *Conditions d'alerte* ou *Résolution des problèmes* pour plus d'informations

Réglage du volume

Le volume des tonalités d'alerte et d'activation peut être ajusté en tournant le bouton de volume sur le panneau arrière du générateur CoolSeal™.

Avis

Le volume minimum des tonalités d'alerte sera toujours plus fort que la tonalité d'activation.

Connexion d'un instrument CoolSeal™

Avertissement

Risque de choc électrique

- Ne pas connecter d'instruments humides au générateur CoolSeal™.
- S'assurer que tous les instruments sont correctement connectés et qu'aucun métal n'est exposé à un point de connexion.

Brancher correctement l'instrument dans la prise. Une connexion incorrecte peut entraîner l'activation accidentelle de l'instrument ou d'autres conditions potentiellement dangereuses. Pour une connexion et une utilisation correctes, respecter les instructions fournies avec les instruments CoolSeal™.

La prise pour instrument de ce système est conçue pour n'accepter qu'un seul instrument à la fois. Ne pas tenter de connecter plusieurs instruments à la fois dans une prise donnée. Cela entraînerait l'activation simultanée des instruments.

Mise en garde

Avant chaque utilisation, inspecter les instruments et les cordons à la recherche de ruptures, fissures, entailles et autres dommages. S'il est endommagé, ne pas l'utiliser. Les instruments ou cordons endommagés peuvent entraîner des blessures ou un choc électrique chez le patient ou l'équipe chirurgicale.

Connexion d'un instrument CoolSeal™ au générateur CoolSeal™

1. Connecter un instrument CoolSeal™ à la prise pour instrument sur le panneau avant du générateur CoolSeal™.
2. Vérifier le bon positionnement et la bonne connexion en observant le voyant vert de la prise pour instrument.

Si le générateur CoolSeal™ ne reconnaît pas l'instrument connecté, le voyant de la prise pour instrument s'allume en rouge ou ne s'allume pas et une seule tonalité d'alerte retentit. Se reporter aux sections *Conditions d'alerte* ou *Résolution des problèmes*.

Activation d'un instrument CoolSeal™

1. Activer l'instrument CoolSeal™ conformément au mode d'emploi de l'instrument.
2. Observer les points suivants pendant l'activation de l'instrument :
 - Le voyant d'activation s'allume en bleu et varie en luminosité pendant la durée de délivrance de l'énergie.
 - Une tonalité d'activation retentit en continu lors de la délivrance d'énergie.
3. Lorsque le cycle de fusion est terminé, observer les points suivants :
 - Une séquence à trois tonalités retentit lorsque le fusion est terminé. Le bouton d'activation doit alors être relâché.
 - Le voyant d'activation sur le panneau avant du générateur CoolSeal™ s'allume momentanément en bleu.
 - Puis le voyant d'activation s'éteint.

Dans le cas d'une condition d'alerte, se reporter aux sections *Conditions d'alerte* ou *Résolution des problèmes*.

Descriptions des conditions d'alerte

Lorsqu'une condition d'alerte se produit :

- Une tonalité d'alerte va se déclencher
- L'un des voyants du générateur CoolSeal™ s'affiche en bleu, orange ou rouge
- La délivrance d'énergie est interrompue

L'énergie sera disponible après correction de la condition d'alerte. Se reporter au tableau suivant pour résoudre les conditions d'alerte :

Condition d'alerte :	Indiqué par :	Causes :	Résolution :
Fusion terminé	<ul style="list-style-type: none"> • Une alerte à trois tonalités séquentielles • La délivrance d'énergie RF s'arrête • Le voyant d'activation s'allume en bleu pendant une demi-seconde (0,5 s) 	Fusion réussi du vaisseau.	Aucune. Fonctionnement normal.
Réactiver/Fusion incomplet	<ul style="list-style-type: none"> • Tonalité d'alerte à trois impulsions • La délivrance d'énergie RF s'arrête • Le voyant d'activation s'allume en orange pendant une (1) seconde 	<p>Le temps de fusion dépasse cinq (5) secondes OU L'utilisateur a ouvert les mors de l'instrument ou relâché le bouton d'activation, ce qui entraîne l'interruption du cycle de fusion avant la fin du fusion OU Le courant reste à la limite maximale de courant pendant plus de quatre (4) secondes, ce qui indique qu'un court-circuit électrique s'est produit entre les mors OU L'instrument a été activé à l'air libre.</p>	<ol style="list-style-type: none"> 1. Relâcher le bouton d'activation 2. Appuyer sur le bouton d'activation pour réactiver le cycle de fusion sans repositionner l'instrument 3. Ouvrir les mors de l'instrument et vérifier le fusion 4. Si possible, repositionner l'instrument et saisir à nouveau le tissu à un autre endroit, puis réactiver le cycle de fusion 5. Inspecter visuellement le fusion avant la dissection
Les conditions d'utilisation possibles comprennent :			
		Saisie de tissu fin ou activation à l'air libre.	Ouvrir les mors et confirmer qu'une quantité suffisante de tissu se trouve entre les mors. Si nécessaire, augmenter la quantité de tissu et répéter la procédure
		Saisie d'une quantité trop importante de tissu entre les mors.	Ouvrir les mors et réduire la quantité de tissu saisi, puis réactiver le cycle de fusion
		Saisie d'un objet métallique.	Éviter de saisir des objets, tels que des agrafes, des clips ou des fils de suture encapsulés entre les mors de l'instrument
		Activation dans un excès de fluides accumulés autour de l'extrémité de l'instrument.	<ol style="list-style-type: none"> 1. Réduire au minimum ou éliminer l'excès de fluides 2. Réactiver le cycle de fusion sans repositionner l'instrument
		Accumulation excessive de tissus nécrosés sur les extrémités des électrodes.	Utiliser une compresse de gaze humide pour nettoyer les surfaces et les bords des mors de l'instrument.

Erreur système	<ul style="list-style-type: none"> • Une tonalité d'alerte à une seule impulsion • La délivrance d'énergie RF s'arrête, le bouton d'alimentation s'allume en rouge fixe 	Le générateur ne fonctionne pas correctement, échec d'un autotest interne.	<ol style="list-style-type: none"> 1. Appuyer sur le bouton d'alimentation pour éteindre le générateur 2. Attendre au moins 30 secondes 3. Appuyer sur le bouton d'alimentation pour allumer le générateur 4. Confirmer que le bouton d'alimentation est allumé en vert avant son utilisation. <p>Si l'erreur système se reproduit :</p> <ul style="list-style-type: none"> • Ne pas utiliser le générateur. • Utiliser un autre générateur CoolSeal™ ou d'autres moyens pour terminer l'intervention chirurgicale. <p>Retourner le générateur défectueux conformément aux instructions de la section Service après-vente de ce guide.</p>
Erreur d'instrument	<ul style="list-style-type: none"> • Une tonalité d'alerte à une seule impulsion • Le voyant de la prise pour instrument s'allume en orange et clignote en continu • Le générateur n'autorise pas la délivrance d'énergie RF 	Le générateur ne fonctionne pas correctement, échec d'un autotest interne.	<ol style="list-style-type: none"> 1. Déconnecter l'instrument du générateur. 2. S'assurer que le bouton d'activation de l'instrument n'est pas enfoncé. 3. Rebrancher l'instrument au générateur. 4. Confirmer que le voyant de la prise pour instrument s'allume en vert <p>Si l'erreur d'instrument se reproduit :</p> <ul style="list-style-type: none"> • Ne pas utiliser l'instrument • Utiliser un autre instrument CoolSeal™.
		Les conditions d'utilisation possibles comprennent :	
		Pression accidentelle sur le bouton d'activation de l'instrument pendant la connexion de l'instrument.	Retirer tout ce qui appuie sur le bouton d'activation de l'instrument et reconnecter l'instrument.
		Le commutateur de l'instrument est défectueux.	Remplacer l'instrument.

Instrument non valide	<ul style="list-style-type: none"> • Tonalité d'alerte à une seule impulsion • Le voyant de la prise pour instrument s'allume en rouge fixe • Le générateur n'autorise pas la délivrance d'énergie RF 	Un instrument inutilisable est connecté.	<ol style="list-style-type: none"> 1. Déconnecter l'instrument du générateur. 2. S'assurer que l'instrument est compatible avec CoolSeal™ 3. Reconnecter l'instrument au générateur. 4. Confirmer que le voyant de la prise pour instrument s'allume en vert <p>En cas de récurrence de l'erreur d'instrument :</p> <ul style="list-style-type: none"> • Ne pas utiliser l'instrument • Utiliser un autre instrument CoolSeal™.
		Les conditions d'utilisation possibles comprennent :	
		L'instrument connecté n'est pas compatible avec la technologie CoolSeal™.	Confirmer la compatibilité de l'instrument avec la technologie CoolSeal™ en lisant le mode d'emploi de l'instrument.
		L'instrument connecté a déjà été utilisé.	Éliminer l'instrument.
		Impossible d'utiliser l'instrument avec la version du logiciel.	<p>Confirmer que la version du logiciel requise par l'instrument n'est pas supérieure à la version du logiciel indiquée en dessous du générateur CoolSeal™.</p> <p>Pour une mise à niveau du logiciel, se reporter à la section Mise à niveau logicielle.</p>

Chapitre 4. Après l'intervention chirurgicale


Ce chapitre couvre les sujets suivants :

- Mise hors tension du générateur CoolSeal™
- Préparation du générateur CoolSeal™ pour la réutilisation

Mise en garde

Lire l'intégralité des avertissements, mises en garde et instructions fournis avec ce générateur avant son utilisation. Les instructions spécifiques aux instruments CoolSeal™ ne sont pas incluses dans ce manuel. Se reporter au mode d'emploi de l'instrument CoolSeal™ pour les avertissements, les mises en garde et les instructions d'utilisation.

Mise hors tension du générateur CoolSeal™

1. Éteindre le système en appuyant sur le bouton d'alimentation/veille () à l'avant de l'unité. Observer les points suivants :
 - Le voyant du bouton d'alimentation/veille s'éteint.

Si nécessaire, le générateur peut être mis hors tension en retirant le cordon d'alimentation de la prise d'alimentation ou de la prise murale.

Préparation du générateur CoolSeal™ pour la réutilisation

Étape 1 – Déconnexion des instruments CoolSeal™

1. Déconnecter l'instrument du panneau avant.
2. Éliminer l'instrument à usage unique conformément aux procédures de l'établissement.

Étape 2 – Nettoyage du générateur CoolSeal™

Avertissement

Risque de choc électrique

Toujours éteindre et débrancher le générateur CoolSeal™ avant le nettoyage.

Avis

Nettoyer le générateur CoolSeal™ avec des produits nettoyants et désinfectants ininflammables chaque fois que possible. Ne pas utiliser de produits nettoyants ou désinfectants, de solvants ou d'autres matériaux abrasifs qui pourraient rayer les panneaux ou endommager le générateur, comme les hydrocarbures chlorés ou d'autres dissolvants pour plastiques.

- Éteindre le générateur et débrancher le cordon d'alimentation de la prise murale.
- Essuyer soigneusement toutes les surfaces du générateur et du cordon d'alimentation avec une solution nettoyante ou désinfectante douce et un chiffon humide. En cas d'utilisation d'eau de Javel à base de chlore, diluer avant le nettoyage.
- Suivre les procédures approuvées par l'établissement ou respecter des procédures validées de lutte contre les infections.
- Ne pas immerger, rincer agressivement ou laisser pénétrer des liquides dans le châssis.

Chapitre 5. Résolution des problèmes

Ce chapitre couvre les sujets suivants :

- Directives générales de résolution des problèmes
- Correction des dysfonctionnements

Mise en garde

Lire l'intégralité des avertissements, mises en garde et instructions fournis avec ce générateur avant son utilisation. Les instructions spécifiques aux instruments CoolSeal™ ne sont pas incluses dans ce manuel. Se reporter au mode d'emploi de l'instrument CoolSeal™ pour les avertissements, les mises en garde et les instructions d'utilisation.

Directives générales de résolution des problèmes

En cas de dysfonctionnement du générateur CoolSeal™, vérifier les conditions évidentes susceptibles d'être à l'origine du problème :

- Vérifier que tous les cordons sont connectés et correctement attachés.
- Vérifier le système à la recherche de signes visibles de dommages physiques.
- Éteindre le système et le rallumer.

Si le dysfonctionnement persiste, le système peut nécessiter une réparation. Contacter le service d'ingénierie biomédicale de l'établissement, Bolder Surgical ou le distributeur agréé.

Si des incidents surviennent lors de l'utilisation du système CoolSeal™, les utilisateurs doivent signaler ces problèmes directement à Bolder Surgical par téléphone (+1.866.683.1743) ou par e-mail (complaints@boldsurg.com) et à l'autorité compétente locale.

Correction des dysfonctionnements

Si la solution n'est pas évidente, utiliser le tableau ci-dessous pour aider à identifier et corriger des dysfonctionnements spécifiques. Après avoir corrigé le dysfonctionnement, vérifier que le système effectue l'autotest comme décrit dans le chapitre Configuration du système.

Réponse anormale du patient :

Condition :	Causes :	Résolution :
Stimulation neuromusculaire anormale (arrêter immédiatement l'intervention chirurgicale)	Étincelles entre métaux	Vérifier toutes les connexions au générateur CoolSeal™.
	Courants de fuite à 50 Hz/60 Hz anormaux	Utiliser un générateur CoolSeal™ de secours. Contacter le service local d'ingénierie biomédicale ou un représentant local du service technique Bolder Surgical™ pour obtenir de l'aide.

Dysfonctionnements du générateur CoolSeal™ :

Condition :	Causes :	Résolution :
Le générateur CoolSeal™ ne répond pas lorsqu'il est allumé	Cordon d'alimentation débranché ou prise murale défectueuse	Vérifier les connexions du cordon d'alimentation (générateur CoolSeal™ et prise murale). Brancher le cordon d'alimentation à une prise fonctionnelle.
	Cordon d'alimentation défectueux	Remplacer le cordon d'alimentation.
	Les fusibles sont grillés	Contactez le service local d'ingénierie biomédicale ou un représentant local du service technique Bolder Surgical™ pour obtenir de l'aide.
	Dysfonctionnement d'un composant interne	Utiliser un générateur CoolSeal™ de secours. Contacter le service local d'ingénierie biomédicale ou un représentant local du service technique Bolder Surgical™ pour obtenir de l'aide.
Le système est allumé, mais n'a pas réussi l'autotest ou il s'est arrêté de fonctionner pendant l'utilisation – Une tonalité à une seule impulsion est émise et le bouton d'alimentation s'allume en rouge	Unité stockée dans un endroit froid	Laisser l'unité se réchauffer à température ambiante.
	Dysfonctionnement récupérable du logiciel	Utiliser un générateur CoolSeal™ de secours. Contacter le service local d'ingénierie biomédicale ou un représentant local du service technique Bolder Surgical™ pour obtenir de l'aide.
	Dysfonctionnement d'un composant interne ou dysfonctionnement non récupérable du logiciel	Dysfonctionnement d'un composant interne.
Le système est allumé, une seule tonalité est émise et le voyant de la prise pour instrument est orange clignotant .	Démarrage du système avec un instrument défectueux branché à la prise pour instrument	Déconnecter l'instrument. Éteindre le générateur CoolSeal™. Allumer le générateur CoolSeal™.
	Instrument incorrect ou périmé	Brancher l'instrument.
	Défaillance de l'instrument	Remplacer l'instrument s'il continue à présenter un dysfonctionnement.
Le système est allumé, le bouton d'alimentation est allumé en vert lors du branchement de l'instrument, une tonalité unique est émise et le voyant de la prise pour instrument s'allume en rouge .	L'instrument CoolSeal™ n'est pas compatible avec la version logicielle	Demander au service local d'ingénierie biomédicale de vérifier auprès du fabricant du dispositif. Pour une mise à niveau du logiciel, se reporter à la section Mise à niveau logicielle.
	La reconnaissance de l'instrument a échoué en raison d'une connexion intermittente	Débrancher l'instrument Rebrancher correctement l'instrument.
	Dysfonctionnement récupérable du logiciel	Éteindre le système, puis le rallumer.
Le générateur CoolSeal™ est allumé et l'instrument est activé, mais le système ne délivre pas d'énergie – pas de tonalité ni de voyant d'activation	Dysfonctionnement d'un composant interne ou dysfonctionnement non récupérable du logiciel	Utiliser un générateur CoolSeal™ de secours. Contacter le service local d'ingénierie biomédicale ou un représentant local du service technique Bolder Surgical™ pour obtenir de l'aide.
	Une condition d'alerte existe	Se reporter à la section Conditions d'alerte.
	Le système ne détecte pas l'instrument de fusion de vaisseaux	Insérer correctement le connecteur dans la prise du panneau avant du générateur CoolSeal™. S'assurer que le voyant de la prise est allumé en vert pour indiquer qu'un instrument CoolSeal™ a été correctement branché et reconnu.
	Dysfonctionnement d'un composant interne ou dysfonctionnement non récupérable du logiciel	Contactez le service local d'ingénierie biomédicale ou un représentant local du service technique Bolder Surgical™ pour obtenir de l'aide.

Fusion incomplet/Réactiver – Une tonalité à trois impulsions est émise, le voyant d'activation s'allume en orange sur le panneau avant du générateur et la sortie RF est désactivée	Le cycle de fusion dépassait 5 secondes OU La commande manuelle a été relâchée avant que la tonalité de fin ne retentisse	Du temps et de l'énergie supplémentaires sont nécessaires pour terminer le cycle de fusion. Réactiver le cycle de fusion sans retirer ni repositionner l'instrument. Inspecter visuellement le fusion avant la dissection.
	Du métal ou un autre corps étranger est saisi entre les mors	Éviter de saisir des objets, tels que des agrafes, des clips ou des fils de suture encapsulés entre les mors de l'instrument.
	Le tissu saisi entre les mors est trop mince	Ouvrir les mors et confirmer qu'une quantité suffisante de tissu se trouve entre les mors. Si nécessaire, augmenter la quantité de tissu et répéter la procédure.
	Accumulation de fluides autour de l'extrémité de l'instrument	Réduire au minimum ou éliminer l'excès de fluides. Nettoyer les extrémités des électrodes et les mors avec une compresse de gaze humide.
	L'instrument a été activé à l'air libre	Relâcher le bouton d'activation. Saisir le tissu et activer le cycle de fusion.
L'instrument est connecté, mais le fusion de vaisseau ne s'active pas	L'instrument n'est pas entièrement branché dans la prise pour instrument	Débrancher l'instrument, le reconnecter et attendre un instant.

Interactions potentielles avec d'autres dispositifs :

Condition :	Causes :	Résolution :
Interférence continue du moniteur	Moniteur défectueux	Se reporter aux instructions d'utilisation du moniteur pour la résolution de problèmes.
	Connexions châssis-terre défectueuses	Vérifier et corriger les connexions à la terre du châssis pour le moniteur et pour le générateur CoolSeal™. Vérifier si d'autres équipements électriques de la pièce ont une connexion à la terre défectueuse.
	La terre de l'équipement électrique est reliée à différents objets plutôt qu'à une terre commune. Le générateur CoolSeal™ peut réagir aux différences de tension résultantes entre les objets mis à la terre.	Connecter tous les équipements électriques à l'alimentation secteur au même endroit. Contacter le service local d'ingénierie biomédicale ou un représentant local du service technique Bolder Surgical™ pour obtenir de l'aide.
	Si les interférences continuent lorsque le générateur CoolSeal™ est activé, le moniteur répond aux fréquences rayonnées.	Demander au service local d'ingénierie biomédicale de vérifier auprès du fabricant du moniteur. Certains fabricants proposent des filtres d'atténuation RF à utiliser dans les câbles du moniteur. Les filtres réduisent les interférences lorsque le générateur CoolSeal™ est activé et limitent le risque de brûlure électrochirurgicale au niveau du site de l'électrode du moniteur.
Interférences avec un stimulateur cardiaque	Connexions intermittentes ou étincelles entre métaux	Toujours surveiller les patients porteurs de stimulateurs cardiaques pendant l'intervention chirurgicale et garder un défibrillateur à disposition.
Activation du défibrillateur cardiaque implantable (DCI)	Le DCI est activé par le générateur CoolSeal™	Arrêter l'intervention et contacter le fabricant du DCI pour obtenir des instructions.
Interférences avec d'autres dispositifs uniquement lorsque le générateur CoolSeal™ est activé	Incohérence dans le branchement électrique des câbles de mise à la terre dans la salle d'opération	Tous les câbles de mise à la terre doivent aboutir au même métal mis à la terre avec des câbles aussi courts que possible.
	Si les interférences se poursuivent lorsque le générateur CoolSeal™ est activé, le dispositif répond à des fréquences rayonnées.	Demander au service local d'ingénierie biomédicale de vérifier auprès du fabricant du dispositif.

Chapitre 6. Tests fonctionnels, maintenance et entretien périodiques

Ce chapitre présente les informations suivantes :

- Responsabilité du fabricant
- Tests fonctionnels et maintenance périodiques
- Retour du générateur pour réparation
- Mises à niveau logicielles

Mise en garde

Lire l'intégralité des avertissements, mises en garde et instructions fournis avec ce générateur avant son utilisation. Les instructions spécifiques aux instruments CoolSeal™ ne sont pas incluses dans ce manuel. Se reporter au mode d'emploi de l'instrument CoolSeal™ pour les avertissements, les mises en garde et les instructions d'utilisation.

Responsabilité du fabricant

Bolder Surgical est responsable de la sécurité, de la fiabilité et des performances du générateur CoolSeal™ exclusivement lorsque les conditions suivantes sont satisfaites :

- Les procédures d'installation et de configuration de ce manuel sont respectées.
- Les opérations de montage, les réajustements, les modifications ou les réparations sont effectués par des personnes agréées par Bolder Surgical.
- L'installation électrique du local concerné satisfait à la réglementation locale et aux normes internationales, comme celles de la CEI ou du BSI.
- Le matériel est utilisé conformément au mode d'emploi de Bolder Surgical. Pour toute information relative à la garantie, se reporter à la section Garantie de ce manuel.

Tests fonctionnels et maintenance périodiques

Quand effectuer les tests fonctionnels périodiques ?

Bolder Surgical recommande qu'un test fonctionnel périodique du générateur CoolSeal™ soit réalisé au moins une fois tous les deux ans. Le test fonctionnel périodique doit être exclusivement effectué par un technicien biomédical qualifié ou le générateur CoolSeal™ peut être renvoyé à Bolder Surgical ou à son distributeur pour un test fonctionnel périodique. Consulter l'Annexe A pour des instructions détaillées sur le test fonctionnel périodique.

Quand remplacer le cordon d'alimentation ?

Remplacer le cordon d'alimentation en cas de fils dénudés, de fissures, d'effilochage ou si le connecteur est endommagé.

Quand remplacer les fusibles ?

Le service d'ingénierie biomédicale de l'hôpital peut parfois avoir besoin de remplacer les fusibles. Les fusibles doivent être remplacés soit lorsqu'un fusible s'est déclenché pour protéger le générateur CoolSeal™, soit conformément aux spécifications du service d'ingénierie biomédicale de l'hôpital pour la maintenance préventive. Si des défaillances répétées des fusibles se produisent pendant une courte période, ne pas continuer à remplacer les fusibles et renvoyer le générateur CoolSeal™ pour réparation.

Comment remplacer les fusibles ?

1. Éteindre le générateur et débrancher le cordon d'alimentation de la prise murale.
2. Débrancher le cordon d'alimentation du système de la prise électrique sur le panneau arrière.
3. Déverrouiller le plateau de fusibles sous la prise électrique.
4. Retirer les deux fusibles.

5. Se procurer des fusibles dont la valeur nominale est indiquée sous la prise électrique du panneau arrière.
6. Insérer les deux fusibles.
7. Insérer et verrouiller le plateau de fusibles.

Service après-vente

Avertissement

Risque de choc électrique : ne pas retirer le couvercle du générateur CoolSeal™.

Ne pas tenter de réparer le générateur CoolSeal™. Tous les travaux d'entretien et de réparation doivent être effectués par du personnel agréé de Bolder Surgical™.

Retour du générateur CoolSeal™ pour réparation

Avant de retourner le générateur CoolSeal™, appeler le représentant commercial local de Bolder Surgical™ pour obtenir de l'aide. Si l'on invite à retourner le générateur à Bolder Surgical, procéder comme suit :

1. Appeler le service client régional de Bolder Surgical™ pour obtenir un numéro d'autorisation de retour de matériel. Avoir les informations suivantes à disposition lors de l'appel :
 - Nom de l'hôpital/de la clinique/numéro de client
 - Numéro de téléphone
 - Service/adresse, ville, État et code postal
 - Numéro de modèle
 - Numéro de série
 - Description du problème
 - Type d'entretien, mise à niveau ou réparation à effectuer
2. Nettoyer le générateur CoolSeal™.
 - Consulter la section Nettoyage ci-dessus.
3. Expédier le générateur CoolSeal™.
 - Attacher une étiquette au générateur indiquant le numéro d'autorisation de retour et les informations (hôpital, numéro de téléphone, etc.) énumérées à l'étape 1.
 - S'assurer que le générateur est complètement sec avant de l'emballer pour l'expédition. L'emballer dans son contenant d'expédition d'origine, si disponible.
 - Expédier le générateur, port payé, au centre d'entretien de Bolder Surgical™.

Mises à niveau logicielles

Seul le personnel de Bolder Surgical™ doit procéder aux mises à niveau logicielles. Consulter *Retour du générateur CoolSeal™ pour réparation* (ci-dessus) pour les instructions.

Chapitre 7. Caractéristiques techniques

Toutes les caractéristiques techniques sont nominales et sujettes à modification sans préavis.

Une caractéristique dite « type » se situe dans une plage correspondant à $\pm 20\%$ d'une valeur définie à température ambiante (25 °C / 77 °F) pour une tension secteur nominale.

Mise en garde

Lire l'intégralité des avertissements, mises en garde et instructions fournis avec ce générateur avant son utilisation. Les instructions spécifiques aux instruments CoolSeal™ ne sont pas incluses dans ce manuel. Se reporter au mode d'emploi de l'instrument CoolSeal™ pour les avertissements, les mises en garde et les instructions d'utilisation.

Caractéristiques de performance

Générales

Configuration de sortie :	Sortie isolée
Refroidissement :	Convection naturelle ambiante
Voyants :	Témoins et commutateur d'alimentation/veille
Ports de connexion :	Détection de connecteur à LED
Montage :	Systèmes de bras articulé de salle d'opération Toute surface plane stable, telle qu'une table ou un dessus de chariot

Dimensions et poids

Largeur :	30,5 cm (12 po)
Profondeur :	38,1 cm (15 po)
Hauteur :	10,9 cm (4,3 po)
Poids :	5,4 kg (12 livres)

Paramètres de fonctionnement

Plage de température ambiante :	+10 °C à +35 °C
Humidité relative :	30 à 75 % (sans condensation)
Pression atmosphérique :	67 à 111 kilopascals
Temps de réchauffement :	Si le générateur CoolSeal™ a été transporté ou stocké à une température située en dehors de la plage de température de fonctionnement, le laisser s'équilibrer pendant une heure à température ambiante avant de l'utiliser.

Transport et stockage

Plage de température ambiante :	-20 °C à +60 °C
Humidité relative :	0 à 90 % (sans condensation)
Pression atmosphérique :	46 à 111 kilopascals

Mémoire interne

Non volatile :	RAM
Capacité de stockage :	La mémoire peut stocker des informations sur les 2000 derniers cycles de fusion. Les données ne sont pas spécifiques aux patients et ne sont pas accessibles par l'utilisateur.

Tonalité d'activation

Les niveaux sonores indiqués ci-dessous sont destinés aux tonalités d'activation du fusion à une distance d'un mètre.

Volume (réglable) :	40 à 80 dBA
Fréquence	
Fusion CoolSeal™ :	349,2 Hz
Durée :	Continue pendant que le système délivre activement l'énergie RF

Tonalités d'alerte

Volume (réglable) :	65 à 80 dBA
Fréquence	
Erreur système et erreur d'instrument :	Une tonalité à une impulsion de 550 ms Élevée = 2637 Hz, faible = 440 Hz 550 ms
Fusion terminé :	Trois tonalités séquentielles 349,2 Hz, 392 Hz et 440 Hz Durée de 75 ms, 150 ms et 300 ms
Réactiver/Fusion incomplet :	Tonalités à trois impulsions Élevée = 2489 Hz, faible = 349,2 Hz Impulsions de 80 ms entrecoupées de pauses de 100 ms

Puissance d'entrée

Puissance maximale à la tension nominale du secteur : 110 W
Courant secteur (maximum) Inactif : 250 mA Fusion : 1 A
Plage de fréquence du secteur (nominale) : 50 à 60 Hz
Plage de tension secteur (nominale) : 100 à 240 V
Fusibles (2) : Type T5AH 250 V ou équivalent, 5 mm x 20 mm 5 A, 250 V, à action lente, capacité de rupture élevée
Entrée d'alimentation : CEI 60320 C14

Caractéristiques du cordon d'alimentation

Cette unité a été équipée en usine avec un cordon d'alimentation de qualité hospitalière de 110 VCA avec un connecteur secteur NEMA5-15. Lors du remplacement du cordon d'alimentation secteur pour correspondre à une autre configuration de connecteur secteur, la configuration du connecteur/câble/prise de remplacement doit satisfaire ou dépasser les caractéristiques suivantes :

100 à 120 VCA

Câble :	SJT 18/3, code couleur CEI, longueur maximale de 3 m (10 ft.)
Connecteur secteur :	Qualité hospitalière, répond aux exigences du pays local
Minimum :	10 A - 125 VCA
Prise de l'unité :	CEI 60320 C13, minimum 10 A - 125 VCA

220 à 240 VCA

Câble :	H05VVF3G1.0, longueur maximale de 3 m (10 ft.)
Connecteur secteur :	Qualité hospitalière, répond aux exigences du pays local
Minimum :	6 A - 250 VCA
Prise de l'unité :	CEI 60320 C13, minimum 6 A - 250 VCA

Caractéristiques techniques

Fréquence d'entrée

Le générateur CoolSeal™ fonctionne conformément aux caractéristiques techniques, à toutes les fréquences du secteur comprises entre 47 et 63 Hz. L'utilisateur n'a pas besoin de reconfigurer le générateur CoolSeal™ pour différentes fréquences du secteur.

Courant d'entrée

Le générateur CoolSeal™ ne consomme pas plus de 5 A à n'importe quelle tension du secteur.

Alimentation de secours

Le générateur CoolSeal™ conserve les données d'étalonnage et statistiques lorsqu'il est éteint et débranché. Le générateur CoolSeal™ fonctionne conformément aux caractéristiques techniques lorsqu'il est commuté sur une alimentation fournie par les systèmes de secours de l'hôpital.

Connexion équipotentielle

Un connecteur équipotentiel est fourni à l'arrière du générateur CoolSeal™ pour permettre la connexion d'un conducteur d'égalisation de potentiel si nécessaire.

Cycle de service

Dans des conditions de puissance maximale et de charge nominale, le générateur CoolSeal™ est capable de fonctionner selon un cycle de service de 25 %, défini comme 5 secondes de délivrance active de RF et 15 secondes d'inactivité.

Courant de fuite à basse fréquence (50/60 Hz)

Conforme à la norme CEI 60601-1, Ed. 3.1

Limites à basse fréquence :

Perte à la terre :	5 mA Conditions normales	10 mA Condition de défaut unique
Courant de contact :	100 µA Conditions normales	500 µA Condition de défaut unique
Fuite au patient : <i>(basé sur la partie appliquée de type CF)</i>	10 µA Conditions normales	50 µA Condition de défaut unique (courant continu ou alternatif)
Courant de fuite patient avec secteur sur la partie appliquée de type F : <i>(basé sur la partie appliquée de type CF)</i>		50 µA

Normes et classifications CEI

Le générateur CoolSeal™ répond à toutes les clauses pertinentes de la norme CEI 60601-1 Éd. 3.1, CEI 60601-1-2 Éd. 4.0 et CEI 60601-2-2 Éd. 6.0.

Pictogrammes

	Consulter le mode d'emploi		Entrée (secteur)
	Avertissement, électricité Pour réduire le risque de choc électrique, ne pas retirer le couvercle. Confier l'entretien à un personnel d'entretien qualifié.		Sortie (RF)
	Numéro de série		Veille, Alimentation
	Mandataire établi dans l'Union européenne		Limites de température
	Référence catalogue, n° de commande ou n° de référence		Limites d'humidité
	Dispositif médical		Limites de pression atmosphérique
	Fabricant		Garder au sec
	Date de fabrication		Classé relativement aux risques de choc électrique, d'incendie et mécaniques uniquement conformément aux normes CEI 60601-1 et CAN/CSA C22.2 N° 601.1.
	Le générateur est désigné pour une pièce appliquée de type CF		Conforme aux exigences de la FCC, partie 15.
	Équipotentialité		Réglage du volume pour les tonalités d'activation, augmentation du volume dans le sens des aiguilles d'une montre
	Fusible		L'équipement ne doit pas être éliminé avec les déchets ménagers

Classifications

Équipement de classe I (CEI 60601-1)

Les pièces conductrices accessibles ne peuvent pas être mises sous tension en cas de défaillance de l'isolation de base en raison de la manière dont elles sont connectées au conducteur de terre de protection.

Compatibilité électromagnétique (CEI 60601-1-2)

Ce dispositif est conforme à la partie 15 des règles de la FCC américaine. Le fonctionnement est soumis aux deux conditions suivantes :

- (1) Ce dispositif ne peut pas provoquer d'interférences nuisibles, et
- (2) Ce dispositif doit accepter toute interférence reçue, y compris les interférences qui peuvent provoquer un fonctionnement indésirable.

Équipement de type CF (CEI 60601-1)

Ce générateur fournit un haut degré de protection contre les chocs électriques, en particulier en ce qui concerne les courants de fuite admissibles. Il s'agit d'une sortie isolée (flottante) de type CF qui peut être utilisée pour les interventions impliquant le cœur.

Pénétration/déversement de liquide IP XX (CEI 60601-1 et CEI 60601-2-2)

Le générateur CoolSeal™ est construit de sorte que le déversement de liquide dans des conditions normales d'utilisation ne mouille pas l'isolation électrique ou d'autres composants qui, lorsqu'ils sont mouillés, sont susceptibles d'affecter la sécurité de l'équipement.

Transitoires de tension – Basculement du secteur à une alimentation de secours de la plate-forme d'énergie (CEI 60601-1 et CEI 60601-2-2)

Le générateur CoolSeal™ continue à fonctionner normalement sans erreur ni défaillance du système lors du passage de l'alimentation secteur à une source d'alimentation de secours. (CEI 60601-1-2)

Compatibilité électromagnétique (CEI 60601-1-2 et CEI 60601-2-2)

Le générateur CoolSeal™ est conforme aux spécifications appropriées des normes CEI 60601-1-2 et 60601-2-2 concernant la compatibilité électromagnétique.

Avertissement

L'utilisation de cet équipement à proximité ou au-dessus/au-dessous d'autres équipements doit être évitée, sous peine d'entraîner un fonctionnement incorrect. Si une telle utilisation est nécessaire, cet équipement et l'autre équipement doivent être observés pour vérifier qu'ils fonctionnent normalement.

Ne pas utiliser les équipements de communication RF portables (y compris les périphériques tels que les câbles d'antenne et les antennes externes) à moins de 30 cm (12 pouces) d'une partie quelconque du générateur CoolSeal™, y compris les câbles spécifiés par Bolder Surgical, sous peine de provoquer la dégradation des performances de cet équipement.

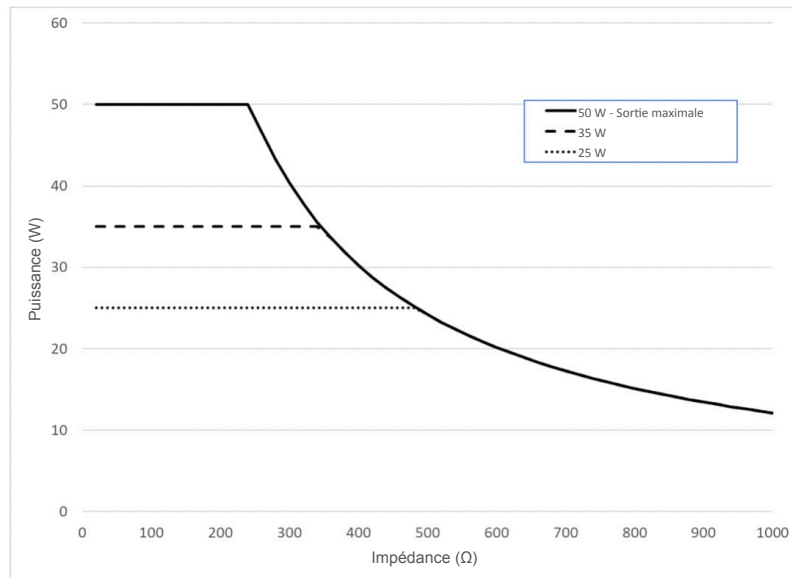
Caractéristiques de sortie

Sortie maximale pour le générateur CoolSeal™

Les lectures de puissance correspondent à la puissance réelle à la charge nominale à 20 % près ou à 5 watts près, la valeur la plus élevée étant retenue.

Tension de crête en circuit ouvert (max)	Charge nominale	Puissance de sortie nominale (max)	Facteur de crête	Cycle de service de la forme d'onde
190 V	20 Ω	50 W	1,9	100 %

Graphique de la puissance de sortie en fonction de l'impédance



Immunité électromagnétique

Directive et déclaration du fabricant – Émissions électromagnétiques

Le générateur CoolSeal™ est destiné à être utilisé dans l'environnement électromagnétique spécifié ci-dessous. Le client ou l'utilisateur du générateur CoolSeal™ doit s'assurer qu'il est utilisé dans un tel environnement.

Émissions RF CISPR 11	Groupe 2	Le générateur CoolSeal™ doit émettre de l'énergie électromagnétique afin d'exécuter sa fonction prévue. Les appareils électroniques à proximité peuvent être affectés. Le générateur CoolSeal™ convient à une utilisation dans tous les établissements qui ne sont pas des établissements domestiques et qui ne sont pas directement raccordés au réseau public d'alimentation électrique basse tension qui alimente les bâtiments utilisés à des fins domestiques.
Émissions conduites EN 55011:2009+A1:2010, CISPR 11:2009+A1:2010	Classe A	
Émissions rayonnées EN 55011:2009+A1:2010, CISPR 11:2009+A1:2010	Classe A	
Émissions harmoniques CEI/EN 61000-3-2:2014	Dispositif de classe A	
Fluctuations de tension/Papillotement CEI/EN 61000-3-3:2013	Conformément à la Clause 5 de la norme	

La sécurité de base conforme à la norme CEI 60601-1 est l'exigence de performance utilisée au cours des tests d'immunité. La performance essentielle ne s'applique pas.

Avis

Les caractéristiques d'ÉMISSION de cet équipement le rendent adapté à une utilisation dans les zones industrielles et les hôpitaux (CISPR 11 classe A). S'il est utilisé dans un environnement résidentiel (pour lequel la norme CISPR 11 classe B est normalement requise), cet équipement peut ne pas offrir une protection adéquate contre les services de communication par radiofréquence. L'utilisateur peut avoir besoin de prendre des mesures d'atténuation, telles que le déplacement ou la réorientation de l'équipement.

Directive et déclaration du fabricant – Immunité électromagnétique

Le générateur CoolSeal™ est destiné à être utilisé dans l'environnement électromagnétique spécifié ci-dessous. Le client ou l'utilisateur du générateur CoolSeal™ doit s'assurer qu'il est utilisé dans un tel environnement.

Test d'immunité	Niveau de test CEI 60601	± Niveau de conformité	Environnement électromagnétique – Directives
Décharges électrostatiques CEI/EN 61000-4-2	± 8 kV par contact ± 2, 4, 8 et 15 kV dans l'air	± 8 kV par contact ± 2, 4, 8 et 15 kV dans l'air	Les sols doivent être en bois, en béton ou en céramique. Si les sols sont recouverts d'un matériau synthétique, l'humidité relative doit être d'au moins 30 %.
Immunité contre les perturbations rayonnées CEI 61000-4-3:2006 + A1:2008 + A2:2010	80 MHz - 6 GHz 3 V/m 80 % à 1 kHz 28 V/m Fréquences caractéristiques 385 MHz - 2,7 GHz Modulation d'impulsions	80 MHz - 6 GHz 3 V/m 80 % à 1 kHz 28 V/m Fréquences caractéristiques 385 MHz - 2,7 GHz Modulation d'impulsions	Les appareils de communication RF portables et mobiles ne doivent pas être utilisés en deçà de la limite de distance de séparation recommandée calculée avec l'équation applicable à la fréquence de l'émetteur, relativement à toute partie du générateur CoolSeal™, y compris les câbles.
Champ de proximité de l'équipement de communication sans fil RF CEI 61000-4-3	Conformément au Tableau 9 de la norme CEI 60601-1-2	Consulter le tableau à la page suivante des plages de fréquences et des conditions de test pour les équipements de communication sans fil RF	Distance de séparation recommandée $d = [2]\sqrt{P}$ où P est la puissance nominale de sortie maximale de l'émetteur en watts (W) selon le fabricant de l'émetteur et d est la distance de séparation recommandée en mètres (m). Les intensités de champ des émetteurs RF fixes, telles que déterminées par un relevé des champs électromagnétiques du site ^a , doivent être inférieures au niveau de conformité dans chaque plage de fréquences ^b .
Immunité contre les perturbations conduites (Alimentation secteur) (Lignes entrée/sortie) CEI/EN 61000-4-6	0,15 - 80 MHz 3 Veff et 6 Veff dans les bandes ISM 1 kHz Secteur	0,15 - 80 MHz 3 Veff et 6 Veff dans les bandes ISM 1 kHz Secteur	Les bandes ISM (industrielles, scientifiques et médicales) entre 0,15 MHz et 80 MHz sont de 6,765 MHz à 6,795 MHz ; 13,553 MHz à 13,567 MHz ; 26,957 MHz à 27,283 MHz ; et 40,66 MHz à 40,70 MHz.
Transitoires électriques rapides (Alimentation secteur) CEI/EN 61000-4-4	± 2 kV - secteur ± 1 kV - lignes entrée/sortie 5/50 5 kHz et 100 kHz	± 2 kV - secteur ± 1 kV - lignes entrée/sortie 5/50 5 kHz et 100 kHz	La qualité de l'alimentation secteur doit être celle d'un environnement commercial ou hospitalier typique.
Surtension entre phases (Alimentation secteur) CEI/EN 61000-4-5	± 1 kV Entre phases Entre une phase et la terre	± 1 kV Entre phases Entre une phase et la terre	La qualité de l'alimentation secteur doit être celle d'un environnement commercial ou hospitalier typique.

Immunité contre les perturbations magnétiques CEI/EN 61000-4-8	30 A/m 50/60 Hz	30 A/m 50/60 Hz	Les champs magnétiques à la fréquence du réseau doivent correspondre aux niveaux caractéristiques de l'emplacement typique dans un environnement commercial ou hospitalier type.
Creux de tension et coupures CEI/EN 61000-4-11	0 % UT 0,5 cycle 0 % UT 1 cycle 70 % UT 25 cycles 0 % UT 5 s	0 % UT 0,5 cycle 0 % UT 1 cycle 70 % UT 25 cycles 0 % UT 5 s	Si l'utilisateur du générateur CoolSeal™ a besoin d'un fonctionnement continu pendant les interruptions de l'alimentation secteur, il est recommandé d'alimenter le générateur CoolSeal à l'aide d'un onduleur ou d'une batterie.

REMARQUE : Ces directives peuvent ne pas s'appliquer à toutes les situations. La propagation électromagnétique est affectée par l'absorption et la réflexion des structures, des objets et des personnes.

^aLes intensités de champ des émetteurs fixes, tels que les stations de base pour les téléphones radio (cellulaires/sans fil) et les radios mobiles terrestres, les radios amateurs, les radios AM et FM et la diffusion télévisuelle ne peuvent pas être prédites théoriquement avec précision. Pour évaluer l'environnement électromagnétique lié aux émetteurs RF fixes, un relevé des champs électromagnétiques du site doit être envisagée. Si l'intensité de champ mesurée à l'endroit où le générateur CoolSeal™ est utilisé dépasse le niveau de conformité RF applicable indiqué ci-dessus, il convient d'observer le générateur CoolSeal™ pour vérifier qu'il fonctionne normalement. Si des performances anormales sont observées, des mesures supplémentaires peuvent être nécessaires, telles que la réorientation ou le déplacement du générateur CoolSeal™.

^bDans la plage de fréquences de 150 kHz à 80 MHz, les intensités de champ doivent être inférieures à 3 V/m.

Directive et déclaration du fabricant – Immunité électromagnétique			
Plages de fréquences et conditions de test pour l'équipement de communication sans fil RF			
Bande de fréquence (MHz)	Fréquence de test (MHz)	Modulation^a	Niveau de conformité (V/m)
380 - 390	380 - 390	Impulsion – 18 Hz	27
430 - 470	450	FM écart de ± 5 kHz Sinusoïdale de 1 kHz	28
704 - 787	710	Impulsion – 217 Hz	9
	745		
	780		
800 - 960	810	Impulsion – 18 Hz	28
	870		
	930		
1700 - 1990	1720	Impulsion – 217 Hz	28
	1845		
	1970		
2400 - 2570	2450	Impulsion – 217 Hz	28
5100 - 5800	5240	Impulsion – 217 Hz	9
	5500		
	5785		

^aLa modulation d'impulsions est définie comme un signal d'entrée carré avec un cycle de service de 50 % à la fréquence indiquée.

REMARQUE : Ne pas utiliser les équipements de communication RF portables à moins de 30 cm (12 pouces) d'une partie quelconque du générateur CoolSeal™, y compris les câbles spécifiés par Bolder Surgical, sous peine de provoquer la dégradation des performances de ce matériel.

Distances de séparation recommandées entre les équipements de communication RF portables et mobiles et le générateur CoolSeal™

Le générateur CoolSeal™ est destiné à être utilisé dans un environnement électromagnétique dans lequel les perturbations RF rayonnées sont contrôlées. Le client ou l'utilisateur du générateur CoolSeal™ peut contribuer à prévenir les interférences électromagnétiques en maintenant une distance minimale entre les équipements de communication RF portables et mobiles (émetteurs) et le générateur CoolSeal™, comme recommandé ci-dessous, en fonction de la puissance de sortie maximale des équipements de communication.

Puissance nominale de sortie maximale de l'émetteur	Distance de séparation de l'émetteur $d = [2]\sqrt{P}$
0,01	0,20
0,1	0,63
1	2,00
10	6,32
100	20,00

Pour les émetteurs dont la puissance nominale de sortie maximale n'est pas indiquée ci-dessus, la distance de séparation recommandée d en mètres (m) peut être estimée à l'aide de l'équation applicable à la fréquence de l'émetteur, où P est la puissance nominale de sortie maximale de l'émetteur en watts (W) selon le fabricant de l'émetteur.

REMARQUE : Ces directives peuvent ne pas s'appliquer à toutes les situations. La propagation électromagnétique est affectée par l'absorption et la réflexion des structures, des objets et des personnes.

Annexe A – Test fonctionnel périodique

Le but du test est de confirmer le bon fonctionnement du générateur CoolSeal™. Il est recommandé d'effectuer ce test au moins tous les deux ans pour s'assurer qu'il fonctionne correctement au fil du temps. Se reporter à l'étiquette de date du test final pour connaître la date du dernier test fonctionnel de Bolder Surgical™. Ce test peut être réalisé plus fréquemment si les politiques de l'hôpital l'exigent.

Avertissement

Ne pas ouvrir le boîtier du générateur CoolSeal™. Il n'y a aucun élément réparable dans le boîtier. Des tests supplémentaires sont nécessaires pour confirmer que le fonctionnement en toute sécurité est maintenu une fois le boîtier ouvert. Ce test n'est disponible qu'au centre d'entretien de Bolder Surgical™. Le non-respect de cette consigne peut entraîner un risque accru de choc électrique.

Avis

Seules des personnes qualifiées doivent effectuer le test fonctionnel du générateur CoolSeal™.

Important

Un formulaire facultatif est fourni ci-dessous pour consigner les résultats du test fonctionnel périodique.

Avertissement

Ne pas tenter d'utiliser le câble de test fonctionnel à d'autres fins que les étapes décrites ici. Ne pas utiliser cliniquement.

Définitions :

UUT – Unité en cours de test

ESA – Analyseur de sécurité électrique

ESuA – Analyseur électrochirurgical

Équipement requis :

UUT - Générateur CoolSeal™ – CSL-200-50

ESA - Analyseur de sécurité électrique Fluke modèle ESA612 (ou l'équivalent)

ESuA - Analyseur électrochirurgical Fluke modèle QA-E SII, QA-ES III (ou l'équivalent)

Câble de test fonctionnel – CSL-FTC

Chronomètre

Critères de réussite/d'échec :

- Suivre les étapes décrites ci-dessous pour obtenir le résultat indiqué ; répéter si ce résultat n'est pas obtenu.
- Contacter Bolder Surgical pour organiser l'entretien afin de résoudre les défaillances ou anomalies.
- Ne pas tenter de réparer le générateur CoolSeal™.
- Toute tentative de réparation du générateur CoolSeal™ annulera la garantie du produit.

Procédure :

CONSIGNATION DES RÉSULTATS :

1. Il est possible de consigner les résultats des tests suivants sur un exemplaire du journal joint. Après chaque étape ci-dessous, consigner le résultat dans la section correspondante, comme indiqué par la mention **<RECORD RESULTS> (CONSIGNER LES RÉSULTATS)**. Collecter des valeurs numériques à l'endroit indiqué et entourer **S** pour Succès ou **E** pour Échec.

INSPECTION :

1. Inspecter l'unité pour détecter des dommages externes ou des composants manquants ; aucun dommage ou composant manquant ne doit être trouvé. **<RECORD RESULTS> (CONSIGNER LES RÉSULTATS)**
2. Inspecter le cordon d'alimentation pour vérifier qu'il n'est pas endommagé ; aucun dommage ne doit être trouvé. **<RECORD RESULTS> (CONSIGNER LES RÉSULTATS)**

TÉMOINS LUMINEUX ET INDICATEURS SONORES :

1. Mettre l'UUT sous tension et appuyer sur le bouton d'alimentation, le bouton d'alimentation doit s'allumer en VERT et une séquence de trois (3) tonalités doit être entendue. Un voyant du bouton d'alimentation ROUGE indique une défaillance de l'autotest de mise sous tension. **<RECORD RESULTS> (CONSIGNER LES RÉSULTATS)**
2. Insérer le câble de test fonctionnel dans la prise pour instrument, le voyant de la prise pour instrument doit s'allumer en blanc. **<RECORD RESULTS> (CONSIGNER LES RÉSULTATS)**
3. Couper l'alimentation de l'UUT. Appuyer sur le bouton d'activation et le maintenir enfoncé. Mettre l'unité sous tension tout en maintenant le bouton d'activation enfoncé. Le bouton d'alimentation s'allume en VERT et une séquence de trois (3) tonalités doit être entendue, suivie d'une deuxième tonalité, puis le voyant de la prise pour instrument clignote en ORANGE. **<RECORD RESULTS> (CONSIGNER LES RÉSULTATS)**
4. Retirer le câble de test fonctionnel et éteindre l'UUT puis la rallumer. Le bouton d'alimentation doit être VERT. Tout en appuyant sur le bouton d'activation du câble de test fonctionnel et en le maintenant enfoncé, insérer le câble de test fonctionnel dans la prise pour instrument. Une seule tonalité retentit, suivie du clignotement du voyant de la prise pour instrument en ORANGE. **<RECORD RESULTS> (CONSIGNER LES RÉSULTATS)**
5. Éteindre l'UUT puis la rallumer pour revenir à l'étape précédente. Mettre l'interrupteur du câble de test fonctionnel en position « ouverte », et appuyer sur le bouton d'activation et le maintenir enfoncé. Le voyant d'activation s'allume momentanément en FUCHSIA et la tonalité de fusion est émise, puis le voyant passe à l'ORANGE pendant environ 1 seconde et l'alerte de nouvelle saisie à 3 tonalités retentit. Cela peut ressembler à 4 tonalités. **<RECORD RESULTS> (CONSIGNER LES RÉSULTATS)**
6. Mettre l'interrupteur du câble de test fonctionnel en position « court-circuit ». Appuyer sur le bouton d'activation et le maintenir enfoncé, puis confirmer que le voyant d'activation est allumé en FUCHSIA et varie en intensité de l'état désactivé à l'intensité maximale avec la tonalité de fusion. Ceci sera suivi d'un voyant d'activation ORANGE et d'une alerte à 3 tonalités. **<RECORD RESULTS> (CONSIGNER LES RÉSULTATS)**
7. Avec l'interrupteur du câble de test fonctionnel toujours en position « court-circuit », se préparer à lancer le chronomètre entre la pression sur le bouton d'activation et l'apparition du voyant ORANGE. Appuyer sur le bouton d'activation et chronométrer la phase FUCHSIA (fusion). **<RECORD RESULTS> (CONSIGNER LES RÉSULTATS)**
8. Avec l'interrupteur du câble de test fonctionnel toujours en position « court-circuit », se préparer à tourner le bouton de volume pendant la phase FUCHSIA (fusion). Appuyer sur le bouton d'activation, tourner le bouton de volume à chaque extrême et confirmer un changement de volume entre les niveaux Minimum et Maximum. **<RECORD RESULTS> (CONSIGNER LES RÉSULTATS)**
9. Retirer le câble de test, éteindre et débrancher l'UUT.

TEST DE CONTINUITÉ DE LA TERRE :

1. Allumer l'ESA
2. Brancher le câble d'alimentation de l'UUT à l'ESA
3. Connecter le cordon de mesure à la prise V/ Ω /A de l'ESA pour mesurer la résistance (ohms - Ω).
4. Raccorder le cordon de mesure à la borne de terre/neutre de l'ESA.
5. S'assurer que l'ESA mesure la résistance (Ω)

6. Remettre l'ESA à zéro.
7. Fixer le cordon de mesure au connecteur équipotentiel de l'UUT.
8. Consigner la valeur de résistance observée dans le câble d'alimentation et l'UUT. **<RECORD RESULTS> (CONSIGNER LES RÉSULTATS)**
9. Déconnecter l'UUT de l'ESA, puis mettre l'ESA hors tension.

TEST DE PERTE À LA TERRE

1. Allumer l'ESA.
2. Brancher le câble d'alimentation de l'UUT à l'ESA.
3. Insérer le câble de test fonctionnel dans la prise pour instrument.
4. Régler le câble de test fonctionnel sur Normal, empiler les fiches banane ROUGE et NOIR
5. Insérer les fiches empilées dans le port RA/R (résistance) de l'ESA
6. À l'aide du réglage Microampère (μA) et TERRE, effectuer la série de tests suivante.
7. Normal/Fermé **<RECORD RESULTS> (CONSIGNER LES RÉSULTATS)**
8. Normal/Ouvert **<RECORD RESULTS> (CONSIGNER LES RÉSULTATS)**
9. Inversé/Ouvert **<RECORD RESULTS> (CONSIGNER LES RÉSULTATS)**
10. Inversé/Fermé **<RECORD RESULTS> (CONSIGNER LES RÉSULTATS)**
11. Retirer le câble de test fonctionnel et répéter la série de tests ci-dessus.
12. Normal/Fermé **<RECORD RESULTS> (CONSIGNER LES RÉSULTATS)**
13. Normal/Ouvert **<RECORD RESULTS> (CONSIGNER LES RÉSULTATS)**
14. Inversé/Ouvert **<RECORD RESULTS> (CONSIGNER LES RÉSULTATS)**
15. Inversé/Fermé **<RECORD RESULTS> (CONSIGNER LES RÉSULTATS)**
16. Déconnecter l'UUT de l'ESA, puis mettre l'ESA hors tension.

TESTEUR D'IMPÉDANCE

1. Allumer l'ESuA
2. Allumer l'UUT
3. Régler le commutateur du câble de test fonctionnel sur Normal
4. Brancher les fiches des câbles de test fonctionnel ROUGE et NOIR dans les prises correspondantes de CHARGE VAR. de l'ESuA.
5. Insérer le câble de test fonctionnel dans l'UUT
6. Confirmer que le bouton d'alimentation est VERT et que le voyant de la prise pour instrument est BLANC avant de continuer.

Important

Le générateur CoolSeal™ teste une gamme de puissances de sortie. La première activation est à une puissance de sortie de 25 watts, la deuxième activation est à une puissance de sortie de 35 watts et la troisième activation est à une puissance de sortie de 50 watts. La quatrième activation recommence cette séquence. Pour redémarrer la séquence à partir d'un point de départ connu, il suffit de débrancher le câble de test fonctionnel et de le réinsérer.

Important

Lors de l'utilisation du câble de test fonctionnel, le générateur CoolSeal™ met l'unité en état de défaillance si la charge résistive change de manière significative. Il est peu probable que cela se produise pendant le test fonctionnel, mais si cela devait se produire, il suffit d'éteindre et de rallumer l'unité pour la réinitialiser.

-
7. Régler la charge de l'ESuA sur 25 ohms.
 8. Démarrer le test sur l'ESuA.
 9. Appuyer sur le bouton d'activation et le maintenir enfoncé.
 10. À 25 ohms, observer la mesure de puissance maximale à 25 watts. **<RECORD RESULTS> (CONSIGNER LES RÉSULTATS)**
 11. Appuyer sur le bouton d'activation et le maintenir enfoncé.
 12. À 25 ohms, observer la mesure de puissance maximale à 35 watts. **<RECORD RESULTS> (CONSIGNER LES RÉSULTATS)**
 13. Appuyer sur le bouton d'activation et le maintenir enfoncé.
 14. À 25 ohms, observer la mesure de puissance maximale à 50 watts. **<RECORD RESULTS> (CONSIGNER LES RÉSULTATS)**
 15. Arrêter le test sur l'ESuA.
 16. Régler la charge de l'ESuA sur 50 ohms
 17. Démarrer le test sur l'ESuA.
 18. Appuyer sur le bouton d'activation et le maintenir enfoncé.
 19. À 50 ohms, observer la mesure de puissance maximale à 25 watts. **<RECORD RESULTS> (CONSIGNER LES RÉSULTATS)**
 20. Appuyer sur le bouton d'activation et le maintenir enfoncé.
 21. À 50 ohms, observer la mesure de puissance maximale à 35 watts. **<RECORD RESULTS> (CONSIGNER LES RÉSULTATS)**
 22. Appuyer sur le bouton d'activation et le maintenir enfoncé.
 23. À 50 ohms, observer la mesure de puissance maximale à 50 watts. **<RECORD RESULTS> (CONSIGNER LES RÉSULTATS)**
 24. Arrêter le test sur l'ESuA.
 25. Régler la charge de l'ESuA sur 225 ohms
 26. Démarrer le test sur l'ESuA.
 27. Appuyer sur le bouton d'activation et le maintenir enfoncé.
 28. À 225 ohms, observer la mesure de puissance maximale à 25 watts. **<RECORD RESULTS> (CONSIGNER LES RÉSULTATS)**
 29. Appuyer sur le bouton d'activation et le maintenir enfoncé.
 30. À 225 ohms, observer la mesure de puissance maximale à 35 watts. **<RECORD RESULTS> (CONSIGNER LES RÉSULTATS)**
 31. Appuyer sur le bouton d'activation et le maintenir enfoncé.
 32. À 225 ohms, observer la mesure de puissance maximale à 50 watts. **<RECORD RESULTS> (CONSIGNER LES RÉSULTATS)**
 33. Arrêter le test sur l'ESuA.
 34. Mettre tout le système hors tension et déconnecter l'UUT de l'équipement de test.

Formulaire récapitulatif des tests fonctionnels périodiques

Formulaire récapitulatif du test fonctionnel périodique Page 1/2

N° de série du générateur : _____

Étape	TEST	EXIGENCE	Consigner les valeurs	Entourer Succès/Échec
Inspection				
1	Inspection de l'extérieur de l'unité	Aucun dommage		S / E
2	Cordon d'alimentation	Aucun dommage		S / E
Témoins lumineux et indicateurs sonores				
1	Démarrage normal	Bouton d'alimentation VERT et 3 tonalités		S / E
2	Insertion normale de l'instrument	Voyant de prise blanc		S / E
3	Bouton bloqué pendant la mise sous tension	1) Bouton d'alimentation VERT et 3 tonalités 2) 1 tonalité puis prise ORANGE clignotant		S / E
4	Bouton bloqué après la mise sous tension	1 tonalité puis prise ORANGE clignotant		S / E
5	Test en circuit ouvert	1) Voyant FUCHSIA bref avec tonalité 2) Voyant ORANGE avec alerte à 3 tonalités		S / E
6	Test en court-circuit	1) Voyant FUCHSIA pendant 4 secondes avec tonalité 2) Voyant ORANGE avec alerte à 3 tonalités		S / E
7	Chronométrage du fusion	Voyant FUCHSIA variable pendant environ 4 secondes	_____ s	S / E
8	Test de volume	Le volume change entre Min. et Max. niveaux		S / E

Nom du testeur

Signature

Date

Formulaire récapitulatif du test fonctionnel périodique Page 2/2

N° de série du générateur : _____

Étape	TEST	EXIGENCE	Consigner les valeurs	Entourer Succès/Échec
Test de continuité de la terre				
8	Valeur de continuité de la terre	< 0,200 ohm	_____ ohm	S / E
Test de perte à la terre				
7	Normal/Fermé avec câble	< 0,500 μ A	_____ μ A	S / E
8	Normal/Ouvert avec câble		_____ μ A	S / E
9	Inversé/Ouvert avec câble		_____ μ A	S / E
10	Inversé/Fermé avec câble		_____ μ A	S / E
12	Normal/Fermé sans câble		_____ μ A	S / E
13	Normal/Ouvert sans câble		_____ μ A	S / E
14	Inversé/Ouvert sans câble		_____ μ A	S / E
15	Inversé/Fermé sans câble		_____ μ A	S / E
Impédance				
10	Impédance de 25 Ω /Puissance de 25 W	20 W – 30 W	_____ W	S / E
12	Impédance de 25 Ω /Puissance de 35 W	28 W – 42 W	_____ W	S / E
14	Impédance de 25 Ω /Puissance de 50 W	40 W – 60 W	_____ W	S / E
19	Impédance de 50 Ω /Puissance de 25 W	20 W – 30 W	_____ W	S / E
21	Impédance de 50 Ω /Puissance de 35 W	28 W – 42 W	_____ W	S / E
23	Impédance de 50 Ω /Puissance de 50 W	40 W – 60 W	_____ W	S / E
28	Impédance de 225 Ω /Puissance de 25 W	20 W – 30 W	_____ W	S / E
30	Impédance de 225 Ω /Puissance de 35 W	28 W – 42 W	_____ W	S / E
32	Impédance de 225 Ω /Puissance de 50 W	40 W – 60 W	_____ W	S / E

Nom du testeur

Signature

Date

Garantie

Bolder Surgical garantit que chaque produit fabriqué par ses soins est exempt de défauts matériels et de fabrication dans des conditions normales d'utilisation et d'entretien pour la ou les période(s) énoncées ci-dessous. La seule obligation de Bolder Surgical et le recours exclusif du client pour toute violation de la présente garantie se limitent à la réparation ou au remplacement, à la seule discrétion de Bolder Surgical, de tout produit, ou d'une partie de celui-ci, qui lui a été retourné ou retourné à son Distributeur dans le délai applicable indiqué ci-dessous après la livraison du produit à le client d'origine, et dont l'examen démontre, selon l'avis de Bolder Surgical, que le produit est défectueux. Cette garantie ne couvre aucun produit, ou partie de celui-ci, réparé ou modifié par quiconque autre que Bolder Surgical ou ses représentants autorisés, ou qui a fait l'objet d'une mauvaise utilisation, d'une négligence ou d'un sinistre. Les périodes de garantie pour les produits Bolder Surgical sont les suivantes :

Type de produit	Période de garantie (à compter de la date d'expédition par Bolder Surgical)
Générateur CoolSeal™	1 an à compter de la date d'expédition

À L'EXCEPTION DES GARANTIES LIMITÉES CI-DESSUS, BOLDER SURGICAL, DANS LA MESURE PERMISE PAR LA LOI APPLICABLE, DÉCLINE EXPRESSÉMENT TOUTE AUTRE GARANTIE, EXPRESSE, IMPLICITE OU STATUTAIRE, Y COMPRIS, MAIS SANS S'Y LIMITER, LES GARANTIES IMPLICITES DE QUALITÉ MARCHANDE ET DE NON-VIOLATION.

NONOBTANT TOUTE AUTRE DISPOSITION DES PRÉSENTES OU DE TOUT AUTRE DOCUMENT OU COMMUNICATION CONTRAIRE, BOLDER SURGICAL NE SERA EN AUCUN CAS RESPONSABLE DE LA PERTE DE BÉNÉFICES OU DE REVENUS, DE LA PERTE DE PRODUIT, DE LA PERTE D'UTILISATION DES PRODUITS, DE L'INTERRUPTION DES ACTIVITÉS OU DE TOUT DOMMAGE SPÉCIAL, CONSÉCUTIF, ACCESSOIRE, INDIRECT, PUNITIF OU EXEMPLAIRE. LA RESPONSABILITÉ TOTALE DE BOLDER SURGICAL POUR TOUTES LES RÉCLAMATIONS DÉCOULANT DU PRÉSENT ACCORD OU EN RAPPORT AVEC CELUI-CI ET TOUT PRODUIT SERA LIMITÉE AUX DOMMAGES-INTÉRÊTS PÉCUNIAIRES GÉNÉRAUX D'UN MONTANT NE DÉPASSANT PAS LE PRIX D'ACHAT TOTAL DU PRODUIT DONNANT LIEU À LA RÉCLAMATION. Ces limitations et exclusions s'appliqueront indépendamment du fait qu'une réclamation soit basée sur un contrat, une garantie, une indemnité, une responsabilité extracontractuelle délictuelle (y compris la négligence), une responsabilité stricte ou autre. Bolder Surgical n'assume ni n'autorise aucune autre partie à assumer pour elle aucune autre responsabilité en lien avec la vente ou l'utilisation de l'un des produits de Bolder Surgical.

La présente garantie, ainsi que les droits et obligations qui en découlent, seront interprétés et régis par les lois de l'État du Colorado, États-Unis. Toute poursuite ou action en justice découlant directement ou indirectement de la présente garantie sera portée exclusivement devant les tribunaux d'État ou fédéraux situés à Boulder ou Denver, Colorado, États-Unis, et par les présentes, le client renonce à tout droit de s'opposer à la juridiction desdits tribunaux. Bolder Surgical, ses revendeurs et ses représentants se réservent le droit de modifier ou de repenser leurs produits sans aucune obligation de modifier ou de remplacer les produits précédemment fabriqués et/ou vendus par eux.

Efnisyfirlit

Formáli	270
Búnaður sem um er fjallað í þessari handbók	270
Upplýsingar um einkaleyfi	270
Staðfestingar á vörumerki	270
Framleiðandi:.....	270
Frekari upplýsingar	270
Táknun sem notuð er í þessari handbók.....	270
1. kafli Yfirlit og almennir eiginleikar	271
Kynning.....	271
Ábending fyrir notkun.....	271
Frábendingar fyrir notkun.....	271
Framhlið.....	272
Afturhlið	272
Séð að neðan	273
Listi yfir aukabúnað	273
Samhæf áhöld fyrir æðadeili.....	273
2. kafli Öryggi fyrir sjúkling og á skurðstofu.....	274
Viðvörðunar- og varúðarorð	274
Yfirlit.....	274
Öryggi varðandi uppsetningu rafals.....	274
Rafsegulviðssamhæfi	275
Brunahætta við uppskurð á munni og koki.....	275
Gangráðar og ICD	275
Tenging á CoolSeal™ áhaldi	276
Hreinsun á CoolSeal™ rafall	276
Viðhald á CoolSeal™ rafall.....	276
3. kafli Uppsetning og notkun CoolSeal™ rafall.....	277
Að taka CoolSeal™ rafall úr umbúðum	277
Skoðun á CoolSeal™ rafall	277
Öryggisatriði varðandi uppsetningu.....	277
Uppsetning á CoolSeal™ rafall.....	278
Magnstilling	279

Tenging á CoolSeal™ áhaldi.....	279
Tenging á CoolSeal™ áhaldi við CoolSeal™ rafall	279
Virkjun á CoolSeal™ áhaldi	279
Lýsing á viðvörunaraðstæðum.....	280
4. kafli Eftir skurðaðgerð	283
Að slökkva á CoolSeal™ rafall.....	283
Undirbúningur á CoolSeal™ rafall til endurnotkunar.....	283
5. kafli Bilanaleit	284
Almenn viðmið varðandi bilanaleit	284
Leiðrétting á bilunum.....	284
Óeðlileg viðbrögð sjúklings:.....	284
CoolSeal™ rafalsbilanir:.....	284
Möguleg víxlverkun við önnur tæki:.....	286
6. kafli Reglubundin prófun á virkni, viðhald og þjónusta	287
Ábyrgð framleiðanda.....	287
Reglubundin prófun á virkni og viðhald	287
Hvenær ætti reglubundin prófun á virkni að fara fram?	287
Hvenær þarf að skipta um rafmagnssnúru?	287
Hvenær ætti að skipta um öryggi?	287
Hvernig er skipt um öryggi?.....	287
Vöruþjónusta	288
Skil á CoolSeal™ rafall vegna þjónustu.....	288
Hugbúnaðaruppfærslur.....	288
7. kafli Tæknilýsingar	289
Frammistöðueiginleikar.....	289
Almennt	289
Mál og þyngd	289
Notkunarbreitur	289
Flutningur og geymsla.....	289
Innra minni.....	289
Virkjunarhljóð.....	290
Viðvörunarhljóð.....	290
Inntaksafi	290
Tæknilýsing fyrir rafmagnssnúru.....	290

Tæknilýsingar	291
Inntakstíðni.....	291
Inntaksstraumur	291
Varaafli	291
Spennujöfnun	291
Vinnuferli.....	291
Lágtíðni (50/60 Hz) lekastraumur.....	291
Staðlar og IEC-flokkar.....	291
Tákn	292
Flokkar	293
Búnaður í flokki I (IEC 60601-1)	293
Rafsegulsviðssamhæfi (IEC 60601-1-2)	293
Búnaður af tegund CF (IEC 60601-1).....	293
IP XX vökvaaðgangur/-leki (IEC 60601-1 og IEC 60601-2-2).....	293
Skammtímaspenna – Energy Platform Mains Transfer (IEC60601-1 og IEC 60601-2-2)	293
Rafsegulsviðssamhæfi (IEC 60601-1-2 og IEC60601-2-2)	293
Eiginleikar úttaks	293
Hámarksúttak fyrir CoolSeal™ rafall	293
Rafsegulónæmi.....	294
Viðauki A – Reglubundin prófun á virkni	298
Skilgreiningar:	298
Nauðsynlegur búnaður:	298
Viðmið fyrir tókst/mistókst:.....	298
Verklag:	299
Yfirlitseyðublað fyrir reglubundna prófun á virkni.....	302
Ábyrgð	304

Formáli

Þessi handbók og búnaðurinn sem hann lýsir eru eingöngu til notkunar af hæfum heilbrigðisstarfsmönnum sem eru þjálfaðir í tiltekinni tækni og skurðaðgerð. Hann er aðeins ætlaður til leiðbeiningar fyrir notkun á CoolSeal™ rafall.

Búnaður sem um er fjallað í þessari handbók

CoolSeal™ rafall – CSL-200-50

Upplýsingar um einkaleyfi

<https://BolderSurgical.com/patents/>

Staðfestingar á vörumerki

CoolSeal™ rafall

Framleiðandi:



Bolder Surgical
331 S. 104th Street, Suite 200
Louisville, CO 80027 BNA
Framleitt í BNA
Sími: +1 866.683.1743
www.BolderSurgical.com

Heimilaðir fulltrúar:



Emergo Europe B.V.
Prinsessegracht 20
2514 AP The Hague
Holland

Frekari upplýsingar

+1 866.683.1743

Táknun sem notuð er í þessari handbók

Viðvörðun

Bendir til möguleikans á hættulegum aðstæðum sem, ef ekki er komist hjá því, gæti leitt til dauða eða alvarlegs líkamstjóns

Varúð

Bendir til möguleikans á hættulegum aðstæðum sem, ef ekki er komist hjá því, gæti leitt til minniháttar eða miðlungs líkamstjóns

Tilkynning

Bendir til hættu sem getur haft í för með sér vöruskemmdir.

Mikilvægt

Bendir til ábendingar varðandi notkun eða ráðleggingu varðandi viðhald.

1. kafli Yfirlit og almennir eiginleikar

Þessi hluti inniheldur eftirfarandi upplýsingar:

- Kynning
- Ábendingar fyrir notkun
- Frábendingar fyrir notkun
- Framhlið
- Afturhlið
- Séð að neðan
- Listi yfir aukabúnað
- Samhæf áhöld fyrir æðadeili

Varúð

Lestu öll viðvörunar- og varúðarorð sem og leiðbeiningar sem fylgja þessum rafall fyrir notkun. Sérstækar leiðbeiningar fyrir CoolSeal™ áhöld fylgja ekki þessari handbók. Kynntu þér leiðbeiningar fyrir CoolSeal™ áhöld til notkunar varðandi upplýsingar um viðvörunar-, varúðarorð og leiðbeiningar um notkun.

Alríkislög (BNA) takmarka sölu á þessu tæki af eða gegn beiðni læknis.

Kynning

CoolSeal™ rafall skapar radiótíðniorku (RF) við notkun fyrir æðadeili.

CoolSeal™ rafall greinir sjálfkrafa kóðuð áhöld og stillir CoolSeal™ rafall í samræmi við þau. Öryggis- og greiningaraðgerðir fela í sér sjálfvirkar bilunaröryggisaðgerðir.

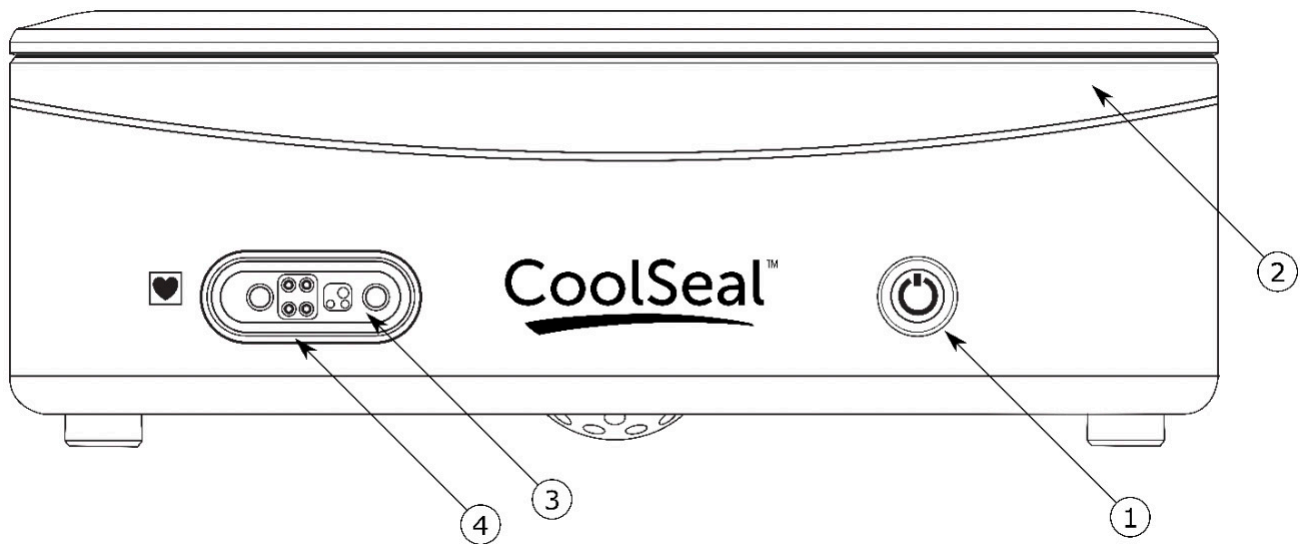
Ábending fyrir notkun

CoolSeal™ rafall er ætlað að veita radiótíðniorku (RF) í samhæf CoolSeal™ áhöld við notkun á æðadeili. Sérstæk notkun veitur á samhæfu tæki til skurðlækninga sem er tengt við rafalinn. Þessi rafall er hannaður aðeins til notkunar með tækjum til skurðlækninga sem samhæf eru CoolSeal™ tækninni.

Frábendingar fyrir notkun

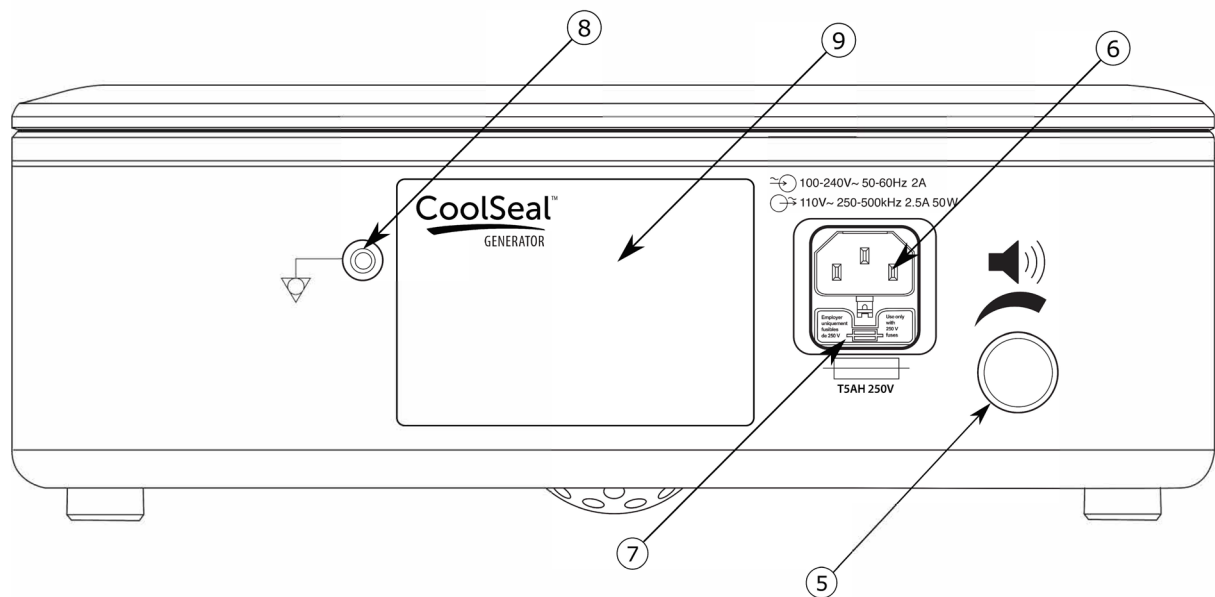
Ekkert þekkt sérstaklega fyrir CoolSeal™ rafall.

Framhlið



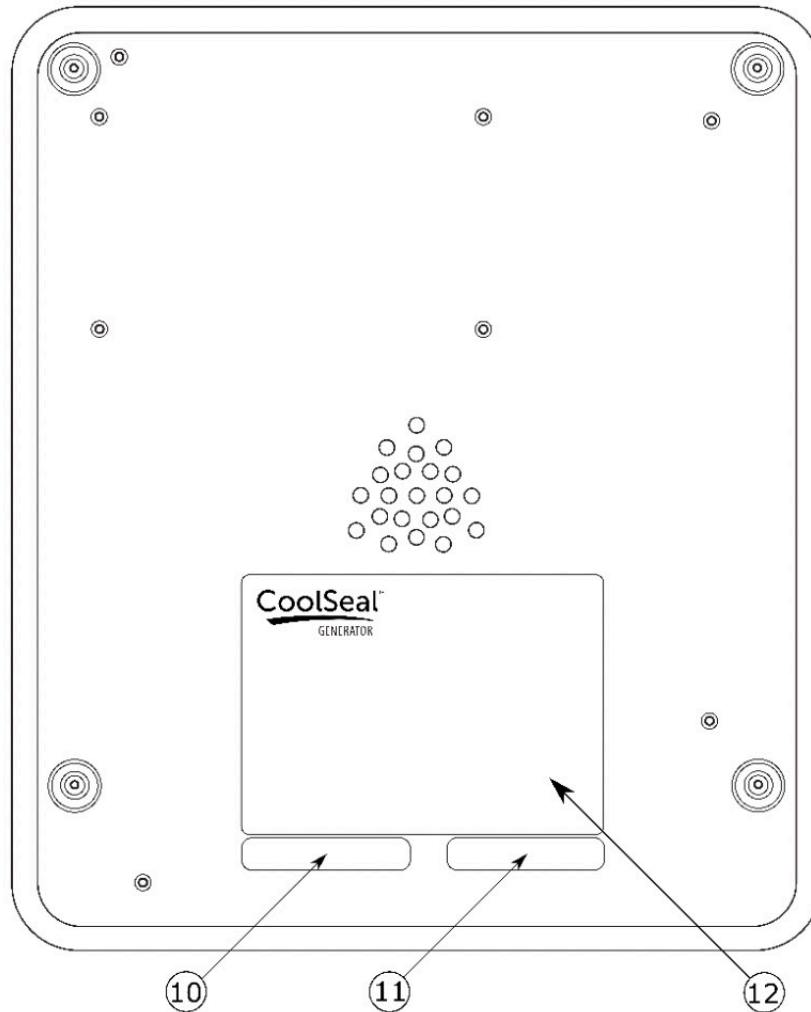
- (1) Upplýstur aflhnappur
- (2) Virkjunarskjár
- (3) Ílát fyrir CoolSeal™ áhald
- (4) Skjár fyrir ílát áhalds

Afturhlið



- (5) Stýring fyrir magnstillingu
- (6) Inntak rafmagnssnúru
- (7) Öryggiskassi
- (8) Spennujöfnun
- (9) Merki með öryggisviðvörðun og -varúð

Séð að neðan



- (10) Merki með endanlegri prófunardagsetningu
- (11) Merki fyrir hugbúnaðarútgáfu
- (12) Merki með framleiðsluupplýsingum

Listi yfir aukabúnað

Rafmagnssnúra - Fyrir BNA
CSL-FTC snúra fyrir virkniprófun (fylgir ekki)

Samhæf áhöld fyrir æðadeili

Samhæf CoolSeal™ áhöld eru með tengi sem samsvara eftirfarandi skýringarmynd.
Kynntu þér leiðbeiningar fyrir CoolSeal™ áhald varðandi notkun og samhæfi við CoolSeal™ tæknina.



2. kafli Öryggi fyrir sjúkling og á skurðstofu

Örugg og árangursrík notkun rafskurðlækninga veltur að miklu leyti á þáttum sem ráðast eingöngu af stjórnandanum. Ekkert kemur í stað skurðlækningateymis sem hefur hlotið viðeigandi þjálfun og er árvökult. Mikilvægt er að notkunarleiðbeiningarnar sem fylgja þessum eða öðrum tækjum til rafskurðlækninga séu lesnar, skilningur fáið á þeim og þeim sé fylgt. Rafskurðlækningar hafa verið notaðar á öruggan hátt í fjölmörgum aðgerðum. Áður en skurðaðgerð hefst ætti að þjálfra skurðlækningu í tiltekinni tækni og skurðaðgerð sem á að framkvæma, viðkomandi ætti að vera kunnugur læknisfræðilegum gögnum sem tengjast aðgerðinni og hugsanlegum fylgikvillum og ætti að þekkja áhættuna á móti ávinningnum af því að nota rafskurðlækningar í aðgerðinni.

Til að stuðla að öruggri notkun CoolSeal™ rafals kynnir þessi hluti viðvaranir og varúðarorð sem birtast í notkunarhandbókinni. Einnig er mikilvægt að lesa, skilja og fylgja notkunarleiðbeiningum CoolSeal™ áhaldsins.

Viðvörðunar- og varúðarorð

Yfirlit

Varúð
Lestu öll viðvörðunar- og varúðarorð sem og leiðbeiningar sem fylgja þessum rafal fyrir notkun. Sérstækar leiðbeiningar fyrir CoolSeal™ áhöld fylgja ekki þessari handbók. Kynntu þér leiðbeiningar fyrir CoolSeal™ áhöld til notkunar varðandi upplýsingar um viðvörðunar-, varúðarorð og leiðbeiningar um notkun.
Alríkislög (BNA) takmarka sölu á þessu tæki af eða gegn beiðni læknis.

Öryggi varðandi uppsetningu rafals

Viðvörðun
Hætta á raflosti: Tengdu rafmagnssnúru búnaðarins við rafmagnsinnstungu sem er með viðeigandi jarðtengingu. Ekki nota millistykki.
Brunahætta: Ekki nota framlengingarsnúrur eða búnað með mörgum innstungum.
Öryggisatriði varðandi sjúklinga: Notaðu aðeins CoolSeal™ rafal ef sjálfsprófun á ræsingu hefur verið lokið eins og lýst er í þessari handbók. Ef það er ekki gert geta röng aflafköst komið upp.
Þessi búnaður er eingöngu til notkunar af þjálfuðum læknum með leyfi. Notkun þessa búnaðar án slíkrar þjálfunar getur valdið alvarlegum meiðslum á sjúklingum.
CoolSeal™ rafal er aðeins samhæfur við CoolSeal™ áhöld. Ekki má nota nein önnur tvískautaáhöld.
Ekki vefja snúrur áhaldsins í kringum málmhluti. Slíkt getur skapað flökkustraum sem getur orsakað lost, bruna eða líkamstjón á sjúklingi eða skurðlækningateymi.
Hætta á raflosti: Ekki tengja tengi á blautu áhaldi við CoolSeal™ rafal. Tryggðu að öll áhöld og millistykki séu rétt tengd.
Skoðaðu snúru búnaður og leitaðu að merkjum um slit, sprungur og aðrar skemmdir fyrir hverja notkun. Ekki nota hana ef hún hefur orðið fyrir skemmdum. Skemmdar snúrur búnaðar geta orsakað líkamstjón eða raflost hjá sjúklingi eða skurðlækningateymi.

Varúð

Stilltu hljóðstyrk kerfis við styrk sem tryggir að virkjunarhljóð heyrir.

Ekki stilla virkjunarhljóð við styrk sem heyrir ekki. Virkjunarhljóðið lætur skurðlækningateymið vita að CoolSeal™ rafall sé að veita RF-orku.

Skoðaðu öll áhöld og tengi við búnaðinn fyrir notkun. Tryggðu að áhöld virki eins og þau eiga að gera. Röng tenging getur skapað ljósboga, neista, bilun búnaðar eða óæskileg skurðlækningaáhrif.

CoolSeal™ rafall sem virkar ekki getur truflað aðgerðina. Varabúnaður ætti að vera tiltækur til notkunar.

Notkun tækjatengla, t.d. rafmagnssnúra, annarra en þeirra sem tilgreind eru geta orsakað aukna losun eða skert ónæmi fyrir búnaðinum.

Veittu eins mikla fjarlægð og mögulegt er á milli CoolSeal™ rafals og annars rafeindabúnaðar eins og skjáa. Ekki setja rafmagnssnúru í kross eða í knippi. Þessi rafall getur valdið truflun fyrir annan rafeindabúnað. Settu búnaðinn á annan stað ef truflun á sér stað.

Rannsóknir hafa sýnt að reykur sem myndast við skurðaðgerðir getur verið skaðlegur sjúklingum og skurðlækningateymi. Þessar rannsóknir mæla með því að reykraesta með fullnægjandi hætti með reykútblásturskerfi eða á annan hátt.¹

1. U.S. Department of Health and Human Services. National Institute for Occupational Safety and Health (NIOSH). Control of Smoke from Laser/Electric Surgical Procedures. HAZARD CONTROLS, Publication No. 96-128, September 1996.

Rafsegulviðssamhæfi

Viðvörðun

Notkun á þessum búnaði við hliðina á eða með því að stafla á annan búnað ætti að forðast vegna þess að það gæti haft í för með sér ónákvæma virkni. Ef slíkt er nauðsynlegt skal fylgjast með þessum búnaði og öðrum búnaði til að staðfesta að hann virki rétt.

Færanlegan RF-fjarskiptabúnað ætti að nota ekki nær en 30 cm (12 tommur) frá neinum hluta CoolSeal™ rafals, þar á meðal snúrum frá Bolder Surgical. Ef það er gert kann skerðing á afköstum búnaðarins að eiga sér stað.

Brunahætta við uppskurð á munn og koki

Viðvörðun

Staðfesta skal að barkaslöngur leki ekki og að þéttir komi í veg fyrir að súrefni leki.

Gangráðar og ICD

Viðvörðun

EKKI NOTA fyrir sjúklinga sem eru með rafræna ígræðslu eins og hjartagangráð án þess að hafa fyrst ráðfært sig við hæfan fagaðila (t.d. hjartalækni). Möguleg hætta er fyrir hendi því truflun við virkni fyrir rafrænt ígræði kann að eiga sér stað eða ígræðið getur orðið fyrir skemmdum.

Tenging á CoolSeal™ áhaldi

Viðvörðun

Hætta á raflosti

- Ekki tengja blaut áhöld við CoolSeal™ rafall
- Tryggðu að öll áhöld séu rétt tengd og að enginn málmur komist í snertingu við tengistaði

Settu áhaldið rétt í ílátið. Röng tenging getur orsakað virkjun áhalds fyrir slysnis eða aðrar mögulegar hættulegar aðstæður. Fylgdu leiðbeiningunum sem fylgja CoolSeal™ áhöldum fyrir æðadeili.

Ílát áhaldsins í þessum búnaði er hannað aðeins til að taka við einu áhaldi í einu. Ekki reyna að tengja fleiri en eitt áhald í einu í tiltekið ílát. Ef slíkt er gert virkjast áhöldin strax.

Varúð

Leitaðu að sliti, sprungum og öðrum skemmdum á áhöldum og snúrum fyrir hverja notkun. Ekki nota hana ef hún hefur orðið fyrir skemmdum. Skemmdar snúror eða áhöld búnaðar geta orsakað líkamstjón eða raflost hjá sjúklingi eða skurðlækningateymi.

Hreinsun á CoolSeal™ rafall

Viðvörðun

Hætta á raflosti

Slökktu alltaf á og taktu CoolSeal™ rafall úr sambandi fyrir hreinsun.

Viðhald á CoolSeal™ rafall

Viðvörðun

Hætta á raflosti

Ekki fjarlægja hlíf CoolSeal™ rafals.

Ekki reyna að sinna þjónustu á CoolSeal™ rafals. Öll þjónusta og viðgerðir verða að fara fram af Bolder Surgical™ tækniáðila.

Varúð

CoolSeal™ rafall má ekki farga við lok endingartíma með öðrum úrgangi. Til að endurvinnna úrgangsbúnað skal leita eftir leiðbeiningum frá Bolder Surgical (hringja í +1 866.683.1743) eða hafa samband við sölufulltrúa á staðnum til að ræða lausnir og vinnslu á því sviði á staðnum. CoolSeal™ rafallinn býr yfir förgunarhættu sem er álíka og rafeindabúnaður á borð við tölvur. Engin geislavirk efni, rafhlöður eða hættulegir vökvar geta lekið í CoolSeal™ rafall.

3. kafli Uppsetning og notkun CoolSeal™ rafall

Í þessum kafla er fjallað um eftirfarandi atriði:

- Að taka CoolSeal™ rafall úr umbúðum
- Skoðun á CoolSeal™ rafall
- Öryggisatriði varðandi uppsetningu
- Uppsetning á CoolSeal™ rafall
- Stilling á hljóðstyrk virkjunarhljóðs
- Tenging á CoolSeal™ áhaldi
- Virkjun á CoolSeal™ áhalinstrument
- Lýsing á viðvörunaraðstæðum

Varúð

Lestu öll viðvörunar- og varúðarorð sem og leiðbeiningar sem fylgja þessum rafall fyrir notkun. Sérstakar leiðbeiningar fyrir CoolSeal™ áhöld fylgja ekki þessari handbók. Kynntu þér leiðbeiningar fyrir CoolSeal™ áhöld til notkunar varðandi upplýsingar um viðvörunar-, varúðarorð og leiðbeiningar um notkun.

Að taka CoolSeal™ rafall úr umbúðum

1. Taka CoolSeal™ rafall úr kassa og umbúðaefni.
2. Leitið að sýnilegum skemmdum á tækinu.

Skoðun á CoolSeal™ rafall

Fyrir hverja notkun á CoolSeal™ rafals skal staðfesta að einingin og allur aukabúnaður virki:

- Leitaðu að skemmdum á rafalnum og öllum tengjum hans.
- Leitaðu að merkjum um slit, skemmdir og núning á öllum snúrum og tengjum.
- Staðfestu að engin bilun eigi sér stað þegar þú kveikir á einingunni.

Öryggisatriði varðandi uppsetningu

Viðvörun

Hætta á raflosti: Tengdu rafmagnssnúru búnaðarins við rafmagnsinnstungu sem er með viðeigandi jarðtengingu. Ekki nota millistykki.

Brunahætta: Ekki nota framlengingarsnúrur eða búnað með mörgum innstungum.

Öryggisatriði varðandi sjúklinga: Notaðu aðeins CoolSeal™ rafall ef sjálfspöfun á ræsingu hefur verið lokið eins og lýst er í þessari handbók. Ef það er ekki gert geta röng aflafköst komið upp.

Þessi búnaður er eingöngu til notkunar af þjálfuðum læknum með leyfi. Notkun þessa búnaðar án slíkrar þjálfunar getur valdið alvarlegum meiðslum á sjúklingum.

CoolSeal™ rafall er aðeins samhæfur við CoolSeal™ áhöld. Ekki má nota nein önnur tvískautaáhöld.

Ekki vefja snúrur áhaldsins í kringum málmhluti. Slíkt getur skapað flökkustraum sem getur orsakað lost, bruna eða líkamstjón á sjúklingi eða skurðlækningateymi.

Hætta á raflosti: Ekki tengja tengi á blautu áhaldi við CoolSeal™ rafall. Tryggðu að öll áhöld og millistykki séu rétt tengd.

Skoðaðu snúru búnaður og leitaðu að merkjum um slit, sprungur og aðrar skemmdir fyrir hverja notkun. Ekki nota hana ef hún hefur orðið fyrir skemmdum. Skemmdar snúrur búnaðar geta orsakað líkamstjón eða raflost hjá sjúklingi eða skurðlækningateymi.

Varúð

Stilltu Hljóðstyrk kerfis við styrk sem tryggir að virkjunarhljóð heyrir.

Ekki stilla virkjunarhljóð við styrk sem heyrir ekki. Virkjunarhljóðið lætur skurðlækningateymið vita að CoolSeal™ rafall sé að veita RF-orku.

Skoðaðu öll áhöld og tengi við búnaðinn fyrir notkun. Tryggðu að áhöld virki eins og þau eiga að gera. Röng tenging getur skapað ljósboga, neista, bilun búnaðar eða óæskileg skurðlækningaáhrif.

CoolSeal™ rafall sem virkar ekki getur truflað aðgerðina. Varabúnaður ætti að vera tiltækur til notkunar.

Notkun tækjatengla, t.d. rafmagnssnúra, annarra en þeirra sem tilgreind eru geta orsakað aukna losun eða skert ónæmi fyrir búnaðinum.

Veittu eins mikla fjarlægð og mögulegt er á milli CoolSeal™ rafals og annars rafeindabúnaðar eins og skjáa. Ekki setja rafmagnssnúru í kross eða í knippi. Þessi rafall getur valdið truflun fyrir annan rafeindabúnað. Settu búnaðinn á annan stað ef truflun á sér stað.

Rannsóknir hafa sýnt að reykur sem myndast við skurðaðgerðir getur verið skaðlegur sjúklingum og skurðlækningateymi. Þessar rannsóknir mæla með því að reykkræsta með fullnægjandi hætti með reykútblásturskerfi eða á annan hátt.¹

1. U.S. Department of Health and Human Services. National Institute for Occupational Safety and Health (NIOSH). Control of Smoke from Laser/Electric Surgical Procedures. HAZARD CONTROLS, Publication No. 96-128, September 1996.

Uppsetning á CoolSeal™ rafall

1. Settu CoolSeal™ rafall á sléttan og stöðugan flöt eins og borð, pall, bómkerfi eða körfu. Mælt er með körfum sem eru með einangrandi hjól. Kynntu þér verklag hjá stofnun á staðnum eða reglur á staðnum.
2. Ef stofnun eða reglur á staðnum kveða á um skal tengja spennujöfnun við jörð.
3. Tengdu rafmagnssnúru búnaðarins við rafmagnsinnstungu á afturhlíðinni.
4. Tengdu rafmagnssnúru búnaðarins við rafmagnsinnstungu í vegg með jarðtengingu.

Tilkynning

Ekki tengja CoolSeal™ rafall við framlengingarsnúru.

Ekki staðsetja tækið þannig að erfitt sé að taka rafmagnssnúruna úr sambandi.

Mikilvægt

Ef flutningur eða geymsla fer fram sem er fyrir utan sviðs ganghita skal hinkra í eina klukkustund á meðan CoolSeal™ rafall nær ganghita og notkun hefst.

Kveiktu á búnaðinum með því að þrýsta á aflhnappinn () framan á einingunni. Fylgdu eftirfarandi við sjálfspöfun við ræsingu:

- Eining framkvæmir sjálfspöfun við ræsingu.
- Aflhnappurinn logar grænn.
- Viðvörðun hljómar með þremur (3) ½ sekúnda tónum eftir að sjálfspöfun er lokið.

Tilkynning

Staðfestu að búnaðurinn hafi lokið sjálfspöfun við ræsingu áður en áhöld eru tengd.

Ef eining klárar ekki sjálfspöfun við ræsingu:

- Aflhnappur logar ekki eða logar rauður
- Viðvörðun hljómar með einum (1) ½ sekúnda tóni eftir sjálfspöfun sem tekst ekki

Kynntu þér hlutana Viðvörðunaraðstæður eða Bilanaleit með frekari upplýsingum

Magnstilling

Hljóðstyrk viðvörunar og virkjunar má stilla með því að snúa hnappi hljóðstyrks á afturhlið CoolSeal™ rafals.

Tilkynning

Lágmarkshljóðstyrkur fyrir viðvörunarhljóð verður ávallt hærri en virkjunarhljóðið.

Tenging á CoolSeal™ áhaldi

Viðvörun

Hætta á raflosti

- Ekki tengja blaut áhöld við CoolSeal™ rafall.
- Tryggðu að öll áhöld séu rétt tengd og að enginn málmur komist í snertingu við tengistaði.

Settu áhaldið rétt í ílátið. Röng tenging getur orsakað virkjun áhalds fyrir slysi eða aðrar mögulegar hættulegar aðstæður. Fylgdu leiðbeiningunum sem fylgja CoolSeal™ áhöldum varðandi rétta tengingu og notkun.

Ílát áhaldsins í þessum búnaði er hannað aðeins til að taka við einu áhaldi í einu. Ekki reyna að tengja fleiri en eitt áhald í einu í tiltekið ílát. Ef slíkt er gert virkjast áhöldin strax.

Varúð

Leitaðu að sliti, sprungum og öðrum skemmdum á áhöldum og snúrum fyrir hverja notkun. Ekki nota hana ef hún hefur orðið fyrir skemmdum. Skemmdar snúror eða áhöld búnaðar geta orsakað líkamstjón eða raflost hjá sjúklingi eða skurðlækningateymi.

Tenging á CoolSeal™ áhaldi við CoolSeal™ rafall

1. Tengdu CoolSeal™ áhald við ílát áhalds á framhlið CoolSeal™ rafals.
2. Staðfestu viðeigandi staðsetningu og tengingu með því að sjá grænan skjá fyrir ílát áhalds sem logar.

Ef CoolSeal™ rafall staðfestir ekki áfest áhald, logar skjár fyrir ílát áhalds rauður og eitt viðvörunarhljóð heyrir. Kynntu þér hlutana Viðvörunaraðstæður eða Bilanaleit.

Virkjun á CoolSeal™ áhaldi

1. Virkjaðu CoolSeal™ áhaldið í samræmi við notkunarleiðbeiningar áhaldsins.
2. Fylgdu eftirfarandi við virkjun áhalds:
 - Virkjunarskjárinn logar blár og er breytilegur að birtustigi á meðan orkuafhending á sér stað.
 - Virkjunarhljóð hljómar stöðugt á meðan orkuafhending fer fram.
3. Þegar þéttiferli er lokið skal fylgja eftirfarandi:
 - Þriggja tóna hljóð heyrir þegar þéttingu er lokið. Síðan ætti að sleppa virkjunarhnappinum.
 - Virkjunarskjárinn á framhlið CoolSeal™ rafals mun í stutta stund verða ljósblár.
 - Síðan slokknar á virkjunarskjánum.

Ef um viðvörunarástand er að ræða skaltu kynna þér hlutana Viðvörunaraðstæður eða Bilanaleit.

Lýsing á viðvörunaraðstæðum

Þegar viðvörunarástand á sér stað:

- Viðvörunarhljóð heyrir
- Einn af skjánum á CoolSeal™ rafalnum logar blár, gulbrúnn eða rauður
- Orkuafhending er trufluð

Orka verður tiltæk eftir að viðvörunarástand hefur verið leiðrétt. Kynntu þér eftirfarandi töflu til að leysa úr viðvörunarástandi:

Viðvörunarástand:	Sýnt með:	Orsakir:	Úrlausn:
Þéttingu lokið	<ul style="list-style-type: none"> • Þriggja tóna viðvörun í röð • RF-orkuafhending stöðvast • Virkjunarskjár verður bjartari blár í hálfu (0,5) sekúndu 	Þétting æðadeilis bar árangur.	Ekkert. Venjuleg notkun.
Hvarfgjörn/ókláruð þétting	<ul style="list-style-type: none"> • Þriggja tóna viðvörun • RF-orkuafhending stöðvast • Virkjunarskjár verður bjartari gulbrúnn í eina (1) sekúndu 	<p>Þéttitími fer yfir fimm (5) sekúndur EDA</p> <p>Notandi opnaði annaðhvort grip áhalds eða sleppti virkjunarhnappinum sem olli því að þéttiferli truflaðist áður en þétting átti sér stað</p> <p>EDA</p> <p>Núverandi staða við hámarksörk fyrir straum lengur en í fjórar (4) sekúndur sem sýnir að skammhlaup hefur orðið á milli gripa</p> <p>EDA</p> <p>Áhaldið hefur verið virkjað undir beru lofti.</p>	<ol style="list-style-type: none"> 1. Slepptu virkjunarhnappinum. 2. Þrýstu á virkjunarhnappinn til að endurvirkja þéttiferli án þess að koma áhaldinu aftur fyrir á nýjum stað. 3. Opnaðu grip áhalds og leitaðu að árangursríkri þéttingu 4. Ef mögulegt er skal endurstaðsetja áhaldið og taka aftur um vef á öðrum stað, síðan endurvirkja þéttiferlið 5. Skoðaðu sjónrænt þétti fyrir skurð
Mögulegar notkunaraðstæður geta verið:			
		Tekið er í þunnan vef eða virkjun undir beru lofti.	Opnaðu gripið og staðfestu að nóg af vef sé inni í því. Ef nauðsyn krefur skal auka vefjamagn og endurtaka verklagið
		Ef tekið er um of mikinn vef á milli gripa.	Opnaðu gripin og dragðu úr því magni vefs sem tekið er um og endurvirkjaðu þéttiferlið
		Gripið í málmhlut.	Forðast skal að grípa í hluti eins og hefti, klemmur eða hjúpaða sauma með gripum áhaldsins
		Virkjun í of miklum vökva við enda áhaldsins.	<ol style="list-style-type: none"> 1. Lágmarka eða fjarlægja umframvökva 2. Endurvirkjaðu þéttiferli án þess að koma áhaldinu aftur fyrir á nýjum stað
		Of mikil vefjabrunaskorða á endum rafskauts.	Notaðu blauta grisju til að hreinsa fleti og brúnir á gripum áhalds.

Kerfisvilla	<ul style="list-style-type: none"> • Viðvörðunartónn með einum púls • RF-orkuafhending stöðvast, aflhnappur logar og er áfram rauður 	Rafall virkar ekki rétt, innri sjálfspöfun tókst ekki.	<ol style="list-style-type: none"> 1. Þrýstu á aflhnappinn til að slökkva á rafall 2. Hinkraðu í að minnsta kosti 30 sekúndur 3. Þrýstu á aflhnappinn til að kveikja á rafall 4. Staðfestu að aflhnappurinn logi grænn fyrir notkun. <p>Ef kerfisvilla kemur aftur upp:</p> <ul style="list-style-type: none"> • Ekki nota rafall. • Notaðu annan CoolSeal™ rafall eða aðra leið til að ljúka verklaginu. <p>Skilaðu biluðum rafall eins og lýst er í hlutanum Vörubjónusta í þessari handbók.</p>
Villa áhalds	<ul style="list-style-type: none"> • Viðvörðunartónn með einum púls • Skjár íláts áhalds logar gulbrúnn og blikkar stöðugt • Rafall heimilar ekki RF-orkuafhendingu 	Rafall virkar ekki rétt, innri sjálfspöfun tókst ekki.	<ol style="list-style-type: none"> 1. Aftengdu áhaldið frá rafall. 2. Passaðu að ekki sé ýtt á virkjunarhnapp áhalds. 3. Tengdu áhaldið aftur við rafall. 4. Staðfestu að skjár íláts áhalds logi grænn <p>Ef villa áhalds kemur aftur upp:</p> <ul style="list-style-type: none"> • Ekki nota áhaldið • Notaðu annað CoolSeal™ áhald.
Mögulegar notkunaraðstæður geta verið:			
Ef þrýst er fyrir slysi á virkjunarhnapp áhalds við tengingu áhalds.			Fjarlægðu það sem þrýst er á virkjunarhnapp áhalds og tengdu áhaldið aftur.
Rofi áhalds er bilaður.			Skiptu um áhaldið.

Ógilt áhald	<ul style="list-style-type: none"> • Viðvörðunartónn með einum púls • Skjár áhalds logar og er áfram rauður • Rafall heimilar ekki RF-orkuafhendingu 	Ónothæft áhald hefur verið tengt.	<ol style="list-style-type: none"> 1. Aftengdu áhald frá rafall. 2. Passaðu að áhald sé samhæft CoolSeal™ 3. Tengdu áhald aftur við rafall. 4. Staðfestu að skjár íláts áhalds logi grænn <p>Ef villa áhalds kemur aftur upp:</p> <ul style="list-style-type: none"> • Ekki nota áhaldið • Notaðu annað CoolSeal™ áhald.
		Mögulegar notkunaraðstæður geta verið:	
		Tengt áhald er ekki samhæft við CoolSeal™ tækni.	Staðfestu að samhæfi CoolSeal™ tækni áhalds í notkunarleiðbeiningum áhalds.
		Tengt áhald hefur áður verið notað.	Fargaðu áhaldi.
		Ekki er hægt að nota áhald með hugbúnaðarútgáfu.	<p>Staðfestu að nauðsynleg hugbúnaðarútgáfa áhalds sé ekki hærrí en hugbúnaðarútgáfan sem finna má undir CoolSeal™ rafall.</p> <p>Kynntu þér hlutann Hugbúnaðaruppfærsla með upplýsingum um uppfærslu hugbúnaðar.</p>

4. kafli Eftir skurðaðgerð


Í þessum kafla er fjallað um eftirfarandi atriði:

- Að slökkva á CoolSeal™ rafall
- Undirbúningur á CoolSeal™ rafall til endurnotkunar

Varúð

Lestu öll viðvörunar- og varúðarorð sem og leiðbeiningar sem fylgja þessum rafall fyrir notkun. Sérstækar leiðbeiningar fyrir CoolSeal™ áhöld fylgja ekki þessari handbók. Kynntu þér leiðbeiningar fyrir CoolSeal™ áhöld til notkunar varðandi upplýsingar um viðvörunar-, varúðarorð og leiðbeiningar um notkun.

Að slökkva á CoolSeal™ rafall

1. Slökktu á búnaðinum með því að þrýsta á aflhnappinn () framan á einingunni. Fylgdu eftirfarandi:
 - Það slokknar á aflhnappinum.

Ef nauðsyn krefur má slökkva á rafall með því að taka rafmagnssnúruna úr sambandi í innstungu eða vegg.

Undirbúningur á CoolSeal™ rafall til endurnotkunar

1. skref – Aftenging á CoolSeal™ áhöldum

1. Aftengdu áhald úr framhliðinni.
2. Fargaðu einnota áhaldi í samræmi við verklag stofnunar þinnar.

2. skref – Hreinsaðu CoolSeal™ rafall

Viðvörðun

Hætta á raflosti

Slökktu alltaf á og taktu CoolSeal™ rafall úr sambandi fyrir hreinsun.

Tilkynning

Hreinsaðu CoolSeal™ rafall með óeldfimum efnum og sótthreinsiefni þegar slíkt er mögulegt. Ekki nota svarfandi hreinsiefni eða sótthreinsiefni, leysiefni eða önnur efni sem gætu rispað hliðarnar eða skemmt rafalinn, til dæmis kolblönduð kolvatnsefni eða önnur plastleysiefni.

- Slökktu á rafall og taktu rafmagnssnúruna úr sambandi í veggnum.
- Þurrkaðu vandlega af öllum flötum og rafmagnssnúrunni með mildri hreinsilausn eða sótthreinsunarefni og rökum klút. Ef notaður er klór skal þynna hann fyrir hreinsun.
- Fylgdu verklagi sem staðfest er af stofnun þinni eða notaðu vottað verklag við smitstjórnun.
- Ekki setja á kaf, skola of mikið eða láta vökva á annan hátt fara inn í grindina.

5. kafli Bilanaleit

Í þessum kafla er fjallað um eftirfarandi atriði:

- Almenn viðmið varðandi bilanaleit
- Leiðrétting á bilunum

Varúð

Lestu öll viðvörunar- og varúðarorð sem og leiðbeiningar sem fylgja þessum rafall fyrir notkun. Sérstakar leiðbeiningar fyrir CoolSeal™ áhöld fylgja ekki þessari handbók. Kynntu þér leiðbeiningar fyrir CoolSeal™ áhöld til notkunar varðandi upplýsingar um viðvörunar-, varúðarorð og leiðbeiningar um notkun.

Almenn viðmið varðandi bilanaleit

Ef CoolSeal™ rafall bilar skal athuga með augljós atriði sem geta hafa valdið vandamálinu:

- Staðfestu að allar snúrur séu tengdar og rétt festar.
- Athugaðu með sýnilegum merkjum um skemmdir á búnaðinum.
- Slökktu á búnaðinum og kveiktu síðan aftur á honum.

Ef bilun er viðvarandi kann að vera nauðsynlegt að þjónusta fari fram. Hafðu samband við líflækniseild stofnunar þinnar, Bolder Surgical eða viðurkenndan dreifingaraðila.

Ef atvik eiga sér stað við notkun CoolSeal™ búnaðar ættu notendur að tilkynna slíkt beint til Bolder Surgical símleiðis (+1 866.683.1743) eða með tölvupósti (complaints@boldsurg.com) og til lögbærra yfirvalda á staðnum.

Leiðrétting á bilunum

Ef lausn er ekki augljós skal nota töfluna hér að neðan til að greina og leiðrétta tilteknar bilanir. Eftir að bilun hefur verið leiðrétt skal staðfesta að búnaðurinn ljúki sjálfspöfun eins og lýst er í kaflanum Kerfissuppsetning.

Óeðlileg viðbrögð sjúklings:

Staða:	Orsakir:	Úrlausn:
Óeðlileg tauga- og vöðvaörvun (stöðvaðu aðgerð tafarlaust)	Neistamyndun málmis í málm	Athugaðu allar tengingar við CoolSeal™ rafall.
	Óeðlilegur 50 Hz-60 Hz lekastraumur	Notaðu vara CoolSeal™ rafall. Hafðu samband við líflækniseild þína eða fulltrúa tækniþjónustu Bolder Surgical™ til að fá aðstoð.

CoolSeal™ rafalsbilanir:

Staða:	Orsakir:	Úrlausn:
CoolSeal™ rafall svarar ekki þegar kveikt er á honum	Rafmagnssnúra ekki í sambandi eða biluð innstunga í vegg	Athugaðu tengi rafmagnssnúru (CoolSeal™ rafals og innstungu í vegg). Tengdu rafmagnssnúruna við innstungu sem virkar.
	Biluð rafmagnssnúra	Skiptu um rafmagnssnúruna.
	Öryggi sprungin	Hafðu samband við líflækniseild þína eða fulltrúa tækniþjónustu Bolder Surgical™ til að fá aðstoð.
	Bilun í innri íhlut	Notaðu vara CoolSeal™ rafall. Hafðu samband við líflækniseild þína eða fulltrúa tækniþjónustu Bolder Surgical™ til að fá aðstoð.

Kveikt er á búnaði en hann lauk ekki sjálfspöfun eða hætti að virka við notkun – Einn púls tónn og aflhnappur logar rauður	Eining geymd á köldum stað	Láttu einingu hitna að umhverfishita.
	Endurheimtanleg bilun hugbúnaðar	Notaðu vara CoolSeal™ rafall. Hafðu samband við líflæknisdeild þína eða fulltrúa tækniþjónustu Bolder Surgical™ til að fá aðstoð.
	Bilun í innri íhlut eða óendurheimtanleg bilun hugbúnaðar	Bilun í innri íhlut.
Kveikt er á búnaði með einum tón og blikkandi gulbrúnum skjá íláts áhalds.	Búnaður ræstur með biluðu áhaldi tengdu við ílát áhalds	Aftengdu áhald. Slökktu á CoolSeal™ rafall.
	Rangt eða útrunnið áhald	Kveiktu á CoolSeal™ rafall. Settu áhaldið í samband.
	Bilun í áhaldi	Skiptu áhaldinu út ef bilun er viðvarandi.
	Ekki er hægt að nota CoolSeal™ áhald með hugbúnaðarútgáfu	Fáðu líflæknisdeild þína til að athuga hjá framleiðanda tækisins. Kynntu þér hlutann Hugbúnaðaruppfærsla með upplýsingum um uppfærslu hugbúnaðar.
Kveikt er á búnaði, aflhnappur logar grænn þegar áhaldinu er stungið í samband heyrir einn tónn og rauður skjár fyrir ílát áhalds er sýndur.	Staðfesting áhalds tókst ekki vegna tengingar sem er slitrótt	Taktu áhald úr sambandi Settu það aftur tryggilega í samband.
	Endurheimtanleg bilun hugbúnaðar	Slökktu á búnaðinum, kveiktu síðan aftur á honum.
	Bilun í innri íhlut eða óendurheimtanleg bilun hugbúnaðar	Notaðu vara CoolSeal™ rafall. Hafðu samband við líflæknisdeild þína eða fulltrúa tækniþjónustu Bolder Surgical™ til að fá aðstoð.
Kveikt er á CoolSeal™ rafall og áhald er virkjað en búnaðurinn skilar engu úttaki, engum tónum eða virkjunarskjá	Viðvörunarástand er til staðar	Kynntu þér hlutann Viðvörunarástand.
	Kerfið greinir ekki áhald fyrir æðadeili	Settu tengið tryggilega í ílátið á framhlið CoolSeal™ rafals. Tryggðu að skjár íláts logi grænn sem sýnir að CoolSeal™ áhaldið sitji rétt og sé staðfest.
	Bilun í innri íhlut eða óendurheimtanleg bilun hugbúnaðar	Hafðu samband við líflæknisdeild þína eða fulltrúa tækniþjónustu Bolder Surgical™ til að fá aðstoð.
Ókláruð þétting / Endurvirkja – Þriggja púlsa tónn hljómar, gulbrúnn virkjunarskjár á framhlið rafals og RF-úttak er afvirkjað	Þéttiferli varði lengur en í 5 sekúndur EDA	Þörf er á viðbótartíma og orku til að ljúka þéttiferli. Endurvirkjaðu þéttiferli án þess að fjarlægja eða koma áhaldinu aftur fyrir á nýjum stað.
	Handrofa var sleppt áður en lokahljóðið hljómaði	Skoðaðu sjónrænt þétti fyrir skurð.
	Málmur og annar aðskotahlutur er tekin með gripum	Forðast skal að grípa í hluti eins og hefti, klemmur eða hjúpaða sauma með gripum áhaldsins.
	Vefur sem tekin er með gripi er of þunnur	Opnaðu gripið og staðfestu að nóg af vef sé inni í því. Ef nauðsyn krefur skal auka vefjamagn og endurtaka verklagið.
	Safnvökvi í kringum enda áhalds	Lágmarkaðu eða fjarlægðu umframvökva. Hreinsaðu enda rafskauts og grip með blautri grysju.
	Áhaldið hefur verið virkjað undir beru lofti	Sleptu virkjunarhnappinum. Taktu um vef og virkjaðu þéttiferli.
Áhald er tengt en æðadeilir virkjast ekki	Áhald situr ekki að fullu í íláti áhalds	Aftengdu áhald, tengdu aftur og hinkraðu í augnablik.

Möguleg víxlverkun við önnur tæki:

Staða:	Orsakir:	Úrlausn:
Stöðug truflun á skjá	Bilaður skjár	Kynntu þér notkunarleiðbeiningar skjás við bilanaleit.
	Slæmar tengingar grindar við jörð.	Athugaðu og leiðréttu tengingar grindar við jörð fyrir skjáinn og CoolSeal™ rafall. Athugaðu hvort annar rafeindabúnaður í herberginu sé gallaður.
	Rafeindabúnaður er jarðtengdur við mismunandi hluti í stað eins. CoolSeal™ rafall gæti brugðist við spennunum á milli jarðtengdra hluta.	Tengdu allan rafeindabúnað við rafmagn á sama stað. Hafðu samband við líflæknisdeild þína eða fulltrúa tækniþjónustu Bolder Surgical™ til að fá aðstoð.
	Ef truflun heldur áfram á meðan CoolSeal™ rafall er virkjaður er skjárinn að bregðast við geisluðum tíðnum.	Fáðu líflæknisdeild þína til að athuga hjá framleiðanda skjásins. Sumir framleiðendur bjóða RF-síur til notkunar í snúrum skjáa. Sírunar draga úr truflunum þegar CoolSeal™ rafall er virkjaður og lágmarka möguleikann á rafskurðlækningabruna á þeim stað þar sem rafskaut skjás er.
Truflun gangráðar	Tengingar slitróttar eða neistamyndun málm í málm	Ávallt skal fylgjast með sjúklingum með gangráð í aðgerð og hafa stuðtæki við höndina.
Virgjun á Internal Cardiac Defibrillator (ICD)	ICD er virkjaður af CoolSeal™ rafall	Stöðvaðu aðgerð og hafðu samband við framleiðanda ICD til að fá leiðbeiningar.
Truflun við önnur tæki aðeins þegar CoolSeal™ rafall er virkjaður	Jarðtengdir rafmagnsvírar eru í ósamræmi á skurðstofunni	Staðfestu að allir jarðtengdir vírar séu eins stuttir og mögulegt er og liggja í sama jarðtengda málminn.
	Ef truflun heldur áfram á meðan CoolSeal™ rafall er virkjaður er tækið að bregðast við geisluðum tíðnum.	Fáðu líflæknisdeild þína til að athuga hjá framleiðanda tækisins.

6. kafli Reglubundin prófun á virkni, viðhald og þjónusta

Í þessum kafla er að finna eftirfarandi upplýsingar:

- Ábyrgð framleiðanda
- Reglubundin prófun á virkni og viðhald
- Skil á rafall vegna þjónustu
- Hugbúnaðaruppfærslur

Varúð

Lestu öll viðvörunar- og varúðarorð sem og leiðbeiningar sem fylgja þessum rafall fyrir notkun. Sérstakar leiðbeiningar fyrir CoolSeal™ áhöld fylgja ekki þessari handbók. Kynntu þér leiðbeiningar fyrir CoolSeal™ áhöld til notkunar varðandi upplýsingar um viðvörunar-, varúðarorð og leiðbeiningar um notkun.

Ábyrgð framleiðanda

Bolder Surgical ber ábyrgð á öryggi, áreiðanleika og frammistöðu CoolSeal™ rafals aðeins ef eftirfarandi skilyrðum er fullnægt:

- Uppsetningarverklagi í þessari handbók er fylgt.
- Aðilar sem viðurkenndir eru af Bolder Surgical framkvæma samsetningu, notkun, endurstillingu, breytingar eða viðgerðir.
- Raflagnabúnaður viðeigandi stofu uppfyllir skilyrði gildandi laga og regluverks á borð við IEC og BSI.
- Búnaðurinn er notaður í samræmi við notkunarleiðbeiningar Bolder Surgical. Kynntu þér ábyrgðarhlutann í þessari handbók, en þar er að finna upplýsingar um ábyrgðina.

Reglubundin prófun á virkni og viðhald

Hvenær ætti reglubundin prófun á virkni að fara fram?

Bolder Surgical mælir með að reglubundin prófun á virkni CoolSeal™ rafals sé framkvæmd að minnsta kosti á tveggja ára fresti. Reglubundin prófun á virkni ætti að fara fram af viðurkenndum líflæknissérfræðingi en annars er hægt fara með CoolSeal™ rafall til Bolder Surgical eða dreifingaradila hans svo hægt sé að framkvæma prófunina. Sjá Viðauki A með ítarlegum leiðbeiningum um reglubundna prófun á virkni.

Hvenær þarf að skipta um rafmagnssnúru?

Skiptu um rafmagnssnúruna ef þú sérð bera víra, sprungur, trosnaðar brúnir eða skemmt tengi.

Hvenær ætti að skipta um öryggi?

Líflæknisdeild sjúkrahússins kann stundum að þurfa að skipta um öryggi. Skipta ætti um öryggi þegar því er fórnað til að vernda CoolSeal™ rafall eða eins og tilgreint er af líflæknisdeild vegna fyrirbyggjandi viðhalds. Ef öryggi bilar endurtekið á stuttum tíma skal ekki halda áfram að skipta um öryggi en þess í stað fara með CoolSeal™ rafall í þjónustu.

Hvernig er skipt um öryggi?

1. Slökktu á rafall og taktu rafmagnssnúruna úr sambandi í veggnum.
2. Taktu rafmagnssnúru búnaðarins úr sambandi við rafmagnsinnstungu á afturhliðinni.
3. Losaðu öryggiskassann undir rafmagnsinntakinu.
4. Fjarlægðu bæði öryggi.
5. Vertu þér úti um öryggi sem eru merkt eins undir rafmagnsinntakinu á afturhliðinni.
6. Settu bæði öryggi í.
7. Settu öryggiskassann í og festu hann.

Vöruþjónusta

Viðvörðun

Hætta á raflosti: Ekki fjarlægja hlíf CoolSeal™ rafals.

Ekki reyna að sinna þjónustu á CoolSeal™ rafals. Öll þjónusta og viðgerðir verða að fara fram af viðurkenndum Bolder Surgical™ tækniðila.

Skil á CoolSeal™ rafall vegna þjónustu

Áður en farið er með CoolSeal™ rafall skal hringja í sölufulltrúa Bolder Surgical™ til að fá aðstoð. Ef þér er fyrirskipað að senda búnaðinn til Bolder Surgical skaltu gera eftirfarandi:

1. Hringdu í þjónustuver Bolder Surgical™ á þínu svæði til að fá heimildarnúmer fyrir skil. Vertu með eftirfarandi upplýsingar við höndina þegar þú hringir:
 - Númer sjúkrahúss/heiti lækningastofu/númer viðskiptavinar
 - Símanúmerið þitt
 - Deild/heimilisfang, borg, ríki og póstnúmer
 - Tegundarnúmer
 - Raðnúmer
 - Lýsing á vandamálinu
 - Tegund þjónustu, uppfærslu eða viðgerð sem fara þarf fram
2. Hreinsaðu CoolSeal™ rafall.
 - Sjá hlutann Hreinsun hér að ofan.
3. Sendu CoolSeal™ Rafall.
 - Festu miða á rafalinn sem inniheldur heimildarnúmer fyrir skil og upplýsingarnar (sjúkrahús, símanúmer o.s.frv.) sem finna má í skrefi 1.
 - Passaðu að rafalinn sé alveg þurr áður en þú sendir hann af stað. Settu hann í upprunalegar umbúðir ef þær eru tiltækar.
 - Sendu rafalinn, greiddu fyrir það fyrirfram, í Bolder Surgical™ þjónustumiðstöðina.

Hugbúnaðaruppfærslur

Starfsmenn Bolder Surgical™ verða að framkvæma hugbúnaðaruppfærslur. Sjá *Skil á CoolSeal™ rafall vegna þjónustu* (að ofan) með leiðbeiningum.

7. kafli Tæknilýsingar

Allar tæknilýsingar eru málgildi og háð breytingum án fyrirvara.

Tæknilýsing sem kölluð er „Hefðbundin“ er innan við $\pm 20\%$ af uppgefnu gildi við stofuhita ($25^{\circ}\text{C} / 77^{\circ}\text{F}$) og málsþennu fyrir línu.

Varúð

Lestu öll viðvörðunar- og varúðarorð sem og leiðbeiningar sem fylgja þessum rafall fyrir notkun. Sérstakar leiðbeiningar fyrir CoolSeal™ áhöld fylgja ekki þessari handbók. Kynntu þér leiðbeiningar fyrir CoolSeal™ áhöld til notkunar varðandi upplýsingar um viðvörðunar-, varúðarorð og leiðbeiningar um notkun.

Frammistöðueiginleikar

Almennt

Uppsetning á úttaki:	Einangrað úttak
Kæling:	Náttúrulegt umhverfishringstreymi
Skjár:	Gaumljós og aflrofi
Tengi:	LED-ljós logar við greiningu á tengingu
Festing:	Bómukerfi skurðstofu
	Hvaða stöðugur og sléttur flötur sem er, til dæmis borð eða ofan á vagni

Mál og þyngd

Breidd:	30,5 cm (12 in.)
Dýpt:	38,1 cm (15 in.)
Hæð:	10,9 cm (4,3 in.)
Þyngd:	5,4 kg (12 lbs.)

Notkunarbreytur

Svið umhverfishitastigs:	+10°C til +35°C
Rakastig:	30% til 75% (án rakamyndunar)
Loftþrýstingur:	67 kílóþrýstingur til 111 kílóþrýstingur
Upphitunartími:	Ef flutningur eða geymsla fer fram sem er fyrir utan sviðs ganghita skal hinkra í eina klukkustund á meðan CoolSeal™ rafall nær ganghita fyrir notkun.

Flutningur og geymsla

Svið umhverfishitastigs:	-20°C til +60°C
Rakastig:	0% til 90% (án rakamyndunar)
Loftþrýstingur:	46 kílóþrýstingur til 111 kílóþrýstingur

Innra minni

Fastheldið:	RAM
Geymslupláss:	Minni getur geymt upplýsingar fyrir síðustu 2000 þéttiferla. Gögn eru ekki sérstök fyrir sjúklinga og ekki aðgengileg notendum.

Virkjunarhljóð

Hljóðstigin hér að neðan eru til að virkja tóna til að þétta í eins metra fjarlægð.

Hljóðstyrkur (stillanlegur): 40 dBA til 80 dBA

Tíðni

CoolSeal™ þétting: 349,2 Hz

Tímalengd: Stöðugt á meðan búnaðurinn veitir RF-orku með virkum hætti

Viðvörðunarljóð

Hljóðstyrkur (stillanlegur): 65 dBA til 80 dBA

Tíðni

Villa kerfis eða villa áhalds: Einn 550 msec tóna púls
Hátt = 2637 Hz, lágt = 440 Hz

550 msec

Þéttingu lokið: Þrjár tónar í röð
349,2 Hz, 392 Hz og 440 Hz
75 msec, 150 msec og 300 msec lengd

Hvarfgjörn/ókláruð þétting: Þriggja tóna púls
Hátt = 2489 Hz, lágt = 349,2 Hz
80 msec púls, 100 msec hlé á milli

Inntaksafi

Hámarksafi við málspennu í línu: 110 W
Rafstraumur (hámark) Hvílandi: 250 mA Þétting: 1 A
Tíðnisvið raflínu (mál): 50 Hz til 60 Hz
Spennusvið raflínu (mál): 100-240 V
Öryggi (2): Tegund T5AH 250 V eða samsvarandi, 5 mm x 20 mm 5 A, 250 V, hægvirkt, mikil brotgeta
Aflinntak: IEC 60320 C14

Tæknilýsing fyrir rafmagnssnúru

Þessi eining var búin frá verksmiðjunni með 110 VAC rafmagnssnúru fyrir sjúkrahús með NEMA5-15 rafmagnstengi. Þegar skipt er um rafmagnssnúruna til að passa við aðrar stillingar rafmagnstengisins, verður skipulag fyrir tengi/snúru/ílát sem skipt er um að uppfylla eða fara yfir eftirfarandi tæknilýsingar:

100-120 VAC

Snúra: SJT 18/3, IEC litakóði, hámarkslengd 3 m (10 ft.)
Rafmagnstengi: Fyrir sjúkrahús, uppfyllir kröfur staðbundins lands
Lágmark: 10 A - 125 VAC
Ílát einingar: IEC 60320 C13, lágmark 10 A - 125 VAC

220-240 VAC

Snúra: H05VVF3G1.0, hámarkslengd 3 m (10 ft.)
Rafmagnstengi: Fyrir sjúkrahús, uppfyllir kröfur staðbundins lands
Lágmark: 6 A - 250 VAC
Ílát einingar: IEC 60320 C13, lágmark 6 A - 250 VAC

Tæknilýsingar

Inntakstíðni

CoolSeal™ rafall virkar innan tæknilýsingar á öllum línuinntakstíðnum milli 47 Hz og 63 Hz. Notandinn þarf ekki að setja aftur upp CoolSeal™ rafall fyrir mismunandi línutíðnir.

Inntaksstraumur

CoolSeal™ rafall sækir ekki meira en 5 A við línuinntaksspennu.

Varaafli

CoolSeal™ rafall geymir kvörðunar- og tölfraeðigögn þegar slökkt er á honum og hann tekinn úr sambandi. CoolSeal™ rafall virkar innan tæknilýsingar þegar hann er settur á veitulínuafli af varakerfi sjúkrahúss.

Spennujöfnun

Spennujöfnun er veitt aftan á CoolSeal™ rafall sem greiðir fyrir tengingu á hugsanlegu jöfnunartæki ef þörf krefur.

Vinnuferli

Við hámarks aflstillingar og nafnþyngd getur CoolSeal™ rafall virkað við vinnuferli sem nemur 25%, skilgreint sem 5 sekúndur af virkri RF-afhendingu og 15 sekúndur af óvirkni.

Lágtíðni (50/60 Hz) lekastraumur

Uppfyllir skilyrði IEC 60601-1, Ed. 3.1







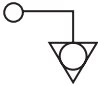
Lágtíðnimörk:

Jarðleki:	5 mA Hefðbundnar aðstæður	10 mA Einn bilunartilvik
Snertistraumur:	100 µA Hefðbundnar aðstæður	500 µA Eitt bilunartilvik
Leki sjúklings: <i>(miðað við hlut af tegund CF)</i>	10 µA Hefðbundnar aðstæður	50 µA Eitt bilunartilvik (DC eða AC straumur)
Leki sjúklings við rafmagn á hlut af tegund F: <i>(miðað við hlut af tegund CF)</i>		50 uA

Staðlar og IEC-flokkarnir

CoolSeal™ rafall uppfyllir öll viðeigandi ákvæði IEC 60601-1 Ed. 3.1, IEC 60601-1-2 Ed. 4.0 og IEC 60601-2-2 Ed. 6.0.

Tákn

	Leitaðu upplýsinga í leiðbeiningum fyrir notkun		Inntak rafmagns (straumur)
	Viðvörðun, rafmagn Ekki fjarlægja hlífina til að draga úr hættunni á raflosti. Fáðu viðurkenndan þjónustuaðila til að sinna þjónustu.		Úttak rafmagns (RF)
	Raðnúmer		Reiðuhamur, afl
	Viðurkenndur fulltrúi í Evrópu		Hitamörk
	Vörulista-, pöntunar- eða tilvísunarnúmer		Rakamörk
	Lækningatæki		Takmörk loftþrýstings
	Framleiðandi		Haltu þurru
	Framleiðsludagur		Flokkað með tilliti til rafstuðs, elds og vélræna áhættu eingöngu í samræmi við IEC 60601-1 og CAN/CSA C22.2 nr. 601.1.
	Rafallinn er hannaður fyrir hlut af tegund CF		Samræmist kröfum FCC, 15. hluta.
	Spennujöfnun		Stilling á styrk fyrir virkjunartóna, réttisælis hækkar styrk
	Öryggi		Búnað má ekki farga með sorpi

Flokkanir

Búnaður í flokki I (IEC 60601-1)

Aðgengilegir leiðandi hlutar geta ekki orðið virkir ef grunneinangrun bilar vegna þess hvernig þeir eru tengdir við jarðleiðara.

Rafsegulsviðssamhæfi (IEC 60601-1-2)

Þetta tæki er í samræmi við 15. hluta FCC reglanna. Notkun er háð eftirfarandi tveimur skilyrðum:

- (1) Þetta tæki getur ekki valdið skaðlegum truflunum og
- (2) Þetta tæki verður að samþykkja truflanir sem berast, þ.m.t. truflun sem getur valdið óæskilegri notkun.

Búnaður af tegund CF (IEC 60601-1)

Þessi rafall veitir mikla vernd gegn raflosti, sérstaklega varðandi leyfilega lekastrauma. Hann er af gerð CF með einangrandi (fjótandi) úttak og má nota í aðgerðum sem fela í sér hjartað.

IP XX vökvaadgangur/-leki (IEC 60601-1 og IEC 60601-2-2)

CoolSeal™ rafall er samsettur þannig að vökvi sem lekur við venjulega notkun bleytir ekki rafeinangrun eða aðra íhluti sem líklega hafa slæm áhrif á öryggi búnaðarins þegar þeir eru bleyttir.

Skammtíaspenna – Energy Platform Mains Transfer (IEC60601-1 og IEC 60601-2-2)

CoolSeal™ rafall heldur áfram að starfa eðlilega án villna eða bilana í kerfinu þegar flutningur fer fram á milli línu riðstraums og spennugjafa neyðarorkupallsins. (IEC 60601-1- 2)

Rafsegulsviðssamhæfi (IEC 60601-1-2 og IEC60601-2-2)

CoolSeal™ rafall samræmist viðeigandi IEC 60601-1-2 og 60601-2-2 tæknilýsingum varðandi rafsegulsviðssamhæfi.

Viðvörðun

Notkun á þessum búnaði við hliðina á eða með því að stafla á annan búnað ætti að forðast vegna þess að það gæti haft í för með sér ónákvæma virkni. Ef slíkt er nauðsynlegt skal fylgjast með þessum búnaði og öðrum búnaði til að staðfesta að hann virki rétt.

Færanlegan RF-fjarskiptabúnað (þar á meðal jaðarbúnað eins og loftnetssnúður og ytri lofnet) ætti að nota ekki nær en 30 cm (12 tommur) frá neinum hluta CoolSeal™ rafals, þar á meðal snúrum frá Bolder Surgical. Ef það er gert kann skerðing á afköstum búnaðarins að eiga sér stað.

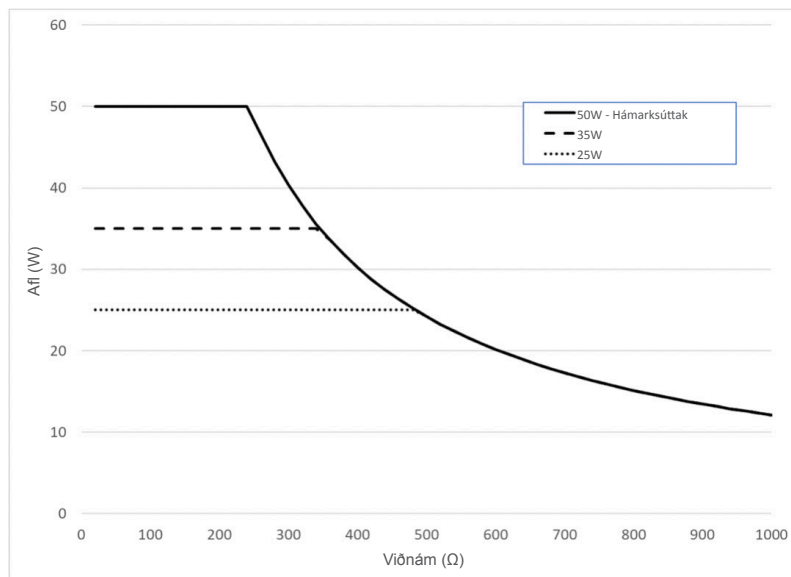
Eiginleikar úttaks

Hámarksúttak fyrir CoolSeal™ rafall

Rafmagnaflestur er í samræmi við raunverulegt afl í málafla innan við 20% eða 5 wött, hvort sem er stærra.

Toppspenna á opinni rafrás (hám.)	Nafnþyngd	Málúttaksafli (hám.)	Sveifluvíddarstuðull	Bylgjuvinnuferill
190 V	20 Ω	50 W	1,9	100%

Úttaksafli á móti myndriti fyrir samviðnám



Rafsegulónæmi

Leiðbeiningar og yfirlýsing framleiðanda - Rafsegulútgeislun

CoolSeal™ rafall er ætlaður til notkunar í rafsegulumhverfi sem tilgreint er hér að neðan. Viðskiptavinur eða notandi CoolSeal™ rafals ætti að tryggja að hann sé notaður í slíku umhverfi.

RF-losun CISPR 11	Hópur 2	CoolSeal™ rafall verður að senda frá sér rafsegulorku til að geta sinnt hlutverki sínu. Það getur haft áhrif á rafeindabúnað í nágrenninu.
Leiðaraflutt útgeislun EN 55011:2009+A1:2010, CISPR 11:2009+A1:2010	Flokkur A	
Geisluð útgeislun EN 55011:2009+A1:2010, CISPR 11:2009+A1:2010	Flokkur A	CoolSeal™ rafall er hentugur til notkunar á öllum stöðum utan heimilis og þeim sem eru beintengdir opinberu lágspennuveitukerfi sem sér um byggingar sem notaðar eru til heimilisnota.
Yfirsveifluútgeislun IEC/EN 61000-3-2:2014	Tæki í flokki A	
Spennuflokt/flöktútgeislun IEC/EN 61000-3-3:2013	Í samræmi við grein 5 í Staðlinum	

Grunnöruggi samkvæmt IEC 60601-1 er frammistöðukrafan sem notuð er við ónæmisprófanir. Nauðsynleg frammistaða á ekki við.

Tilkynning

ÚTGEISLUNAREIGINLEIKAR þessa búnaðar gerir hann hentugan til notkunar á iðnaðarsvæðum og sjúkrahúsum (CISPR 11, flokkur A). Ef hann er notaður í íbúðarumhverfi (sem venjulega er krafist CISPR 11, flokks B) gæti þessi búnaður ekki veitt nægilega vernd fyrir fjarskiptatengda þjónustu með radiótíðni. Notandinn gæti þurft að grípa til mótvægisáðgerða, svo sem að flytja búnaðinn aftur eða snúa honum.

Leiðbeiningar og yfirlýsing framleiðanda - Rafsegulónæmi

CoolSeal™ rafall er ætlaður til notkunar í rafsegulumhverfi sem tilgreint er hér að neðan. Viðskiptavinur eða notandi CoolSeal™ rafals ætti að tryggja að hann sé notaður í slíku umhverfi.

Þolprófun	IEC 60601 prófunarstig	± Fylgnistig	Rafsegulumhverfi - Leiðbeiningar
Rafstöðuafhleðsla IEC/EN 61000-4-2	± 8 kV sneriafhleðsla ± 2, 4, 8 og 15 kV loftafhleðsla	± 8 kV sneriafhleðsla ± 2, 4, 8 og 15 kV loftafhleðsla	Gólf ættu að vera úr viði, steypu eða með keramikflísum. Ef gólf eru þakin gerviefni ætti rakastigið að vera að minnsta kosti 30%.
Geislað ónæmi IEC 61000-4-3:2006 + A1:2008 + A2:2010	80 MHz - 6 GHz 3 V/m 80% @ 1 kHz 28 V/m Spot tíðni 385 MHz – 2,7 GHz púlsmótun	80 MHz - 6 GHz 3 V/m 80% @ 1 kHz 28 V/m Spot tíðni 385 MHz – 2,7 GHz púlsmótun	Færanlegur og fjartengdur RF-fjarskiptabúnaður ætti ekki að vera notaður nálægt neinum hluta CoolSeal™ rafals, þar á meðal snúrum, heldur en ráðlögð fjarlægð sem gefin er upp með jöfnunni sem á við um tíðni sendis.
Nándarvið frá þráðlausum RF-fjarskiptabúnaði IEC 61000-4-3	Í samræmi við töflu 9 í IEC 60601-1-2 staðlinum	Sjá töflu á næstu síðu yfir tíðnisvið og prófunarskilyrði fyrir þráðlausan RF-fjarskiptabúnað	Ráðlögð aðskilnaðarfjarlægð $d = [2] \sqrt{P}$ þar sem P er hámarks framleiðsla afl sendisins í vöttum (W) samkvæmt framleiðanda sendisins og d er ráðlögð aðskilnaðarfjarlægð í metrum (m). Sviðsstyrkur frá föstum RF sendum, eins og hann er ákvarðaður með rafsegulsæðiskönnun ^a , verður að vera minni en fylgnistig á hverju tíðnisviði ^b .
Leiðaraflutt ónæmi (AC afl) (I/O línur) IEC/EN 61000-4-6	0,15 - 80 MHz 3 Vrms og 6 Vrms í ISM Band 1 kHz Rafstraumur	0,15 - 80 MHz 3 Vrms og 6 Vrms í ISM Band 1 kHz Rafstraumur	ISM (iðnaðar, vísindaleg og læknisfræðileg) tíðnibil á milli 0,15 MHz og 80 MHz eru 6,765 MHz til 6,795 MHz; 13.553 MHz til 13.567 MHz; 26.957 MHz til 27.283 MHz; og 40,66 MHz til 40,70 MHz.
Hratt rafmagn Skammtíma (AC afl) IEC/EN 61000-4-4	± 2 kV rafstraumur ± 1 kV - I/O línur 5/50 5 kHz og 100 kHz	± 2 kV rafstraumur ± 1 kV - I/O línur 5/50 5 kHz og 100 kHz	Gæði rafstraums ættu að vera fyrir hefðbundið atvinnuumhverfi eða umhverfi sjúkrahúss.
Straumur línu í línu (AC afl) IEC/EN 61000-4-5	± 1 kV Lína í línu Lína í jörð	± 1 kV Lína í línu Lína í jörð	Gæði rafstraums ættu að vera fyrir hefðbundið atvinnuumhverfi eða umhverfi sjúkrahúss.
Segulónæmi IEC/EN-61000-4-8	30 A/m 50/60 Hz	30 A/m 50/60 Hz	Segulsvið raforkutíðni ættu að vera á stigum sem eru einkennandi fyrir dæmigerðan stað í venjulegu atvinnu- eða sjúkrahúsumhverfi.
Spennudýfur og truflanir IEC/EN 61000-4-11	0% UT 0,5 ferli 0% UT 1 ferli 70% UT 25 ferli 0% UT 5 sek	0% UT 0,5 ferli 0% UT 1 ferli 70% UT 25 ferli 0% UT 5 sek	Ef notandi CoolSeal™ rafals krefst áframhaldandi notkunar við rafmagnstruflanir, er mælt með því að CoolSeal rafall verði knúinn frá ótruflanlegum aflgjafa eða rafhlöðu.

ATHUGAÐU Þessi viðmið kunna ekki að eiga við í öllum aðstæðum. Útbreiðsla rafsegulsviðs hefur áhrif á frásög og speglun frá mannvirkjum, hlutum og fólki.

^aEkki er hægt að spá fræðilega fyrir með nákvæmni um sviðsstyrk frá föstum sendum, svo sem grunnstöðvum fyrir útvarpssíma (þráðlaus) síma og landsíma, talstöðvar fyrir áhugamenn, AM og FM útvarpssendingu og sjónvarpsútsendingu. Til að meta rafsegulmhverfi vegna fastra RF senda, ætti að íhuga rafsegulmælingu. Ef mældur sviðsstyrkur á þeim stað sem CoolSeal™ rafall fer yfir viðeigandi RF-fylgnistig hér að ofan ætti að fylgjast með CoolSeal™ rafall til að staðfesta hefðbundna notkun. Ef vart verður við óeðlilega frammistöðu geta viðbótarráðstafanir verið nauðsynlegar, svo sem að beina eða færa CoolSeal™ rafall til.

^bÞegar tíðnisvið er yfir 150 kHz til 80 MHz ætti sviðsstyrkur að vera minni en 3 V/m.

Leiðbeiningar og yfirlýsing framleiðanda - Rafsegulónæmi			
Tíðnisvið og prófunarskilyrði fyrir þráðlausan RF-fjarskiptabúnað			
Tíðnibil (MHz)	Prófunartíðni (MHz)	Mótun^a	Fylgnistig (V/m)
380 - 390	380 - 390	Púls – 18 Hz	27
430 - 470	450	FM ± 5 kHz frávik 1 kHz sine	28
704 - 787	710	Púls – 217 Hz	9
	745		
	780		
800 - 960	810	Púls – 18 Hz	28
	870		
	930		
1700 - 1990	1720	Púls – 217 Hz	28
	1845		
	1970		
2400 - 2570	2450	Púls – 217 Hz	28
5100 - 5800	5240	Púls – 217 Hz	9
	5500		
	5785		

^aPúlsmótun er skilgreind sem réttþyrnt bylgjuinntak með 50% vinnuferli á skráðri tíðni.

ATHUGAÐU Færanlegan RF-fjarskiptabúnað ætti ekki að nota nær en 30 cm (12 tommur) frá neinum hluta CoolSeal™ rafals, þar á meðal snúrum frá Bolder Surgical. Ef það er gert kann skerðing á afköstum búnaðarins að eiga sér stað.

Ráðlögð aðskilnaðarfjarlægð á milli færans RF-fjarskiptabúnaðar og CoolSeal™ rafals

CoolSeal™ rafall er ætlaður til notkunar í rafsegulumhverfi þar sem geisluðum TF-truflunum er stýrt. Viðskiptavinur eða notandi CoolSeal™ rafals getur hjálpað til við að koma í veg fyrir rafsegultruflanir með því að halda lágmarksfjarlægð milli færans RF-fjarskiptabúnaðar (senda) og CoolSeal™ rafals eins og ráðlagt er hér að neðan, samkvæmt hámarks úttaksafli fjarskiptabúnaðarins.

Hámarks málúttaksafli sendis	Aðskilnaðarfjarlægð frá sendi $d = [2]\sqrt{P}$
0,01	0,20
0,1	0,63
1	2,00
10	6,32
100	20,00

Fyrir sendi sem eru metnir með hámarks úttaksafli sem ekki eru taldir upp hér að ofan er hægt að áætla aðskilnaðarfjarlægð d í metrum (m) með jöfnu sem gildir um tíðni sendisins, þar sem P er hámarks úttaksafli sendisins í vöttum (W) samkvæmt framleiðanda sendisins.

ATHUGAÐU Þessi viðmið kunna ekki að eiga við í öllum aðstæðum. Útbreiðsla rafsegulsviðs hefur áhrif á frásog og speglun frá mannvirkjum, hlutum og fólki.

Viðauki A – Reglubundin prófun á virkni

Markmið prófunarinnar er að staðfesta rétta virkni CoolSeal™ rafals. Mælt er með því að þessi prófun sé framkvæmd á að minnsta kosti tveggja ára fresti til að tryggja að réttri virkni sé viðhaldið með tímanum. Kynntu þér merkinguna endanleg prófunardagsetning fyrir síðustu reglubundnu dagsetningu á prófun á Bolder Surgical™ virkni. Þetta próf má nota oftast eins og krafist er í sjúkrahússtefnu.

Viðvörðun

Ekki opna hulstur CoolSeal™ rafals. Inni í því eru engir íhlutir sem þarfnast þjónustu. Viðbótarprófana er krafist til að staðfesta að öruggri notkun sé viðhaldið þegar hulstur hefur verið opnað. Þessi prófun er aðeins tiltæk á þjónustumiðstöð Bolder Surgical™. Brestur á því getur valdið aukinni hættu á raflosti.

Tilkynning

Einungis viðurkenndir einstaklingar mega framkvæma CoolSeal™ virkniprófun.

Mikilvægt

Valfrjálst eyðublað er veitt hér að neðan til að skrá niðurstöður úr reglubundinni prófun á virkni.

Viðvörðun

Ekki reyna að nota snúru fyrir reglubundna prófun á virkni í neinu skyni öðru en fyrir skrefin sem lýst er hér. Ekki nota á klínískan máta.

Skilgreiningar:

UUT – Eining í prófun

ESA – Greiningartæki fyrir rafmagnsöryggi

ESuA – Greiningartæki fyrir rafskurðlækningar

Nauðsynlegur búnaður:

UUT - CoolSeal™ rafall – CSL-200-50

ESA - Fluke Electrical Safety Analyzer Model ESA612 (eða samsvarandi)

ESuA - Fluke Electro-Surgical Analyzer Model QA-E SII, QA-ES III (eða samsvarandi)

Snúra fyrir reglubundna prófun – CSL-FTC

Skeiðklukka

Viðmið fyrir tókst/mistökt:

- Fylgdu leiðbeiningunum hér að neðan til að fá tilgreinda niðurstöðu, endurtaktu ef þessi niðurstaða fæst ekki.
- Hafðu samband við Bolder Surgical til að sjá um þjónustu til að leysa bilanir eða frávik.
- Ekki reyna að gera við CoolSeal™ rafall.
- Ef reynt er að gera við CoolSeal™ rafall brýtur það gegn skilyrðum vöruábyrgðarinnar.

Verklag:

SKRÁNING Á NIÐURSTÖÐUM:

1. Þú getur skráð niðurstöður eftirfarandi prófana á afrit af meðfylgjandi skrá. Eftir hvert skref hér að neðan skal skrá niðurstöðurnar í samsvarandi hluta eins og sjá má í **<RECORD RESULTS> (NIÐURSTÖÐUR FÆRSLU)**. Skráið tölugildi þar sem óskað er eftir slíku og merkið við **P** fyrir Tókst eða **F** fyrir Mistókst.

SKOÐUN:

1. Leitaðu að ytri skemmdum eða íhlutum sem vantar í eininguna, ekki ættu að finnast neinar skemmdir eða íhlutir sem vantar. **<RECORD RESULTS> (NIÐURSTÖÐUR FÆRSLU)**
2. Leitaðu að skemmdum á rafmagnssnúrunni, engar skemmdir ættu að finnast. **<RECORD RESULTS> (NIÐURSTÖÐUR FÆRSLU)**

GAUMLJÓS OG HLJÓÐVÍSAR:

1. Kveiktu á UUT og ýttu á aflhnappinn, aflhnappurinn ætti að loga GRÆNT og þriggja (3) tóna röð ætti að heyrast. Ef RAUÐUR aflhnappur logar sýnir það bilun í afli við sjálfsprófun. **<RECORD RESULTS> (NIÐURSTÖÐUR FÆRSLU)**
2. Skoðaðu snúru fyrir reglubundna prófun í íláti áhalds. Skjár fyrir ílát áhalds ætti að loga hvítur. **<RECORD RESULTS> (NIÐURSTÖÐUR FÆRSLU)**
3. Slökktu á UUT. Þrýstu og haltu inni virkjunarhnappinum. Kveiktu á á meðan þú heldur inni virkjunarhnappinum. Aflhnappurinn mun loga GRÆNN og þriggja (3) tóna röð ætti að heyrast, síðan annar tónn, síðan mun skjár fyrir ílát áhalds blikka GULBRÚNN. **<RECORD RESULTS> (NIÐURSTÖÐUR FÆRSLU)**
4. Fjarlægðu snúru fyrir virkniprófun, slökktu á UUT og kveiktu síðan aftur. Aflhnappurinn ætti að vera GRÆNN. Á meðan þrýst er á virkjunarhnappinn á snúru fyrir virkniprófun skal setja snúru fyrir reglubundna prófun í ílát áhalds. Einn tónn mun hljóma og síðan mun skjár fyrir ílát áhalds blikka GULBRÚNN. **<RECORD RESULTS> (NIÐURSTÖÐUR FÆRSLU)**
5. Slökktu á UUT og kveiktu síðan til að endurstilla frá fyrra skrefi. Stilltu rofann á snúrunni fyrir virkniprófun í „Opna“ stöðu og þrýstu og haltu inni virkjunarhnappinum. Virkjunarskjárinn mun í stutta stund blikka SKÆRRAUÐUR og hefja þéttitón, síðan mun GULBRÚNN skjár birtast í um 1 sekúndur og 3 tóna viðvörðun um grip hljóma. Þetta gæti hljómað eins og 4 tónar. **<RECORD RESULTS> (NIÐURSTÖÐUR FÆRSLU)**
6. Stilltu rofann á snúru fyrir virkniprófun í „Stutta“ stöðu. Þrýstu og haltu inni virkjunarhnappinum og staðfestu að virkjunarskjárinn logi SKÆRRAUÐUR og birtustigið sé mismunandi, frá slökkt í fullt stig með þéttitóni. Síðan birtist GULBRÚNN virkjunarskjár og 3 tóna viðvörðun. **<RECORD RESULTS> (NIÐURSTÖÐUR FÆRSLU)**
7. Á meðan rofinn á snúrunni fyrir virkniprófun er enn í „stuttri“ stöðu skal undirbúa tímamælingu með skeiðklukkunni frá því að þrýsta á virkjunarhnapp fram að GULBRÚNUM skjá. Þrýstu á virkjunarhnappinn, tímamældu stigið þar sem liturinn er SKÆRRAUÐUR (þétting). **<RECORD RESULTS> (NIÐURSTÖÐUR FÆRSLU)**
8. Á meðan rofinn á snúrunni fyrir virkniprófun er enn í „stuttri“ stöðu skal undirbúa það að snúa styrkhappinum þegar allt er SKÆRRAUTT (þéttistig). Þrýstu á virkjunarhnappinn, snúðu styrkhappinum að endum báðum megin, staðfestu breytingu á styrk á milli stigs fyrir lágmark og hámark. **<RECORD RESULTS> (NIÐURSTÖÐUR FÆRSLU)**
9. Fjarlægðu prófunarsnúruna, slökktu og taktu UUT úr sambandi.

PRÓFUN Á SAMFELLDNI JARÐAR:

1. Kveiktu á ESA
2. Tengdu rafmagnssnúru UUT við ESA
3. Tengdu prófunarleiðsluna við V/Ω/A tengið á ESA til að mæla Ohms (Ω).
4. Tengdu prófunarleiðsluna við jörð/núllpóst ESA.
5. Vertu viss um að ESA sé að mæla viðnám (Ω)
6. Núllstilltu ESA.
7. Festu prófunarleiðsluna við UUT spennujöfnunartengið.
8. Skráðu viðnámsgildið sem sést í gegnum rafmagnssnúruna og UUT. **<RECORD RESULTS> (NIÐURSTÖÐUR FÆRSLU)**
9. Aftengdu UUT frá ESA, slökktu á ESA.

LEKAPRÓFUN Á JÖRÐ

1. Kveiktu á ESA.
2. Tengdu rafmagnssnúru UUT við ESA.
3. Settu snúru fyrir virkniprófun í ílát áhalds.
4. Stilltu snúru fyrir virkniprófun við Venjulegt, staflaðu RAUÐUM og SVÖRTUM bananatengjum
5. Settu stöfluð tengi í RA/R (viðnám) tengi ESA
6. Notaðu Micro Amp stillinguna (μ A) og JÖRÐ, framkvæmdu eftirfarandi prófanir.
7. Venjulegt/lokað **<RECORD RESULTS> (NIÐURSTÖÐUR FÆRSLU)**
8. Venjulegt/opið **<RECORD RESULTS> (NIÐURSTÖÐUR FÆRSLU)**
9. Öfugt/opið **<RECORD RESULTS> (NIÐURSTÖÐUR FÆRSLU)**
10. Öfugt/lokað **<RECORD RESULTS> (NIÐURSTÖÐUR FÆRSLU)**
11. Fjarlægðu snúru fyrir virkniprófun og endurtaktu prófanirnar að ofan.
12. Venjulegt/lokað **<RECORD RESULTS> (NIÐURSTÖÐUR FÆRSLU)**
13. Venjulegt/opið **<RECORD RESULTS> (NIÐURSTÖÐUR FÆRSLU)**
14. Öfugt/opið **<RECORD RESULTS> (NIÐURSTÖÐUR FÆRSLU)**
15. Öfugt/lokað **<RECORD RESULTS> (NIÐURSTÖÐUR FÆRSLU)**
16. Aftengdu UUT frá ESA, slökktu á ESA.

VIÐNÁMSPRÓFUN

1. Kveiktu á ESuA
2. Kveiktu á UUT
3. Stilltu rofann á snúru virkniprófunar við Venjulegt
4. Settu RAUÐU og SVÖRTU tengin á snúru fyrir virkniprófun í samsvarandi ESuA VAR LOAD tengi.
5. Settu snúru fyrir virkniprófun í UUT
6. Staðfestu að aflhnappurinn sé GRÆNN og skjár fyrir ílát áhalds sé HVÍTUR áður en haldið er áfram.

Mikilvægt

CoolSeal™ rafall prófar ýmis konar aflúttak. Fyrsta virkjunin er við 25 vatta aflúttak, önnur virkjunin er við 35 vatta aflúttak og þriðja virkjunin er við 50 vatta aflúttak. Fjórða virkjunin hefur þessa röð að nýju. Til að endurræsa röðina frá þekktum upphafspunkti skal taka snúru fyrir virkniprófun úr sambandi og stinga henni aftur í samband.

Mikilvægt

Þegar snúru fyrir virkniprófun er notuð setur CoolSeal™ rafalseininguna í bilunarástand ef viðnámsálag breytist umtalsvert. Ólíklegt er að þetta muni eiga sér stað meðan á virkniprófinu stendur, en ef það myndi gerast skaltu slökkva á einingunni og kveikja aftur til að endurstilla hana.

7. Stilltu álag ESuA við 25 Ohms.
8. Hefðu prófunina í ESuA.
9. Þrýstu og haltu inni virkjunarhnappinum.
10. Við 25 Ohms, taktu eftir álestri hámarksafls sem nemur 25 vött. **<RECORD RESULTS> (NIÐURSTÖÐUR FÆRSLU)**
11. Þrýstu og haltu inni virkjunarhnappinum.
12. Við 25 Ohms, taktu eftir álestri hámarksafls sem nemur 35 vött. **<RECORD RESULTS> (NIÐURSTÖÐUR FÆRSLU)**
13. Þrýstu og haltu inni virkjunarhnappinum.

-
14. Við 25 Ohms, taktu eftir álestri hámarksafls sem nemur 50 vött. <RECORD RESULTS> (NIÐURSTÖÐUR FÆRSLU)
 15. Stöðvaðu prófunina á ESuA.
 16. Stilltu álag ESuA við 50 Ohms
 17. Hefðu prófunina í ESuA.
 18. Þrýstu og haltu inni virkjunarhnappinum.
 19. Við 50 Ohms, taktu eftir álestri hámarksafls sem nemur 25 vött. <RECORD RESULTS> (NIÐURSTÖÐUR FÆRSLU)
 20. Þrýstu og haltu inni virkjunarhnappinum.
 21. Við 50 Ohms, taktu eftir álestri hámarksafls sem nemur 35 vött. <RECORD RESULTS> (NIÐURSTÖÐUR FÆRSLU)
 22. Þrýstu og haltu inni virkjunarhnappinum.
 23. Við 50 Ohms, taktu eftir álestri hámarksafls sem nemur 50 vött. <RECORD RESULTS> (NIÐURSTÖÐUR FÆRSLU)
 24. Stöðvaðu prófunina á ESuA.
 25. Stilltu álag ESuA við 225 Ohms
 26. Hefðu prófunina í ESuA.
 27. Þrýstu og haltu inni virkjunarhnappinum.
 28. Við 225 Ohms, taktu eftir álestri hámarksafls sem nemur 25 vött. <RECORD RESULTS> (NIÐURSTÖÐUR FÆRSLU)
 29. Þrýstu og haltu inni virkjunarhnappinum.
 30. Við 225 Ohms, taktu eftir álestri hámarksafls sem nemur 35 vött. <RECORD RESULTS> (NIÐURSTÖÐUR FÆRSLU)
 31. Þrýstu og haltu inni virkjunarhnappinum.
 32. Við 225 Ohms, taktu eftir álestri hámarksafls sem nemur 50 vött. <RECORD RESULTS> (NIÐURSTÖÐUR FÆRSLU)
 33. Stöðvaðu prófunina á ESuA.
 34. Slökktu á öllu og aftengdu UUT frá prófunarbúnaðinum.

Yfirlitseyðublað fyrir reglubundna prófun á virkni

Yfirlitseyðublað fyrir reglubundna prófun á virkni, síða 1/2

Rafall SN: _____

Skref	PRÓFUN	KRÖFUR	Skrá gildi	Gera hring um Tókst/ Mistókst
Skoðun				
1	Ytri skoðun einingar	Engar skemmdir		P / F
2	Rafmagnssnúra	Engar skemmdir		P / F
Gaumljós og hljóðvísar				
1	Hefðbundin ræsing	GRÆNN aflhnappur og 3 tónar		P / F
2	Venjuleg ísetning áhalds	Hvítur skjár fyrir ílát		P / F
3	Hnappur fastur við ræsingu	1) GRÆNN aflhnappur og 3 tónar 2) 1 tónn síðan blikkar GULBRÚNT ílát		P / F
4	Hnappur fastur eftir ræsingu	1 tónn síðan blikkar GULBRÚNT ílát		P / F
5	Prófun á opinni rás	1) Stuttur SKÆRRAUÐUR skjár m/tón 2) GULBRÚNN skjár m/3 tóna viðvörun		P / F
6	Prófun á skammhlaupi	1) 4 sekúndu SKÆRRAUÐUR skjár m/tón 2) GULBRÚNN skjár m/3 tóna viðvörun		P / F
7	Tímamæling þéttingar	U.þ.b. 4 sekúndur með mismunandi SKÆRRAUÐUM SKJÁ	_____ sek	P / F
8	Styrkprófun	Styrkur breytist frá lág. til hám. Stig		P / F

Heiti prófunaraðila

Undirskrift

Dagsetning

Yfirlitseyðublað fyrir reglubundna prófun á virkni, síða 2/2

Rafall SN: _____

Skref	PRÓFUN	KRÖFUR	Skrá gildi	Gera hring um Tókst/ Mistókst
Prófun á samfelldni jarðtengingar				
8	Gildi fyrir samfelldni jarðtengingar	< 0,200 ohms	_____ ohms	P / F
Lekaprófun á jörð				
7	Venjulegt/lokað með snúru	< 0,500 μ A	_____ μ A	P / F
8	Venjulegt/opið með snúru		_____ μ A	P / F
9	Öfugt/opið með snúru		_____ μ A	P / F
10	Öfugt/lokað með snúru		_____ μ A	P / F
12	Venjulegt/lokað engin snúra		_____ μ A	P / F
13	Venjulegt/opið engin snúra		_____ μ A	P / F
14	Öfugt/opið engin snúra		_____ μ A	P / F
15	Öfugt/lokað engin snúra		_____ μ A	P / F
Viðnám				
10	Viðnám 25 Ω /afl 25 W	20 W – 30 W	_____ W	P / F
12	Viðnám 25 Ω /afl 35 W	28 W – 42 W	_____ W	P / F
14	Viðnám 25 Ω /afl 50 W	40 W – 60 W	_____ W	P / F
19	Viðnám 50 Ω /afl 25 W	20 W – 30 W	_____ W	P / F
21	Viðnám 50 Ω /afl 35 W	28 W – 42 W	_____ W	P / F
23	Viðnám 50 Ω /afl 50 W	40 W – 60 W	_____ W	P / F
28	Viðnám 225 Ω /afl 25 W	20 W – 30 W	_____ W	P / F
30	Viðnám 225 Ω /afl 35 W	28 W – 42 W	_____ W	P / F
32	Viðnám 225 Ω /afl 50 W	40 W – 60 W	_____ W	P / F

Heiti prófunaraðila

Undirskrift

Dagsetning

Ábyrgð

Bolder Surgical ábyrgist að allar vörur, sem framleiddar eru af fyrirtækinu, séu lausar við galla í efni og framleiðslu við venjulega notkun og þjónustu á tímabilinu sem er lýst hér að neðan. Eina skuldbinding Bolder Surgical og eina úrlausn viðskiptavinarins vegna hvers kyns brots á þessari ábyrgð er takmörkuð við viðgerðir eða endurnýjun, að eigin vali Bolder Surgical, á hverri vöru, eða hluta hennar, sem hefur verið skilað til fyrirtækisins eða dreifingaraðilans innan viðeigandi tímabils sem sýnt er hér að neðan eftir afhendingu vörunnar til upprunalega kaupandans og sú athugun sýnir, sem er fullnægjandi fyrir Bolder Surgical, að varan sé gölluð. Þessi ábyrgð gildir ekki um neina vöru, eða hluta hennar, sem hefur verið lagfærð eða breytt af öðrum en Bolder Surgical eða viðurkenndum fulltrúum fyrirtækisins, eða hefur verið beitt misnotkun, vanrækslu eða orðið fyrir slysi. Ábyrgðartímabil fyrir vörur Bolder Surgical er sem hér segir:

Vörutegund	Ábyrgðartímabil (tími eftir sendingu frá Bolder Surgical)
CoolSeal™ rafall	1 ár frá sendingardegi

NEMA HVAÐ VARÐAR TAKMARKAÐAR ÁBYRGÐIR HÉR AÐ OFAN VÍSAR BOLDER SURGICAL, AÐ ÞVÍ MARKI SEM LEYFILEGT ER SAMKVÆMT GILDANDI LÖGUM, FRÁ SÉR ALLRI ANNARRI ÁBYRGÐ, BEINNI, ÓBEINNI EÐA LÖGBUNDINNI, ÞAR Á MEÐAL EN EKKI TAKMARKAÐ VIÐ ÓBEINA ÁBYRGÐ HVAÐ VARÐAR SÖLUHÆFI OG EKKERT BROT.

ÞRÁTT FYRIR ÖNNUR ÁKVÆÐI HÉR EÐA Í NEINUM ÖÐRUM SKJÖLUM EÐA SAMSKIPTUM AÐ ÞVÍ GAGNSTÆÐA, UNDIR ENGUM KRINGUMSTÆÐUM ER BOLDER SURGICAL ÁBYRGT FYRIR TJÓNI HVAÐ VARÐAR HAGNAÐ EÐA TEKJUR, MISSI Á VÖRU, MISSI Á VÖRUNOTKUN, TRUFLUN Á REKSTRI EÐA SÉRSTÖKU, AFLEIDDU, ÓBEINU, REFSINGARTENGDU EÐA REFSIBÓTUM. HEILDARÁBYRGÐ BOLDER SURGICAL FYRIR ALLAR KRÖFUR SEM EIGA UPPRUNA SINN EÐA TENGJAST ÞESSUM SAMNINGI OG VÖRU SKAL VERA TAKMÖRKUÐ VIÐ ALMENNAR PENINGABÆTUR AÐ UPPHÆÐ SEM FER EKKI YFIR HEILDARKAUPVERÐ FYRIR VÖRUNA ER VARÐAR KRÖFUNA. Þessar takmarkanir og undantekningar eiga við án tillits til þess hvort krafa byggist á samningi, ábyrgð, skaðabótum, skaðabótaskyldu utan samnings (þ.m.t. vanrækslu), strangri ábyrgð eða á annan hátt. Bolder Surgical ábyrgist hvorki né heimilar neinum öðrum aðilum að axla fyrir fyrirtækið aðra ábyrgð í tengslum við sölu eða notkun á vörum Bolder Surgical.

Þessi ábyrgð og réttindi og skyldur hér að neðan skulu túlkuð samkvæmt lögum Colorado-ríkis í Bandaríkjunum. Sérhver málsókn eða lögsókn frá eða tengd þessari ábyrgð skal höfðuð eingöngu fyrir ríkis- eða alríkisdómstólum sem staðsettir eru í Boulder eða Denver, Colorado, Bandaríkjunum, og viðskiptavinur fellur hér með frá öllum rétti til að andmæla vettvangi slíkra dómstóla. Bolder Surgical, söluaðilar þess og fulltrúar áskilja sér rétt til að breyta eða endurhanna vörur sínar án nokkurrar skuldbindingar um að breyta eða skipta um vörur sem þeir hafa áður framleitt og/eða selt.

Sommario

Prefazione	308
Apparecchiatura descritta in questo manuale	308
Informazioni sui brevetti.....	308
Riconoscimenti dei marchi commerciali.....	308
Fabbricato da:.....	308
Per informazioni chiamare.....	308
Convenzioni utilizzate in questa guida	308
Capitolo 1. Panoramica e caratteristiche generali.....	309
Introduzione	309
Indicazioni per l'uso	309
Controindicazioni per l'uso	309
Pannello anteriore	310
Pannello posteriore	310
Vista dal basso	311
Elenco degli accessori	311
Strumenti di sintesi vascolare compatibili	311
Capitolo 2. Sicurezza del paziente e della sala operatoria.....	312
Avvertenze e precauzioni.....	312
Panoramica	312
Installazione in sicurezza del generatore.....	312
Compatibilità elettromagnetica	313
Rischio di incendio durante la chirurgia orofaringea.....	313
Pacemaker e defibrillatori cardiaci interni (ICD).....	313
Collegamento di uno strumento CoolSeal™	314
Pulizia del generatore CoolSeal™	314
Manutenzione del generatore CoolSeal™	314
Capitolo 3. Installazione e uso del generatore CoolSeal™	315
Disimballaggio del generatore CoolSeal™	315
Ispezione del generatore CoolSeal™	315
Sicurezza dell'installazione	315
Installazione del generatore CoolSeal™	316
Regolazione del volume	317

Collegamento di uno strumento CoolSeal™	317
Collegamento di uno strumento CoolSeal™ al generatore CoolSeal™	317
Attivazione di uno strumento CoolSeal™	317
Descrizioni delle condizioni di avviso.....	318
Capitolo 4. Dopo l'intervento chirurgico	321
Spegnimento del generatore CoolSeal™	321
Preparazione del generatore CoolSeal™ per il riutilizzo.....	321
Capitolo 5. Risoluzione dei problemi.....	322
Linee guida generali per la risoluzione dei problemi	322
Correzione dei malfunzionamenti	322
Risposta anomala del paziente:.....	322
Malfunzionamenti del generatore CoolSeal™ :.....	322
Potenziali interazioni con altri dispositivi:.....	324
Capitolo 6. Test funzionali periodici, manutenzione e assistenza.....	325
Responsabilità del fabbricante	325
Test funzionali periodici e manutenzione	325
Quando deve essere eseguito il test funzionale periodico?	325
Quando deve essere sostituito il cavo di alimentazione?.....	325
Quando devono essere sostituiti i fusibili?.....	325
Come si possono sostituire i fusibili?	325
Assistenza per il prodotto	326
Restituzione del generatore CoolSeal™ per l'assistenza.....	326
Aggiornamenti del software.....	326
Capitolo 7. Specifiche tecniche.....	327
Caratteristiche prestazionali	327
Generali	327
Dimensioni e peso.....	327
Parametri di funzionamento	327
Trasporto e stoccaggio	327
Memoria interna	327
Segnale acustico di attivazione.....	328
Segnali acustici di avviso	328
Potenza di ingresso.....	328
Specifiche del cavo di alimentazione.....	328

Specifiche tecniche	329
Frequenza di ingresso	329
Corrente di ingresso	329
Alimentazione di riserva	329
Collegamento equipotenziale	329
Ciclo di lavoro	329
Corrente di dispersione a bassa frequenza (50/60 Hz)	329
Norme e classificazioni IEC	329
Simboli	330
Classificazioni	331
Apparecchiatura di Classe I (IEC 60601-1)	331
Compatibilità elettromagnetica (IEC 60601-1-2)	331
Apparecchiatura di tipo CF (IEC 60601-1)	331
IP XX Ingresso/fuoriuscita di liquidi (IEC 60601-1 e IEC 60601-2-2)	331
Transitori di tensione – Trasferimento dell'alimentazione di rete della piattaforma energetica (IEC60601-1 e IEC60601-2-2)	331
Compatibilità elettromagnetica (IEC 60601-1-2 e IEC60601-2-2)	331
Caratteristiche di uscita	331
Uscita massima del generatore CoolSeal™	331
Immunità elettromagnetica	332
Appendice A – Test funzionali periodici	336
Definizioni:.....	336
Apparecchiature necessarie:	336
Criteri di superamento/non superamento:.....	336
Procedura:.....	337
Modulo di riepilogo dei test funzionali periodici.....	340
Garanzia	342

Prefazione

Questo manuale e l'apparecchiatura descritta sono destinati all'uso esclusivo da parte di professionisti del settore medico qualificati e addestrati nella particolare tecnica e procedura chirurgica da eseguire. È previsto come guida esclusivamente per l'uso del generatore CoolSeal™.

Apparecchiatura descritta in questo manuale

Generatore CoolSeal™ – CSL-200-50

Informazioni sui brevetti

<https://BolderSurgical.com/patents/>

Riconoscimenti dei marchi commerciali

Generatore CoolSeal™

Fabbricato da:



Bolder Surgical
331 S. 104th Street, Suite 200
Louisville, CO 80027, Stati Uniti
Fabbricato negli Stati Uniti
Tel.: +1866.683.1743
www.BolderSurgical.com

Rappresentante autorizzato:



Emergo Europe B.V.
Prinsessegracht 20
2514 AP The Hague
Paesi Bassi

Per informazioni chiamare

+1866.683.1743

Convenzioni utilizzate in questa guida

Avvertenza

Indica una situazione potenzialmente pericolosa che, se non evitata, può causare morte o lesioni gravi

Attenzione

Indica una situazione potenzialmente pericolosa che, se non evitata, può causare lesioni di lieve o moderata entità

Avviso

Indica un pericolo che può causare danni al prodotto.

Importante

Indica un consiglio sul funzionamento o un suggerimento per la manutenzione.

Capitolo 1. Panoramica e caratteristiche generali

Questa sezione include le seguenti informazioni:

- Introduzione
- Indicazioni per l'uso
- Controindicazioni per l'uso
- Pannello anteriore
- Pannello posteriore
- Vista dal basso
- Elenco degli accessori
- Strumenti di sintesi vascolare compatibili

Attenzione

Prima dell'uso leggere tutte le avvertenze, precauzioni e istruzioni fornite con il generatore. Le istruzioni specifiche per gli strumenti CoolSeal™ non sono incluse in questo manuale. Fare riferimento alle istruzioni per l'uso degli strumenti CoolSeal™ per le avvertenze, precauzioni e istruzioni per l'uso.

Le leggi federali degli Stati Uniti d'America limitano la vendita di questo dispositivo ai medici o su prescrizione medica.

Introduzione

Il generatore CoolSeal™ fornisce energia a radiofrequenza (RF) per applicazioni di sintesi vascolare.

Il generatore CoolSeal™ rileva automaticamente gli strumenti con codifica e configura il generatore CoolSeal™ di conseguenza. Le funzionalità di sicurezza e diagnostica includono funzioni automatiche di sicurezza.

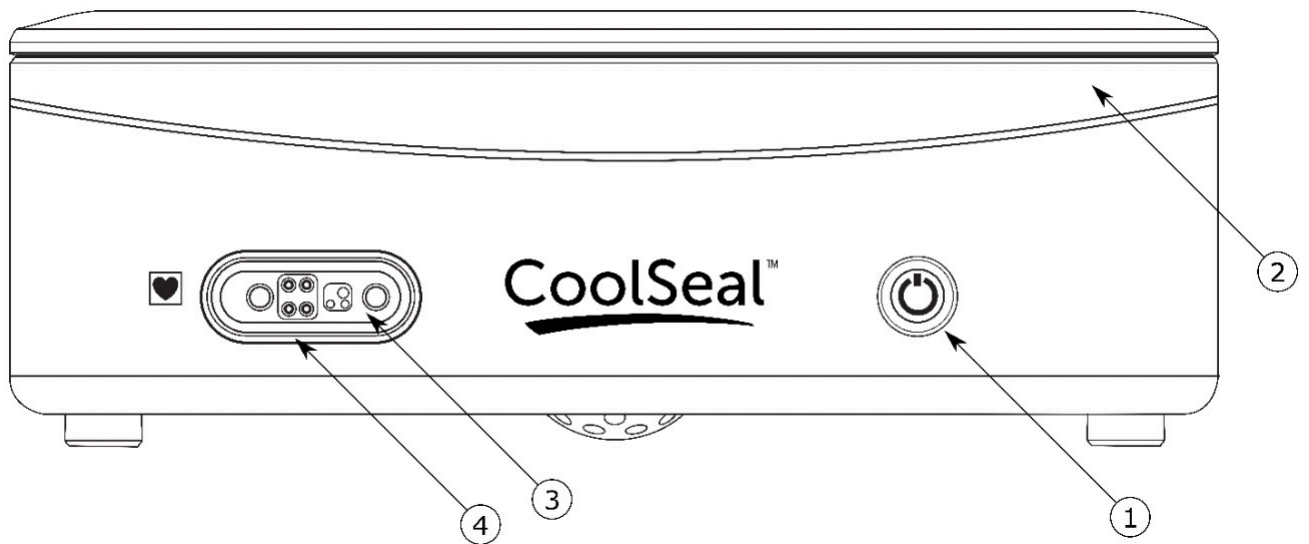
Indicazioni per l'uso

Il generatore CoolSeal™ è progettato per fornire energia a radiofrequenza (RF) agli strumenti CoolSeal™ compatibili per applicazioni di sintesi vascolare. L'applicazione specifica dipenderà dal dispositivo chirurgico compatibile collegato al generatore. Questo generatore è progettato per essere utilizzato esclusivamente con dispositivi chirurgici compatibili con la tecnologia CoolSeal™.

Controindicazioni per l'uso

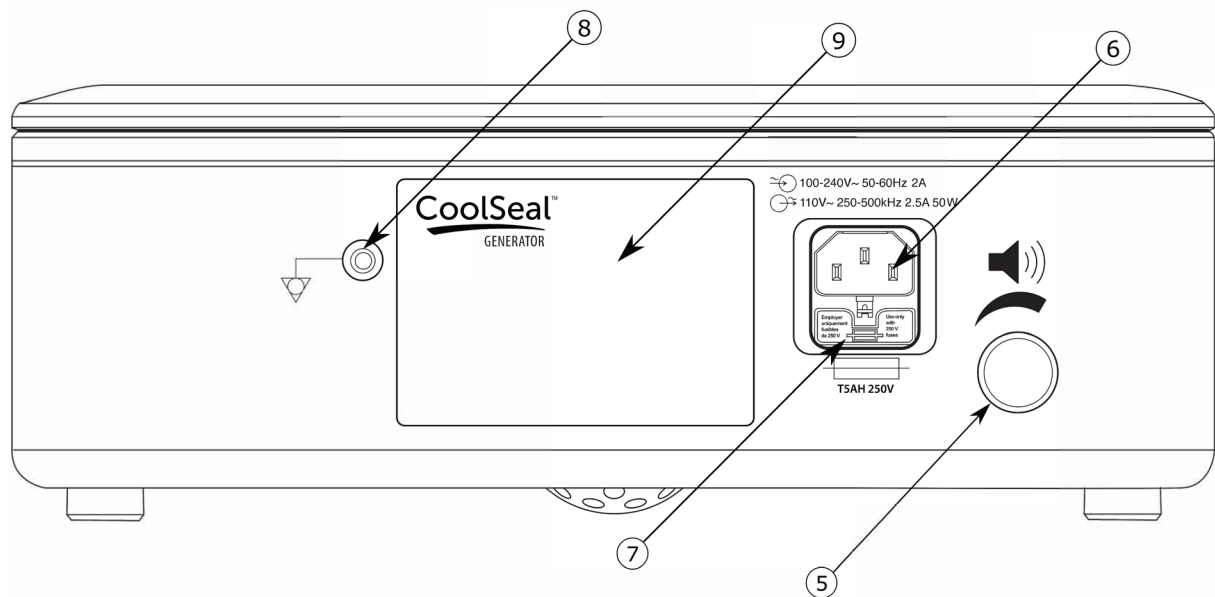
Nessuno noto specificamente per il generatore CoolSeal™.

Pannello anteriore



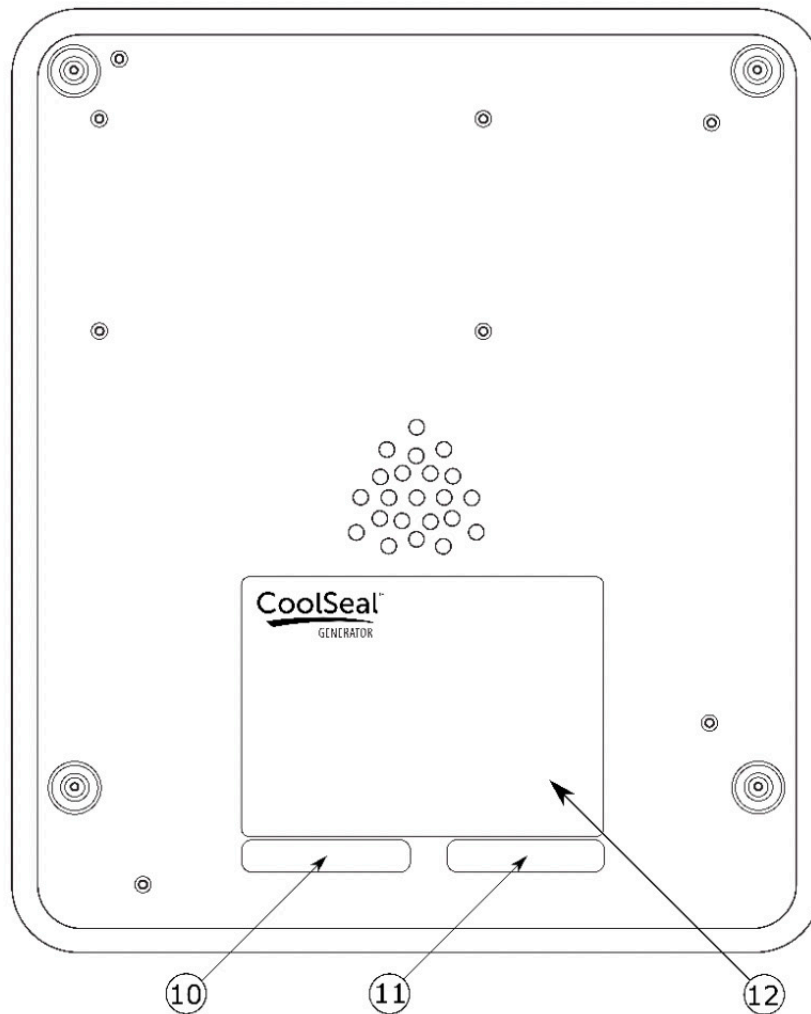
- (1) Pulsante di alimentazione illuminato
- (2) Indicatore di attivazione
- (3) Presa dello strumento CoolSeal™
- (4) Indicatore della presa dello strumento

Pannello posteriore



- (5) Controllo della regolazione del volume
- (6) Ingresso del cavo di alimentazione
- (7) Portafusibili
- (8) Connettore equipotenziale
- (9) Etichetta con avvertenze e precauzioni di sicurezza

Vista dal basso



- (10) Etichetta della data del test finale
- (11) Etichetta della versione del software
- (12) Etichetta delle informazioni sulla fabbricazione

Elenco degli accessori

Cavo di alimentazione - Specifico per gli Stati Uniti
Cavo per il test funzionale CSL-FTC (non incluso)

Strumenti di sintesi vascolare compatibili

Gli strumenti CoolSeal™ compatibili saranno dotati di connettori che corrispondono alla seguente illustrazione. Fare riferimento alle istruzioni per l'uso dello strumento CoolSeal™ per la compatibilità con la tecnologia CoolSeal™.



Capitolo 2. Sicurezza del paziente e della sala operatoria

L'uso sicuro ed efficace dell'elettrochirurgia si basa in gran parte su fattori che dipendono esclusivamente dal controllo dell'operatore. Un'équipe chirurgica attenta e con adeguato addestramento è insostituibile. È importante che le istruzioni per l'uso fornite con questa apparecchiatura o le apparecchiature elettrochirurgiche in generale siano lette, comprese e seguite. L'elettrochirurgia è stata utilizzata in modo sicuro in numerose procedure. Prima di iniziare qualsiasi procedura chirurgica, il chirurgo deve essere addestrato alla particolare tecnica e procedura chirurgica da eseguire, deve avere familiarità con la letteratura medica relativa alla procedura e alle potenziali complicanze e deve conoscere i rischi rispetto ai benefici dell'uso dell'elettrochirurgia nella procedura.

Per promuovere un uso sicuro del generatore CoolSeal™, questa sezione presenta le avvertenze e le precauzioni riportate nella presente guida per l'utente. È inoltre importante leggere, comprendere e seguire le istruzioni per l'uso dello strumento CoolSeal™.

Avvertenze e precauzioni

Panoramica

Attenzione
Prima dell'uso leggere tutte le avvertenze, precauzioni e istruzioni fornite con il generatore. Le istruzioni specifiche per gli strumenti CoolSeal™ non sono incluse in questo manuale. Fare riferimento alle istruzioni per l'uso degli strumenti CoolSeal™ per le avvertenze, precauzioni e istruzioni per l'uso.
Le leggi federali degli Stati Uniti d'America limitano la vendita di questo dispositivo ai medici o su prescrizione medica.

Installazione in sicurezza del generatore

Avvertenza
Rischio di scosse elettriche: Collegare il cavo di alimentazione del sistema a una presa di alimentazione dotata di adeguata messa a terra. Non utilizzare adattatori della spina di alimentazione.
Rischio di incendio: Non utilizzare prolunghie o prese multiple.
Sicurezza del paziente: Utilizzare il generatore CoolSeal™ solo se l'autoverifica all'accensione è stata completata come descritto in questo manuale; in caso contrario, potrebbero verificarsi valori di potenza in uscita inaccurati.
Questa apparecchiatura deve essere utilizzata esclusivamente da medici addestrati e abilitati. L'uso di questa apparecchiatura senza tale addestramento può causare gravi lesioni al paziente.
Il generatore CoolSeal™ è compatibile solo con strumenti CoolSeal™. Non è possibile utilizzare altri strumenti bipolari.
Non avvolgere i cavi dello strumento intorno a oggetti metallici. Ciò può causare correnti vaganti indotte che potrebbero causare scosse elettriche, incendi o lesioni al paziente o all'équipe chirurgica.
Rischio di scosse elettriche: Non collegare connettori dello strumento bagnati al generatore CoolSeal™. Assicurarsi che tutti gli strumenti e gli adattatori siano collegati correttamente.
Prima di ogni utilizzo, ispezionare il cavo dell'apparecchiatura per escludere la presenza di rotture, crepe, intaccature e altri danni. Non utilizzare se danneggiato. I cavi danneggiati dell'apparecchiatura possono causare lesioni o scosse elettriche al paziente o all'équipe chirurgica.

Attenzione

Impostare il controllo del volume del sistema a un livello che garantisca che i segnali acustici di attivazione siano udibili.

Non abbassare il segnale acustico di attivazione a un livello non udibile. Il segnale acustico di attivazione avvisa l'équipe chirurgica quando il generatore CoolSeal™ eroga energia RF.

Prima dell'uso, esaminare tutti gli strumenti e i collegamenti al sistema. Assicurarsi che gli strumenti funzionino come previsto. Un collegamento non corretto può causare archi, scintille, malfunzionamento degli strumenti o effetti chirurgici indesiderati.

Un generatore CoolSeal™ non funzionante può causare l'interruzione dell'intervento chirurgico. Deve essere disponibile un sistema di riserva.

L'uso di accoppiatori, ovvero di cavi di alimentazione diversi da quelli specificati, può causare un aumento delle emissioni o una diminuzione dell'immunità dell'apparecchiatura.

Mantenere la massima distanza possibile tra il generatore CoolSeal™ e altre apparecchiature elettroniche come i monitor. Non incrociare o raggruppare i cavi dei dispositivi elettronici. Questo generatore può causare interferenze con altre apparecchiature elettroniche. In caso di interferenze, riposizionare l'apparecchiatura.

Gli studi hanno dimostrato che i fumi generati durante le procedure elettrochirurgiche possono essere potenzialmente dannosi per i pazienti e l'équipe chirurgica. Questi studi raccomandano una ventilazione adeguata mediante l'uso di un aspiratore di fumi chirurgici o altri mezzi.¹

1. Department of Health and Human Services (Dipartimento della salute e dei servizi umani degli Stati Uniti) National Institute for Occupational Safety and Health (NIOSH) (Istituto nazionale per la sicurezza e la salute sul lavoro degli Stati Uniti). Control of Smoke from Laser/Electric Surgical Procedures. HAZARD CONTROLS, Pubblicazione N. 96-128, settembre 1996.

Compatibilità elettromagnetica

Avvertenza

Evitare l'uso di questa apparecchiatura in prossimità di altre apparecchiature o impilata su di esse, in quanto potrebbe verificarsi un funzionamento incorretto. Se tale uso fosse necessario, si dovrà monitorare questa e le altre apparecchiature per verificare che funzionino normalmente.

Le apparecchiature di comunicazione RF portatili non devono essere utilizzate a una distanza inferiore a 30 cm (12 pollici) da qualsiasi parte del generatore CoolSeal™, compresi i cavi specificati da Bolder Surgical. In caso contrario, potrebbe conseguire un peggioramento delle prestazioni di questa apparecchiatura.

Rischio di incendio durante la chirurgia orofaringea

Avvertenza

Per evitare perdite di ossigeno verificare che i tubi endotracheali siano privi di perdite e che la cuffia abbia una tenuta adeguata.

Pacemaker e defibrillatori cardiaci interni (ICD)

Avvertenza

NON UTILIZZARE in pazienti portatori di impianti elettronici come pacemaker cardiaci senza aver prima consultato un professionista qualificato (ad es. un cardiologo). È possibile che si verifichi una situazione di rischio a causa di un'interferenza con l'azione dell'impianto elettronico oppure di danni all'impianto.

Collegamento di uno strumento CoolSeal™

Avvertenza

Rischio di scosse elettriche

- Non collegare strumenti bagnati al generatore CoolSeal™.
- Assicurarsi che tutti gli strumenti siano collegati correttamente e che non vi sia metallo esposto nei punti di collegamento

Posizionare correttamente lo strumento nella presa. Un collegamento errato può causare l'attivazione accidentale dello strumento o altre condizioni potenzialmente pericolose. Seguire le istruzioni fornite con gli strumenti di sintesi vascolare CoolSeal™.

La presa dello strumento di questo sistema è progettata per collegare un solo strumento alla volta. Non tentare di collegare più di uno strumento alla volta a una determinata presa, poiché ciò potrebbe causare l'attivazione simultanea degli strumenti.

Attenzione

Prima di ogni utilizzo, ispezionare strumenti e cavi per escludere la presenza di rotture, crepe, intaccature e altri danni. Non utilizzare se danneggiato. Gli strumenti o i cavi danneggiati possono causare lesioni o scosse elettriche al paziente o all'équipe chirurgica.

Pulizia del generatore CoolSeal™

Avvertenza

Rischio di scosse elettriche

Spegnere e scollegare sempre il generatore CoolSeal™ prima di pulirlo.

Manutenzione del generatore CoolSeal™

Avvertenza

Rischio di scosse elettriche

Non rimuovere il coperchio del generatore CoolSeal™.

Non tentare di riparare il generatore CoolSeal™. Tutti gli interventi di assistenza e riparazione devono essere eseguiti da un tecnico Bolder Surgical™.

Attenzione

Il generatore CoolSeal™ non deve essere smaltito a fine vita insieme ad altri rifiuti. Per riciclare le apparecchiature da smaltire, ottenere le istruzioni da Bolder Surgical (chiamare il numero +1866.683.1743) o contattare il rappresentante di vendita di zona per discutere le soluzioni e i processi di smaltimento dei rifiuti locali. Il generatore CoolSeal™ pone rischi di smaltimento simili a quelli dei prodotti elettronici di consumo, come i computer. Il generatore CoolSeal™ non contiene sostanze radioattive, batterie o liquidi pericolosi che potrebbero fuoriuscire.

Capitolo 3. Installazione e uso del generatore CoolSeal™

In questo capitolo vengono trattati i seguenti argomenti:

- Disimballaggio del generatore CoolSeal™
- Ispezione del generatore CoolSeal™
- Sicurezza dell'installazione
- Installazione del generatore CoolSeal™
- Regolazione del volume dei segnali acustici di attivazione
- Collegamento di uno strumento CoolSeal™
- Attivazione dello strumento CoolSeal™
- Descrizioni delle condizioni di avviso

Attenzione

Prima dell'uso leggere tutte le avvertenze, precauzioni e istruzioni fornite con il generatore. Le istruzioni specifiche per gli strumenti CoolSeal™ non sono incluse in questo manuale. Fare riferimento alle istruzioni per l'uso degli strumenti CoolSeal™ per le avvertenze, precauzioni e istruzioni per l'uso.

Disimballaggio del generatore CoolSeal™

1. Rimuovere il generatore CoolSeal™ dalla scatola di spedizione e dal materiale di imballaggio.
2. Ispezionare il dispositivo per escludere la presenza di danni visibili.

Ispezione del generatore CoolSeal™

Prima di ogni utilizzo del generatore CoolSeal™, verificare che l'unità e tutti gli accessori siano in buone condizioni di funzionamento:

- Controllare che il generatore e tutti i suoi collegamenti non siano danneggiati.
- Ispezionare tutti i cavi e i connettori alla ricerca di eventuali segni di usura, danni e abrasioni.
- Controllare che non si verifichino errori quando si accende l'unità.

Sicurezza dell'installazione

Avvertenza

Rischio di scosse elettriche: Collegare il cavo di alimentazione del sistema a una presa di alimentazione dotata di adeguata messa a terra. Non utilizzare adattatori della spina di alimentazione.

Rischio di incendio: Non utilizzare prolunghe o prese multiple.

Sicurezza del paziente: Utilizzare il generatore CoolSeal™ solo se l'autoverifica all'accensione è stata completata come descritto in questo manuale; in caso contrario, potrebbero verificarsi valori di potenza in uscita inaccurati.

Questa apparecchiatura deve essere utilizzata esclusivamente da medici addestrati e abilitati. L'uso di questa apparecchiatura senza tale addestramento può causare gravi lesioni al paziente.

Il generatore CoolSeal™ è compatibile solo con strumenti CoolSeal™. Non è possibile utilizzare altri strumenti bipolari.

Non avvolgere i cavi dello strumento intorno a oggetti metallici. Ciò può causare correnti vaganti indotte che potrebbero causare scosse elettriche, incendi o lesioni al paziente o all'équipe chirurgica.

Rischio di scosse elettriche: Non collegare connettori dello strumento bagnati al generatore CoolSeal™. Assicurarsi che tutti gli strumenti e gli adattatori siano collegati correttamente.

Prima di ogni utilizzo, ispezionare il cavo dell'apparecchiatura per escludere la presenza di rotture, crepe, intaccature e altri danni. Non utilizzare se danneggiato. I cavi danneggiati dell'apparecchiatura possono causare lesioni o scosse elettriche al paziente o all'équipe chirurgica.

Attenzione

Impostare il controllo del volume del sistema a un livello che garantisca che i segnali acustici di attivazione siano udibili.

Non abbassare il segnale acustico di attivazione a un livello non udibile. Il segnale acustico di attivazione avvisa l'équipe chirurgica quando il generatore CoolSeal™ eroga energia RF.

Prima dell'uso, esaminare tutti gli strumenti e i collegamenti al sistema. Assicurarsi che gli strumenti funzionino come previsto. Un collegamento non corretto può causare archi, scintille, malfunzionamento degli strumenti o effetti chirurgici indesiderati.

Un generatore CoolSeal™ non funzionante può causare l'interruzione dell'intervento chirurgico. Deve essere disponibile un sistema di riserva.

L'uso di accoppiatori, ovvero di cavi di alimentazione diversi da quelli specificati, può causare un aumento delle emissioni o una diminuzione dell'immunità dell'apparecchiatura.

Mantenere la massima distanza possibile tra il generatore CoolSeal™ e altre apparecchiature elettroniche come i monitor. Non incrociare o raggruppare i cavi dei dispositivi elettronici. Questo generatore può causare interferenze con altre apparecchiature elettroniche. In caso di interferenze, riposizionare l'apparecchiatura.

Gli studi hanno dimostrato che i fumi generati durante le procedure elettrochirurgiche possono essere potenzialmente dannosi per i pazienti e l'équipe chirurgica. Questi studi raccomandano una ventilazione adeguata mediante l'uso di un aspiratore di fumi chirurgici o altri mezzi.¹

1. Department of Health and Human Services (Dipartimento della salute e dei servizi umani degli Stati Uniti) National Institute for Occupational Safety and Health (NIOSH) (Istituto nazionale per la sicurezza e la salute sul lavoro degli Stati Uniti). Control of Smoke from Laser/Electric Surgical Procedures. HAZARD CONTROLS, Pubblicazione N. 96-128, settembre 1996.

Installazione del generatore CoolSeal™

1. Posizionare il generatore CoolSeal™ su una superficie piana e stabile, come un tavolo, una piattaforma, un sistema con braccio o un carrello. Si consigliano carrelli con ruote non conduttive. Fare riferimento alle procedure della struttura sanitaria locale o alle normative locali.
2. Se richiesto dalle normative della struttura sanitaria o locali, collegare il connettore equipotenziale a un sistema di terra.
3. Collegare il cavo di alimentazione del sistema all'ingresso elettrico sul pannello posteriore.
4. Collegare il cavo di alimentazione del sistema a una presa a muro CA dotata di messa a terra.

Avviso

Non collegare il generatore CoolSeal™ a una presa multipla o a una prolunga.

Non posizionare il dispositivo in modo che sia difficile scollegare il cavo di alimentazione.

Importante

Se trasportato o conservato a temperature al di fuori dell'intervallo della temperatura di esercizio, attendere un'ora per consentire al generatore CoolSeal™ di raggiungere la temperatura di esercizio prima dell'uso.

Accendere il sistema premendo il pulsante di alimentazione () sulla parte anteriore dell'unità. Durante l'autoverifica all'accensione, osservare quanto segue:

- L'unità esegue l'autoverifica di avvio.
- Il pulsante di alimentazione si illumina di verde.
- Al termine dell'esito positivo dell'autoverifica vengono emessi tre (3) segnali acustici di avviso della durata di ½ secondo.

Avviso

Prima di collegare gli strumenti, verificare che il sistema abbia completato correttamente l'autoverifica di avvio.

Se l'unità non supera l'autoverifica di avvio:

- Il pulsante di alimentazione non si illumina o si illumina di rosso
- Dopo un'autoverifica non riuscita, viene emesso un (1) segnale acustico di avviso della durata di ½ secondo

Per ulteriori informazioni fare riferimento alle sezioni Condizioni di avviso o Risoluzione dei problemi

Regolazione del volume

Il volume dei segnali acustici di avviso e attivazione può essere regolato ruotando la manopola del volume sul pannello posteriore del generatore CoolSeal™.

Avviso

Il volume minimo dei segnali acustici di avviso sarà sempre più alto del segnale acustico di attivazione.

Collegamento di uno strumento CoolSeal™

Avvertenza

Rischio di scosse elettriche

- Non collegare strumenti bagnati al generatore CoolSeal™.
- Assicurarsi che tutti gli strumenti siano collegati correttamente e che non vi sia metallo esposto nei punti di collegamento.

Posizionare correttamente lo strumento nella presa. Un collegamento errato può causare l'attivazione accidentale dello strumento o altre condizioni potenzialmente pericolose. Seguire le istruzioni fornite con gli strumenti CoolSeal™ per il collegamento e l'uso appropriati.

La presa dello strumento di questo sistema è progettata per collegare un solo strumento alla volta. Non tentare di collegare più di uno strumento alla volta a una determinata presa, poiché ciò potrebbe causare l'attivazione simultanea degli strumenti.

Attenzione

Prima di ogni utilizzo, ispezionare strumenti e cavi per escludere la presenza di rotture, crepe, intaccature e altri danni. Non utilizzare se danneggiato. Gli strumenti o i cavi danneggiati possono causare lesioni o scosse elettriche al paziente o all'équipe chirurgica.

Collegamento di uno strumento CoolSeal™ al generatore CoolSeal™

1. Collegare uno strumento CoolSeal™ alla presa dello strumento sul pannello anteriore del generatore CoolSeal™.
2. Verificare il posizionamento e il collegamento corretti osservando se l'indicatore della presa dello strumento è illuminato di verde.

Se il generatore CoolSeal™ non riconosce lo strumento collegato, l'indicatore della presa dello strumento si illumina di rosso o non si illumina e viene emesso un singolo segnale acustico di avviso. Fare riferimento alle sezioni Condizioni di avviso o Risoluzione dei problemi.

Attivazione di uno strumento CoolSeal™

1. Attivare lo strumento CoolSeal™ secondo le istruzioni per l'uso dello strumento.
2. Durante l'attivazione dello strumento, osservare quanto segue:
 - L'indicatore di attivazione si illumina di blu e con intensità variabile per tutta la durata dell'erogazione di energia.
 - Durante l'erogazione di energia viene emesso un segnale acustico di attivazione continuo.
3. Una volta completato il ciclo di sintesi, osservare quanto segue:
 - Una volta completata la sintesi verrà emessa una sequenza di tre segnali acustici. Il pulsante di attivazione deve quindi essere rilasciato.
 - L'indicatore di attivazione sul pannello anteriore del generatore CoolSeal™ si illuminerà momentaneamente di blu.
 - L'indicatore di attivazione si spegnerà.

Fare riferimento alle sezioni Condizioni di avviso o Risoluzione dei problemi in caso di una condizione di avviso.

Descrizioni delle condizioni di avviso

Quando si verifica una condizione di avviso:

- Viene emesso un segnale acustico di avviso
- Uno degli indicatori del generatore CoolSeal™ si illumina di blu, giallo o rosso
- L'erogazione di energia verrà interrotta

L'energia sarà disponibile dopo la correzione della condizione di avviso. Fare riferimento alla seguente tabella per risolvere le condizioni di avviso:

Condizione di avviso:	Indicata da:	Cause:	Per risolvere:	
Sintesi completata	<ul style="list-style-type: none"> • Tre segnali acustici di avviso in sequenza • Arresto dell'erogazione di energia RF • L'indicatore di attivazione si illumina di blu per mezzo (0,5) secondo 	Sintesi del vaso riuscita.	Nessuno. Funzionamento normale.	
Sintesi riattivata/incompleta	<ul style="list-style-type: none"> • Un segnale acustico di avviso a tre impulsi • Arresto dell'erogazione di energia RF • L'indicatore di attivazione si illumina di giallo per un (1) secondo 	<p>Il tempo di sintesi supera cinque (5) secondi OPPURE L'utente ha aperto le ganasce dello strumento o rilasciato il pulsante di attivazione, provocando l'interruzione del ciclo di sintesi prima del completamento della sintesi OPPURE La corrente rimane al limite massimo di corrente per più di quattro (4) secondi: ciò indica che si è verificato un corto circuito elettrico tra le ganasce OPPURE Lo strumento è stato attivato a vuoto.</p>	<ol style="list-style-type: none"> 1. Rilasciare il pulsante di attivazione 2. Premere il pulsante di attivazione per riattivare il ciclo di sintesi senza riposizionare lo strumento 3. Aprire le ganasce dello strumento e verificare la buona riuscita della sintesi 4. Se possibile, riposizionare lo strumento e riafferrare il tessuto in un'altra posizione, quindi riattivare il ciclo di sintesi 5. Ispezionare visivamente la sintesi prima di tagliare 	
		Le possibili condizioni d'uso includono:		
		Presenza di un tessuto sottile o attivazione a vuoto.	Aprire le ganasce e confermare che una quantità sufficiente di tessuto si trovi all'interno delle ganasce. Se necessario, aumentare la quantità di tessuto e ripetere la procedura	
		Presenza di una quantità eccessiva di tessuto tra le ganasce.	Aprire le ganasce, ridurre la quantità di tessuto afferrato e riattivare il ciclo di sintesi	
		Presenza di un oggetto metallico.	Evitare di afferrare nelle ganasce dello strumento oggetti come graffette, clip o suture incapsulate	
		Attivazione in liquidi accumulati in eccesso intorno alla punta dello strumento.	<ol style="list-style-type: none"> 1. Ridurre al minimo o rimuovere i liquidi in eccesso 2. Riattivare il ciclo di sintesi senza riposizionare lo strumento 	
Eccessiva presenza di escara tissutale sulle punte degli elettrodi.	Utilizzare un tampone di garza bagnata per pulire le superfici e i bordi delle ganasce dello strumento.			

<p>Errore di sistema</p>	<ul style="list-style-type: none"> • Un segnale acustico di avviso a impulso singolo • L'erogazione di energia RF si interrompe, il pulsante di alimentazione resta illuminato di rosso 	<p>Il generatore non sta funzionando correttamente, non ha superato un'autoverifica interna.</p>	<ol style="list-style-type: none"> 1. Premere il pulsante di alimentazione per spegnere il generatore. 2. Attendere almeno 30 secondi 3. Premere il pulsante di alimentazione per accendere il generatore 4. Confermare che il pulsante di alimentazione sia illuminato di verde prima dell'uso. <p>Se l'errore di sistema si verifica di nuovo:</p> <ul style="list-style-type: none"> • non utilizzare il generatore. • utilizzare un generatore CoolSeal™ diverso o mezzi alternativi per completare la procedura. <p>Restituire il generatore malfunzionante come indicato nella sezione Assistenza per il prodotto di questa guida.</p>
<p>Errore dello strumento</p>	<ul style="list-style-type: none"> • Un segnale acustico di avviso a impulso singolo • L'indicatore della presa dello strumento si illumina di giallo e lampeggia continuamente • Il generatore non consente l'erogazione di energia RF 	<p>Il generatore non sta funzionando correttamente, non ha superato un'autoverifica interna.</p>	<ol style="list-style-type: none"> 1. Scollegare lo strumento dal generatore. 2. Assicurarsi che il pulsante di attivazione dello strumento non sia premuto. 3. Ricollegare lo strumento al generatore. 4. Verificare che l'indicatore della presa dello strumento si illumini di verde <p>Se l'errore dello strumento si verifica di nuovo:</p> <ul style="list-style-type: none"> • non utilizzare lo strumento • utilizzare un altro strumento CoolSeal™.
		<p>Le possibili condizioni d'uso includono:</p>	
		<p>Pressione involontaria del pulsante di attivazione dello strumento durante il collegamento dello strumento.</p>	<p>Rimuovere qualsiasi cosa che mantiene premuto il pulsante di attivazione dello strumento e ricollegare lo strumento.</p>
		<p>L'interruttore dello strumento non funziona correttamente.</p>	<p>Sostituire lo strumento.</p>

Strumento non valido	<ul style="list-style-type: none"> • Un segnale acustico di avviso a impulso singolo • L'indicatore della presa dello strumento si illumina e rimane rosso • Il generatore non consente l'erogazione di energia RF 	È stato collegato uno strumento inutilizzabile.	<ol style="list-style-type: none"> 1. Scollegare lo strumento dal generatore. 2. Assicurarsi che lo strumento sia compatibile con CoolSeal™ 3. Ricollegare lo strumento al generatore. 4. Confermare che l'indicatore della presa dello strumento si illumina di verde <p>Se l'errore dello strumento si verifica di nuovo:</p> <ul style="list-style-type: none"> • non utilizzare lo strumento • utilizzare uno strumento CoolSeal™ differente.
		Le possibili condizioni d'uso includono:	
		Lo strumento collegato non è compatibile con la tecnologia CoolSeal™.	Consultare le istruzioni per l'uso dello strumento per confermarne la compatibilità con la tecnologia CoolSeal™.
		Lo strumento collegato è stato utilizzato in precedenza.	Smaltire lo strumento.
Lo strumento non è utilizzabile con la versione del software.	<p>Verificare che la versione del software richiesta dallo strumento non sia superiore alla versione del software indicata sull'etichetta nella parte inferiore del generatore CoolSeal™.</p> <p>Per un aggiornamento del software, fare riferimento alla sezione Aggiornamento del software.</p>		

Capitolo 4. Dopo l'intervento chirurgico

In questo capitolo vengono trattati i seguenti argomenti:

- Spegnimento del generatore CoolSeal™
- Preparazione del generatore CoolSeal™ per il riutilizzo

Attenzione

Prima dell'uso leggere tutte le avvertenze, precauzioni e istruzioni fornite con il generatore. Le istruzioni specifiche per gli strumenti CoolSeal™ non sono incluse in questo manuale. Fare riferimento alle istruzioni per l'uso degli strumenti CoolSeal™ per le avvertenze, precauzioni e istruzioni per l'uso.

Spegnimento del generatore CoolSeal™

1. Spegnere il sistema premendo il pulsante di alimentazione () sulla parte anteriore dell'unità. Osservare quanto segue:
 - la spia del pulsante di alimentazione si spegne.

Se necessario, il generatore può essere spento scollegando il cavo di alimentazione dall'ingresso di alimentazione o dalla presa a muro.

Preparazione del generatore CoolSeal™ per il riutilizzo

Fase 1 – Scollegare gli strumenti CoolSeal™

1. Scollegare lo strumento dal pannello anteriore.
2. Smaltire lo strumento monouso in base alle procedure del proprio istituto.

Fase 2 – Pulire il generatore CoolSeal™

Avvertenza

Rischio di scosse elettriche

Spegnere e scollegare sempre il generatore CoolSeal™ prima di pulirlo.

Avviso

Quando possibile, pulire il generatore CoolSeal™ con agenti e disinfettanti non infiammabili. Non utilizzare detergenti abrasivi o composti disinfettanti, solventi o altri materiali che potrebbero graffiare i pannelli o danneggiare il generatore, come idrocarburi clorurati o altri solventi plastici.

- Spegnere il generatore e scollegare il cavo di alimentazione dalla presa a muro.
- Pulire accuratamente tutte le superfici del generatore e del cavo di alimentazione con una soluzione detergente delicata o un disinfettante e un panno umido. Se si utilizzano candeggianti a base di cloro, diluirli prima della pulizia.
- Seguire le procedure approvate dal proprio istituto o utilizzare procedure convalidate di controllo delle infezioni.
- Non immergere, sciacquare in modo aggressivo e non consentire l'ingresso di liquidi nel telaio.

Capitolo 5. Risoluzione dei problemi

In questo capitolo vengono trattati i seguenti argomenti:

- Linee guida generali per la risoluzione dei problemi
- Correzione dei malfunzionamenti

Attenzione

Prima dell'uso leggere tutte le avvertenze, precauzioni e istruzioni fornite con il generatore. Le istruzioni specifiche per gli strumenti CoolSeal™ non sono incluse in questo manuale. Fare riferimento alle istruzioni per l'uso degli strumenti CoolSeal™ per le avvertenze, precauzioni e istruzioni per l'uso.

Linee guida generali per la risoluzione dei problemi

In caso di malfunzionamento del generatore CoolSeal™, verificare la presenza di condizioni evidenti che potrebbero aver causato il problema:

- Verificare che tutti i cavi siano collegati e fissati correttamente.
- Controllare che il sistema non presenti segni visibili di danni fisici.
- Spegnerne il sistema e riaccenderlo.

Se il malfunzionamento persiste, il sistema potrebbe richiedere assistenza. Contattare il reparto di ingegneria biomedica della propria struttura, Bolder Surgical o il distributore autorizzato.

Se si verificano incidenti durante l'utilizzo del sistema CoolSeal™, gli utenti devono segnalare questi problemi direttamente a Bolder Surgical per telefono (+1866.683.1743) o via e-mail (complaints@boldersurg.com) e all'autorità competente locale.

Correzione dei malfunzionamenti

Se una soluzione non è immediatamente evidente, utilizzare la tabella seguente per identificare e correggere specifici malfunzionamenti. Dopo aver corretto il malfunzionamento, verificare che il sistema completi l'autoverifica come descritto nel capitolo Configurazione del sistema.

Risposta anomala del paziente:

Condizione:	Cause:	Per risolvere:
Stimolazione neuromuscolare anomala (interrompere immediatamente l'intervento chirurgico)	Scintille metallo-metallo	Controllare tutti i collegamenti al generatore CoolSeal™.
	Correnti di dispersione anomale da 50 Hz a 60 Hz	Utilizzare un generatore CoolSeal™ di riserva. Contattare il proprio reparto di ingegneria biomedica o un rappresentante dell'assistenza tecnica Bolder Surgical™ per assistenza.

Malfunzionamenti del generatore CoolSeal™:

Condizione:	Cause:	Per risolvere:
Il generatore CoolSeal™ non risponde quando è acceso	Cavo di alimentazione scollegato o presa a muro difettosa	Controllare i collegamenti del cavo di alimentazione (generatore CoolSeal™ e presa a muro). Collegare il cavo di alimentazione a una presa funzionale.
	Cavo di alimentazione difettoso	Sostituire il cavo di alimentazione.
	I fusibili sono saltati	Contattare il proprio reparto di ingegneria biomedica o un rappresentante dell'assistenza tecnica Bolder Surgical™ per assistenza.
	Malfunzionamento dei componenti interni	Utilizzare un generatore CoolSeal™ di riserva. Contattare il proprio reparto di ingegneria biomedica o un rappresentante dell'assistenza tecnica Bolder Surgical™ per assistenza.

Il sistema è acceso, ma non ha completato con successo l'autoverifica o ha smesso di funzionare durante l'uso – Viene emesso un segnale acustico a impulso singolo e il pulsante di alimentazione si illumina di rosso	Unità conservata in un luogo freddo	Attendere che l'unità raggiunga la temperatura ambiente.
	Malfunzionamento software ripristinabile	Utilizzare un generatore CoolSeal™ di riserva. Contattare il proprio reparto di ingegneria biomedica o un rappresentante dell'assistenza tecnica Bolder Surgical™ per assistenza.
	Malfunzionamento di componenti interni o malfunzionamento del software irreversibile	Malfunzionamento di componenti interni.
Il sistema è acceso, con un singolo segnale acustico e un indicatore giallo lampeggiante della presa dello strumento.	Sistema avviato con strumento difettoso inserito nella presa dello strumento	Scollegare lo strumento. Spegnere il generatore CoolSeal™. Accendere il generatore CoolSeal™.
	Strumento errato o scaduto	Collegare lo strumento. Sostituire lo strumento se continua a non funzionare correttamente.
	Guasto dello strumento	
Lo strumento CoolSeal™ non è utilizzabile con la versione del software	Chiedere al proprio reparto di ingegneria biomedica di verificare con il produttore del dispositivo. Per un aggiornamento del software, fare riferimento alla sezione Aggiornamento del software.	
Il sistema è acceso, il pulsante di alimentazione si illumina di verde quando si collega lo strumento, viene emesso un singolo segnale acustico e l'indicatore della presa dello strumento si illumina di rosso .	Riconoscimento dello strumento non riuscito a causa di una connessione intermittente	Rimuovere la spina dello strumento Reinserire saldamente lo strumento.
	Malfunzionamento software ripristinabile	Spegnere il sistema, quindi riaccenderlo.
	Malfunzionamento di componenti interni o malfunzionamento del software irreversibile	Utilizzare un generatore CoolSeal™ di riserva. Contattare il proprio reparto di ingegneria biomedica o un rappresentante dell'assistenza tecnica Bolder Surgical™ per assistenza.
Il generatore CoolSeal™ è acceso e lo strumento è attivato, ma il sistema non emette alcun segnale acustico e non si illumina l'indicatore di attivazione	È in corso una condizione di avviso	Fare riferimento alla sezione Condizioni di avviso.
	Il sistema non rileva lo strumento di sintesi vascolare	Inserire saldamente il connettore nella presa sul pannello anteriore del generatore CoolSeal™. Assicurarsi che l'indicatore della presa sia illuminato di verde per indicare che uno strumento CoolSeal™ è stato inserito correttamente e riconosciuto.
	Malfunzionamento di componenti interni o malfunzionamento del software irreversibile	Contattare il proprio reparto di ingegneria biomedica o un rappresentante dell'assistenza tecnica Bolder Surgical™ per assistenza.
Sintesi incompleta / Riattivare – Viene emesso un segnale acustico a tre impulsi , l'indicatore di attivazione si illumina di giallo sul pannello anteriore del generatore e l'uscita RF viene disabilitata	Il ciclo di sintesi era superiore a 5 secondi OPPURE L'interruttore manuale è stato rilasciato prima che il segnale acustico finale si attivasse	Per completare il ciclo di sintesi sono necessari ulteriore tempo ed energia. Riattivare il ciclo di sintesi senza rimuovere o riposizionare lo strumento. Ispezionare visivamente il punto di sintesi prima di tagliare.
	All'interno delle ganasce è stato afferrato del metallo o altro corpo estraneo	Evitare di afferrare nelle ganasce dello strumento oggetti come graffette, clip o suture incapsulate.
	Il tessuto afferrato all'interno delle ganasce è troppo sottile	Aprire le ganasce e confermare che una quantità sufficiente di tessuto si trovi all'interno delle ganasce. Se necessario, aumentare la quantità di tessuto e ripetere la procedura.
	Liquidi accumulati intorno alla punta dello strumento	Ridurre al minimo o rimuovere i liquidi in eccesso. Pulire le punte e le ganasce degli elettrodi con un tampone di garza bagnato.
	Lo strumento è stato attivato a vuoto	Rilasciare il pulsante di attivazione. Afferrare il tessuto e attivare il ciclo di sintesi.
Lo strumento è collegato ma la sintesi vascolare non si attiva	Lo strumento non è completamente inserito nella presa dello strumento	Scollegare lo strumento, ricollegarlo e attendere qualche istante.

Potenziali interazioni con altri dispositivi:

Condizione:	Cause:	Per risolvere:
Interferenza continua sul monitor	Malf funzionamento del monitor	Fare riferimento alle Istruzioni per l'uso del monitor per la risoluzione dei problemi.
	Collegamenti difettosi fra telaio e messa a terra	Controllare e correggere i collegamenti a terra del telaio del monitor e del generatore CoolSeal™. Controllare le altre apparecchiature elettriche nella stanza per verificare la presenza di eventuali collegamenti a terra difettosi.
	Le apparecchiature elettriche sono collegate a oggetti diversi piuttosto che a una messa a terra comune. Il generatore CoolSeal™ può rispondere alle differenze di tensione risultanti tra gli oggetti messi a terra.	Collegare tutte le apparecchiature elettriche all'alimentazione di rete nella stessa posizione. Contattare il proprio reparto di ingegneria biomedica o un rappresentante dell'assistenza tecnica Bolder Surgical™ per assistenza.
	Se l'interferenza continua quando il generatore CoolSeal™ viene attivato, il monitor sta rispondendo a frequenze radiate.	Chiedere al proprio reparto di ingegneria biomedica di verificare con il fabbricante del monitor. Alcuni produttori offrono filtri RF a induttanza da utilizzare nei cavi di collegamento per monitor. I filtri riducono le interferenze quando viene attivato il generatore CoolSeal™ e riducono al minimo la possibilità di ustioni elettrochirurgiche nel sito dell'elettrodo del monitor.
Interferenza del pacemaker	Connessioni intermittenti o scintille metallo-metallo	Monitorare sempre i pazienti con pacemaker durante l'intervento chirurgico e tenere a disposizione un defibrillatore.
Attivazione del defibrillatore cardiaco interno (ICD)	L'ICD viene attivato dal generatore CoolSeal™	Interrompere la procedura e contattare il fabbricante dell'ICD per istruzioni.
Interferenza con altri dispositivi solo quando il generatore CoolSeal™ è attivato	Incoerenze nei fili di messa a terra nella sala operatoria	Verificare che tutti i fili di messa a terra siano il più corti possibile e siano collegati allo stesso metallo collegato alla terra.
	Se l'interferenza continua quando il generatore CoolSeal™ viene attivato, il dispositivo sta rispondendo a frequenze radiate.	Chiedere al proprio reparto di ingegneria biomedica di verificare con il produttore del dispositivo.

Capitolo 6. Test funzionali periodici, manutenzione e assistenza

Questo capitolo presenta le seguenti informazioni:

- Responsabilità del fabbricante
- Test funzionali periodici e manutenzione
- Restituzione del generatore per l'assistenza
- Aggiornamenti del software

Attenzione

Prima dell'uso leggere tutte le avvertenze, precauzioni e istruzioni fornite con il generatore. Le istruzioni specifiche per gli strumenti CoolSeal™ non sono incluse in questo manuale. Fare riferimento alle istruzioni per l'uso degli strumenti CoolSeal™ per le avvertenze, precauzioni e istruzioni per l'uso.

Responsabilità del fabbricante

Bolder Surgical è responsabile della sicurezza, affidabilità e prestazioni del generatore CoolSeal™ solo se sono state soddisfatte tutte le seguenti condizioni:

- Vengono seguite le procedure di installazione e configurazione descritte in questo manuale.
- Le persone autorizzate da Bolder Surgical eseguono l'assemblaggio, si occupano del funzionamento, della regolazione, delle modifiche o riparazioni.
- L'installazione elettrica della sala pertinente è conforme alle normative locali e ai requisiti normativi, come IEC e BSI.
- L'apparecchiatura viene utilizzata in conformità alle istruzioni per l'uso di Bolder Surgical. Per informazioni sulla garanzia, fare riferimento alla sezione Garanzia del presente manuale.

Test funzionali periodici e manutenzione

Quando deve essere eseguito il test funzionale periodico?

Bolder Surgical raccomanda di eseguire un test funzionale periodico del generatore CoolSeal™ almeno una volta ogni due anni. Il test funzionale periodico deve essere eseguito solo da un tecnico biomedico qualificato oppure il generatore CoolSeal™ può essere restituito a Bolder Surgical o al suo distributore per il test funzionale periodico. Vedere l'Appendice A per istruzioni dettagliate sul test funzionale periodico.

Quando deve essere sostituito il cavo di alimentazione?

Sostituire il cavo di alimentazione se si riscontrano fili esposti, crepe, bordi sfrangiati o un connettore danneggiato.

Quando devono essere sostituiti i fusibili?

Il reparto di ingegneria biomedica dell'ospedale potrebbe occasionalmente dover sostituire i fusibili. I fusibili devono essere sostituiti quando saltano per proteggere il generatore CoolSeal™ o come specificato dal reparto di ingegneria biomedica ospedaliera per la manutenzione preventiva. Se si verificano ripetuti guasti ai fusibili in un breve periodo di tempo, non continuare a sostituire i fusibili e restituire il generatore CoolSeal™ per la manutenzione.

Come si possono sostituire i fusibili?

1. Spegner il generatore e scollegare il cavo di alimentazione dalla presa a muro.
2. Scollegare il cavo di alimentazione del sistema dall'ingresso elettrico sul pannello posteriore.
3. Sganciare il portafusibili da sotto l'ingresso elettrico.
4. Rimuovere entrambi i fusibili.
5. Procurarsi i fusibili del tipo indicato sull'etichetta posta sotto l'ingresso elettrico sul pannello posteriore.
6. Inserire entrambi i fusibili.
7. Inserire e bloccare in posizione il portafusibili.

Assistenza per il prodotto

Avvertenza

Rischio di scosse elettriche: Non rimuovere il coperchio del generatore CoolSeal™.

Non tentare di riparare il generatore CoolSeal™. Tutti gli interventi di assistenza e riparazione devono essere eseguiti da personale Bolder Surgical™.

Restituzione del generatore CoolSeal™ per l'assistenza

Prima di restituire il generatore CoolSeal™, contattare il proprio rappresentante di vendita Bolder Surgical™ per assistenza. Se viene indicato di spedire il generatore a Bolder Surgical, procedere come segue:

1. Contattare il Centro di assistenza clienti Bolder Surgical™ della propria zona per ottenere un numero di autorizzazione alla restituzione. Tenere a portata di mano le seguenti informazioni quando si chiama:
 - Nome dell'ospedale/della clinica/numero cliente
 - Il proprio numero di telefono
 - Dipartimento/indirizzo, città, stato e codice postale
 - Numero di modello
 - Numero di serie
 - Descrizione del problema
 - Tipo di assistenza, aggiornamento o riparazione da eseguire
2. Pulire il generatore CoolSeal™.
 - Vedere la sezione Pulizia sopra.
3. Spedire il generatore CoolSeal™.
 - Applicare un'etichetta al generatore che includa il numero di autorizzazione alla restituzione e le informazioni (ospedale, numero di telefono, ecc.) elencati nel passaggio 1.
 - Assicurarsi che il generatore sia completamente asciutto prima di imballarlo per la spedizione. Imballarlo nel contenitore di spedizione originale, se disponibile.
 - Spedire il generatore, prepagato, al centro di assistenza Bolder Surgical™.

Aggiornamenti del software

Il personale Bolder Surgical™ deve eseguire gli aggiornamenti del software. Per istruzioni, consultare *Restituzione del generatore CoolSeal™ per l'assistenza* (sopra).

Capitolo 7. Specifiche tecniche

Tutte le specifiche sono nominali e soggette a modifiche senza preavviso.

Una specifica indicata come "tipica" è entro $\pm 20\%$ di un valore dichiarato a temperatura ambiente (25 °C/77 °F) e a una tensione nominale di rete in ingresso.

Attenzione

Prima dell'uso leggere tutte le avvertenze, precauzioni e istruzioni fornite con il generatore. Le istruzioni specifiche per gli strumenti CoolSeal™ non sono incluse in questo manuale. Fare riferimento alle istruzioni per l'uso degli strumenti CoolSeal™ per le avvertenze, precauzioni e istruzioni per l'uso.

Caratteristiche prestazionali

Generali

Configurazione di uscita:	Uscita isolata
Raffreddamento:	Convezione naturale nell'ambiente
Indicatore:	Spie e interruttore di alimentazione
Porte per connettori:	Rilevamento del connettore con illuminazione LED
Montaggio:	Sistemi con braccio per sala operatoria Qualsiasi superficie stabile e piana, come un tavolo o il ripiano di un carrello

Dimensioni e peso

Larghezza:	30,5 cm (12 pollici)
Profondità:	38,1 cm (15 pollici)
Altezza:	10,9 cm (4,3 pollici)
Peso:	5,4 kg (12 libbre)

Parametri di funzionamento

Intervallo della temperatura ambiente:	da +10 °C a +35 °C
Umidità relativa:	dal 30% al 75% (senza condensa)
Pressione atmosferica:	da 67 kPa a 111 kPa
Tempo di riscaldamento:	Se trasportato o conservato a temperature al di fuori dell'intervallo della temperatura di esercizio, attendere un'ora per consentire al generatore CoolSeal™ di raggiungere la temperatura di esercizio prima dell'uso.

Trasporto e stoccaggio

Intervallo della temperatura ambiente:	da -20 °C a +60 °C
Umidità relativa:	da 0% a 90% (senza condensa)
Pressione atmosferica:	da 46 kPa a 111 kPa

Memoria interna

Non volatile:	RAM
Capacità di archiviazione:	La memoria può archiviare le informazioni degli ultimi 2000 cicli di sintesi. I dati non sono specifici del paziente e non sono accessibili all'utente.

Segnale acustico di attivazione

I livelli audio indicati di seguito si riferiscono ai segnali acustici di attivazione della sintesi alla distanza di un metro.

Volume (regolabile):	da 40 dBA a 80 dBA
Frequenza	
Sintesi CoolSeal™:	349,2 Hz
Durata:	Continua mentre il sistema eroga attivamente energia RF

Segnali acustici di avviso

Volume (regolabile):	da 65 dBA a 80 dBA
Frequenza	
Errore di sistema ed errore dello strumento:	Un segnale acustico a singolo impulso di 550 ms Alto = 2637 Hz, Basso = 440 Hz 550 ms
Sintesi completata:	Tre segnali acustici in sequenza 349,2 Hz, 392 Hz e 440 Hz Durata 75 ms, 150 ms e 300 ms
Sintesi riattivata/incompleta:	Tre impulsi di segnale acustico Alto = 2489 Hz, Basso = 349,2 Hz Impulsi da 80 ms, con pause di 100 ms

Potenza di ingresso

Potenza massima alla tensione di linea nominale: 110 W
Corrente di rete (massima) Inattivo: 250 mA Sintesi: 1 A
Intervallo della frequenza di rete (nominale): da 50 Hz a 60 Hz
Intervallo della tensione di rete (nominale): 100-240 V
Fusibili (2): Tipo T5 AH 250 V o equivalente, 5 mm x 20 mm 5 A, 250 V, ad azione lenta, alta capacità di interruzione
Ingresso di alimentazione: IEC 60320 C14

Specifiche del cavo di alimentazione

Questa unità è stata fornita dalla fabbrica con un cavo di alimentazione per uso ospedaliero da 110 V CA con una spina NEMA5-15. Quando si sostituisce il cavo di alimentazione CA in modo che corrisponda a un'altra configurazione per il collegamento alla rete, la configurazione di spina/cavo/presa sostituiva deve soddisfare o superare le seguenti specifiche:

100-120 V CA

Cavo:	SJT 18/3, codice colore IEC, lunghezza massima 3 m (10 piedi)
Spina:	Grado ospedaliero, soddisfa i requisiti del Paese
Minimo:	10 A - 125 V CA
Presse dell'unità:	IEC 60320 C13, minimo 10 A - 125 V CA

220-240 V CA

Cavo:	H05VVF3G1.0, lunghezza massima 3 m (10 piedi)
Spina:	Grado ospedaliero, soddisfa i requisiti del Paese
Minimo:	6 A - 250 V CA
Presse dell'unità:	IEC 60320 C13, minimo 6 A - 250 V CA

Specifiche tecniche

Frequenza di ingresso

Il generatore CoolSeal™ funziona secondo le specifiche a tutte le frequenze di rete in ingresso comprese tra 47 Hz e 63 Hz. L'utente non deve riconfigurare il generatore CoolSeal™ per frequenze di rete diverse.

Corrente di ingresso

Il generatore CoolSeal™ non assorbe più di 5 A a qualsiasi tensione di rete in ingresso.

Alimentazione di riserva

Il generatore CoolSeal™ conserva i dati di calibrazione e statistici quando è spento e scollegato. Il generatore CoolSeal™ funziona secondo le specifiche quando viene commutato su una rete alimentata da sistemi ospedalieri di riserva.

Collegamento equipotenziale

Sul retro del generatore CoolSeal™ è presente un connettore equipotenziale per consentire il collegamento di un conduttore di equalizzazione del potenziale, se necessario.

Ciclo di lavoro

Alle impostazioni di potenza massima e con condizioni di carico nominale, il generatore CoolSeal™ è in grado di funzionare con un ciclo di lavoro del 25%, definito come 5 secondi di erogazione RF attiva e 15 secondi di inattività.

Corrente di dispersione a bassa frequenza (50/60 Hz)

Conforme a IEC 60601-1, Ed. 3.1




Limiti a bassa frequenza:

Dispersione di terra:	5 mA Condizioni normali	10 mA Condizione di singolo guasto
Corrente di contatto:	100 µA Condizioni normali	500 µA Condizione di singolo guasto
Dispersione paziente: <i>(in base alla parte applicata di tipo CF)</i>	10 µA Condizioni normali	50 µA Condizione di singolo guasto (corrente CC o CA)
Dispersione del paziente con rete sulla parte applicata di tipo F: <i>(in base alla parte applicata di tipo CF)</i>		50 µA

Norme e classificazioni IEC

Il generatore CoolSeal™ soddisfa tutte le clausole pertinenti delle norme IEC 60601-1 Ed. 3.1, IEC 60601-1-2 Ed. 4.0 e IEC 60601-2-2 Ed. 6.0.

Simboli

	Consultare le istruzioni per l'uso		Ingresso alimentazione CA (rete)
	Avvertenza, elettricità Per ridurre il rischio di scosse elettriche, non rimuovere il coperchio. Rivolgersi al personale di assistenza qualificato.		Uscita alimentazione CA (RF)
	Numero di serie		Stand-by, accensione
	Mandatario dell'Unione europea		Limite di temperatura
	Numero di catalogo, riordine o riferimento		Limite di umidità
	Dispositivo medico		Limitazione della pressione atmosferica
	Fabbricante indicato		Mantenere asciutto
	Data di fabbricazione		Classificato in relazione a scosse elettriche, incendi e pericoli meccanici solo in conformità a IEC 60601-1 e CAN/CSA C22.2 N. 601.1.
	Il generatore è progettato per una parte applicata di tipo CF		Conforme ai requisiti FCC, parte 15.
	Equipotenzialità		Regolazione del volume per i segnali acustici di attivazione, ruotando in senso orario il volume aumenta
	Fusibile		Le apparecchiature non devono essere smaltite nella spazzatura

Classificazioni

Apparecchiatura di Classe I (IEC 60601-1)

Le parti conduttive accessibili non possono andare in tensione in caso di guasto di base dell'isolamento a causa del modo in cui sono collegate al conduttore di terra protettivo.

Compatibilità elettromagnetica (IEC 60601-1-2)

Il presente dispositivo è conforme alla parte 15 delle norme FCC (Commissione Federale per le Comunicazioni degli Stati Uniti). Il funzionamento è soggetto alle seguenti due condizioni:

- (1) Questo dispositivo non può causare interferenze dannose e
- (2) Questo dispositivo deve accettare qualsiasi interferenza, incluse interferenze che potrebbero causare un funzionamento indesiderato.

Apparecchiatura di tipo CF (IEC 60601-1)

Questo generatore fornisce un elevato grado di protezione contro le scosse elettriche, in particolare per quanto riguarda le correnti di dispersione consentite. Il dispositivo ha un'uscita isolata di tipo CF (flottante) e può essere utilizzato per procedure che coinvolgono il cuore.

IP XX Ingresso/fuoriuscita di liquidi (IEC 60601-1 e IEC 60601-2-2)

Il generatore CoolSeal™ è costruito in modo che la fuoriuscita di liquido durante l'uso normale non raggiunga l'isolamento elettrico o altri componenti che, se bagnati, potrebbero influire negativamente sulla sicurezza dell'apparecchiatura.

Transitori di tensione – Trasferimento dell'alimentazione di rete della piattaforma energetica (IEC60601-1 e IEC60601-2-2)

Il generatore CoolSeal™ continua a funzionare normalmente senza errori o guasti di sistema quando il trasferimento viene effettuato tra la rete CA e una sorgente di tensione della piattaforma di energia di emergenza. (IEC 60601-1-2)

Compatibilità elettromagnetica (IEC 60601-1-2 e IEC60601-2-2)

Il generatore CoolSeal™ è conforme alle specifiche IEC 60601-1-2 e 60601-2-2 relative alla compatibilità elettromagnetica.

Avvertenza

Evitare l'uso di questa apparecchiatura in prossimità di altre apparecchiature o impilata su di esse, in quanto potrebbe verificarsi un funzionamento incorretto. Se tale uso fosse necessario, si dovrà monitorare questa e le altre apparecchiature per verificare che funzionino normalmente.

Le apparecchiature di comunicazione RF portatili (comprese le periferiche quali cavi di antenne e antenne esterne) non devono essere utilizzate a una distanza inferiore a 30 cm (12 pollici) da qualsiasi parte del generatore CoolSeal™, compresi i cavi specificati da Bolder Surgical. In caso contrario, potrebbe conseguire un peggioramento delle prestazioni di questa apparecchiatura.

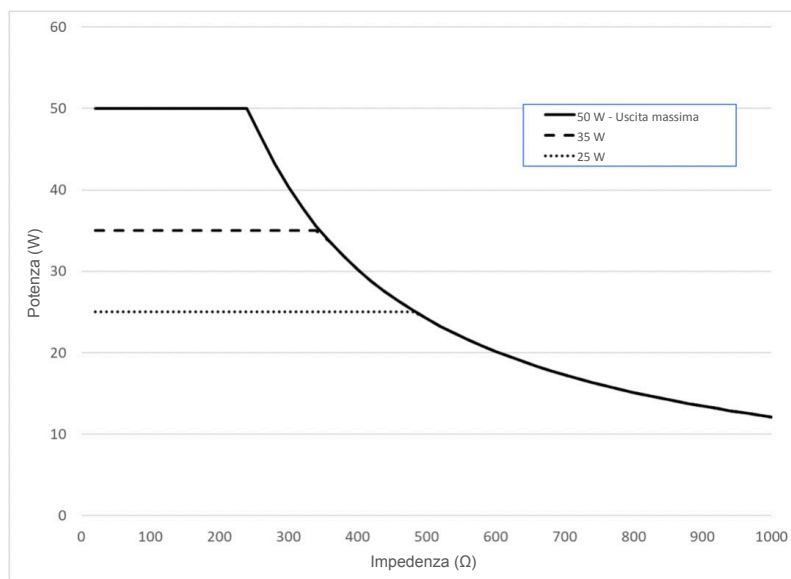
Caratteristiche di uscita

Uscita massima del generatore CoolSeal™

Le letture di potenza concordano con la potenza effettiva nel carico nominale entro il 20% o 5 watt, a seconda di quale sia maggiore.

Tensione di picco a circuito aperto (max)	Carico nominale	Potenza di uscita nominale (max)	Fattore di cresta	Ciclo di lavoro forma d'onda
190 V	20 Ω	50 W	1,9	100%

Grafico potenza di uscita vs. impedenza



Immunità elettromagnetica

Indicazioni e dichiarazione del fabbricante – Emissioni elettromagnetiche

L'uso del generatore CoolSeal™ è previsto nell'ambiente elettromagnetico specificato qui di seguito. Il cliente o l'utilizzatore del generatore CoolSeal™ deve assicurarsi che venga utilizzato in tale ambiente.

Emissioni RF CISPR 11	Gruppo 2	Il generatore CoolSeal™ deve emettere energia elettromagnetica per poter svolgere la funzione prevista. Le apparecchiature elettroniche nelle vicinanze potrebbero essere interessate.
Emissioni condotte EN 55011:2009+A1:2010, CISPR 11:2009+A1:2010	Classe A	
Emissioni radiate EN 55011:2009+A1:2010, CISPR 11:2009+A1:2010	Classe A	Il generatore CoolSeal™ è indicato per l'uso in ogni tipo d'ambiente, esclusi quelli domestici e quelli collegati direttamente alla rete pubblica a bassa tensione che alimenta gli edifici adibiti ad uso residenziale.
Emissioni armoniche IEC/EN 61000-3-2:2014	Dispositivo di Classe A	
Fluttuazioni di tensione/Emissioni di flicker IEC/EN 61000-3-3:2013	Secondo la Clausola 5 della norma	

La sicurezza di base secondo IEC 60601-1 è il requisito prestazionale utilizzato durante i test di immunità. Le prestazioni essenziali non sono applicabili.

Avviso

Le EMISSIONI caratteristiche di questa apparecchiatura la rendono adatta all'uso in aree industriali e ospedali (CISPR 11 classe A). Se viene utilizzata in un ambiente residenziale (per il quale è normalmente richiesto CISPR 11 classe B), questa apparecchiatura potrebbe non offrire una protezione adeguata ai servizi di comunicazione in radiofrequenza. L'utente potrebbe dover adottare misure di mitigazione, come il riposizionamento o il riorientamento dell'apparecchiatura.

Indicazioni e dichiarazione del fabbricante – Immunità elettromagnetica

L'uso del generatore CoolSeal™ è previsto nell'ambiente elettromagnetico specificato qui di seguito. Il cliente o l'utilizzatore del generatore CoolSeal™ deve assicurarsi che venga utilizzato in tale ambiente.

Test di immunità	Livello del test IEC 60601	± Livello di conformità	Ambiente elettromagnetico – Indicazioni
Scarica elettrostatica IEC/EN 61000-4-2	± 8 kV scarica a contatto ± 2, 4, 8 e 15 kV scarica in aria	± 8 kV scarica a contatto ± 2, 4, 8 e 15 kV scarica in aria	I pavimenti devono essere in legno, cemento o piastrelle in ceramica. Se i pavimenti sono coperti con materiale sintetico, l'umidità relativa deve essere almeno al 30%.
Immunità radiata IEC 61000-4-3:2006 + A1:2008 +A2:2010	80 MHz - 6 GHz 3 V/m 80% @ 1 kHz 28 V/m frequenze spot Modulazione a impulsi da 385 MHz a 2,7 GHz	80 MHz - 6 GHz 3 V/m 80% @ 1 kHz 28 V/m frequenze spot Modulazione a impulsi da 385 MHz a 2,7 GHz	Le apparecchiature di comunicazione in RF portatili e mobili non devono essere usate a una distanza da qualsiasi parte del generatore CoolSeal™ (inclusi i cavi) inferiore alla distanza di separazione consigliata calcolata mediante l'equazione applicabile alla frequenza del trasmettitore.
Campo di prossimità da apparecchiature di comunicazione RF wireless IEC 61000-4-3	Come da tabella 9 dello standard IEC 60601-1-2	Vedere la tabella alla pagina successiva degli intervalli di frequenza e delle condizioni di test per le apparecchiature di comunicazione wireless RF	Distanza di separazione consigliata $d = [2] \sqrt{P}$ in cui P è la potenza nominale massima in uscita del trasmettitore in watt (W) secondo il produttore del trasmettitore e d è la distanza di separazione raccomandata in metri (m). Le intensità dei campi da trasmettitori RF fissi, come determinato da un rilevamento elettromagnetico del sito ^a , devono essere inferiori al livello di conformità in ogni intervallo di frequenza ^b .
Immunità condotta (Alimentazione CA) (Linee I/O) IEC/EN 61000-4-6	0,15 - 80 MHz 3 Vrms e 6 Vrms in banda ISM 1 kHz Rete CA	0,15 - 80 MHz 3 Vrms e 6 Vrms in banda ISM 1 kHz Rete CA	Le bande ISM (industriali, scientifiche e mediche) comprese tra 0,15 MHz e 80 MHz vanno da 6,765 MHz a 6,795 MHz; da 13,553 MHz a 13,567 MHz; da 26,957 MHz a 27,283 MHz e da 40,66 MHz a 40,70 MHz.
Transitori elettrici rapidi (Alimentazione CA) IEC/EN 61000-4-4	± 2 kV rete di alimentazione CA ± 1 kV - linee I/O 5/50 5 kHz e 100 kHz	± 2 kV rete di alimentazione CA ± 1 kV - linee I/O 5/50 5 kHz e 100 kHz	La qualità dell'alimentazione di rete deve essere quella di un ambiente commerciale o ospedaliero tipico.
Sovratensione da linea a linea (Alimentazione CA) IEC/EN 61000-4-5	± 1 kV Da linea a linea Da linea a terra	± 1 kV Da linea a linea Da linea a terra	La qualità dell'alimentazione di rete deve essere quella di un ambiente commerciale o ospedaliero tipico.
Immunità magnetica IEC/EN-61000-4-8	30 A/m 50/60 Hz	30 A/m 50/60 Hz	I campi magnetici della frequenza di alimentazione devono essere ai livelli tipici di un ambiente commerciale od ospedaliero tipo.
Cadute e interruzioni di tensione IEC/EN 61000-4-11	0% UT per 0,5 cicli 0% UT per 1 ciclo 70% UT per 25 cicli 0% UT per 5 s	0% UT per 0,5 cicli 0% UT per 1 ciclo 70% UT per 25 cicli 0% UT per 5 s	Se l'utilizzatore del generatore CoolSeal™ ne richiede il funzionamento continuato durante eventuali interruzioni di corrente, si raccomanda di collegare il generatore CoolSeal a un gruppo di continuità (UPS) o a una batteria.

NOTA - Queste linee guida potrebbero non essere universalmente applicabili. La propagazione elettromagnetica è influenzata dall'assorbimento e dalla riflessione da parte di strutture, oggetti e persone.

^aNon è possibile prevedere teoricamente con precisione le intensità di campo dai trasmettitori fissi, quali stazioni base per telefoni a radiofrequenza (cellulari/cordless) e sistemi terrestri mobili di radiocomunicazione, sistemi per radioamatori, antenne radio AM ed FM e TV. Per valutare l'ambiente elettromagnetico dovuto a trasmettitori RF fissi, è necessario prendere in considerazione un'ispezione elettromagnetica del sito. Se l'intensità di campo misurata nel luogo in cui viene utilizzato il generatore CoolSeal™ è superiore al corrispondente livello di conformità RF (vedi sopra), è necessario osservare il funzionamento del generatore CoolSeal™ per accertarsi che operi correttamente. Se si osservano prestazioni anomale, potrebbe rendersi necessario adottare misure aggiuntive, come ad esempio riorientare o riposizionare il generatore CoolSeal™.

^bIn un intervallo di frequenze compreso tra 150 kHz e 80 MHz, le intensità di campo devono essere inferiori a 3 V/m.

Indicazioni e dichiarazione del fabbricante – Immunità elettromagnetica

Intervalli di frequenza e condizioni di test per apparecchiature di comunicazione RF wireless

Banda di frequenza (MHz)	Frequenza di prova (MHz)	Modulazione ^a	Livello di conformità (V/m)
380 - 390	380 - 390	Impulso – 18 Hz	27
430 - 470	450	Deviazione ±5 kHz 1 kHz sinusoidale	28
704 - 787	710	Impulso – 217 Hz	9
	745		
	780		
800 - 960	810	Impulso – 18 Hz	28
	870		
	930		
1700 - 1990	1720	Impulso – 217 Hz	28
	1845		
	1970		
2400 - 2570	2450	Impulso – 217 Hz	28
5100 - 5800	5240	Impulso – 217 Hz	9
	5500		
	5785		

^aLa modulazione a impulsi è definita come un ingresso a onda quadra con un ciclo di lavoro del 50% alla frequenza elencata.

NOTA - Le apparecchiature di comunicazione RF portatili non devono essere utilizzate a una distanza inferiore a 30 cm (12 pollici) da qualsiasi parte del generatore CoolSeal™, compresi i cavi specificati da Bolder Surgical. In caso contrario, potrebbe conseguire un peggioramento delle prestazioni di questa apparecchiatura.

Distanze di separazione consigliate tra apparecchiature di comunicazione RF portatili e mobili e il generatore CoolSeal™

Il generatore CoolSeal™ è destinato all'uso in un ambiente elettromagnetico con controllo delle interferenze a RF radiata. Il cliente o l'utente del generatore CoolSeal™ può contribuire a prevenire le interferenze elettromagnetiche mantenendo una distanza minima tra le apparecchiature di comunicazione RF portatili e mobili (trasmettitori) e il generatore CoolSeal™ come raccomandato di seguito, in base alla potenza di uscita massima delle apparecchiature di comunicazione.

Potenza di uscita massima nominale del trasmettitore	Distanza di separazione dal trasmettitore $d = [2] \sqrt{P}$
0,01	0,20
0,1	0,63
1	2,00
10	6,32
100	20,00

Per i trasmettitori con una potenza nominale massima erogata non elencata in precedenza, la distanza di separazione consigliata d in metri (m) può essere stimata utilizzando l'equazione applicabile alla frequenza del trasmettitore, in cui P è la potenza nominale massima del trasmettitore espressa in watt (W) in base a quanto dichiarato dal suo fabbricante.

NOTA - Queste linee guida potrebbero non essere universalmente applicabili. La propagazione elettromagnetica è influenzata dall'assorbimento e dalla riflessione da parte di strutture, oggetti e persone.

Appendice A – Test funzionali periodici

Lo scopo del test è confermare il corretto funzionamento del generatore CoolSeal™. Si raccomanda di eseguire questo test almeno ogni due anni per garantire che il corretto funzionamento sia mantenuto nel tempo. Fare riferimento all'etichetta della data del test finale per l'ultima data del test funzionale Bolder Surgical™. Questo test può essere utilizzato più frequentemente secondo quanto richiesto dalle norme ospedaliere.

Avvertenza

Non aprire l'involucro del generatore CoolSeal™. L'involucro non contiene elementi riparabili. Sono necessari ulteriori test per confermare che il funzionamento sicuro sia mantenuto una volta aperta l'involucro. Questo test è disponibile solo presso il centro di assistenza Bolder Surgical™. Il mancato rispetto di questa avvertenza può comportare un aumento del rischio di scosse elettriche.

Avviso

Il test funzionale CoolSeal™ deve essere condotto esclusivamente da personale qualificato.

Importante

Di seguito viene fornito un modulo opzionale per registrare i risultati del test funzionale periodico.

Avvertenza

Non tentare di utilizzare il cavo per il test funzionale per scopi diversi da quelli qui descritti. Non usare clinicamente.

Definizioni:

UUT – Unità in prova (Unit Under Test)

ESA – Analizzatore di sicurezza elettrica (Electrical Safety Analyzer)

ESuA – Analizzatore elettrochirurgico (Electro-Surgical Analyzer)

Apparecchiature necessarie:

UUT - Generatore CoolSeal™ – CSL-200-50

ESA - Analizzatore di sicurezza elettrica Fluke modello ESA612 (o equivalente)

ESuA - Analizzatore elettrochirurgico Fluke modello QA-E SII, QA-ES III (o equivalente)

Cavo per il test funzionale – CSL-FTC

Cronometro

Criteri di superamento/non superamento:

- Seguendo le istruzioni riportate di seguito si ottiene il risultato indicato, ripetere se non si ottiene questo risultato.
- Contattare Bolder Surgical per richiedere assistenza al fine di risolvere guasti o anomalie.
- Non tentare di riparare il generatore CoolSeal™.
- Il tentativo di riparare il generatore CoolSeal™ viola la garanzia del prodotto.

Procedura:

REGISTRAZIONE DEI RISULTATI:

1. È possibile registrare i risultati dei seguenti test su una copia del registro allegato. Dopo ogni passaggio riportato di seguito, registrare il risultato nella sezione corrispondente come indicato da **<RECORD RESULTS> (REGISTRA RISULTATI)**. Acquisire valori numerici dove indicato e cerchiare **P** per Pass (Superato) o **F** per Fail (Non superato).

ISPEZIONE:

1. Controllare che l'unità non presenti danni esterni o componenti mancanti; non devono essere rilevati danni o componenti mancanti. **<RECORD RESULTS> (REGISTRA RISULTATI)**
2. Ispezionare il cavo di alimentazione per escludere la presenza di danni; non devono essere rilevati danni. **<RECORD RESULTS> (REGISTRA RISULTATI)**

SPIE LUMINOSE E INDICATORI AUDIO:

1. Attivare l'alimentazione all'UUT e premere il pulsante di alimentazione; il pulsante di alimentazione dovrebbe illuminarsi di VERDE e dovrebbe essere emessa una sequenza di tre (3) segnali acustici. Un pulsante di alimentazione si illumina di ROSSO per indicare l'assenza di alimentazione all'autoverifica. **<RECORD RESULTS> (REGISTRA RISULTATI)**
2. Inserire il cavo per il test funzionale nella presa dello strumento; l'indicatore della presa dello strumento dovrebbe illuminarsi di bianco. **<RECORD RESULTS> (REGISTRA RISULTATI)**
3. Spegner l'unità UUT. Premere e tenere premuto il pulsante di attivazione. Accendere l'alimentazione tenendo premuto il pulsante di attivazione. Il pulsante di alimentazione si illumina di VERDE e si dovrebbe essere emessa una sequenza di tre (3) segnali acustici, seguita da un secondo segnale acustico; quindi l'indicatore della presa dello strumento lampeggerà di GIALLO. **<RECORD RESULTS> (REGISTRA RISULTATI)**
4. Rimuovere il cavo per il test funzionale e spegnere e riaccendere l'UUT. Il pulsante di alimentazione deve essere VERDE. Tenendo premuto il pulsante di attivazione sul cavo per il test funzionale, inserire il cavo per il test funzionale nella presa dello strumento. Viene emesso un segnale acustico singolo seguito dall'indicatore della presa dello strumento che lampeggia di GIALLO. **<RECORD RESULTS> (REGISTRA RISULTATI)**
5. Spegner e riaccendere l'UUT per ripristinare il valore dal passaggio precedente. Portare l'interruttore sul cavo per il test funzionale in posizione "Open" (Aperto) e tenere premuto il pulsante di attivazione. L'indicatore di attivazione si illumina momentaneamente di FUCSIA e avvierà il segnale acustico della sintesi, seguito da un indicatore illuminato di GIALLO di circa 1 secondo e dai tre segnali acustici di avviso di nuova presa. Potrebbe sembrare una sequenza di 4 segnali acustici. **<RECORD RESULTS> (REGISTRA RISULTATI)**
6. Impostare l'interruttore sul cavo per il test funzionale in posizione "Short" ("Corto"). Premere e tenere premuto il pulsante di attivazione e verificare che l'indicatore di attivazione sia illuminato di FUCSIA e che l'intensità vari da nessuna intensità a intensità piena con il segnale acustico della sintesi. Ciò sarà seguito da un indicatore di attivazione illuminato di GIALLO e da un avviso di 3 segnali acustici. **<RECORD RESULTS> (REGISTRA RISULTATI)**
7. Con l'interruttore del cavo per il test funzionale ancora in posizione "Short" ("Corto"), prepararsi a misurare il tempo con il cronometro dalla pressione del pulsante di attivazione fino a quando l'indicatore si illumina di GIALLO. Premere il pulsante di attivazione, cronometrando la fase FUCSIA (sintesi). **<RECORD RESULTS> (REGISTRA RISULTATI)**
8. Con l'interruttore del cavo per il test funzionale ancora in posizione "Short" ("Corto"), prepararsi a ruotare la manopola del volume durante la fase FUCSIA (fase di sintesi). Premere il pulsante di attivazione, ruotare la manopola del volume su ciascun valore estremo, confermando la variazione del volume tra i livelli minimo e massimo. **<RECORD RESULTS> (REGISTRA RISULTATI)**
9. Rimuovere il cavo per il test, spegnere e scollegare l'UUT.

TEST DI CONTINUITÀ DI TERRA:

1. Accendere l'ESA
2. Collegare il cavo di alimentazione dall'UUT all'ESA
3. Collegare il conduttore di prova al jack V/Ω/A dell'ESA per misurare gli ohm (Ω).
4. Collegare il conduttore di prova al polo di terra/nulla dell'ESA.
5. Assicurarsi che l'ESA misuri la resistenza (Ω)
6. Azzerare l'ESA.
7. Collegare il conduttore di prova al connettore equipotenziale UUT.
8. Registrare il valore di resistenza rilevato attraverso il cavo di alimentazione e l'UUT. **<RECORD RESULTS> (REGISTRA RISULTATI)**
9. Scollegare l'UUT dall'ESA, spegnere l'ESA.

TEST DI DISPERSIONE A TERRA

1. Accendere l'ESA.
2. Collegare il cavo di alimentazione dall'UUT all'ESA.
3. Inserire il cavo per il test funzionale nella presa dello strumento.
4. Impostare il cavo per il test funzionale su Normal (Normale), impilare gli spinotti a banana ROSSO e NERO
5. Inserire gli spinotti impilati nella porta RA/R (resistenza) dell'ESA
6. Utilizzando l'impostazione Micro Amp (μ A) e EARTH, procedere con la seguente serie di test.
7. Normale/Chiuso **<RECORD RESULTS> (REGISTRA RISULTATI)**
8. Normale/Aperto **<RECORD RESULTS> (REGISTRA RISULTATI)**
9. Inverti/Aperto **<RECORD RESULTS> (REGISTRA RISULTATI)**
10. Inverso/Chiuso **<RECORD RESULTS> (REGISTRA RISULTATI)**
11. Rimuovere il cavo per il test funzionale e ripetere la serie di test sopra indicata.
12. Normale/Chiuso **<RECORD RESULTS> (REGISTRA RISULTATI)**
13. Normale/Aperto **<RECORD RESULTS> (REGISTRA RISULTATI)**
14. Inverti/Aperto **<RECORD RESULTS> (REGISTRA RISULTATI)**
15. Inverso/Chiuso **<RECORD RESULTS> (REGISTRA RISULTATI)**
16. Scollegare l'UUT dall'ESA, spegnere l'ESA.

TESTER DI IMPEDENZA

1. Accendere l'ESuA
2. Accendere l'UUT
3. Impostare l'interruttore del cavo per il test funzionale su Normal (Normale)
4. Inserire gli spinotti ROSSO e NERO del cavo per il test funzionale nelle corrispondenti prese ESuA VAR LOAD.
5. Inserire il cavo per il test funzionale nell'UUT
6. Prima di continuare, verificare che il pulsante di alimentazione sia VERDE e che l'indicatore della presa dello strumento sia BIANCO.

Importante

Il generatore CoolSeal™ verifica un intervallo di uscite di potenza. La prima attivazione è a un'uscita di potenza di 25 watt, la seconda attivazione è a un'uscita di potenza di 35 watt e la terza attivazione è a un'uscita di potenza di 50 watt. La quarta attivazione ricomincia questa sequenza. Per riavviare la sequenza da un punto di partenza noto, è sufficiente scollegare il cavo per il test funzionale e reinserirlo.

Importante

Quando si utilizza il cavo per il test funzionale, il generatore CoolSeal™ metterà l'unità in stato di guasto se il carico resistivo cambia in modo significativo. È improbabile che ciò accada durante il test funzionale, ma se dovesse accadere, basta spegnere e riaccendere l'unità per reimpostarla.

7. Impostare il carico dell'ESuA su 25 ohm.
8. Avviare il test sull'ESuA.
9. Tenere premuto il pulsante di attivazione.
10. A 25 ohm, osservare la lettura della potenza massima a 25 watt. **<RECORD RESULTS> (REGISTRA RISULTATI)**
11. Tenere premuto il pulsante di attivazione.
12. A 25 ohm, osservare la lettura della potenza massima a 35 watt. **<RECORD RESULTS> (REGISTRA RISULTATI)**

-
13. Tenere premuto il pulsante di attivazione.
 14. A 25 ohm, osservare la lettura della potenza massima a 50 watt. **<RECORD RESULTS> (REGISTRA RISULTATI)**
 15. Interrompere il test sull'ESuA.
 16. Impostare il carico dell'ESuA su 50 ohm.
 17. Avviare il test sull'ESuA.
 18. Tenere premuto il pulsante di attivazione.
 19. A 50 ohm, osservare la lettura della potenza massima a 25 watt. **<RECORD RESULTS> (REGISTRA RISULTATI)**
 20. Tenere premuto il pulsante di attivazione.
 21. A 50 ohm, osservare la lettura della potenza massima a 35 watt. **<RECORD RESULTS> (REGISTRA RISULTATI)**
 22. Tenere premuto il pulsante di attivazione.
 23. A 50 ohm, osservare la lettura della potenza massima a 50 watt. **<RECORD RESULTS> (REGISTRA RISULTATI)**
 24. Interrompere il test sull'ESuA.
 25. Impostare il carico dell'ESuA su 225 ohm.
 26. Avviare il test sull'ESuA.
 27. Tenere premuto il pulsante di attivazione.
 28. A 225 ohm, osservare la lettura della potenza massima a 25 watt. **<RECORD RESULTS> (REGISTRA RISULTATI)**
 29. Tenere premuto il pulsante di attivazione.
 30. A 225 ohm, osservare la lettura della potenza massima a 35 watt. **<RECORD RESULTS> (REGISTRA RISULTATI)**
 31. Tenere premuto il pulsante di attivazione.
 32. A 225 ohm, osservare la lettura della potenza massima a 50 watt. **<RECORD RESULTS> (REGISTRA RISULTATI)**
 33. Interrompere il test sull'ESuA.
 34. Spegnerne tutto e scollegare l'UUT dall'apparecchiatura del test.

Modulo di riepilogo dei test funzionali periodici

Modulo di riepilogo dei test funzionali periodici Pagina 1/2

Numero di serie del generatore: _____

Passaggio	TEST	REQUISITO	Valori della registrazione	Cerchiare Pass/Fail (Passato/Non superato)
Ispezione				
1	Ispezione esterna unità	Nessun danno		P / F
2	Cavo di alimentazione	Nessun danno		P / F
Spie luminose e indicatori audio				
1	Accensione normale	Pulsante di alimentazione VERDE e 3 segnali acustici		P / F
2	Inserimento normale dello strumento	Indicatore della presa bianco		P / F
3	Pulsante bloccato durante l'accensione	1) Pulsante di alimentazione VERDE e 3 segnali acustici 2) 1 segnale acustico, poi presa lampeggiante GIALLA		P / F
4	Pulsante bloccato dopo l'accensione	1 segnale acustico, poi presa lampeggiante GIALLA		P / F
5	Prova circuito aperto	1) Indicatore FUCSIA per poco tempo con segnale acustico 2) Indicatore GIALLO con avviso a 3 segnali acustici		P / F
6	Test di cortocircuito	1) Indicatore FUCSIA per 4 secondi con segnale acustico 2) Indicatore GIALLO con avviso a 3 segnali acustici		P / F
7	Tempistica della sintesi	Circa 4 secondi di indicatore FUCSIA variabile	_____ s	P / F
8	Test del volume	Il volume varia tra Min. e Max. Livelli		P / F

Nome tester

Firma

Data

Modulo di riepilogo dei test funzionali periodici Pagina 2/2

Numero di serie del generatore: _____

Passaggio	TEST	REQUISITO	Valori della registrazione	Cerchiare Pass/Fail (Passato/Non superato)
Test di continuità a terra				
8	Valore di continuità a terra	< 0,200 ohm	_____ ohm	P / F
Test di dispersione a terra				
7	Normale/chiuso con cavo	< 0,500 μ A	_____ μ A	P / F
8	Normale/aperto con cavo		_____ μ A	P / F
9	Inverso/aperto con cavo		_____ μ A	P / F
10	Inverso/chiuso con cavo		_____ μ A	P / F
12	Normale/chiuso senza cavo		_____ μ A	P / F
13	Normale/aperto senza cavo		_____ μ A	P / F
14	Inverso/aperto senza cavo		_____ μ A	P / F
15	Inverso/chiuso senza cavo		_____ μ A	P / F
Impedenza				
10	Impedenza 25 Ω /Potenza 25 W	20 W – 30 W	_____ W	P / F
12	Impedenza 25 Ω /Potenza 35 W	28 W – 42 W	_____ W	P / F
14	Impedenza 25 Ω /Potenza 50 W	40 W – 60 W	_____ W	P / F
19	Impedenza 50 Ω /Potenza 25 W	20 W – 30 W	_____ W	P / F
21	Impedenza 50 Ω /Potenza 35 W	28 W – 42 W	_____ W	P / F
23	Impedenza 50 Ω /Potenza 50 W	40 W – 60 W	_____ W	P / F
28	Impedenza 225 Ω /Potenza 25 W	20 W – 30 W	_____ W	P / F
30	Impedenza 225 Ω /Potenza 35 W	28 W – 42 W	_____ W	P / F
32	Impedenza 225 Ω /Potenza 50 W	40 W – 60 W	_____ W	P / F

Nome tester _____

Firma _____

Data _____

Garanzia

Bolder Surgical garantisce che ciascun prodotto da esso fabbricato è privo di difetti di materiale e lavorazione in condizioni di normale utilizzo e manutenzione per il periodo o i periodi indicati di seguito. L'unico obbligo di Bolder Surgical e il rimedio esclusivo del cliente per qualsiasi violazione della presente garanzia è limitato alla riparazione o sostituzione, a esclusiva discrezione di Bolder Surgical, di qualsiasi prodotto, o parte di esso, che sia stato restituito a Bolder Surgical o al suo Distributore entro il periodo di tempo applicabile indicato di seguito dopo la consegna del prodotto all'acquirente originale, e che l'esame riveli, con soddisfazione di Bolder Surgical, essere un prodotto difettoso. La presente garanzia non si applica ad alcun prodotto, o parte di esso, che sia stato riparato o alterato da persone diverse da Bolder Surgical o dai suoi rappresentanti autorizzati, o che sia stato soggetto a uso improprio, negligenza o incidente. I periodi di garanzia per i prodotti Bolder Surgical sono i seguenti:

Tipo di prodotto	Periodo di garanzia (tempo successivo alla spedizione da parte di Bolder Surgical)
Generatore CoolSeal™	1 anno dalla data di spedizione

AD ECCEZIONE DELLE GARANZIE LIMITATE DI CUI SOPRA, BOLDER SURGICAL, NELLA MISURA CONSENTITA DALLA LEGGE APPLICABILE, ESCLUDE ESPRESSAMENTE TUTTE LE ALTRE GARANZIE, ESPLICITE, IMPLICITE O STATUTARIE INCLUSE, A TITOLO ESEMPLIFICATIVO MA NON ESAUSTIVO, LE GARANZIE IMPLICITE DI COMMERCIALIZZABILITÀ E NON VIOLAZIONE.

INDIPENDENTEMENTE DA QUALSIASI ALTRA DISPOSIZIONE QUIVI CONTENUTA O IN QUALSIASI ALTRO DOCUMENTO O COMUNICAZIONE CONTRARIA, BOLDER SURGICAL NON SARÀ IN NESSUN CASO RESPONSABILE PER LA PERDITA DI PROFITTI O RICAVI, PERDITA DEL PRODOTTO, PERDITA DI UTILIZZO DI PRODOTTI, INTERRUZIONE DELL'ATTIVITÀ O PER QUALSIASI DANNO SPECIALE, CONSEGUENZIALE, INCIDENTALE, INDIRECTO, PUNITIVO O ESEMPLARE. LA RESPONSABILITÀ TOTALE DI BOLDER SURGICAL PER TUTTE LE RIVENDICAZIONI DERIVANTI DA, O RELATIVE AL, PRESENTE CONTRATTO E QUALSIASI PRODOTTO SARÀ LIMITATA AI DANNI GENERALI IN DENARO PER UN IMPORTO NON SUPERIORE AL PREZZO DI ACQUISTO TOTALE PER IL PRODOTTO CHE HA DATO ORIGINE ALLA RIVENDICAZIONE. Tali limitazioni ed esclusioni si applicheranno indipendentemente dal fatto che una richiesta di risarcimento sia basata su contratto, garanzia, indennizzo, responsabilità extracontrattuale per illecito (inclusa la negligenza), responsabilità oggettiva o altro. Bolder Surgical non si assume né autorizza alcuna altra parte ad assumersi per suo conto qualsiasi altra responsabilità in relazione alla vendita o all'uso di qualsiasi prodotto Bolder Surgical.

La presente garanzia e i diritti e gli obblighi ivi previsti saranno interpretati e disciplinati dalle leggi dello Stato del Colorado, Stati Uniti. Qualsiasi azione legale o azione legale da o correlata alla presente garanzia sarà intentata esclusivamente presso i tribunali statali o federali situati a Boulder o Denver, Colorado, Stati Uniti, e il cliente rinuncia quivi a qualsiasi diritto di obiezione alla sede di tali tribunali. Bolder Surgical, i suoi rivenditori e rappresentanti si riservano il diritto di alterare, modificare o riprogettare i propri prodotti senza alcun obbligo di modificare o sostituire i prodotti precedentemente fabbricati e/o venduti da essi.

Inhoudsopgave

Voorwoord	346
Apparatuur die in deze handleiding wordt behandeld.....	346
Octrooigegevens:.....	346
Handelsmerkenverklaring.....	346
Vervaardigd door:.....	346
Bellen voor meer informatie.....	346
In deze handleiding gehanteerde conventies.....	346
Hoofdstuk 1. Overzicht en algemene functies	347
Inleiding	347
Indicatie voor gebruik	347
Contra-indicaties voor gebruik	347
Voorpaneel	348
Achterpaneel	348
Onderaanzicht.....	349
Lijst met accessoires.....	349
Compatibele vaatafdichtingsinstrumenten	349
Hoofdstuk 2. Veiligheid van patiënt en operatiekamer	350
Waarschuwingen en aandachtspunten	350
Overzicht	350
Veiligheid bij het opzetten van de generator.....	350
Elektromagnetische compatibiliteit	351
Brandgevaar tijdens orofaryngeale chirurgie	351
Pacemakers en ICD's	351
Een CoolSeal™-instrument aansluiten.....	352
De CoolSeal™-generator reinigen.....	352
Onderhoud aan de CoolSeal™-generator	352
Hoofdstuk 3. Installatie en gebruik van de CoolSeal™-generator	353
De CoolSeal™-generator uitpakken.....	353
De CoolSeal™-generator inspecteren	353
Veiligheid bij het opzetten	353
De CoolSeal™-generator opzetten.....	354
Het volume regelen	355

Een CoolSeal™-instrument aansluiten	355
Een CoolSeal™-instrument aansluiten op de CoolSeal™-generator.....	355
Een CoolSeal™-instrument activeren	355
Beschrijving van waarschuwingstoestanden	356
Hoofdstuk 4. Na de operatie.....	359
De CoolSeal™-generator uitschakelen.....	359
De CoolSeal™-generator gereedmaken voor hergebruik.....	359
Hoofdstuk 5. Problemen oplossen.....	360
Algemene richtlijnen voor probleemoplossing.....	360
Storingen verhelpen	360
Afwijkende respons van de patiënt.....	360
Storingen van de CoolSeal™-generator	361
Mogelijke interacties met andere apparaten	362
Hoofdstuk 6. Periodiek testen van de werking, onderhoud en reparaties.....	363
Verantwoordelijkheid van de fabrikant	363
Periodiek testen van de werking en onderhoud	363
Wanneer moeten periodieke werkingstests worden uitgevoerd?	363
Wanneer moet het netsnoer worden vervangen?.....	363
Wanneer moeten de zekeringen worden vervangen?.....	363
Hoe worden de zekeringen vervangen?	363
Reparatie van het product.....	364
De CoolSeal™-generator retourneren voor reparaties	364
Software-upgrades.....	364
Hoofdstuk 7. Technische specificaties	365
Prestatiekenmerken	365
Algemeen	365
Afmetingen en gewicht.....	365
Bedrijfsparameters.....	365
Vervoer en opslag	365
Intern geheugen	365
Activeringstoon.....	366
Waarschuwingstonen.....	366
Ingangsvermogen.....	366
Specificatie netsnoer.....	366

Technische specificaties	367
Ingangsfrequentie	367
Ingangsstroom	367
Back-upvoeding	367
Potentiaalvereffeningsaansluiting	367
Bedrijfscyclus.....	367
Lekstroom met lage frequentie (50/60 Hz)	367
Normen en IEC-classificaties	367
Symbolen	368
Classificaties	369
Apparatuur van klasse I (IEC 60601-1)	369
Elektromagnetische compatibiliteit (IEC 60601-1-2)	369
Apparatuur van type CF (IEC 60601-1).....	369
IP XX Binnendringende/gemorste vloeistof (IEC 60601-1 en IEC 60601-2-2).....	369
Spanningstransienten – Netvoedingsoverdracht energieplatform (IEC60601-1 en IEC 60601-2-2).....	369
Elektromagnetische compatibiliteit (IEC 60601-1-2 en IEC60601-2-2)	369
Uitgangskenmerken	369
Maximaal uitgangsvermogen voor de CoolSeal™-generator.....	369
Elektromagnetische immuniteit	370
Bijlage A – Periodieke test van de werking	374
Definities.....	374
Benodigheden:.....	374
Criteria voor geslaagd/mislukt:.....	374
Procedure:.....	375
Overzichtsformulier periodieke test van de werking	378
Garantie	380

Voorwoord

Deze handleiding en de apparatuur die erin wordt beschreven zijn uitsluitend bestemd voor gebruik door gekwalificeerde medische professionals die zijn opgeleid in de specifieke techniek en chirurgische procedure die moet worden uitgevoerd. De handleiding is uitsluitend bedoeld als richtlijn voor het gebruik van de CoolSeal™-generator.

Apparatuur die in deze handleiding wordt behandeld

CoolSeal™-generator – CSL-200-50

Octrooigegevens

<https://BolderSurgical.com/patents/>

Handelsmerkenverklaring

CoolSeal™-generator

Vervaardigd door:



Bolder Surgical
331 S. 104th Street, Suite 200
Louisville, CO 80027
Geproduceerd in de VS
Tel.: +1866.683.1743
www.BolderSurgical.com

Gemachtigde:



Emergo Europe B.V.
Prinsessegracht 20
2514 AP Den Haag
Nederland

Bellen voor meer informatie

+1866.683.1743

In deze handleiding gehanteerde conventies

Waarschuwing

Duidt op een mogelijk gevaarlijke situatie die, indien deze niet wordt vermeden, kan leiden tot ernstig of dodelijk letsel

Let op

Duidt op een mogelijk gevaarlijke situatie die, indien deze niet wordt vermeden, kan leiden tot licht of matig letsel

Opmerking

Duidt op een gevaar dat kan leiden tot beschadiging van het product.

Belangrijk

Duidt een bedieningstip of onderhoudssuggestie aan.

Hoofdstuk 1. Overzicht en algemene functies

Dit hoofdstuk bevat de volgende informatie:

- Inleiding
- Indicaties voor gebruik
- Contra-indicaties voor gebruik
- Voorpaneel
- Achterpaneel
- Onderaanzicht
- Lijst met accessoires
- Compatibele vaatafdichtingsinstrumenten

Let op

Lees vóór gebruik alle waarschuwingen, aandachtspunten en instructies die bij deze generator zijn verstrekt. Specifieke instructies voor CoolSeal™-instrumenten zijn niet opgenomen in deze handleiding. Raadpleeg de gebruiksaanwijzing van het CoolSeal™-instrument voor waarschuwingen, aandachtspunten en instructies voor het gebruik daarvan.

Krachtens de federale wetgeving van de Verenigde Staten mag dit hulpmiddel uitsluitend door of op voorschrift van een arts worden verkocht.

Inleiding

De CoolSeal™-generator levert radiofrequentie-energie (RF) voor vaatafdichtingstoepassingen.

De CoolSeal™-generator detecteert gecodeerde instrumenten automatisch en configureert de CoolSeal™-generator in overeenstemming daarmee. De veiligheids- en diagnosefuncties omvatten automatische failsafe-functies.

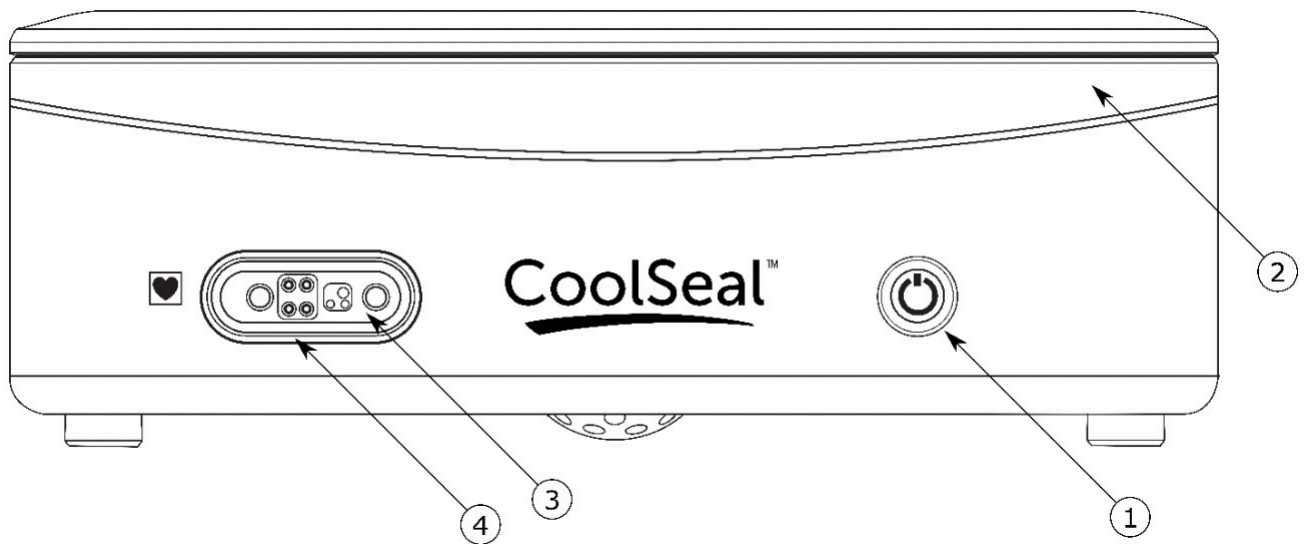
Indicatie voor gebruik

De CoolSeal™-generator is bestemd om radiofrequentie-energie (RF) te leveren aan compatibele CoolSeal™-instrumenten voor vaatafdichtingstoepassingen. De specifieke toepassing is afhankelijk van het compatibele chirurgische hulpmiddel dat op de generator wordt aangesloten. Deze generator is uitsluitend bestemd voor gebruik met chirurgische hulpmiddelen die compatibel zijn met de CoolSeal™-technologie.

Contra-indicaties voor gebruik

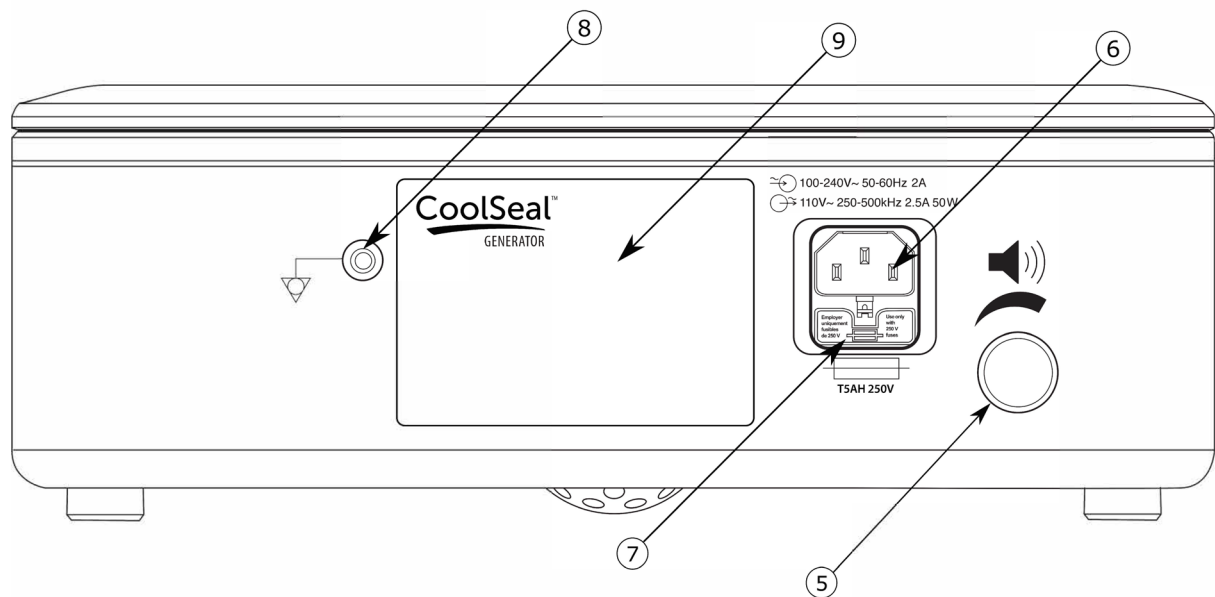
Geen specifiek bekend voor de CoolSeal™-generator.

Voorpaneel



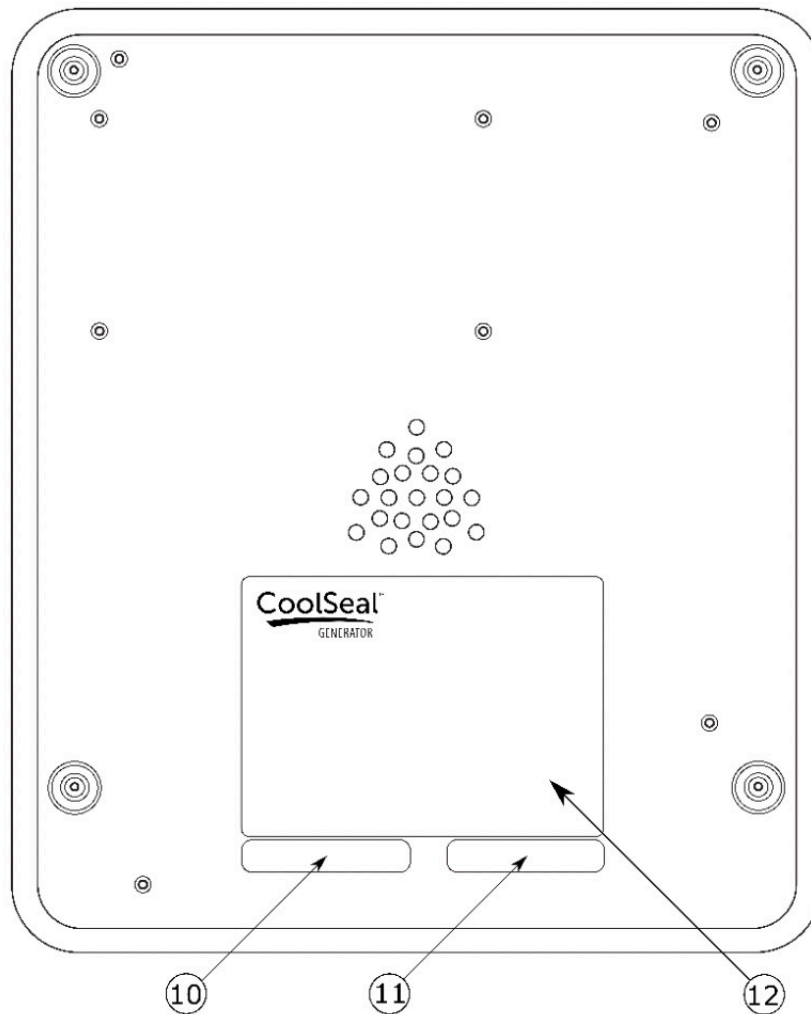
- (1) Verlichte aan/uit-knop
- (2) Activeringsindicator
- (3) Aansluiting voor CoolSeal™-instrument
- (4) Instrumentaansluitingsindicator

Achterpaneel



- (5) Volumeregeling
- (6) Netsnoeraansluiting
- (7) Zekeringlade
- (8) Potentiaalvereffeningsaansluiting
- (9) Label met veiligheidswaarschuwingen en aandachtspunten

Onderaanzicht



- (10) Label met laatste testdatum
- (11) Label met softwareversie
- (12) Label met productie-informatie

Lijst met accessoires

Netsnoer - specifiek voor de VS
CSL-FTC-werkingstestkabel (niet inbegrepen)

Compatibele vaatafdichtingsinstrumenten

Compatibele CoolSeal™-instrumenten hebben een stekker zoals in de volgende afbeelding.
Raadpleeg de gebruiksaanwijzing van het CoolSeal™-instrument voor de compatibiliteit met de CoolSeal™-technologie.



Hoofdstuk 2. Veiligheid van patiënt en operatiekamer

Het veilige en effectieve gebruik van elektrochirurgie hangt in grote mate af van factoren die uitsluitend onder de controle van de gebruiker vallen. Er is niets dat een goed opgeleid en oplettend operatieteam kan vervangen. Het is belangrijk dat de bedieningsinstructies die bij deze of andere elektrochirurgische apparatuur worden verstrekt, worden gelezen, begrepen en opgevolgd. Elektrochirurgie is veilig gebruikt bij talrijke ingrepen. Alvorens een chirurgische ingreep te starten, moet de chirurg zijn opgeleid in de specifieke techniek en chirurgische ingreep die gaat worden uitgevoerd, vertrouwd zijn met de medische literatuur met betrekking tot de ingreep en mogelijke complicaties en bekend zijn met risico's/voordelen van het gebruik van elektrochirurgie bij de ingreep.

Om een veilig gebruik van de CoolSeal™-generator te bevorderen, worden in dit hoofdstuk de waarschuwingen en aandachtspunten beschreven die ook elders in deze gebruikershandleiding zijn vermeld. Het is ook belangrijk dat u de gebruiksaanwijzing van het CoolSeal™-instrument leest, begrijpt en opvolgt.

Waarschuwingen en aandachtspunten

Overzicht

Let op
Lees vóór gebruik alle waarschuwingen, aandachtspunten en instructies die bij deze generator zijn verstrekt. Specifieke instructies voor CoolSeal™-instrumenten zijn niet opgenomen in deze handleiding. Raadpleeg de gebruiksaanwijzing van het CoolSeal™-instrument voor waarschuwingen, aandachtspunten en instructies voor het gebruik daarvan.
Krachtens de federale wetgeving van de Verenigde Staten mag dit hulpmiddel uitsluitend door of op voorschrift van een arts worden verkocht.

Veiligheid bij het opzetten van de generator

Waarschuwing
<u>Gevaar voor elektrische schokken:</u> Sluit het netsnoer van het systeem aan op een goed geaard stopcontact. Gebruik geen stekkeradapters.
<u>Brandgevaar:</u> Gebruik geen verlengsnoeren of stekkerdozen.
<u>Patiëntveiligheid:</u> Gebruik de CoolSeal™-generator alleen als de zelftest bij het inschakelen is voltooid zoals beschreven in deze handleiding, anders kunnen onnauwkeurige uitgangsvermogenswaarden het gevolg zijn.
Deze apparatuur is uitsluitend bestemd voor gebruik door opgeleide, bevoegde artsen. Gebruik van deze apparatuur zonder een dergelijke opleiding kan leiden tot ernstig letsel bij de patiënt.
De CoolSeal™-generator is uitsluitend compatibel met CoolSeal™-instrumenten. Er kunnen geen andere bipolaire instrumenten worden gebruikt.
Wikkel de instrumentkabels niet om metalen voorwerpen heen. Hierdoor kunnen lekstromen ontstaan die kunnen leiden tot schokken, brand of letsel bij de patiënt of het operatieteam.
<u>Gevaar voor elektrische schokken:</u> Sluit geen natte instrumentstekkers aan op de CoolSeal™-generator. Controleer of alle instrumenten en adapters correct zijn aangesloten.
Inspecteer de kabels van de apparatuur vóór elk gebruik op breuken, barsten, inkepingen en andere beschadigingen. Bij schade niet gebruiken. Beschadigde apparatuurkabels kunnen leiden tot letsel of elektrische schokken bij de patiënt of het operatieteam.

Let op

Stel de volumeregeling van het systeem in op een niveau waarbij de activeringstonen goed hoorbaar zijn.

Zet de activeringstoon niet op een onhoorbaar volume. De activeringstoon laat het operatieteam weten wanneer de CoolSeal™-generator RF-energie afgeeft.

Inspecteer vóór gebruik alle instrumenten en aansluitingen op het systeem. Controleer of de instrumenten naar behoren functioneren. Een onjuiste aansluiting kan leiden tot vlambogen, vonken, storingen in het instrument of onbedoelde chirurgische effecten.

Een niet-werkende CoolSeal™-generator kan onderbreking van de operatie veroorzaken. Er moet een back-upsysteem beschikbaar zijn voor gebruik.

Het gebruik van andere dan de gespecificeerde apparaatverbindingmiddelen, d.w.z. netsnoeren, kan leiden tot verhoogde emissies of verminderde immuniteit van de apparatuur.

Zorg voor zoveel mogelijk afstand tussen de CoolSeal™-generator en andere elektronische apparatuur, zoals monitors. Laat snoeren van elektronische apparaten elkaar niet kruisen en bundel ze niet samen. Deze generator kan interferentie veroorzaken in andere elektronische apparatuur. Als er interferentie optreedt, verplaatst u de apparatuur.

Onderzoek heeft uitgewezen dat rook die tijdens elektrochirurgische ingrepen wordt gegenereerd, potentieel schadelijk kan zijn voor patiënten en het operatieteam. In deze onderzoeken wordt aanbevolen om de rook afdoende af te voeren met behulp van een afzuigapparaat voor chirurgische rook of een andere methode.¹

1. U.S. Department of Health and Human Services. National Institute for Occupational Safety and Health (NIOSH). Control of Smoke from Laser/Electric Surgical Procedures. HAZARD CONTROLS, publicatiernr. 96-128, september 1996.

Elektromagnetische compatibiliteit

Waarschuwing

Gebruik van deze apparatuur direct naast, op of onder andere apparatuur kan het best worden vermeden, omdat dit kan leiden tot een onjuiste werking. Als een dergelijk gebruik onvermijdelijk is, moeten deze apparatuur en de andere apparatuur worden geobserveerd om te controleren of ze normaal werken.

Draagbare RF-communicatieapparatuur mag niet worden gebruikt op een afstand kleiner dan 30 cm (12 inch) van welk onderdeel van de CoolSeal™-generator dan ook, inclusief door Bolder Surgical gespecificeerde kabels. Anders kunnen de prestaties van deze apparatuur worden aangetast.

Brandgevaar tijdens orofaryngeale chirurgie

Waarschuwing

Controleer of tracheacanules vrij zijn van lekken en of de cuff goed afsluit, om zuurstoflekken te voorkomen.

Pacemakers en ICD's

Waarschuwing

NIET GEBRUIKEN bij patiënten met elektronische implantaten zoals pacemakers zonder eerst een gekwalificeerde professional (bijv. cardioloog) te raadplegen. Er bestaat een mogelijk gevaar omdat de werking van het elektronische implantaat kan worden verstoord of het implantaat beschadigd kan raken.

Een CoolSeal™-instrument aansluiten

Waarschuwing

Gevaar voor elektrische schokken

- Sluit geen natte instrumenten aan op de CoolSeal™-generator
- Zorg dat alle instrumenten correct worden aangesloten en dat er op geen van de aansluitpunten metaal blootligt

Sluit het instrument goed aan op de aansluiting. Onjuiste aansluiting kan leiden tot onbedoelde activering van het instrument of andere potentieel gevaarlijke omstandigheden. Volg de instructies verstrekt bij de CoolSeal™-vaatafdichtingsinstrumenten.

De instrumentaansluiting op dit systeem is ontworpen voor aansluiting van één instrument tegelijk. Probeer niet meer dan één instrument tegelijk aan te sluiten op een gegeven aansluiting. Als u dat wel doet, worden de instrumenten gelijktijdig geactiveerd.

Let op

Inspecteer instrumenten en kabels vóór elk gebruik op breuken, barsten, inkepingen en andere beschadigingen. Bij schade niet gebruiken. Beschadigde instrumenten of snoeren kunnen leiden tot letsel of elektrische schokken bij de patiënt of het operatieteam.

De CoolSeal™-generator reinigen

Waarschuwing

Gevaar voor elektrische schokken

Schakel de CoolSeal™-generator altijd uit en haal de stekker uit het stopcontact voordat u hem reinigt.

Onderhoud aan de CoolSeal™-generator

Waarschuwing

Gevaar voor elektrische schokken

Verwijder de afdekking van de CoolSeal™-generator niet.

Probeer geen onderhoud uit te voeren aan de CoolSeal™-generator. Alle onderhoud en reparaties moeten worden uitgevoerd door een monteur van Bolder Surgical™.

Let op

De CoolSeal™-generator mag aan het einde van de levensduur niet met ander afval worden afgevoerd. Voor de recycling van afgedankte apparatuur vraagt u Bolder Surgical om instructies (bel +1866.683.1743) of neemt u contact op met de plaatselijke vertegenwoordiger om de plaatselijke afvalverwijderingsoplossingen en -processen te bespreken. De CoolSeal™-generator vormt een risico bij de afvoer, vergelijkbaar met consumentenelektronica zoals computers. De CoolSeal™-generator bevat geen radioactieve stoffen, batterijen of gevaarlijke vloeistoffen die kunnen lekken.

Hoofdstuk 3. Installatie en gebruik van de CoolSeal™-generator

In dit hoofdstuk worden de volgende onderwerpen besproken:

- De CoolSeal™-generator uitpakken
- De CoolSeal™-generator inspecteren
- Veiligheid bij het opzetten
- De CoolSeal™-generator opzetten
- Het volume van activeringstonen afstellen
- Een CoolSeal™-instrument aansluiten
- Het CoolSeal™-instrument activeren
- Beschrijving van waarschuwingstoestanden

Let op

Lees vóór gebruik alle waarschuwingen, aandachtspunten en instructies die bij deze generator zijn verstrekt. Specifieke instructies voor CoolSeal™-instrumenten zijn niet opgenomen in deze handleiding. Raadpleeg de gebruiksaanwijzing van het CoolSeal™-instrument voor waarschuwingen, aandachtspunten en instructies voor het gebruik daarvan.

De CoolSeal™-generator uitpakken

1. Haal de CoolSeal™-generator uit de verzendoos en uit het verpakkingsmateriaal.
2. Inspecteer het apparaat op zichtbare schade.

De CoolSeal™-generator inspecteren

Controleer vóór elk gebruik van de CoolSeal™-generator of het apparaat en alle accessoires goed werken:

- Inspecteer de generator en alle aansluitingen op schade.
- Inspecteer alle kabels en stekkers op slijtage, schade en schuurplekken.
- Controleer of er geen fouten optreden wanneer u het apparaat aanzet.

Veiligheid bij het opzetten

Waarschuwing

Gevaar voor elektrische schokken: Sluit het netsnoer van het systeem aan op een goed geaard stopcontact. Gebruik geen stekkeradapters.

Brandgevaar: Gebruik geen verlengsnoeren of stekkerdozen.

Patiëntveiligheid: Gebruik de CoolSeal™-generator alleen als de zelftest bij het inschakelen is voltooid zoals beschreven in deze handleiding, anders kunnen onnauwkeurige uitgangsvermogenswaarden het gevolg zijn.

Deze apparatuur is uitsluitend bestemd voor gebruik door opgeleide, bevoegde artsen. Gebruik van deze apparatuur zonder een dergelijke opleiding kan leiden tot ernstig letsel bij de patiënt.

De CoolSeal™-generator is uitsluitend compatibel met CoolSeal™-instrumenten. Er kunnen geen andere bipolaire instrumenten worden gebruikt.

Wikkel de instrumentkabels niet om metalen voorwerpen heen. Hierdoor kunnen lekstromen ontstaan die kunnen leiden tot schokken, brand of letsel bij de patiënt of het operatieteam.

Gevaar voor elektrische schokken: Sluit geen natte instrumentstekkers aan op de CoolSeal™-generator. Controleer of alle instrumenten en adapters correct zijn aangesloten.

Inspecteer de kabels van de apparatuur vóór elk gebruik op breuken, barsten, inkepingen en andere beschadigingen. Bij schade niet gebruiken. Beschadigde apparatuurkabels kunnen leiden tot letsel of elektrische schokken bij de patiënt of het operatieteam.

Let op

Stel de volumeregeling van het systeem in op een niveau waarbij de activeringstonen goed hoorbaar zijn.

Zet de activeringstoon niet op een onhoorbaar volume. De activeringstoon laat het operatieteam weten wanneer de CoolSeal™-generator RF-energie afgeeft.

Inspecteer vóór gebruik alle instrumenten en aansluitingen op het systeem. Controleer of de instrumenten naar behoren functioneren. Een onjuiste aansluiting kan leiden tot vlambogen, vonken, storingen in het instrument of onbedoelde chirurgische effecten.

Een niet-werkende CoolSeal™-generator kan onderbreking van de operatie veroorzaken. Er moet een back-upsysteem beschikbaar zijn voor gebruik.

Het gebruik van andere dan de gespecificeerde apparaatverbindingmiddelen, d.w.z. netsnoeren, kan leiden tot verhoogde emissies of verminderde immuniteit van de apparatuur.

Zorg voor zoveel mogelijk afstand tussen de CoolSeal™-generator en andere elektronische apparatuur, zoals monitors. Laat snoeren van elektronische apparaten elkaar niet kruisen en bundel ze niet samen. Deze generator kan interferentie veroorzaken in andere elektronische apparatuur. Als er interferentie optreedt, verplaatst u de apparatuur.

Onderzoek heeft uitgewezen dat rook die tijdens elektrochirurgische ingrepen wordt gegenereerd, potentieel schadelijk kan zijn voor patiënten en het operatieteam. In deze onderzoeken wordt aanbevolen om de rook afdoende af te voeren met behulp van een afzuigapparaat voor chirurgische rook of een andere methode.¹

1. U.S. Department of Health and Human Services. National Institute for Occupational Safety and Health (NIOSH). Control of Smoke from Laser/Electric Surgical Procedures. HAZARD CONTROLS, publicatienr. 96-128, september 1996.

De CoolSeal™-generator opzetten

1. Plaats de CoolSeal™-generator op een vlakke, stabiele ondergrond, zoals een tafel, platform, armsysteem of wagen. Een wagen met niet-geleidende wielen wordt aanbevolen. Raadpleeg de procedures van uw instelling of de plaatselijke voorschriften.
2. Sluit de potentiaalvereffeningsaansluiting aan op een aardingsbron, indien voorgeschreven door de instelling of de plaatselijke voorschriften.
3. Sluit het netsnoer van het systeem aan op de voedingsaansluiting op het achterpaneel.
4. Sluit het netsnoer van het systeem aan op een geaard wandstopcontact.

Opmerking

Sluit de CoolSeal™-generator niet aan op een stekkerdoos of verlengsnoer.

Plaats het apparaat niet zodanig dat het netsnoer moeilijk kan worden losgekoppeld.

Belangrijk

Bij vervoer of opslag bij temperaturen buiten het bedrijfstemperatuurbereik moet u de CoolSeal™-generator vóór gebruik een uur de tijd geven om op de bedrijfstemperatuur te komen.

Schakel het systeem in door op de stand-byknop () op de voorkant van het apparaat te drukken. Kijk tijdens de zelftest bij het inschakelen of het volgende gebeurt:

- Het apparaat voert de zelftest bij het inschakelen uit.
- De aan/uit-knop licht groen op.
- Na een geslaagde zelfcontrole klinkt er een geluidssignaal van drie (3) tonen van een ½ seconde.

Opmerking

Ga na of de zelftest bij het inschakelen van het systeem geslaagd is voordat u instrumenten aansluit.

Als de zelftest van het apparaat mislukt:

- Aan/uit-knop brandt niet of brandt rood
- Na een mislukte zelfcontrole klinkt er één (1) geluidssignaal van ½ seconde

Raadpleeg de paragraaf over alarmtoestanden of het hoofdstuk Problemen oplossen voor meer informatie

Het volume regelen

Het volume van de alarm- en activeringstonen kan worden afgesteld door aan de volumeknop op het achterpaneel van de CoolSeal™-generator te draaien.

Opmerking

Het minimale volume voor waarschuwingstonen is altijd luider dan de activeringstoon.

Een CoolSeal™-instrument aansluiten

Waarschuwing

Gevaar voor elektrische schokken

- Sluit geen natte instrumenten aan op de CoolSeal™-generator.
- Zorg dat alle instrumenten correct worden aangesloten en dat er op geen van de aansluitpunten metaal blootligt.

Sluit het instrument goed aan op de aansluiting. Onjuiste aansluiting kan leiden tot onbedoelde activering van het instrument of andere potentieel gevaarlijke omstandigheden. Volg de instructies verstrekt bij CoolSeal™-instrumenten voor een correcte aansluiting en gebruik.

De instrumentaansluiting op dit systeem is ontworpen voor aansluiting van één instrument tegelijk. Probeer niet meer dan één instrument tegelijk aan te sluiten op een gegeven aansluiting. Als u dat wel doet, worden de instrumenten gelijktijdig geactiveerd.

Let op

Inspecteer instrumenten en kabels vóór elk gebruik op breuken, barsten, inkepingen en andere beschadigingen. Bij schade niet gebruiken. Beschadigde instrumenten of snoeren kunnen leiden tot letsel of elektrische schokken bij de patiënt of het operatieteam.

Een CoolSeal™-instrument aansluiten op de CoolSeal™-generator

1. Sluit een CoolSeal™-instrument aan op de instrumentaansluiting op het voorpaneel van de CoolSeal™-generator.
2. Controleer de juiste plaatsing en aansluiting door naar de groen brandende instrumentaansluitingsindicator te kijken.

Als de CoolSeal™-generator het aangesloten instrument niet herkent, gaat de instrumentaansluitingsindicator rood branden of niet branden en klinkt er één waarschuwingstoon. Raadpleeg de paragraaf over alarmtoestanden of het hoofdstuk Problemen oplossen.

Een CoolSeal™-instrument activeren

1. Activeer het CoolSeal™-instrument volgens de gebruiksaanwijzing van het instrument.
2. Let op het volgende tijdens de activering van het instrument:
 - De activeringsindicator licht blauw op en varieert in helderheid gedurende de energieafgifte.
 - Tijdens de energieafgifte klinkt er voortdurend een activeringstoon.
3. Wanneer de afdichtingscyclus is voltooid, let u op het volgende:
 - Er klinkt een reeks van drie tonen wanneer de afdichting is voltooid. De activeringsknop moet dan worden losgelaten.
 - De activeringsindicator op het voorpaneel van de CoolSeal™-generator wordt kortstondig helder blauw.
 - Vervolgens gaat de activeringsindicator uit.

Bij een alarmtoestand raadpleegt u de paragraaf over alarmtoestanden of het hoofdstuk Problemen oplossen.

Beschrijving van waarschuwingstoestanden

Wanneer er een alarmtoestand optreedt:

- Er klinkt een waarschuwingstoon
- Een van de indicatoren op de CoolSeal™-generator gaat blauw, oranje of rood branden
- De energieafgifte wordt onderbroken

Er is weer energie beschikbaar nadat de alarmtoestand is verholpen. Raadpleeg de volgende tabel om alarmtoestanden te verhelpen:

Alarmtoestand:	Aangegeven door:	Oorzaken:	Oplossing:
Afdichting voltooid	<ul style="list-style-type: none"> • Een reeks van drie waarschuwingstonen • RF-energieafgifte stopt • De activeringsindicator licht een halve (0,5) seconde blauw op 	Geslaagde vaatafdichting.	Geen. Normale werking.
Opnieuw activeren/ onvolledige afdichting	<ul style="list-style-type: none"> • Een waarschuwingstoon met drie pulsen • RF-energieafgifte stopt • De activeringsindicator licht één (1) seconde oranje op 	<p>Afdichtingstijd langer dan vijf (5) seconden OF Gebruiker heeft de bek van het instrument geopend dan wel de activeringsknop losgelaten, waardoor de afdichtingscyclus is onderbroken voordat de afdichting was voltooid OF Stroom blijft langer dan vier (4) seconden op de maximale stroomlimiet, wat erop wijst dat er kortsluiting tussen de bekdelen is opgetreden OF Het instrument is in de open lucht geactiveerd.</p>	<ol style="list-style-type: none"> 1. Laat de activeringsknop los 2. Druk op de activeringsknop om de afdichtingscyclus opnieuw te activeren zonder het instrument te verplaatsen 3. Open de bek van het instrument en controleer of de afdichting geslaagd is 4. Verplaats het instrument zo mogelijk en pak het weefsel opnieuw vast op een andere locatie, waarna u de afdichtingscyclus opnieuw activeert 5. Inspecteer de afdichting visueel alvorens te snijden
		Mogelijke gebruiksomstandigheden zijn:	
		Dun weefsel vastpakken of in de open lucht activeren.	Open de bek en controleer of er voldoende weefsel in de bek zit. Vergroot indien nodig de hoeveelheid weefsel en herhaal de procedure
		Te veel weefsel vastpakken in de bek.	Open de bek, verminder de hoeveelheid weefsel die wordt vastgepakt en activeer de afdichtingscyclus opnieuw
		Een metalen voorwerp vastpakken.	Vermijd het vastpakken van voorwerpen zoals nietjes, clips of ingekapselde hechtingen in de bek van het instrument
		Activering met overtollig opgehoopt vocht rondom de tip van het instrument.	<ol style="list-style-type: none"> 1. Minimaliseer of verwijder overtollig vocht 2. Activeer de afdichtingscyclus opnieuw zonder het instrument te verplaatsen
Overmatig eschara op elektrodetips.	Reinig oppervlakken en randen van de instrumentbek met een nat gaasje.		

Systeemfout	<ul style="list-style-type: none"> • Een waarschuwingstoon met één puls • RF-energieafgifte stopt Aan/uit-knop gaat branden en blijft rood 	Generator werkt niet naar behoren, interne zelfcontrole mislukt.	<ol style="list-style-type: none"> 1. Druk op de aan/uit-knop om de generator uit te schakelen 2. Wacht ten minste 30 seconden 3. Druk op de aan/uit-knop om de generator in te schakelen 4. Controleer vóór gebruik of de aan/uit-knop groen verlicht is. <p>Als de systeemfout opnieuw optreedt:</p> <ul style="list-style-type: none"> • Gebruik de generator niet. • Gebruik een andere CoolSeal™-generator of een andere methode om de ingreep te voltooien. <p>Retourneer de defecte generator volgens de instructies in de paragraaf Reparatie van het product in deze handleiding.</p>
Instrumentfout	<ul style="list-style-type: none"> • Een waarschuwingstoon met één puls • De instrumentaansluitingsindicator licht oranje op en knippert continu • Generator laat geen afgifte van RF-energie toe 	Generator werkt niet naar behoren, interne zelfcontrole mislukt.	<ol style="list-style-type: none"> 1. Koppel het instrument los van de generator. 2. Ga na of de instrumentactiveringsknop niet wordt ingedrukt. 3. Sluit het instrument weer aan op de generator. 4. Controleer of de instrumentaansluitingsindicator groen oplicht <p>Als de instrumentfout opnieuw optreedt:</p> <ul style="list-style-type: none"> • Gebruik het instrument niet • Gebruik een ander CoolSeal™-instrument.
		Mogelijke gebruiksomstandigheden zijn:	
		Onbedoeld indrukken van de instrumentactiveringsknop tijdens het aansluiten van het instrument.	Verwijder het voorwerp dat de instrumentactiveringsknop indrukt en sluit het instrument opnieuw aan.
Er is een storing in de schakelaar van het instrument.	Vervang het instrument.		

Ongeldig instrument	<ul style="list-style-type: none"> • Een waarschuwingstoon met één puls • Instrumentaansluitingsindicator licht op en blijft rood • Generator laat geen afgifte van RF-energie toe 	Er is een onbruikbaar instrument aangesloten.	<ol style="list-style-type: none"> 1. Koppel het instrument los van de generator. 2. Ga na of het instrument compatibel is met CoolSeal™ 3. Sluit het instrument weer aan op de generator. 4. Controleer of de instrumentaansluitingsindicator groen gaat branden <p>Als de instrumentfout opnieuw optreedt:</p> <ul style="list-style-type: none"> • Gebruik het instrument niet • Gebruik een ander CoolSeal™-instrument.
		Mogelijke gebruiksomstandigheden zijn:	
		Het aangesloten instrument is niet compatibel met de CoolSeal™-technologie.	Kijk in de gebruiksaanwijzing van het instrument of het instrument compatibel is met de CoolSeal™-technologie.
		Aangesloten instrument is eerder gebruikt.	Werp het instrument weg.
Instrument kan niet worden gebruikt met softwareversie.	<p>Controleer of de softwareversie die voor het instrument vereist is, niet hoger is dan de softwareversie die op de onderkant van de CoolSeal™-generator is vermeld.</p> <p>Raadpleeg de paragraaf Software-upgrades voor een software-upgrade.</p>		

Hoofdstuk 4. Na de operatie


In dit hoofdstuk worden de volgende onderwerpen besproken:

- De CoolSeal™-generator uitschakelen
- De CoolSeal™-generator gereedmaken voor hergebruik

Let op

Lees vóór gebruik alle waarschuwingen, aandachtspunten en instructies die bij deze generator zijn verstrekt. Specifieke instructies voor CoolSeal™-instrumenten zijn niet opgenomen in deze handleiding. Raadpleeg de gebruiksaanwijzing van het CoolSeal™-instrument voor waarschuwingen, aandachtspunten en instructies voor het gebruik daarvan.

De CoolSeal™-generator uitschakelen

1. Schakel het systeem uit door op de stand-byknop () op de voorkant van het apparaat te drukken. Let op het volgende:
 - Het lampje van de stand-byknop gaat uit.

Zo nodig kan de generator worden uitgeschakeld door het netsnoer los te koppelen van de voedingsingang of van het wandstopcontact.

De CoolSeal™-generator gereedmaken voor hergebruik

Stap 1 – De CoolSeal™-instrumenten loskoppelen

1. Koppel het instrument los van het voorpaneel.
2. Voer het instrument voor eenmalig gebruik af volgens de procedures van uw instelling.

Stap 2 – De CoolSeal™-generator reinigen

Waarschuwing

Gevaar voor elektrische schokken

Schakel de CoolSeal™-generator altijd uit en haal de stekker uit het stopcontact voordat u hem reinigt.

Opmerking

Reinig de CoolSeal™-generator zoveel mogelijk met niet-brandbare stoffen en desinfectiemiddelen. Gebruik geen schurende reinigings- of desinfectiemiddelen, oplosmiddelen of andere materialen die krassen op de panelen kunnen veroorzaken of de generator kunnen beschadigen, zoals gechloreerde koolwaterstoffen of andere oplosmiddelen voor plastic.

- Schakel de generator uit en koppel het netsnoer los van het stopcontact.
- Neem alle oppervlakken van de generator en het netsnoer grondig af met een milde reinigungsoplossing of desinfectiemiddel en een vochtige doek. Als u chloorhoudende bleekmiddelen gebruikt, verdunt u deze vóór reiniging.
- Volg de door uw instelling goedgekeurde procedures of voor het gebruik gevalideerde infectiebeheersingsprocedures.
- Niet onderdampelen, agressief afspoelen of op andere wijze vloeistoffen in het chassis laten binnendringen.

Hoofdstuk 5. Problemen oplossen

In dit hoofdstuk worden de volgende onderwerpen besproken:

- Algemene richtlijnen voor probleemoplossing
- Storingen verhelpen

Let op

Lees vóór gebruik alle waarschuwingen, aandachtspunten en instructies die bij deze generator zijn verstrekt. Specifieke instructies voor CoolSeal™-instrumenten zijn niet opgenomen in deze handleiding. Raadpleeg de gebruiksaanwijzing van het CoolSeal™-instrument voor waarschuwingen, aandachtspunten en instructies voor het gebruik daarvan.

Algemene richtlijnen voor probleemoplossing

Als de CoolSeal™-generator een storing vertoont, controleer dan op voor de hand liggende omstandigheden die het probleem kunnen hebben veroorzaakt:

- Controleer of alle kabels goed zijn aangesloten en bevestigd.
- Controleer het systeem op zichtbare tekenen van fysieke schade.
- Schakel het systeem uit en weer in.

Als de storing aanhoudt, moet het systeem mogelijk worden gerepareerd. Neem contact op met de afdeling biomedische techniek van uw instelling, Bolder Surgical of de erkende distributeur.

Als er zich incidenten voordoen tijdens het gebruik van het CoolSeal™-systeem, moeten gebruikers deze problemen rechtstreeks aan Bolder Surgical melden, telefonisch (+1866.683.1743) of via e-mail (complaints@boldsurg.com), en aan de plaatselijke bevoegde autoriteit.

Storingen verhelpen

Als er geen voor de hand liggende oplossing is, gebruik dan de onderstaande tabel om specifieke storingen te helpen identificeren en corrigeren. Nadat u de storing hebt verholpen, controleert u of het systeem de zelftest voltooit zoals beschreven in het hoofdstuk over het opzetten van het systeem.

Afwijkende respons van de patiënt:

Toestand:	Oorzaken:	Oplossing:
Abnormale neuromusculaire stimulatie (zet de operatie onmiddellijk stop)	Vonkvorming van metaal op metaal	Controleer alle aansluitingen op de CoolSeal™-generator.
	Abnormale lekstromen op 50 Hz-60 Hz	Gebruik een reserve-CoolSeal™-generator. Neem voor hulp contact op met uw afdeling biomedische techniek of een medewerker van de technische dienst van Bolder Surgical™.

Storingen van de CoolSeal™ generator:

Toestand:	Oorzaken:	Oplossing:
De CoolSeal™-generator reageert niet wanneer hij wordt ingeschakeld	Netsnoer losgekoppeld of stopcontact defect	Controleer de aansluitingen van het netsnoer (CoolSeal™-generator en stopcontact). Sluit het netsnoer aan op een werkend stopcontact.
	Defect netsnoer	Vervang het netsnoer.
	Zekeringen zijn doorgebrand	Neem voor hulp contact op met uw afdeling biomedische techniek of een medewerker van de technische dienst van Bolder Surgical™.
	Storing in intern onderdeel	Gebruik een reserve-CoolSeal™-generator. Neem voor hulp contact op met uw afdeling biomedische techniek of een medewerker van de technische dienst van Bolder Surgical™.
Het systeem is ingeschakeld, maar de zelftest is niet geslaagd of het systeem stopte met werken tijdens het gebruik – Een toon met één puls en de aan/uit-knop gaat rood branden	Apparaat opgeslagen op een koude plaats	Laat het apparaat op omgevingstemperatuur komen.
	Herstelbare softwarestoring	Gebruik een reserve-CoolSeal™-generator. Neem voor hulp contact op met uw afdeling biomedische techniek of een medewerker van de technische dienst van Bolder Surgical™.
	Storing in intern onderdeel of onherstelbare softwarestoring	Storing in intern onderdeel.
Het systeem is ingeschakeld, met één toon en een knipperende oranje instrumentaansluitingsindicator.	Systeem gestart met defect instrument aangesloten op instrumentaansluiting	Koppel het instrument los. Schakel de CoolSeal™-generator uit.
	Instrument is onjuist of uiterste gebruiksdatum is verstreken	Schakel de CoolSeal™-generator in. Sluit het instrument aan.
	Defect instrument	Vervang het instrument als het storing blijft vertonen.
Het systeem is ingeschakeld, de aan/uit-knop brandt groen , bij het aansluiten van het instrument klinkt er één toon en er is een rode instrumentaansluitingsindicator te zien.	CoolSeal™-instrument kan niet worden gebruikt met softwareversie	Vraag uw afdeling biomedische techniek om dit na te vragen bij de fabrikant van het apparaat. Raadpleeg de paragraaf Software-upgrades voor een software-upgrade.
	Instrumentherkenning mislukt vanwege intermitterende verbinding	Verwijder de instrumentstekker Breng de instrumentstekker weer stevig aan.
	Herstelbare softwarestoring	Schakel het systeem uit en vervolgens weer in.
De CoolSeal™-generator is ingeschakeld en het instrument is geactiveerd, maar het systeem produceert geen output – geen tonen of activeringsindicatie	Storing in intern onderdeel of onherstelbare softwarestoring	Gebruik een reserve-CoolSeal™-generator. Neem voor hulp contact op met uw afdeling biomedische techniek of een medewerker van de technische dienst van Bolder Surgical™.
	Er is sprake van een alarmtoestand	Raadpleeg de paragraaf over alarmtoestanden.
	Systeem detecteert geen vaatafdichtingsinstrument	Steek de stekker stevig in de aansluiting op het voorpaneel van de CoolSeal™-generator. Controleer of de aansluitingsindicator groen oplicht om aan te geven dat er een CoolSeal™-instrument goed is aangesloten en herkend.
	Storing in intern onderdeel of onherstelbare softwarestoring	Neem voor hulp contact op met uw afdeling biomedische techniek of een medewerker van de technische dienst van Bolder Surgical™.

Onvolledige afdichting/ opnieuw activeren – Een toon met drie pulsen klinkt, oranje activeringsindicator op het voorpaneel van de generator en RF-uitgang is uitgeschakeld	Afdichtingscyclus duurde langer dan 5 seconden OF De handschakelaar werd losgelaten voordat de eindtoon klonk	Er is meer tijd en energie nodig om de afdichtingscyclus te voltooien. Activeer de afdichtingscyclus opnieuw zonder het instrument te verwijderen of verplaatsen. Inspecteer de afdichting visueel alvorens te snijden.
	Er is metaal of een ander vreemd voorwerp vastgepakt in de bek	Vermijd het vastpakken van voorwerpen zoals nietjes, clips of ingekapselde hechtingen in de bek van het instrument.
	In bek vastgepakt weefsel is te dun	Open de bek en controleer of er voldoende weefsel in de bek zit. Vergroot indien nodig de hoeveelheid weefsel en herhaal de procedure.
	Opgehoopte vloeistoffen rond de instrumenttip	Minimaliseer of verwijder overtollig vocht. Reinig de elektrodetips en bekdelen met een nat gaasje.
	Instrument is in de open lucht geactiveerd	Laat de activeringsknop los. Pak het weefsel vast en activeer de afdichtingscyclus.
Het instrument is aangesloten, maar de vaatafdichting laat zich niet activeren	De instrumentstekker is niet volledig in de instrumentaansluiting gestoken	Koppel het instrument los, sluit het opnieuw aan en wacht even.

Mogelijke interacties met andere apparaten:

Toestand:	Oorzaken:	Oplossing:
Voortdurende storing op monitor	Defecte monitor	Raadpleeg de gebruiksaanwijzing van de monitor om problemen op te lossen.
	Verbroken verbinding chassis-aarde	Controleer en corrigeer de verbinding chassis-aarde van de monitor en de CoolSeal™-generator. Controleer andere elektrische apparatuur in de kamer op gebrekkige aarding.
	Elektrische apparatuur is geaard op verschillende voorwerpen in plaats van op een gemeenschappelijke aarde. Mogelijk reageert de CoolSeal™- generator op de resulterende spanningsverschillen tussen geaarde objecten.	Sluit alle elektrische apparatuur op dezelfde locatie aan op de netvoeding. Neem voor hulp contact op met uw afdeling biomedische techniek of een medewerker van de technische dienst van Bolder Surgical™.
	Als de interferentie aanhoudt wanneer de CoolSeal™-generator wordt geactiveerd, reageert de monitor op uitgestraalde frequenties.	Vraag uw afdeling biomedische techniek om dit na te vragen bij de fabrikant van de monitor. Sommige fabrikanten bieden RF-smoorfilters voor gebruik in monitorkabels. De filters verminderen de interferentie wanneer de CoolSeal™-generator wordt geactiveerd en minimaliseren de kans op een elektrochirurgische brandwond op de plaats van de monitorelektrode.
Interferentie met pacemaker	Intermitterende verbindingen of vonkvorming van metaal op metaal	Bewaak patiënten met pacemakers altijd tijdens de operatie en houd een defibrillator bij de hand.
Activering implanteerbare cardioverter-defibrillator (ICD)	ICD wordt geactiveerd door CoolSeal™- generator	Staak de ingreep en neem contact op met de fabrikant van de ICD voor instructies.
Interferentie met andere apparaten, alleen wanneer de CoolSeal™-generator geactiveerd is	Elektrisch inconsistente aardingsgeleiders in de operatiekamer	Controleer of alle aardingsgeleiders zo kort mogelijk zijn en naar hetzelfde geaarde metaal toe lopen.
	Als de interferentie aanhoudt wanneer de CoolSeal™-generator wordt geactiveerd, reageert het apparaat op uitgestraalde frequenties.	Vraag uw afdeling biomedische techniek om dit na te vragen bij de fabrikant van het apparaat.

Hoofdstuk 6. Periodiek testen van de werking, onderhoud en reparaties

Dit hoofdstuk bevat de volgende informatie:

- De verantwoordelijkheid van de fabrikant
- Periodiek testen van de werking en onderhoud
- De generator retourneren voor onderhoud
- Software-upgrades

Let op

Lees vóór gebruik alle waarschuwingen, aandachtspunten en instructies die bij deze generator zijn verstrekt. Specifieke instructies voor CoolSeal™-instrumenten zijn niet opgenomen in deze handleiding. Raadpleeg de gebruiksaanwijzing van het CoolSeal™-instrument voor waarschuwingen, aandachtspunten en instructies voor het gebruik daarvan.

Verantwoordelijkheid van de fabrikant

Bolder Surgical is alleen verantwoordelijk voor de veiligheid, betrouwbaarheid en prestaties van de CoolSeal™-generator als aan alle volgende voorwaarden is voldaan:

- De installatie- en configuratieprocedures in deze handleiding worden gevolgd.
- Personen die hiertoe door Bolder Surgical zijn gemachtigd voeren montage, bediening, afstellingen, aanpassingen of reparaties uit.
- De elektrische installatie van de betreffende ruimte voldoet aan de plaatselijke voorschriften en wettelijke vereisten, zoals IEC en BSI.
- De apparatuur wordt gebruikt in overeenstemming met de gebruiksaanwijzing van Bolder Surgical. Raadpleeg het hoofdstuk Garantie van deze handleiding voor informatie over de garantie.

Periodiek testen van de werking en onderhoud

Wanneer moeten periodieke werkingstests worden uitgevoerd?

Bolder Surgical raadt aan om ten minste eenmaal per twee jaar een periodieke test van de werking van de CoolSeal™-generator uit te voeren. De periodieke test van de werking mag uitsluitend worden uitgevoerd door een gekwalificeerd biomedisch technicus of de CoolSeal™-generator kan worden teruggestuurd naar Bolder Surgical of zijn distributeur voor de periodieke test van de werking. Zie bijlage A voor gedetailleerde instructies voor de periodieke test van de werking.

Wanneer moet het netsnoer worden vervangen?

Vervang het netsnoer als u blootliggende draden, barsten, gerafelde randen of een beschadigde stekker aantreft.

Wanneer moeten de zekeringen worden vervangen?

De afdeling biomedische techniek van het ziekenhuis moet soms misschien zekeringen vervangen. Zekeringen moeten worden vervangen als een zekering is doorgebrand ter bescherming van de CoolSeal™-generator of volgens de voorschriften voor preventief onderhoud van de afdeling biomedische techniek van het ziekenhuis. Als er binnen korte tijd herhaaldelijk zekeringen doorbranden, mag u de zekeringen niet meer vervangen en moet u de CoolSeal™-generator retourneren voor reparatie.

Hoe worden de zekeringen vervangen?

1. Schakel de generator uit en koppel het netsnoer los van het stopcontact.
2. Koppel het netsnoer van het systeem los van de voedingsaansluiting op het achterpaneel.
3. Ontgrendel de zekeringlade onder de voedingsaansluiting.
4. Verwijder beide zekeringen.
5. Neem zekeringen met de waarden die zijn aangegeven onder de voedingsaansluiting op het achterpaneel.
6. Plaats beide zekeringen.
7. Plaats de zekeringlade en vergrendel hem.

Reparatie van het product

Waarschuwing

Gevaar voor elektrische schokken: Verwijder de afdekking van de CoolSeal™-generator niet.

Probeer geen onderhoud uit te voeren aan de CoolSeal™-generator. Alle onderhoud en reparaties moeten worden uitgevoerd door bevoegd personeel van Bolder Surgical™.

De CoolSeal™-generator retourneren voor reparaties

Neem contact op met de vertegenwoordiger van Bolder Surgical™ voordat u de CoolSeal™-generator retourneert. Als u wordt gevraagd om de generator naar Bolder Surgical te sturen, doet u het volgende:

1. Bel de klantenservice van Bolder Surgical™ voor uw regio om een retourautorisatienummer te verkrijgen. Houd de volgende informatie bij de hand wanneer u belt:
 - Naam/klantnummer ziekenhuis/kliniek
 - Uw telefoonnummer
 - Afdeling/adres, plaats, provincie en postcode
 - Modelnummer
 - Serienummer
 - Beschrijving van het probleem
 - Soort uit te voeren onderhoud, upgrade of reparatie
2. Reinig de CoolSeal™-generator.
 - Zie de paragraaf over reiniging hierboven.
3. Verzend de CoolSeal™-generator.
 - Bevestig een label aan de generator met het retourautorisatienummer en de informatie (ziekenhuis, telefoonnummer, enz.) vermeld in stap 1.
 - Zorg dat de generator volledig droog is voordat u hem inpakt voor verzending. Verpak hem in de oorspronkelijke verzendverpakking, indien beschikbaar.
 - Verzend de generator franco naar het servicecentrum van Bolder Surgical™.

Software-upgrades

Software-upgrades moeten worden uitgevoerd door medewerkers van Bolder Surgical™. Zie *De CoolSeal™-generator retourneren voor reparaties* (hierboven) voor instructies.

Hoofdstuk 7. Technische specificaties

Alle specificaties zijn nominaal en kunnen zonder kennisgeving worden gewijzigd.

Een specificatie die 'Typisch' wordt genoemd, ligt binnen $\pm 20\%$ van de opgegeven waarde bij kamertemperatuur (25 °C/77 °F) en een nominale lijningangsspanning.

Let op

Lees vóór gebruik alle waarschuwingen, aandachtspunten en instructies die bij deze generator zijn verstrekt. Specifieke instructies voor CoolSeal™-instrumenten zijn niet opgenomen in deze handleiding. Raadpleeg de gebruiksaanwijzing van het CoolSeal™-instrument voor waarschuwingen, aandachtspunten en instructies voor het gebruik daarvan.

Prestatiekenmerken

Algemeen

Uitgangsconfiguratie:	Geïsoleerde uitgang
Koeling:	Natuurlijke omgevingsconvectie
Visuele indicatoren:	Indicatielampjes en stand-byschakelaar
Aansluitpoorten:	Stekkerdetectie met led-verlichting
Montage:	Armsystemen voor operatiekamers Elk stabiel, vlak oppervlak, zoals een tafelblad of het topblad van een wagen

Afmetingen en gewicht

Breedte:	30,5 cm (12 inch)
Diepte:	38,1 cm (15 inch)
Hoogte:	10,9 cm (4,3 inch)
Gewicht:	5,4 kg (12 lb)

Bedrijfsparameters

Omgevingstemperatuurbereik:	+10 °C tot +35 °C
Relatieve luchtvochtigheid:	30% tot 75% (zonder condensvorming)
Omgevingsluchtdruk:	67 kilopascal tot 111 kilopascal
Opwarmtijd:	Bij vervoer of opslag bij temperaturen buiten het bedrijfstemperatuurbereik moet u de CoolSeal™-generator vóór gebruik een uur de tijd geven om op de bedrijfstemperatuur te komen.

Vervoer en opslag

Omgevingstemperatuurbereik:	-20 °C tot +60 °C
Relatieve luchtvochtigheid:	0% tot 90% (zonder condensvorming)
Omgevingsluchtdruk:	46 kilopascal tot 111 kilopascal

Intern geheugen

Niet-vluchtig:	RAM
Opslagcapaciteit:	Het geheugen kan informatie opslaan over de laatste 2000 afdichtingscycli. De gegevens zijn niet patiëntspecifiek en niet toegankelijk voor de gebruiker.

Activeringstonen

De hieronder vermelde geluidsniveaus zijn voor activeringstonen bij afdichting, op een afstand van één meter.

Volume (regelbaar):	40 dBA tot 80 dBA
Frequentie	
CoolSeal™-afdichting:	349,2 Hz
Duur:	Continu terwijl het systeem actief RF-energie afgeeft

Waarschuwingstonen

Volume (regelbaar):	65 dBA tot 80 dBA
Frequentie	
Systeemfout en instrumentfout:	Één toonpuls van 550 ms Hoog = 2637 Hz, laag = 440 Hz 550 ms
Afdichting voltooid:	Reeks van drie tonen 349,2 Hz, 392 Hz en 440 Hz Duur 75 ms, 150 ms en 300 ms
Opnieuw activeren/ onvolledige afdichting:	Drie toonpulsen Hoog = 2489 Hz, laag = 349,2 Hz Pulsen 80 ms, tussenliggende pauzes 100 ms

Ingangsvermogen

Maximaal vermogen bij nominale lijnspanning: 110 W
Netstroom (maximaal) Inactief: 250 mA Afdichting: 1 A
Frequentiebereik netvoedingslijn (nominaal): 50 Hz tot 60 Hz
Spanningsbereik netvoedingslijn (nominaal): 100-240 V
Zekeringen (2): type T5AH 250 V of gelijkwaardig, 5 mm x 20 mm 5 A, 250 V, traag werkend, hoog afschakelvermogen
Voedingsaansluiting: IEC 60320 C14

Specificatie netsnoer

Dit apparaat is in de fabriek uitgerust met een 110 VAC-netsnoer van ziekenhuiskwaliteit met een NEMA5-15-netvoedingsstekker. Bij vervanging van het netsnoer om het aan te passen aan een andere configuratie van de netvoedingsstekker, moet de configuratie van de vervangende stekker/kabel/aansluiting voldoen aan de volgende specificaties of deze overschrijden:

100-120 VAC

Kabel:	SJT 18/3, IEC-kleurcode, maximale lengte 3 m (10 ft)
Netvoedingsstekker:	Ziekenhuiskwaliteit, voldoet aan de vereisten van het betreffende land
Minimaal:	10 A - 125 VAC
Aansluiting op het apparaat:	IEC 60320 C13, minimaal 10 A - 125 VAC

220-240 VAC

Kabel:	H05VVF3G1.0, maximale lengte 3 m (10 ft)
Netvoedingsstekker:	Ziekenhuiskwaliteit, voldoet aan de vereisten van het betreffende land
Minimaal:	6 A - 250 VAC
Aansluiting op het apparaat:	IEC 60320 C13, minimaal 6 A - 250 VAC

Technische specificaties

Ingangsfrequentie

De CoolSeal™-generator werkt binnen de specificaties bij alle lijningangsfrequenties tussen 47 Hz en 63 Hz. De gebruiker hoeft de CoolSeal™-generator niet te herconfigureren voor verschillende lijnfrequenties.

Ingangsstroom

De CoolSeal™-generator neemt niet meer dan 5 A af bij elke lijningangsspanning.

Back-upvoeding

De CoolSeal™-generator bewaart statistische en kalibratiegegevens wanneer hij is uitgeschakeld en losgekoppeld van het stopcontact. De CoolSeal™-generator werkt binnen de specificaties wanneer hij wordt overgeschakeld op netvoeding geleverd door back-upsystemen van het ziekenhuis.

Potentiaalvereffeningsaansluiting

Aan de achterkant van de CoolSeal™-generator bevindt zich een potentiaalvereffeningsaansluiting waarop zo nodig een potentiaalvereffeningsgeleider kan worden aangesloten.

Bedrijfscyclus

Bij maximale vermogensinstellingen en onder nominale belastingsomstandigheden kan de CoolSeal™-generator een bedrijfscyclus van 25% uitvoeren, gedefinieerd als een actieve RF-afgifte van 5 seconden en een inactieve RF-afgifte van 15 seconden.

Lekstroom met lage frequentie (50/60 Hz)

Voldoet aan IEC 60601-1, ed. 3.1

Limieten voor lage frequenties:

Aardlekstroom:	5 mA normale omstandigheden	10 mA toestand met één fout
Aanraakstroom:	100 µA normale omstandigheden	500 µA toestand met één fout
Patiëntlekstroom: <i>(gebaseerd op met de patiënt in aanraking komend onderdeel van type CF)</i>	10 µA normale omstandigheden	50 µA toestand met één fout (gelijk- of wisselstroom)
Patiëntlekstroom bij netvoeding op het met de patiënt in aanraking komende onderdeel van type F: <i>(gebaseerd op met de patiënt in aanraking komend onderdeel van type CF)</i>		50 uA

Normen en IEC-classificaties

De CoolSeal™-generator voldoet aan alle relevante bepalingen van IEC 60601-1 ed. 3.1, IEC 60601-1-2 ed. 4.0 en IEC 60601-2-2 ed. 6.0.

Symbolen

	Raadpleeg de gebruiksaanwijzing		Wisselstroomingang (netvoeding)
	Waarschuwing, elektriciteit Om het risico op elektrische schokken te beperken mag de afdekking niet worden verwijderd. Laat reparaties uitvoeren door gekwalificeerd onderhoudspersoneel.		Wisselstroomuitgang (RF)
	Serienummer		Stand-by, aan/uit
	Gemachtigde in de Europese Gemeenschap		Temperatuurlimiet
	Catalogus-, nabestellings- of referentienummer		Vochtigheidslimiet
	Medisch hulpmiddel		Limiet omgevingsluchtdruk
	Geregistreerde fabrikant		Droog houden
	Productiedatum		Alleen in overeenstemming met IEC 60601-1 en CAN/CSA C22.2 nr. 601.1 geclassificeerd met betrekking tot elektrische schokken, brand en mechanische gevaren.
	De generator is bestemd voor een met de patiënt in aanraking komend onderdeel van type CF		Voldoet aan de vereisten van FCC, deel 15.
	Potentiaalvereffening		Volumeregeling voor activeringstonen, rechtsom verhoogt het volume
	Zekering		Apparatuur mag niet met het afval worden afgevoerd

Classificaties

Apparatuur van klasse I (IEC 60601-1)

Toegankelijke geleidende onderdelen kunnen niet onder spanning komen te staan bij een elementair defect van de isolatie, vanwege de manier waarop ze in verbinding staan met de aardinggeleider.

Elektromagnetische compatibiliteit (IEC 60601-1-2)

Dit apparaat voldoet aan deel 15 van de FCC-regels. Gebruik is toegestaan onder voorbehoud van de volgende twee voorwaarden:

- (1) dit apparaat mag geen schadelijke interferentie veroorzaken; en
- (2) dit apparaat moet alle ontvangen interferentie accepteren, waaronder interferentie die een ongewenste werking kan veroorzaken.

Apparatuur van type CF (IEC 60601-1)

Deze generator biedt een hoge mate van bescherming tegen elektrische schokken, met name voor wat betreft toegestane lekstromen. Hij heeft een geïsoleerde (zwevende) uitgang van type CF en kan worden gebruikt voor procedures waarbij het hart betrokken is.

IP XX Binnendringende/gemorste vloeistof (IEC 60601-1 en IEC 60601-2-2)

De CoolSeal™-generator is zo ontworpen dat gemorste vloeistof bij normaal gebruik niet leidt tot nat worden van de elektrische isolatie of andere onderdelen die wanneer ze nat worden waarschijnlijk een negatieve invloed hebben op de veiligheid van de apparatuur.

Spanningstransiënten – Netvoedingsoverdracht energieplatform (IEC60601-1 en IEC 60601-2-2)

De CoolSeal™-generator blijft normaal werken zonder fouten of systeemstoringen wanneer er wordt overgeschakeld tussen netvoeding en een noodspanningsbron voor het energieplatform. (IEC 60601-1-2)

Elektromagnetische compatibiliteit (IEC 60601-1-2 en IEC60601-2-2)

De CoolSeal™-generator voldoet aan de toepasselijke specificaties van IEC 60601-1-2 en 60601-2-2 met betrekking tot elektromagnetische compatibiliteit.

Waarschuwing

Gebruik van deze apparatuur direct naast, op of onder andere apparatuur kan het best worden vermeden, omdat dit kan leiden tot een onjuiste werking. Als een dergelijk gebruik onvermijdelijk is, moeten deze apparatuur en de andere apparatuur worden geobserveerd om te controleren of ze normaal werken.

Draagbare RF-communicatieapparatuur (met inbegrip van randapparatuur zoals antennekabels en externe antennes) mag niet worden gebruikt op een afstand kleiner dan 30 cm (12 inch) van welk onderdeel van de CoolSeal™-generator dan ook, inclusief door Bolder Surgical gespecificeerde kabels. Anders kunnen de prestaties van deze apparatuur worden aangetast.

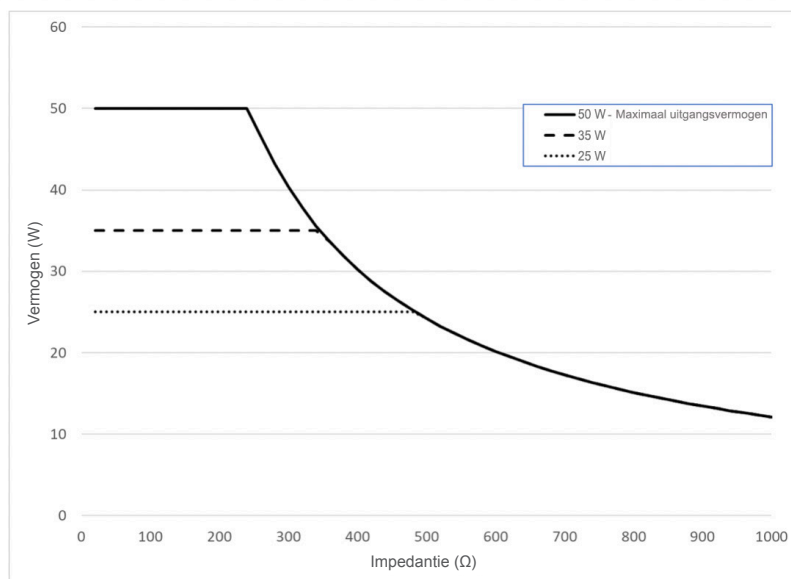
Uitgangskennmerken

Maximaal uitgangsvermogen voor de CoolSeal™-generator

Gemeten vermogenswaarden komen met het aan de nominale belasting afgegeven werkelijke vermogen overeen met een maximale afwijking van 20% of 5 watt, afhankelijk van welke waarde groter is.

Nullastpiekspanning (max.)	Nominale belasting	Nominaal uitgangsvermogen (max.)	Piekfactor	Curvebedrijfscyclus
190 V	20 Ω	50 W	1,9	100%

Grafiek uitgangsvermogen t.o. impedantie



Elektromagnetische immuniteit

Leidraad en verklaring van de fabrikant – Elektromagnetische emissies

De CoolSeal™-generator is bestemd voor gebruik in de hieronder gespecificeerde elektromagnetische omgeving. De klant of de gebruiker van de CoolSeal™-generator moet er zorg voor dragen dat hij in een dergelijke omgeving wordt gebruikt.

RF-emissies CISPR 11	Groep 2	De CoolSeal™-generator moet elektromagnetische energie afgeven om zijn beoogde functie te kunnen vervullen. Elektronische apparatuur in de nabije omgeving kan hier gevolgen van ondervinden. De CoolSeal™-generator is geschikt voor gebruik in alle instellingen, behalve instellingen met een woonfunctie en instellingen die rechtstreeks zijn aangesloten op het openbare laagspanningsnet dat voor huishoudelijke doeleinden gebruikte gebouwen van stroom voorziet.
Geleide emissies EN 55011:2009+A1:2010, CISPR 11:2009+A1:2010	Klasse A	
Uitgestraalde emissies EN 55011:2009+A1:2010, CISPR 11:2009+A1:2010	Klasse A	
Harmonische emissies IEC/EN 61000-3-2:2014	Apparaat van klasse A	
Spanningsschommelingen/flikkering IEC/EN 61000-3-3:2013	Conform bepaling 5 van de norm	
Basisveiligheid conform IEC 60601-1 is de prestatievereiste die wordt gehanteerd tijdens immuniteitstests. Essentiële prestaties zijn niet van toepassing.		

Opmerking

Door de EMISSIE-eigenschappen is deze apparatuur geschikt voor gebruik in industriegebieden en ziekenhuizen (CISPR 11 klasse A). Als de apparatuur wordt gebruikt in een woonomgeving (waarvoor gewoonlijk CISPR 11 klasse B vereist is), biedt deze apparatuur mogelijk onvoldoende bescherming voor radiofrequentiecommunicatiediensten. De gebruiker moet mogelijk correctiemaatregelen treffen, zoals het verplaatsen of draaien van de apparatuur.

Leidraad en verklaring van de fabrikant – Elektromagnetische immuniteit

De CoolSeal™-generator is bestemd voor gebruik in de hieronder gespecificeerde elektromagnetische omgeving. De klant of de gebruiker van de CoolSeal™-generator moet er zorg voor dragen dat hij in een dergelijke omgeving wordt gebruikt.

Immunitiestest	IEC 60601-testniveau	± Conformiteits-niveau	Elektromagnetische omgeving – Leidraad
Elektrostatische ontlading IEC/EN 61000-4-2	± 8 kV contactontlading ± 2, 4, 8 en 15 kV luchtontlading	± 8 kV contactontlading ± 2, 4, 8 en 15 kV luchtontlading	Vloeren moeten van hout, beton of keramische tegels zijn. Als vloeren bedekt zijn met synthetisch materiaal, moet de relatieve luchtvochtigheid ten minste 30% bedragen.
Immunititeit voor uitgestraalde interferentie IEC 61000-4-3:2006 + A1:2008 + A2:2010	80 MHz - 6 GHz 3 V/m 80% bij 1 kHz 28 V/m meet-frequenties 385 MHz - 2,7 GHz pulsmodulatie	80 MHz - 6 GHz 3 V/m 80% bij 1 kHz 28 V/m meet-frequenties 385 MHz - 2,7 GHz pulsmodulatie	Draagbare en verplaatsbare RF-communicatie-apparatuur mag niet dicht bij welk onderdeel van de CoolSeal™-generator dan ook, inclusief kabels, worden gebruikt dan de aanbevolen scheidingsafstand berekend op basis van de vergelijking die van toepassing is op de frequentie van de zender.
Nabijheidsveld van draadloze RF-communicatie-apparatuur IEC 61000-4-3	Conform tabel 9 van de norm IEC 60601-1-2	Zie de tabel op de volgende pagina met de frequentiebereiken en testomstandigheden voor draadloze RF-communicatie-apparatuur	Aanbevolen scheidingsafstand $d = [2]\sqrt{P}$ waarbij P het maximale nominale uitgangsvermogen van de zender in watt (W) volgens de fabrikant van de zender is en d de aanbevolen scheidingsafstand in meter (m). De veldsterkte van vaste RF-zenders, zoals bepaald door een elektromagnetisch onderzoek ter plaatse ^a moet lager zijn dan het conformiteitsniveau in elk frequentiebereik ^b .
Immunititeit voor geleide emissies (netvoeding) (in-/uitgangslijnen) IEC/EN 61000-4-6	0,15-80 MHz 3 Vrms en 6 Vrms in ISM-band 1 kHz Netvoeding	0,15-80 MHz 3 Vrms en 6 Vrms in ISM-band 1 kHz Netvoeding	De ISM-banden (industrial, scientific and medical; industrieel, wetenschappelijk en medisch) tussen 0,15 MHz en 80 MHz zijn 6,765 MHz tot 6,795 MHz; 13,553 MHz tot 13,567 MHz; 26,957 MHz tot 27,283 MHz; en 40,66 MHz tot 40,70 MHz.
Elektrische snelle transiënten (netvoeding) IEC/EN 61000-4-4	± 2 kV AC-netvoeding ± 1 kV - I/O-lijnen 5/50 5 kHz en 100 kHz	± 2 kV AC-netvoeding ± 1 kV - I/O-lijnen 5/50 5 kHz en 100 kHz	De kwaliteit van de netvoeding moet gelijk zijn aan die van een normale commerciële of ziekenhuisomgeving.
Overspanningslijn naar lijn (netvoeding) IEC/EN 61000-4-5	± 1 kV Lijn naar lijn Lijn naar aarde	± 1 kV Lijn naar lijn Lijn naar aarde	De kwaliteit van de netvoeding moet gelijk zijn aan die van een normale commerciële of ziekenhuisomgeving.
Magnetische immuniteit IEC/EN-61000-4-8	30 A/m 50/60 Hz	30 A/m 50/60 Hz	Magnetische velden met netfrequentie moeten een niveau hebben dat kenmerkend is voor een gangbare locatie in een gangbare bedrijfs- of ziekenhuisomgeving.
Spanningsdalingen en -onderbrekingen IEC/EN 61000-4-11	0% UT 0,5 cyclus 0% UT 1 cyclus 70% UT 25 cycli 0% UT 5 s	0% UT 0,5 cyclus 0% UT 1 cyclus 70% UT 25 cycli 0% UT 5 s	Als de gebruiker van de CoolSeal™-generator vereist dat de werking ervan niet door stroomstoringen wordt onderbroken, wordt aanbevolen de CoolSeal-generator van stroom te voorzien via een ononderbreekbare stroomvoorziening of een accu.

OPMERKING Deze richtsnoeren zijn mogelijk niet in alle situaties van toepassing. Elektromagnetische voortplanting wordt beïnvloed door absorptie en reflectie door structuren, voorwerpen en personen.

^aVeldsterktes van vaste zenders, zoals basisstations voor radiotelefoons (mobiel/draadloos) en mobiele landradio's, amateurradio, AM- en FM-radio-uitzendingen en tv-uitzendingen kunnen niet nauwkeurig worden voorspeld op grond van de theorie. Ter beoordeling van de elektromagnetische omgeving als gevolg van vaste RF-zenders moet een elektromagnetisch locatieonderzoek worden overwogen. Als de gemeten veldsterkte op de locatie waar de CoolSeal™-generator wordt gebruikt het hierboven vermelde toepasselijke RF-conformiteitsniveau overschrijdt, moet de CoolSeal™-generator worden geobserveerd om te controleren of hij normaal werkt. Als een abnormale werking wordt geconstateerd, zijn wellicht aanvullende maatregelen nodig, zoals het draaien of verplaatsen van de CoolSeal™-generator.

^bIn het frequentiebereik van 150 kHz tot 80 MHz moet de veldsterkte minder bedragen dan 3 V/m.

Leidraad en verklaring van de fabrikant – Elektromagnetische immuniteit			
Frequentiebereiken en testomstandigheden voor draadloze RF-communicatieapparatuur			
Frequentieband (MHz)	Testfrequentie (MHz)	Modulatie^a	Conformiteitsniveau (V/m)
380-390	380-390	Puls – 18 Hz	27
430-470	450	FM ± 5 kHz afwijking 1 kHz sinus	28
704-787	710	Puls – 217 Hz	9
	745		
	780		
800-960	810	Puls – 18 Hz	28
	870		
	930		
1700-1990	1720	Puls – 217 Hz	28
	1845		
	1970		
2400-2570	2450	Puls – 217 Hz	28
5100-5800	5240	Puls – 217 Hz	9
	5500		
	5785		

^aPulsmodulatie wordt gedefinieerd als een vierkantsgolffingang met een bedrijfscyclus van 50% bij de vermelde frequentie.

OPMERKING Draagbare RF-communicatieapparatuur mag niet worden gebruikt op een afstand kleiner dan 30 cm (12 inch) van welk onderdeel van de CoolSeal™-generator dan ook, inclusief door Bolder Surgical gespecificeerde kabels. Anders kunnen de prestaties van deze apparatuur worden aangetast.

Aanbevolen scheidingsafstanden tussen draagbare en verplaatsbare RF-communicatieapparatuur en de CoolSeal™-generator

De CoolSeal™-generator is bestemd voor gebruik in een elektromagnetische omgeving waar beheersingsmaatregelen gelden voor uitgestraalde RF-storingen. De klant of de gebruiker van de CoolSeal™-generator kan elektromagnetische interferentie helpen voorkomen door een minimale afstand aan te houden tussen draagbare en verplaatsbare RF-communicatie-apparatuur (zenders) en de CoolSeal™-generator zoals hieronder aanbevolen, afhankelijk van het maximale uitgangsvermogen van de communicatieapparatuur.

Nominaal maximaal uitgangsvermogen zender	Scheidingsafstand van zender $d = [2] \sqrt{P}$
0,01	0,20
0,1	0,63
1	2,00
10	6,32
100	20,00

Voor zenders met een maximaal uitgangsvermogen dat hierboven niet is vermeld kan de aanbevolen scheidingsafstand d in meter (m) worden geschat aan de hand van de vergelijking die van toepassing is op de frequentie van de zender, waarbij P het maximale uitgangsvermogen van de zender in watt (W) volgens de fabrikant van de zender is.

OPMERKING Deze richtsnoeren zijn mogelijk niet in alle situaties van toepassing. Elektromagnetische voortplanting wordt beïnvloed door absorptie en reflectie door structuren, voorwerpen en personen.

Bijlage A – Periodieke test van de werking

Het doel van de test is om te bevestigen dat de CoolSeal™-generator naar behoren werkt. Het wordt aanbevolen om deze test minimaal om de twee jaar uit te voeren om er zeker van te zijn dat de juiste werking in de loop van de tijd behouden blijft. Raadpleeg het label met de laatste testdatum voor de datum van de laatste door Bolder Surgical™ uitgevoerde test van de werking. Deze test kan vaker worden toegepast indien vereist volgens het beleid van het ziekenhuis.

Waarschuwing

Open de behuizing van de CoolSeal™-generator niet. Er bevinden zich binnen de behuizing geen voorwerpen die kunnen worden gerepareerd. Nadat de behuizing is geopend, zijn er aanvullende tests nodig om een veilige werking te bevestigen. Deze tests kunnen alleen in het servicecentrum van Bolder Surgical™ worden uitgevoerd. Niet-naleving hiervan kan leiden tot een verhoogd risico op elektrische schokken.

Opmerking

Alleen gekwalificeerde personen mogen de test van de werking van de CoolSeal™ uitvoeren.

Belangrijk

Hieronder vindt u een optioneel formulier om de resultaten van de periodieke test van de werking vast te leggen.

Waarschuwing

Probeer de werkingstestkabel niet te gebruiken voor andere doeleinden dan de stappen die hier worden beschreven. Niet voor klinische toepassingen gebruiken.

Definities:

UUT – Unit Under Test (apparaat dat wordt getest)

ESA – Electrical Safety Analyzer (analyser voor elektrische veiligheid)

ESuA – Electro-Surgical Analyzer (elektrochirurgische analyser)

Benodigdheden:

UUT - CoolSeal™-generator – CSL-200-50

ESA - Fluke-analyser voor elektrische veiligheid, model ESA612 (of gelijkwaardig)

ESuA - Fluke elektrochirurgische analyser, model QA-E SII, QA-ES III (of gelijkwaardig)

Werkingstestkabel – CSL-FTC

Stopwatch

Criteria voor geslaagd/mislukt:

- Volg de onderstaande stappen om het vermelde resultaat te verkrijgen. Herhaal dit als dit resultaat niet wordt verkregen.
- Neem contact op met Bolder Surgical voor een reparatieafpraak als er sprake is van een storing of afwijking.
- Probeer de CoolSeal™-generator niet te repareren.
- Een poging om de CoolSeal™-generator te repareren schendt de bepalingen van de productgarantie.

Procedure:**RESULTATEN VASTLEGGEN:**

1. U kunt de resultaten van de volgende tests vastleggen op een kopie van het logboek in de bijlage. Noteer na elke onderstaande stap het resultaat in de desbetreffende rubriek zoals aangegeven door **<RECORD RESULTS> (RESULTATEN VASTLEGGEN)**. Noteer numerieke waarden waar dat is aangegeven en omcirkel de **G** voor Geslaagd of de **M** voor Mislukt.

INSPECTIE:

1. Onderzoek het apparaat op externe schade en ontbrekende onderdelen; er mogen geen schade of ontbrekende onderdelen worden aangetroffen. **<RECORD RESULTS> (RESULTATEN VASTLEGGEN)**
2. Onderzoek het netsnoer op beschadigingen; er mag geen schade worden aangetroffen. **<RECORD RESULTS> (RESULTATEN VASTLEGGEN)**

INDICATIELAMPJES EN -GELUIDEN:

1. Sluit de UUT aan op voeding en druk op de aan/uit-knop. De aan/uit-knop moet GROEN oplichten en er moet een reeks van drie (3) tonen te horen zijn. RODE verlichting van de aan/uit-knop geeft aan dat de zelftest bij het inschakelen is mislukt. **<RECORD RESULTS> (RESULTATEN VASTLEGGEN)**
2. Steek de werkingstestkabel in de instrumentaansluiting. De instrumentaansluitingsindicator moet wit oplichten. **<RECORD RESULTS> (RESULTATEN VASTLEGGEN)**
3. Schakel de UUT uit. Houd de activeringsknop ingedrukt. Schakel het apparaat in terwijl u de activeringsknop ingedrukt houdt. De aan/uit-knop licht GROEN op en er moet een reeks van drie (3) tonen te horen zijn, gevolgd door een tweede toon, waarna de instrumentaansluitingsindicator ORANJE knippert. **<RECORD RESULTS> (RESULTATEN VASTLEGGEN)**
4. Verwijder de werkingstestkabel en schakel de UUT uit en weer in. De aan/uit-knop moet GROEN zijn. Terwijl u de activeringsknop op de werkingstestkabel ingedrukt houdt, steekt u de werkingstestkabel in de instrumentaansluiting. Er klinkt één toon, waarna de instrumentaansluitingsindicator ORANJE knippert. **<RECORD RESULTS> (RESULTATEN VASTLEGGEN)**
5. Schakel de UUT uit en vervolgens weer in om te resetten na de vorige stap. Zet de schakelaar op de werkingstestkabel in de stand 'Open' (Onderbroken) en houd de activeringsknop ingedrukt. De activeringsindicator wordt kortstondig PAARS en de afdichtingstoon begint, gevolgd door een ORANJE indicator gedurende ongeveer 1 seconde en de waarschuwing van 3 tonen voor opnieuw vastpakken. Dit kan klinken als 4 tonen. **<RECORD RESULTS> (RESULTATEN VASTLEGGEN)**
6. Zet de schakelaar op de werkingstestkabel in de stand "Short" (Kortsluiting). Houd de activeringsknop ingedrukt en bevestig dat de activeringsindicator PAARS verlicht is en in intensiteit varieert tussen uit en volledige intensiteit, met de afdichtingstoon. Dit wordt gevolgd door een ORANJE activeringsindicator en een alarm van 3 tonen. **<RECORD RESULTS> (RESULTATEN VASTLEGGEN)**
7. Met de schakelaar van de werkingstestkabel nog steeds in de stand "Short" (Kortsluiting) bereidt u zich voor om met de stopwatch de tijd te meten tussen het indrukken van de activeringsknop en het ORANJE worden van de indicator. Druk op de activeringsknop en meet de duur van de PAARSE fase (afdichtingsfase). **<RECORD RESULTS> (RESULTATEN VASTLEGGEN)**
8. Met de schakelaar van de werkingstestkabel nog steeds in de stand "Short" (Kortsluiting) bereidt u zich voor om aan de volumeknop te draaien tijdens de PAARSE fase (afdichtingsfase). Druk de activeringsknop in, draai de volumeknop naar beide uiterste standen en controleer of het volume verandert van minimaal naar maximaal. **<RECORD RESULTS> (RESULTATEN VASTLEGGEN)**
9. Verwijder de testkabel, schakel de UUT uit en koppel hem los van het stopcontact.

DE AARDVERBINDING TESTEN:

1. Schakel de ESA in
2. Sluit het netsnoer van de UUT aan op de ESA
3. Sluit de testkabel aan op de V/ Ω /A-aansluiting van de ESA om ohms (Ω) te meten.
4. Sluit de testkabel aan op de aardings-/nulaansluiting van de ESA.
5. Zorg dat de ESA weerstand (Ω) meet
6. Voer een nulinstelling van de ESA uit.
7. Sluit de testkabel aan op de potentiaalvereffeningsaansluiting van de UUT.

- Noteer de weerstandswaarde die via het netsnoer en de UUT wordt gemeten. **<RECORD RESULTS> (RESULTATEN VASTLEGGEN)**
- Koppel de UUT los van de ESA en schakel de ESA uit.

AARDLEKSTROOMTEST

- Schakel de ESA in.
- Sluit het netsnoer van de UUT aan op de ESA.
- Sluit de werkingstestkabel aan op de instrumentaansluiting.
- Stel de werkingstestkabel in op Normal (Normaal), stapel de RODE en ZWARTE bananenstekker op elkaar
- Steek de gestapelde stekkers in de RA/R-poort (weerstand) van de ESA
- Voer de volgende reeks tests uit met behulp van de microampère-instelling (μA) en EARTH (Aarde).
- Normaal/gesloten **<RECORD RESULTS> (RESULTATEN VASTLEGGEN)**
- Normaal/onderbroken **<RECORD RESULTS> (RESULTATEN VASTLEGGEN)**
- Omgekeerd/onderbroken **<RECORD RESULTS> (RESULTATEN VASTLEGGEN)**
- Omgekeerd/gesloten **<RECORD RESULTS> (RESULTATEN VASTLEGGEN)**
- Verwijder de werkingstestkabel en herhaal de bovenstaande reeks tests.
- Normaal/gesloten **<RECORD RESULTS> (RESULTATEN VASTLEGGEN)**
- Normaal/onderbroken **<RECORD RESULTS> (RESULTATEN VASTLEGGEN)**
- Omgekeerd/onderbroken **<RECORD RESULTS> (RESULTATEN VASTLEGGEN)**
- Omgekeerd/gesloten **<RECORD RESULTS> (RESULTATEN VASTLEGGEN)**
- Koppel de UUT los van de ESA en schakel de ESA uit.

IMPEDANTIETESTER

- Schakel de ESuA in
- Schakel de UUT in
- Stel de schakelaar van de werkingstestkabel in op Normal (Normaal)
- Steek de RODE en ZWARTE stekker van de werkingstestkabel in de bijbehorende VAR LOAD-aansluitingen (Variabele belasting) op de ESuA.
- Sluit de werkingstestkabel aan op de UUT
- Controleer of de aan/uit-knop GROEN is en of de instrumentaansluitingsindicator WIT is voordat u verdergaat.

Belangrijk

De CoolSeal™-generator test een reeks uitgangsvermogens. De eerste activering vindt plaats met een uitgangsvermogen van 25 watt, de tweede activering met een uitgangsvermogen van 35 watt en de derde activering met een uitgangsvermogen van 50 watt. Bij de vierde activering begint deze reeks opnieuw. Om de reeks opnieuw te starten vanaf een bekend uitgangspunt, koppelt u eenvoudig de werkingstestkabel los en sluit u hem weer aan.

Belangrijk

Bij gebruik van de werkingstestkabel brengt de CoolSeal™-generator het apparaat in een storingstoestand als de weerstandsbelasting aanzienlijk verandert. Dit is onwaarschijnlijk tijdens de test van de werking, maar als het toch gebeurt, schakelt u het apparaat gewoon uit en weer in om het apparaat te resetten.

- Stel de belasting van de ESuA in op 25 ohm.
- Start de test op de ESuA.

-
9. Houd de activeringsknop ingedrukt.
 10. Kijk bij 25 ohm of het maximale vermogen 25 watt bedraagt. **<RECORD RESULTS> (RESULTATEN VASTLEGGEN)**
 11. Houd de activeringsknop ingedrukt.
 12. Kijk bij 25 ohm of het maximale vermogen 35 watt bedraagt. **<RECORD RESULTS> (RESULTATEN VASTLEGGEN)**
 13. Houd de activeringsknop ingedrukt.
 14. Kijk bij 25 ohm of het maximale vermogen 50 watt bedraagt. **<RECORD RESULTS> (RESULTATEN VASTLEGGEN)**
 15. Stop de test op de ESuA.
 16. Stel de belasting van de ESuA in op 50 ohm
 17. Start de test op de ESuA.
 18. Houd de activeringsknop ingedrukt.
 19. Kijk bij 50 ohm of het maximale vermogen 25 watt bedraagt. **<RECORD RESULTS> (RESULTATEN VASTLEGGEN)**
 20. Houd de activeringsknop ingedrukt.
 21. Kijk bij 50 ohm of het maximale vermogen 35 watt bedraagt. **<RECORD RESULTS> (RESULTATEN VASTLEGGEN)**
 22. Houd de activeringsknop ingedrukt.
 23. Kijk bij 50 ohm of het maximale vermogen 50 watt bedraagt. **<RECORD RESULTS> (RESULTATEN VASTLEGGEN)**
 24. Stop de test op de ESuA.
 25. Stel de belasting van de ESuA in op 225 ohm
 26. Start de test op de ESuA.
 27. Houd de activeringsknop ingedrukt.
 28. Kijk bij 225 ohm of het maximale vermogen 25 watt bedraagt. **<RECORD RESULTS> (RESULTATEN VASTLEGGEN)**
 29. Houd de activeringsknop ingedrukt.
 30. Kijk bij 225 ohm of het maximale vermogen 35 watt bedraagt. **<RECORD RESULTS> (RESULTATEN VASTLEGGEN)**
 31. Houd de activeringsknop ingedrukt.
 32. Kijk bij 225 ohm of het maximale vermogen 50 watt bedraagt. **<RECORD RESULTS> (RESULTATEN VASTLEGGEN)**
 33. Stop de test op de ESuA.
 34. Schakel alles uit en koppel de UUT los van de testapparatuur.

Overzichtsformulier periodieke test van de werking

Overzichtsformulier periodieke test van de werking, pagina 1/2

Serienr. generator: _____

Stap	TEST	VEREISTE	Waarden vastleggen	Geslaagd/ mislukt omcirkelen
Inspectie				
1	Inspectie buitenkant apparaat	Geen schade		G / M
2	Netsnoer	Geen schade		G / M
Indicatielampjes en -geluiden				
1	Normaal inschakelen	GROENE aan/uit-knop en 3 tonen		G / M
2	Normaal aansluiten van instrument	Witte aansluitingsindicator		G / M
3	Vastzittende knop tijdens inschakelen	1) GROENE aan/uit-knop en 3 tonen 2) 1 toon, vervolgens knipperende ORANJE indicator		G / M
4	Vastzittende knop na het inschakelen	1 toon, vervolgens knipperende ORANJE indicator		G / M
5	Test onderbroken circuit	1) Kortstondig PAARSE indicator met toon 2) ORANJE indicator met alarm van 3 tonen		G / M
6	Kortsluitingstest	1) 4 seconden PAARSE indicator met toon 2) ORANJE indicator met alarm van 3 tonen		G / M
7	Timing afdichting	Ca. 4 seconden variërende PAARSE indicator	_____s	G / M
8	Volumetest	Volume verandert tussen min. en max. niveau		G / M

Naam tester

Handtekening

Datum

Overzichtsformulier periodieke test van de werking, pagina 2/2

Serienr. generator: _____

Stap	TEST	VEREISTE	Waarden vastleggen	Geslaagd/ mislukt omcirkelen
Aardverbinding testen				
8	Waarde aardverbinding	< 0,200 ohm	_____ ohm	G / M
Aardlekstroomtest				
7	Normaal/gesloten met kabel	< 0,500 μ A	_____ μ A	G / M
8	Normaal/onderbroken met kabel		_____ μ A	G / M
9	Omgekeerd/onderbroken met kabel		_____ μ A	G / M
10	Omgekeerd/gesloten met kabel		_____ μ A	G / M
12	Normaal/gesloten zonder kabel		_____ μ A	G / M
13	Normaal/onderbroken zonder kabel		_____ μ A	G / M
14	Omgekeerd/onderbroken zonder kabel		_____ μ A	G / M
15	Omgekeerd/gesloten zonder kabel		_____ μ A	G / M
Impedantie				
10	Impedantie 25 Ω /vermogen 25 W	20 W – 30 W	_____ W	G / M
12	Impedantie 25 Ω /vermogen 35 W	28 W – 42 W	_____ W	G / M
14	Impedantie 25 Ω /vermogen 50 W	40 W – 60 W	_____ W	G / M
19	Impedantie 50 Ω /vermogen 25 W	20 W – 30 W	_____ W	G / M
21	Impedantie 50 Ω /vermogen 35 W	28 W – 42 W	_____ W	G / M
23	Impedantie 50 Ω /vermogen 50 W	40 W – 60 W	_____ W	G / M
28	Impedantie 225 Ω /vermogen 25 W	20 W – 30 W	_____ W	G / M
30	Impedantie 225 Ω /vermogen 35 W	28 W – 42 W	_____ W	G / M
32	Impedantie 225 Ω /vermogen 50 W	40 W – 60 W	_____ W	G / M

Naam tester

Handtekening

Datum

Garantie

Bolder Surgical garandeert dat elk door hem vervaardigd product bij normaal gebruik en onderhoud gedurende de hieronder vermelde termijn(en) vrij blijft van materiaal- en fabricagefouten. De enige verplichting van Bolder Surgical en het enige rechtsmiddel van de klant bij een schending van deze garantie beperkt zich tot reparatie of vervanging, naar keuze van Bolder Surgical, van een product, of een onderdeel daarvan, dat aan hem of zijn distributeur wordt geretourneerd binnen de hieronder vermelde geldende termijn na levering van het product aan de oorspronkelijke koper, mits Bolder Surgical na onderzoek overtuigd is dat het product defect is. Deze garantie is niet van toepassing op producten of onderdelen daarvan die zijn gerepareerd of gewijzigd door iemand anders dan Bolder Surgical of zijn gemachtigde vertegenwoordigers, of die zijn blootgesteld aan verkeerd gebruik, verwaarlozing of een ongeval. De garantietermijnen voor producten van Bolder Surgical luiden als volgt:

Producttype	Garantietermijn (termijn na verzending door Bolder Surgical)
CoolSeal™-generator	1 jaar vanaf de verzendingsdatum

MET UITZONDERING VAN DE BOVENSTAANDE BEPERKTE GARANTIES, WIJST BOLDER SURGICAL, VOOR ZOVER TOEGESTAAN DOOR DE TOEPASSELIJKE WETGEVING, UITDRUKKELIJK ALLE ANDERE GARANTIES, EXPLICIET, IMPLICIET OF WETTELIJK, AF, MET INBEGRIJF VAN MAAR NIET BEPERKT TOT DE IMPLICIETE GARANTIES VAN VERHANDELBAARHEID EN NIET-INBREUK.

NIETTEGENSTAANDE EVENTUELE ANDERE BEPALINGEN IN DEZE OF IN EEN ANDER DOCUMENT OF MEDEDELING DIE HIERMEE STRIIDIG ZIJN, IS BOLDER SURGICAL ONDER GEEN BEDING AANSPRAKELIJK VOOR WINST- OF INKOMSTENDERVENING, VERLIES VAN PRODUCTEN, VERLIES VAN HET GEBRUIK VAN PRODUCTEN, ONDERBREKING VAN DE BEDRIJFSVOERING, NOCH VOOR EVENTUELE BIJZONDERE, GEVOLG-, BIJKOMENDE, INDIRECTE, PUNITIEVE OF TER VOORBEELD DIENENDE SCHADE. DE TOTALE AANSPRAKELIJKHEID VAN BOLDER SURGICAL VOOR ALLE VORDERINGEN DIE VOORTVLOEIEN UIT OF VERBAND HOUDEN MET DEZE OVEREENKOMST EN WELK PRODUCT DAN OOK IS BEPERKT TOT EEN ALGEMEEN GELDELIJK SCHADEVERGOEDINGSBEDRAG DAT NIET HOGER IS DAN DE TOTALE AANKOOPPRIJS VOOR HET PRODUCT DAT AANLEIDING HEEFT GEGEVEN TOT DE VORDERING. Deze beperkingen en uitsluitingen zijn van toepassing ongeacht of een vordering is gebaseerd op verbintenissenrecht, garantie, schadeloosstelling, onrechtmatige daad, buitencontractuele aansprakelijkheid (waaronder nalatigheid), strikte aansprakelijkheid of anderszins. Bolder Surgical aanvaardt geen andere aansprakelijkheid in verband met de verkoop of het gebruik van producten van Bolder Surgical en machtigt geen enkele andere partij om dit te doen.

Deze garantie en de rechten en plichten uit hoofde hiervan worden geïnterpreteerd volgens en beheerst door de wetten van de staat Colorado, VS. Elke rechtszaak of procedure die voortvloeit uit of verband houdt met deze garantie wordt uitsluitend voorgelegd aan de deelstatelijke of federale rechtbank in Boulder of Denver, Colorado, VS, en de klant doet hierbij afstand van elk recht om bezwaar te maken tegen de locatie van de betreffende rechtbanken. Bolder Surgical, haar dealers en vertegenwoordigers behouden zich het recht voor om hun producten te wijzigen, aan te passen of het ontwerp daarvan te wijzigen zonder enige verplichting om eerder door hen vervaardigde en/of verkochte producten te wijzigen of te vervangen.

Innholdsfortegnelse

Forord	384
Utstyr som dekkes i denne håndboken	384
Patentinformasjon:	384
Varemerkebekreftelser	384
Produsert av:	384
For informasjon, ring	384
Konvensjoner brukt i denne veiledningen	384
Kapittel 1. Oversikt og generelle funksjoner	385
Innledning	385
Indikasjon for bruk.....	385
Kontraindikasjoner for bruk	385
Frontpanel	386
Bakpanel.....	386
Sett nedenfra	387
Liste over tilbehør	387
Kompatible karforseglinginstrumenter	387
Kapittel 2. Sikkerhet for pasient og operasjonssal.....	388
Advarsler og forsiktighetsregler	388
Oversikt.....	388
Sikkerhet ved generatoroppsett.....	388
Elektromagnetisk kompatibilitet	389
Brannfare under orofaryngeal kirurgi	389
Pacemakere og ICD-er	389
Koble til et CoolSeal™-instrument	390
Rengjøre CoolSeal™-generatoren	390
Service på CoolSeal™-generatoren	390
Kapittel 3. Oppsett og bruk av CoolSeal™-generatoren.....	391
Pakke ut CoolSeal™-generatoren	391
Innsisere CoolSeal™-generatoren	391
Oppsettsikkerhet.....	391
Sette opp CoolSeal™-generatoren.....	392
Justere volumet	393

Koble til et CoolSeal™-instrument.....	393
Koble et CoolSeal™-instrument til CoolSeal™-generatoren.....	393
Aktivere et CoolSeal™-instrument	393
Beskrivelser av varseltilstander	394
Kapittel 4. Etter kirurgi	397
Slå av CoolSeal™-generatoren.....	397
Klargjøre CoolSeal™-generatoren for gjenbruk	397
Kapittel 5. Feilsøking.....	398
Generelle retningslinjer for feilsøking	398
Korriger feil.....	398
Unormal pasientrespons	398
Funksjonsfeil på CoolSeal™-generatoren	398
Mulige interaksjoner med andre enheter	400
Kapittel 6. Periodisk funksjonstesting, vedlikehold og service	401
Produsentens ansvar	401
Periodisk funksjonstesting og vedlikehold.....	401
Når skal periodisk funksjonstesting utføres?	401
Når må strømledningen skiftes ut?	401
Når skal sikringene skiftes?	401
Hvordan kan sikringene skiftes?	401
Produktservice	402
Returnere CoolSeal™-generatoren for service	402
Programvareoppgraderinger.....	402
Kapittel 7. Tekniske spesifikasjoner.....	403
Ytelseegenskaper	403
Generelt.....	403
Mål og vekt.....	403
Driftsparametere.....	403
Transport og oppbevaring	403
Internminne.....	403
Aktiveringstone	404
Varseltoner.....	404
Inngangseffekt.....	404
Spesifikasjoner for strømledning.....	404

Tekniske spesifikasjoner	405
Inngangsfrekvens.....	405
Inngangsstrøm	405
Reservestrøm	405
Ekvipotensialkobling.....	405
Driftssyklus.....	405
Lavfrekvent (50/60 Hz) lekkasjestrøm.....	405
Standarder og IEC-klassifiseringer	405
Symboler	406
Klassifiseringer	407
Klasse I-utstyr (IEC 60601-1).....	407
Elektromagnetisk kompatibilitet (IEC 60601-1-2).....	407
Utstyr av type CF (IEC 60601-1)	407
IP XX væskeinntrengning/-søl (IEC 60601-1 og IEC 60601-2-2)	407
Spenningstransienter – nettstrømovertøring til energiplattformen (IEC60601-1 og IEC 60601-2-2)	407
Elektromagnetisk kompatibilitet (IEC 60601-1-2 og IEC60601-2-2)	407
Utgangsegenskaper.....	407
Maksimal effekt for CoolSeal™-generatoren.....	407
Elektromagnetisk immunitet	408
Tillegg A – Periodisk funksjonstest	412
Definisjoner.....	412
Nødvendig utstyr:	412
Kriterier for bestått / ikke bestått:.....	412
Prosedyre:.....	413
Oppsummeringsskjema for periodisk funksjonstest.....	416
Garanti.....	418

Forord

Denne håndboken og utstyret den beskriver, skal kun brukes av kvalifisert medisinsk personell som har opplæring i den bestemte teknikken og den kirurgiske prosedyren som skal utføres. Den er kun ment som en veiledning for bruk av CoolSeal™-generatoren.

Utstyr som dekkes i denne håndboken

CoolSeal™-generator – CSL-200-50

Patentinformasjon

<https://BolderSurgical.com/patents/>

Varemerkebekreftelser

CoolSeal™-generator

Produsert av:



Bolder Surgical
331 S. 104th Street, suite 200
Louisville, CO 80027, USA
Produsert i USA
Tlf.: +1 866 683 1743
www.BolderSurgical.com

Autorisert representant:



Emergo Europe B.V.
Prinsessegracht 20
2514 AP Haag
Nederland

For informasjon, ring

+1 866 683 1743

Konvensjoner brukt i denne veiledningen

Advarsel

Indikerer en potensielt farlig situasjon som, hvis den ikke unngås, kan føre til død eller alvorlig personskade

Forsiktig

Indikerer en potensielt farlig situasjon som, hvis den ikke unngås, kan føre til mindre eller moderat personskade

Varsel

Indikerer en fare som kan føre til produktskade.

Viktig

Indikerer et brukstips eller vedlikeholdsforslag.

Kapittel 1. Oversikt og generelle funksjoner

Denne delen inneholder følgende informasjon:

- Innledning
- Indikasjoner for bruk
- Kontraindikasjoner for bruk
- Frontpanel
- Bakpanel
- Sett nedenfra
- Liste over tilbehør
- Kompatible karforseglingsinstrumenter

Forsiktig

Les alle advarsler, forsiktighetsregler og instruksjoner som følger med denne generatoren, før bruk. Spesifikke instruksjoner for CoolSeal™-instrumenter er ikke inkludert i denne håndboken. Se bruksanvisningen for CoolSeal™-instrumentet for advarsler, forsiktighetsregler og instruksjoner for bruk.

Føderal lov (USA) begrenser denne enheten til salg av eller på bestilling fra en lege.

Innledning

CoolSeal™-generatoren gir radiofrekvensenergi (RF-energi) for karforseglingsbruk.

CoolSeal™-generatoren oppdager automatisk kodede instrumenter og konfigurerer CoolSeal™-generatoren tilsvarende. Sikkerhets- og diagnosefunksjoner inkluderer automatiske feilsikringsfunksjoner.

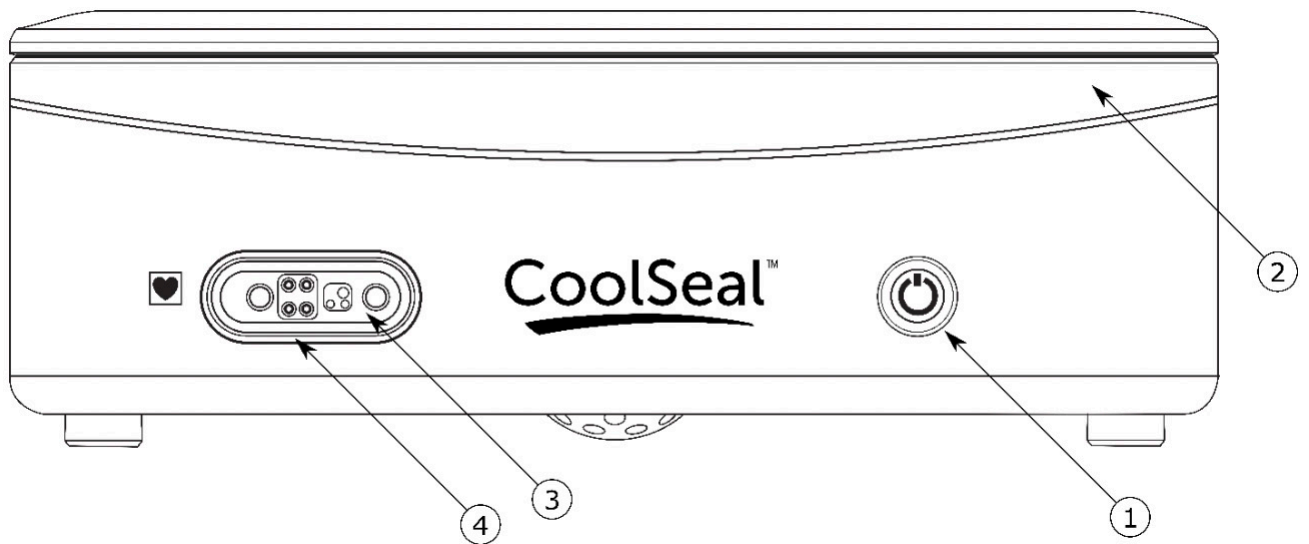
Indikasjon for bruk

CoolSeal™-generatoren er beregnet på å gi radiofrekvensenergi (RF-energi) til kompatible CoolSeal™-instrumenter for karforseglingsbruk. Det spesifikke bruksområdet vil avhenge av det kompatible kirurgiske utstyret som er koblet til generatoren. Denne generatoren er utformet for bruk kun med kirurgisk utstyr som er kompatibelt med CoolSeal™-teknologien.

Kontraindikasjoner for bruk

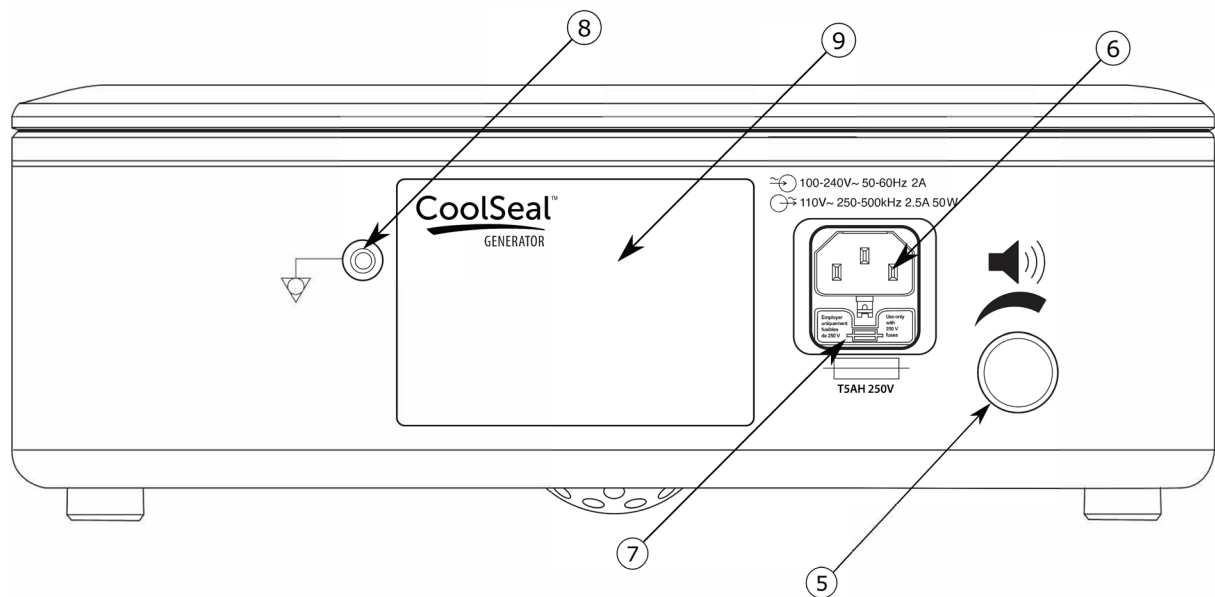
Ingen kjente spesifikt for CoolSeal™-generatoren.

Frontpanel



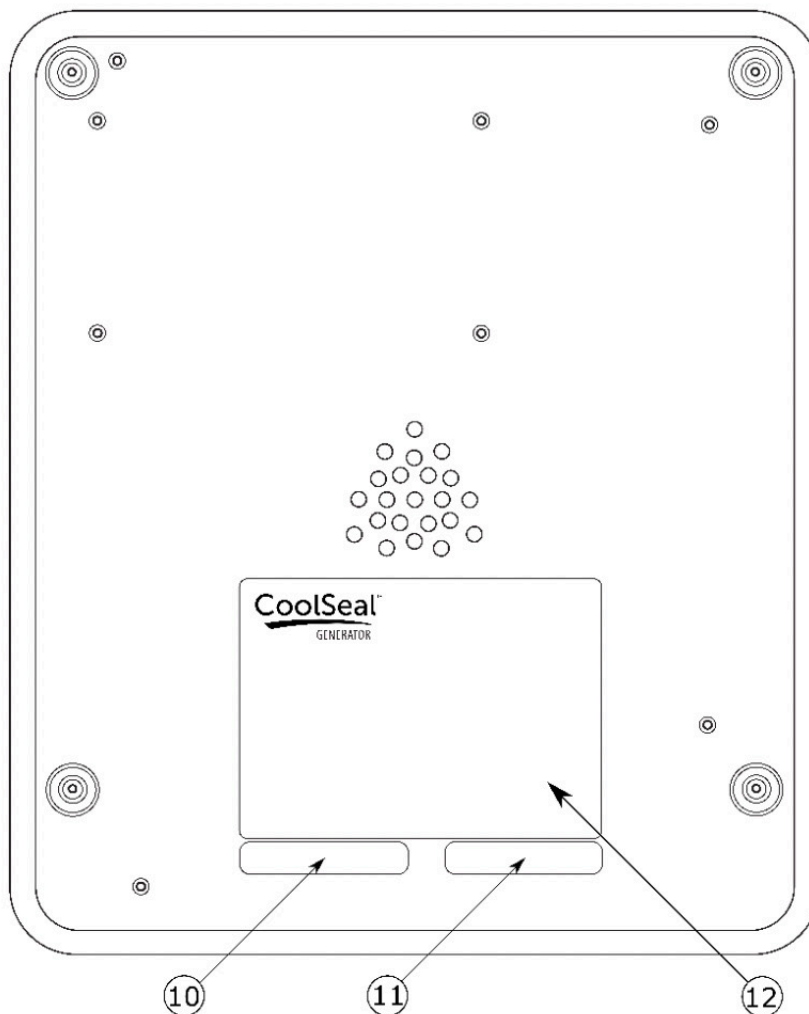
- (1) Strømknapp med lys
- (2) Aktiveringsdisplay
- (3) CoolSeal™ instrumentkontakt
- (4) Instrumentkontaktdisplay

Bakpanel



- (5) Volumjusteringskontroll
- (6) Strømledningskontakt
- (7) Sikringskuff
- (8) Ekvipotensialkontakt
- (9) Etikett med sikkerhetsadvarsler og forsiktighetsregler

Sett nedenfra



- (10) Etikett med endelig testdato
- (11) Programvareversjonsetikett
- (12) Produksjonsinformasjonsetikett

Liste over tilbehør

Strømledning – USA-spesifikk
CSL-FTC funksjonstestkabel (ikke inkludert)

Kompatible karforseglingssystemer

Kompatible CoolSeal™-instrumenter har koblinger som samsvarer med følgende illustrasjon. Se bruksanvisningen for CoolSeal™-instrumentet for informasjon om kompatibilitet med CoolSeal™-teknologien.



Kapittel 2. Sikkerhet for pasient og operasjonssal

Sikker og effektiv bruk av elektrokirurgi avhenger i stor grad av faktorer som bare er under operatørens kontroll. Det finnes ingen erstatning for et riktig opplært og årvåkent kirurgisk team. Det er viktig at bruksanvisningen som følger med dette eller annet elektrokirurgisk utstyr, leses, forstås og følges. Elektrokirurgi har blitt brukt trygt i mange prosedyrer. Før en kirurgisk prosedyre påbegynnes, skal kirurgen være opplært i den bestemte teknikken og den kirurgiske prosedyren som skal utføres, være kjent med den medisinske litteraturen som er relatert til prosedyren og mulige komplikasjoner, og være kjent med risikoene kontra fordelene ved å bruke elektrokirurgi i prosedyren.

For å fremme sikker bruk av CoolSeal™-generatoren presenterer dette avsnittet advarslene og forsiktighetsreglene som vises gjennom hele denne brukerveiledningen. Det er også viktig at du leser, forstås og følger anvisningene for bruk i bruksanvisningen for CoolSeal™-instrumentet.

Advarsler og forsiktighetsregler

Oversikt

Forsiktig
Les alle advarsler, forsiktighetsregler og instruksjoner som følger med denne generatoren, før bruk. Spesifikke instruksjoner for CoolSeal™-instrumenter er ikke inkludert i denne håndboken. Se bruksanvisningen for CoolSeal™-instrumentet for advarsler, forsiktighetsregler og instruksjoner for bruk.
Føderal lov (USA) begrenser denne enheten til salg av eller på bestilling fra en lege.

Sikkerhet ved generatoroppsett

Advarsel
Fare for elektrisk støt: Koble systemets strømledning til en forsvarlig jordet stikkontakt. Ikke bruk strømadaptere.
Brannfare: Ikke bruk skjøteledninger eller stikkontakter med flere uttak.
Pasientsikkerhet: Bruk CoolSeal™-generatoren kun hvis selvtesten ved oppstart er fullført som beskrevet i denne håndboken, ellers kan det oppstå unøyaktige utgangseffekter.
Dette utstyret skal kun brukes av opplærte, autoriserte leger. Bruk av dette utstyret uten slik opplæring kan føre til alvorlig pasientskade.
CoolSeal™-generatoren er kun kompatibel med CoolSeal™-instrumenter. Ingen andre bipolare instrumenter kan brukes.
Ikke vikle instrumentledningene rundt metallgjenstander. Dette kan føre til lekkasjestrømmer som kan føre til støt, brann eller skade på pasienten eller det kirurgiske teamet.
Fare for elektrisk støt: Ikke koble våte instrumentkoblinger til CoolSeal™-generatoren. Kontroller at alle instrumenter og adaptere er riktig tilkoblet.
Inspiser utstyrs kabelen for brudd, sprekker, hakk og annen skade før hver bruk. Må ikke brukes hvis den er skadet. Skadede utstyrs kabler kan føre til skade eller elektrisk støt på pasienten eller det kirurgiske teamet.

Forsiktig

Sett systemets volumkontroll på et nivå som sikrer at aktiveringstonene kan høres.

Ikke skru ned aktiveringstonen til et uohørlig lydnivå. Aktiveringstonen varsler det kirurgiske teamet når CoolSeal™-generatoren leverer RF-energi.

Undersøk alle instrumenter og tilkoblinger til systemet før bruk. Kontroller at instrumentene fungerer som de skal. Feil tilkobling kan føre til lysbuer, gnister, funksjonsfeil i instrumentet eller utilsiktede kirurgiske virkninger.

En ikke-fungerende CoolSeal™-generator kan føre til avbrudd i operasjonen. Et reservesystem skal være tilgjengelig for bruk.

Bruk av andre apparatkoblinger, dvs. strømledninger, enn dem som er spesifisert, kan føre til økt stråling eller redusert immunitet for utstyret.

Sørg for så stor avstand som mulig mellom CoolSeal™-generatoren og annet elektronisk utstyr som monitører. Ikke kryss eller bunt ledningene til elektronisk utstyr. Denne generatoren kan forårsake interferens med annet elektronisk utstyr. Flytt utstyret hvis det oppstår interferens.

Studier har vist at røyk som genereres under elektrokirurgiske prosedyrer, kan være potensielt skadelig for pasienter og det kirurgiske teamet. Disse studiene anbefaler tilstrekkelig ventilasjon av røyken ved bruk av et kirurgisk røykavsug eller andre metoder.¹

1. U.S. Department of Health and Human Services. National Institute for Occupational Safety and Health (NIOSH). Control of Smoke from Laser/Electric Surgical Procedures. HAZARD CONTROLS, Publication No. 96-128, September 1996.

Elektromagnetisk kompatibilitet

Advarsel

Bruk av dette utstyret ved siden av eller stablet sammen med annet utstyr bør unngås, da det kan føre til feil drift. Hvis slik bruk er nødvendig, skal dette utstyret og det andre utstyret observeres for å bekrefte at de fungerer normalt.

Bærbart RF-kommunikasjonsutstyr skal ikke brukes nærmere noen del av CoolSeal™-generatoren, inkludert kabler spesifisert av Bolder Surgical, enn 30 cm (12 tommer). Ellers kan ytelsen til dette utstyret bli redusert.

Brannfare under orofaryngeal kirurgi

Advarsel

Kontroller at endotrakealtubene ikke lekker, og at mansjetten tetter skikkelig for å hindre oksygenlekkasjer.

Pacemakere og ICD-er

Advarsel

SKAL IKKE BRUKES på pasienter som har elektroniske implantater som pacemakere uten først å rådføre seg med en kvalifisert fagperson (f.eks. kardiolog). Det er en mulig fare fordi det kan oppstå interferens med det elektroniske implantatets funksjon, eller implantatet kan bli skadet.

Koble til et CoolSeal™-instrument

Advarsel

Fare for elektrisk støt

- Ikke koble våte instrumenter til CoolSeal™-generatoren.
- Sørg for at alle instrumenter er riktig tilkoblet, og at ikke noe metall er eksponert på noe tilkoblingspunkt.

Koble instrumentet riktig i kontakten. Feil tilkobling kan føre til utilsiktet aktivering av instrumentet eller andre potensielt farlige forhold. Følg instruksjonene som følger med CoolSeal™-karforseglingsinstrumenter.

Instrumentkontakten på dette systemet er kun utformet for å ta imot ett instrument om gangen. Ikke forsøk å koble til mer enn ett instrument om gangen i en gitt kontakt. Dette vil føre til at instrumentene aktiveres samtidig.

Forsiktig

Inspiser instrumenter og ledninger for brudd, sprekker, hakk og annen skade før hver bruk. Må ikke brukes hvis den er skadet. Skadede instrumenter eller ledninger kan føre til skade eller elektrisk støt på pasienten eller det kirurgiske teamet.

Rengjøre CoolSeal™-generatoren

Advarsel

Fare for elektrisk støt

Slå alltid av og koble fra CoolSeal™-generatoren før rengjøring.

Service på CoolSeal™-generatoren

Advarsel

Fare for elektrisk støt

Ikke fjern CoolSeal™-generatordekselet.

Ikke forsøk å utføre service på CoolSeal™-generatoren. All service og reparasjon må utføres av en Bolder Surgical™-tekniker.

Forsiktig

CoolSeal™-generatoren må ikke kastes sammen med annet avfall etter endt levetid. For å resirkulere avfallsutstyr innhenter du instruksjoner fra Bolder Surgical (ring +1 866 683 1743) eller kontakter din lokale salgsrepresentant for å diskutere lokale avfalls løsninger og -prosesser. CoolSeal™-generatoren utgjør en avhendingsrisiko tilsvarende forbrukerelektronikk som datamaskiner. Det finnes ingen radioaktive stoffer, batterier eller farlige væsker som kan lekke i CoolSeal™-generatoren.

Kapittel 3. Oppsett og bruk av CoolSeal™-generatoren

Dette kapittelet dekker følgende emner:

- Pakke ut CoolSeal™-generatoren
- Inspisere CoolSeal™-generatoren
- Oppsettssikkerhet
- Sette opp CoolSeal™-generatoren
- Justere volumet på aktiveringstoner
- Koble til et CoolSeal™-instrument
- Aktivere CoolSeal™-instrumentet
- Beskrivelser av varseltilstander

Forsiktig

Les alle advarsler, forsiktighetsregler og instruksjoner som følger med denne generatoren, før bruk. Spesifikke instruksjoner for CoolSeal™-instrumenter er ikke inkludert i denne håndboken. Se bruksanvisningen for CoolSeal™-instrumentet for advarsler, forsiktighetsregler og instruksjoner for bruk.

Pakke ut CoolSeal™-generatoren

1. Ta CoolSeal™-generatoren ut av transportesken og emballasjen.
2. Inspiser enheten for synlig skade.

Inspisere CoolSeal™-generatoren

Før hver gangs bruk av CoolSeal™-generatoren må det kontrolleres at enheten og alt tilbehør er i god stand:

- Inspiser for skade på generatoren og alle dens tilkoblinger.
- Inspiser alle ledninger og koblinger for tegn på slitasje, skade og abrasjon.
- Kontroller at det ikke oppstår feil når du slår på enheten.

Oppsettssikkerhet

Advarsel

Fare for elektrisk støt: Koble systemets strømledning til en forsvarlig jordet stikkontakt. Ikke bruk strømadaptere.

Brannfare: Ikke bruk skjøteledninger eller stikkontakter med flere uttak.

Pasientsikkerhet: Bruk CoolSeal™-generatoren kun hvis selvtesten ved oppstart er fullført som beskrevet i denne håndboken, ellers kan det oppstå unøyaktige utgangseffekter.

Dette utstyret skal kun brukes av opplærte, autoriserte leger. Bruk av dette utstyret uten slik opplæring kan føre til alvorlig pasientskade.

CoolSeal™-generatoren er kun kompatibel med CoolSeal™-instrumenter. Ingen andre bipolare instrumenter kan brukes.

Ikke vikle instrumentledningene rundt metallgjenstander. Dette kan føre til lekkasjestrømmer som kan føre til støt, brann eller skade på pasienten eller det kirurgiske teamet.

Fare for elektrisk støt: Ikke koble våte instrumentkoblinger til CoolSeal™-generatoren. Kontroller at alle instrumenter og adaptere er riktig tilkoblet.

Inspiser utstyrs kabelen for brudd, sprekker, hakk og annen skade før hver bruk. Må ikke brukes hvis den er skadet. Skadede utstyrs kabler kan føre til skade eller elektrisk støt på pasienten eller det kirurgiske teamet.

Forsiktig

Sett systemets volumkontroll på et nivå som sikrer at aktiveringstonene kan høres.

Ikke skru ned aktiveringstonen til et uhørlig lydnivå. Aktiveringstonen varsler det kirurgiske teamet når CoolSeal™-generatoren leverer RF-energi.

Undersøk alle instrumenter og tilkoblinger til systemet før bruk. Kontroller at instrumentene fungerer som de skal. Feil tilkobling kan føre til lysbuer, gnister, funksjonsfeil i instrumentet eller utilsiktede kirurgiske virkninger.

En ikke-fungerende CoolSeal™-generator kan føre til avbrudd i operasjonen. Et reservesystem skal være tilgjengelig for bruk.

Bruk av andre apparatkoblinger, dvs. strømledninger, enn dem som er spesifisert, kan føre til økt stråling eller redusert immunitet for utstyret.

Sørg for så stor avstand som mulig mellom CoolSeal™-generatoren og annet elektronisk utstyr som monitører. Ikke kryss eller bunt ledningene til elektronisk utstyr. Denne generatoren kan forårsake interferens med annet elektronisk utstyr. Flytt utstyret hvis det oppstår interferens.

Studier har vist at røyk som genereres under elektrokirurgiske prosedyrer, kan være potensielt skadelig for pasienter og det kirurgiske teamet. Disse studiene anbefaler tilstrekkelig ventilasjon av røyken ved bruk av et kirurgisk røykavsug eller andre metoder.¹

1. U.S. Department of Health and Human Services. National Institute for Occupational Safety and Health (NIOSH). Control of Smoke from Laser/Electric Surgical Procedures. HAZARD CONTROLS, Publication No. 96-128, September 1996.

Sette opp CoolSeal™-generatoren

1. Plasser CoolSeal™-generatoren på et flatt, stabilt underlag som et bord, en plattform, en stativarm eller en vogn. Vogner med ikke-ledende hjul anbefales. Se prosedyrene for din lokale institusjon eller lokale forskrifter.
2. Hvis institusjonen eller lokale forskrifter krever det, kobler du ekvipotensialkoblingen til en jordkilde.
3. Koble systemets strømledning til strøminntaket på bakpanelet.
4. Koble systemets strømledning til en jordet stikkontakt.


Varsel

Ikke koble CoolSeal™-generatoren til et grenuttak eller en skjøteledning.

Ikke plasser apparatet slik at det er vanskelig å koble fra strømledningen.

Viktig

Hvis den transporteres eller oppbevares ved temperaturer utenfor driftstemperaturområdet, må du gi CoolSeal™-generatoren en time for å nå driftstemperatur før bruk.

Slå på systemet ved å trykke på strømknappen () foran på enheten. Vær oppmerksom på følgende under selvtesten ved oppstart:

- Enheten utfører en selvtest ved oppstart.
- Strømknappen lyser grønt.
- Lydalarmen lyder tre (3) ½ sekunds toner etter at selvtesten er fullført.

Varsel

Kontroller at systemet har fullført selvtesten ved oppstart før instrumentene kobles til.

Hvis enheten ikke består selvtesten ved oppstart:

- Strømknappen lyser ikke eller lyser rødt
- Et lydsignal lyder med en (1) ½ sekunds tone etter mislykket selvtest

Se avsnittet *Beskrivelser av varseltilstander eller kapittelet Feilsøking* for mer informasjon

Justere volumet

Volumet på varsel- og aktiveringstonene kan justeres ved å vri på volumknappen på bakpanelet på CoolSeal™-generatoren.

Varsel

Minimumsvolumet for varseltoner vil alltid være høyere enn aktiveringstonen.

Koble til et CoolSeal™-instrument

Advarsel

Fare for elektrisk støt

- Ikke koble våte instrumenter til CoolSeal™-generatoren.
- Sørg for at alle instrumenter er riktig tilkoblet, og at ikke noe metall er eksponert på noe tilkoblingspunkt.

Koble instrumentet riktig i kontakten. Feil tilkobling kan føre til utilsiktet aktivering av instrumentet eller andre potensielt farlige forhold. Følg instruksjonene som følger med CoolSeal™-instrumentene, for riktig tilkobling og bruk.

Instrumentkontakten på dette systemet er kun utformet for å ta imot ett instrument om gangen. Ikke forsøk å koble til mer enn ett instrument om gangen i en gitt kontakt. Dette vil føre til at instrumentene aktiveres samtidig.

Forsiktig

Inspiser instrumenter og ledninger for brudd, sprekker, hakk og annen skade før hver bruk. Må ikke brukes hvis den er skadet. Skadede instrumenter eller ledninger kan føre til skade eller elektrisk støt på pasienten eller det kirurgiske teamet.

Koble et CoolSeal™-instrument til CoolSeal™-generatoren

1. Koble et CoolSeal™-instrument til instrumentkontakten på frontpanelet på CoolSeal™-generatoren.
2. Bekreft riktig plassering og tilkobling ved å observere det grønne lysende instrumentkontaktdisplayet.

Hvis CoolSeal™-generatoren ikke gjenkjenner det tilkoblede instrumentet, vil instrumentkontaktdisplayet lyse rødt eller ikke lyse, og en enkelt varsel tone vil lyde. Se avsnittet Beskrivelser av varseltilstander eller kapittelet Feilsøking.

Aktivere et CoolSeal™-instrument

1. Aktiver CoolSeal™-instrumentet i henhold til instrumentets bruksanvisning.
2. Vær oppmerksom på følgende under instrumentaktivering:
 - Aktiveringsdisplayet lyser blått og varierer i lysstyrke så lenge energileveringen varer.
 - En aktiveringstone høres kontinuerlig under energilevering.
3. Når forseglingscyklusen er fullført, må du være oppmerksom på følgende:
 - En sekvens med tre toner vil høres når forseglingen er fullført. Aktiveringsknappen skal deretter slippes opp.
 - Aktiveringsdisplayet på frontpanelet på CoolSeal™-generatoren lyser blått et øyeblikk.
 - Aktiveringsdisplayet slukkes deretter.

Hvis det oppstår en varseltilstand, se avsnittet Beskrivelser av varseltilstander eller kapittelet Feilsøking.

Beskrivelser av varseltilstander

Når en varseltilstand oppstår:

- En varseltone vil lyde.
- Ett av displayene på CoolSeal™-generatoren vil lyse blått, gult eller rødt.
- Energileveringen vil bli avbrutt.

Energi vil være tilgjengelig etter at varseltilstanden er korrigert. Se følgende tabell for å løse varseltilstander:

Varseltilstand:	Indikert av:	Årsaker:	Løsning:
Forsegling fullført	<ul style="list-style-type: none"> • En varseltone med tre sekvenser • Levering av RF-energi stopper • Aktiveringsdisplayet lyser blått i et halvt (0,5) sekund 	Vellykket karforsegling.	Ingen. Normal drift.
Reaktiver / ufullstendig forsegling	<ul style="list-style-type: none"> • En varseltone med tre toner • Levering av RF-energi stopper • Aktiveringsdisplayet lyser gult i ett (1) sekund 	<p>Forseglingstiden overstiger fem (5) sekunder ELLER Brukeren åpnet instrumentkjevne eller slapp opp aktiveringsknappen, noe som førte til at forseglingssyklusen ble avbrutt før forseglingen var fullført ELLER Strømmen holder seg på maksimal strømgrense i mer enn fire (4) sekunder, noe som indikerer at det har oppstått en elektrisk kortslutning mellom kjevne ELLER Instrumentet er blitt aktivert i luften.</p> <p>Mulige bruksforhold inkluderer:</p>	<ol style="list-style-type: none"> 1. Slipp opp aktiveringsknappen 2. Trykk på aktiveringsknappen for å reaktivere forseglingssyklusen uten å flytte på instrumentet 3. Åpne instrumentkjevne og inspiser for vellykket forsegling 4. Reposisjoner om mulig instrumentet og grip vev på et annet sted, og aktiver deretter forseglingssyklusen på nytt 5. Inspiser forseglingen visuelt før kutting
		Griping av tynt vev eller aktivering i luften.	Åpne kjevne og bekreft at det er nok vev inne i kjevne. Øk om nødvendig mengden vev og gjenta prosedyren
		Griping av for mye vev mellom kjevne.	Åpne kjevne og reduser mengden vev som gripes, og aktiver forseglingssyklusen på nytt
		Griping av en metallgjenstand.	Unngå å gripe gjenstander, for eksempel stifter, klips eller innkapslede suturer, i instrumentets kjeve
		Aktivering i overflødig ansamlede væsker rundt instrumentspissen.	<ol style="list-style-type: none"> 1. Minimer eller fjern overflødig væske 2. Reaktiver forseglingssyklusen uten å flytte på instrumentet
		For mye dødt vev på elektrodespissen.	Bruk en våt gaskompress til å rengjøre overflatene og kantene på instrumentkjevne.

Systemfeil	<ul style="list-style-type: none"> • En enkelt varseltone • RF-energilevering stopper Strømknappen lyser og forblir rød 	Generatoren fungerer ikke som den skal, besto ikke en intern selvtest.	<ol style="list-style-type: none"> 1. Trykk på strømknappen for å slå av generatoren 2. Vent i minst 30 sekunder 3. Trykk på strømknappen for å slå på generatoren 4. Kontroller at strømknappen lyser grønt før bruk. <p>Hvis systemfeilen oppstår på nytt:</p> <ul style="list-style-type: none"> • Ikke bruk generatoren. • Bruk en annen CoolSeal™-generator eller andre metoder for å fullføre prosedyren. <p>Returner generatoren som ikke fungerer, som beskrevet i avsnittet Produktservice i denne veiledningen.</p>
Instrumentfeil	<ul style="list-style-type: none"> • En enkelt varseltone • Instrumentkontaktdisplayet lyser gult og blinker kontinuerlig • Generatoren tillater ikke levering av RF-energi 	Generatoren fungerer ikke som den skal, besto ikke en intern selvtest.	<ol style="list-style-type: none"> 1. Koble instrumentet fra generatoren. 2. Kontroller at instrumentets aktiveringsknapp ikke trykkes inn. 3. Koble instrumentet til generatoren igjen. 4. Kontroller at instrumentkontaktdisplayet lyser grønt <p>Hvis instrumentfeilen oppstår på nytt:</p> <ul style="list-style-type: none"> • Ikke bruk instrumentet • Bruk et annet CoolSeal™-instrument.
		Mulige bruksforhold inkluderer:	
		Utsiktet nedtrykking av instrumentets aktiveringsknapp under instrumenttilkobling.	Fjern eventuelle ting som trykker ned instrumentets aktiveringsknapp, og koble til instrumentet på nytt.
		Instrumentbryteren fungerer ikke som den skal.	Skift ut instrumentet.

Ugyldig instrument	<ul style="list-style-type: none"> • En enkelt varsel tone • Instrumentkontaktdisplayet lyser og forblir rødt • Generator tillater ikke levering av RF-energi 	Et ubrukelig instrument er koblet til.	<ol style="list-style-type: none"> 1. Koble fra instrumentet fra generatoren. 2. Kontroller at instrumentet er kompatibelt med CoolSeal™ 3. Koble instrumentet til generatoren igjen. 4. Kontroller at instrumentkontaktdisplayet lyser grønt <p>Hvis instrumentfeilen oppstår på nytt:</p> <ul style="list-style-type: none"> • Ikke bruk instrumentet • Bruk et annet CoolSeal™-instrument.
		Mulige bruksforhold inkluderer:	
		Det tilkoblede instrumentet er ikke kompatibelt med CoolSeal™-teknologien.	Sjekk instrumentets bruksanvisning for å bekrefte at det er kompatibelt med CoolSeal™-teknologien.
		Det tilkoblede instrumentet har tidligere blitt brukt.	Kasser instrumentet.
		Instrumentet kan ikke brukes med programvareversjonen.	<p>Bekreft at programvareversjonen som kreves av instrumentet, ikke er nyere enn programvareversjonen som er merket på bunnen av CoolSeal™-generatoren.</p> <p>Se avsnittet Programvareoppgradering for å finne en programvareoppgradering.</p>

Kapittel 4. Etter kirurgi

Dette kapittelet dekker følgende emner:

- Slå av CoolSeal™-generatoren
- Klargjøre CoolSeal™-generatoren for gjenbruk

Forsiktig

Les alle advarsler, forsiktighetsregler og instruksjoner som følger med denne generatoren, før bruk. Spesifikke instruksjoner for CoolSeal™-instrumenter er ikke inkludert i denne håndboken. Se bruksanvisningen for CoolSeal™-instrumentet for advarsler, forsiktighetsregler og instruksjoner for bruk.

Slå av CoolSeal™-generatoren

1. Slå av systemet ved å trykke på strømknappen () foran på enheten. Vær oppmerksom på følgende:
 - Strømknappens lys slukkes.

Om nødvendig kan generatoren slås av ved å fjerne strømledningskoblingen fra enten strøminntaket eller stikkkontakten.

Klargjøre CoolSeal™-generatoren for gjenbruk

Trinn 1 – Koble fra CoolSeal™-instrumentene

1. Koble instrumentet fra frontpanelet.
2. Kasser engangsinstrumentet i henhold til institusjonens prosedyrer.

Trinn 2 – Rengjør CoolSeal™-generatoren

Advarsel

Fare for elektrisk støt

Slå alltid av og koble fra CoolSeal™-generatoren før rengjøring.

Varsel

Rengjør CoolSeal™-generatoren med ikke-brennbare midler og desinfeksjonsmidler når det er mulig. Ikke bruk slipende rengjørings- eller desinfeksjonsforbindelser, løsemidler eller andre materialer som kan ripe opp panelene eller skade generatoren, slik som klorerte hydrokarboner eller andre plastløsemidler.

- Slå av generatoren og koble strømledningen fra vegguttaket.
- Tørk grundig av alle overflater på generatoren og strømledningen med en mild rengjøringsløsning eller desinfeksjonsmiddel og en fuktig klut. Hvis klorbaserte blekemidler brukes, fortynnes disse før rengjøring.
- Følg prosedyrer som er godkjent av institusjonen, eller bruk validerte infeksjonskontrollprosedyrer.
- Ikke senk ned, skylt aggressivt eller la væsker komme inn i kabinettet.

Kapittel 5. Feilsøking

Dette kapittelet dekker følgende emner:

- Generelle retningslinjer for feilsøking
- Korrigere feil

Forsiktig

Les alle advarsler, forsiktighetsregler og instruksjoner som følger med denne generatoren, før bruk. Spesifikke instruksjoner for CoolSeal™-instrumenter er ikke inkludert i denne håndboken. Se bruksanvisningen for CoolSeal™-instrumentet for advarsler, forsiktighetsregler og instruksjoner for bruk.

Generelle retningslinjer for feilsøking

Hvis CoolSeal™-generatoren svikter, må du kontrollere om det finnes åpenbare forhold som kan ha forårsaket problemet:

- Kontroller at alle ledninger er riktig tilkoblet og godt festet.
- Kontroller systemet for synlige tegn på fysisk skade.
- Slå av systemet og slå det på igjen.

Hvis feilen vedvarer, kan det hende at systemet trenger service. Kontakt institusjonens medisinsk-tekniske avdeling, Bolder Surgical eller autorisert distributør.

Hvis det oppstår noen hendelser under bruk av CoolSeal™-systemet, skal brukere rapportere disse problemene direkte til Bolder Surgical via telefon (+1 866 683 1743) eller via e-post (complaints@boldsurg.com) og til den lokale kompetente myndighet.

Korrigere feil

Hvis en løsning ikke er åpenbar, bruker du tabellen nedenfor for å identifisere og korrigere spesifikke funksjonsfeil. Når du har korrigert feilen, kontrollerer du at systemet fullfører selvtesten som beskrevet i kapittelet Oppsett og bruk av CoolSeal™-generatoren.

Unormal pasientrespons:

Tilstand:	Årsaker:	Løsning:
Unormal nevromuskulær stimulering (stopp operasjonen umiddelbart)	Metall-mot-metall-gnister	Kontroller alle koblinger til CoolSeal™-generatoren.
	Unormale 50–60 Hz lekkasjestrømmer	Bruk en reserve CoolSeal™-generator. Kontakt din medisinsk-tekniske avdeling eller en teknisk servicerepresentant fra Bolder Surgical™ for hjelp.

Funksjonsfeil på CoolSeal™-generatoren:

Tilstand:	Årsaker:	Løsning:
CoolSeal™-generatoren reagerer ikke når den slås på	Frakoblet strømledning eller defekt vegguttak	Kontroller strømledningstilkoblingene (CoolSeal™-generator og vegguttak). Koble strømledningen til en funksjonell stikkontakt.
	Feil på strømledning	Skift ut strømledningen.
	Sikringene er gått	Kontakt din medisinsk-tekniske avdeling eller en teknisk servicerepresentant fra Bolder Surgical™ for hjelp.
	Feil på intern komponent	Bruk en reserve CoolSeal™-generator. Kontakt din medisinsk-tekniske avdeling eller en teknisk servicerepresentant fra Bolder Surgical™ for hjelp.

Systemet er på, men besto ikke selvtesten eller sluttet å virke under bruk – én enkelt tone og strømknappen lyser rødt	Enhet oppbevart på et kaldt sted	La enheten varmes opp til omgivelsestemperatur.
	Gjenopprettbar programvarefeil	Bruk en reserve CoolSeal™-generator. Kontakt din medisinsk-tekniske avdeling eller en teknisk servicerepresentant fra Bolder Surgical™ for hjelp.
	Intern komponentfeil eller ikke-gjenopprettbar programvarefeil	Feil på intern komponent.
Systemet er på, med én enkelt tone og et blinkende gult instrumentkontaktdisplay.	Systemet startet med defekt instrument koblet til instrumentkontakten	Koble fra instrumentet. Slå av CoolSeal™-generatoren.
	Feil eller utløpt instrument	Slå på CoolSeal™-generatoren.
	Instrumentsvikt	Plugg inn instrumentet. Skift ut instrumentet hvis feilen vedvarer.
	CoolSeal™-instrumentet kan ikke brukes med programvareversjonen	Be medisinsk-teknisk avdeling om å sjekke med produsenten av enheten. Se avsnittet Programvareoppgradering for å finne en programvareoppgradering.
Systemet er på, strømknappen lyser grønt når instrumentet kobles til, en enkelt tone høres, og et rødt instrumentkontaktdisplay vises.	Instrumentgjenkjenning mislyktes på grunn av ustabil tilkobling	Fjern instrumentpluggen Sett instrumentet godt inn igjen.
	Gjenopprettbar programvarefeil	Slå av systemet, og slå deretter på systemet igjen.
	Intern komponentfeil eller ikke-gjenopprettbar programvarefeil	Bruk en reserve CoolSeal™-generator. Kontakt din medisinsk-tekniske avdeling eller en teknisk servicerepresentant fra Bolder Surgical™ for hjelp.
CoolSeal™-generatoren er på og instrumentet er aktivert, men systemet leverer ikke utgangseffekt – ingen toner eller aktiveringsdisplay	Det finnes en varseltilstand	Se avsnittet Beskrivelser av varseltilstander.
	Systemet oppdager ikke instrument for karforsegling	Sett koblingen godt inn i kontakten på CoolSeal™-generatorens frontpanel. Påse at kontaktdisplayet lyser grønt for å indikere at et CoolSeal™-instrument er riktig tilkoblet og gjenkjent.
	Intern komponentfeil eller ikke-gjenopprettbar programvarefeil	Kontakt din medisinsk-tekniske avdeling eller en teknisk servicerepresentant fra Bolder Surgical™ for hjelp.
Ufullstendig forsegling / reaktiver – Det høres en tone med tre toner, aktiveringsdisplayet på generatorens frontpanel lyser gult , og RF-levering er deaktivert	Forseglingssyklusen var på mer enn 5 sekunder ELLER Håndbryteren ble sluppet opp før sluttonen ble aktivert	Ytterligere tid og energi trengs for å fullføre forseglingssyklusen. Aktiver forseglingssyklusen på nytt uten å fjerne eller flytte instrumentet. Inspiser forseglingen visuelt før kutting.
	Metall eller annet fremmedlegeme er grepet i kjevener	Unngå å gripe gjenstander, for eksempel stifter, klips eller innkapslede suturer, i instrumentets kjevener.
	Vevet som gripes i kjevener, er for tynt	Åpne kjevener og bekreft at det er nok vev inne i kjevener. Øk om nødvendig mengden vev og gjenta prosedyren.
	Ansamlende væsker rundt instrumentspissen	Minimer eller fjern overflødig væske. Rengjør elektrodesspissene og kjevener med en våt gaskompress.
	Instrumentet er blitt aktivert i luften.	Slipp aktiveringsknappen. Grip vevet og aktiver forseglingssyklusen.
Instrumentet er tilkoblet, men karforseglingen aktiveres ikke	Instrumentet er ikke satt helt inn i instrumentkontakten	Koble fra instrumentet, koble til på nytt og vent et øyeblikk.

Mulige interaksjoner med andre enheter:

Tilstand:	Årsaker:	Løsning:
Kontinuerlig monitorinterferens	Funksjonsfeil på monitor	Se monitorens bruksanvisning for feilsøking.
	Feil på tilkoblinger mellom kabinett og jord	Kontroller og korriger koblingene mellom kabinett og jord for monitoren og for CoolSeal™-generatoren. Kontroller om det er defekt jording på annet elektrisk utstyr i rommet.
	Elektrisk utstyr er jordet til ulike gjenstander i stedet for en felles jordforbindelse. CoolSeal™-generatoren kan reagere på de resulterende spenningsforskjellene mellom jordede gjenstander.	Koble alt elektrisk utstyr til nettstrøm på samme sted. Kontakt din medisinsk-tekniske avdeling eller en teknisk servicerepresentant fra Bolder Surgical™ for hjelp.
	Hvis interferensen fortsetter når CoolSeal™-generatoren aktiveres, reagerer monitoren på utstrålte frekvenser.	Be medisinsk-teknisk avdeling om å sjekke med produsenten av monitoren. Noen produsenter tilbyr RF-lavpassfiltre til bruk i monitorledninger. Filtrene reduserer interferens når CoolSeal™-generatoren aktiveres, og minimerer potensialet for en elektrokirurgisk forbrenning på stedet der monitorelektroden er plassert.
Pacemakerinterferens	Ustabile forbindelser eller metall-mot-metall-gnister	Overvåk alltid pasienter med pacemakere under kirurgi og ha en defibrillator tilgjengelig.
Aktivering av intern hjertedefibrillator (ICD)	ICD aktiveres av CoolSeal™-generatoren	Stopp prosedyren og kontakt ICD-produsenten for instruksjoner.
Interferens med andre enheter kun når CoolSeal™-generatoren er aktivert	Elektrisk inkonsekvente jordledninger i operasjonssalen	Kontroller at alle jordledninger er så korte som mulig og går til det samme jordede metallet.
	Hvis interferensen fortsetter når CoolSeal™-generatoren aktiveres, reagerer enheten på utstrålte frekvenser.	Be medisinsk-teknisk avdeling om å sjekke med produsenten av enheten.

Kapittel 6. Periodisk funksjonstesting, vedlikehold og service

Dette kapitlet inneholder følgende informasjon:

- Produsentens ansvar
- Periodisk funksjonstesting og vedlikehold
- Returnere generatoren for service
- Programvareoppgraderinger

Forsiktig

Les alle advarsler, forsiktighetsregler og instruksjoner som følger med denne generatoren, før bruk. Spesifikke instruksjoner for CoolSeal™-instrumenter er ikke inkludert i denne håndboken. Se bruksanvisningen for CoolSeal™-instrumentet for advarsler, forsiktighetsregler og instruksjoner for bruk.

Produsentens ansvar

Bolder Surgical er kun ansvarlig for sikkerheten, påliteligheten og ytelsen til CoolSeal™-generatoren hvis alle disse betingelsene er oppfylt:

- Installasjons- og oppsettprosedyrer i denne håndboken følges.
- Personer som er autorisert av Bolder Surgical, utfører montering, bruk, omjusteringer, modifikasjoner eller reparasjoner.
- Den elektriske installasjonen i det aktuelle rommet er i samsvar med lokale forskrifter og regulatoriske krav, som IEC og BSI.
- Utstyret brukes i henhold til bruksanvisningen fra Bolder Surgical. Se avsnittet Garanti i denne håndboken for garantiinformasjon.

Periodisk funksjonstesting og vedlikehold

Når skal periodisk funksjonstesting utføres?

Bolder Surgical anbefaler at en periodisk funksjonstest av CoolSeal™-generatoren utføres minst én gang annethvert år. Den periodiske funksjonstesten skal kun utføres av en kvalifisert biomedisinsk tekniker, eller CoolSeal™-generatoren kan returneres til Bolder Surgical eller deres distributør for periodisk funksjonstesting. Se tillegg A for detaljerte instruksjoner om den periodiske funksjonstesten.

Når må strømledningen skiftes ut?

Skift ut strømledningen hvis du finner eksponerte ledninger, sprekker, frynsete kanter eller en skadet kontakt.

Når skal sikringene skiftes?

Sykehusets medisinsk-tekniske avdeling må kanskje skifte sikringene av og til. Sikringer skal skiftes ut enten når en sikring har røket for å beskytte CoolSeal™-generatoren, eller som spesifisert av sykehusets medisinsk-tekniske avdeling for forebyggende vedlikehold. Hvis det oppstår gjentatte sikringsfeil i løpet av en kort periode, må du ikke fortsette å bytte sikringer, men returnere CoolSeal™-generatoren for service.

Hvordan kan sikringene skiftes?

1. Slå av generatoren og koble strømledningen fra vegguttaket.
2. Koble systemets strømledning fra strøminntaket på bakpanelet.
3. Løsne sikringsbrettet fra under strøminntaket.
4. Fjern begge sikringene.
5. Skaff sikringer som angitt under strøminntaket på bakpanelet.
6. Sett inn begge sikringene.
7. Sett inn og fest sikringsbrettet.

Produktservice

Advarsel

Fare for elektrisk støt: Ikke fjern CoolSeal™-generatordekselet.

Ikke forsøk å utføre service på CoolSeal™-generatoren. All service og reparasjon må utføres av autorisert Bolder Surgical™-personell.

Returnere CoolSeal™-generatoren for service

Før du returnerer CoolSeal™-generatoren, ringer du din Bolder Surgical™-salgsrepresentant for hjelp. Hvis du blir bedt om å sende generatoren til Bolder Surgical, gjør du følgende:

1. Ring Bolder Surgical™ kundeservicesenter for ditt område for å få et returautorisasjonsnummer. Ha følgende informasjon klar når du ringer:
 - Sykehusets/klinikkens navn/kundenummer
 - Ditt telefonnummer
 - Avdeling/adresse, postnummer og sted
 - Modellnummer
 - Serienummer
 - Beskrivelse av problemet
 - Type service, oppgradering eller reparasjon som skal utføres
2. Rengjør CoolSeal™-generatoren.
 - Se avsnittet Rengjøring ovenfor.
3. Send CoolSeal™-generatoren.
 - Fest et merke til generatoren som inkluderer returautorisasjonsnummeret og informasjonen (sykehus, telefonnummer osv.) som er oppført i trinn 1.
 - Sørg for at generatoren er helt tørr før du pakker den for forsendelse. Pakk den i originalemballasjen, hvis tilgjengelig.
 - Send generatoren, forhåndsbetalt, til Bolder Surgical™-servicesenteret.

Programvareoppgraderinger

Bolder Surgical™-personell må utføre programvareoppgraderinger. Se *Returnere CoolSeal™-generatoren for service* (ovenfor) for instruksjoner.

Kapittel 7. Tekniske spesifikasjoner

Alle spesifikasjoner er nominelle og kan endres uten varsel.

En spesifikasjon som kalles «typisk», er innenfor $\pm 20\%$ av en oppgitt verdi ved romtemperatur (25 °C / 77 °F) og en nominell inngangsspenning.

Forsiktig

Les alle advarsler, forsiktighetsregler og instruksjoner som følger med denne generatoren, før bruk. Spesifikke instruksjoner for CoolSeal™-instrumenter er ikke inkludert i denne håndboken. Se bruksanvisningen for CoolSeal™-instrumentet for advarsler, forsiktighetsregler og instruksjoner for bruk.

Ytelseegenskaper

Generelt

Utgangskonfigurasjon:	Isolert utgang
Kjøling:	Naturlig konveksjon til omgivelsene
Display:	Indikatorlamper og strømbryter
Tilkoblingsporter:	LED-opplyst kontaktregistrering
Montering:	Stativarmsystemer i operasjonssalen Enhver stabil, flat overflate som et bord eller en vogntopp

Mål og vekt

Bredde:	30,5 cm (12 tommer)
Dybde:	38,1 cm (15 tommer)
Høyde:	10,9 cm (4,3 tommer)
Vekt:	5,4 kg (12 pund)

Driftsparametere

Omgivelsestemperatur:	+10 °C til +35 °C
Relativ fuktighet:	30 % til 75 % (ikke-kondenserende)
Atmosfærisk trykk:	67 kilopascal til 111 kilopascal
Oppvarmingstid:	Hvis den transporteres eller oppbevares ved temperaturer utenfor driftstemperaturområdet, må du gi CoolSeal™-generatoren en time for å nå driftstemperatur før bruk.

Transport og oppbevaring

Omgivelsestemperatur:	-20 °C til +60 °C
Relativ fuktighet:	0 % til 90 % (ikke-kondenserende)
Atmosfærisk trykk:	46 kilopascal til 111 kilopascal

Internminne

Ikke-flyktig:	RAM
Lagringskapasitet:	Minnet kan lagre informasjon om de siste 2000 forseglingsyklusene. Data er ikke pasientspesifikke og ikke brukertilgjengelige.

Aktiveringstone

Lydnivåene som er oppgitt nedenfor, er for aktiveringslyder for forsegling på en avstand på én meter.

Volum (justerbar):	40 dBA til 80 dBA
Frekvens	
CoolSeal™-forsegling:	349,2 Hz
Varighet:	Kontinuerlig mens systemet aktivt leverer RF-energi

Varseltoner

Volum (justerbar):	65 dBA til 80 dBA
Frekvens	
Systemfeil og instrumentfeil:	Én 550 ms tone Høy = 2637 Hz, lav = 440 Hz
Forsegling fullført:	550 ms Tre sekvensielle toner 349,2 Hz, 392 Hz og 440 Hz 75 ms, 150 ms og 300 ms varighet
Reaktiver / ufullstendig forsegling:	Tre toner Høy = 2489 Hz, lav = 349,2 Hz 80 ms toner, 100 ms pauser mellom

Inngangseffekt

Maksimal effekt ved nominell nettspenning: 110 W
Nettstrøm (maksimum) Tomgang: 250 mA Forsegling: 1 A
Frekvensområde for nettstrøm (nominelt): 50 Hz til 60 Hz
Spenningsområde for nettstrøm (nominelt): 100–240 V
Sikringer (2): Type T5AH 250 V eller tilsvarende, 5 mm x 20 mm 5 A, 250 V, treg, høy bryteevne
Strøminntak: IEC 60320 C14

Spesifikasjoner for strømledning

Denne enheten ble utstyrt fra fabrikken med en strømledning av sykehuskvalitet for 110 V vekselstrøm med en NEMA5-15-nettstrømkontakt. Når vekselstrømledningen skiftes ut for å samsvare med en annen strømkontaktkonfigurasjon, må den nye kontakten/kabelen/uttaket oppfylle eller overgå følgende spesifikasjoner:

100–120 V vekselstrøm

Kabel:	SJT 18/3, IEC-fargekode, maksimal lengde 3 m (10 fot)
Nettstrømkontakt:	Sykehuskvalitet, oppfyller kravene i det lokale landet
Minimum:	10 A – 125 V vekselstrøm
Enhetskontakt:	IEC 60320 C13, minimum 10 A – 125 V vekselstrøm

220–240 V vekselstrøm

Kabel:	H05VVF3G1.0, maksimal lengde 3 m (10 fot)
Nettstrømkontakt:	Sykehuskvalitet, oppfyller kravene i det lokale landet
Minimum:	6 A – 250 V vekselstrøm
Enhetskontakt:	IEC 60320 C13, minimum 6 A – 250 V vekselstrøm

Tekniske spesifikasjoner

Inngangsfrekvens

CoolSeal™-generatoren opererer innenfor spesifikasjonene ved alle nettstrøminngangsfrekvenser mellom 47 Hz og 63 Hz. Brukeren trenger ikke å konfigurere CoolSeal™-generatoren på nytt for forskjellige nettstrømfrekvenser.

Inngangsstrøm

CoolSeal™-generatoren trekker ikke mer enn 5 A ved noen nettstrøminngangsspenning.

Reservestrøm

CoolSeal™-generatoren beholder kalibreringsdata og statistiske data når den er slått av og frakoblet. CoolSeal™-generatoren fungerer innenfor spesifikasjonene når den byttes til en tilførselsstrøm fra sykehusets backup-systemer.

Ekvipotensialkobling

Det finnes en ekvipotensialkobling på baksiden av CoolSeal™-generatoren for å muliggjøre tilkobling av en potensialutjevningsleder om nødvendig.

Driftssyklus

Under maksimale effektinnstillinger og nominell belastning, er CoolSeal™-generatoren i stand til å drive en driftssyklus på 25 %, definert som 5 sekunder aktiv RF-levering og 15 sekunder inaktiv.

Lavfrekvent (50/60 Hz) lekkasjestrøm

Samsvarer med IEC 60601-1, utg. 3.1

Lave frekvensgrenser:

Jordlekkasje:	5 mA normale forhold,	10 mA enkeltfeiltilstand
Berøringsstrøm:	100 µA normale forhold,	500 µA enkeltfeiltilstand
Pasientlekkasje: <i>(basert på pasientnær del av typen CF)</i>	10 µA normale forhold,	50 µA enkeltfeiltilstand (likestrøm eller vekselstrøm)
Pasientlekkasje med nettstrøm på pasientnær del av type F: <i>(basert på pasientnær del av typen CF)</i>		50 µA

Standarder og IEC-klassifiseringer

CoolSeal™-generatoren oppfyller alle relevante klausuler i IEC 60601-1 utg. 3.1, IEC 60601-1-2 utg. 4.0 og IEC 60601-2-2 utg. 6.0.

Symboler

	Se bruksanvisningen		Vekselstrøminngang (nettstrøm)
	Advarsel, elektrisitet For å redusere risikoen for elektrisk støt skal du ikke fjerne dekselet. Overlat servicen til kvalifisert servicepersonell.		Vekselstrømutgang (RF)
	Serienummer		Hvilemodus, strøm
	Autorisert representant i EU		Temperaturgrense
	Katalog-, bestillings- eller referansenummer		Fuktighetsgrense
	Medisinsk utstyr		Atmosfærisk trykkbegrensning
	Registrert tilvirker		Holdes tørr
	Produksjonsdato		Klassifisert med hensyn til elektrisk støt, brann og mekaniske farer kun i henhold til IEC 60601-1 og CAN/CSA C22.2 nr. 601.1.
	Generatoren er beregnet på en pasientnær del av typen CF		Overholder kravene i FCC, del 15.
	Ekvipotensialitet		Volumjustering for aktiveringstøner, med urviseren øker volumet
	Sikring		Utstyret må ikke kastes i søppel

Klassifiseringer

Klasse I-utstyr (IEC 60601-1)

Tilgjengelige ledende deler kan ikke bli strømførende i tilfelle grunnleggende isolasjonssvikt på grunn av hvordan de er koblet til den beskyttende jordlederen.

Elektromagnetisk kompatibilitet (IEC 60601-1-2)

Denne enheten er i samsvar med del 15 i FCC-reglene. Bruken er underlagt følgende to betingelser:

- (1) Denne enheten skal ikke forårsake skadelig interferens, og
- (2) Denne enheten må akseptere eventuell mottatt interferens, inkludert interferens som kan forårsake uønsket drift.

Utstyr av type CF (IEC 60601-1)

Denne generatoren gir en høy grad av beskyttelse mot elektrisk støt, spesielt når det gjelder tillatte lekkasjestrømmer. Den er type CF isolert (ujordet) effekt og kan brukes til prosedyrer som involverer hjertet.

IP XX væskeinntrengning/-søl (IEC 60601-1 og IEC 60601-2-2)

CoolSeal™-generatoren er konstruert slik at væskesøl ved normal bruk ikke fukter elektrisk isolasjon eller andre komponenter som sannsynligvis vil påvirke utstyrets sikkerhet på en negativ måte hvis de blir våte.

Spenningstransienter – nettstrømoverføring til energiplattformen (IEC60601-1 og IEC 60601-2-2)

CoolSeal™-generatoren fortsetter å fungere normalt uten feil eller systemsvikt når det foretas overføring mellom nettstrøm og en spenningskilde for nødenergiplattformen. (IEC 60601-1-2)

Elektromagnetisk kompatibilitet (IEC 60601-1-2 og IEC60601-2-2)

CoolSeal™-generatoren samsvarer med de aktuelle IEC 60601-1-2- og 60601-2-2-spesifikasjonene for elektromagnetisk kompatibilitet.

Advarsel

Bruk av dette utstyret ved siden av eller stablet sammen med annet utstyr bør unngås, da det kan føre til feil drift. Hvis slik bruk er nødvendig, skal dette utstyret og det andre utstyret observeres for å bekrefte at de fungerer normalt.

Bærbart RF-kommunikasjonsutstyr (inkludert periferiutstyr som antennekabler og eksterne antenner) skal ikke brukes nærmere noen del av CoolSeal™-generatoren, inkludert kabler spesifisert av Bolder Surgical, enn 30 cm (12 tommer). Ellers kan ytelsen til dette utstyret bli redusert.

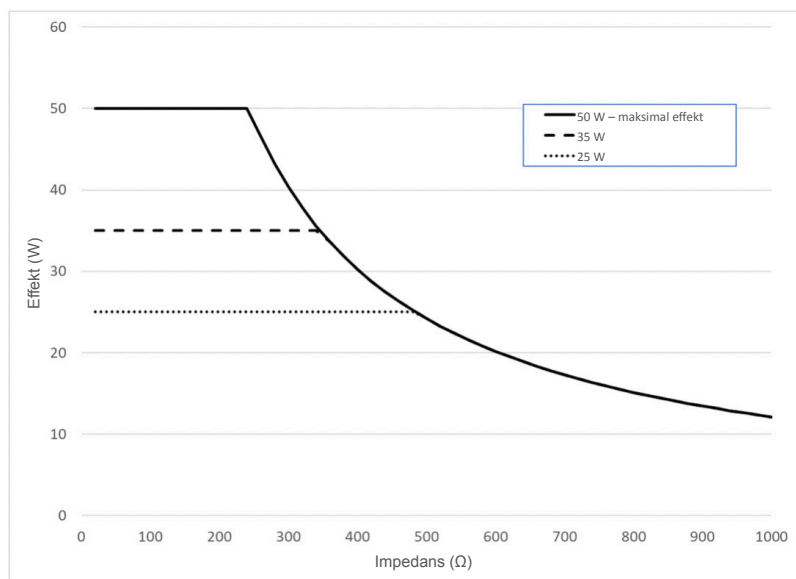
Utgangsegenskaper

Maksimal effekt for CoolSeal™-generatoren

Strømvlesninger samsvarer med faktisk effekt til nominell belastning på inntil 20 % eller 5 watt, avhengig av hva som er størst.

Toppspenning for åpen krets (maks)	Nominell belastning	Nominell utgangseffekt (maks)	Spissfaktor	Bølgeform for driftssyklus
190 V	20 Ω	50 W	1,9	100 %

Utgangseffekt vs. impedansdiagram



Elektromagnetisk immunitet

Veiledning og produsenterklæring – elektromagnetisk stråling

CoolSeal™-generatoren er beregnet på bruk i det elektromagnetiske miljøet som er spesifisert nedenfor. Kunden eller brukeren av CoolSeal™-generatoren skal sørge for at den brukes i et slikt miljø.

RF-stråling CISPR 11	Gruppe 2	CoolSeal™-generatoren må avgi elektromagnetisk energi for å kunne utføre sin tiltenkte funksjon. Elektronisk utstyr i nærheten kan bli påvirket.
Ledet stråling EN 55011:2009+A1:2010, CISPR 11:2009+A1:2010	Klasse A	
Utstrålt stråling EN 55011:2009+A1:2010, CISPR 11:2009+A1:2010	Klasse A	CoolSeal™-generatoren er egnet for bruk i alle lokaler unntatt boliger og andre lokaler som er direkte koblet til det offentlige lavspenningsnettet som leverer strøm til bygninger som brukes til boligformål.
Harmonisk stråling IEC/EN 61000-3-2:2014	Klasse A-enhet	
Spenningsvariasjoner/flimmerstråling IEC/EN 61000-3-3:2013	I henhold til klausul 5 i standarden	

Grunnleggende sikkerhet i henhold til IEC 60601-1 er ytelseskravene som brukes under immunitetstesting. Essensiell ytelse gjelder ikke.

Varsel

Dette utstyrets STRÅLINGSEGENSKAPER gjør det egnet for bruk i industriområder og sykehus (CISPR 11 klasse A). Hvis det brukes i et boligmiljø (der CISPR 11 klasse B normalt kreves), kan det hende at dette utstyret ikke gir tilstrekkelig beskyttelse for radiofrekvente kommunikasjonstjenester. Brukeren må kanskje utføre utbedrende tiltak, som å snu eller flytte utstyret.

Veiledning og produsenterklæring – elektromagnetisk immunitet

CoolSeal™-generatoren er beregnet på bruk i det elektromagnetiske miljøet som er spesifisert nedenfor. Kunden eller brukeren av CoolSeal™-generatoren skal sørge for at den brukes i et slikt miljø.

Immunitetstest	IEC 60601-testnivå	± Samsvarsnivå	Elektromagnetisk miljø – veiledning
Elektrostatisk utladning IEC/EN 61000-4-2	± 8 kV kontaktutladning ± 2, 4, 8 og 15 kV luftutladning	± 8 kV kontaktutladning ± 2, 4, 8 og 15 kV luftutladning	Gulvene skal være av tre, betong eller keramiske fliser. Hvis gulvet er dekket med syntetisk materiale, skal den relative fuktigheten være minst 30 %.
Utstrålt immunitet IEC 61000-4-3:2006 + A1:2008 + A2:2010	80 MHz – 6 GHz 3 V/m 80 % ved 1 kHz 28 V/m punktfrekvenser 385 MHz – 2,7 GHz pulsmodulasjon	80 MHz – 6 GHz 3 V/m 80 % ved 1 kHz 28 V/m punktfrekvenser 385 MHz – 2,7 GHz pulsmodulasjon	Bærbart og mobilt RF-kommunikasjonsutstyr skal ikke brukes nærmere noen del av CoolSeal™-generatoren, inkludert kabler, enn den anbefalte separasjonsavstanden som beregnes ved hjelp av ligningen som gjelder for senderens frekvens.
Nærhetsfelt fra trådløst RF-kommunikasjonsutstyr IEC 61000-4-3	I henhold til tabell 9 i IEC 60601-1-2-standarden	Se tabellen på neste side av frekvensområder og testforhold for trådløst RF-kommunikasjonsutstyr	Anbefalt separasjonsavstand $d = [2] \sqrt{P}$ der P er senderens maksimale nominelle utgangseffekt i watt (W) ifølge senderens produsent, og d er anbefalt separasjonsavstand i meter (m). Feltstyrker fra faste RF-sendere, som fastslått ved en elektromagnetisk undersøkelse av stedet ^a , må være mindre enn samsvarsnivået i hvert frekvensområde ^b .
Ledet immunitet (vekselstrøm) (I/O-linjer) IEC/EN 61000-4-6	0,15–80 MHz 3 Vrms og 6 Vrms i ISM-bånd 1 kHz Nettstrøm	0,15–80 MHz 3 Vrms og 6 Vrms i ISM-bånd 1 kHz Nettstrøm	ISM-båndene (industrielle, vitenskapelige og medisinske) mellom 0,15 MHz og 80 MHz er 6,765 MHz til 6,795 MHz; 13,553 MHz til 13,567 MHz; 26,957 MHz til 27,283 MHz; og 40,66 MHz til 40,70 MHz.
Raske elektriske transienter (vekselstrøm) IEC/EN 61000-4-4	± 2 kV nettstrøm ± 1 kV – I/O-ledninger 5/50 5 kHz og 100 kHz	± 2 kV nettstrøm ± 1 kV – I/O-ledninger 5/50 5 kHz og 100 kHz	Nettstrømkvaliteten skal være som i et typisk kommersielt miljø eller sykehusmiljø.
Overspenning linje til linje (vekselstrøm) IEC/EN 61000-4-5	± 1 kV Linje til linje Linje til jord	± 1 kV Linje til linje Linje til jord	Nettstrømkvaliteten skal være som i et typisk kommersielt miljø eller sykehusmiljø.
Magnetisk immunitet IEC/EN-61000-4-8	30 A/m 50/60 Hz	30 A/m 50/60 Hz	Strømfrekvensens magnetfelt skal være på nivåer som er karakteristiske for et typisk sted i et typisk kommersielt miljø eller sykehusmiljø.
Spenningsfall og avbrudd IEC/EN 61000-4-11	0 % UT 0,5 sykluser 0 % UT 1 syklus 70 % UT 25 sykluser 0 % UT 5 sek	0 % UT 0,5 sykluser 0 % UT 1 syklus 70 % UT 25 sykluser 0 % UT 5 sek	Hvis brukeren av CoolSeal™-generatoren krever kontinuerlig drift under strømbrudd, anbefales det at CoolSeal-generatoren får strøm fra en avbruddsfri strømforsyning eller et batteri.

MERK: Disse retningslinjene gjelder kanskje ikke i alle situasjoner. Elektromagnetisk spredning påvirkes av absorpsjon og refleksjon fra strukturer, gjenstander og mennesker.

^aFeltstyrker fra faste sendere, som basestasjoner for radiotelefoner (mobile/trådløse) og landmobilradioer, amatørradio, AM- og FM-radiokringkasting og TV-kringkasting, kan ikke forutsies teoretisk med nøyaktighet. For å vurdere det elektromagnetiske miljøet på grunn av faste RF-sendere, bør det vurderes å utføre en elektromagnetisk undersøkelse på stedet. Hvis den målte feltstyrken på stedet der CoolSeal™-generatoren brukes, overskrider det gjeldende RF-samsvarsnivået ovenfor, må CoolSeal™-generatoren observeres for å bekrefte normal drift. Hvis unormal ytelse oppdages, kan det være nødvendig med ytterligere tiltak, som å snu eller flytte CoolSeal™-generatoren.

^bI frekvensområdet 150 kHz til 80 MHz skal feltstyrkene være mindre enn 3 V/m.

Veiledning og produsenterklæring – elektromagnetisk immunitet

Frekvensområder og testforhold for trådløst RF-kommunikasjonsutstyr

Frekvensbånd (MHz)	Testfrekvens (MHz)	Modulering ^a	Samsvarsnivå (V/m)
380–390	380–390	Puls – 18 Hz	27
430–470	450	FM ± 5 kHz avvik 1 kHz sinus	28
704–787	710	Puls – 217 Hz	9
	745		
	780		
800–960	810	Puls – 18 Hz	28
	870		
	930		
1700–1990	1720	Puls – 217 Hz	28
	1845		
	1970		
2400–2570	2450	Puls – 217 Hz	28
5100–5800	5240	Puls – 217 Hz	9
	5500		
	5785		

^aPulsmodulering er definert som en kvadratbølgeinnngang med en 50 % arbeidssyklus ved den oppførte frekvensen.

MERK: Bærbart RF-kommunikasjonsutstyr skal ikke brukes nærmere noen del av CoolSeal™-generatoren, inkludert kabler spesifisert av Bolder Surgical, enn 30 cm (12 tommer). Ellers kan ytelsen til dette utstyret bli redusert.

Anbefalt sikkerhetsavstand mellom bærbart og mobilt RF-kommunikasjonsutstyr og CoolSeal™-generatoren

CoolSeal™-generatoren er beregnet på bruk i et elektromagnetisk miljø der forstyrrelser fra RF-stråling er kontrollert. Kunden eller brukeren av CoolSeal™-generatoren kan bidra til å forhindre elektromagnetisk interferens ved å opprettholde en minimumsavstand mellom bærbart og mobilt RF-kommunikasjonsutstyr (sendere) og CoolSeal™-generatoren som anbefalt nedenfor, i henhold til kommunikasjonsutstyrets maksimale utgangseffekt.

Senderens maksimale nominelle utgangseffekt	Separasjonsavstand fra sender $d = [2] \sqrt{P}$
0,01	0,20
0,1	0,63
1	2,00
10	6,32
100	20,00

For sendere med en maksimal nominell utgangseffekt som ikke er oppført ovenfor, kan den anbefalte separasjonsavstanden d i meter (m) beregnes ved hjelp av ligningen som gjelder for senderens frekvens, der P er senderens maksimale nominelle utgangseffekt i watt (W) ifølge senderens produsent.

MERK: Disse retningslinjene gjelder kanskje ikke i alle situasjoner. Elektromagnetisk spredning påvirkes av absorpsjon og refleksjon fra strukturer, gjenstander og mennesker.

Tillegg A – Periodisk funksjonstest

Formålet med testen er å bekrefte at CoolSeal™-generatoren fungerer som den skal. Det anbefales at denne testen utføres minst annethvert år for å sikre at riktig funksjon opprettholdes over tid. Se den endelige testdatoetiketten for den siste funksjonstestdatoen for Bolder Surgical™. Denne testen kan brukes oftere i henhold til sykehusets retningslinjer.

Advarsel

Ikke åpne kabinettet til CoolSeal™-generatoren. Det er ingen deler i kabinettet som kan få service. Ytterligere testing er nødvendig for å bekrefte at sikker drift opprettholdes når kabinettet er åpnet. Denne testingen er kun tilgjengelig på Bolder Surgical™-servicesenteret. Manglende overholdelse kan føre til økt risiko for elektrisk støt.

Varsel

Kun kvalifiserte personer skal utføre CoolSeal™-funksjonstesten.

Viktig

Nedenfor finnes et valgfritt skjema for å registrere resultatene av den periodiske funksjonstesten.

Advarsel

Ikke forsøk å bruke funksjonstestkabelen til noe annet formål enn trinnene som er beskrevet her.
Skal ikke brukes klinisk.

Definisjoner:

UUT – enhet under test

ESA – elektrisk sikkerhetsanalysator

ESuA – elektrokirurgisk analysator

Nødvendig utstyr:

UUT – CoolSeal™-generator – CSL-200-50

ESA – Fluke elektrisk sikkerhetsanalysator modell ESA612 (eller tilsvarende)

ESuA – Fluke elektrokirurgisk analysator modell QA-E SII, QA-ES III (eller tilsvarende)

Funksjonstestkabel – CSL-FTC

Stoppeklokke

Kriterier for bestått / ikke bestått:

- Følg trinnene nedenfor for å oppnå det angitte resultatet. Gjenta hvis dette resultatet ikke oppnås.
- Kontakt Bolder Surgical for å avtale service for å løse feil eller uregelmessigheter.
- Ikke forsøk å reparere CoolSeal™-generatoren.
- Forsøk på å reparere CoolSeal™-generatoren vil bryte produktgarantien.

Prosedyre:

REGISTRERE RESULTATER:

1. Du kan registrere resultatene av følgende tester på en kopi av den vedlagte loggen. Etter hvert trinn nedenfor registrerer du resultatet i den tilsvarende delen som indikert av **<RECORD RESULTS> (REGISTRER RESULTATER)**. Hent numeriske verdier der indikert og sett en sirkel rundt **P** for bestått (pass) eller **F** for ikke bestått (fail).

INSPEKSJON:

1. Inspiser enheten med henblikk på ytre skader eller manglende komponenter. Det skal ikke finnes Ugyldig instrument noen skade eller manglende komponenter. **<RECORD RESULTS> (REGISTRER RESULTATER)**
2. Inspiser strømledningen for skade, det skal ikke finnes noen skade. **<RECORD RESULTS> (REGISTRER RESULTATER)**

INDIKATORLAMPER OG LYDINDIKATORER:

1. Tilfør strøm til UUT og trykk på strømknappen. Strømknappen skal lyse GRØNT, og det skal høres en sekvens med tre (3) toner. Hvis strømknappen lyser RØDT, indikerer det at selvtesten ved oppstart ikke ble bestått. **<RECORD RESULTS> (REGISTRER RESULTATER)**
2. Sett inn funksjonstestkabelen i instrumentkontakten, instrumentkontaktdisplayet skal lyse hvitt. **<RECORD RESULTS> (REGISTRER RESULTATER)**
3. Slå av UUT. Trykk og hold aktiveringsknappen inne. Slå på strømmen mens du holder aktiveringsknappen nede. Strømknappen lyser GRØNT, og det skal høres en sekvens med tre (3) toner, etterfulgt av en annen tone. Deretter blinker instrumentkontaktdisplayet GULT. **<RECORD RESULTS> (REGISTRER RESULTATER)**
4. Fjern funksjonstestkabelen og slå UUT av og på igjen. Strømknappen skal være GRØNN. Mens du trykker og holder inne aktiveringsknappen på funksjonstestkabelen, setter du funksjonstestkabelen inn i instrumentkontakten. En enkelt tone vil lyde etterfulgt av at instrumentkontaktdisplayet blinker GULT. **<RECORD RESULTS> (REGISTRER RESULTATER)**
5. Slå UUT av og deretter på igjen for å tilbakestille fra forrige trinn. Sett bryteren på funksjonstestkabelen i «Åpen»-posisjonen, og trykk og hold aktiveringsknappen inne. Aktiveringsdisplayet vil vise FUKSIA et øyeblikk og begynne forseglingstonen, etterfulgt av GULT i ca. 1 sekund og 3-tonevarselet om ny griping. Dette kan høres ut som 4 toner. **<RECORD RESULTS> (REGISTRER RESULTATER)**
6. Sett bryteren på funksjonstestkabelen i «Kort»-posisjonen. Trykk og hold aktiveringsknappen inne og bekreft at aktiveringsdisplayet lyser FUKSIA og varierer i intensitet fra av til full intensitet med forseglingstonen. Dette etterfølges av et GULT aktiveringsdisplay og et 3-tonevarsel. **<RECORD RESULTS> (REGISTRER RESULTATER)**
7. Mens bryteren til funksjonstestkabelen fortsatt er i «Kort»-posisjonen, gjør du klar til å ta tiden med stoppeklokken fra du trykker på aktiveringsknappen til displayet viser GULT. Trykk på aktiveringsknappen og ta tiden på FUKSIA-fasen (forseglingsfasen). **<RECORD RESULTS> (REGISTRER RESULTATER)**
8. Mens bryteren til funksjonstestkabelen fortsatt er i «Kort»-posisjonen, gjør du deg klar til å vri volumknappen under FUKSIA-fasen (forseglingsfasen). Trykk på aktiveringsknappen, drei volumknappen til hvert ytterpunkt, og bekreft at volumet endres mellom minimum og maksimum nivå. **<RECORD RESULTS> (REGISTRER RESULTATER)**
9. Fjern testkabelen, slå av og koble fra UUT.

TESTING AV JORDINGSKONTINUITET:

1. Slå på ESA
2. Plugg strømkabelen fra UUT inn i ESA
3. Koble testledningen til V/Ω/A-kontakten på ESA for å måle ohm (Ω).
4. Koble testledningen til jordings-/nullstangen på ESA.
5. Kontroller at ESA måler motstand (Ω)
6. Nullstill ESA.
7. Fest testledningen til ekvipotensialkontakten på UUT.
8. Noter motstandsverdien som ses gjennom strømkabelen og UUT. **<RECORD RESULTS> (REGISTRER RESULTATER)**
9. Koble UUT fra ESA, slå av ESA.

JORDFEILTESTING

1. Slå på ESA.
2. Plugg strømkabelen fra UUT inn i ESA.
3. Sett funksjonstestkabelen inn i instrumentets kontakt.
4. Sett funksjonstestkabelen til normal, stable de RØDE og SVARTE banankontaktene sammen
5. Sett de stablede kontaktene inn i RA/R-porten (motstandsporten) på ESA
6. Bruk mikroampereinnstillingen (μA) og JORD til å utføre følgende serie med tester.
7. Normal/lukket <RECORD RESULTS> (REGISTRER RESULTATER)
8. Normal/åpen <RECORD RESULTS> (REGISTRER RESULTATER)
9. Reversert/åpen <RECORD RESULTS> (REGISTRER RESULTATER)
10. Reversert/lukket <RECORD RESULTS> (REGISTRER RESULTATER)
11. Fjern funksjonstestkabelen og gjenta testserien ovenfor.
12. Normal/lukket <RECORD RESULTS> (REGISTRER RESULTATER)
13. Normal/åpen <RECORD RESULTS> (REGISTRER RESULTATER)
14. Reversert/åpen <RECORD RESULTS> (REGISTRER RESULTATER)
15. Reversert/lukket <RECORD RESULTS> (REGISTRER RESULTATER)
16. Koble UUT fra ESA, slå av ESA.

IMPEDANSTESTER

1. Slå på ESuA
2. Slå på UUT
3. Sett bryteren for funksjonstestkabelen til normal
4. Plugg funksjonstestkabelens RØDE og SVARTE plugger i de tilsvarende ESuA VAR LOAD-kontaktene.
5. Sett inn funksjonstestkabelen i UUT
6. Bekreft at strømknappen er GRØNN, og at instrumentkontaktdisplayet er HVITT før du fortsetter.

Viktig

CoolSeal™-generatoren tester en rekke utgangseffekter. Den første aktiveringen er ved en effektutgang på 25 watt, den andre aktiveringen er ved en effektutgang på 35 watt, og den tredje aktiveringen er ved en effektutgang på 50 watt. Den fjerde aktiveringen starter denne sekvensen på nytt. For å starte sekvensen på nytt fra et kjent startpunkt, kobler du ganske enkelt fra funksjonstestkabelen og setter den inn igjen.

Viktig

Ved bruk av funksjonstestkabelen vil CoolSeal™-generatoren sette enheten i en feiltilstand hvis den resistive belastningen endres betydelig. Det er usannsynlig at dette vil skje under funksjonstesten, men hvis det skulle skje, kan du slå enheten av og på igjen for å tilbake stille enheten.

7. Still inn ESuA-belastningen til 25 ohm.
8. Start testen på ESuA.
9. Trykk og hold inne aktiveringsknappen.
10. Ved 25 ohm observeres den maksimale effektavlesningen ved 25 watt. <RECORD RESULTS> (REGISTRER RESULTATER)
11. Trykk og hold inne aktiveringsknappen.
12. Ved 25 ohm observeres den maksimale effektavlesningen ved 35 watt. <RECORD RESULTS> (REGISTRER RESULTATER)

-
13. Trykk og hold inne aktiveringsknappen.
 14. Ved 25 ohm observeres den maksimale effektavlesningen ved 50 watt. **<RECORD RESULTS> (REGISTRER RESULTATER)**
 15. Stopp testen på ESuA.
 16. Still inn ESuA-belastningen til 50 ohm
 17. Start testen på ESuA.
 18. Trykk og hold inne aktiveringsknappen.
 19. Ved 50 ohm observeres den maksimale effektavlesningen ved 25 watt. **<RECORD RESULTS> (REGISTRER RESULTATER)**
 20. Trykk og hold inne aktiveringsknappen.
 21. Ved 50 ohm observeres den maksimale effektavlesningen ved 35 watt. **<RECORD RESULTS> (REGISTRER RESULTATER)**
 22. Trykk og hold inne aktiveringsknappen.
 23. Ved 50 ohm observeres den maksimale effektavlesningen ved 50 watt. **<RECORD RESULTS> (REGISTRER RESULTATER)**
 24. Stopp testen på ESuA.
 25. Still inn ESuA-belastningen til 225 ohm
 26. Start testen på ESuA.
 27. Trykk og hold inne aktiveringsknappen.
 28. Ved 225 ohm observeres den maksimale effektavlesningen ved 25 watt. **<RECORD RESULTS> (REGISTRER RESULTATER)**
 29. Trykk og hold inne aktiveringsknappen.
 30. Ved 225 ohm observeres den maksimale effektavlesningen ved 35 watt. **<RECORD RESULTS> (REGISTRER RESULTATER)**
 31. Trykk og hold inne aktiveringsknappen.
 32. Ved 225 ohm observeres den maksimale effektavlesningen ved 50 watt. **<RECORD RESULTS> (REGISTRER RESULTATER)**
 33. Stopp testen på ESuA.
 34. Slå av alt og koble UUT fra testutstyret.

Oppsummeringsskjema for periodisk funksjonstest

Oppsummeringsskjema for periodisk funksjonstest side 1/2

Generator-SN: _____

Trinn	TEST	KRAV	Registrer verdier	Sett sirkel rundt bestått (pass) / ikke bestått (fail)
Inspeksjon				
1	Utvendig enhetsinspeksjon	Ingen skade		P / F
2	Strømledning	Ingen skade		P / F
Indikatorlamper og lydindikatorer				
1	Normal oppstart	GRØNN strømknapp og 3 toner		P / F
2	Normal instrumentinnsetting	Hvitt kontaktdisplay		P / F
3	Fastsittende knapp under oppstart	1) GRØNN strømknapp og 3 toner 2) 1 tone, deretter GUL blinkende kontakt		P / F
4	Fastsittende knapp etter oppstart	1 tone, deretter GUL blinkende kontakt		P / F
5	Test av åpen krets	1) Kort FUKSIA-display m/toner 2) GULT display med 3-tonevarsel		P / F
6	Kortslutningstest	1) 4-sekunders FUKSIA-display m/toner 2) GULT display med 3-tonevarsel		P / F
7	Varighet av forsegling	Ca. 4 sekunder med varierende FUKSIA-display	_____ sek	P / F
8	Volumtest	Volumendringer mellom min.- og maksnivåer		P / F

Testerens navn

Signatur

Dato

Oppsummeringsskjema for periodisk funksjonstest side 2/2

Generator-SN: _____

Trinn	TEST	KRAV	Registrer verdier	Sett sirkel rundt bestått (pass) / ikke bestått (fail)
Testing av jordingskontinuitet				
8	Jordingskontinuitetsverdi	< 0,200 ohm	_____ ohm	P / F
Jordfeiltesting				
7	Normal/lukket med kabel	< 0,500 μ A	_____ μ A	P / F
8	Normal/åpen med kabel		_____ μ A	P / F
9	Reversert/åpen med kabel		_____ μ A	P / F
10	Reversert/lukket med kabel		_____ μ A	P / F
12	Normal/lukket, ingen kabel		_____ μ A	P / F
13	Normal/åpen, ingen kabel		_____ μ A	P / F
14	Reversert/åpen, ingen kabel		_____ μ A	P / F
15	Reversert/lukket, ingen kabel		_____ μ A	P / F
Impedans				
10	Impedans 25 Ω / effekt 25 W	20 W – 30 W	_____ W	P / F
12	Impedans 25 Ω / effekt 35 W	28 W – 42 W	_____ W	P / F
14	Impedans 25 Ω / effekt 50 W	40 W – 60 W	_____ W	P / F
19	Impedans 50 Ω / effekt 25 W	20 W – 30 W	_____ W	P / F
21	Impedans 50 Ω / effekt 35 W	28 W – 42 W	_____ W	P / F
23	Impedans 50 Ω / effekt 50 W	40 W – 60 W	_____ W	P / F
28	Impedans 225 Ω / effekt 25 W	20 W – 30 W	_____ W	P / F
30	Impedans 225 Ω / effekt 35 W	28 W – 42 W	_____ W	P / F
32	Impedans 225 Ω / effekt 50 W	40 W – 60 W	_____ W	P / F

Testerens navn _____

Signatur _____

Dato _____

Garanti

Bolder Surgical garanterer at hvert produkt som produseres av det, er fritt for defekter i materiale og utførelse under normal bruk og service i perioden(e) som er angitt nedenfor. Bolder Surgicals eneste forpliktelse og kundens eksklusive rettsmiddel for brudd på denne garantien er begrenset til reparasjon eller erstatning, etter Bolder Surgicals skjønn, av ethvert produkt eller del av det som har blitt returnert til det eller dets distributør innen den gjeldende tidsperioden vist nedenfor etter levering av produktet til den opprinnelige kjøperen, og hvor undersøkelse viser, til Bolder Surgicals tilfredsstillende, at produktet er defekt. Denne garantien gjelder ikke for noen produkter, eller deler av dem, som er blitt reparert eller endret av noen andre enn Bolder Surgical eller deres autoriserte representanter, eller som har vært utsatt for misbruk, forsømmelse eller ulykke. Garantiperiodene for Bolder Surgical-produkter er som følger:

Produkttype	Garantiperiode (tid etter forsendelse fra Bolder Surgical)
CoolSeal™-generator	1 år fra forsendelsesdato

MED UNNTAK AV DE BEGRENSEDE GARANTIENE OVENFOR FRASKRIVER BOLDER SURGICAL SEG, I DEN GRAD DET ER TILLATT I HENHOLD TIL GJELDENE LOV, UTTRYKkelig ALLE ANDRE GARANTIER, UTTRYKTE, UNDERFORSTÅTTE ELLER LOVBESTEMTE, INKLUDERT, MEN IKKE BEGRENSET TIL, UNDERFORSTÅTTE GARANTIER OM SALGBARHET OG MANGLENDE OVERTREDELSE.

TIL TROSS FOR EVENTUELLE ANDRE BESTEMMELSER HERI ELLER I NOE ANNET DOKUMENT ELLER KOMMUNIKASJON OM DET MOTSATTE, VIL IKKE BOLDER SURGICAL I NOE TILFELLE VÆRE ANSVARLIG FOR TAP AV FORTJENESTE ELLER INNTEKTER, TAP AV PRODUKT, TAP AV BRUK AV PRODUKTER, VIRKSOMHETSAVBRUDD ELLER FOR NOEN FØLGESKADER ELLER SPESIELLE, TILFELDIGE ELLER INDIREKTE SKADER ELLER OPPREISNING ELLER STRAFFEERSTATNING. BOLDER SURGICALS TOTALE ANSVAR FOR ALLE KRAV SOM OPPSTÅR SOM FØLGE AV ELLER I FORBINDELSE MED DENNE AVTALEN OG ETHVERT PRODUKT, SKAL VÆRE BEGRENSET TIL GENERELLE PENGEERSTATNINGER SOM BELØPER SEG TIL ET BELØP SOM IKKE OVERSTIGER DEN TOTALE KJØPSPRISEN FOR PRODUKTET SOM GIR OPPHAV TIL KRAVET. Disse begrensningene og utelukkelsene skal gjelde uavhengig av om et krav er basert på kontrakt, garanti, erstatning, erstatningsansvar for skadeserstatning (inkludert uaktsomhet), objektivt ansvar eller på annen måte. Bolder Surgical verken påtar seg eller autoriserer noen annen part til å påta seg noe annet ansvar i forbindelse med salg eller bruk av noen av Bolder Surgicals produkter.

Denne garantien og rettighetene og forpliktelsene herunder skal fortolkes i henhold til og reguleres av lovene i delstaten Colorado i USA. Alle søksmål fra eller relatert til denne garantien skal bringes eksklusivt for de statlige eller føderale domstolene som befinner seg i Boulder eller Denver i Colorado i USA, og enhver rett til å protestere mot vernettinget frafalles herved av kunden. Bolder Surgical, dets forhandlere og representanter forbeholder seg retten til å endre, modifisere eller redesigne sine produkter uten noen forpliktelse til å endre eller erstatte produkter som tidligere er bygget og/eller solgt av dem.

Índice

Prefácio.....	422
Equipamento abordado neste manual	422
Informações sobre patentes:	422
Reconhecimento de marcas comerciais	422
Fabricado por:.....	422
Para obter informações, ligue.....	422
Convenções utilizadas neste manual.....	422
Capítulo 1. Descrição geral e características genéricas.....	423
Introdução	423
Indicação de utilização.....	423
Contraindicações de utilização	423
Painel frontal.....	424
Painel traseiro	424
Vista inferior	425
Lista de acessórios	425
Instrumentos de selagem de vasos compatíveis.....	425
Capítulo 2. Segurança do doente e do bloco operatório	426
Advertências e precauções.....	426
Descrição geral	426
Segurança da configuração do gerador	426
Compatibilidade eletromagnética	427
Perigo de incêndio durante cirurgia orofaríngea.....	427
Pacemakers e CDI.....	427
Ligar um instrumento CoolSeal™	428
Limpeza do gerador CoolSeal™	428
Assistência técnica do gerador CoolSeal™	428
Capítulo 3. Configuração e utilização do gerador CoolSeal™	429
Desembalar o gerador CoolSeal™	429
Inspeccionar o gerador CoolSeal™	429
Segurança da configuração.....	429
Configurar o gerador CoolSeal™	430
Ajustar o volume	431

Ligar um instrumento CoolSeal™	431
Ligar um instrumento CoolSeal™ ao gerador CoolSeal™	431
Ativar um instrumento CoolSeal™	431
Descrições das condições de alerta.....	432
Capítulo 4. Pós-cirurgia.....	435
Desligar o gerador CoolSeal™	435
Preparar o gerador CoolSeal™ para a reutilização.....	435
Capítulo 5. Resolução de problemas.....	436
Orientações gerais para a resolução de problemas	436
Corrigir avarias	436
Resposta anormal do doente	436
Avarias do gerador CoolSeal™	436
Interações potenciais com outros dispositivos.....	438
Capítulo 6. Testes funcionais periódicos, manutenção e assistência	439
Responsabilidade do fabricante.....	439
Testes funcionais periódicos e manutenção	439
Quando devem ser realizados os testes funcionais periódicos?	439
Quando é que o cabo de alimentação deve ser substituído?	439
Quando é que os fusíveis devem ser substituídos?.....	439
Como é que os fusíveis podem ser substituídos?	439
Assistência do produto	440
Devolução do gerador CoolSeal™ para assistência.....	440
Atualizações de software	440
Capítulo 7. Especificações técnicas	441
Características de desempenho	441
Geral	441
Dimensões e peso	441
Parâmetros operacionais.....	441
Transporte e armazenamento.....	441
Memória interna	441
Sinal sonoro de ativação.....	442
Sinais de alerta.....	442
Potência de entrada	442
Especificação do cabo de alimentação.....	442

Especificações técnicas	443
Frequência de entrada.....	443
Corrente de entrada	443
Alimentação de reserva	443
Conexão equipotencial	443
Ciclo de trabalho	443
Corrente de fuga de baixa frequência (50 Hz/60 Hz)	443
Normas e classificações IEC	443
Símbolos	444
Classificações	445
Equipamento de Classe I (IEC 60601-1).....	445
Compatibilidade eletromagnética (IEC 60601-1-2)	445
Equipamento de tipo CF (IEC 60601-1).....	445
Entrada/derrame de líquidos IP XX (IEC 60601-1 e IEC 60601-2-2).....	445
Transientes de tensão – Transferência de corrente elétrica da plataforma de energia (IEC60601-1 e IEC 60601-2-2).....	445
Compatibilidade eletromagnética (IEC 60601-1-2 e IEC60601-2-2)	445
Características de saída	445
Saída máxima para o gerador CoolSeal™	445
Imunidade eletromagnética	446
Apêndice A – Testes funcionais periódicos	450
Definições.....	450
Equipamento necessário:.....	450
Critérios de aprovação/reprovação:	450
Procedimento:.....	451
Formulário de resumo dos testes funcionais periódicos	454
Garantia	456

Prefácio

Este manual e o equipamento que descreve destinam-se a ser utilizados apenas por profissionais médicos qualificados com formação na técnica específica e no procedimento cirúrgico a realizar. Destina-se a servir de guia para a utilização exclusiva do gerador CoolSeal™.

Equipamento abordado neste manual

Gerador CoolSeal™ – CSL-200-50

Informações sobre patentes

<https://boldersurgical.com/patents/>

Reconhecimento de marcas comerciais

Gerador CoolSeal™

Fabricado por:



Bolder Surgical
331 S. 104th Street, Suite 200
Louisville, CO 80027 EUA
Fabricado nos EUA
Tel.: +1 866.683.1743
www.BolderSurgical.com

Mandatário:



Emergo Europe B.V.
Prinsessegracht 20
2514 AP Haia
Países Baixos

Para obter informações, ligue

+1 866.683.1743

Convenções utilizadas neste manual

Advertência

Indica uma situação potencialmente perigosa que, se não for evitada, pode resultar em morte ou lesões graves

Precaução

Indica uma situação potencialmente perigosa que, se não for evitada, pode resultar em lesões ligeiras ou moderadas

Aviso

Indica um perigo que pode resultar em danos no produto.

Importante

Indica uma dica de funcionamento ou sugestão de manutenção.

Capítulo 1. Descrição geral e características genéricas

Esta secção inclui as seguintes informações:

- Introdução
- Indicações de utilização
- Contraindicações de utilização
- Painel frontal
- Painel traseiro
- Vista inferior
- Lista de acessórios
- Instrumentos de selagem de vasos compatíveis

Precaução

Leia todas as advertências, precauções e instruções fornecidas com este gerador antes da utilização. Este manual não inclui instruções específicas para instrumentos CoolSeal™. Consulte as advertências, precauções e instruções nas instruções de utilização do instrumento CoolSeal™.

A lei federal (EUA) restringe a venda deste dispositivo a médicos ou mediante prescrição médica.

Introdução

O gerador CoolSeal™ fornece energia de radiofrequência (RF) para aplicações de selagem de vasos.

O gerador CoolSeal™ deteta automaticamente instrumentos codificados e configura o gerador CoolSeal™ em conformidade. A segurança e a funcionalidade de diagnóstico incluem funções automáticas à prova de falhas.

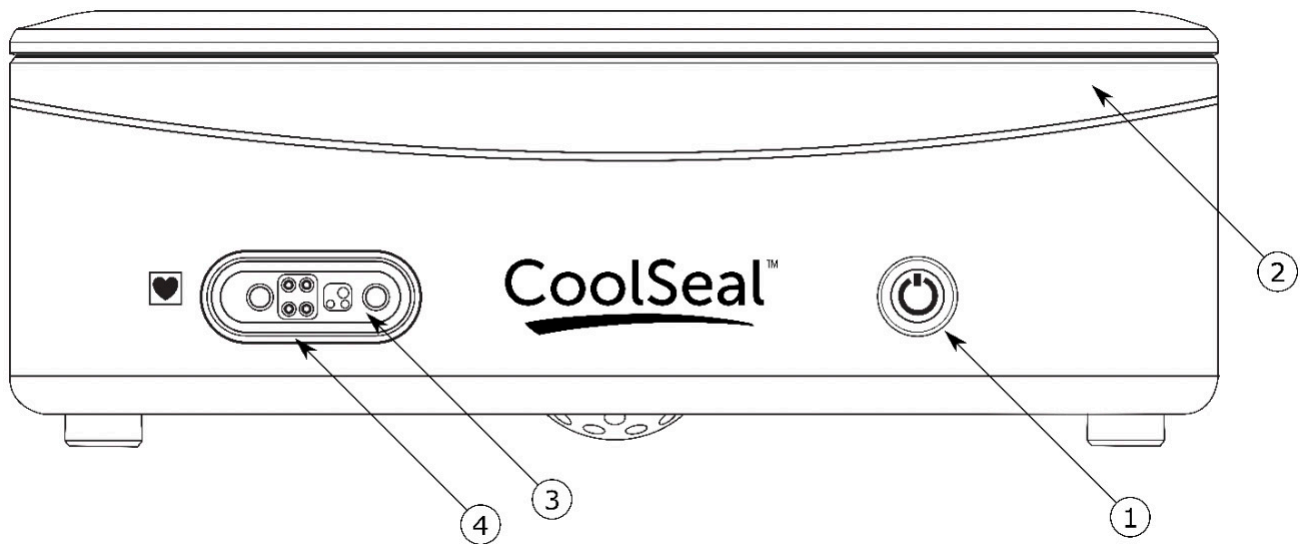
Indicação de utilização

O gerador CoolSeal™ destina-se a fornecer energia de radiofrequência (RF) a instrumentos CoolSeal™ compatíveis para aplicações de selagem de vasos. A aplicação específica dependerá do dispositivo cirúrgico compatível ligado ao gerador. Este gerador foi concebido para ser utilizado apenas com dispositivos cirúrgicos compatíveis com a tecnologia CoolSeal™.

Contraindicações de utilização

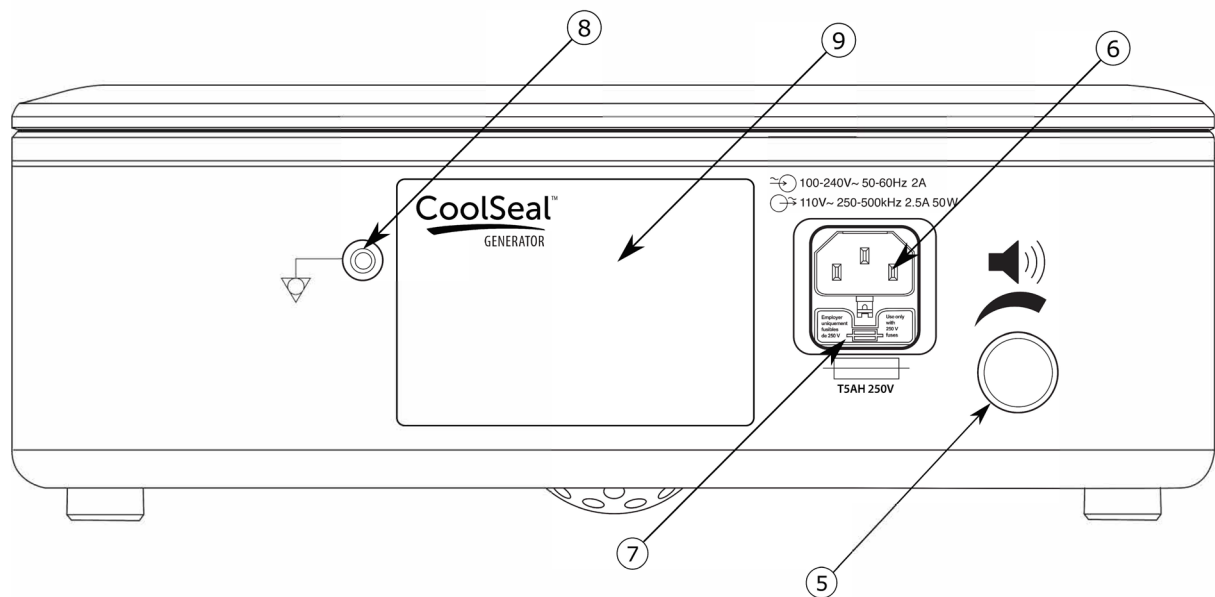
Nenhuma conhecida especificamente para o gerador CoolSeal™.

Painel frontal



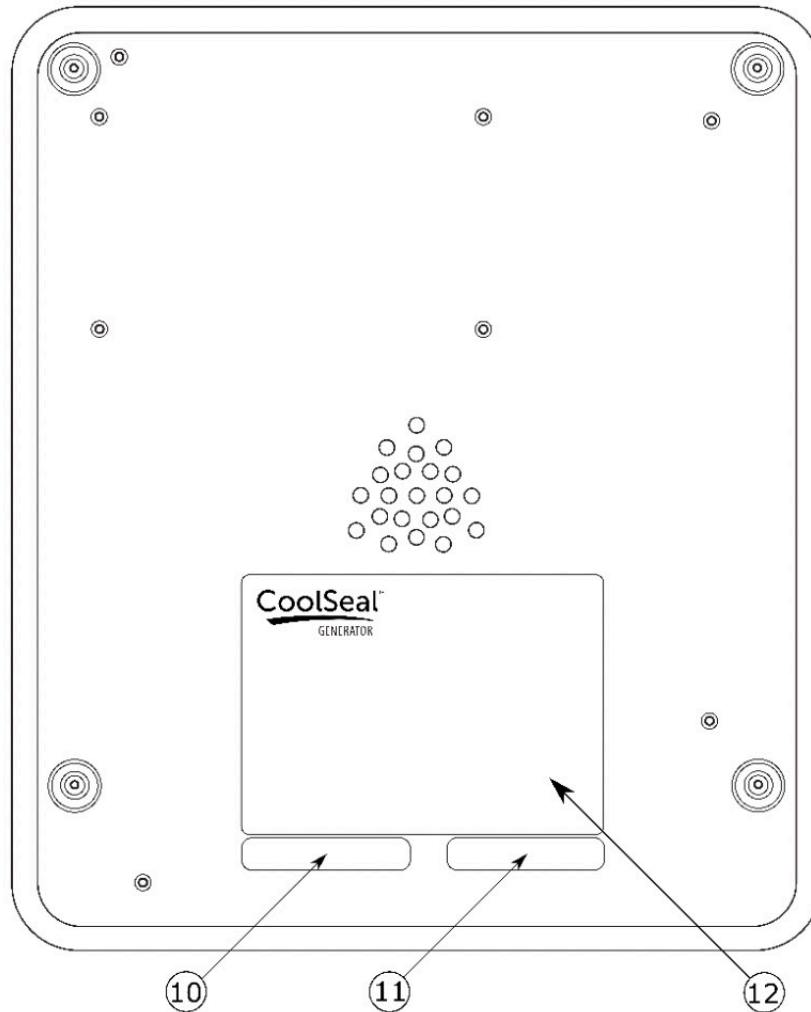
- (1) Botão de alimentação com luz
- (2) Ecrã de ativação
- (3) Tomada do instrumento CoolSeal™
- (4) Ecrã da tomada do instrumento

Painel traseiro



- (5) Controlo de ajuste do volume
- (6) Entrada do cabo de alimentação
- (7) Gaveta de fusíveis
- (8) Conector equipotencial
- (9) Etiqueta de advertências e precauções de segurança

Vista inferior



- (10) Etiqueta de data do teste final
- (11) Etiqueta da versão do software
- (12) Etiqueta das informações de fabrico

Lista de acessórios

Cabo de alimentação – específico para os EUA
Cabo do teste funcional CSL-FTC (não incluído)

Instrumentos de selagem de vasos compatíveis

Os instrumentos CoolSeal™ compatíveis terão conectores que correspondem à seguinte ilustração. Consulte as instruções de utilização do instrumento CoolSeal™ relativamente à compatibilidade com a tecnologia CoolSeal™.



Capítulo 2. Segurança do doente e do bloco operatório

A utilização segura e eficaz da eletrocirurgia depende, em grande medida, de fatores exclusivamente sob o controlo do operador. Não existe substituto para uma equipa cirúrgica com formação adequada e vigilante. É importante que as instruções de funcionamento fornecidas com este ou com qualquer equipamento eletrocirúrgico sejam lidas, compreendidas e seguidas. A eletrocirurgia tem sido utilizada em segurança em vários procedimentos. Antes de iniciar qualquer procedimento cirúrgico, o cirurgião deve receber formação sobre a técnica específica e o procedimento cirúrgico a realizar, deve estar familiarizado com a literatura médica relacionada com o procedimento e as potenciais complicações e também com os riscos/benefícios de utilização da eletrocirurgia no procedimento.

Para promover a utilização segura do gerador CoolSeal™, esta secção apresenta as advertências e precauções que aparecem ao longo deste manual do utilizador. Também é importante que leia, compreenda e siga as instruções de utilização constantes das instruções de utilização do instrumento CoolSeal™.

Advertências e precauções

Descrição geral

Precaução
Leia todas as advertências, precauções e instruções fornecidas com este gerador antes da utilização. Este manual não inclui instruções específicas para instrumentos CoolSeal™. Consulte as advertências, precauções e instruções nas instruções de utilização do instrumento CoolSeal™.
A lei federal (EUA) restringe a venda deste dispositivo a médicos ou mediante prescrição médica.

Segurança da configuração do gerador

Advertência
Perigo de choque elétrico: Ligue o cabo de alimentação do sistema a uma tomada com ligação à terra. Não utilize adaptadores da ficha de alimentação.
Perigo de incêndio: Não utilize extensões elétricas nem tomadas múltiplas.
Segurança do doente: Utilize o gerador CoolSeal™ apenas se o autoteste de arranque tiver sido concluído conforme descrito neste manual; caso contrário, podem ocorrer saídas de potência imprecisas.
Este equipamento destina-se a ser utilizado apenas por médicos com formação e licença. A utilização deste equipamento sem tal formação pode resultar em lesões graves no doente.
O gerador CoolSeal™ só é compatível com instrumentos CoolSeal™. Não podem ser utilizados outros instrumentos bipolares.
Não enrole os cabos do instrumento à volta de objetos metálicos. Isto pode induzir correntes vagabundas que podem levar a choques, incêndios ou lesões no doente ou na equipa cirúrgica.
Perigo de choque elétrico: Não ligue conectores molhados do instrumento ao gerador CoolSeal™. Certifique-se de que todos os instrumentos e adaptadores estão corretamente.
Antes de cada utilização, inspecione o cabo do equipamento quanto a quebras, fissuras, fendas e outros danos. Se estiver danificado, não o utilize. Cabos de equipamento danificados podem resultar em lesões ou choque elétrico no doente ou na equipa cirúrgica.

Precaução

Defina o controlo de volume do sistema para um nível que garanta que os sons de ativação podem ser ouvidos.

Não diminua o sinal sonoro de ativação para um nível inaudível. O sinal sonoro de ativação alerta a equipa cirúrgica quando o gerador CoolSeal™ está a fornecer energia RF.

Examine todos os instrumentos e ligações ao sistema antes da utilização. Certifique-se de que os instrumentos funcionam conforme pretendido. Uma ligação inadequada pode resultar em arcos, faíscas, avaria do instrumento ou efeitos cirúrgicos indesejados.

Um gerador CoolSeal™ que não funcione pode interromper a cirurgia. Deve estar disponível um sistema de reserva para utilização.

A utilização de acopladores de aparelho, ou seja, cabos de alimentação diferentes dos especificados, pode resultar no aumento de emissões ou na diminuição da imunidade do equipamento.

Mantenha a distância máxima possível entre o gerador CoolSeal™ e outros equipamentos eletrónicos, tais como monitores. Não cruze nem agrupe cabos de dispositivos eletrónicos. Este gerador pode provocar interferências com outros equipamentos eletrónicos. Se ocorrerem interferências, mude a localização do equipamento.

Estudos demonstraram que o fumo gerado durante procedimentos eletrocirúrgicos pode ser potencialmente prejudicial para os doentes e equipa cirúrgica. Estes estudos recomendam a ventilação adequada do fumo, utilizando um sistema de evacuação de fumo cirúrgico ou outros meios.¹

1. U.S. Department of Health and Human Services. National Institute for Occupational Safety and Health (NIOSH). Control of Smoke from Laser/Electric Surgical Procedures. HAZARD CONTROLS, Publication No. 96-128, September 1996.

Compatibilidade eletromagnética

Advertência

A utilização deste equipamento adjacente a ou empilhado com outro equipamento deve ser evitada, pois pode resultar num funcionamento inadequado. Se tal utilização for necessária, este e o outro equipamento devem ser observados para verificar se estão a funcionar normalmente.

Equipamentos de comunicação por RF portáteis não devem ser utilizados a menos de 30 cm (12 polegadas) de qualquer parte do gerador CoolSeal™, incluindo cabos, especificada pela Bolder Surgical. Caso contrário, poderá ocorrer degradação do desempenho deste equipamento.

Perigo de incêndio durante cirurgia orofaríngea

Advertência

Verifique se os tubos endotraqueais não apresentam fugas e se o cuff veda corretamente para evitar fugas de oxigénio.

Pacemakers e CDI

Advertência

NÃO UTILIZE em doentes que tenham implantes eletrónicos, como pacemakers cardíacos, sem consultar primeiro um profissional qualificado (por exemplo, cardiologista). Existe um possível perigo, uma vez que pode ocorrer interferência com a ação do implante eletrónico, ou o implante pode ser danificado.

Ligar um instrumento CoolSeal™

Advertência

Perigo de choque elétrico

- Não ligue instrumentos molhados ao gerador CoolSeal™.
- Certifique-se de que todos os instrumentos estão corretamente ligados e que nenhum metal está exposto em qualquer ponto de ligação

Encaixe corretamente o instrumento na tomada. Uma ligação inadequada pode resultar na ativação inadvertida do instrumento ou em outras condições potencialmente perigosas. Siga as instruções fornecidas com os instrumentos de selagem de vasos CoolSeal™.

A tomada do instrumento neste sistema foi concebida para aceitar apenas um instrumento de cada vez. Não tente ligar mais do que um instrumento de cada vez a uma determinada tomada. Se o fizer, provocará a ativação simultânea dos instrumentos.

Precaução

Antes de cada utilização, inspecione os instrumentos e os cabos quanto a quebras, fissuras, fendas e outros danos. Se estiver danificado, não o utilize. Instrumentos ou cabos danificados podem resultar em lesões ou choques elétricos no doente ou na equipa cirúrgica.

Limpeza do gerador CoolSeal™

Advertência

Perigo de choque elétrico

Desligue sempre o gerador CoolSeal™ e retire a ficha da tomada elétrica antes de proceder à limpeza.

Assistência técnica do gerador CoolSeal™

Advertência

Perigo de choque elétrico

Não retire a tampa do gerador CoolSeal™.

Não tente reparar o gerador CoolSeal™. Toda a assistência e reparação tem de ser realizada por um técnico da Bolder Surgical™.

Precaução

O gerador CoolSeal™ não pode ser eliminado no fim da vida útil juntamente com outros resíduos. Para reciclar resíduos de equipamento, obtenha instruções junto da Bolder Surgical (ligue para o número +1 866.683.1743) ou contacte o seu representante de vendas local para discutir os processos e as soluções de eliminação de resíduos locais. O gerador CoolSeal™ apresenta riscos semelhantes aos de componentes eletrónicos para consumidores, tais como computadores. Não existem substâncias radioativas, baterias ou líquidos perigosos que possam sair do gerador CoolSeal™.

Capítulo 3. Configuração e utilização do gerador CoolSeal™

Este capítulo abrange os seguintes tópicos:

- Desembalar o gerador CoolSeal™
- Inspeccionar o gerador CoolSeal™
- Segurança da configuração
- Configurar o gerador CoolSeal™
- Ajustar o volume dos sons de ativação
- Ligar um instrumento CoolSeal™
- Ativar o instrumento CoolSeal™
- Descrições das condições de alerta

Precaução

Leia todas as advertências, precauções e instruções fornecidas com este gerador antes da utilização. Este manual não inclui instruções específicas para instrumentos CoolSeal™. Consulte as advertências, precauções e instruções nas instruções de utilização do instrumento CoolSeal™.

Desembalar o gerador CoolSeal™

1. Retire o gerador CoolSeal™ da caixa de transporte e do material de embalagem.
2. Inspeccione o dispositivo para verificar se existem danos visíveis.

Inspeccionar o gerador CoolSeal™

Antes de cada utilização do gerador CoolSeal™, verifique se a unidade e todos os acessórios estão em bom estado de funcionamento:

- Inspeccione o gerador e todas as suas ligações quanto a danos.
- Inspeccione todos os cabos e conectores quanto a sinais de desgaste, danos e abrasão.
- Verifique se não ocorrem erros quando liga a unidade.

Segurança da configuração

Advertência

Perigo de choque elétrico: Ligue o cabo de alimentação do sistema a uma tomada com ligação à terra. Não utilize adaptadores da ficha de alimentação.

Perigo de incêndio: Não utilize extensões elétricas nem tomadas múltiplas.

Segurança do doente: Utilize o gerador CoolSeal™ apenas se o autoteste de arranque tiver sido concluído conforme descrito neste manual; caso contrário, podem ocorrer saídas de potência imprecisas.

Este equipamento destina-se a ser utilizado apenas por médicos com formação e licença. A utilização deste equipamento sem tal formação pode resultar em lesões graves no doente.

O gerador CoolSeal™ só é compatível com instrumentos CoolSeal™. Não podem ser utilizados outros instrumentos bipolares.

Não enrole os cabos do instrumento à volta de objetos metálicos. Isto pode induzir correntes vagabundas que podem levar a choques, incêndios ou lesões no doente ou na equipa cirúrgica.

Perigo de choque elétrico: Não ligue conectores molhados do instrumento ao gerador CoolSeal™. Certifique-se de que todos os instrumentos e adaptadores estão corretamente.

Antes de cada utilização, inspeccione o cabo do equipamento quanto a quebras, fissuras, fendas e outros danos. Se estiver danificado, não o utilize. Cabos de equipamento danificados podem resultar em lesões ou choque elétrico no doente ou na equipa cirúrgica.

Precaução

Defina o controlo de volume do sistema para um nível que garanta que os sons de ativação podem ser ouvidos.

Não diminua o sinal sonoro de ativação para um nível inaudível. O sinal sonoro de ativação alerta a equipa cirúrgica quando o gerador CoolSeal™ está a fornecer energia RF.

Examine todos os instrumentos e ligações ao sistema antes da utilização. Certifique-se de que os instrumentos funcionam conforme pretendido. Uma ligação inadequada pode resultar em arcos, faíscas, avaria do instrumento ou efeitos cirúrgicos indesejados.

Um gerador CoolSeal™ que não funcione pode interromper a cirurgia. Deve estar disponível um sistema de reserva para utilização.

A utilização de acopladores de aparelho, ou seja, cabos de alimentação diferentes dos especificados, pode resultar no aumento de emissões ou na diminuição da imunidade do equipamento.

Mantenha a distância máxima possível entre o gerador CoolSeal™ e outros equipamentos eletrónicos, tais como monitores. Não cruze nem agrupe cabos de dispositivos eletrónicos. Este gerador pode provocar interferências com outros equipamentos eletrónicos. Se ocorrerem interferências, mude a localização do equipamento.

Estudos demonstraram que o fumo gerado durante procedimentos eletrocirúrgicos pode ser potencialmente prejudicial para os doentes e equipa cirúrgica. Estes estudos recomendam a ventilação adequada do fumo, utilizando um sistema de evacuação de fumo cirúrgico ou outros meios.¹

1. U.S. Department of Health and Human Services. National Institute for Occupational Safety and Health (NIOSH). Control of Smoke from Laser/Electric Surgical Procedures. HAZARD CONTROLS, Publication No. 96-128, September 1996.

Configurar o gerador CoolSeal™

1. Coloque o gerador CoolSeal™ numa superfície plana e estável, como uma mesa, plataforma, sistema de grua ou carrinho. São recomendados carrinhos com rodas não condutoras. Consulte os procedimentos para a sua instituição local ou os seus regulamentos locais.
2. Se exigido pela instituição ou regulamentos locais, ligue o conector equipotencial a uma fonte com ligação à terra.
3. Ligue o cabo de alimentação do sistema à entrada elétrica no painel traseiro.
4. Ligue o cabo de alimentação do sistema a uma tomada de parede CA com ligação à terra.

Aviso

Não ligue o gerador CoolSeal™ a uma extensão elétrica nem a um cabo.

Não posicione o dispositivo de forma que seja difícil desligar o cabo de alimentação.

Importante

Se transportado ou armazenado a temperaturas fora do intervalo de temperatura de funcionamento, aguarde uma hora para que o gerador CoolSeal™ alcance a temperatura de funcionamento.

Ligue o sistema, premindo o botão de alimentação em espera () na parte da frente da unidade. Observe o seguinte durante o autoteste de inicialização:

- A unidade executa o autoteste de inicialização.
- O botão de alimentação fica verde.
- Um alerta sonoro emite três (3) sinais sonoros de ½ segundo após a conclusão bem-sucedida da autoverificação.

Aviso

Verifique se o sistema concluiu com sucesso o autoteste de arranque antes de ligar os instrumentos.

Se a unidade falhar o autoteste de inicialização:

- O botão de alimentação não se acende ou acende-se a vermelho
- Após a verificação automática sem sucesso, é emitido um (1) sinal sonoro de ½ segundo

Para mais informações, consulte as secções Condições de alerta ou Resolução de problemas

Ajustar o volume

O volume do alerta e dos sinais sonoros de ativação pode ser ajustado, rodando o botão de volume no painel traseiro do gerador CoolSeal™.

Aviso

O volume mínimo dos sinais sonoros de alerta será sempre mais alto do que o sinal sonoro de ativação.

Ligar um instrumento CoolSeal™

Advertência

Perigo de choque elétrico

- Não ligue instrumentos húmidos ao gerador CoolSeal™.
- Certifique-se de que todos os instrumentos estão corretamente ligados e que nenhum metal está exposto em qualquer ponto de ligação.

Encaixe corretamente o instrumento na tomada. Uma ligação inadequada pode resultar na ativação inadvertida do instrumento ou em outras condições potencialmente perigosas. Siga as instruções fornecidas com os instrumentos CoolSeal™ para uma ligação e utilização corretas.

A tomada do instrumento neste sistema foi concebida para aceitar apenas um instrumento de cada vez. Não tente ligar mais do que um instrumento de cada vez a uma determinada tomada. Se o fizer, provocará a ativação simultânea dos instrumentos.

Precaução

Antes de cada utilização, inspecione os instrumentos e os cabos quanto a quebras, fissuras, fendas e outros danos. Se estiver danificado, não o utilize. Instrumentos ou cabos danificados podem resultar em lesões ou choques elétricos no doente ou na equipa cirúrgica.

Ligar um instrumento CoolSeal™ ao gerador CoolSeal™

1. Ligue um instrumento CoolSeal™ à tomada do instrumento no painel frontal do gerador CoolSeal™.
2. Verifique a colocação e ligação corretas, observando se a luz do visor da tomada do instrumento fica verde.

Se o gerador CoolSeal™ não reconhecer o instrumento ligado, o visor da tomada do instrumento acende-se a vermelho ou não se acende, e emite um único sinal sonoro de alerta. Consulte as secções Condições de alerta ou Resolução de problemas.

Ativar um instrumento CoolSeal™

1. Ative o instrumento CoolSeal™ de acordo com as instruções de utilização do instrumento.
2. Observe o seguinte durante a ativação do instrumento:
 - O ecrã de ativação fica aceso a azul e, durante o fornecimento de energia, varia na luminosidade.
 - Durante o fornecimento de energia, é emitido um sinal sonoro de ativação contínuo.
3. Quando o ciclo de selagem estiver concluído, observe o seguinte:
 - Uma sequência de três sons é emitida quando a selagem estiver concluída. O botão de ativação deve, então, ser libertado.
 - O visor de ativação no painel frontal do gerador CoolSeal™ acende-se momentaneamente a azul.
 - O ecrã de ativação apaga-se.

No caso de uma condição de alerta, consulte as secções Condições de alerta ou Resolução de problemas.

Descrições das condições de alerta

Quando ocorre uma condição de alerta:

- É emitido um sinal sonoro de alerta
- Um dos ecrãs do gerador CoolSeal™ fica azul, laranja ou vermelho
- A administração de energia é interrompida

A energia fica disponível depois de a situação de alerta ter sido corrigida. Consulte a tabela seguinte para resolver condições de alerta:

Condição de alerta:	Indicado por:	Causas:	Para resolver:	
Selagem concluída	<ul style="list-style-type: none"> • Um alerta de três sons sequenciais • O fornecimento de energia RF é interrompido • O ecrã de ativação acende-se a azul durante meio (0,5) segundo 	Selagem do vaso bem-sucedida.	Nenhuma. Operação normal.	
Reativar/selagem incompleta	<ul style="list-style-type: none"> • Um sinal sonoro de alerta de três impulsos • O fornecimento de energia RF é interrompido • O ecrã de ativação acende-se a laranja durante um (1) segundo 	<p>O tempo de selagem excede cinco (5) segundos OU</p> <p>O utilizador abriu as mandíbulas do instrumento ou soltou o botão de ativação, o que fez com que o ciclo de selagem fosse interrompido antes que a selagem fosse concluída OU</p> <p>A corrente permanece no seu limite máximo de durante mais de quatro (4) segundos, o que indica que ocorreu um curto-circuito elétrico entre as mandíbulas OU</p> <p>O instrumento foi ativado ao ar livre.</p>	<ol style="list-style-type: none"> 1. Solte o botão de ativação 2. Prima o botão de ativação para reativar o ciclo de selagem sem reposicionar o instrumento 3. Abra as mandíbulas do instrumento e verifique se a selagem foi bem-sucedida 4. Se possível, reposicione o instrumento e volte a agarrar o tecido noutra local e, em seguida, reative o ciclo de selagem 5. Inspeccione visualmente a selagem antes de cortar 	
		As condições de utilização possíveis incluem:		
		Prender tecido fino ou ativar ao ar.	Abra as mandíbulas e confirme que existe uma quantidade suficiente de tecido no interior das mandíbulas. Se necessário, aumente a quantidade de tecido e repita o procedimento	
		Demasiado tecido preso entre as mandíbulas.	Abra as mandíbulas e reduza a quantidade de tecido que é agarrada e reative o ciclo de selagem	
		Segurar num objeto metálico.	Evite agarrar objetos, tais como agafos, cliques ou suturas encapsuladas nas mandíbulas do instrumento	
		Ativação em excesso de fluidos acumulados em redor da ponta do instrumento.	<ol style="list-style-type: none"> 1. Minimize ou remova o excesso de fluidos 2. Reative o ciclo de selagem sem reposicionar o instrumento 	
Excesso de escaras de tecido nas pontas dos eletrodos.	Utilize uma compressa de gaze húmida para limpar as superfícies e as extremidades das mandíbulas do instrumento.			

<p>Erro do sistema</p>	<ul style="list-style-type: none"> Um sinal sonoro de alerta de impulso único O fornecimento de energia RF é interrompido O botão de alimentação acende-se e permanece vermelho 	<p>O gerador não está a funcionar corretamente, falhou uma verificação automática interna.</p>	<ol style="list-style-type: none"> Prima o botão de alimentação para desligar o gerador Aguarde, pelo menos, 30 segundos Prima o botão de alimentação para ligar o gerador Confirme se o botão de alimentação está aceso a verde antes da utilização. <p>Se o erro do sistema voltar a ocorrer:</p> <ul style="list-style-type: none"> Não utilize o gerador. Utilize um gerador CoolSeal™ diferente ou meios alternativos para concluir o procedimento. <p>Devolva o gerador avariado de acordo com as instruções na secção de Assistência ao produto deste manual.</p>
<p>Erro do instrumento</p>	<ul style="list-style-type: none"> Um sinal sonoro de alerta de impulso único O visor da tomada do instrumento acende-se a laranja e pisca continuamente O gerador não permite o fornecimento de energia RF 	<p>O gerador não está a funcionar corretamente, falhou uma verificação automática interna.</p>	<ol style="list-style-type: none"> Desligue o instrumento do gerador. Certifique-se de que o botão de ativação do instrumento não está a ser premido. Volte a ligar o instrumento ao gerador. Confirme se o visor do recetáculo do instrumento fica verde <p>Se o erro do instrumento voltar a ocorrer:</p> <ul style="list-style-type: none"> Não utilize o instrumento Utilize um instrumento CoolSeal™ diferente.
<p>As condições de utilização possíveis incluem:</p>			
<p>Pressão inadvertida do botão de ativação do instrumento durante a ligação do instrumento.</p>		<p>Remova tudo o que estiver a premir o botão de ativação do instrumento e volte a ligar o instrumento.</p>	
<p>O interruptor do instrumento está avariado.</p>		<p>Substitua o instrumento.</p>	

Instrumento inválido	<ul style="list-style-type: none"> • Um sinal sonoro de alerta de impulso único • O ecrã da tomada acende-se e permanece vermelho • O gerador não permite o fornecimento de energia RF 	Foi ligado um instrumento inutilizável.	<ol style="list-style-type: none"> 1. Desligue o instrumento do gerador. 2. Certifique-se de que o instrumento é compatível com o CoolSeal™ 3. Ligue novamente o instrumento ao gerador. 4. Confirme se o visor da tomada do instrumento fica verde <p>Se o erro do instrumento voltar a ocorrer:</p> <ul style="list-style-type: none"> • Não utilize o instrumento • Utilize um instrumento CoolSeal™ diferente.
		As condições de utilização possíveis incluem:	
		O instrumento ligado não é compatível com a tecnologia CoolSeal™.	Confirme a compatibilidade do instrumento com a tecnologia CoolSeal™ nas instruções de utilização do mesmo.
		O instrumento ligado já foi utilizado anteriormente.	Elimine o instrumento.
O instrumento não é utilizável com a versão de software.	<p>Confirme se a versão do software requerida pelo instrumento não é superior à versão do software rotulada na parte inferior do gerador CoolSeal™.</p> <p>Para obter uma atualização do software, consulte a secção Atualização do software.</p>		

Capítulo 4. Pós-cirurgia


Este capítulo abrange os seguintes tópicos:

- Desligar o gerador CoolSeal™
- Preparar o gerador CoolSeal™ para a reutilização

Precaução

Leia todas as advertências, precauções e instruções fornecidas com este gerador antes da utilização. Este manual não inclui instruções específicas para instrumentos CoolSeal™. Consulte as advertências, precauções e instruções nas instruções de utilização do instrumento CoolSeal™.

Desligar o gerador CoolSeal™

1. Desligue o sistema, premindo o botão de alimentação em espera () na parte frontal da unidade. Observe o seguinte:
 - A luz do botão de alimentação em espera apaga-se.

Se necessário, o gerador pode ser desligado, retirando a ligação do cabo de alimentação da entrada de alimentação ou da parede.

Preparar o gerador CoolSeal™ para a reutilização

Passo 1 – Desligar os instrumentos CoolSeal™

1. Desligue o instrumento do painel frontal.
2. Elimine o instrumento de utilização única de acordo com os procedimentos da sua instituição.

Passo 2 – Limpar o gerador CoolSeal™

Advertência

Perigo de choque elétrico

Desligue sempre o gerador CoolSeal™ e retire a ficha da tomada elétrica antes de proceder à limpeza.

Aviso

Limpe o gerador CoolSeal™ com agentes não inflamáveis e desinfetantes sempre que possível. Não utilize compostos de limpeza ou desinfetante abrasivos, solventes ou outros materiais que possam riscar os painéis ou danificar o gerador, como hidrocarbonetos clorados ou outros solventes de plástico.

- Desligue o gerador no botão de alimentação e desligue o cabo de alimentação da tomada de parede.
- Limpe minuciosamente todas as superfícies do gerador e do cabo de alimentação com uma solução de limpeza ou desinfetante suaves e um pano húmido. Se utilizar lixívia à base de cloro, dilua-as antes da limpeza.
- Siga os procedimentos aprovados pela sua instituição ou utilize procedimentos de controlo de infeções validados.
- Não submerja, enxague abundantemente nem permita a entrada de fluidos na estrutura.

Capítulo 5. Resolução de problemas

Este capítulo abrange os seguintes tópicos:

- Orientações gerais para a resolução de problemas
- Corrigir avarias

Precaução

Leia todas as advertências, precauções e instruções fornecidas com este gerador antes da utilização. Este manual não inclui instruções específicas para instrumentos CoolSeal™. Consulte as advertências, precauções e instruções nas instruções de utilização do instrumento CoolSeal™.

Orientações gerais para a resolução de problemas

Se o gerador CoolSeal™ avariar, verifique se existem condições óbvias que possam ter causado o problema:

- Verifique se todos os cabos estão ligados e bem fixos.
- Verifique se o sistema apresenta sinais visíveis de danos físicos.
- Desligue o sistema e volte a ligá-lo.

Se a avaria persistir, o sistema poderá necessitar de assistência. Contacte o departamento de engenharia biomédica da sua instituição, a Bolder Surgical ou o distribuidor autorizado.

Se ocorrerem incidentes durante a utilização do sistema CoolSeal™, os utilizadores devem comunicar estes problemas diretamente à Bolder Surgical por telefone (+1 866.683.1743) ou por e-mail (complaints@boldersurg.com) e à sua autoridade competente local.

Corrigir avarias

Se não for rapidamente possível solucionar o problema, utilize a tabela abaixo para ajudar a identificar e a corrigir avarias específicas. Depois de corrigir a avaria, verifique se o sistema conclui o autoteste, conforme descrito no capítulo Configuração do sistema.

Resposta anormal do doente:

Condição:	Causas:	Para resolver:
Estimulação neuromuscular anormal (parar a cirurgia imediatamente)	Faísca metal-metal	Verifique todas as ligações ao gerador CoolSeal™.
	Correntes de fuga de 50 Hz-60 Hz anormais	Utilize um gerador CoolSeal™ de reserva. Contacte o seu departamento de engenharia biomédica ou um representante de assistência técnica da Bolder Surgical™ para obter assistência.

Avarias do gerador CoolSeal™:

Condição:	Causas:	Para resolver:
O gerador CoolSeal™ não responde quando ligado	Cabo de alimentação desligado ou tomada de parede com defeito	Verifique as ligações do cabo de alimentação (ao gerador CoolSeal™ e à tomada de parede). Ligue o cabo de alimentação a uma tomada funcional.
	Cabo de alimentação avariado	Substitua o cabo de alimentação.
	Os fusíveis estão queimados	Contacte o seu departamento de engenharia biomédica ou um representante de assistência técnica da Bolder Surgical™ para obter assistência.
	Avaria do componente interno	Utilize um gerador CoolSeal™ de reserva. Contacte o seu departamento de engenharia biomédica ou um representante de assistência técnica da Bolder Surgical™ para obter assistência.

O sistema está ligado, mas não concluiu com sucesso o autoteste ou parou de funcionar durante a utilização – Um sinal sonoro de impulso único e o botão de alimentação acende-se a vermelho	Unidade armazenada num local frio	Deixe a unidade aquecer até à temperatura ambiente.
	Avaria de software recuperável	Utilize um gerador CoolSeal™ de reserva. Contacte o seu departamento de engenharia biomédica ou um representante de assistência técnica da Bolder Surgical™ para obter assistência.
	Anomalia de componente interno ou avaria de software irre recuperável	Avaria do componente interno.
O sistema está ligado, com um único sinal sonoro e um visor do recetáculo do instrumento laranja intermitente .	Sistema iniciado com instrumento com falha ligado à tomada do instrumento	Desligue o instrumento. Desligue o gerador CoolSeal™.
	Instrumento incorreto ou expirado	Ligue o gerador CoolSeal™.
	Falha do instrumento	Ligue o instrumento à tomada elétrica. Substitua o instrumento, se continuar a avariar.
O sistema está ligado, o botão de alimentação está aceso a verde quando se liga o instrumento, ouve-se um único sinal sonoro e surge um ecrã vermelho na tomada do instrumento.	O reconhecimento do instrumento falhou devido a ligação intermitente	Remova a ficha do instrumento. Volte a inserir o instrumento com firmeza.
	Avaria de software recuperável	Desligue o sistema e, em seguida, volte a ligá-lo.
	Anomalia de componente interno ou avaria de software irre recuperável	Utilize um gerador CoolSeal™ de reserva. Contacte o seu departamento de engenharia biomédica ou um representante de assistência técnica da Bolder Surgical™ para obter assistência.
O gerador CoolSeal™ está ligado e o instrumento está ativado, mas o sistema não fornece saída, não emite sinais sonoros nem apresenta o ecrã de ativação	Existe uma condição de alerta	Consulte a secção Condições de alerta.
	O sistema não deteta o instrumento de selagem de vasos	Insira firmemente o conector na tomada do painel frontal do gerador CoolSeal™. Certifique-se de que o visor do recetáculo está aceso a verde para indicar que um instrumento CoolSeal™ foi devidamente encaixado e reconhecido.
	Anomalia de componente interno ou avaria de software irre recuperável	Contacte o seu departamento de engenharia biomédica ou um representante de assistência técnica da Bolder Surgical™ para obter assistência.
Selagem incompleta/reactivar – É emitido um sinal sonoro de três impulsos , o visor de ativação está laranja no painel frontal do gerador e a saída de RF está desativada	O ciclo de selagem foi superior a 5 segundos OU O interruptor manual foi libertado antes da emissão do sinal sonoro final	São necessários tempo e energia adicionais para concluir o ciclo de selagem. Reative o ciclo de selagem sem remover ou reposicionar o instrumento. Inspeccione visualmente a selagem antes de cortar.
	O metal ou outro objeto estranho é agarrado dentro das mandíbulas	Evite agarrar objetos, como agramos, cliques ou suturas encapsuladas nas mandíbulas do instrumento.
	O tecido agarrado dentro das mandíbulas é demasiado fino	Abra as mandíbulas e confirme que existe uma quantidade suficiente de tecido no interior das mandíbulas. Se necessário, aumente a quantidade de tecido e repita o procedimento.
	Fluidos acumulados em redor da ponta do instrumento	Minimize ou remova o excesso de fluidos. Limpe as pontas dos elétrodos e as mandíbulas com uma compressa de gaze húmida.
	O instrumento foi ativado ao ar	Solte o botão de ativação. Segure no tecido e ative o ciclo de selagem.
	O instrumento está ligado, mas a selagem do vaso não é ativada	O instrumento não está totalmente encaixado na respetiva tomada

Interações potenciais com outros dispositivos:

Condição:	Causas:	Para resolver:
Interferência contínua do monitor	Monitor com avaria	Consulte as Instruções de utilização do Monitor para aceder à Resolução de problemas.
	Ligações da estrutura à terra avariadas	Verifique e corrija as ligações à terra da estrutura para o monitor e para o gerador CoolSeal™. Verifique a existência de ligações à terra defeituosas noutros equipamentos elétricos na sala.
	O equipamento elétrico é ligado à terra a objetos diferentes em vez de a uma ligação à terra comum. O gerador CoolSeal™ pode responder às diferenças de tensão resultantes entre objetos com ligação à terra.	Ligue todo o equipamento elétrico à alimentação da linha no mesmo local. Contacte o seu departamento de engenharia biomédica ou um representante de assistência técnica da Bolder Surgical™ para obter assistência.
	Se a interferência continuar quando o gerador CoolSeal™ for ativado, o monitor responde a frequências irradiadas.	Peça ao seu departamento de engenharia biomédica para verificar a situação com o fabricante do monitor. Alguns fabricantes oferecem filtros de estrangulamento de RF para utilização nos elétrodos do monitor. Os filtros reduzem a interferência quando o gerador CoolSeal™ é ativado e minimizam o potencial de uma queimadura eletrocirúrgica no local do eletrodo do monitor.
Interferência de pacemakers	Ligações intermitentes ou cintilação metal com metal	Monitorize sempre os doentes com pacemakers durante a cirurgia e mantenha um desfibrilhador disponível.
Ativação do desfibrilhador cardíaco interno (DCI)	O DCI é ativado pelo gerador CoolSeal™	Pare o procedimento e contacte o fabricante do DCI para obter instruções.
Interferência com outros dispositivos apenas quando o gerador CoolSeal™ está ativado	Fios de terra eletricamente inconsistentes no bloco operatório	Verifique se todos os fios de terra são o mais curtos possível e são encaminhados para o mesmo metal ligado à terra.
	Se a interferência continuar quando o gerador CoolSeal™ for ativado, o dispositivo responde a frequências irradiadas.	Peça ao seu departamento de engenharia biomédica para consultar o fabricante do dispositivo.

Capítulo 6. Testes funcionais periódicos, manutenção e assistência

Este capítulo apresenta as seguintes informações:

- Responsabilidade do fabricante
- Testes funcionais periódicos e manutenção
- Devolução do gerador para assistência
- Atualizações de software

Precaução

Leia todas as advertências, precauções e instruções fornecidas com este gerador antes da utilização. Este manual não inclui instruções específicas para instrumentos CoolSeal™. Consulte as advertências, precauções e instruções nas instruções de utilização do instrumento CoolSeal™.

Responsabilidade do fabricante

A Bolder Surgical é responsável pela segurança, fiabilidade e desempenho do gerador CoolSeal™ apenas se todas as seguintes condições tiverem sido cumpridas:

- Neste manual, são seguidos os procedimentos de instalação e configuração.
- Pessoas autorizadas pela Bolder Surgical a realizar a montagem, operação, reajustes, modificações ou reparações.
- A instalação elétrica da divisão relevante cumpre os códigos locais e os requisitos regulamentares, tais como IEC e BSI.
- O equipamento é utilizado de acordo com as instruções de utilização da Bolder Surgical. Para obter informações sobre a garantia, consulte a secção Garantia neste manual.

Testes funcionais periódicos e manutenção

Quando devem ser realizados os testes funcionais periódicos?

A Bolder Surgical recomenda que seja realizado um teste funcional periódico do gerador CoolSeal™ pelo menos uma vez a cada dois anos. O teste funcional periódico só deve ser realizado por um técnico biomédico qualificado; existe a opção de devolver o gerador CoolSeal™ à Bolder Surgical ou ao seu distribuidor para testes funcionais periódicos. Consulte o Apêndice A para obter instruções detalhadas sobre o Teste funcional periódico.

Quando é que o cabo de alimentação deve ser substituído?

Substitua o cabo de alimentação se encontrar fios expostos, fissuras, extremidades desfiadas ou um conector danificado.

Quando é que os fusíveis devem ser substituídos?

O departamento de engenharia biomédica do hospital pode ocasionalmente precisar de substituir fusíveis. Os fusíveis devem ser substituídos quando um fusível tiver protegido reparadoramente o gerador CoolSeal™ ou conforme especificado pela engenharia biomédica hospitalar para manutenção preventiva. Se ocorrerem várias falhas de fusíveis num curto período de tempo, não continue a substituir os fusíveis e devolva o gerador CoolSeal™ para reparação.

Como é que os fusíveis podem ser substituídos?

1. Desligue o gerador no botão de alimentação e desligue o cabo de alimentação da tomada de parede.
2. Desligue o cabo de alimentação do sistema da entrada elétrica no painel traseiro.
3. Destranque o tabuleiro de fusíveis por baixo da entrada elétrica.
4. Remova ambos os fusíveis.
5. Obtenha fusíveis conforme rotulado abaixo da entrada elétrica no painel traseiro.
6. Insira ambos os fusíveis.
7. Insira e tranque o tabuleiro de fusíveis.

Assistência do produto

Advertência

Perigo de choque elétrico: Não retire a tampa do gerador CoolSeal™.

Não tente reparar o gerador CoolSeal™. Toda a assistência e reparação tem de ser realizada por pessoal autorizado da Bolder Surgical™.

Devolução do gerador CoolSeal™ para assistência

Antes de devolver o gerador CoolSeal™, contacte o seu representante de vendas da Bolder Surgical™ para obter assistência. Se lhe for indicado para enviar o gerador para a Bolder Surgical, faça o seguinte:

1. Contacte o Centro de Assistência ao Cliente da Bolder Surgical™ na sua área para obter um Número de Autorização de Devolução. Tenha as seguintes informações prontas quando ligar:
 - Nome do hospital/clínica/número do cliente
 - O seu número de telefone
 - Departamento/endereço, cidade, região e código postal
 - Número de modelo
 - Número de série
 - Descrição do problema
 - Tipo de serviço, atualização ou reparação a ser feita
2. Limpe o gerador CoolSeal™.
 - Consulte a secção Limpeza acima.
3. Envie o gerador CoolSeal™.
 - Coloque uma etiqueta no gerador que inclua o número de autorização de devolução e a informação (hospital, número de telefone, etc.) listada no passo 1.
 - Certifique-se de que o gerador está completamente seco antes de o embalar para envio. Embale-o na sua embalagem de envio original, se disponível.
 - Envie o gerador, com portes pré-pagos, para o Centro de Assistência da Bolder Surgical™.

Atualizações de software

A equipa da Bolder Surgical™ tem de realizar atualizações de software. Consulte *“Devolver o gerador CoolSeal™” para obter assistência* (acima).

Capítulo 7. Especificações técnicas

Todas as especificações são nominais e estão sujeitas a alterações sem aviso prévio.

Uma especificação referida como “Típica” está dentro de $\pm 20\%$ de um valor declarado à temperatura ambiente (25 °C/77 °F) e uma tensão nominal de entrada da linha.

Precaução

Leia todas as advertências, precauções e instruções fornecidas com este gerador antes da utilização. Este manual não inclui instruções específicas para instrumentos CoolSeal™. Consulte as advertências, precauções e instruções nas instruções de utilização do instrumento CoolSeal™.

Características de desempenho

Geral

Configuração de saída:	Saída isolada
Arrefecimento:	Convecção natural ambiental
Visor:	Lâmpadas indicadoras e interruptor de alimentação de espera
Portas do conector:	Deteção de conector iluminado por LED
Montagem:	Sistemas de viga do bloco operatório Qualquer superfície estável e plana, como uma mesa ou um topo de carrinho

Dimensões e peso

Largura:	30,5 cm (12 pol.)
Profundidade:	38,1 cm (15 pol.)
Altura:	10,9 cm (4,3 pol.)
Peso:	5,4 kg (12 lb)

Parâmetros operacionais

Intervalo de temperatura ambiente:	+10 °C a +35 °C
Humidade relativa:	30% a 75% (sem condensação)
Pressão atmosférica:	67 quilopascals a 111 quilopascals
Tempo de aquecimento:	Se transportado ou armazenado a temperaturas fora do intervalo de temperatura de funcionamento, aguarde uma hora para que o gerador CoolSeal™ atinja a temperatura de funcionamento antes de utilizar.

Transporte e armazenamento

Intervalo de temperatura ambiente:	-20 °C a +60 °C
Humidade relativa:	0% a 90% (sem condensação)
Pressão atmosférica:	46 quilopascals a 111 quilopascals

Memória interna

Não volátil:	RAM
Capacidade de armazenamento:	A memória pode armazenar informação para os últimos 2000 ciclos de selagem. Os dados não são específicos do doente e não estão acessíveis ao utilizador.

Sinal sonoro de ativação

Os níveis de áudio indicados abaixo referem-se a sinais sonoros de ativação de selagem a uma distância de um metro.

Volume (ajustável):	40 dBA a 80 dBA
Frequência	
Selagem CoolSeal™:	349,2 Hz
Duração:	Contínua enquanto o sistema está a fornecer energia RF ativamente

Sinais de alerta

Volume (ajustável):	65 dBA a 80 dBA
Frequência	
Erros do sistema e do instrumento:	Um impulso de sinal sonoro de 550 ms Alto = 2637 Hz, Baixo = 440 Hz 550 ms
Selagem concluída:	Três sinais sonoros sequenciais 349,2 Hz, 392 Hz e 440 Hz Duração de 75 ms, 150 ms e 300 ms
Reativar/selagem incompleta:	Três impulsos de sinal sonoro Alto = 2489 Hz, Baixo = 349,2 Hz Impulsos de 80 ms, pausas de 100 ms entre

Potência de entrada

Potência máxima à tensão de linha nominal: 110 W
Corrente elétrica (máxima) Inativo: 250 mA A selar: 1 A
Intervalo da frequência da linha de alimentação (nominal): 50 Hz a 60 Hz
Gama de tensão da linha de alimentação (nominal): 100 V-240 V
Fusíveis (2): Tipo T5AH 250 V ou equivalente, 5 mm x 20 mm 5 A, 250 V, ação lenta, elevada capacidade de corte
Potência de entrada: IEC 60320 C14

Especificação do cabo de alimentação

Esta unidade vem equipada de fábrica com um cabo de alimentação de 110 V CA de grau hospitalar com um conector de rede elétrica NEMA5-15. Ao substituir o cabo de alimentação CA para corresponder a outra configuração de conector de rede elétrica, a configuração do conector/cabo/tomada de substituição tem de cumprir ou exceder as seguintes especificações:

100 V CA-120 V CA

Cabo:	SJT 18/3, código de cor IEC, comprimento máximo de 3 m (10 pés)
Conector de rede elétrica:	Uso hospitalar, cumpre os requisitos de cada país
Mínimo:	10 A - 125 V CA
Tomada da unidade:	IEC 60320 C13, mínimo 10 A - 125 V CA

220 V CA-240 V CA

Cabo:	H05WVF3G1.0, comprimento máximo de 3 m (10 pés)
Conector de rede elétrica:	Uso hospitalar, cumpre os requisitos de cada país
Mínimo:	6 A - 250 V CA
Tomada da unidade:	IEC 60320 C13, mínimo 6 A - 250 V CA

Especificações técnicas

Frequência de entrada

O gerador CoolSeal™ funciona dentro das especificações em todas as frequências de entrada de linha entre 47 Hz e 63 Hz. O utilizador não tem de reconfigurar o gerador CoolSeal™ para diferentes frequências de linha.

Corrente de entrada

O gerador CoolSeal™ não utiliza mais do que 5 A em qualquer tensão de entrada de linha.

Alimentação de reserva

O gerador CoolSeal™ retém os dados estatísticos e de calibração quando desligado no interruptor de alimentação e da tomada elétrica. O gerador CoolSeal™ funciona de acordo com as especificações quando mudado para uma linha de alimentação fornecida pelos sistemas de cópia de segurança do hospital.

Conexão equipotencial

É fornecido um conector equipotencial na parte traseira do gerador CoolSeal™ para permitir a ligação de um condutor de equalização potencial, se necessário.

Ciclo de trabalho

Em definições de potência máxima e condições de carga nominal, o gerador CoolSeal™ é capaz de operar um ciclo de funcionamento de 25%, definido como fornecimento ativo de RF de 5 segundos e inatividade de 15 segundos.

Corrente de fuga de baixa frequência (50 Hz/60 Hz)

Em conformidade com a norma IEC 60601-1, Ed. 3.1

Limites de baixa frequência:

Fuga de terra:	5 mA em condições normais	10 mA em condição de falha única
Corrente de toque:	100 µA em condições normais	500 µA em condição de falha única
Fuga do doente: <i>(com base na peça aplicada do Tipo CF)</i>	10 µA em condições normais	50 µA em condições de falha única (corrente CC ou CA)
Fuga do doente com corrente elétrica na peça aplicada do tipo F: <i>(com base na peça aplicada do Tipo CF)</i>		50 µA

Normas e classificações IEC

O gerador CoolSeal™ cumpre todas as cláusulas pertinentes da norma IEC 60601-1 Ed. 3.1, IEC 60601-1-2 Ed. 4.0 e IEC 60601-2-2 Ed. 6.0.

Símbolos

	Consultar as instruções de utilização		Entrada de alimentação CA (alimentação)
	Advertência, eletricidade Para reduzir o risco de choque elétrico, não remova a tampa. Remeta a manutenção para pessoal técnico qualificado.		Saída de alimentação CA (RF)
	Número de série		Modo de espera, alimentação
	Mandatário na Comunidade Europeia		Limite de temperatura
	Número de catálogo, de encomenda ou de referência		Limite de humidade
	Dispositivo médico		Limitação da pressão atmosférica
	Fabricante do registo		Manter seco
	Data de fabrico		Classificado no que diz respeito a choque elétrico, incêndio e perigos mecânicos apenas em conformidade com a norma IEC 60601-1 e CAN/CSA C22.2 N.º 601.1.
	O gerador destina-se a uma peça aplicada de tipo CF		Cumprir os requisitos da FCC, parte 15.
	Equipotencialidade		Ajuste de volume para sinais sonoros de ativação, no sentido horário aumenta o volume
	Fusível		O equipamento não pode ser eliminado no lixo

Classificações

Equipamento de Classe I (IEC 60601-1)

As peças condutoras acessíveis não podem ficar sob tensão em caso de falha básica do isolamento devido à forma como são ligadas ao condutor de ligação à terra de proteção.

Compatibilidade eletromagnética (IEC 60601-1-2)

Este dispositivo está em conformidade com a parte 15 das Regras da FCC. A operação está sujeita às duas condições seguintes:

- (1) Este dispositivo não pode causar interferências prejudiciais; e
- (2) Este dispositivo tem de aceitar qualquer interferência recebida, incluindo interferências que possam causar um funcionamento indesejado.

Equipamento de tipo CF (IEC 60601-1)

Este gerador fornece um elevado grau de proteção contra choques elétricos, particularmente no que diz respeito a correntes de fuga permitidas. Tem uma saída isolada (flutuante) do tipo CF e pode ser utilizado para procedimentos que envolvam o coração.

Entrada/derrame de líquidos IP XX (IEC 60601-1 e IEC 60601-2-2)

O gerador CoolSeal™ é construído de modo que o derrame de líquido em utilização normal não molhe o isolamento elétrico nem outros componentes que, quando molhados, poderiam afetar adversamente a segurança do equipamento.

Transientes de tensão – Transferência de corrente elétrica da plataforma de energia (IEC60601-1 e IEC 60601-2-2)

O gerador CoolSeal™ continua a funcionar normalmente sem erros ou falhas do sistema quando a transferência é feita entre a linha CA e uma fonte de tensão da plataforma de energia de emergência. (IEC 60601-1-2)

Compatibilidade eletromagnética (IEC 60601-1-2 e IEC60601-2-2)

O gerador CoolSeal™ está em conformidade com as especificações das normas IEC 60601-1-2 e 60601-2-2 adequadas relativamente à compatibilidade eletromagnética.

Advertência

A utilização deste equipamento adjacente a ou empilhado com outro equipamento deve ser evitada, pois pode resultar num funcionamento inadequado. Se tal utilização for necessária, este e o outro equipamento devem ser observados para verificar se estão a funcionar normalmente.

O equipamento de comunicação por RF portátil (incluindo periféricos, tais como cabos de antena e antenas externas) não deve ser utilizado a menos de 30 cm (12 polegadas) de qualquer parte do gerador CoolSeal™, incluindo cabos, especificada pela Bolder Surgical. Caso contrário, poderá ocorrer degradação do desempenho deste equipamento.

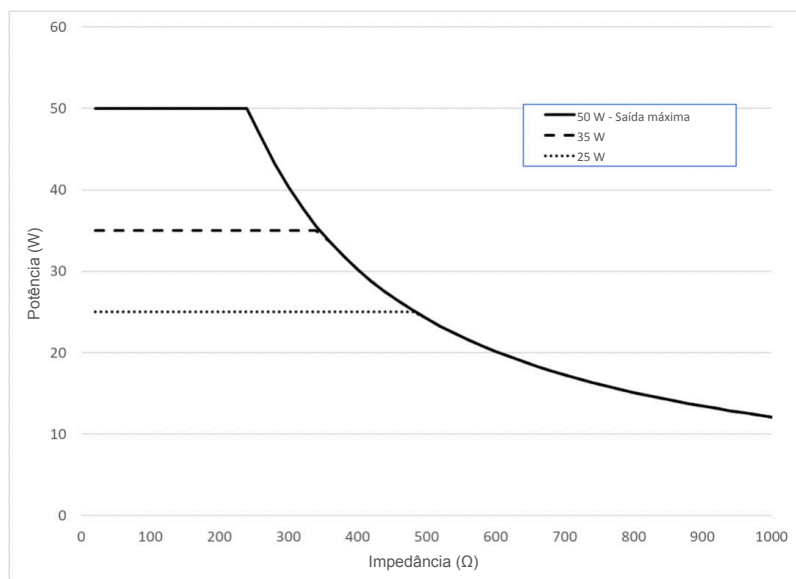
Características de saída

Saída máxima para o gerador CoolSeal™

As leituras da potência coincidem com a potência real em carga nominal até 20% ou 5 watts, o valor que for maior.

Tensão de pico do circuito aberto (máx.)	Carga nominal	Potência de saída nominal (máx.)	Fator de crista	Ciclo de trabalho da forma de onda
190 V	20 Ω	50 W	1,9	100%

Gráfico de potência de saída vs. impedância



Imunidade eletromagnética

Declaração do fabricante e orientações – Emissões eletromagnéticas

O gerador CoolSeal™ destina-se a ser utilizado no ambiente eletromagnético especificado abaixo. O cliente ou o utilizador do gerador CoolSeal™ deve garantir que o mesmo é utilizado num ambiente com essas características.

Emissões RF CISPR 11	Grupo 2	O gerador CoolSeal™ tem de emitir energia eletromagnética de modo a desempenhar a sua função prevista. Os equipamentos eletrónicos próximos podem ser afetados. O gerador CoolSeal™ é adequado para utilização em todos os estabelecimentos, exceto habitações e estabelecimentos diretamente ligados à rede elétrica pública de baixa tensão que fornece energia a edifícios de habitação.
Emissões conduzidas EN 55011:2009+A1:2010, CISPR 11:2009+A1:2010	Classe A	
Emissões radiadas EN 55011:2009+A1:2010, CISPR 11:2009+A1:2010	Classe A	
Emissões harmónicas IEC/EN 61000-3-2:2014	Dispositivo de Classe A	
Flutuações de tensão/tremulações IEC/EN 61000-3-3:2013	De acordo com a Cláusula 5.ª da Norma	

Segurança Básica de acordo com a norma IEC 60601-1 é o requisito de desempenho utilizado durante os testes de imunidade. O desempenho essencial não se aplica.

Aviso

As características de EMISSÕES deste equipamento tornam-no adequado para utilização em áreas industriais e hospitalares (CISPR 11 classe A). Se for utilizado num ambiente residencial (para o qual normalmente é necessária a CISPR 11 classe B), este equipamento pode não oferecer uma proteção adequada para serviços de comunicação por radiofrequência. O utilizador pode precisar de tomar medidas de mitigação, tais como mudar ou reorientar o equipamento.

Declaração do fabricante e orientações — Imunidade eletromagnética

O gerador CoolSeal™ destina-se a ser utilizado no ambiente eletromagnético especificado abaixo. O cliente ou o utilizador do gerador CoolSeal™ deve garantir que o mesmo é utilizado num ambiente com essas características.

Ensaio de imunidade	Nível de ensaio IEC 60601	± Nível de conformidade	Ambiente eletromagnético — Orientações
Descarga eletrostática IEC/EN 61000-4-2	Descarga por contacto ±8 kV Descarga em ar ±2 kV, 4 kV, 8 kV e 15 kV	Descarga por contacto ±8 kV Descarga em ar ±2 kV, 4 kV, 8 kV e 15 kV	O chão deve ser de madeira, betão ou mosaicos cerâmicos. Se os pavimentos estiverem cobertos com material sintético, a humidade relativa deve ser de, pelo menos, 30%.
Imunidade por radiação IEC 61000-4-3:2006 + A1:2008 +A2:2010	80 MHz - 6 GHz 3 V/m 80% a 1 kHz 28 V/m frequências pontuais 385 MHz – Modulação de impulsos de 2,7 GHz	80 MHz - 6 GHz 3 V/m 80% a 1 kHz 28 V/m frequências pontuais 385 MHz – Modulação de impulsos de 2,7 GHz	O equipamento de comunicações por RF portátil e móvel não deve ser utilizado a uma distância de qualquer parte do gerador CoolSeal™, incluindo cabos, inferior à distância de separação recomendada, calculada a partir da equação aplicável à frequência do transmissor.
Campo de proximidade de equipamento de comunicações sem fios por RF IEC 61000-4-3	Segundo a Tabela 9 da norma IEC 60601-1-2	Ver na página seguinte a tabela de intervalos de frequência e condições de teste para equipamento de comunicações sem fios por RF	Distância de separação recomendada $d = [2] \sqrt{P}$ em que "P" é a potência nominal máxima de saída do transmissor em watts (W), de acordo com o fabricante do transmissor, e "d" é a distância de separação recomendada em metros (m). As intensidades de campo de transmissores de RF fixos, conforme determinado por um estudo eletromagnético do local ^a , devem ser inferiores ao nível de conformidade em cada intervalo de frequência ^b .
Imunidade conduzida (Alimentação CA) (Linhas de E/S) IEC/EN 61000-4-6	0, 15 MHz-80 MHz 3 Vrms e 6 Vrms na banda ISM 1 kHz Alimentação CA	0, 15 MHz-80 MHz 3 Vrms e 6 Vrms na banda ISM 1 kHz Alimentação CA	As bandas ISM (industrial, científica e médica) entre 0,15 MHz e 80 MHz são de 6,765 MHz a 6,795 MHz; 13,553 MHz a 13,567 MHz; 26,957 MHz a 27,283 MHz e 40,66 MHz a 40,70 MHz.
Transientes elétricos rápidos (Alimentação CA) IEC/EN 61000-4-4	Corrente elétrica CA ±2 kV ±1 kV - linhas E/S 5/50 5 kHz e 100 kHz	Corrente elétrica CA ±2 kV ±1 kV - linhas E/S 5/50 5 kHz e 100 kHz	A qualidade da rede elétrica deve ser a de um ambiente comercial ou hospitalar típico.
Pico linha a linha (Alimentação CA) IEC/EN 61000-4-5	±1 kV Linha a linha Linha a terra	±1 kV Linha a linha Linha a terra	A qualidade da rede elétrica deve ser a de um ambiente comercial ou hospitalar típico.
Imunidade eletromagnética IEC/EN-61000-4-8	30 A/m 50 Hz/60 Hz	30 A/m 50 Hz/60 Hz	Os campos magnéticos da frequência de energia devem estar em níveis característicos de um local típico num ambiente comercial ou hospitalar típico.
Quedas e interrupções de tensão IEC/EN 61000-4-11	0% UT 0,5 ciclo 0% UT 1 ciclo 70% UT 25 ciclos 0% UT 5 s	0% UT 0,5 ciclo 0% UT 1 ciclo 70% UT 25 ciclos 0% UT 5 s	Se o utilizador do gerador CoolSeal™ necessitar de um funcionamento contínuo durante interrupções do fornecimento de energia, recomenda-se que o gerador CoolSeal seja alimentado a partir de uma fonte de alimentação ininterrupta ou de uma bateria.

NOTA Estas orientações podem não se aplicar em todas as situações. A propagação eletromagnética é afetada pela absorção e reflexão de estruturas, objetos e pessoas.

^aAs intensidades de campo de transmissores fixos, tais como estações base para radiotelefonos (telemóveis/telefones sem fios) e rádios móveis terrestres, rádio amador, difusão de rádio AM e FM e difusão de TV não podem ser previstas teoricamente com exatidão. Para avaliar o ambiente eletromagnético devido a transmissores de RF fixos, deve considerar-se a realização de um estudo eletromagnético do local. Se a intensidade de campo medida no local onde o gerador CoolSeal™ é utilizado exceder o nível de conformidade de RF aplicável acima, o gerador CoolSeal™ deve ser observado para verificar o seu funcionamento normal. Caso se observe um desempenho anormal, podem ser necessárias medidas adicionais, tais como a reorientação ou realocização do gerador CoolSeal™.

^bAcima do intervalo de frequência de 150 kHz a 80 MHz, as intensidades de campo devem ser inferiores a 3 V/m.

Declaração do fabricante e orientações — Imunidade eletromagnética

Gamas de frequências e condições de teste para equipamento de comunicações RF sem fios

Banda de frequência (MHz)	Frequência do teste (MHz)	Modulação ^a	Nível de conformidade (V/m)
380-390	380-390	Impulso – 18 Hz	27
430-470	450	Desvio de FM ± 5 kHz 1 kHz sinusal	28
704-787	710	Impulso – 217 Hz	9
	745		
	780		
800-960	810	Impulso – 18 Hz	28
	870		
	930		
1700-1990	1720	Impulso – 217 Hz	28
	1845		
	1970		
2400-2570	2450	Impulso – 217 Hz	28
5100-5800	5240	Impulso – 217 Hz	9
	5500		
	5785		

^aA modulação de impulsos é definida como uma entrada de onda quadrada com um ciclo de trabalho de 50% na frequência listada.

NOTA O equipamento de comunicação por RF portátil não deve ser utilizado a menos de 30 cm (12 polegadas) de qualquer parte do Gerador CoolSeal™, incluindo cabos, especificada pela Bolder Surgical. Caso contrário, poderá ocorrer a degradação do desempenho deste equipamento.

Distâncias de separação recomendadas entre equipamentos de comunicações por RF portáteis e móveis e o gerador CoolSeal™

O gerador CoolSeal™ destina-se a ser utilizado num ambiente eletromagnético em que as perturbações por RF radiada estejam controladas. O cliente ou o utilizador do gerador CoolSeal™ pode ajudar a prevenir interferências eletromagnéticas, mantendo uma distância mínima entre o equipamento de comunicações por RF portátil e móvel (transmissores) e o gerador CoolSeal™, conforme recomendado abaixo, de acordo com a potência de saída máxima do equipamento de comunicações.

Potência de saída máxima nominal do transmissor	Distância de separação do transmissor $d = [2]\sqrt{P}$
0,01	0,20
0,1	0,63
1	2,00
10	6,32
100	20,00

Para transmissores classificados com uma potência de saída máxima não listada acima, a distância de separação recomendada "d" em metros (m) pode ser estimada usando a equação aplicável à frequência do transmissor, em que "P" é a potência de saída máxima nominal do transmissor em watts (W) de acordo com o fabricante do transmissor.

NOTA Estas orientações podem não se aplicar em todas as situações. A propagação eletromagnética é afetada pela absorção e reflexão de estruturas, objetos e pessoas.

Apêndice A – Testes funcionais periódicos

O objetivo do teste é confirmar o funcionamento adequado do gerador CoolSeal™. Recomenda-se que este teste seja realizado pelo menos a cada dois anos para garantir que o funcionamento adequado é mantido ao longo do tempo. Consulte o rótulo com a data do teste final para obter a data do último teste funcional da Bolder Surgical™. Este teste pode ser utilizado com maior frequência, conforme exigido pelas políticas do hospital.

Advertência

Não abra a caixa do gerador CoolSeal™. Não existem peças passíveis de reparação na caixa. É necessário realizar testes adicionais para confirmar que o funcionamento seguro é mantido depois de aberta a caixa. Estes testes só estão disponíveis no Centro de Assistência da Bolder Surgical™. A inobservância pode resultar num risco acrescido de choque elétrico.

Aviso

Apenas indivíduos qualificados devem realizar o teste funcional CoolSeal™.

Importante

Um formulário opcional é fornecido abaixo para registrar os resultados do teste funcional periódico.

Advertência

Não tente utilizar o cabo de teste funcional para qualquer fim que não sejam os passos aqui descritos. Não utilizar clinicamente.

Definições:

UUT – Unidade em ensaio

ESA – Analisador de segurança elétrica

ESuA – Analisador eletrocirúrgico

Equipamento necessário:

UUT - Gerador CoolSeal™ – CSL-200-50

ESA - Analisador de segurança elétrica Fluke Modelo ESA612 (ou equivalente)

ESuA - Analisador eletrocirúrgico Fluke, Modelo QA-E SII, QA-ES III (ou equivalente)

Cabo de teste funcional – CSL-FTC

Cronómetro

Critérios de aprovação/reprovação:

- Siga os passos descritos abaixo para obter o resultado indicado, repita se este resultado não for obtido.
- Contacte a Bolder Surgical para solicitar assistência para resolver falhas ou anomalias.
- Não tente reparar o gerador CoolSeal™.
- A tentativa de reparar o gerador CoolSeal™ violará a garantia do produto.

Procedimento:**REGISTAR RESULTADOS:**

1. Pode registar os resultados dos seguintes testes numa cópia do registo em anexo. Após cada passo abaixo, registe o resultado na secção correspondente, conforme indicado por **<RECORD RESULTS> (GRAVAR RESULTADOS)**. Capte valores numéricos onde indicado e coloque um círculo em **A** para Aprovado ou **R** para Reprovado.

INSPEÇÃO:

1. Inspeccione a unidade para verificar se existem danos externos ou componentes em falta; não devem ser encontrados danos ou componentes em falta. **<RECORD RESULTS> (GRAVAR RESULTADOS)**
2. Inspeccione o cabo de alimentação para verificar se existem danos, não devendo ser detetados danos. **<RECORD RESULTS> (GRAVAR RESULTADOS)**

INDICADORES LUMINOSOS E INDICADORES SONOROS:

1. Ligue o UUT e prima o botão de alimentação. O botão de alimentação deverá acender-se a VERDE e deverá ouvir uma sequência de três (3) sinais sonoros. Uma iluminação VERMELHA do botão de alimentação indica uma falha de energia no autoteste. **<RECORD RESULTS> (GRAVAR RESULTADOS)**
2. Insira o cabo de teste funcional na tomada do instrumento, o visor da tomada do instrumento deve acender a branco. **<RECORD RESULTS> (GRAVAR RESULTADOS)**
3. Desligue a alimentação do UUT. Prima e mantenha premido o botão de ativação. Ligue a alimentação enquanto mantém premido o botão de ativação. O botão de alimentação fica VERDE e deve ouvir-se uma sequência de três (3) sinais sonoros, seguida de um segundo sinal sonoro e, em seguida, o visor do recetáculo do instrumento pisca a LARANJA. **<RECORD RESULTS> (GRAVAR RESULTADOS)**
4. Remova o cabo de teste funcional e desligue o UUT e depois volte a ligá-lo. O botão de alimentação deve estar VERDE. Mantendo premido o botão de ativação no cabo de teste funcional, introduza o cabo de teste funcional na tomada do instrumento. Ouve-se um único sinal sonoro seguido pelo indicador intermitente da tomada do instrumento a LARANJA. **<RECORD RESULTS> (GRAVAR RESULTADOS)**
5. Desligue o UUT e volte a ligá-lo para repor a partir do passo anterior. Coloque o interruptor do cabo de teste funcional na posição "Open" (Abrir) e mantenha premido o botão de ativação. O visor de ativação mostra momentaneamente a cor FÚCSIA e iniciar o sinal sonoro de selagem, seguido de um visor LARANJA de aproximadamente 1 segundo e o alerta de 3 sinais sonoros da reaprensão. Este sinal poderá assemelhar-se a 4 sinais sonoros. **<RECORD RESULTS> (GRAVAR RESULTADOS)**
6. Coloque o interruptor do cabo de teste funcional na posição "Short" (Curto-circuito). Prima e mantenha premido o botão de ativação e confirme que o ecrã de ativação está iluminado com a cor FÚCSIA, com intensidade variável de desligada a intensidade completa com o sinal sonoro de selagem. A isto segue-se um ecrã de ativação LARANJA e um alerta de 3 sinais sonoros. **<RECORD RESULTS> (GRAVAR RESULTADOS)**
7. Com o interruptor do cabo de teste funcional ainda na posição "Short" (curto-circuito), prepare-se para o tempo com o cronómetro desde o pressionar do botão de ativação até ao visor LARANJA. Prima o botão de ativação, para cronometrar a fase FÚCSIA (selagem). **<RECORD RESULTS> (GRAVAR RESULTADOS)**
8. Com o interruptor do cabo de teste funcional ainda na posição "Short" (TR), prepare-se para rodar o botão de volume durante a fase FÚCSIA (fase de selagem). Prima o botão de ativação, rode o botão de volume para cada extremo, confirmando uma alteração de volume entre os níveis Mínimo e Máximo. **<RECORD RESULTS> (GRAVAR RESULTADOS)**
9. Remova o cabo de este, desligue o UUT no botão de alimentação e da tomada elétrica.

TESTE DE CONTINUIDADE DE TERRA:

1. Ligue o ESA
2. Ligue o cabo de alimentação do UUT ao ESA
3. Ligue o cabo de teste à tomada V/ Ω /A do ESA para medir ohms (Ω).
4. Ligue o cabo de teste ao terminal de terra/nulo ESA.
5. Certifique-se de que o ESA está a medir a resistência (Ω)
6. Coloque o ESA a zero.
7. Ligue o eléctrodo de teste ao conector equipotencial UUT.
8. Registe o valor da resistência observado através do cabo de alimentação e UUT. **<RECORD RESULTS> (GRAVAR RESULTADOS)**
9. Desligue o UUT do ESA, e desligue a alimentação do ESA.

TESTE DE FUGAS À TERRA

1. Ligue o ESA.
2. Desligue o UUT do ESA, e desligue a alimentação do ESA.
3. Insira o cabo de teste funcional na tomada do instrumento.
4. Coloque o cabo de teste funcional no Normal, empilhe os conectores banana VERMELHO e PRETO
5. Insira os conectores empilhados na porta RA/R (resistência) do ESA
6. Realize a seguinte série de testes, utilizando a definição Micro Amp (μA) e a LIGAÇÃO À TERRA.
7. Normal/Fechado <RECORD RESULTS> (GRAVAR RESULTADOS)
8. Normal/Aberto <RECORD RESULTS> (GRAVAR RESULTADOS)
9. Invertido/Aberto <RECORD RESULTS> (GRAVAR RESULTADOS)
10. Invertido/Fechado <RECORD RESULTS> (GRAVAR RESULTADOS)
11. Remova o cabo de teste funcional e repita a série de ensaios acima.
12. Normal/Fechado <RECORD RESULTS> (GRAVAR RESULTADOS)
13. Normal/Aberto <RECORD RESULTS> (GRAVAR RESULTADOS)
14. Invertido/Aberto <RECORD RESULTS> (GRAVAR RESULTADOS)
15. Invertido/Fechado <RECORD RESULTS> (GRAVAR RESULTADOS)
16. Desligue o UUT do ESA, e desligue a alimentação do ESA.

TESTE DE IMPEDÂNCIA

1. Ativar o ESuA
2. Ligar o UUT
3. Coloque o interruptor do cabo de teste funcional na posição Normal
4. Ligue as fichas dos cabos de teste funcional VERMELHO e PRETO às tomadas ESuA VAR LOAD correspondentes.
5. Insira o cabo de teste funcional na UUT
6. Antes de continuar, confirme se o botão de alimentação está VERDE e se o ecrã da tomada do instrumento está BRANCO.

Importante

O gerador CoolSeal™ testa uma série de saídas de potência. A primeira ativação é numa saída de potência de 25 watts, a segunda ativação é numa saída de potência de 35 watts e a terceira ativação é numa saída de potência de 50 watts. A quarta ativação inicia novamente esta sequência. Para reiniciar a sequência a partir de um ponto de partida conhecido, basta desligar o cabo de teste funcional e reinseri-lo.

Importante

Ao utilizar o cabo de teste funcional, o gerador CoolSeal™ colocará a unidade num estado de avaria se a carga resistiva mudar significativamente. Isto é improvável durante o teste funcional, mas, se acontecer, basta desligar e voltar a ligar a unidade para a repor.

7. Defina a carga do ESuA para 25 ohms.
8. Inicie o teste no ESuA.
9. Prima e mantenha premido o botão de ativação.
10. A 25 ohms, observe a leitura de potência máxima a 25 watts. <RECORD RESULTS> (GRAVAR RESULTADOS)
11. Prima e mantenha premido o botão de ativação.
12. A 25 ohms, observe a leitura de potência máxima a 35 watts. <RECORD RESULTS> (GRAVAR RESULTADOS)

-
13. Prima e mantenha premido o botão de ativação.
 14. A 25 ohms, observe a leitura de potência máxima a 50 watts. **<RECORD RESULTS> (GRAVAR RESULTADOS)**
 15. Pare o teste no ESuA.
 16. Defina a carga do ESuA para 50 ohms
 17. Inicie o teste no ESuA.
 18. Prima e mantenha premido o botão de ativação.
 19. A 50 ohms, observe a leitura máxima de potência a 25 watts. **<RECORD RESULTS> (GRAVAR RESULTADOS)**
 20. Prima e mantenha premido o botão de ativação.
 21. A 50 ohms, observe a leitura máxima de potência a 35 watts. **<RECORD RESULTS> (GRAVAR RESULTADOS)**
 22. Prima e mantenha premido o botão de ativação.
 23. A 50 ohms, observe a leitura máxima de potência a 50 watts. **<RECORD RESULTS> (GRAVAR RESULTADOS)**
 24. Pare o teste no ESuA.
 25. Defina a carga do ESuA para 225 ohms
 26. Inicie o teste no ESuA.
 27. Prima e mantenha premido o botão de ativação.
 28. A 225 ohms, observe a leitura máxima de potência a 25 watts. **<RECORD RESULTS> (GRAVAR RESULTADOS)**
 29. Prima e mantenha premido o botão de ativação.
 30. A 225 ohms, observe a leitura máxima de potência a 35 watts. **<RECORD RESULTS> (GRAVAR RESULTADOS)**
 31. Prima e mantenha premido o botão de ativação.
 32. A 225 ohms, observe a leitura máxima de potência a 50 watts. **<RECORD RESULTS> (GRAVAR RESULTADOS)**
 33. Pare o teste no ESuA.
 34. Desligue tudo e desligue o UUT do equipamento de teste.

Formulário de resumo dos testes funcionais periódicos

Formulário de resumo do teste funcional periódico Página 1/2

NS do gerador: _____

Passo	TESTE	REQUISITO	Valores de registo	Assinale Aprovado/Reprovado
Inspeção				
1	Inspeção exterior da unidade	Sem danos		A / R
2	Cabo de alimentação	Sem danos		A / R
Indicadores luminosos e indicadores sonoros				
1	Arranque normal	Botão de alimentação VERDE e 3 sinais sonoros		A / R
2	Inserção normal do instrumento	Visor da tomada branco		A / R
3	Botão preso após ligação	1) Botão de alimentação VERDE e 3 sinais sonoros 2) 1 sinal sonoro e, em seguida, tomada AMARELA intermitente		A / R
4	Botão preso após ligação	1 sinal sonoro e, em seguida, tomada AMARELA intermitente		A / R
5	Teste de circuito aberto	1) Ecrã FÚCSIA breve com sinal sonoro 2) Ecrã LARANJA com alerta de 3 sinais sonoros		A / R
6	Teste de curto-circuito	1) Ecrã FÚCSIA durante 4 segundos com sinal sonoro 2) Ecrã LARANJA com alerta de 3 sinais sonoros		A / R
7	Temporização da selagem	Aprox. 4 segundos de ecrã FÚCSIA variável	_____ s	A / R
8	Teste de volume	O volume muda entre Mín. e Máx. níveis		A / R

Nome do técnico de teste

Assinatura

Data

Formulário de resumo do teste funcional periódico Página 2/2

NS do gerador: _____

Passo	TESTE	REQUISITO	Valores de registo	Assinale Aprovado/Reprovado
Ensaio de continuidade de terra				
8	Valor de continuidade de terra	< 0,200 ohms	____ ohms	A / R
Ensaio de fuga de terra				
7	Normal/fechado com cabo	< 0,500 μ A	____ μ A	A / R
8	Normal/aberto com cabo		____ μ A	A / R
9	Invertido/aberto com cabo		____ μ A	A / R
10	Invertido/fechado com cabo		____ μ A	A / R
12	Normal/fechado sem cabo		____ μ A	A / R
13	Normal/aberto sem cabo		____ μ A	A / R
14	Invertido/aberto sem cabo		____ μ A	A / R
15	Invertido/fechado sem cabo		____ μ A	A / R
Impedância				
10	Impedância 25 Ω /Potência 25 W	20 W – 30 W	____ W	A / R
12	Impedância 25 Ω /Potência 35 W	28 W – 42 W	____ W	A / R
14	Impedância 50 Ω /Potência 50 W	40 W – 60 W	____ W	A / R
19	Impedância 50 Ω /Potência 25 W	20 W – 30 W	____ W	A / R
21	Impedância 50 Ω /Potência 35 W	28 W – 42 W	____ W	A / R
23	Impedância 50 Ω /Potência 50 W	40 W – 60 W	____ W	A / R
28	Impedância 225 Ω /Potência 25 W	20 W – 30 W	____ W	A / R
30	Impedância 225 Ω /Potência 35 W	28 W – 42 W	____ W	A / R
32	Impedância 225 Ω /Potência 50 W	40 W – 60 W	____ W	A / R

Nome do técnico de teste _____

Assinatura _____

Data _____

Garantia

A Bolder Surgical garante que cada produto fabricado por si está isento de defeitos de material e mão-de-obra em condições normais de utilização e assistência durante o(s) período(s) de tempo indicado(s) abaixo. A única obrigação da Bolder Surgical e o recurso exclusivo do cliente em caso de violação desta garantia estão limitados à reparação ou à substituição, por opção exclusiva da Bolder Surgical, de qualquer produto, ou parte do mesmo, que tenha sido devolvido a si ou ao seu Distribuidor dentro do período de tempo aplicável apresentado abaixo após a entrega do produto ao comprador original, e cuja inspeção divulgue, a contento da Bolder Surgical, que o produto apresenta defeito. Esta garantia não se aplica a qualquer produto, ou parte do mesmo, que tenha sido reparado ou alterado por alguém que não a Bolder Surgical ou os seus mandatários, ou que tenha sido sujeito a utilização indevida, negligência ou acidente. Os períodos de garantia para os produtos da Bolder Surgical são os seguintes:

Tipo de produto	Período de garantia (tempo após envio pela Bolder Surgical)
Gerador CoolSeal™	1 ano a partir da data de envio

EXCETO NO QUE DIZ RESPEITO ÀS GARANTIAS LIMITADAS SUPRAMENCIONADAS, A BOLDER SURGICAL, NA MEDIDA DO PERMITIDO PELA LEI APLICÁVEL, RENUNCIA EXPRESSAMENTE A TODAS AS OUTRAS GARANTIAS, EXPRESSAS, IMPLÍCITAS OU LEGAIS, INCLUINDO, MAS NÃO SE LIMITANDO ÀS GARANTIAS IMPLÍCITAS DE COMERCIALIZAÇÃO E NÃO INFRAÇÃO.

NÃO OBSTANTE QUALQUER OUTRA DISPOSIÇÃO AQUI CONTIDA OU EM QUALQUER OUTRO DOCUMENTO OU COMUNICAÇÃO EM CONTRÁRIO, EM CASO ALGUM SERÁ A BOLDER SURGICAL RESPONSÁVEL PELA PERDA DE LUCROS OU RECEITAS, PERDA DE PRODUTOS, PERDA DE UTILIZAÇÃO DE PRODUTOS, INTERRUPÇÃO DE NEGÓCIOS OU POR QUAISQUER DANOS ESPECIAIS, CONSEQUENTES, INCIDENTAIS, INDIRETOS, PUNITIVOS OU EXEMPLARES. A RESPONSABILIDADE TOTAL DA BOLDER SURGICAL POR TODAS AS RECLAMAÇÕES DECORRENTES OU RELACIONADAS COM ESTE CONTRATO E QUALQUER PRODUTO LIMITA-SE A DANOS GERAIS EM DINHEIRO NUM MONTANTE QUE NÃO EXCEDA O PREÇO DE COMPRA TOTAL DO PRODUTO QUE DEU ORIGEM À RECLAMAÇÃO. Estas limitações e exclusões aplicam-se independentemente de uma reclamação se basear em contrato, garantia, indemnização, responsabilidade extracontratual por ato ilícito (incluindo negligência), responsabilidade objetiva ou outra. A Bolder Surgical não assume nem autoriza qualquer outra parte a assumir em seu nome qualquer outra responsabilidade relacionada com a venda ou utilização de qualquer produto da Bolder Surgical.

Esta garantia e os direitos e obrigações ao abrigo da mesma serão interpretados e regidos pelas leis do Estado do Colorado, EUA. Qualquer processo ou ação judicial decorrente ou relacionado com esta garantia será trazido exclusivamente para os tribunais estaduais ou federais localizados em Boulder ou Denver, Colorado, EUA, e qualquer direito de oposição ao foro desses tribunais será por este meio renunciado pelo cliente. A Bolder Surgical, os seus revendedores e representantes reservam-se o direito de alterar, modificar ou redesenhar os seus produtos sem qualquer obrigação de modificar ou substituir quaisquer produtos anteriormente construídos e/ou vendidos pelos mesmos.

Innehållsförteckning

Förord	460
Utrustning som beskrivs i denna handbok.....	460
Patentinformation:.....	460
Varumärkesbekräftelser	460
Tillverkad av:.....	460
För information ring.....	460
Konventioner som används i denna guide.....	460
Kapitel 1. Översikt och allmänna funktioner	461
Inledning	461
Indikation för användning	461
Kontraindikationer för användning.....	461
Frontpanel	462
Bakre panel.....	462
Vy underifrån	463
Lista över tillbehör	463
Kompatibla kärlförslutningsinstrument	463
Kapitel 2. Säkerhet för patienter och operationssalar	464
Varningar och försiktighetsåtgärder	464
Översikt.....	464
Säkerhet vid inställning av generatoren	464
Elektromagnetisk kompatibilitet	465
Brandfara under orofaryngeal kirurgi	465
Pacemakers och implanterbara kardioverter-defibrillatorer	465
Ansluta ett CoolSeal™-instrument	466
Rengöring av CoolSeal™-generatoren	466
Serva CoolSeal™-generatoren	466
Kapitel 3. Installation och användning av CoolSeal™-generatoren	467
Packa upp CoolSeal™-generatoren	467
Inspektera CoolSeal™-generatoren.....	467
Säkerhet vid konfiguration	467
Konfigurera CoolSeal™-generatoren	468
Justera volymen	469
Ansluta ett CoolSeal™-instrument	469

Ansluta ett CoolSeal™-instrument till CoolSeal™-generatoren	469
Aktivera ett CoolSeal™-instrument	469
Beskrivning av varningstillstånd	470
Kapitel 4. Efter operation.....	473
Stänga av CoolSeal™-generatoren	473
Förbereda CoolSeal™-generatoren för återanvändning.....	473
Kapitel 5. Felsökning	474
Allmänna riktlinjer för felsökning.....	474
Åtgärda funktionsfel	474
Onormalt patientsvar.....	474
CoolSeal™-generator – funktionsfel.....	475
Potentiella interaktioner med andra produkter	476
Kapitel 6. Periodisk funktionstestning, underhåll och service	477
Tillverkarens ansvar	477
Periodisk funktionstestning och underhåll	477
När ska periodisk funktionstestning utföras?	477
När måste nätsladden bytas ut?.....	477
När ska säkringarna bytas ut?	477
Hur kan säkringarna bytas ut?	477
Produktservice	478
Returnera CoolSeal™-generatoren för service.....	478
Programvaruuppdateringar	478
Kapitel 7. Tekniska specifikationer	479
Prestandaegenskaper.....	479
Allmänt	479
Mått och vikt	479
Driftsparametrar.....	479
Transport och förvaring.....	479
Internminne.....	479
Aktiveringston.....	480
Larmsignaler.....	480
Ineffekt.....	480
Nätsladdspecifikation	480

Tekniska specifikationer	481
Ingångsfrekvens.....	481
Ineffekt.....	481
Reservström.....	481
Ekvipotentialanslutning.....	481
Driftcykel.....	481
Läckström med låg frekvens (50/60 Hz).....	481
Standarder och IEC-klassificeringar.....	481
Symboler	482
Klassificeringar	483
Utrustning av klass I (IEC 60601-1).....	483
Elektromagnetisk kompatibilitet (IEC 60601-1-2).....	483
Utrustning av typ CF (IEC 60601-1).....	483
IP XX vätskeintrång/spill (IEC 60601-1 och IEC 60601-2-2).....	483
Spänningstransienter – nätöverföring till energiplattform (IEC60601-1 och IEC 60601-2-2)	483
Elektromagnetisk kompatibilitet (IEC 60601-1-2 och IEC60601-2-2)	483
Uteffektegenskaper.....	483
Maximal uteffekt för CoolSeal™-generatoren.....	483
Elektromagnetisk immunitet	484
Bilaga A – Periodiskt funktionstest.....	488
Definitioner.....	488
Utrustning som krävs:.....	488
Kriterier för godkännande/underkännande:.....	488
Procedur:.....	489
Formulär för sammanfattning av periodiskt funktionstest.....	492
Garanti.....	494

Förord

Denna handbok och den utrustning som beskrivs häri är endast avsedda för användning av kvalificerad medicinsk personal, som är utbildad i den specifika teknik och det kirurgiska ingrepp som ska utföras. Den är endast avsedd som vägledning för användning av CoolSeal™-generatoren.

Utrustning som beskrivs i denna handbok

CoolSeal™-generatoren – CSL-200-50

Patentinformation

<https://BolderSurgical.com/patents/>

Varumärkesbekräftelser

CoolSeal™ generator

Tillverkad av:



Bolder Surgical
331 S. 104th Street, Suite 200
Louisville, CO 80027
Tillverkad i USA
Tel: +1 866 683 1743
www.BolderSurgical.com

Auktoriserad representant:



Emergo Europe B.V.
Prinsessegracht 20
2514 AP The Hague
Nederländerna

För information ring

+1 866 683 1743

Konventioner som används i denna guide

Varning

Anger en möjlig farlig situation som, om den inte undviks, skulle kunna leda till dödsfall eller allvarliga personskador

Försiktighet

Anger en möjlig farlig situation som, om den inte undviks, kan leda till lindriga eller måttliga personskador

Obs!

Anger en fara som kan leda till produktskada.

Viktigt

Anger ett driftstips eller underhållsförslag.

Kapitel 1. Översikt och allmänna funktioner

Detta avsnitt innehåller följande information:

- Inledning
- Indikation för användning
- Kontraindikationer för användning
- Frontpanel
- Bakre panel
- Vy underifrån
- Lista över tillbehör
- Kompatibla kärlförslutningsinstrument

Försiktighet

Läs alla varningar, försiktighetsåtgärder och anvisningar som medföljer denna generator före användning. Specifika instruktioner för CoolSeal™-instrument ingår inte i denna handbok. Se bruksanvisningen till CoolSeal™-instrumentet för varningar, försiktighetsåtgärder och bruksanvisning.

Enligt federal lagstiftning i USA får denna produkt endast säljas av eller på ordination av läkare.

Inledning

CoolSeal™-generators tillhandahåller radiofrekvensenergi (RF) för kärlförseglingsapplikationer.

CoolSeal™-generators detekterar automatiskt kodade instrument och konfigurerar CoolSeal™-generators därefter. Säkerhets- och diagnosfunktioner inkluderar automatiska felsäkra funktioner.

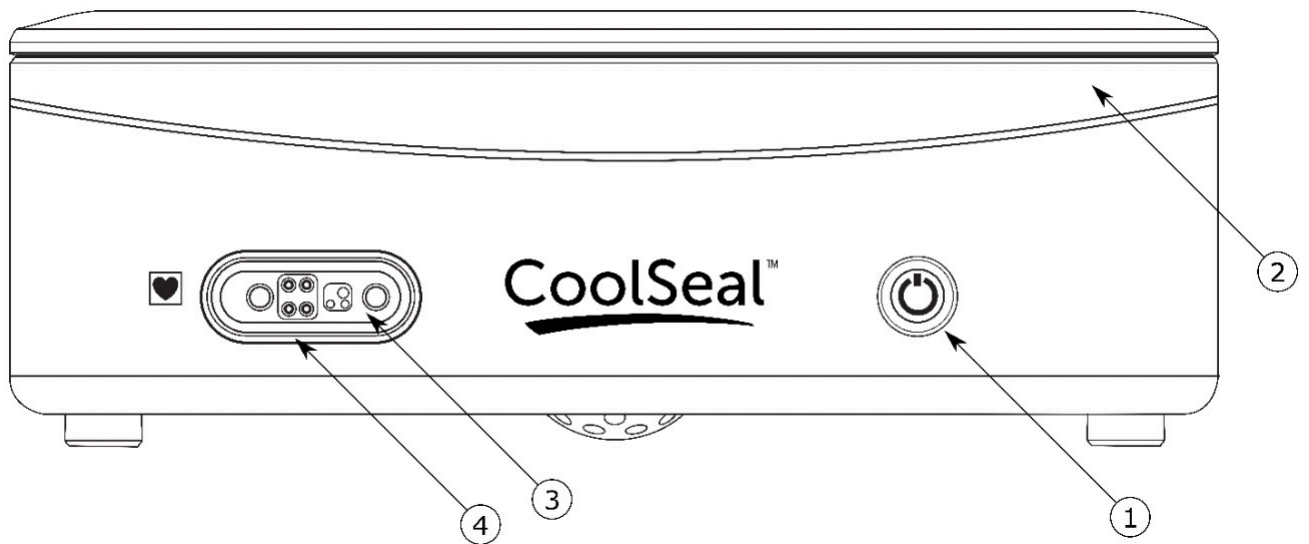
Indikation för användning

CoolSeal™-generators är avsedd att tillhandahålla radiofrekvensenergi (RF) till kompatibla CoolSeal™-instrument för kärlförseglingsapplikationer. Den specifika tillämpningen beror på den kompatibla kirurgiska produkt som är ansluten till generators. Denna generator är endast avsedd att användas med kirurgiska produkter som är kompatibla med CoolSeal™-tekniken.

Kontraindikationer för användning

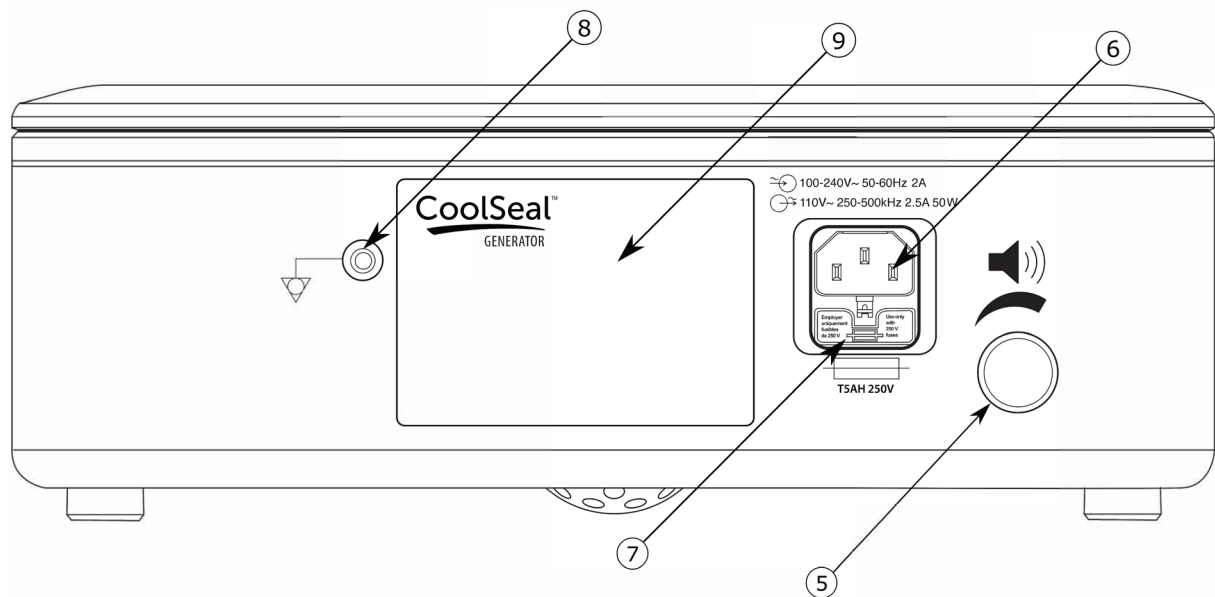
Inga kända specifikt för CoolSeal™-generators.

Frontpanel



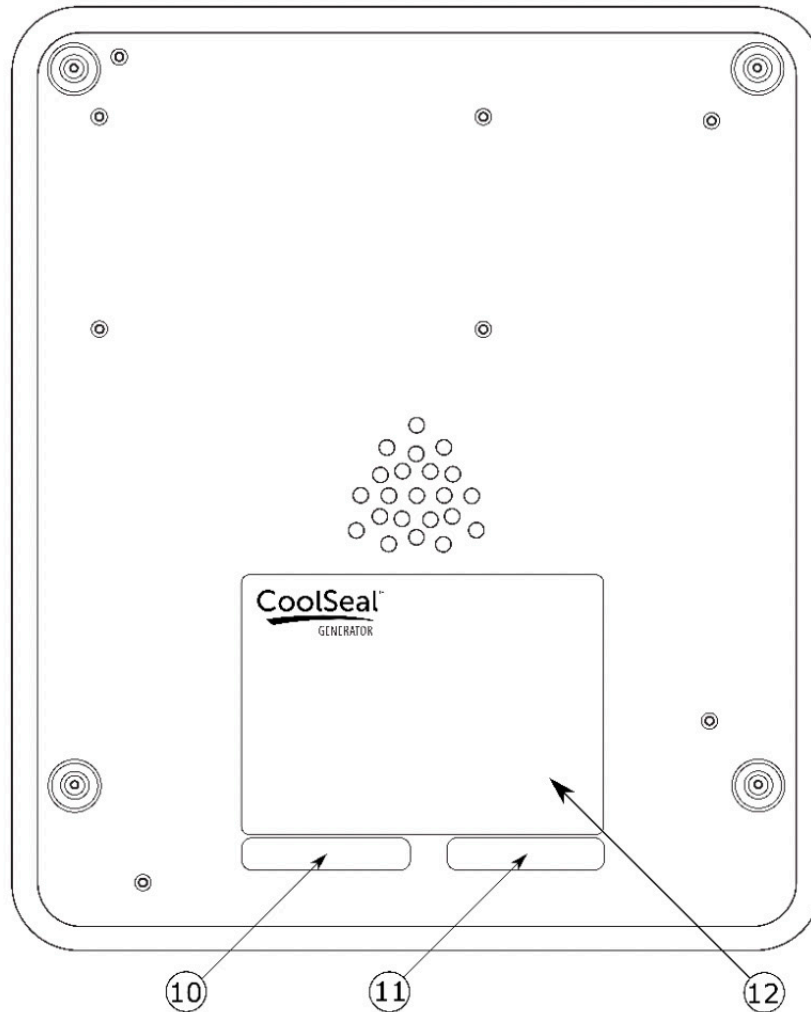
- (1) Tänd strömbrytare
- (2) Aktiveringsdisplay
- (3) CoolSeal™ instrumentuttag
- (4) Instrumentuttagsdisplay

Bakre panel



- (5) Volymregleringskontroll
- (6) Ingång för nätsladd
- (7) Säkringsfack
- (8) Ekvipotentialanslutning
- (9) Etikett med säkerhetsvarningar och försiktighetsåtgärder

Vy underifrån



- (10) Etikett med slutligt testdatum
- (11) Etikett med programvaruversion
- (12) Etikett med tillverkningsinformation

Lista över tillbehör

Nätsladd - specifik för USA
CSL-FTC funktionstestkabel (ingår ej)

Kompatibla kärlförslutningsinstrument

Kompatibla CoolSeal™-instrument har kopplingar som matchar följande illustration.
Se bruksanvisningen till CoolSeal™-instrumentet för kompatibilitet med CoolSeal™-tekniken.



Kapitel 2. Säkerhet för patienter och operationssalar

Säker och effektiv användning av elektrokirurgi beror till stor del på faktorer som endast kontrolleras av användaren. Ingenting kan ersätta ett lämpligt utbildat och vaksamt kirurgiskt arbetslag. Det är viktigt att man läser, förstår och följer bruksanvisningen som medföljer denna eller annan elektrokirurgisk utrustning. Elektrokirurgi har använts på ett säkert sätt i ett flertal ingrepp. Innan ett kirurgiskt ingrepp påbörjas ska kirurgen utbildas i den speciella teknik och det kirurgiska ingrepp som ska utföras, vara förtrogen med den medicinska litteraturen om ingreppet och eventuella komplikationer, och vara förtrogen med riskerna jämfört med fördelarna med att använda elektrokirurgi under ingreppet.

För att främja säker användning av CoolSeal™-generatoren innehåller detta avsnitt varningar och försiktighetsåtgärder som förekommer i denna användarhandbok. Det är också viktigt att du läser, förstår och följer anvisningarna i bruksanvisningen för CoolSeal™-instrumentet.

Varningar och försiktighetsåtgärder

Översikt

Försiktighet
Läs alla varningar, försiktighetsåtgärder och anvisningar som medföljer denna generator före användning. Specifika instruktioner för CoolSeal™-instrument ingår inte i denna handbok. Se bruksanvisningen till CoolSeal™-instrumentet för varningar, försiktighetsåtgärder och bruksanvisning.
Enligt federal lagstiftning i USA får denna produkt endast säljas av eller på ordination av läkare.

Säkerhet vid inställning av generatoren

Varning
Risk för elektrisk stöt: Anslut systemets nätsladd till ett korrekt jordat eluttag. Använd inte nätadapterar.
Brandrisk: Använd inte förlängningssladdar eller grenuttag.
Patientsäkerhet: Använd endast CoolSeal™-generatoren om självtestet vid start har slutförts enligt beskrivningen i denna handbok, annars kan felaktiga uteffekter uppstå.
Denna utrustning är endast avsedd att användas av utbildade, legitimerade läkare. Användning av denna utrustning utan sådan utbildning kan leda till allvarlig patientskada.
CoolSeal™-generatoren är endast kompatibel med CoolSeal™-instrument. Inga andra bipolära instrument kan användas.
Vira inte instrumentets sladdar runt metallföremål. Detta kan skapa strömmar som kan ge upphov till stötar, brand eller skador på patienten eller operationspersonalen.
Risk för elektrisk stöt: Anslut inte våta instrumentanslutningar till CoolSeal™-generatoren. Kontrollera att alla instrument och adapterar är korrekt anslutna.
Inspektera utrustningens kabel avseende brott, sprickor, hack och andra skador före varje användning. Om de är skadade får de inte användas. Skadade utrustningskablar kan det leda till att patienten eller operationspersonalen utsätts för skador eller elektriska stötar.

Försiktighet

Ställ in systemets volymkontroll på en nivå som säkerställer att aktiveringstoner hörs.

Sänk inte aktiveringssignalen till en ohörbar nivå. Aktiveringstonen varnar operationspersonalen när CoolSeal™-generatoren levererar RF-energi.

Undersök alla instrument och anslutningar till systemet före användning. Säkerställ att instrumenten fungerar såsom avsett. Felaktig anslutning kan leda till ljusbågar, gnistor, instrumentfel eller oavsiktliga kirurgiska effekter.

En icke-fungerande CoolSeal™-generator kan orsaka avbrott i operationen. Ett backupsystem ska vara tillgängligt för användning.

Användning av andra apparaters kopplingar, t.ex. elsladdar, än de som specificeras, kan leda till ökade emissioner eller minskad immunitet hos utrustningen.

Lämna så mycket avstånd som möjligt mellan CoolSeal™-generatoren och annan elektronisk utrustning såsom skärmar. Kors eller bunta inte samman sladdar för elektroniska produkter. Denna generator kan orsaka störningar på annan elektronisk utrustning. Om störningar uppstår ska utrustningen flyttas.

Studier har visat att rök, som genereras under elektrokirurgiska ingrepp, kan vara potentiellt skadligt för patienter och operationspersonalen. Dessa studier rekommenderar adekvat ventilation av röken med hjälp av en kirurgisk rökevakueringssystem eller med andra medel.¹

1. U.S. Department of Health and Human Services. National Institute for Occupational Safety and Health (NIOSH). Control of Smoke from Laser/Electric Surgical Procedures. HAZARD CONTROLS, Publication No. 96-128, September 1996.

Elektromagnetisk kompatibilitet

Varning

Användning av denna utrustning bredvid eller staplad med annan utrustning ska undvikas eftersom det kan leda till att den fungerar dåligt. Om sådan användning är nödvändig ska denna utrustning och den andra utrustningen observeras för att säkerställa att de fungerar normalt.

Bärbar RF-kommunikationsutrustning ska inte användas närmare än 30 cm (12 tum) från någon del av CoolSeal™-generatoren, inklusive kablar, som specificerats av Bolder Surgical. Utrustningens prestanda kan annars försämrats.

Brandfara under orofaryngeal kirurgi

Varning

Kontrollera att endotrakealtuberna är fria från läckor och att kuffen sluter tätt. så att syrgasläckage förhindras.

Pacemakers och implanterbara kardioverter-defibrillatorer

Varning

ANVÄND INTE på patienter som har elektroniska implantat, såsom pacemakers, utan att först ha rådfrågat en kvalificerad specialist (t.ex. kardiolog). En möjlig fara föreligger eftersom störningar med det elektroniska implantatets funktion kan förekomma, eller så kan implantatet skadas.

Ansluta ett CoolSeal™-instrument

Varning

Risk för elektrisk stöt

- Anslut inte våta instrument till CoolSeal™-generatoren.
- Se till att alla instrument är korrekt anslutna och att ingen metall exponeras vid någon anslutningspunkt

Placera instrumentet korrekt i uttaget. Felaktig anslutning kan leda till oavsiktlig aktivering av instrumentet eller andra potentiellt farliga förhållanden. Följ instruktionerna som medföljer CoolSeal™ kärlförseglingsinstrument.

Instrumentuttaget på detta system är utformat för att endast motta ett instrument åt gången. Försök inte att ansluta fler än ett instrument i taget i samma kontakt. Om detta utförs orsakas samtidig aktivering av instrumenten.

Försiktighet

Inspektera instrument och kablar avseende brott, sprickor, hack och andra skador före varje användning. Om de är skadade får de inte användas. Skadade instrument eller sladdar kan det leda till att patienten eller operationspersonalen utsätts för skador eller elektriska stötar.

Rengöring av CoolSeal™-generatoren

Varning

Risk för elektrisk stöt

Stäng alltid av och koppla ur CoolSeal™-generatoren före rengöring.

Serva CoolSeal™-generatoren

Varning

Risk för elektrisk stöt

Ta inte bort locket på CoolSeal™-generatoren.

Försök inte att utföra service på CoolSeal™-generatoren. All service och reparation måste utföras av en Bolder Surgical™-tekniker.

Försiktighet

CoolSeal™-generatoren får inte kasseras tillsammans med annat avfall när den är uttjänt. Återvinn avfallsutrustning genom att inhämta instruktioner från Bolder Surgical (ring +1 866 683 1743) eller kontakta din lokala försäljningsrepresentant för att diskutera lokala lösningar och processer för avfallshantering. CoolSeal™-generatoren utgör kasseringsrisker liknande konsumentelektronik såsom datorer. Det finns inga radioaktiva ämnen, batterier eller farliga vätskor som kan läcka i CoolSeal™-generatoren.

Kapitel 3. Installation och användning av CoolSeal™-generatoren

Detta kapitel handlar om följande ämnen:

- Packa upp CoolSeal™-generatoren
- Inspektera CoolSeal™-generatoren
- Säkerhet vid konfiguration
- Konfigurera CoolSeal™-generatoren
- Justera volymen på aktiveringstonerna
- Ansluta ett CoolSeal™-instrument
- Aktivera CoolSeal™-instrumentet
- Beskrivning av varningstillstånd

Försiktighet

Läs alla varningar, försiktighetsåtgärder och anvisningar som medföljer denna generator före användning. Specifika instruktioner för CoolSeal™-instrument ingår inte i denna handbok. Se bruksanvisningen till CoolSeal™-instrumentet för varningar, försiktighetsåtgärder och bruksanvisning.

Packa upp CoolSeal™-generatoren

1. Ta ut CoolSeal™-generatoren ur transportlådan och förpackningsmaterialet.
2. Inspektera produkten avseende synliga skador.

Inspektera CoolSeal™-generatoren

Före varje användning av CoolSeal™-generatoren ska du kontrollera att produkten och alla tillbehör är i gott skick:

- Kontrollera att det inte finns några skador på generatoren och alla dess anslutningar.
- Inspektera alla sladdar och kontakter för tecken på slitage, skada och nötning.
- Verifiera att inga fel inträffar när du slår på produkten.

Säkerhet vid konfiguration

Varning

Risk för elektrisk stöt: Anslut systemets nätsladd till ett korrekt jordat eluttag. Använd inte nätadaptrar.

Brandrisk: Använd inte förlängningssladdar eller grenuttag.

Patientsäkerhet: Använd endast CoolSeal™-generatoren om självtestet vid start har slutförts enligt beskrivningen i denna handbok, annars kan felaktiga uteffekter uppstå.

Denna utrustning är endast avsedd att användas av utbildade, legitimerade läkare. Användning av denna utrustning utan sådan utbildning kan leda till allvarlig patientskada.

CoolSeal™-generatoren är endast kompatibel med CoolSeal™-instrument. Inga andra bipolära instrument kan användas.

Vira inte instrumentets sladdar runt metallföremål. Detta kan skapa strömmar som kan ge upphov till stötar, brand eller skador på patienten eller operationspersonalen.

Risk för elektrisk stöt: Anslut inte våta instrumentanslutningar till CoolSeal™-generatoren. Kontrollera att alla instrument och adaptrar är korrekt anslutna.

Inspektera utrustningens kabel avseende brott, sprickor, hack och andra skador före varje användning. Om de är skadade får de inte användas. Skadade utrustningskablar kan det leda till att patienten eller operationspersonalen utsätts för skador eller elektriska stötar.

Försiktighet

Ställ in systemets volymkontroll på en nivå som säkerställer att aktiveringstoner hörs.

Sänk inte aktiveringssignalen till en ohörbar nivå. Aktiveringstonen varnar operationspersonalen när CoolSeal™-generatoren levererar RF-energi.

Undersök alla instrument och anslutningar till systemet före användning. Säkerställ att instrumenten fungerar såsom avsett. Felaktig anslutning kan leda till ljusbågar, gnistor, instrumentfel eller oavsiktliga kirurgiska effekter.

En icke-fungerande CoolSeal™-generator kan orsaka avbrott i operationen. Ett backupsystem ska vara tillgängligt för användning.

Användning av andra apparaters kopplingar, t.ex. elsladdar, än de som specificeras, kan leda till ökade emissioner eller minskad immunitet hos utrustningen.

Lämna så mycket avstånd som möjligt mellan CoolSeal™-generatoren och annan elektronisk utrustning såsom skärmar. Korsa eller bunta inte samman sladdar för elektroniska produkter. Denna generator kan orsaka störningar på annan elektronisk utrustning. Om störningar uppstår ska utrustningen flyttas.

Studier har visat att rök, som genereras under elektrokirurgiska ingrepp, kan vara potentiellt skadligt för patienter och operationspersonalen. Dessa studier rekommenderar adekvat ventilation av röken med hjälp av en kirurgisk rökevakueringsprodukt eller med andra medel.¹

1. U.S. Department of Health and Human Services. National Institute for Occupational Safety and Health (NIOSH). Control of Smoke from Laser/Electric Surgical Procedures. HAZARD CONTROLS, Publication No. 96-128, September 1996.

Konfigurera CoolSeal™-generatoren

1. Placera CoolSeal™-generatoren på en plan, stabil yta, t.ex. ett bord, en plattform, ett bomsystem eller en vagn. Vagnar med icke-ledande hjul rekommenderas. Se rutinerna för din lokala institution eller dina lokala föreskrifter.
2. Anslut ekvipotentialkontakten till en jordkälla om så krävs enligt institutionen eller lokala föreskrifter.
3. Sätt i systemets nätsladd i det elektriska uttaget på den bakre panelen.
4. Anslut systemets nätsladd till ett jordat vägguttag för växelström.

Obs!

Anslut inte CoolSeal™-generatoren till ett grenuttag eller en förlängningssladd.

Placera inte produkten så att det är svårt att dra ut nätsladden.

Viktigt

Vid transport eller förvaring vid temperaturer utanför driftstemperaturområdet, låt CoolSeal™-generatoren stå en timme för att uppnå driftstemperatur före användning.

Slå på systemet genom att trycka på standby-knappen () på produktens framsida. Observera följande under självtestet vid start:

- Enheten utför självtestet vid start.
- Strömbrytaren lyser i grönt.
- Ljudlarmet avger tre (3) halvsekunderstoner när självkontrollen har slutförts.

Obs!

Kontrollera att systemet har slutfört självtestet för start innan instrument ansluts.

Om produkten inte utför självtestet vid start.

- Strömbrytaren tänds inte eller lyser i rött
- Ljudlarmet avger en (1) halvsekunderston när självkontrollen har misslyckats.

Se avsnitten *Varningstillstånd* eller *Felsökning* för ytterligare information

Justera volymen

Volymen av varnings- och aktiveringstoner kan justeras genom att vrida volymratten på bakpanelen på CoolSeal™-generatoren.

Obs!

Den minsta volymen för varningstoner kommer alltid att vara högre än aktiveringstonen.

Ansluta ett CoolSeal™-instrument

Varning

Risk för elektrisk stöt

- Anslut inte våta instrument till CoolSeal™-generatoren.
- Se till att alla instrument är korrekt anslutna och att ingen metall exponeras vid någon anslutningspunkt.

Placera instrumentet korrekt i uttaget. Felaktig anslutning kan leda till oavsiktlig aktivering av instrumentet eller andra potentiellt farliga förhållanden. Följ instruktionerna som medföljer CoolSeal™-instrumenten för korrekt anslutning och användning.

Instrumentuttaget på detta system är utformat för att endast motta ett instrument åt gången. Försök inte att ansluta fler än ett instrument i taget i samma kontakt. Om detta utförs orsakas samtidig aktivering av instrumenten.

Försiktighet

Inspektera instrument och kablar avseende brott, sprickor, hack och andra skador före varje användning. Om de är skadade får de inte användas. Skadade instrument eller sladdar kan det leda till att patienten eller operationspersonalen utsätts för skador eller elektriska stötar.

Ansluta ett CoolSeal™-instrument till CoolSeal™-generatoren

1. Anslut ett CoolSeal™-instrument till instrumentuttaget på framsidan av CoolSeal™-generatoren.
2. Kontrollera korrekt placering och anslutning genom att observera att instrumentuttagsdisplayen lyser i grönt.

Om CoolSeal™-generatoren inte känner igen det anslutna instrumentet, lyser instrumentets uttagsdisplay i rött eller tänds inte och en enda varningston hörs. Se avsnitten Varningstillstånd eller Felsökning.

Aktivera ett CoolSeal™-instrument

1. Aktivera CoolSeal™-instrumentet enligt instrumentets bruksanvisning.
2. Observera följande under aktivering av instrumentet:
 - Aktiveringsdisplayen lyser i blått och varierar i ljusstyrka under hela energitillförseln.
 - En aktiveringston ljuder kontinuerligt under energitillförseln.
3. Observera följande när förseglingscykeln är klar:
 - En tretonsssekvens hörs när förseglingen slutförts. Aktiveringsknappen ska då släppas.
 - Aktiveringsdisplayen på CoolSeal™-generatorns frontpanel lyser tillfälligt i blått.
 - Aktiveringsdisplayen slocknar då.

I händelse av ett varningstillstånd, se avsnitten Varningstillstånd eller Felsökning.

Beskrivning av varningstillstånd

När ett varningstillstånd inträffar:

- En varningston hörs
- En av displayerna på CoolSeal™-generatoren lyser i blått, gult eller rött
- Energitillförseln avbryts

Energi kommer att finnas tillgänglig efter att varningstillståndet har åtgärdats. Se följande tabell för att åtgärda varningstillstånd:

Varningstillstånd:	Indikeras av:	Orsaker:	Gör så här för att lösa det:
Försegling slutförd	<ul style="list-style-type: none"> • Ett ljudlarm med tre toner i följd • Leverans av RF-energi stoppas • Aktiveringsdisplayen lyser blått i en halv (0,5) sekund 	Kärlförseglingen lyckades.	Ingen. Normal drift.
Återaktivera/Ofullständig försegling	<ul style="list-style-type: none"> • En trepulsig varningston • Leverans av RF-energi stoppas • Aktiveringsdisplayen lyser i gult i en (1) sekund 	<p>Förseglingstiden överskrider fem (5) sekunder ELLER</p> <p>Användaren antingen öppnade instrumentets käftar eller släppte aktiveringsknappen, vilket gör att förseglingscykeln avbröts innan förseglingen slutfördes ELLER</p> <p>Strömmen ligger kvar på den maximala strömgränsen i mer än fyra (4) sekunder, vilket indikerar att en elektrisk kortslutning har inträffat mellan käftarna ELLER</p> <p>Instrumentet har aktiverats i öppen luft.</p>	<ol style="list-style-type: none"> 1. Släpp aktiveringsknappen 2. Tryck på aktiveringsknappen för att återaktivera förseglingscykeln utan att flytta instrumentet 3. Öppna instrumentets käftar och kontrollera att förseglingen fungerar 4. Placera om möjligt om instrumentet och fatta tag i vävnaden på ett annat ställe. Återaktivera sedan förseglingscykeln 5. Inspektera förseglingen visuellt före skärning
Möjliga användningsförhållanden inkluderar:			
		Fatta tag i tunn vävnad eller aktivera i öppen luft.	Öppna käftarna och bekräfta att tillräcklig mängd vävnad finns inuti käftarna. Öka vid behov mängden vävnad och upprepa proceduren
		Fatta tag i för mycket vävnad mellan käftarna.	Öppna käftarna och minska mängden vävnad som greppats, och återaktivera förseglingscykeln
		Fatta tag i ett metallföremål.	Undvik att fatta tag i föremål, t.ex. häftklamrar, clips eller inpackade suturer i instrumentets käftar
		Aktivering i överskott av ansamlade vätskor runt instrumentspetsen.	<ol style="list-style-type: none"> 1. Minimera eller avlägsna överflödiga vätska 2. Återaktivera förseglingscykeln utan att flytta instrumentet
		För mycket vävnadskorpa på elektrodspetsarna.	Använd en våt gasvävskompress för att rengöra ytor och kanter på instrumentets käftar.

Systemfel	<ul style="list-style-type: none"> • En enpulsad varningston • RF-energitillförsel slutar Strömknappen tänds och lyser i rött 	Generatorn fungerar inte korrekt, misslyckades med en intern självkontroll.	<ol style="list-style-type: none"> 1. Tryck på strömknappen för att stänga av generatorm 2. Vänta i minst 30 sekunder 3. Tryck på strömknappen för att slå på generatorm 4. Bekräfta att strömknappen lyser i grönt före användning. <p>Om systemfelet inträffar igen:</p> <ul style="list-style-type: none"> • Använd inte generatorm. • Använd en annan CoolSeal™-generator eller alternativa metoder för att slutföra ingreppet. <p>Returnera den trasiga generatorm enligt instruktionerna i avsnittet Produktservice i denna guide.</p>
Instrumentfel	<ul style="list-style-type: none"> • En enpulsad varningston • Instrumentuttagets display lyser i gult och blinkar kontinuerligt • Generatorm tillåter inte tillförsel av RF-energi 	Generatorm fungerar inte korrekt, misslyckades med en intern självkontroll.	<ol style="list-style-type: none"> 1. Koppla från instrumentet från generatorm. 2. Se till att instrumentets aktiveringsknapp inte trycks ned. 3. Återanslut instrumentet till generatorm. 4. Bekräfta att instrumentets uttagsdisplay lyser i grönt <p>Om instrumentfelet inträffar igen:</p> <ul style="list-style-type: none"> • Använd inte instrumentet • Använd ett annat CoolSeal™-instrument.
		Möjliga användningsförhållanden inkluderar:	
		Oavsiktlig nedtryckning av instrumentets aktiveringsknapp under instrumentanslutningen.	Ta bort allt som trycker på instrumentets aktiveringsknapp och anslut instrumentet igen.
		Instrumentbrytaren fungerar inte.	Byt ut instrumentet.

Ogiltigt instrument	<ul style="list-style-type: none"> • En enpulsad varningston tänds på instrumentuttagsdisplayen, och lyser i rött • Generators tillåter inte tillförsel av RF-energi 	Ett oanvändbart instrument har anslutits.	<ol style="list-style-type: none"> 1. Koppla från instrumentet från generatoren. 2. Kontrollera att instrumentet är kompatibelt med CoolSeal™ 3. Anslut instrumentet till generatoren igen. 4. Bekräfta att instrumentets uttagsdisplay lyser i grönt <p>Om instrument-felet inträffar igen:</p> <ul style="list-style-type: none"> • Använd inte instrumentet • Använd ett annat CoolSeal™-instrument.
		Möjliga användningsförhållanden inkluderar:	
		Anslutet instrument är inte kompatibelt med CoolSeal™-teknik.	Bekräfta att instrumentet är kompatibelt med CoolSeal™-tekniken från instrumentets bruksanvisning.
		Instrumentet som är anslutet har använts tidigare.	Kassera instrumentet.
Instrumentet kan inte användas med programvaruversionen.	<p>Bekräfta att den programvaruversion som krävs av instrumentet inte är senare än den programvaruversion som är märkt på undersidan av CoolSeal™-generatoren.</p> <p>För en programvaruuppggradering, se avsnittet Programvaruuppggradering.</p>		

Kapitel 4. Efter operation


Detta kapitel handlar om följande ämnen:

- Stänga av CoolSeal™-generatoren
- Förbereda CoolSeal™-generatoren för återanvändning

Försiktighet

Läs alla varningar, försiktighetsåtgärder och anvisningar som medföljer denna generator före användning. Specifika instruktioner för CoolSeal™-instrument ingår inte i denna handbok. Se bruksanvisningen till CoolSeal™-instrumentet för varningar, försiktighetsåtgärder och bruksanvisning.

Stänga av CoolSeal™-generatoren

1. Stäng av systemet genom att trycka på standby-knappen () på produktens framsida. Observera följande:
 - Strömbrytarknappens lampa släcks.

Vid behov kan generatoren stängas av genom att dra ut nätsladdens antingen från strömuttaget eller väggen.

Förbereda CoolSeal™-generatoren för återanvändning

Steg 1 – Koppla från CoolSeal™-instrument

1. Koppla från instrumentet från frontpanelen.
2. Kassera engångsinstrumentet enligt institutionens rutiner.

Steg 2 – Rengöra CoolSeal™-generatoren

Varning

Risk för elektrisk stöt

Stäng alltid av och koppla ur CoolSeal™-generatoren före rengöring.

Obs!

Rengör CoolSeal™-generatoren med icke-brandfarliga medel och desinfektionsmedel när så är möjligt. Använd inte slipande rengörings- eller desinfektionsmedel, lösningsmedel eller andra material som kan repa panelerna eller skada generatoren, såsom klorerade kolväten eller andra plastlösningsmedel.

- Stäng av generatoren och dra ut nätsladden ur vägguttaget.
- Torka noggrant av alla ytor på generatoren och nätsladden med en mild rengöringslösning eller ett desinfektionsmedel och en fuktig trasa. Om klorbaserade blekmedel används ska de spädas före rengöring.
- Följ procedurer som godkänts av din institution eller använd validerade procedurer för infektionskontroll.
- Sänk inte ned, skölj inte aggressivt och låt inte vätskor komma in i chassit på annat sätt.

Kapitel 5. Felsökning

Detta kapitel handlar om följande ämnen:

- Allmänna riktlinjer för felsökning
- Åtgärda funktionsfel

Försiktighet

Läs alla varningar, försiktighetsåtgärder och anvisningar som medföljer denna generator före användning. Specifika instruktioner för CoolSeal™-instrument ingår inte i denna handbok. Se bruksanvisningen till CoolSeal™-instrumentet för varningar, försiktighetsåtgärder och bruksanvisning.

Allmänna riktlinjer för felsökning

Om CoolSeal™-generatoren inte fungerar korrekt ska du kontrollera om det finns uppenbara tillstånd som kan ha orsakat problemet:

- Kontrollera att alla sladdar är anslutna och korrekt fästa.
- Kontrollera systemet avseende synliga tecken på fysisk skada.
- Stäng av systemet och slå på det igen.

Om felet kvarstår kan systemet behöva service. Kontakta institutionens biomedicinska teknikavdelning, Bolder Surgical eller den auktoriserade distributören.

Om några incidenter inträffar under användning av CoolSeal™-systemet ska användarna rapportera dessa problem direkt till Bolder Surgical på telefon (+1 866 683 1743) eller via e-post (complaints@boldsurg.com) och till din lokala, behöriga myndighet.

Åtgärda funktionsfel

Om en lösning inte är lätt att se, använd tabellen nedan för att identifiera och korrigera specifika fel. När du har åtgärdat felet ska du kontrollera att systemet har slutfört självtestet enligt beskrivningen i kapitlet Systeminställningar.

Onormalt patientsvar:

Tillstånd:	Orsaker:	Gör så här för att lösa det:
Onormal neuromuskulär stimulering (avbryt operationen omedelbart)	Gnistbildning metall mot metall	Kontrollera alla anslutningar till CoolSeal™-generatoren.
	Onormala läckströmmar på 50 Hz–60 Hz	Använd en CoolSeal™ reservgenerator. Kontakta din biomedicinska teknikavdelning eller en teknisk servicerepresentant från Bolder Surgical™ för hjälp.

CoolSeal™-generator – funktionsfel:

Tillstånd:	Orsaker:	Gör så här för att lösa det:
CoolSeal™-generatoren reagerar inte när den slås på	Frånkopplad nätsladd eller defekt vägguttag	Kontrollera nätsladdens anslutningar (CoolSeal™-generatoren och vägguttag). Anslut nätsladden till ett fungerande uttag.
	Defekt nätsladd	Byt ut nätsladden.
	Säkringar har gått	Kontakta din biomedicinska teknikavdelning eller en teknisk servicerepresentant från Bolder Surgical™ för hjälp.
	Funktionsfel på intern komponent	Använd en CoolSeal™ reservgenerator. Kontakta din biomedicinska teknikavdelning eller en teknisk servicerepresentant från Bolder Surgical™ för hjälp.
Systemet är på, men har inte slutfört självtestet eller har slutat fungera under användning – En enstaka pulston hörs och strömknappen lyser i rött	Enheten förvaras kallt	Låt produkten värmas upp till omgivningstemperatur.
	Återställningsbart programvarufel	Använd en CoolSeal™ reservgenerator. Kontakta din biomedicinska teknikavdelning eller en teknisk servicerepresentant från Bolder Surgical™ för hjälp.
	Funktionsfel i intern komponent eller fel i ej återställningsbar programvara	Funktionsfel på intern komponent.
Systemet är påslaget med en enda ton och en instrumentuttagsdisplay som blinkar i gult .	System initierades med ett felaktigt instrument anslutet till instrumentets uttag	Koppla från instrumentet. Stäng av CoolSeal™-generatoren Slå på CoolSeal™-generatoren
	Felaktigt eller utgången instrument	Anslut instrumentet.
	Instrumentfel	Byt ut instrumentet om det fortsätter att fungera felaktigt.
	CoolSeal™-instrumentet kan inte användas med programvaruversionen.	Be din biomedicinska teknikavdelning att kontrollera med produktens tillverkare. För en programvaruuppggradering, se avsnittet Programvaruuppggradering.
Systemet är påslaget, strömbrytaren lyser i grönt , när instrumentet kopplas in hörs en enstaka ton och en röd instrumentuttagsdisplay visas.	Instrumentet kunde inte kännas igen på grund av intermittent anslutning	Dra ut instrumentets kontakt Sätt i kontakten igen ordentligt.
	Återställningsbart programvarufel	Stäng av systemet och slå sedan på det igen.
	Funktionsfel i intern komponent eller fel i ej återställningsbar programvara	Använd en CoolSeal™ reservgenerator. Kontakta din biomedicinska teknikavdelning eller en teknisk servicerepresentant från Bolder Surgical™ för hjälp.
CoolSeal™-generatoren är påslagen och instrumentet är aktiverat, men systemet levererar inte utdata – inga toner eller aktiveringsdisplay	Ett varningstillstånd föreligger	Se avsnittet Varningstillstånd.
	Systemet upptäcker inte kärlförseglingsinstrumentet	Sätt i kontakten ordentligt i uttaget på CoolSeal™-generatorns frontpanel. Se till att uttagsdisplayen lyser i grönt för att indikera att ett CoolSeal™-instrument har kopplats in ordentligt och identifierats.
	Funktionsfel i intern komponent eller fel i ej återställningsbar programvara	Kontakta din biomedicinska teknikavdelning eller en teknisk servicerepresentant från Bolder Surgical™ för hjälp.

Ofullständig försegling/ Återaktivera – En tre puls ig ton hörs, gul aktiveringsdisplay på generatorns frontpanel och RF-utgång är avaktiverad	Förseglingscykeln var längre än 5 sekunder ELLER Handomkopplaren släpptes upp innan sluttonen hördes	Mer tid och energi behövs för att slutföra förseglingscykeln. Återaktivera förseglingscykeln utan att ta bort eller flytta instrumentet. Inspektera förseglingen visuellt före skärning.
	Metall eller andra främmande föremål grips i käftarna	Undvik att fatta tag i föremål, t.ex. häftklamrar, clips eller inkapslade suturer i instrumentets käftar.
	Vävnaden som greppas i käftarna är för tunn	Öppna käftarna och bekräfta att tillräcklig mängd vävnad finns inuti käftarna. Öka vid behov mängden vävnad och upprepa proceduren.
	Poolade vätskor runt instrumentets spets	Minimera eller avlägsna överflödiga vätska. Rengör elektrodspetsar och käftar med en våt gasvävskompress.
	Instrumentet har aktiverats i öppen luft	Släpp upp aktiveringsknappen. Fatta tag i vävnaden och aktivera förseglingscykeln.
Instrumentet är anslutet men kärlförseglingen aktiveras inte	Instrumentet sitter inte ordentligt i instrumentets uttag	Koppla från instrumentet, anslut det igen och vänta ett ögonblick.

Potentiella interaktioner med andra produkter:

Tillstånd:	Orsaker:	Gör så här för att lösa det:
Kontinuerlig monitorstörning	Monitorn fungerar inte	Se monitorns bruksanvisning för felsökning.
	Felaktiga anslutningar mellan chassi och jord	Kontrollera och korriger chassits jordanslutningar för monitorn och för CoolSeal™-generatorn. Kontrollera övrig elektrisk utrustning i rummet för defekta jordningar.
	Elektrisk utrustning är jordad till olika föremål snarare än en gemensam jord. CoolSeal™-generatorn kan reagera på de resulterande spänningsskillnaderna mellan jordade föremål.	Anslut all elektrisk utrustning till nätströmmen på samma plats. Kontakta din medicinska teknikavdelning eller en teknisk servicerepresentant från Bolder Surgical™ för hjälp.
	Om störningarna fortsätter när CoolSeal™-generatorn aktiveras, svarar monitorn på utstrålade frekvenser.	Be din medicinska teknikavdelning att kontrollera med monitorns tillverkare. Vissa tillverkare erbjuder RF chokefilter för användning i monitoravledning. Filtren minskar interferensen när CoolSeal™- generatorn aktiveras och minimerar risken för en elektrokirurgisk brännskada på platsen för monitorelektroden.
Pacemakerinterferens	Intermittenta anslutningar eller gnistbildning metall mot metall	Övervaka alltid patienter med pacemakrar under operation och ha en defibrillator tillgänglig.
Aktivering av intern hjärtdefibrillator (ICD)	ICD aktiveras av CoolSeal™-generatorn	Stoppa proceduren och kontakta ICD-tillverkaren för anvisningar.
Störningar på andra produkter endast när CoolSeal™-generatorn är aktiverad	Elektriskt inkonsekventa jordledningar i operationssalen	Kontrollera att alla jordledningar är så korta som möjligt och går till samma jordade metall.
	Om störningarna fortsätter när CoolSeal™-generatorn aktiveras, svarar produkten på utstrålade frekvenser.	Be din medicinska teknikavdelning att kontrollera med produktens tillverkare.

Kapitel 6. Periodisk funktionstestning, underhåll och service

Detta kapitel behandlar följande information:

- Tillverkarens ansvar
- Periodisk funktionstestning och underhåll
- Returnera generatoren för service
- Programvaruuppgraderingar

Försiktighet

Läs alla varningar, försiktighetsåtgärder och anvisningar som medföljer denna generator före användning. Specifika instruktioner för CoolSeal™-instrument ingår inte i denna handbok. Se bruksanvisningen till CoolSeal™-instrumentet för varningar, försiktighetsåtgärder och bruksanvisning.

Tillverkarens ansvar

Bolder Surgical ansvarar för säkerheten, tillförlitligheten och prestandan hos CoolSeal™-generatoren endast om alla följande villkor har uppfyllts:

- Installations- och inställningsprocedurerna i denna handbok följs.
- Personer, som auktoriserats av Bolder Surgical, utför montering, drift, omjusteringar, modifieringar eller reparationer.
- Den elektriska installationen i det aktuella rummet uppfyller lokala föreskrifter och myndighetskrav, såsom IEC och BSI.
- Utrustningen används i enlighet med Bolder Surgicals bruksanvisning. För garantiinformation, se avsnittet Garanti i denna handbok.

Periodisk funktionstestning och underhåll

När ska periodisk funktionstestning utföras?

Bolder Surgical rekommenderar att ett periodiskt funktionstest av CoolSeal™-generatoren utförs minst en gång vartannat år. Det periodiska funktionstestet får endast utföras av en kvalificerad biomedicinsk tekniker eller så kan CoolSeal™-generatoren returneras till Bolder Surgical eller dess distributör för periodisk funktionstestning. Se Bilaga A för detaljerade instruktioner om det periodiska funktionstestet.

När måste nätsladden bytas ut?

Byt ut nätsladden om du hittar exponerade ledningar, sprickor, nötta kanter eller en skadad kontakt.

När ska säkringarna bytas ut?

Sjukhusets biomedicinska teknikavdelning måste ibland eventuellt byta ut säkringar. Säkringar ska bytas ut antingen när en säkring har skyddat CoolSeal™-generatoren så att säkringen har gått, eller enligt sjukhusets biomedicinska teknikers anvisningar för förebyggande underhåll. Om upprepade säkringsfel uppstår under en kort period ska du inte fortsätta att byta ut säkringarna och returnera CoolSeal™-generatoren för service.

Hur kan säkringarna bytas ut?

1. Stäng av generatoren och dra ut nätsladden ur vägguttaget.
2. Dra ut systemets nätsladd från det elektriska uttaget på den bakre panelen.
3. Lossa säkringsbrickan under det elektriska uttaget.
4. Ta bort båda säkringarna.
5. Skaffa säkringar som är märkta enligt vad som anges under det elektriska uttaget på den bakre panelen.
6. Sätt i båda säkringarna.
7. Sätt i och spärra säkringsbrickan.

Produktservice

Varning

Risk för elektrisk stöt: Ta inte bort locket på CoolSeal™-generatoren.

Försök inte att utföra service på CoolSeal™-generatoren. All service och reparation måste utföras av auktoriserad Bolder Surgical™-personal.

Returnera CoolSeal™-generatoren för service

Innan du returnerar CoolSeal™-generatoren, ska du kontakta din Bolder Surgical™-återförsäljare för hjälp. Om du instrueras att skicka generatoren till Bolder Surgical, ska du göra följande:

1. Ring Bolder Surgical™ kundtjänst för ditt område för att få ett returauktoriseringsnummer. Ha följande information till hands när du ringer:
 - Sjukhusets/klinikens namn/kundnummer
 - Ditt telefonnummer
 - Avdelning/adress, ort och postnummer
 - Modellnummer
 - Serienummer
 - Beskrivning av problemet
 - Typ av tjänst, uppgradering eller reparation som ska utföras
2. Rengöring av CoolSeal™-generatoren
 - Se avsnittet Rengöring ovan.
3. Skicka CoolSeal™-generatoren
 - Fäst en etikett på generatoren, som inkluderar returauktoriseringsnumret och informationen (sjukhus, telefonnummer osv.) som anges i steg 1.
 - Se till att generatoren är helt torr innan du packar den för transport. Förpacka den i sin ursprungliga transportförpackning, i förekommande fall.
 - Skicka generatoren, förbetald, till Bolder Surgical™ Service Center.

Programvaruuppgraderingar

Bolder Surgical™-personal måste utföra programvaruuppgraderingar. Se *Returnera CoolSeal™-generatoren för service* (ovan) för anvisningar.

Kapitel 7. Tekniska specifikationer

Alla specifikationer är nominella och kan ändras utan föregående meddelande.

En specifikation som kallas "Typisk" ligger inom $\pm 20\%$ av ett angivet värde vid rumstemperatur (25 °C / 77 °F) och en nominell ingångsspänning.

Försiktighet

Läs alla varningar, försiktighetsåtgärder och anvisningar som medföljer denna generator före användning. Specifika instruktioner för CoolSeal™-instrument ingår inte i denna handbok. Se bruksanvisningen till CoolSeal™-instrumentet för varningar, försiktighetsåtgärder och bruksanvisning.

Prestandaegenskaper

Allmänt

Utgångskonfiguration:	Isolerad utgång
Kylning:	Naturlig konvektion i omgivningstemperatur
Display:	Indikatorlampor och standby-brytare
Anslutningsportar:	LED-belyst kontaktdetektion
Montering:	Strömvtagarsystem i operationssal Alla stabila, plana ytor, t.ex. ett bord eller en vagn

Mått och vikt

Bredd:	30,5 cm (12 tum)
Djup:	38,1 cm (15 tum)
Höjd:	10,9 cm (4,3 tum)
Vikt:	5,4 kg (12 lbs.)

Driftsparametrar

Omgivningstemperaturintervall:	+10 °C till +35 °C
Relativ fuktighet:	30 % till 75 % (icke-kondenserande)
Atmosfärstryck:	67 kilopascal till 111 kilopascal
Uppvärmningstid:	Vid transport eller förvaring vid temperaturer utanför driftstemperaturområdet, ska CoolSeal™-generator få en timme för att uppnå driftstemperatur före användning.

Transport och förvaring

Omgivningstemperaturintervall:	-20 °C till +60 °C
Relativ fuktighet:	0 % till 90 % (icke-kondenserande)
Atmosfärstryck:	46 kilopascal till 111 kilopascal

Internminne

Icke-flyktig:	RAM
Lagringskapacitet:	Minnets lagring kan lagra information för de senaste 2 000 förseglingscyklerna. Data är inte patientspecifika och användaren kan inte komma åt dem.

Aktiveringston

Ljudnivåerna, som anges nedan, är för aktiveringstoner för försegling på ett avstånd på en meter.

Volym (justerbar):	40 dBA till 80 dBA
Frekvens	
CoolSeal™-försegling:	349,2 Hz
Varaktighet:	Kontinuerlig medan systemet aktivt levererar RF-energi

Larmsignaler

Volym (justerbar):	65 dBA till 80 dBA
Frekvens	
Systemfel och instrumentfel:	En 550 msek tonpuls Hög = 2 637 Hz, Låg = 440 Hz
Tätning slutförd:	550 msek Tre sekventiella toner 349,2 Hz, 392 Hz och 440 Hz 75 msek, 150 msek och 300 msek varaktighet
Återaktivera/ Ofullständig försegling:	Tre tonpuls Hög = 2 489 Hz, Låg = 349,2 Hz 80 msek pulser, 100 msek pauser mellan

Ineffekt

Maximal effekt vid nominell nätspänning: 110 W
Nätström (max) Tomgång: 250 mA Försegling: 1 A
Frekvensområde för huvudledning (nominellt): 50 Hz till 60 Hz
Spänningsområde för huvudledning (nominellt): 100–240 V
Säkringar (2): Typ T5AH 250 V eller motsvarande, 5 mm x 20 mm 5 A, 250 V, långsamt verkande, hög brytförmåga
Strömingång: IEC 60320 C14

Nätsladdspecifikation

Denna produkt är fabriksutrustad med en nätsladd av sjukhuskvalitet på 110 V AC, med en NEMA5-15 nätkontakt. Vid byte av växelströmsladden för att passa en annan nätanslutningskonfiguration, måste utbytesanslutningens/kabelns/uttagets konfiguration uppfylla eller överskrida följande specifikationer:

100–120 V AC

Kabel:	SJT 18/3, IEC-färgkod, maximal längd 3 m
Nätanslutning:	Sjukhuskvalitet, uppfyller kraven i det lokala landet
Minimum:	10 A–125 V AC
Enhetsuttag:	IEC 60320 C13, minst 10 A–125 V AC

220–240 V AC

Kabel:	H05VVF3G1.0, maximal längd 3 m
Nätanslutning:	Sjukhuskvalitet, uppfyller kraven i det lokala landet
Minimum:	6 A–250 V AC
Enhetsuttag:	IEC 60320 C13, minst 6 A–250 V AC

Tekniska specifikationer

Ingångsfrekvens

CoolSeal™-generatoren drivs inom specifikationerna vid alla ledningsingångsfrekvenser mellan 47 Hz och 63 Hz. Användaren behöver inte konfigurera om CoolSeal™-generatoren för olika ledningsfrekvenser.

Ineffekt

CoolSeal™-generatoren drar inte mer än 5 A vid någon ingående ledningsspänning.

Reservström

CoolSeal™-generatoren behåller kalibreringsdata och statistiska data när den stängs av och kopplas ur. CoolSeal™-generatoren fungerar enligt specifikationerna när den kopplas över till en tillförd nätström från sjukhusets backupsystem.

Ekvipotentialanslutning

En ekvipotentialanslutning finns på baksidan av CoolSeal™-generatoren för att möjliggöra anslutning av en potentialutjämningsledare vid behov.

Driftcykel

Under maximala effektinställningar och nominella belastningsförhållanden kan CoolSeal™-generatoren köra en arbetscykel på 25 %, definierad som 5 sekunders aktiv RF-tillförsel och 15 sekunder inaktiv.

Läckström med låg frekvens (50/60 Hz)

Uppfyller IEC 60601-1, utgåva 3.1



Lågfrekvensgränser:

Jordfel:	5 mA normala förhållanden	10 mA enkelt feltillstånd
Tryckström:	100 µA normala förhållanden	500 µA enkelt feltillstånd
Patientläckage: <i>(baserat på applicerad del av typ CF)</i>	10 µA normala förhållanden	50 µA enkelt feltillstånd (likström eller växelström)
Patientläckage med nätanslutning på patientansluten del av typ F: <i>(baserat på patientansluten del av typ CF)</i>		50 µA

Standarder och IEC-klassificeringar

CoolSeal™-generatoren uppfyller alla tillämpliga paragrafer i IEC 60601-1 Ed. 3.1, IEC 60601-1-2 Utg. 4.0 och IEC 60601-2-2 Ed. 6.0.

Symboler

	Se bruksanvisningen		Ingång för växelström (Nätström)
	Varning, el Minska risken för elektriska stötar genom att inte ta inte bort höljet. Överlåt service till kvalificerad servicepersonal.		Utgång för växelström (RF)
	Serienummer		Standby, ström
	Auktoriserad EU-representant		Temperaturgräns
	Katalog-, beställnings- eller referensnummer		Fuktighetsgräns
	Medicinteknisk produkt		Atmosfärstryckbegränsning
	Angiven tillverkare		Förvaras torrt
	Tillverkningsdatum		Klassificerad med avseende på elektriska stötar, brand och mekaniska risker, endast i enlighet med IEC 60601-1 och CAN/CSA C22.2 nr 601.1.
	Generatoren är avsedd för en patientansluten del av typ CF		Uppfyller kraven i FCC, del 15.
	Ekvipotentialitet		Volymjustering för aktiveringstoner, ökar volymen medurs
	Säkring		Utrustningen får inte slängas i soporna

Klassificeringar

Utrustning av klass I (IEC 60601-1)

Åtkomliga ledande delar kan inte bli strömförande vid ett grundläggande isoleringsfel på grund av det sätt på vilket de är anslutna till skyddsjordledaren.

Elektromagnetisk kompatibilitet (IEC 60601-1-2)

Denna produkt uppfyller del 15 i FCC:s regelverk. Användningen är föremål för följande två villkor:

- (1) Enheten får inte orsaka skadliga störningar, och
- (2) Enheten måste acceptera alla inkommande störningar, inklusive störningar som kan orsaka oönskad funktion.

Utrustning av typ CF (IEC 60601-1)

Denna generator ger ett höggradigt skydd mot elektriska stötar, särskilt gällande tillåten läckström. Den är isolerad av typ CF (flytande) uteffekt och kan användas för ingrepp som involverar hjärtat.

IP XX vätskeintrång/spill (IEC 60601-1 och IEC 60601-2-2)

CoolSeal™-generatoren är konstruerad så att vätskespill vid normal användning inte blöter elektrisk isolering eller andra komponenter som, när de väts, sannolikt kommer att påverka utrustningens säkerhet negativt.

Spänningstransienter – nätöverföring till energiplattform (IEC60601-1 och IEC 60601-2-2)

CoolSeal™-generatoren fortsätter att fungera normalt utan fel eller systemfel vid överföring mellan nätspänning och en energiplattform med spänningskälla i nödfall. (IEC 60601-1-2)

Elektromagnetisk kompatibilitet (IEC 60601-1-2 och IEC60601-2-2)

CoolSeal™-generatoren uppfyller tillämpliga IEC 60601-1-2- och 60601-2-2-specifikationer avseende elektromagnetisk kompatibilitet.

Varning

Användning av denna utrustning bredvid eller staplad med annan utrustning ska undvikas eftersom det kan leda till att den fungerar dåligt. Om sådan användning är nödvändig ska denna utrustning och den andra utrustningen observeras för att säkerställa att de fungerar normalt.

Bärbar RF-kommunikationsutrustning (inklusive kringutrustning som antennkablar och externa antenner) ska vara minst 30 cm (12 tum) från alla delar av CoolSeal™-generatoren, inklusive kablar som specificerats av Bolder Surgical. Utrustningens prestanda kan annars försämrats.

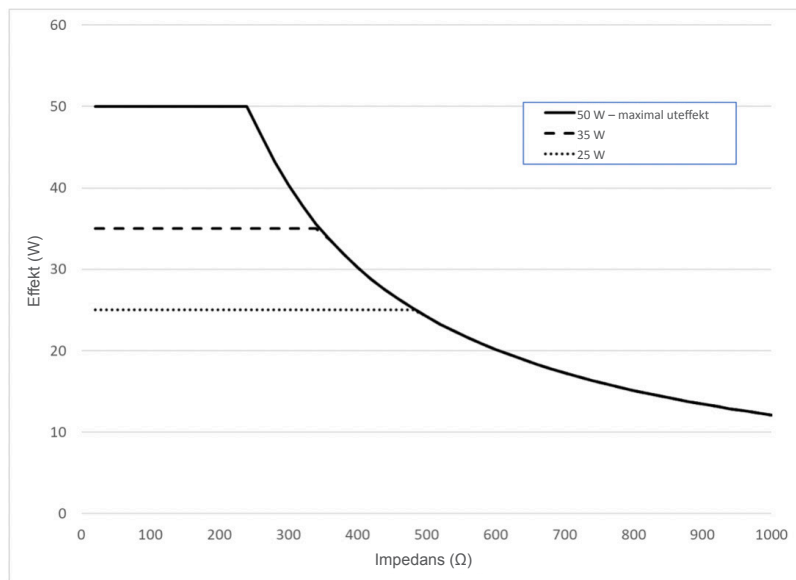
Uteffektegenskaper

Maximal uteffekt för CoolSeal™-generatoren

Effektavläsningarna överensstämmer med den faktiska effekten till nominell belastning inom 20 % eller 5 watt, beroende på vilket som är störst.

Toppspänning öppen krets (max)	Nominell belastning	Nominell uteffekt (max)	Toppfaktor	Vågformsdriftcykel
190 V	20 Ω	50 W	1,9	100 %

Diagram över uteffekt kontra impedans



Elektromagnetisk immunitet

Vägledning och tillverkardeklaration – elektromagnetiska emissioner

CoolSeal™-generatoren är avsedd att användas i den elektromagnetiska miljö som anges nedan. Kunden eller användaren av CoolSeal™-generatoren ska säkerställa att den används i en sådan miljö.

RF-emissioner CISPR 11	Grupp 2	CoolSeal™-generatoren måste avge elektromagnetisk energi för att den ska kunna utföra avsedd funktion. Elektronisk utrustning i närheten kan påverkas.
Ledningsburna emissioner EN 55011:2009+A1:2010, CISPR 11:2009+A1:2010	Klass A	
Utstrålade emissioner EN 55011:2009+A1:2010, CISPR 11:2009+A1:2010	Klass A	
Övertonemission IEC/EN 61000-3-2:2014	Klass A-produkt	
Spänningsfluktuationer/ flimmerutstrålning IEC/EN 61000-3-3:2013	Enligt klausul 5 i Standarden	
Grundläggande säkerhet enligt IEC 60601-1 är prestandakravet som används under immunitetstestning. Väsentlig prestanda gäller inte.		

Obs!

Utrustningens EMISSIONSEGENSKAPER gör den lämplig för användning på industriområden och sjukhus (CISPR 11, klass A). Om utrustningen används i en bostadsmiljö (för vilket CISPR 11, klass B normalt krävs) kanske den inte ger tillräckligt skydd för radiofrekventa kommunikationstjänster. Användaren måste eventuellt vidta riskreducerande åtgärder, som att flytta eller rikta om utrustningen.

Vägledning och tillverkardeklaration – elektromagnetisk immunitet

CoolSeal™-generatoren är avsedd att användas i den elektromagnetiska miljö som anges nedan. Kunden eller användaren av CoolSeal™-generatoren ska säkerställa att den används i en sådan miljö.

Immunitetstest	IEC 60601 testnivå	± Efterlevnads-nivå	Elektromagnetisk miljö – vägledning
Elektrostatisk urladdning IEC/EN 61000-4-2	± 8 kV kontakturladdning ± 2, 4, 8 och 15 kV lufturladdning	± 8 kV kontakturladdning ± 2, 4, 8 och 15 kV lufturladdning	Golvet ska vara av trä, betong eller keramiska plattor. Om golven är täckta med ett syntetiskt material måste den relativa luftfuktigheten vara minst 30 %.
Utstrålad immunitet IEC 61000-4-3:2006 + A1:2008 + A2:2010	80 MHz–6 GHz 3 V/m 80 % @ 1 kHz 28 V/m punkt-frekvenser 385 MHz–2,7 GHz pulsmodulering	80 MHz–6 GHz 3 V/m 80 % @ 1 kHz 28 V/m punkt-frekvenser 385 MHz–2,7 GHz pulsmodulering	Bärbar och mobil radiokommunikationsutrustning ska ej användas på kortare avstånd från någon av CoolSeal™-generatorns delar, inklusive kablarna, än det rekommenderade separationsavstånd som beräknas med användning av den ekvation som gäller för sändarfrekvensen.
Närfält från trådlös RF-kommunikationsutrustning IEC 61000-4-3	Enligt Tabell 9 i standarden IEC 60601-1-2	Se tabellen på nästa sida med frekvensområden och testförhållanden för trådlös RF-kommunikationsutrustning	Rekommenderat säkerhetsavstånd $d = [2] \sqrt{P}$ där P är sändarens maximala uteffekt i watt (W) enligt sändartillverkaren och d är det rekommenderade avståndet i meter (m). Fältstyrkorna från fasta RF-sändare, bestämda genom en elektromagnetisk platsinspektion ^a , måste vara mindre än överensstämmelsenivån för varje frekvensområde ^b .
Ledningsbunden immunitet (växelström) (I/O-ledningar) IEC/SV 61000-4-6	0,15–80 MHz 3 Vrms och 6 Vrms i ISM-band 1 kHz Nätström:	0,15–80 MHz 3 Vrms och 6 Vrms i ISM-band 1 kHz Nätström:	ISM-banden (industriella, vetenskapliga och medicinska) mellan 0,15 MHz och 80 MHz är 6 765 MHz till 6 795 MHz; 13 553 MHz till 13 567 MHz; 26 957 MHz till 27 283 MHz; och 40,66 MHz till 40,70 MHz.
Elektriska, snabba transienter (växelström) IEC/EN 61000-4-4	± 2 kV AC elnätet ± 1 kV - I/O-ledningar 5/50 5 kHz och 100 kHz	± 2 kV AC elnätet ± 1 kV - I/O-ledningar 5/50 5 kHz och 100 kHz	Nätströmmens kvalitet ska vara standard för kommersiell miljö eller sjukhusmiljö.
Överslagsledning till ledning (växelström) IEC/EN 61000-4-5	±1 kV Ledning till ledning Ledning till jord	±1 kV Ledning till ledning Ledning till jord	Nätströmmens kvalitet ska vara standard för kommersiell miljö eller sjukhusmiljö.
Magnetisk immunitet IEC/EN-61000-4-8	30 A/m 50/60 Hz	30 A/m 50/60 Hz	Nätfrekvensens magnetiska fält bör ligga på nivåer som kännetecknar typiska platser i typisk kommersiell miljö eller sjukhusmiljö.
Spänningsfall och avbrott IEC/EN 61000-4-11	0 % UT 0,5 cykel 0 % UT 1 cykel 70 % UT 25 cykler 0 % UT 5 sekunder	0 % UT 0,5 cykel 0 % UT 1 cykel 70 % UT 25 cykler 0 % UT 5 sekunder	Om användaren av CoolSeal™-generatoren kräver fortsatt drift under strömavbrott rekommenderar vi att CoolSeal-generatorn drivs från en avbrottsfri strömkälla eller ett batteri.

OBS! Dessa riktlinjer gäller eventuellt inte i alla situationer. Elektromagnetisk utbredning påverkas av absorption och reflektion från strukturer, föremål och personer.

^a Fältstyrkor från fasta sändare, som exempelvis basstationer för radiotelefoner (mobiltelefoner/trådlösa telefoner) och landbaserade mobilradioapparater, amatörradio, AM- och FM-radiosändningar och TV-sändningar, kan inte förutses teoretiskt med noggrannhet. För att bedöma den elektromagnetiska miljön till följd av fasta RF-sändare ska en elektromagnetisk platsundersökning övervägas. Om den uppmätta fältstyrkan på platsen där CoolSeal™-generatoren används överskrider den tillämpliga RF-överensstämmelsenivån bör du observera CoolSeal™-generatoren för att verifiera att den fungerar normalt. Om onormal drift observeras kan ytterligare åtgärder vara nödvändiga, såsom inriktningsändring eller omflyttning av CoolSeal™-generatoren.

^bInom frekvensintervallet 150 kHz till 80 MHz ska fältstyrkorna vara mindre än 3 V/m.

Vägledning och tillverkardeklaration – elektromagnetisk immunitet			
Frekvensområden och testförhållanden för trådlös RF-kommunikationsutrustning			
Frekvensband (MHz)	Testfrekvens (MHz)	Modulation^a	Efterlevnadsnivå (V/m)
380–390	380–390	Puls – 18 Hz	27
430–470	450	FM ±5 kHz avvikelse 1 kHz sinus	28
704–787	710	Puls – 217 Hz	9
	745		
	780		
800–960	810	Puls – 18 Hz	28
	870		
	930		
1 700–1 990	1 720	Puls – 217 Hz	28
	1 845		
	1 970		
2 400–2 570	2 450	Puls – 217 Hz	28
5 100–5 800	5 240	Puls – 217 Hz	9
	5 500		
	5 785		

^aPulsmodulering definieras som en ingående fyrkantvåg med 50 % driftcykel vid den angivna frekvensen.

OBS! Bärbar RF-kommunikationsutrustning ska inte användas närmare än 30 cm (12 tum) från någon del av CoolSeal™-generatoren, inklusive kablar, som specificerats av Bolder Surgical. Utrustningens prestanda kan annars försämrats.

Rekommenderat separationsavstånd mellan bärbar/mobil RF-kommunikationsutrustning och CoolSeal™-generatoren

CoolSeal™-generatoren är avsedd att användas i en elektromagnetisk miljö där störningar från radiofrekvenser (RF) kontrolleras. Kunden eller användaren av CoolSeal™-generatoren kan bidra till att undvika elektromagnetiska störningar genom att upprätthålla ett minsta avstånd mellan portabel och mobil RF-kommunikationsutrustning (sändare) och CoolSeal™-generatoren enligt nedanstående rekommendationer, baserat på kommunikationsutrustningens maximala uteffekt.

Nominell maximal uteffekt hos sändare	Separationsavstånd från sändare $d = [2]\sqrt{P}$
0,01	0,20
0,1	0,63
1	2,00
10	6,32
100	20,00

För sändare med en minsta uteffekt som inte anges ovan kan det rekommenderade separationsavståndet d i meter (m) beräknas med den ekvation som är tillämplig på sändarens frekvens, där P är sändarens maximala uteffekt i watt (W) enligt sändartillverkaren.

OBS! Dessa riktlinjer gäller eventuellt inte i alla situationer. Elektromagnetisk utbredning påverkas av absorption och reflektion från strukturer, föremål och personer.

Bilaga A – Periodiskt funktionstest

Syftet med testet är att bekräfta att CoolSeal™-generatoren fungerar på rätt sätt. Det rekommenderas att detta test utförs minst vartannat år för att säkerställa att korrekt funktion upprätthålls över tid. Se etiketten för det sista testdatumet för senaste funktionstestdatum för Bolder Surgical™. Detta test kan användas oftare enligt sjukhusets riktlinjer.

Varning

Öppna inte höljet på CoolSeal™-generatoren. Det finns inga delar i höljet som användaren kan utföra service på. Ytterligare testning krävs för att bekräfta att säker drift upprätthålls när höljet har öppnats. Denna testning är endast tillgänglig på Bolder Surgical™ Service Center. Underlåta produkt att följa denna anvisning kan leda till ökad risk för elektriska stötar.

Obs!

Endast kvalificerade personer får utföra CoolSeal™ funktionstest.

Viktigt

ETT valfritt formulär tillhandahålls nedan för att registrera resultaten av det periodiska funktionstestet.

Varning

Försök inte använda funktionstestkabeln för något annat syfte än de steg som beskrivs häri. Använd inte kliniskt.

Definitioner:

UUT – Enhet under test

ESA – Elektrisk säkerhetsanalysator

ESuA – Elektrokirurgisk analysator

Utrustning som krävs:

UUT - CoolSeal™-generator – CSL-200-50

ESA – Fluke elektrisk säkerhetsanalysator modell ESA612 (eller motsvarande)

ESuA – Fluke elektrokirurgisk analysator modell QA-E SII, QA-ES III (eller motsvarande)

Funktionstestkabel – CSL-FTC

Stoppur

Kriterier för godkännande/underkännande:

- Följ stegen som beskrivs nedan för att erhålla det angivna resultatet, upprepa om detta resultat inte erhålls.
- Kontakta Bolder Surgical för att ordna med service för att åtgärda fel eller avvikelser.
- Försök inte att reparera CoolSeal™-generatoren.
- Försök att reparera CoolSeal™-generatoren bryter mot produktgarantin.

Procedur:

REGISTRERA RESULTAT:

1. Du kan registrera resultaten av följande tester på en kopia av den bifogade loggen. Efter varje steg nedan, ska du registrera resultatet i motsvarande avsnitt enligt **<RECORD RESULTS> (REGISTRERA RESULTAT)**. Registrera numeriska värden där detta indikeras och ringa in **P** för Godkänt eller **F** för Underkänt.

INSPEKTION:

1. Inspektera produkten avseende yttre skador eller saknade komponenter, inga skador eller saknade komponenter ska förekomma. **<RECORD RESULTS> (REGISTRERA RESULTAT)**
2. Kontrollera att nätsladden inte är skadad, inga skador ska förekomma. **<RECORD RESULTS> (REGISTRERA RESULTAT)**

INDIKATORLAMPOR OCH LJUDINDIKATORER:

1. Slå på strömmen till UUT:n och tryck på strömknappen. Strömknappen ska lysa i GRÖNT och en sekvens med tre (3) ljudsignaler ska höras. Om strömknappen lyser i RÖTT indikerar detta ett fel på självtestet. **<RECORD RESULTS> (REGISTRERA RESULTAT)**
2. Sätt i funktionstestkabeln i instrumentets uttag, instrumentets uttagsdisplay ska lysa i vitt. **<RECORD RESULTS> (REGISTRERA RESULTAT)**
3. Stäng av strömmen till UUT:n. Tryck och håll ned aktiveringsknappen. Slå på strömmen medan du håller aktiveringsknappen intryckt. Strömbrytaren lyser i GRÖNT och en sekvens med tre (3) ljudsignaler ska höras, följt av en andra signal, därefter blinkar instrumentuttagsdisplayen i GULT. **<RECORD RESULTS> (REGISTRERA RESULTAT)**
4. Ta bort funktionstestkabeln och stäng av UUT:n och slå sedan på den igen. Strömbrytaren ska lysa i GRÖNT. Medan aktiveringsknappen på funktionstestkabeln trycks ned och hålls intryckt, ska funktionstestkabeln föras in i instrumentets uttag. En enda ton höras, följt av att instrumentuttagsdisplayen blinkar GULT. **<RECORD RESULTS> (REGISTRERA RESULTAT)**
5. Stäng av UUT:n och slå sedan på den igen för att återställa den från föregående steg. Ställ brytaren på funktionstestkabeln i läget "Öppen" och tryck på och håll in aktiveringsknappen. Aktiveringsdisplayen visar FUCHSIA tillfälligt och startar förseglingsstonen, följt av en GUL display i ca 1 sekund och 3-tonsvarningen om att fatta tag i vävnaden igen. Detta kan låta som 4 toner. **<RECORD RESULTS> (REGISTRERA RESULTAT)**
6. Ställ brytaren på funktionstestkabeln i läget "Kort". Håll aktiveringsknappen intryckt och bekräfta att aktiveringsdisplayen lyser i FUCHSIA och varierar i intensitet från av till full intensitet med förseglingsstonen. Detta följs av en gul aktiveringsdisplay i GULT och ett 3-tonslarm. **<RECORD RESULTS> (REGISTRERA RESULTAT)**
7. När funktionstestkabelns omkopplare fortfarande är i läget "Kort", ska du förbereda dig att ta tid med stoppuret från att du trycker på aktiveringsknappen tills den GULA displayen visas. Tryck på aktiveringsknappen och ta tid på FUCHSIA-fasen (förseglingsfasen). **<RECORD RESULTS> (REGISTRERA RESULTAT)**
8. När omkopplaren för funktionstestkabeln fortfarande är i läget "Kort", ska du förbereda dig att vrida volymratten under FUCHSIA (förseglingsfasen). Tryck på aktiveringsknappen, vrid volymratten till varje extrem nivå och bekräfta en volymändring mellan minimi- och maximinivåerna. **<RECORD RESULTS> (REGISTRERA RESULTAT)**
9. Ta bort testkabeln, stäng av strömmen och koppla ur UUT.

TEST AV JORDKONTINUITET:

1. Slå på ESA
2. Anslut nätsladden från UUT till ESA
3. Anslut testavledningen till V/ Ω /A-uttaget på ESA för att mäta Ohm (Ω).
4. Anslut testavledningen till ESA-jordledningen/nollpolen.
5. Se till att ESA-produkten mäter motståndet (Ω)
6. Nollställ ESA.
7. Anslut testkabeln till ekvipotentialkontakten på UUT.
8. Registrera motståndsvärdet som ses genom strömkabeln och UUT. **<RECORD RESULTS> (REGISTRERA RESULTAT)**
9. Koppla från UUT från ESA, stäng av ESA.

JORDFELSTESTNING

1. Slå på ESA.
2. Anslut nätsladden från UUT till ESA.
3. Sätt i funktionstestkabeln i instrumentets uttag.
4. Ställ in funktionstestkabeln på Normal, stapla de RÖDA och SVARTA banankontakterna
5. För in de staplade kontakterna i RA/R-porten (motstånd) på ESA
6. Använd inställningen för mikroampere (μA) och JORD för att utföra följande testserie.
7. Normal/Stängd <RECORD RESULTS> (REGISTRERA RESULTAT)
8. Normal/Öppen <RECORD RESULTS> (REGISTRERA RESULTAT)
9. Backa/Öppen <RECORD RESULTS> (REGISTRERA RESULTAT)
10. Backa/Stängd <RECORD RESULTS> (REGISTRERA RESULTAT)
11. Ta bort funktionstestkabeln och upprepa ovanstående testserie.
12. Normal/Stängd <RECORD RESULTS> (REGISTRERA RESULTAT)
13. Normal/Öppen <RECORD RESULTS> (REGISTRERA RESULTAT)
14. Backa/Öppen <RECORD RESULTS> (REGISTRERA RESULTAT)
15. Backa/Stängd <RECORD RESULTS> (REGISTRERA RESULTAT)
16. Koppla från UUT från ESA, stäng av ESA.

IMPEDANSTESTARE

1. Slå på ESuA
2. Slå på UUT
3. Ställ funktionstestkabelns brytare på Normal
4. Anslut de RÖDA och SVARTA kontakterna på funktionstestkabeln till motsvarande ESuA VAR LOAD-uttag.
5. Sätt i funktionstestkabeln i UUT
6. Bekräfta att strömbrytaren lyser i GRÖNT och att skärmen för instrumentets uttag är VIT innan du fortsätter.

Viktigt

CoolSeal™-generatoren testar en rad olika uteffekter. Den första aktiveringen sker med en uteffekt på 25 watt, den andra med en uteffekt på 35 watt och den tredje med en uteffekt på 50 watt. Den fjärde aktiveringen börjar om från början. Om du vill starta om sekvensen från en känd startpunkt, ska du helt enkelt koppla från funktionstestkabeln och föra in den igen.

Viktigt

När du använder funktionstestkabeln kommer CoolSeal™-generatoren att försätta produkten i feltillstånd om den resistiva belastningen ändras avsevärt. Det är osannolikt att detta inträffar under funktionstestet, men om det skulle inträffa, ska du helt enkelt stänga av produkten och slå på den igen för att återställa den.

7. Ställ in ESuA-belastningen på 25 Ohm.
8. Starta testet på ESuA.
9. Tryck och håll ned aktiveringsknappen.
10. Vid 25 Ohm, observera den maximala effektläsningen vid 25 watt. <RECORD RESULTS> (REGISTRERA RESULTAT)
11. Tryck och håll ned aktiveringsknappen.
12. Vid 25 Ohm, observera den maximala effektläsningen vid 35 watt. <RECORD RESULTS> (REGISTRERA RESULTAT)

-
13. Tryck och håll ned aktiveringsknappen.
 14. Vid 25 Ohm, observera den maximala effektavläsningen vid 50 watt. **<RECORD RESULTS> (REGISTRERA RESULTAT)**
 15. Stoppa testet på ESuA.
 16. Ställ in ESuA-belastningen på 50 Ohm
 17. Starta testet på ESuA.
 18. Tryck och håll ned aktiveringsknappen.
 19. Vid 50 Ohm, observera den maximala effektavläsningen vid 25 watt. **<RECORD RESULTS> (REGISTRERA RESULTAT)**
 20. Tryck och håll ned aktiveringsknappen.
 21. Vid 50 Ohm, observera den maximala effektavläsningen vid 35 watt. **<RECORD RESULTS> (REGISTRERA RESULTAT)**
 22. Tryck och håll ned aktiveringsknappen.
 23. Vid 50 Ohm, observera den maximala effektavläsningen vid 50 watt. **<RECORD RESULTS> (REGISTRERA RESULTAT)**
 24. Stoppa testet på ESuA.
 25. Ställ in ESuA-belastningen på 225 Ohm
 26. Starta testet på ESuA.
 27. Tryck och håll ned aktiveringsknappen.
 28. Vid 225 Ohm, observera den maximala effektavläsningen vid 25 watt. **<RECORD RESULTS> (REGISTRERA RESULTAT)**
 29. Tryck och håll ned aktiveringsknappen.
 30. Vid 225 Ohm, observera den maximala effektavläsningen vid 35 watt. **<RECORD RESULTS> (REGISTRERA RESULTAT) >**
 31. Tryck och håll ned aktiveringsknappen.
 32. Vid 225 Ohm, observera den maximala effektavläsningen vid 50 watt. **<RECORD RESULTS> (REGISTRERA RESULTAT)**
 33. Stoppa testet på ESuA.
 34. Stäng av allting och koppla från UUT från testutrustningen.

Formulär för sammanfattning av periodiskt funktionstest

Formulär för sammanfattning av periodiskt funktionstest 1/2

Generatorns serienr: _____

Steg	TEST	KRAV	Registrera värden	Ringa in Godkänd/Ej godkänd
Inspektion				
1	Inspektion av produktens utsida	Ingen skada		P/F
2	Nätsladd	Ingen skada		P/F
Indikatorlampor och ljudindikatorer				
1	Normal uppstart	GRÖN strömknapp och 3 toner		P/F
2	Normal instrumentinföring	Vit instrumentuttagsdisplay		P/F
3	Knappen har fastnat under påslagning	1) GRÖN strömknapp och 3 toner 2) 1 ton, sedan blinkande GULT uttag		P/F
4	Knappen har fastnat efter påslagning	1 ton, sedan blinkande GULT uttag		P/F
5	Test av öppen krets	1) Kort FUCHSIA-display med ton 2) GUL display med varning med 3 toner		P/F
6	Test av kort krets	1) 4 andra FUCHSIA-display med ton 2) GUL display med varning med 3 toner		P/F
7	Förseglingstid	Ca 4 sekunders varierande FUCHSIA-display	_____ sek	P/F
8	Volymtest	Volymen ändras mellan Min. och Max. Nivåer		P/F

Testarens namn

Underskrift

Datum

Formulär för sammanfattning av periodiskt funktionstest 2/2

Generatorns serienr: _____

Steg	TEST	KRAV	Registrera värden	Ringa in Godkänd/Ej godkänd
Test av jordkontinuitet				
8	Markkontinuitetsvärde	< 0,200 ohm	____ ohm	P/F
Jordfelstestning				
7	Normal/stängd med kabel	< 0,500 μ A	____ μ A	P/F
8	Normal/öppen med kabel		____ μ A	P/F
9	Backa/öppna med kabel		____ μ A	P/F
10	Backa/stängd med kabel		____ μ A	P/F
12	Normal/stängd ingen kabel		____ μ A	P/F
13	Normal/öppen ingen kabel		____ μ A	P/F
14	Backa/öppna ingen kabel		____ μ A	P/F
15	Backa/stäng ingen kabel		____ μ A	P/F
Impedans				
10	Impedans 25 Ω /Effekt 25 W	20 W – 30 W	____ W	P/F
12	Impedans 25 Ω /effekt 35 W	28 W – 42 W	____ W	P/F
14	Impedans 25 Ω /effekt 50 W	40 W – 60 W	____ W	P/F
19	Impedans 50 Ω /effekt 25 W	20 W – 30 W	____ W	P/F
21	Impedans 50 Ω /effekt 35 W	28 W – 42 W	____ W	P/F
23	Impedans 50 Ω /effekt 50 W	40 W – 60 W	____ W	P/F
28	Impedans 225 Ω /effekt 25 W	20 W – 30 W	____ W	P/F
30	Impedans 225 Ω /effekt 35 W	28 W – 42 W	____ W	P/F
32	Impedans 225 Ω /effekt 50 W	40 W – 60 W	____ W	P/F

Testarens namn

Underskrift

Datum

Garanti

Bolder Surgical garanterar att varje produkt som de tillverkar är fri från defekter i material och utförande under normal användning och service under den period/de perioder som anges nedan. Bolder Surgicals enda skyldighet och kundens enda gottgörelse för brott mot denna garanti är begränsad till reparation eller utbyte, enligt Bolder Surgicals eget gottfinnande, av någon produkt, eller del därav, som har returnerats till denne eller dess distributör inom den tillämpliga tidsperiod som visas nedan efter leverans av produkten till den ursprungliga köparen, och som undersökningen avslöjar, till Bolder Surgicals belåtningsprodukt, att produkten är defekt. Denna garanti gäller inte någon produkt eller del därav som har reparerats eller ändrats av någon annan än Bolder Surgical eller dess auktoriserade representanter, eller som har utsatts för felaktig användning, försummelse eller olyckshändelse. Garantiperioderna för Bolder Surgical-produkter är följande:

Produkttyp	Garantiperiod (tid efter leverans av Bolder Surgical)
CoolSeal™ generator	1 år från datum för leverans

MED UNDANTAG FÖR DE BEGRÄNSADE GARANTIerna Ovan, I DEN UTSTRÄCKNING SOM TILLÅTS ENLIGT GÄLLANDE LAG, FRÅNSÄGER SIG UTTRYCKLIGEN ALLA ANDRA GARANTIER, UTTRYCKLIGA, UNDERFÖRSTÅDDA ELLER LAGSTADGADE, INKLUSIVE, MEN INTE BEGRÄNSAT TILL, UNDERFÖRSTÅDDA GARANTIER OM SÄLJBARHET OCH ICKE-INTRÅNG.

OAKTAT ANDRA BESTÄMMELSER HÄRI ELLER I ANDRA DOKUMENT ELLER MEDDELANDEN SOM TALAR EMOT DETTA, KOMMER BOLDER SURGICAL, UNDER INGA OMSTÄNDIGHETER ATT HÅLLAS ANSVARIGA FÖR FÖRLUST AV VINST ELLER INTÄKTER, FÖRLUST AV PRODUKT, FÖRLUST AV ANVÄNDNING AV PRODUKTER, AVBROTT I VERKSAMHETEN ELLER FÖR NÅGRA SÄRSKILDA, FÖLJDSKADOR, OFÖRUTSEDDA SKADOR, INDIREKTA SKADOR, SKADOR SOM GER UPPHOV TILL BESTRAFFNING ELLER ANDRA FORMER AV SKADOR. BOLDER SURGICALS TOTALA ANSVAR FÖR ALLA ANSPRÅK SOM UPPSTÅR PÅ GRUND AV ELLER I SAMBAND MED DETTA AVTAL OCH ALLA PRODUKTER, SKA BEGRÄNSAS TILL ALLMÄNNA EKONOMISKA SKADOR TILL ETT BELOPP SOM INTE ÖVERSTIGER DET TOTALA INKÖSPRISET FÖR PRODUKTEN SOM GER UPPHOV TILL ANSPRÅKET. Dessa begränsningar och undantag ska gälla oavsett om ett anspråk baseras på avtal, garanti, skadestånd, utomobligatoriskt ansvar (inklusive försumlighet), strikt ansvar eller annat. Bolder Surgical varken tar på sig eller auktoriserar någon annan part att åta sig något annat ansvar i samband med försäljning eller användning av någon av Bolder Surgicals produkter.

Denna garanti och de rättigheter och skyldigheter som anges häri ska tolkas enligt och regleras av lagarna i delstaten Colorado, USA. Eventuell stämning eller agerande från eller i samband med denna garanti ska uteslutande väckas i statliga eller federala domstolar i Boulder eller Denver, Colorado, USA, och kunden avstår härmed från all rätt att invända mot platsen för sådana domstolar. Bolder Surgical, dess återförsäljare och representanter förbehåller sig rätten att ändra, modifiera eller omforma sina produkter utan någon skyldighet att modifiera eller ersätta produkter som tidigare byggts och/eller sålts av dem.

CoolSeal™



GENERATOR

BOLDER™
S U R G I C A L

Bolder Surgical

Made in USA. Printed in USA.
© 2021 Bolder Surgical
All rights reserved.

www.BolderSurgical.com

Tel: 866.683.1743

Patent Information

www.BolderSurgical.com/patents

ICE-DO-18103 Rev. E

Issue Date: 2021-07-22

www.BolderSurgical.com/IFUs

CE
2797



Bolder Surgical

331 S. 104th Street, Suite 200
Louisville, CO 80027
USA