

Artwork consists of:

- 302 8.26 inch x 11.69 inch (A4) sheets attached.

Artwork contains the following file(s):

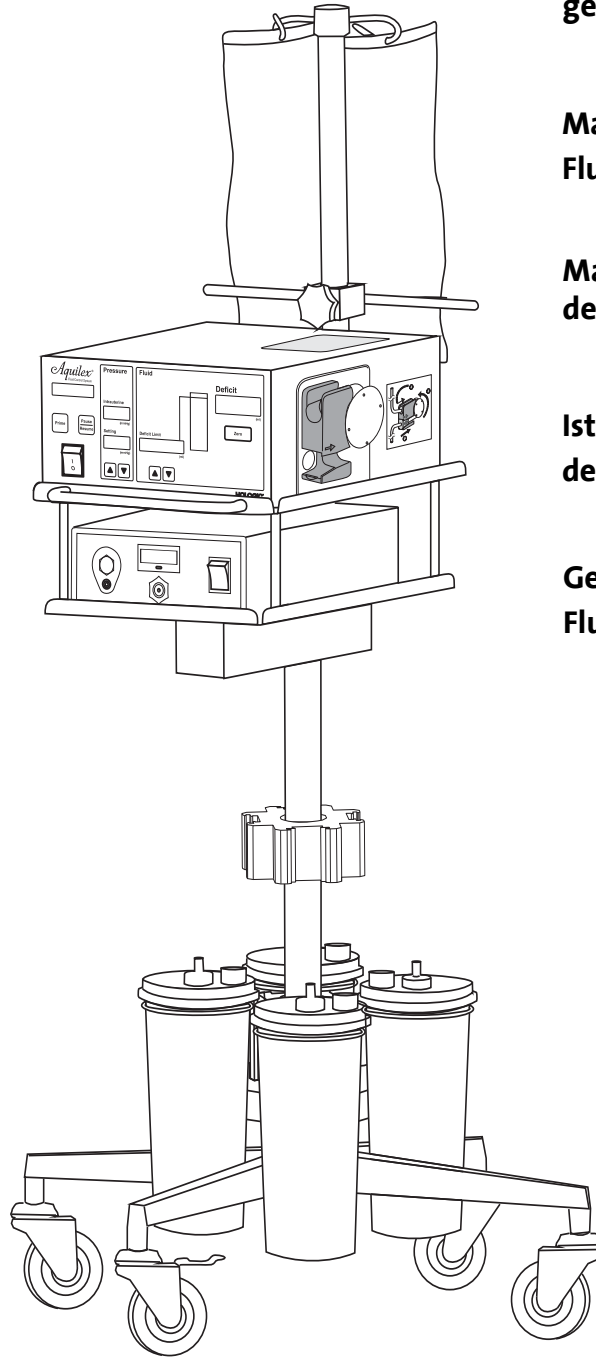
File Name	Description
AW-07059-4320_009_02.pdf	View File

Artwork is black and white.

REV AUTHORED BY K BUJOLD	DATE 4/29/16	HOLOGIC [®]	SIGNATURES ON FILE	
REV DRAFTED BY K BUJOLD	DATE 4/29/16			
PROPRIETARY: This document contains proprietary data of Hologic, Inc. No disclosure, reproduction or use of any part thereof may be made except by written permission from Hologic.		TITLE TEXT, IFU, AQUILEX FLUID MANAGEMENT SYSTEM, 4320	DOCUMENT NUMBER AW-07059-4320	REV 009
REV. RELEASE DATE: 05/16/2016	ARTWORK		SIZE A	SHEET 1 OF 1

Aquilex[®]

Fluid Control System



Instructions for Use and Fluid Control System Operator's Manual

EN

Gebrauchs- und Bedienungsanweisungen für Fluid Control System

DE

Manuel d'instruction et d'utilisation du Fluid Control System

FR

Manual de Instrucciones y de Utilización del Fluid Control System

ES

Istruzioni per l'uso e istruzioni operative del Fluid Control System

IT

Gebruiks- en bedieningsinstructies voor Fluid Control System

NL

HOLOGIC[®]

EN

Hologic and MyoSure are registered trademarks of Hologic, Inc. and its subsidiaries in the United States and other countries. Aquilex is a trademark of Hologic, Inc. and its subsidiaries in the United States and other countries. All other trademarks, registered trademarks, and product names are the property of their respective owners.

DE

Hologic und MyoSure sind eingetragene Warenzeichen der Hologic, Inc. und ihrer Tochtergesellschaften in den Vereinigten Staaten und anderen Ländern. Aquilex ist ein Warenzeichen der Hologic, Inc. und ihrer Tochtergesellschaften in den Vereinigten Staaten und anderen Ländern. Alle anderen Warenzeichen, eingetragene Warenzeichen und Produktnamen sind Eigentum der jeweiligen Inhaber.

FR

Hologic et MyoSure sont des marques déposées de Hologic Inc., de ses filiales aux États-Unis et d'autres pays. Aquilex est une marque de Hologic Inc., de ses filiales aux États-Unis et d'autres pays. Toutes les autres marques, marques déposées, et noms de produits sont la propriété de leurs propriétaires respectifs.

ES

Hologic y MyoSure son marcas comerciales registradas de Hologic, Inc. y sus subsidiarias en los Estados Unidos y otros países. Aquilex es una marca comercial de Hologic, Inc. y sus subsidiarias en los Estados Unidos y otros países. Todas las demás marcas comerciales, marcas comerciales registradas y nombres de productos son propiedad de sus respectivos dueños.

IT

Hologic e MyoSure sono marchi registrati di Hologic, Inc. e relative società affiliate negli Stati Uniti e in altri paesi. Aquilex è un marchio registrato di Hologic, Inc. e relative società affiliate negli Stati Uniti e in altri paesi. Tutti gli altri marchi commerciali, marchi registrati e nomi di prodotti sono di proprietà del rispettivo proprietario.

NL

Hologic en MyoSure zijn gedeponeerde handelsmerken van Hologic, Inc. en haar dochtermaatschappijen in de Verenigde Staten en andere landen. Aquilex is een handelsmerk van Hologic, Inc. en haar dochtermaatschappijen in de Verenigde Staten en andere landen. Alle andere handelsmerken, gedeponeerde handelsmerken en productnamen zijn eigendom van de desbetreffende houders.

**Manufacturer/Hersteller/Fabricant/Fabricante/
Fabbricante/Fabrikant:**



W.O.M. WORLD OF MEDICINE GmbH

Salzufer 8

10587 Berlin, Germany

Phone: +49 30 39981-550

Fax: +49 30 39981-545

E-mail: info.berlin@womcorp.com



W.O.M. WORLD OF MEDICINE GmbH

Alte Poststraße 11

96337 Ludwigsstadt, Germany

Phone: +49 9263 877-0

Fax: +49 9263 877-152

E-mail: info.ludwigsstadt@womcorp.com

CE0197

CE marking according to Directive 93/42/EEC
CE-Kennzeichnung gemäß Richtlinie 93/42/CEE
Marquage CE conforme à la directive 93/42/CEE
Identificación CE conforme a la directiva 93/42/CEE
Marchio CE conforme alla direttiva 93/42/CEE
EG-markering conform Richtlijn 93/42/EEG

**Distributor/Vertreiber/Distributeur/Distribuidor/
Distributore/Distributeur:**

HOLOGIC, INC.

250 Campus Drive,

Marlborough

MA 01752 USA

1.800.442.9892 (US Toll Free)

1.508.263.2900

MAN-02570-4320 Rev.009

Model: H112/1201048/10000011593 07/2016-04 endefresitnl/marik

EN














DE

FR

ES

IT

NL

	Read Instructions Before Use	Bedienungsanleitung befolgen	Lire la documentation jointe !	Observe la documentación adjunta	Leggere la documentazione allegata	Lees de begeleidende documentatie
	BF Type Equipment	System des Typs BF	Système de type BF	Sistema del tipo BF	Sistema tipo BF	Syteem van het type BF
	Symbol for Potential Equalization	Symbol für Potentialausgleich	Symbole pour la fiche équipotentielle	Símbolo para la conexión equipotencial	Simbolo per il collegamento equipotenziale	Symbol voor de potentiaalvereffening
IP 41 / IP 21	Degrees of Protection Provided by Enclosures (IP-Code)	Gehäuseschutzklasse (IP-Code)	Degrés de protection procurés par les enveloppes (Code IP)	Grado de protección proporcionado por los envolventes (Código IP)	Grado di protezione degli involucri (Codice IP)	Beschermingsklasse (IP-code) behuizing
	Alternating Current	Wechselstrom	Courant alternatif	Corriente alterna	Corrente alternata	Wisselstroom
	Service	Service	Service	Servicio	Servizio	Service
REF	Order Number	Bestellnummer	Numéro de commande	Número de pedido	Numero di ordinazione	Bestelnummer
	Do not Reuse	Nicht zur Wiederverwendung	Usage unique	No reutilizable	Non riutilizzabile	Niet voor hergebruik
	Sterilized using Ethylene Oxide	Sterilisiert mit Ethylenoxid	Stérilisés à l'éthylène oxide	Esterilizado con óxido de etileno	Sterilizzato con ossido di etilene	Sterilisatie met ethyleenoxide
	Lot Number	Chargenbezeichnung	Numéro de lot	Número de lote	Numero di lotto	Chargennummer
SN	Serial Number	Seriennummer	Numéro de série	Número de serie	Numero di serie	Seriennummer
	Date of Manufacture	Herstellungsdatum	Date de fabrication	Fecha de fabricación	Data di produzione	Fabricagedatum
	Expiration Date	Verwendbar bis	Date limite d'utilisation	Utilizable hasta	Da utilizzarsi entro il	Te gebruiken tot
	Pieces	Stück	Unités	Unidades	Pezzi	Eenheden
	Quantity	Menge	Quantité	Cantidad	Quantità	Hoeveelheid
	Not Made with Natural Rubber Latex	Nicht aus Naturkautschuklatex hergestellt	Ce produit ne contient pas de latex de caoutchouc naturel	Producto no producido con látex de caucho natural	Non prodotto in lattice di caucciù naturale	Niet vervaardigd van natuurlijke rubberlatex

Symbols/Bildzeichen/Symboles/Símbolos/Simboli/Symbolen

EN		Not Made with Phthalates	Dieses Produkt enthält kein Diethylhexylphthalat (DEHP)	Ce produit ne contient pas du diethylhexyl phthalate (DEHP)	Este producto no contiene dietilhexilftalato (DEHP)	Questo prodotto non contiene diethylhexylftalato (DEHP)	Dit product bevat geen di-ethylftalaat (DEHP)
DE		Made with Phthalates	Dieses Produkt enthält Diethylhexylphthalat (DEHP)	Ce produit contient du diethylhexyl phthalate (DEHP)	Este producto contiene dietilhexilftalato (DEHP)	Questo prodotto contiene diethylhexylftalato (DEHP)	Dit product bevat di-ethylftalaat (DEHP)
		Do Not Get Wet	Vor Nässe schützen	Protéger de l'humidité	Proteger contra la humedad	Proteggere dall'umidità	Beschermen tegen vocht
FR		Top-Bottom	Oben-Unten	Haut-bas	Arriba-abajo	Alto - basso	Boven-Beneden
ES		Fragile	Zerbrechlich	Fragile	Frágil	Fragile	Breekbaar
IT		Waste Management	Entsorgung	Élimination des déchets	Gestión de residuos	Smaltimento	Verwijdering
NL		Reset Deficit Button	Taste Reset Deficit	Touche de remise à zéro du déficit	Tecla de reseteo del déficit	Tasto di reset per deficit	Resettoets voor deficit
		Prime Button	Taste Prime	Touche Prime	Tecla Prime	Tasto Prime	Toets Prime
		Pause/Resume Button	Taste Pause/Resume	Touche Pause/Resume	Tecla Pause/Resume	Tasto Pause/Resume	Toets Pause/Resume
		Increase	Erhöhen	Croissant	Aumento	Crescente	Verhogen
		Decrease	Verringern	Décroissant	Disminución	Decrescente	Verlagen
		Fluid Bags	Flüssigkeitsbeutel	Poche de liquide	Bolsa de líquido	Sacche di liquido	Vloeistofzak
		Non-Sterile	Nicht steril	Non stérile	No estéril	Non è sterile	Niet steriel
		Connection for Canister Scale	Anschluss Containewaage	Raccord pour unité de pesage à container	Conexión para la balanza de cubetas	Attacco per unità di pesatura contenitori	Aansluiting reservoirweegstelsysteem
		Data Transfer	Datenübertragung	Transmission de données	Transmisión de datos	Trasmissione dati	Datatransmissie
		Do not push!	Schieben verboten	Interdit de pousser!	¡No empujar!	Non spingere!	Duwen verboden
		General Warning Sign	Warnzeichen für allgemeine Gefahr	Signalisation générale de danger	Señal de advertencia general	Segnale generale di pericolo	Waarschuwingsteken voor algemeen gevaar
		SGS USTC Certification Mark	SGS USTC Produktzertifizierung	Marque de certification SGS USTC	Marca de certificación SGS USTC	Marquio de certificazione SGS USTC	Kwaliteitsmerk SGS USTC

Table of contents

1 Important User Notes 3

2 Safety Information 4

3 Purpose of the System 5

3.1 Warnings and Precautions 5

3.1.1 Warnings 5

3.1.2 Precautions 9

3.2 Description of the Aquilex Fluid Control System 10

4 Initial System Set-up 11

4.1 Preparing the System For Use 11

4.2 System Set-up 12

5 System Operation 13

5.1 Front of Pump 13

5.2 Rear of Pump 13

5.3 Cart/scale 14

5.3.1 Scale Set-up 15

5.3.2 Connecting the Vacuum Tubing 16

5.4 Turning On the Aquilex System 17

5.5 Hanging the Fluid Bags 18

5.6 Using Tube Sets 18

5.7 Tubing Overview 19

5.8 Connecting the Outflow Tubing 19

5.8.1 MyoSure® Outflow Connection 20

5.9 Inserting the Inflow Tube Set 21

5.10 Presetting the Intrauterine Pressure 22

5.11 Setting the Deficit Limit 22

5.12 Using the Pump during Operation 23

5.13 Changing Canisters during Procedure 23

5.14 Total Volume Displayed 24

5.15 Turning System Off 24

6 Safety functions 25

7 Care and Maintenance 26

7.1 Cleaning the System 26

7.2 Authorized Service Technician Maintenance 26

7.3 Replacing the Fuse 26

8 Annual Inspection 28

8.1 Safety Test 28

8.2 Basic Function Tests 28

8.3 Scale Test 28

8.4 Flow Rate Test 29

8.5 Pressure Measuring Test 30

8.6 Fluid Deficit Measurement Test 31

8.7 Vacuum Pump Operational Test 32

9 Error and Warning Messages 33

10 Technical Data 35

11 Guidelines and manufacturer's statement - electromagnetic compatibility 37

11.1 Impact of Mobile and Portable HF Communication Devices 37

11.2 Electrical Connections 37

11.3 Guidelines and Manufacturer's Statement – Electromagnetic Emissions 38

11.4 Guidelines and Manufacturer's Statement - Electromagnetic Interference Immunity 39

11.5 Guidelines and Manufacturer's Statement - Electromagnetic Interference Immunity 40

11.6 Recommended safety distances between portable and mobile HF telecommunications devices and the Aquilex Fluid Control System 41

12 Accessory List 42

13 Warranty Information 43

14 Glossary 45

15 Appendix 46

15.1 Test Log 46

Index 47

1 Important User Notes

Read the manual carefully and become familiar with the operation and function of the Aquilex® Fluid Control System (Aquilex System) and the accessories before use during surgical procedures. Non-observance of the instructions listed in this manual can lead to:

- life-threatening injuries to the patient,
- severe injuries of the surgical team, nursing staff or service personnel, or
- damage or malfunction of the system and/or accessories.

The manufacturer reserves the right to modify the appearance, graphics, and technical data of the product through continued development of the product.

The words WARNING, CAUTION, and NOTE carry special meanings. Read these sections with special attention.

Subject to technical changes

Please note

WARNING!

Warnings indicate risks to the safety of the patient or user. Failure to follow warnings may result in injury to the patient or user.



CAUTION!

Warnings indicate risks to the equipment. Failure to follow cautions may result in damage to the system.



NOTE!

Notes provide special information to clarify instructions or present additional information.



Federal Law (only for U.S. market)

Exclusion of liability

Authorized service technician

Intended use

Care and maintenance

Waste management



2 Safety Information

Caution: Federal law restricts this device to sale by or on the order of a physician.

Hologic is not liable for direct or consequential damage and the warranty is null and void if:

- the system and/or the accessories are improperly used, prepared, or maintained,
- the instructions in the manual are not adhered to,
- non-authorized persons perform repairs, adjustments, or alterations on or to the system or accessories,
- non-authorized persons open the pump housing,
- the prescribed inspection and maintenance schedules are not adhered to.

Receipt of technical documentation from Hologic does not authorize individuals to perform repairs, adjustments, or alterations on or to the system or accessories.

Only an authorized service technician may perform repairs, adjustments, or alterations on the system or accessories. Any violation will void the manufacturer's warranty. Authorized service technicians are trained and certified only by the manufacturer.

The system may be used only as intended.

The service and maintenance of the system and its accessories has to be carried out as per instructions to ensure its safe operation. For the protection of the patient and the operating team, check that the system is complete and functional before each use.

In the European Community, this symbol indicates that the waste of electrical and electronic equipment must not be disposed of as unsorted municipal waste and must be collected separately instead. Please contact Hologic or an accordingly authorized disposal or waste management company for further information.

3 Purpose of the System

Aquilex® Fluid Control System is intended to provide liquid distension of the uterus during diagnostic and operative hysteroscopy, and to monitor the volume differential between the irrigation fluid flowing into and out of the uterus.

The system may not be used to introduce fluids into the uterus when hysteroscopy is contraindicated. See the operators manual of your hysteroscope for absolute and relative contraindications.

Relative contraindications to endometrial ablation:

Hysteroscopic endometrial ablation, whether by laser or electrosurgery, should not be undertaken before adequate training, preceptorship, and clinical experience. Additionally, tissue sampling is required prior to destruction of the endometrium. The following are clinical conditions that can significantly complicate hysteroscopic endometrial ablation:

- Adenomatous endometrial hyperplasia
- Uterine leiomyoma
- Severe adenomyosis
- Pelvic pain (subtle PID)
- Uterine anomalies
- Surgical skill (see above)
- Severe anemia
- Inability to circumnavigate the myoma (re: myoma size) - predominantly intramural myomas with small submucous components.

3.1 Warnings and Precautions

3.1.1 Warnings

WARNING!

When performing monopolar hysteroscopic electrosurgery, the distension medium must be electrically non-conductive. Examples include glycine, sorbitol and mannitol. Isotonic saline irrigation fluids may only be used when performing bipolar electrosurgical resective procedures.



WARNING!

The pressure should be kept as low as possible to allow for a sufficient intrauterine distension and to reduce the forces that could allow fluid, ambient air, and/or gas to enter the circulatory system.



WARNING!

Intrauterine distention is usually possible with pressure values between 35 to 70 mmHg. A pressure above 75 to 80 mmHg is required only in rare cases or if the patient has an excessively high blood pressure.



WARNING!

When using the cart/scale, follow the exact operating instructions in this manual.



WARNING!

Fluid overload

There is a risk of irrigation fluid reaching the circulatory system of the patient's soft tissue by passing through the uterus. This can be affected by distention pressure, flow rate, perforation of the uterine cavity and duration of the hystero-



scopic surgery. It is critical to closely monitor the input and outflow of the distending liquid at all times.



WARNING!

Fluid deficit

The fluid left in the patient must be monitored. The deficit is the total amount of fluid left in the patient or unaccounted for otherwise. Take notice of the measurement tolerance of the system (see Chapter 10, Technical Data). Estimating the fluid volume remaining in the patient is the physician's responsibility.



WARNING!

Fluid intake and output surveillance

Strict fluid intake and output surveillance should be maintained. If a low viscosity liquid distention medium is used, intrauterine instillation exceeding 2 liters should be followed with great care due to the possibility of fluid overload. If a high viscosity fluid (e. g. Hyskon) is used, the use of more than 500 ml should be followed with great care. See labeling for Hyskon for additional information.



WARNING!

Serum sodium concentration

It is also necessary to monitor the concentration of sodium in the blood of the patient to prevent electrolyte disturbances. Monitoring of the concentration of sodium in the blood must be performed by the physician and is not performed or supported by the system.



WARNING!

The deficit display value is lost in case of a power loss or "brownout."



WARNING!

Hyponatremia

Some distension fluids may lead to fluid overload and, consequently, hyponatremia with its attending sequelae. This can be affected by the distending pressure, flow rate, and duration of hysteroscopic procedure. It is critical to closely monitor the input and outflow of the distending liquid at all times.



WARNING!

Pulmonary edema

Hysteroscopic surgery is associated with a risk of developing pulmonary edema resulting from fluid overload with isotonic fluids. It is critical to closely monitor the input and outflow of the distending liquid at all times.

WARNING!**Cerebral edema**

Hysteroscopic surgery is associated with a risk of developing cerebral edema resulting from fluid overload and electrolyte disturbances with hyposmolar (non-ionic) fluids such as glycine 1.5% and sorbitol 3.0%. It is critical to closely monitor the input and outflow of the distending liquid at all times.

**WARNING!****Idiosyncratic reactions**

In rare cases, idiosyncratic reactions, including:

- intravascular coagulopathy
- allergic reaction including anaphylaxis

may occur while performing hysteroscopy if a liquid distention medium is used. Specifically, idiosyncratic anaphylactoid reactions have been reported when using Hyskon as an irrigation fluid during hysteroscopy. These should be managed like any allergic reaction.

**WARNING!****Hypothermia (monitoring body temperature)**

Continuous flow of distention fluids can lead to a lowering of the patient's body temperature during hysteroscopic surgery. Lower body temperatures can cause coronary and cardiovascular problems. Always monitor the patient's body temperature during the entire surgery. Make especially sure that the following, hypothermia promoting, operation conditions are avoided as best as possible:

- longer operating times
- use of cold irrigation fluid.

**WARNING!****Rupture of the fallopian tube secondary to tubal obstruction**

Distention of the uterus may lead to a tear of the fallopian tube should there be an obstruction or permanent occlusion. The rupture could lead to irrigation fluid flowing into the patient's peritoneal cavity, resulting in a fluid overload. It is critical to closely monitor the input and outflow of the distending liquid at all times.

**WARNING!**

An air embolism can be the result of air contained in the tube set or connected instrument reaching the patient. Ensure there is always fluid in the bag to prevent air from being pumped into the patient.

**WARNING!**

The system is only intended for use with flexible fluid containers. Do not use glass containers as they might break. With rigid containers, fluid cannot flow quickly enough due to the vacuum being generated inside of the containers. Risk of implosion with rigid containers.

**WARNING!**

Filling the tubing with irrigation fluid and resetting the deficit display to zero are to be done at the physician's discretion.





WARNING!

Place the system in such a way as to allow for easy visualization of the display values, system functions, and access to the control elements.



WARNING!

Do not use this system if a defect is suspected or detected during the function check. This also applies to obvious defects, especially defects and damage to the power plug and power cord.



WARNING!

Pressing the ON/OFF switch does not disconnect the system from the wall power outlet. This requires pulling the power cord located in the rear of the system.



WARNING!

Technique and procedures

Only the physician can evaluate the clinical factors involved with each patient and determine if the use of this system is indicated. The physician must determine the specific technique and procedure that will accomplish the desired clinical outcome.



WARNING!

Check all factory settings.

Factory settings are not mandatory settings for the physician. The physician is responsible for all settings affecting the surgical procedure.



WARNING!

Original accessories

For your own safety and that of your patient, use only Aquilex accessories.



WARNING!

Not explosion-proof

The system is not explosion-proof. Do not use in an area where flammable anesthetic gases are present.



WARNING!

No modification of this equipment is allowed.



WARNING!

To avoid risk of electric shock, this equipment must only be connected to a supply mains with protective earth.

WARNING!

Professional qualification

This manual does not include descriptions or instructions for surgical procedures/techniques. It is also not suitable for training physicians in the use of surgical techniques. Medical instruments and systems may be used only by physicians or medical assistants with the appropriate technical/medical qualification working under the direction and supervision of a physician.



WARNING!

Sterile media and accessories

Always work exclusively with sterile substances and media, sterile fluids, and sterile accessories, if so indicated.



WARNING!

Replacement system and accessories

In case the system or any of the accessories fail during a procedure, an alternative system and replacement accessories should be kept within easy reach to be able to finish the operation with the replacement components.



WARNING!

Cleaning the system

Do not sterilize the system.



WARNING!

Condensation / Water penetration

Protect system from moisture. Do not use if moisture has penetrated the system.



WARNING!

System defect

If a system defect is suspected or confirmed, do not use the system. Ensure the system will no longer be used until a qualified service technician conducts the appropriate tests and repairs.



WARNING!

Replacing fuse

Replace the fuse only with a fuse of the same type and rating (see Chapter 10, Technical Data).



WARNING!

Equipment should be positioned such that power cord can be easily disconnected.



3.1.2 Precautions

CAUTION!

Federal Law (only for U.S. market)

Federal law restricts this device to sale by or on the order of a physician.





CAUTION!

When using the Aquilex System with MyoSure® or other morcellation systems, the combination of low set pressures and high vacuum pressures may result in a significant loss of intrauterine distension pressure which has the potential to affect the visibility of the surgical field. Conversely, when employing high distension pressures, the deactivation of the MyoSure® or other morcellator system can lead to pressure spikes that can exceed 150 mmHg. These situations may occur for a short time as the system automatically adjusts the flow rate to return to the set intrauterine pressure.



CAUTION!

The system may only be connected with hysteroscopes designed for and featuring the technical specification permitting such a combined use. Any utilized hysteroscopes must comply with the most recent versions of EC 60601-2-18 and ISO 8600.



CAUTION!

Electrical Interference: (See Chapter 11, Guidelines and manufacturer's statement - electromagnetic compatibility). Electrical interference with other devices or instruments was practically eliminated when developing this system and none was detected during testing. However, if you still detect or suspect such interference, please follow these suggestions:

- Move the Aquilex System, the other device, or both devices to a different location
- Increase distance between devices used
- Consult an electro-medical expert



CAUTION!

Check to ensure the available wall outlet voltage matches the data listed on the label attached to the back of the pump. Incorrect voltage can cause errors and malfunctions and may destroy the system.

Technical application scope of the system

3.2 Description of the Aquilex Fluid Control System

The intrauterine pressure can be adjusted on the front of the pump. It can be pre-set to a range between 40 and 150 mmHg. The maximum inflow rate is 800 ml/min and is reduced automatically by the pump once the pre-set intrauterine pressure setting has been reached.

The system has been designed to provide both fluid and vacuum systems that maximize the performance of the MyoSure® Tissue Removal System.

Suggested distension media

The Aquilex Fluid Control System can be used with hypotonic, electrolyte-free media (e.g., glycine 1.5% and sorbitol 3.0%) and isotonic, electrolyte containing media (e.g., saline 0.9% and Lactated Ringer's).

Pressure measuring and regulating

The system operates with a completely non-contact pressure measurement of the irrigation medium. The contact-free pressure measurement is achieved by integrating the pressure chamber into the tubing system. The pressure chamber transmits the irrigation fluid pressure to the electronics of the device via a pressure sensor. The pressure control circuit continuously compares the desired pre-set intrauterine pressure with the actual intrauterine pressure. The function of this algorithm is to maintain the pre-set intrauterine pressure. Check for possible leaks if the pre-set intrauterine pressure cannot be achieved.

4 Initial System Set-up

Always check all parts and accessories of the system when performing initial set-up. If the system should show obvious defects, contact Hologic Technical Support (Chapter 13, Warranty Information).

Place the system on a level surface and install in a dry environment. The ambient temperature and humidity must meet the requirements mentioned in Chapter 10, Technical Data.

WARNING!

Equipment should be positioned such that power cord can be easily disconnected.

Initial system set-up



4.1 Preparing the System For Use

CAUTION!

Check to ensure the available wall outlet voltage matches the data listed on the label attached to the back of the system. Incorrect voltage can cause errors and malfunctions and may destroy the system.

Connection to the wall outlet



Ensure the connection data and technical specifications of the power supply comply with DIN VDE or national requirements. The wall outlet power supply cord must be plugged into a properly installed safety wall plug (see DIN VDE 0107). Read the device label located in rear of pump to determine the operating voltage of the system.

The power connection must be equipped with a grounding contact. Use the Aquilex power cord to establish a connection between the wall outlet and the power cord connection located in the rear of the system.

Grounding contact

Use only a certified (UL-listed), removable power cord, type SJT, minimal 18 AWG, 3 leads. The plug connectors must comply with NEMA 5-15 or IEC 320/CEE22. Grounding will only be reliable if the equipment is connected to a corresponding hospital grade outlet.

Only for U.S. operators

Integrate the system into the potential equalization system as specified by local safety rules and regulations.

Potential equalization

Medical devices are subject to special safety and protective measures concerning electromagnetic compatibility (hereafter abbreviated as EMC).

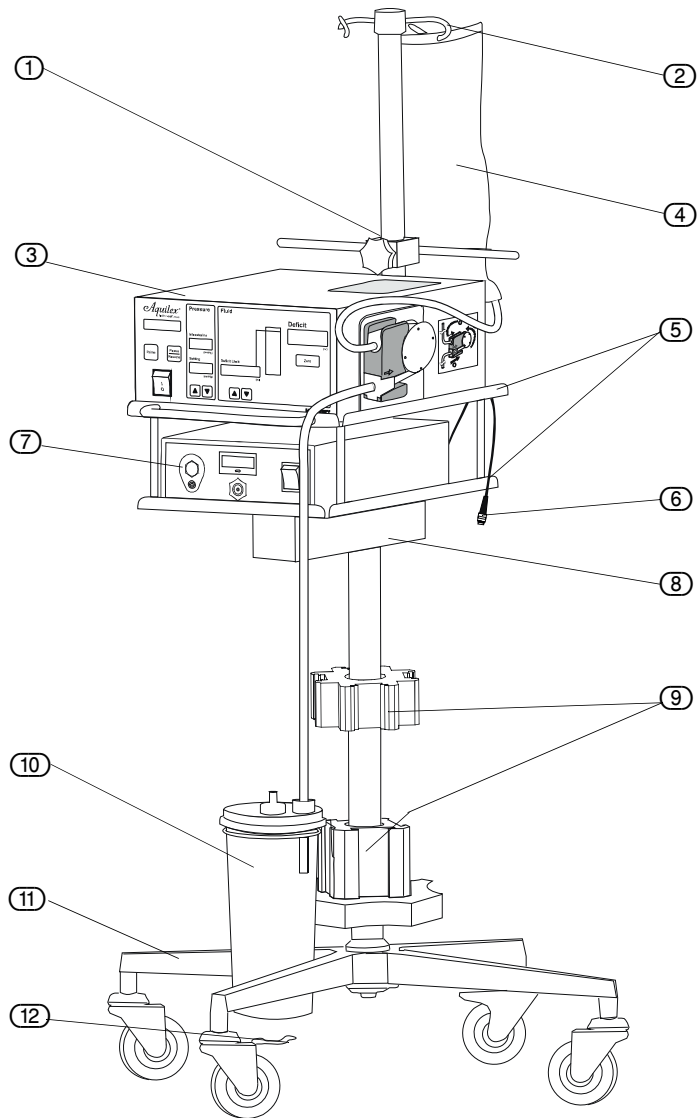
Precautionary measures

This system is to be used only for the purposes described in the manual and has to be installed, set up, and operated in compliance with the EMC notes and instructions.

4.2 System Set-up

Figure 4-1 Set-up of Aquilex Fluid Control System

- ① Cart
- ② Bag holder
- ③ Pump
- ④ Fluid bag
- ⑤ Trays
- ⑥ Scale cable
- ⑦ MyoSure® Control Unit
- ⑧ Scale
- ⑨ Canister holders
- ⑩ Canister
- ⑪ Roller base
- ⑫ Locking foot brake



The Aquilex Fluid Control System is divided into two separate boxes for shipping.

Box 1 contains:

- Pump
- Manual
- Wall power cord
- Aquilex vacuum tube set (low and high vacuum)
- MyoSure® Control Unit power cord

Box 2 contains:

- Cart/scale
- Canister rings

5 System Operation

5.1 Front of Pump

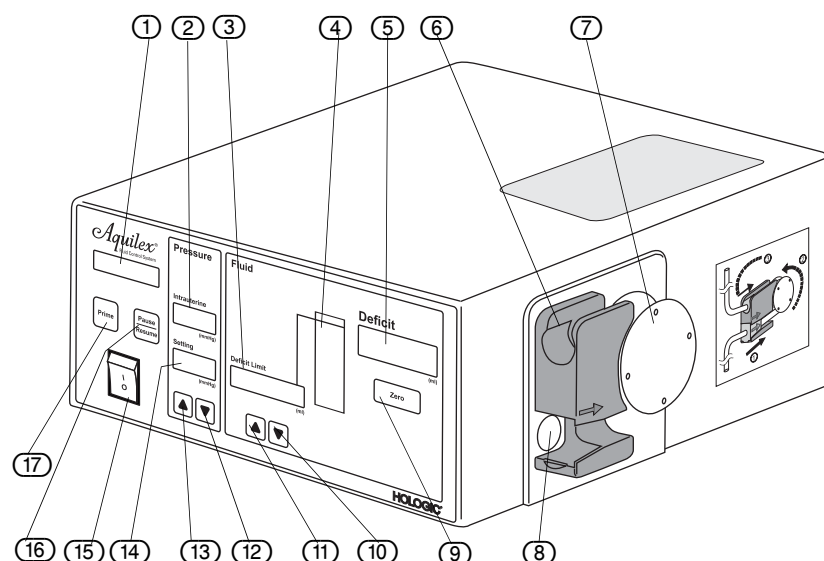


Fig. 5-1 Front of Pump

- ① Pump display
- ② Intrauterine pressure display
- ③ Fluid deficit limit display
- ④ Deficit meter
- ⑤ Deficit display
- ⑥ Inflow tube holder
- ⑦ Roller wheel
- ⑧ Pressure sensor
- ⑨ Reset deficit button (Zero)
- ⑩ Decrease deficit limit
- ⑪ Increase deficit limit
- ⑫ Decrease intrauterine pressure setting
- ⑬ Increase intrauterine pressure setting
- ⑭ Intrauterine pressure setting display
- ⑮ ON/OFF switch
- ⑯ Pause/Resume button
- ⑰ Prime button

Please familiarize yourself with the layout of the individual elements on the front of the pump.

5.2 Rear of Pump

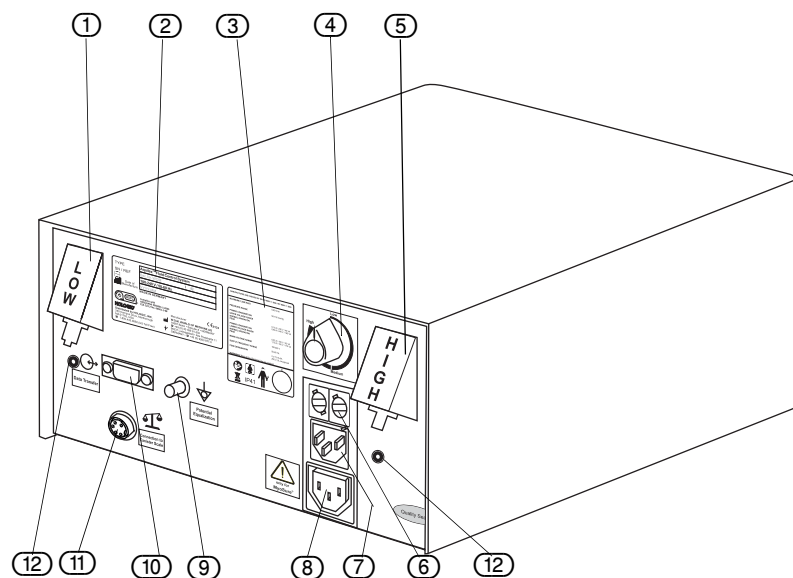


Figure 5-2 Rear of Pump

- ① Low vacuum port (white)
- ② Product ID label
- ③ Device performance data
- ④ Adjustment dial for high vacuum
- ⑤ High vacuum port (green)
- ⑥ Fuse holder(s)
- ⑦ Power cord connection
- ⑧ MyoSure® Control Unit Power Connection
- ⑨ Potential equalization connector
- ⑩ Service interface
- ⑪ Scale connection
- ⑫ Exhaust ports

Please familiarize yourself with the layout of the individual elements at the rear of the pump.

CAUTION!

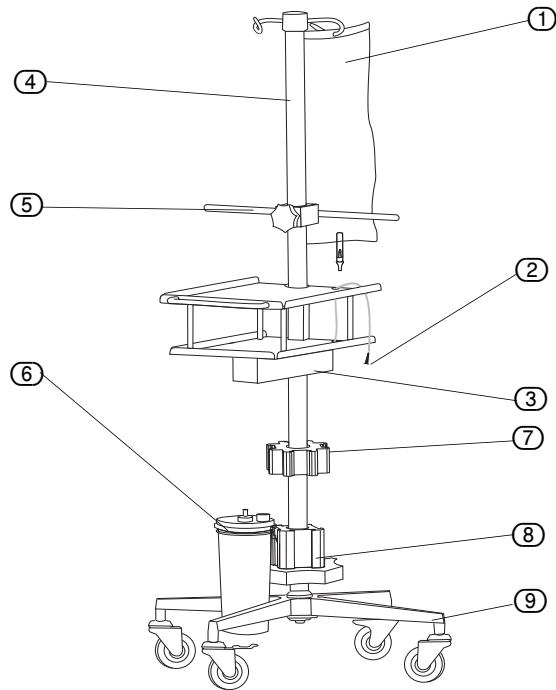
Any devices to be connected via the interface have to comply with EN 60950.



5.3 Cart/scale

Figure 5-3 Cart/Scale

- ① Fluid bag
- ② Scale cable
- ③ Scale
- ④ Pole with bag hooks
- ⑤ Bag deflector
- ⑥ Canister
- ⑦ Upper canister holder (Serres, Medela, Baxter, Baxter flex)
- ⑧ Lower canister holder (Abbott, Bemis, Medi-Vac, DeRoyal)
- ⑨ Roller base



The cart/scale consists of a weighing scale for the canisters, a pole with hooks for irrigation fluid bags, and a roller base.

1. Remove the cart/scale from the cardboard shipper box.
2. Extend the pole to stop position.
3. Extend the bag deflector to stop position.
4. Remove the pump and the power cords from the first cardboard box.
5. Install canister rings (included in the second box) on upper (⑦) or lower (⑧) canister holders, in accordance with type of canister.
6. Connect the wall power cord to the male outlet at the rear of the pump (⑦ Figure 5-2, Rear of Pump, page 13) and a grounded safety wall outlet.
7. Connect the scale to the pump by connecting the scale cable (② Figure 5-3, Cart/Scale) to the scale connection (⑪ Figure 5-2, Rear of Pump).
8. Use the enclosed MyoSure Control Unit power cord to connect the pump (⑧ Figure 5-2, Rear of Pump) with the MyoSure® Control Unit.



WARNING!

Scale error

Ensure that nothing weighs down the scale during system start-up. Doing so may result in an inaccurate deficit value.



WARNING!

Fluid deficit

The fluid left in the patient must be monitored. The deficit is the total amount of fluid left in the patient or unaccounted for otherwise. Take notice of the measurement tolerance of the system (see Chapter 10, Technical Data). Estimating the fluid volume remaining in the patient is the physician's responsibility.

WARNING!

Serum sodium concentration

It is also necessary to monitor the concentration of sodium in the blood of the patient to prevent electrolyte disturbances. Monitoring of the concentration of sodium in the blood must be performed by the physician and is not performed or supported by the system.



Try to collect all the fluid running out of the uterine cavity during the procedure to achieve the most exact deficit value possible.

Precise balancing

The scale can be loaded with a weight of up to 65 lbs (~30 kg). Weight above this value triggers the **Scale Overloaded/Check Scale** message. Three audible warning tones are emitted (See Chapter 9, Error and Warning Messages.)

Scale capacity

CAUTION!

Ensure canisters hang freely and are not supported or in contact with anything; otherwise, the deficit calculated is inaccurate.



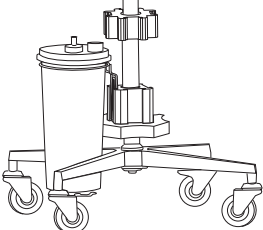
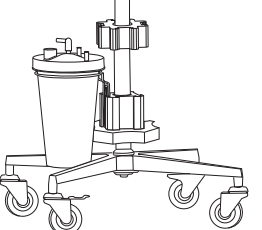
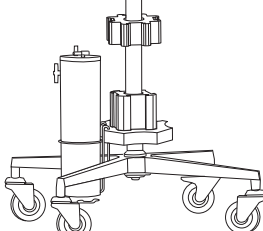
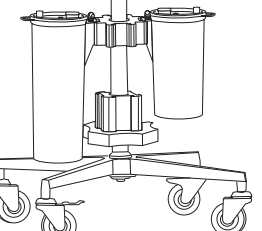
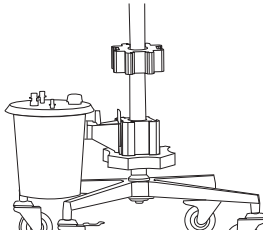
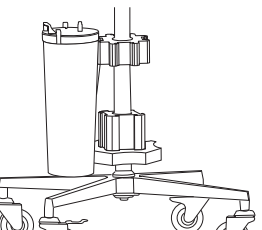
NOTE!

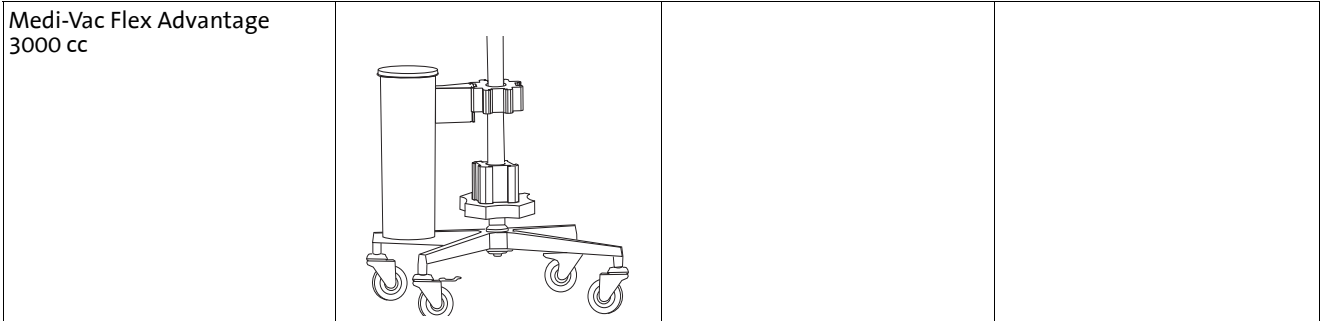
Connect the scale to the pump before turning the system on to ensure the system recognizes the scale.



5.3.1 Scale Set-up

The scale can be equipped with different makes of canisters.

Bemis® 3 liters		DeRoyal®	
Abbott 2 liters		Serres 2 & 3 liters	
Medi-Vac® 3 liters		Medela 3 liters	



NOTE!
Ensure canisters are positioned properly in the respective holders.



NOTE!
Only use canisters with overflow protection.



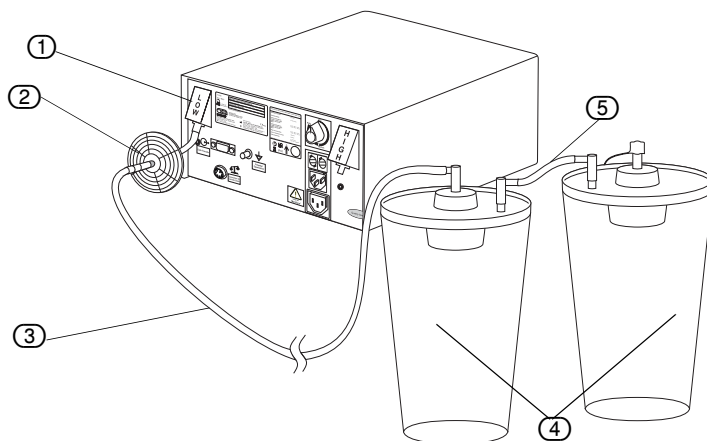
5.3.2 Connecting the Vacuum Tubing

CAUTION!
When using the Aquilex System with MyoSure® or other morcellation systems, the combination of low set pressures and high vacuum pressures may result in a significant loss of intrauterine distension pressure which has the potential to affect the visibility of the surgical field. Conversely, when employing high distension pressures, the deactivation of the MyoSure® or other morcellator system can lead to pressure spikes that can exceed 150 mmHg. These situations may occur for a short time as the system automatically adjusts the flow rate to return to the set intrauterine pressure.

1. Connect vacuum to the suction containers (using vacuum tube with hygiene filter). This is done once during the initial set-up of the system, not prior to each procedure.
 - **Low Vacuum Side (White)**
 - ▶ Connect vacuum tube with white connectors to low vacuum port (1) Figure 5-4. This vacuum pump has a fixed vacuum pressure (~ 225 mmHg).
 - ▶ Use tandem tube (5) Figure 5-4, Low vacuum tube) when two canisters are serially connected to the same vacuum port.

Figure 5-4 Low vacuum tube

- ① Low vacuum port (white)
- ② Hygiene filter
- ③ Vacuum tube
- ④ Canisters
- ⑤ Tandem tube



- **High Vacuum Side (Green)**
 - ▶ Connect vacuum tube set with the green connectors to the high vacuum port (green) (8) in Figure 5-5. This vacuum can be adjusted to a maximum

500 mmHg using adjustment dial.

- Use tandem tube (12) Figure 5-5, High vacuum tube) when two canisters are serially connected to the same vacuum port.

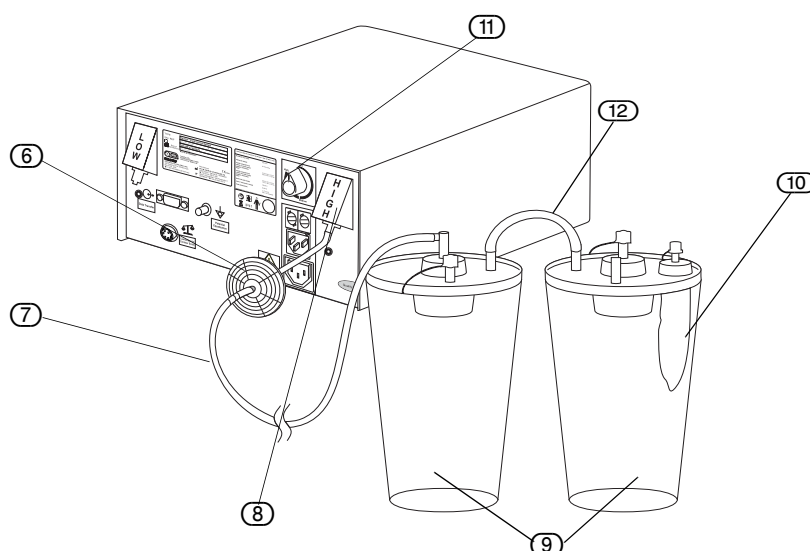
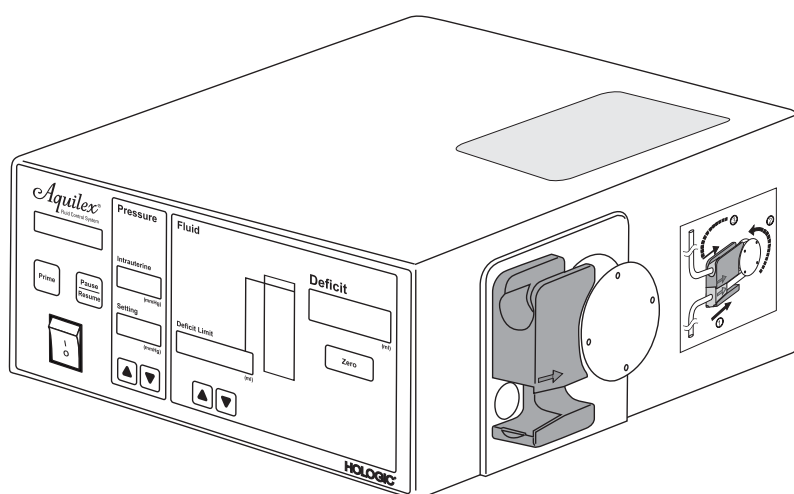


Figure 5-5 High vacuum tube

- ⑥ Hygiene filter
- ⑦ Vacuum tube (green connectors)
- ⑧ High vacuum port (green)
- ⑨ Canisters
- ⑩ Tissue trap (MyoSure® procedures)
- ⑪ Adjustment dial
- ⑫ Tandem tube

5.4 Turning On the Aquilex System



1. Press the ON/OFF switch. The displays and indicators light up and system turns on.
2. The system now performs a self-diagnostic test.
3. If a tube set is in the inflow tube holder when the pump switches on, the **pump display** (Fig. 5-1, Front of Pump ①) shows **Remove Tube Set**. The self-test resumes once the tube set is removed from the roller wheel.
If the system self-test is unsuccessful, the corresponding error messages are displayed. (See Chapter 9, Error and Warning Messages).

The system has successfully completed the self-diagnostic test when a single audible tone is heard. The message **System OK** is displayed for 5 secs followed by the message **Insert Tube Set**.

WARNING!

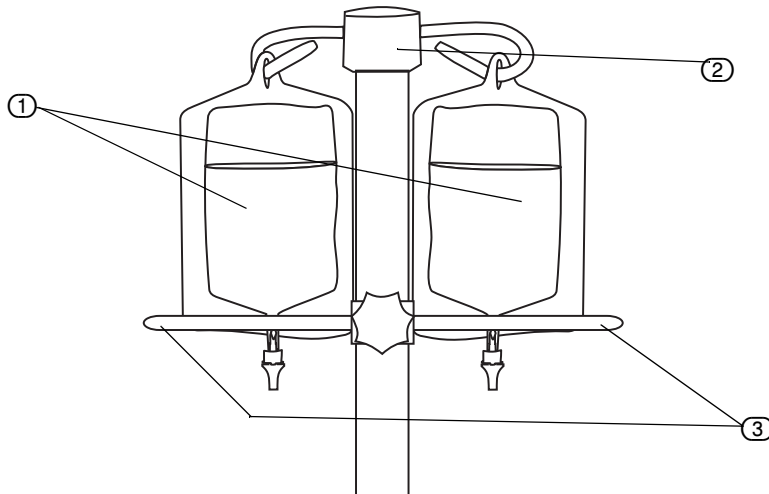
Do not use this system if a defect is suspected or detected during the function check. This also applies to any obvious defects, especially defects on the power plug and power cord.



5.5 Hanging the Fluid Bags

Figure 5-6 Fluid bag suspension

- ① Fluid bags
- ② Pole with bag hooks
- ③ Bag deflector



WARNING!

When performing monopolar hysteroscopic electrosurgery, the distension medium must be electrically non-conductive. Examples include glycine, sorbitol and mannitol. Isotonic saline irrigation fluids may only be used when performing bipolar electrosurgical resective procedures.

Hang one or two fluid bags with distension media appropriate for procedure. (A MyoSure® procedure utilizes one or two 3000 cc saline bags.)



WARNING!

The system is only intended for use with flexible fluid containers. Do not use glass containers as they might break. With rigid containers, fluid cannot flow quickly enough due to the vacuum being generated inside of the containers. Risk of implosion with rigid containers.

5.6 Using Tube Sets

The Aquilex Fluid Control System is designed for use with disposable inflow and outflow tube sets.

Tube set recognition technology

Each inflow tube set is equipped with tube set recognition technology. An RFID transponder detects the type of tubing, whether it has been used, and its reliability automatically. The pump display indicates this information. This eliminates accidental reuse of tubing on more than one patient (see Chapter 5.7, Tubing Overview).



WARNING!

Reprocessing of sterile disposable products

Reuse of inflow or outflow tubing can cause an infection hazard for patients and/or users as well as impair of product functionality. Contamination and/or impaired functionality of the system can cause risk of injury, illness, or death. Do not re-process single-use inflow or outflow tubing.



NOTE!

Comply with hygiene rules when disposing of tubing, fluid collected, and the canisters.

5.7 Tubing Overview

Three different tube sets are necessary to operate the system. The following table lists each type of tube set and its application.

Part Number	Description
AQL-110	Aquilex Fluid Control System Inflow Tube Set
AQL-111	Aquilex Fluid Control System Outflow Tube Set
AQL-112	Complete tube set (Inflow and Outflow) disposable, sterile
AQL-114	Aquilex Fluid Control System High and Low Vacuum Tube Set: re-usable, non-sterile

Table 5-1

5.8 Connecting the Outflow Tubing

CAUTION!

When using the Aquilex System with MyoSure® or other morcellation systems, the combination of low set pressures and high vacuum pressures may result in a significant loss of intrauterine distension pressure which has the potential to affect the visibility of the surgical field. Conversely, when employing high distension pressures, the deactivation of the MyoSure® or other morcellator system can lead to pressure spikes that can exceed 150 mmHg. These situations may occur for a short time as the system automatically adjusts the flow rate to return to the set intrauterine pressure.

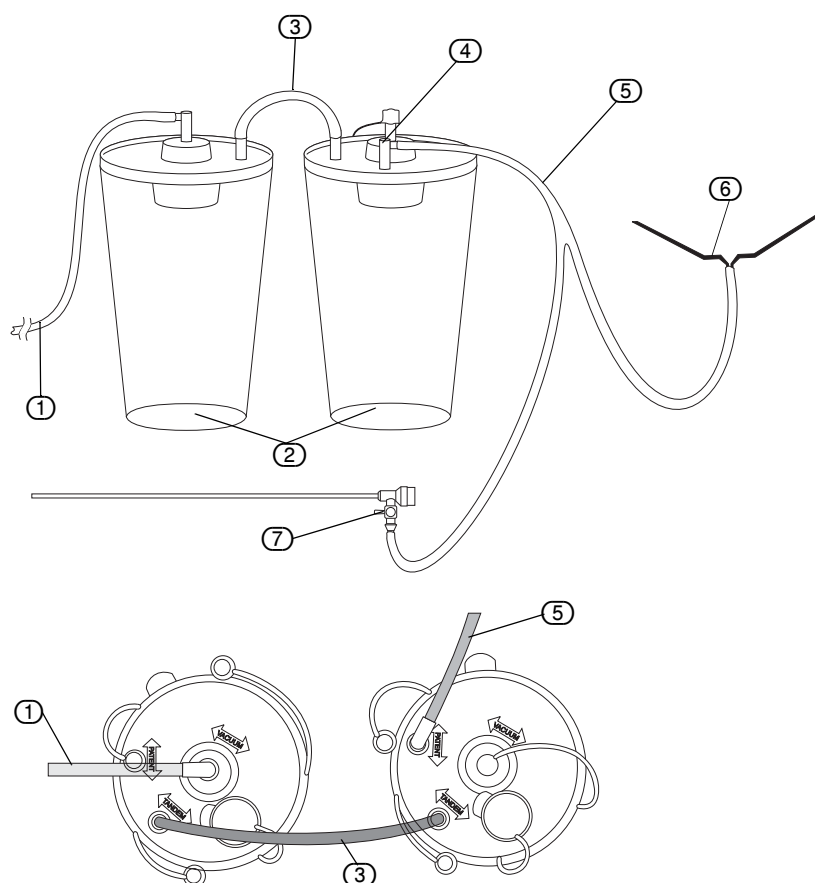


Figure 5-7 Outflow Tubing

- ① To low vacuum port (white)
- ② Canisters
- ③ Tandem tube
- ④ Patient port
- ⑤ Outflow tube set
- ⑥ Drape
- ⑦ Removable Outflow Channel (MyoSure®) or hysteroscope outflow sheath stopcock

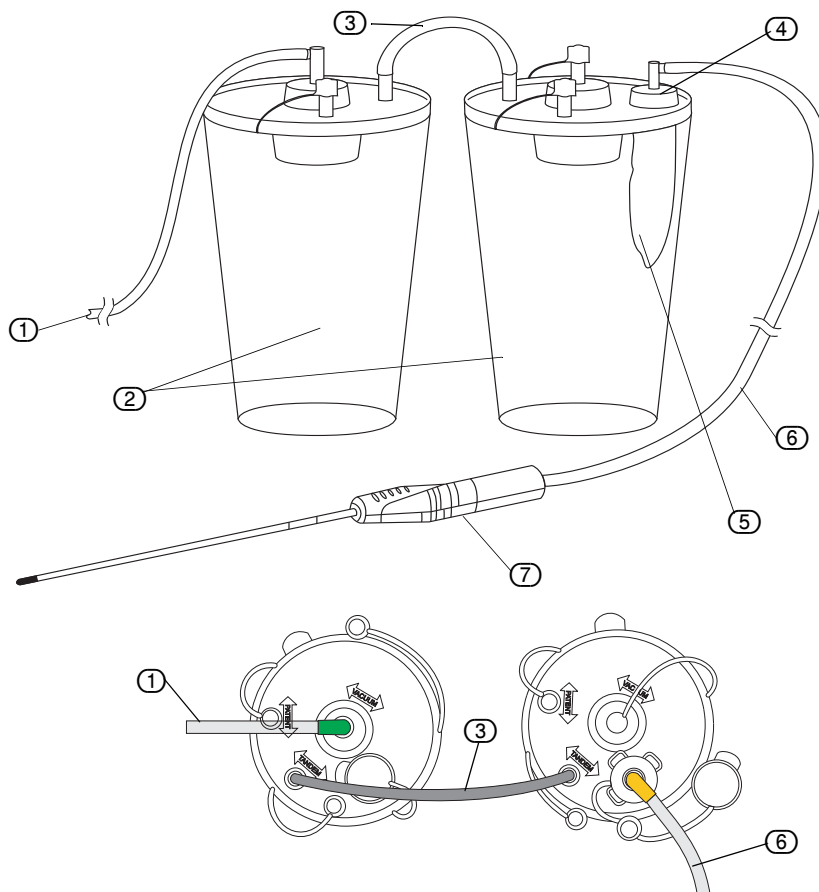
Using Low Vacuum configuration of Figure 5-4, connect outflow tubing (Y-tube) to patient port (4) of second canister. Yellow flexible connector attaches to drape (6). Yellow luer fitting connects to stopcock (7) of Removable Outflow

Channel (MyoSure®) or hysteroscope outflow sheath.

5.8.1 MyoSure® Outflow Connection

Figure 5-8 MyoSure® Connection

- ① To High Vacuum port (green)
- ② Canisters
- ③ Tandem tube
- ④ Specimen tissue port
- ⑤ Tissue trap
- ⑥ MyoSure® vacuum tube
- ⑦ MyoSure® Tissue Removal Device (TRD)



If intrauterine pathology is identified, the MyoSure® TRD can be connected to the Aquilex System as shown in Figure 5-8. The MyoSure® vacuum tube (6) is connected to the tissue trap (5) located in the second canister.

5.9 Inserting the Inflow Tube Set

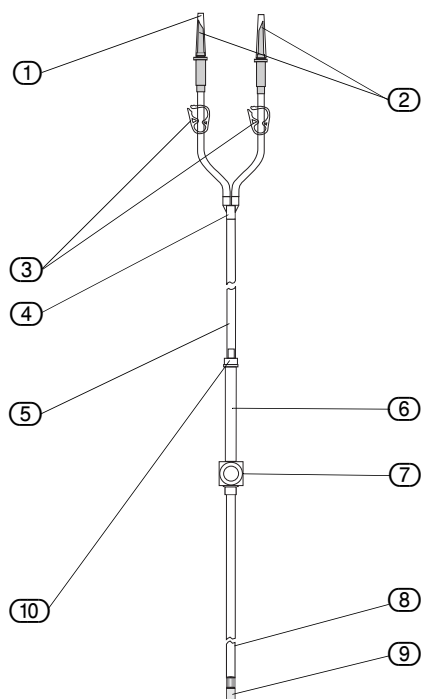


Figure 5-9 Tube set elements

- ① Protective caps
- ② Bag spikes
- ③ Tubing clamps
- ④ Y-connector
- ⑤ Inflow section
- ⑥ Roller wheel section
- ⑦ Pressure chamber with membrane and RFID transponder
- ⑧ Hysteroscope section
- ⑨ Luer lock connector (blue)
- ⑩ Roller wheel connector

(See Figure 5-9, Tube set elements) The inflow tube set consists of three tube sections, a Y-connector (④) and two bag spikes (②). The three tube sections are: roller wheel section (⑥), inflow section (⑤), and hysteroscope section (⑧). The bag spikes (②) are used to connect the tube sections to the bags.

The Luer lock connector (⑨) connects the hysteroscope tube with the hysteroscope.

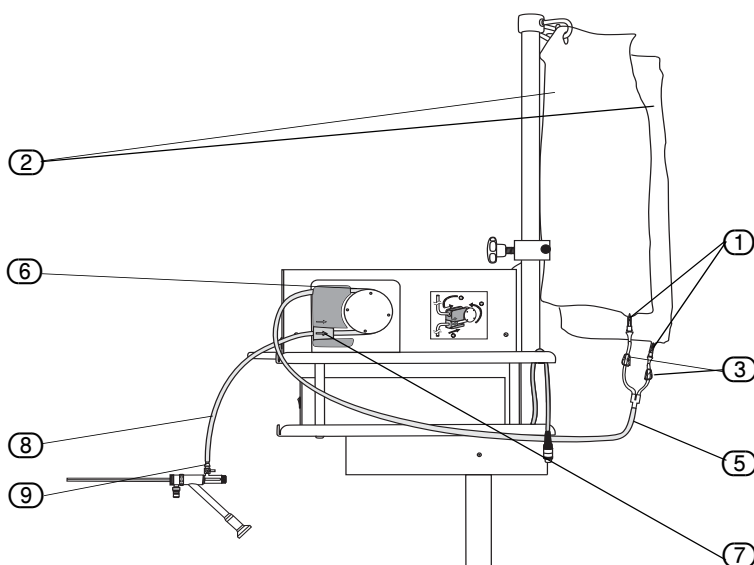


Figure 5-10 Inserting the tube set

- ① Bag spikes
- ② Fluid bags
- ③ Bag clamps
- ⑤ Inflow tube
- ⑥ Roller wheel tube
- ⑦ Pressure chamber with membrane and RFID transponder
- ⑧ Hysteroscope tube
- ⑨ Luer lock connector (blue)

1. Inflow tube set - To be carried out by non-sterile nurse:

- ▶ Open outer packaging of the inflow tube set.
- ▶ A sterile nurse then removes the inner tube set package and opens it.

2. To be carried out by sterile nurse:

- ▶ Keep the blue Luer lock connector (⑨) in the sterile area and hand the tube end with the bag spikes (①) to the non-sterile nurse.

Open outer packaging

Connect to hysteroscope

Insert tube set

- ▶ Connect the blue Luer lock connector (9) with the hysteroscope inflow stopcock. Open stopcock.

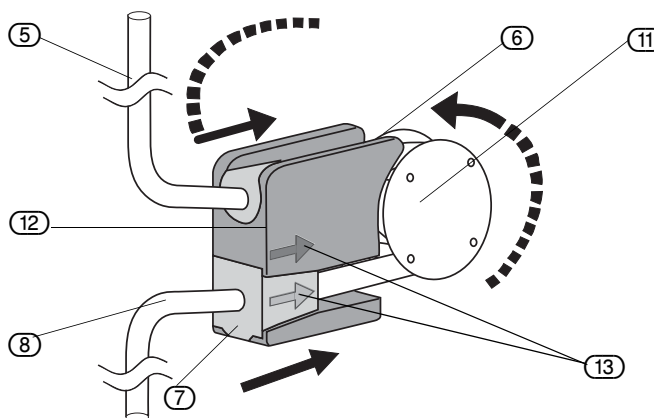
3. To be carried out by non-sterile nurse:

- ▶ Ensure system is turned on.
- ▶ Close the clamps (3) on the inflow tubing below the bag spikes (1).
- ▶ Insert the inflow tube set into the inflow tube holder. Insertion of the roller wheel tube is depicted in Figure 5-11, Positioning the roller wheel tube.
- ▶ Carefully insert the pressure chamber (7) into the lower notch of the inflow tube holder (12) until you feel resistance. Align pressure chamber and inflow tube holder using arrows (see Figure 5-11, Positioning the roller wheel tube).
- ▶ When inserting the roller wheel tube, ensure not to damage the membrane of the pressure chamber. Insert the pressure chamber (7) only if chamber is not pressurized.
- ▶ Place the roller wheel tube (6) around the roller wheel (11).
- ▶ When connecting or removing the tube to or from the irrigation fluid bags, grasp the bag spike at the provided handle. Observe aseptic technique when inserting the spike(s) into the fluid bag(s). The surgeon must select a distension fluid suitable for the type of procedure.

Connect the fluid bags

Figure 5-11 Positioning the roller wheel tube

- (5) Irrigation tube
- (6) Roller wheel tube
- (7) Pressure chamber
- (8) Hysteroscope tube
- (11) Roller wheel
- (12) Inflow tube holder
- (13) Alignment arrows



5.10 Presetting the Intrauterine Pressure

The intrauterine pressure setting can be adjusted while the system is in operation. Use the ▲ and ▼ buttons (Fig. 5-1, Front of Pump). The pressure setting can be adjusted to between 40 to 150 mmHg in steps of 5 mmHg. The intrauterine pressure is shown on the intrauterine pressure display (2).

Intrauterine pressure setting

Safety threshold

When scrolling with the ▲ button (Fig. 5-1, Front of Pump) if the safety threshold of 100 mmHg is reached, an audible tone is emitted. Release the ▲ button for one second and scroll again to set higher values up to 150 mmHg.



CAUTION!

If the intrauterine pressure does not react to an increase in the pressure setting during the procedure, a perforation of the uterine cavity might be the cause. This results in an increased risk of intravasation. Examine the uterine cavity for injuries.

Deficit limit setting

5.11 Setting the Deficit Limit

The deficit limit can be adjusted while the system is in operation. Use the ▲ and ▼ buttons (Fig. 5-1, Front of Pump). The deficit limit can be adjusted to between 600 to 2500 ml in increments of 100 ml. The deficit limit is shown on the deficit limit display (3). The deficit meter is designed to help the user track the deficit volume. The color of the deficit meter changes as the deficit limit is approached. The user set deficit limit is marked with a red LED on the top of the deficit meter.

During the operation as the actual deficit climbs, the LEDs will light up sequentially representing the actual deficit volume until the deficit limit is reached. (See Section **Deficit Limit** in Chapter 6, Safety functions).

5.12 Using the Pump during Operation

- ▶ Open bag clamps (③ Figure 5-10).
- ▶ Fully open hysteroscope inflow stopcock.
- ▶ Press the **Prime** button (⑰ Fig. 5-1).
- ▶ Pump will run for approximately 20 seconds to purge air from tubing and run the Automatic Lumen Calibration.
- ▶ Pump will display **Calibration Running**.

The pump is equipped with an automatic lumen calibration functionality. The system determines the flow resistance of the hysteroscope. This resistance is used to calculate the pump pressure necessary to maintain the pre-set intrauterine pressure. In order to overcome this resistance the pump allows pressure of up to 80 mmHg during calibration. This is indicated in the Intrauterine Pressure display. In case calibration fails due to high resistance it will be repeated allowing pressure of up to 150 mmHg. If it still cannot be completed the pump will show **Prime Fail -Open Stopcock, Clamps**.

Automatic lumen calibration

The automatic lumen calibration starts once the **Prime** button is pressed.

- ▶ Once Automatic Lumen Calibration is completed, pump will beep three times. The pump display will show **Prime Successful Close Stopcock** for 5 secs followed by **System Operating**.
- ▶ Close hysteroscope inflow stopcock to stop fluid flow. Once all fluid has been removed from the drape, zero the deficit display.

NOTE!

The pump continues to operate after automatic lumen calibration is complete. The pump should be stopped by closing hysteroscope inflow stopcock.



NOTE!

Automatic lumen calibration has to be performed each time a different hysteroscope is used during the procedure by pressing the **Prime** button.



- ▶ Open stopcock and guide the hysteroscope with fluid flowing into the uterus.
- ▶ Adjust intrauterine pressure setting as necessary to obtain adequate distension and visualization.
- ▶ After system operation is complete, close the hysteroscope inflow stopcock.
- ▶ Wait until the entire fluid volume in the under-buttock drape and the tube set has been collected into the canisters.
- ▶ Press the **Pause/Resume** button.
- ▶ Record the deficit volume on the deficit display. This is the total fluid volume that was absorbed by the patient.

System Operation

Completing System Operation

WARNING!

Device error: Do not use the Aquilex System if a defect is suspected or detected during the function check. This also applies to obvious and visible defects, especially defects and damage of the power plug and power cord.



5.13 Changing Canisters during Procedure

- ▶ Pause the pump by pressing **Pause/Resume** button. This locks the fluid deficit display number.
- ▶ Remove desired canisters and install new canisters.

Changing canisters during the procedure



- ▶ Reconnect canister tubing.
 - ▶ Press **Pause/Resume** button to resume procedure.
-

CAUTION!

If a filled canister is removed from scale without activating the "Pause/Resume" button, the message "Container Change, Press Resume" will appear, the pump will stop immediately and the deficit display locked to insure an accurate deficit count is maintained. Once the canister exchange is completed, the System is re-started by pressing "Pause/Resume" button.

Total volume displayed

5.14 Total Volume Displayed

If a manual check of fluid deficit is desired, the total fluid volume can be obtained by simultaneously pressing and holding both the up and down arrows (⑩ & ⑪ in Fig. 5-1, Front of Pump) underneath the Fluid Deficit Limit display (③ in Fig. 5-1, Front of Pump). The number in the Deficit Display is the total fluid volume in ml. Once one or both of these buttons is released, the Deficit Display will return to the Fluid Deficit value.

Shut down

5.15 Turning System Off

Press the **ON/OFF** switch to turn pump off. The displays and indicators are no longer illuminated.



WARNING!

Pressing the ON/OFF switch does not disconnect the system from the wall power outlet. This requires pulling the power cord located in the rear of the system.

6 Safety functions

The electronic components continuously monitor the proper function of the system. System malfunctions are indicated with audible warning tones, error messages, and/or the blocking of system functions. A table listing a summary of possible error and warning messages is provided in Chapter 9, Error and Warning Messages.

If the intrauterine pressure exceeds the intrauterine pressure setting by 10 mmHg for longer than 5 seconds, the pressure reduction function is activated. The roller wheel will move forward or backward a few times during the pressure reduction process. If the pressure cannot be reduced, the message **Overpressure/ Open Stopcock** is displayed and three audible tones are emitted.

The message **Maximum Pressure** is displayed and the pump will emit 3 audible tones once the intrauterine pressure exceeds 150 mmHg. The maximum permissible pressure has now been reached.

If the intrauterine pressure exceeds 200 mmHg for longer than 5 seconds, the roller wheel stops and the message **Overpressure/Check Stopcock** is displayed. Three short continuous audible warning tones are continuously emitted until the pressure is reduced. Once the intrauterine pressure falls below 200 mmHg, the audible alarm stops and the pump wheel resumes turning automatically.

If the inflow tube set is not inserted properly over the roller wheel, pressing the **Prime** button results in a short audible tone and **Check Tube Set Installation** is displayed. The roller wheel does not start to turn.

If a malfunction is detected in the pressure measurement electronics, **Sensor Error** is displayed and five short audible tones are emitted. The roller wheel stops turning.

If the maximum permissible weight of the scale is exceeded (65 lbs/30 kg), a continuous audible tone is emitted and **Scale Overloaded Check Scale** is displayed. The warning stops once the excess weight is removed from the scale.

If a container is removed from the scale while the pump is being operated, three short continuous warning tones are emitted and **Container Change, Press Resume** is displayed. The audible warning tone stops once the initial status is restored or the **Pause/Resume** button is pressed.

If the last pre-set intrauterine pressure setting is greater than 80 mmHg, this value is reset to the default value of 80 mmHg.

Each additional deficit increase by 100 ml above the selected deficit threshold triggers 3 audible warning tones that are repeated while the pump continues to operate. The message **Deficit Limit Exceeded** is displayed.

When the deficit rate exceeds 300 ml/min, three audible warning tones are emitted and the message **High Fluid Loss Check Leakage** is displayed. If no obvious source of high fluid loss can be identified, an assessment of potential cervical or uterine perforation should be made.

Five short audible tones are emitted and **Motor Error** is displayed. It is possible that errors can occur in the start up sequence prior to the enabling of the Pump Display. In this situation, the Pump Display will remain blank.

Intrauterine pressure 10 mmHg above pre-set intrauterine pressure setting

Intrauterine pressure > 150 mmHg

Intrauterine pressure > 200 mmHg

Check Tube Set Installation

Errors of the pressure measuring system

Scale overload

Loading/unloading scale while in operation

Pressure setting at restart

Deficit limit

Deficit rate >300 ml/min

Serious system defect

Care and maintenance

7 Care and Maintenance

The service and maintenance of the system and its accessories has to be carried out as per instructions to ensure the safe operation of the system. For the protection of the patient and the operating team, check that the system is complete and functional before each use.

Special care is necessary when servicing, maintaining, and storing the system and its accessories to maintain the functionality of the equipment and any attached devices.

7.1 Cleaning the System

1. Use the **ON/OFF** switch to turn off the system.
2. Remove the power cord.
3. Wipe the surface of the system with a soft cloth moistened with a disinfectant (for example, Meliseptol® rapid). The concentration of the used disinfectant depends on the information provided by the manufacturer of the disinfectant. Make sure moisture does not enter the system.

NOTE!

Do not sterilize the system.

7.2 Authorized Service Technician Maintenance

It is recommended that an authorized service technician inspects and services the system at appropriate intervals to ensure safety and functionality. The **minimum** service interval is two years, depending on frequency and duration of use. If this interval is not maintained, the manufacturer does not assume any liability for the functional safety of the system. A sticker located on the rear panel of the system contains the latest date for the next service or maintenance check.

Ask the service technician for a certificate after he or she has inspected the system or performed any service tasks. This certificate must list:

- type and scope of service,
- date of service,
- name of company performing service
- as well as signature.

7.3 Replacing the Fuse

CAUTION!

Before replacing the fuse, check the values of the fuse to be inserted according to Chapter 10, Technical Data.

The fuse may be defective and is in need of replacement if:

- one or more of the pump displays does not light up,
- the system does not function.

Check whether

- the power cord is properly connected to the power cord connection (Figure 5.2) and to a grounded safety wall outlet,
- the wall outlet has power.

WARNING!

Unplug the power cord from the system before checking the fuse.

The system does **not** have to be opened to replace the fuse.



Two-year maintenance interval

Certification



1. Turn system off.
2. Disconnect system from wall power outlet.
3. The fuse holder is located on the back of the pump, next to the male connection.
4. Remove both fuse holders as depicted in Figure 7-1, using small flathead screwdriver.
5. Pull out the fuse holders.
6. Check the fuses.
7. Insert new fuses. Use only the specified type of fuse (see Chapter 10, Technical Data).
8. Insert the fuse holders.
9. Reconnect the power cord and connect the pump to the wall outlet.

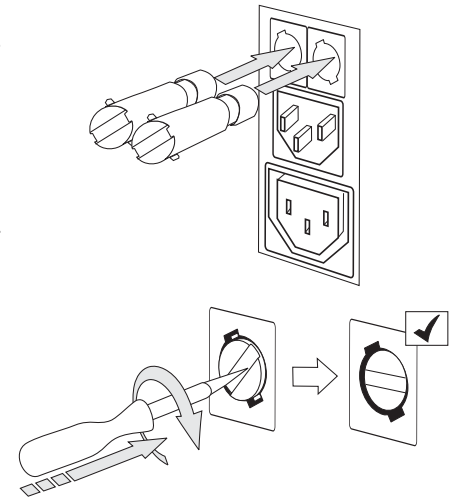


Figure 7-1 Opening the fuse holder

Manufacturer's specification

Inspection tests



8 Annual Inspection

The manufacturer stipulates that qualified personnel or biomedical technicians must regularly test the system to assess its functionality and technical safety. These inspections must be carried out annually. Regular inspections will assist in early detection of possible malfunctions. This helps maintain the system and increases its safety and service life.

The following tests are designed specifically for trained personnel or a biomedical technicians. System operation, functionality, and serviceability are easily checked. Each test conducted must be documented by signing and dating the test log.

WARNING!

If the specified parameters and tolerances are exceeded, the system must be returned to Hologic for evaluation.

8.1 Safety Test

1. Perform a visual inspection. Ensure:
 - the fuse corresponds with the specifications indicated by the manufacturer,
 - labels and stickers on system are legible,
 - the mechanical condition of the system allows for its safe use,
 - the system is clean to ensure proper and safe functionality.
2. Perform the measurement of the ground leakage current (max. 500 μ A) and contact current (max. 100 μ A in normal state and max. 500 μ A on first error) according to IEC 60601-1 / EN 60601-1.
3. Measure protective conductor resistance according to IEC 60601-1 / EN 60601-1. The protective conductor resistance is measured while the system is connected to the power supply. The max. value is 0.2 Ω .

As an alternative, perform safety test according to DIN EN 62353.

8.2 Basic Function Tests

The basic function tests check displays, buttons, and general performance of the system. For this test, you will need:

- Aquilex inflow tube set
- Fluid bags
- Measuring container with marked scale (1 Liter)
- Stop-watch
- Precision weight (e.g., Ohaus 1 kg 49016-11 or 41000-00 or equivalent).

8.3 Scale Test

1. Turn the system on.
2. Once the message **Insert Tube Set** appears, press the **Pause/Resume** button and the **Zero** button simultaneously.
3. **Scale Test** is shown on the pump display.
4. ~~Place a precision weight on the scale (500 g - 2000 g)~~
5. The fluid deficit limit display will display the weight.
6. The acceptable tolerance is ± 20 g.
7. If a greater difference is detected, a service technician has to re-calibrate the scale.
8. Remove weight from scale.
9. Press the **Pause/Resume** button to conclude this test.

Record results in the test log in Section 15.1. Test is successful if results fall within acceptable tolerance limits.

8.4 Flow Rate Test

EN

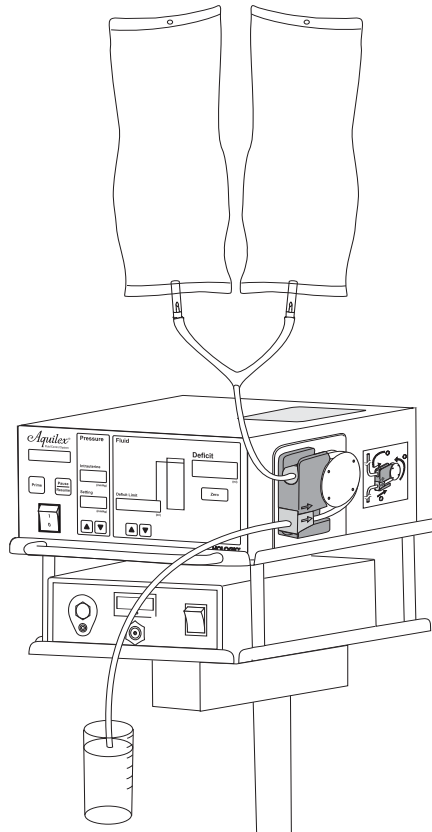


Figure 8-1 Flow rate test

The test set-up is depicted in Figure 8-1, Flow rate test.

Performing flow rate test

1. Turn the system on. (See 5.4, Turning On the Aquilex System)
2. Insert the tube set into pump and close bag clamps.
3. Hang the fluid bags onto the hooks of the bag holder.
4. Spike bags and open bag clamps.
5. Insert hysteroscope tube into measuring container.
6. Set intrauterine pump pressure to 150 mmHg.
7. Press the **Prime** button.
8. The roller wheel starts to turn to purge air from tubing and complete automatic lumen calibration.
9. Once automatic lumen calibration finishes (~20 sec), press **Pause/Resume** button.
10. Empty measuring container.
11. Re-Insert hysteroscope tube into measuring container.
12. Press the **Pause/Resume** button.
13. After one minute, press the **Pause/Resume** button. The measuring container should contain approximately 800 ml of fluid.
14. The acceptable tolerance is ± 25 ml/min.

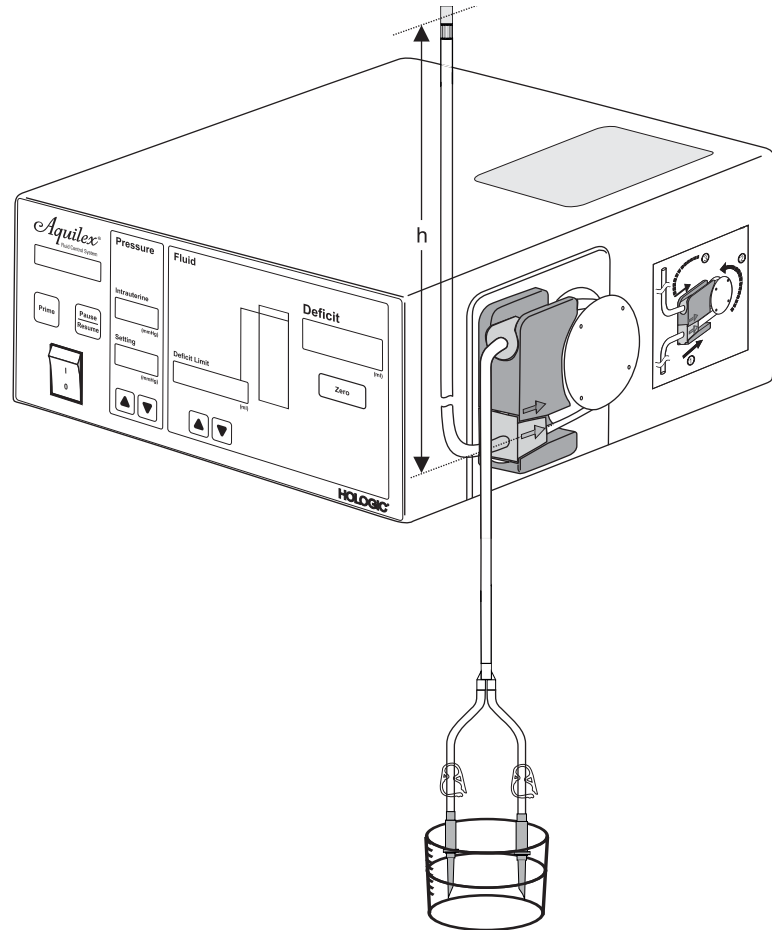
Record results in the test log in Section 15.1. Test is successful if results fall within acceptable tolerance limits.

8.5 Pressure Measuring Test

The test set-up is depicted in Figure 8-2, Set-up of pressure measuring test.

Figure 8-2 Set-up of pressure measuring test

h Height of the water line



The pressure test checks the pressure chamber, pressure sensor, and accurate measurement of pressure to ensure all elements are functioning properly. This test requires an inflow tube set and a canister filled with **water**. The height of the water column (hydrostatic pressure) is used to test the pressure transducer.

1. Place the inflow tube end with the bag spikes into a canister filled with water.
2. Fill the end of the tube set completely with water by starting the pump using the **Prime** button. Let the pump run until the calibration sequence is completed. Press the **Pause/Resume** button to stop the roller wheel. The Intrauterine Pressure display displays 0 mmHg.
3. Close the hysteroscope end of the tube (use finger on luer connector tip).
4. Hold the water level of the end of the hysteroscope tube (h) 12 in [30 cm] above the pressure chamber. The water column provides a hydrostatic pressure load onto the pressure transducer.
5. Release the finger covering the luer connector end of the hysteroscope tube.
6. The intrauterine pressure display should be 20 mmHg (± 5 mmHg).
7. Change the water column height. The value of the intrauterine pressure display should change accordingly.

Record results in the test log in Section 15.1. Test is successful if results fall within acceptable tolerance limits.

8.6 Fluid Deficit Measurement Test

The test setup is depicted in Fig. 8-3, page 31. It is critical that the collection canister be placed **on** the scale as shown in Fig. 8-3.

1. If Basic Function Tests 8.3 to 8.5 have been conducted, skip to step 2. If not, see Basic Function Tests 8.4 steps 1 to 11.
2. "Zero" the fluid deficit display by pressing the **Zero** button (see Fig. 5-1 Item ⑨).
3. Press the **Pause/Resume** button.
4. Let system run for 1 minute. The canister should have ~800 ml of fluid but the fluid deficit display should stay at ~0.
5. The acceptable tolerance is ± 50 .

Record results in the test log in Section 15.1. Test is successful if results fall within acceptable tolerance limits.

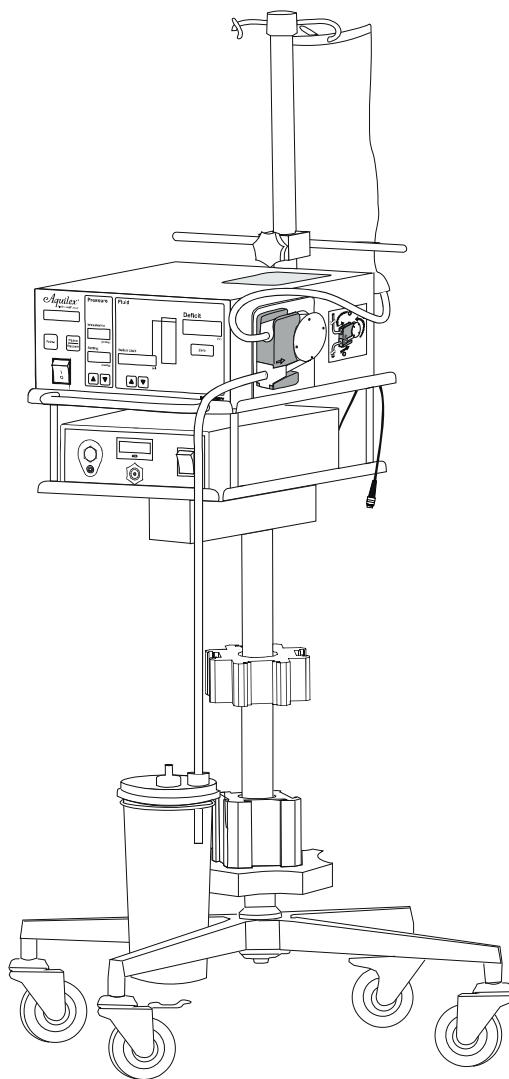


Fig. 8-3 Fluid deficit measurement test setup

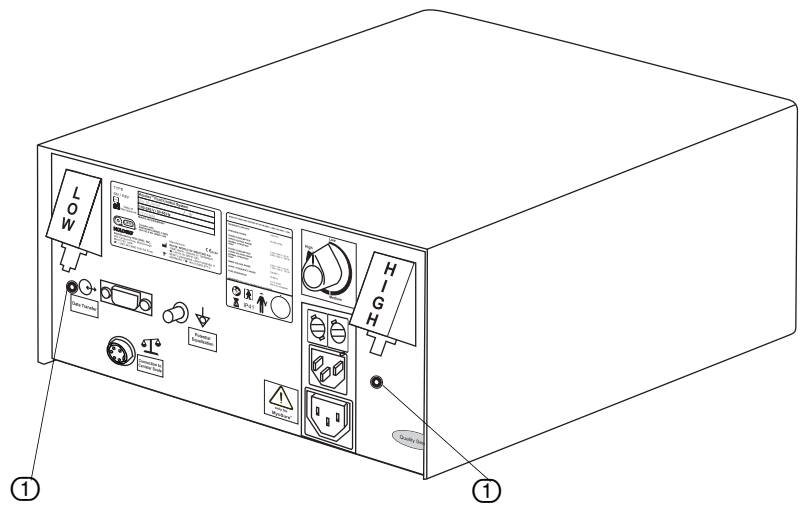
8.7 Vacuum Pump Operational Test

This test is not designed as a performance test to measure the vacuum pressure but only to assess if vacuum pumps are operational.

1. If Basic Function Tests 8.3 to 8.5 have been conducted, skip to step 2. If not, see Basic Function Tests 8.4 steps 1 to 9.
2. Check canisters to be sure at least one port is open.
3. Press the **Pause/Resume** button.
4. Place a finger adjacent to one or both of the gold exhaust ports (Fig. 8-4, ①) on the back of the pump and feel for air flow.

Record results in the test log in Section 15.1. Test is successful if air flow is observed.

Fig. 8-4 Vacuum pump exhaust ports



9 Error and Warning Messages

Display messages are indicated visually on the pump display, as well as audibly. Audible tones to indicate warnings or operation updates (audible tones) are emitted a certain number of times.

Pump Display Message	Pump Audible Tone	Instructions
Check Tube Set Installation	1 audible tone	Remove and re-insert tube set. If message recurs, switch to a new tube set.
Tube Set Over Usage Limits	1 audible tone	Tube set recognition function indicates tube set has been used already. Insert new tube set.
Check Flow Path, Stopcock, Clamps	3 audible tones	Flow path is blocked. Check that bag clamps & hysteroscope stopcock are open. Check that tube set is free of obstructions.
Incorrect Tube Set	1 audible tone	Replace tube set. Tube set does not match type necessary for Aquilex System.
Pump Paused, Press Resume	1 audible tone	"Pause/Resume" button was activated. Hit "Pause/Resume" button again to continue operation.
Container Change, Press Resume	3 audible tones	Removal of canister without activating. Pause button. Insert empty canister and hit "Pause/Resume" button.
Overpressure Open Stopcock	3 audible tones	Most commonly triggered when hysteroscope stopcock is closed while pump is operating at peak flow rate. Open hysteroscope stopcock or other occlusion to relieve pressure.
Overpressure Check Stopcock	5 tones repeatedly continuously until pressure reduced	Pressure has exceeded 200 mmHg safety limit and must be reduced. Most probable cause is hysteroscope being closed while pump was operating at peak flow rate. Open inflow stopcock on hysteroscope or obstruction that is pinching inflow tube set.
Maximum Pressure	No audible tone	The message Maximum pressure is displayed if the intrauterine pressure exceeds 150 mmHg.
Deficit Limit Reached	3 audible tones	Physician must respond appropriately.
Deficit Limit Exceeded	3 audible tones	Physician must respond appropriately. Conduct manual deficit assessment, if necessary.
Pressure Threshold	1 audible tone	Pressures exceeding 100 mmHg are not usually required for hysteroscopy. Diligent monitoring of fluid deficit is recommended.
Connect Scale Restart System	3 audible tones	Check scale connection. Reconnect scale and restart device. If message recurs, contact Hologic.
Remove Tube Set for System Check	1 audible tone	System check must be performed with tube set removed from the roller wheel assembly. Remove tube set and wait for audible tone and display to indicate "Insert Tube Set."
Prime Fail -Open Stopcock, Clamps	3 audible tones	Check bag clamp(s) and hysteroscope inflow stopcock are open. Hit "Prime" button to restart.
High Fluid Loss Check Leakage	3 audible tones	Physician must respond appropriately. Conduct manual deficit assessment, if necessary.

Error and Warning Messages

EN

Pump Display Message	Pump Audible Tone	Instructions
Scale Overloaded Check scale	3 audible tones	Scale weight exceeds 65 lbs. Weight on scale must be reduced. System function will resume once excess weight is removed.
Communication Error	5 audible tones	Contact Hologic Technical Support.
Calibration Error	5 audible tones	Contact Hologic Technical Support.
Sensor Error	5 audible tones	Contact Hologic Technical Support.
Motor Error	5 audible tones	Contact Hologic Technical Support.
Low Vac Failed Use Alternative	3 audible tones	A substitute low pressure vacuum source is necessary to continue procedure. Contact Hologic Technical Support.
High Vac Failed Use Alternative	3 audible tones	A substitute high pressure vacuum source is necessary to continue procedure. Contact Hologic Technical Support.
Vac Systems Out Use Alternative	3 audible tones	Substitute vacuum sources are necessary to continue the procedure. Contact Hologic Technical Support.

10 Technical Data

Model or type designation		AQL-100		
Mains voltage range [V]		100-240 V		
Supply frequency range [Hz]		50-60 Hz		
Fuse designation		2x T 3.15 AH, 250 V, UL- recognized		
Power consumption		Current [A]	Voltage [V]	Power consumption [VA/W]
Upper voltage range				
	Normal operation	0.19 A	240 V	45 VA
	Peak	0.69 A	240 V	165 VA
Lower voltage range				
	Normal operation	0.52 A	100 V	52 VA
	Peak	1.70 A	100 V	170 VA
Protection class (I, II, III)		I		
Application part type (B, BF, CF)		Designed to work within a BF isolated system		
Defibrillator protected (yes/no)		No		
Protection type (IP code)		IP41 (Pump unit), IP21 (Scale)		
Classification (I, IIa, IIb, III) acc. to Appendix IX of European MDD		IIb		
Conformity with the following standards:		EN 60601-1:2006 / IEC 60601-1:2005 EN 60601-1-2:2007 / IEC 60601-1-2:2007		
Operating conditions		10 to 40 °C / 50 to 104 °F 30 to 75 % rel. humidity 70 to 106 kPa air pressure 3000 m max. altitude above sea level for device use		
Use possible with flammable anesthetic gases		This system is not designed for use with flammable anesthetic agents (Class AP) or flammable anesthetic agents with oxidants (Class APG).		
Storage and transportation conditions		-20 to +70 °C / -4 to +158 °F 10 to 90 % rel. humidity 70 to 106 kPa air pressure		
Max. sound level:		<80 dB(A)		
Maximum load		65 lbs/30 kg		
Adjustable values				
	Pressure range [mmHg]	40-150 mmHg		
Measurement range				
	Flow [ml/min]	0-800 ml/min		
	Pressure [mmHg]	0-500 mmHg		
	Deficit [ml]	-995/+9995		
Accuracy repeatability				
	Flow [ml/min]	± 5 ml/min		
	Pressure [mmHg]	±2 mmHg		
	Deficit [ml]	±10 ml		
Dimensions		Width x Height x Depth [in], [mm] 12 in x 6 in x 12 in / 300 mm x 140 mm x 300 mm (AQL-100P), 26 in x 52 in x 26 in / 670 mm x 1320 mm x 670 mm (AQL-100CS)		
Weight [lbs], [kg]		13 lbs [5.8 kg] (AQL-100P), 23 lbs [10.5 kg] (AQL-100CS)		

Technical Data

EN

Accuracy		
	Flow [% measured value]	±7 %
	Pressure [mmHg]	±7.5 mmHg
	Deficit [% measured value]	±10 %
Interfaces:		
	Signal IN/OUT components	1x scale port (flanged socket/5-pin round connector socket/ RS232) 1x service port (RS232 socket DSUB9/RS232)
	Mains connection	IEC-60320-1 C14

11 Guidelines and manufacturer's statement - electromagnetic compatibility

11.1 Impact of Mobile and Portable HF Communication Devices

The emission of high frequency energy by mobile communication devices may impact the function of the electrical medical device. Operating such devices (e.g., cell phones, GPS phones) in the proximity of the electrical medical device is prohibited.

11.2 Electrical Connections



Do not touch electrical connections identified with this warning label. Do not establish a connection between these plugs and sockets without first implementing precautionary ESD (electrostatic discharge) measures.

The following are ESD precautionary measures:

- Apply potential equalization (PE), if available on your equipment, to all devices to be connected.
- Use only the listed equipment and accessories.

Employees have to be informed about and trained in ESD precautionary measures.

ESD (Electrostatic Discharge) precautionary measures

11.3 Guidelines and Manufacturer’s Statement – Electromagnetic Emissions

The Aquilex Fluid Control System is intended for use in the electromagnetic environment specified below. The user/operator of the Aquilex Fluid Control System should make sure the device is operated within such an environment.

Emitted interference measurements	Compliance	Electromagnetic environment guidelines
HF emission according to CISPR 11	Group 1	The Aquilex Fluid Control System uses HF energy solely for its internal functions. Therefore, the camera's HF emission is very low and it is unlikely that devices in close proximity will experience interference.
HF emission according to CISPR 11	Class B	The Aquilex Fluid Control System is suitable for use in all facilities including those in residential areas and those directly connected to a public utility network supplying buildings used for residential purposes as well.
Emission of harmonic oscillations according to IEC 61000-3-2	Class A	
Emission of voltage fluctuations / flickers according to IEC 61000-3-3	In compliance	


11.4 Guidelines and Manufacturer's Statement - Electromagnetic Interference Immunity

The Aquilex Fluid Control System is intended for use in an electromagnetic environment as described below. The user/operator of the Aquilex Fluid Control System should make sure the device is operated within such an environment.

Electromagnetic interference immunity tests	Test level	Compliance	Electromagnetic environment guidelines
Discharge of static electricity (ESD) according to IEC 61000-4-2	± 6 kV contact discharge ± 8 kV air discharge	In compliance	Floors should be made from wood or concrete or covered with ceramic tiles. If the floor covering consists of synthetic material, the relative humidity should be at least 30%.
Electrical fast transients / bursts according to IEC 61000-4-4	± 2 kV for AC power lines ± 1 kV for input and output lines	In compliance	The quality of the supply voltage should be the same as the voltage of a typical business or hospital environment.
Surges according to IEC 61000-4-5	± 1 kV normal mode voltage, ± 2 kV common mode voltage	In compliance	The quality of the supply voltage should be the same as the voltage of a typical business or hospital environment.
Blackouts, brown-outs, and fluctuations of the power supply according to IEC 61000-4-11	< 5% U_T^* (> 95% dip in the U_T) for 1/2 cycle	In compliance	The quality of the supply voltage should be the same as the voltage of a typical business or hospital environment. If the user/operator of system requires the continuation of functionality after power interruptions/disruptions, it is recommended to supply the device with power from an uninterruptible power supply.
	40% U_T (60% dip in the U_T) for 5 cycles.		
	70% U_T (30% dip in the U_T) for 25 cycles.		
	< 5% U_T (> 95% dip in the U_T) for 5 s		
Supply frequency magnetic field (50/60 Hz) according to IEC 61000-4-8	3 A/m	In compliance	Magnetic fields of the mains power frequency should comply with the typical values of business and hospital environments.

*Note: U_T is the mains alternating voltage before applying the test levels.

11.5 Guidelines and Manufacturer's Statement - Electromagnetic Interference Immunity

Electromagnetic interference immunity tests	Test level	Compliance	Electromagnetic environment guidelines
Conducted HF interference quantities according to IEC 61000-4-6	3 V _{eff} 150 kHz to 80 MHz	In compliance	<p>Portable and mobile wireless devices should not be used in closer proximity to the Aquilex Fluid Control System (including cables/lines) than the recommended safety distance calculated based on the transmitting frequency and the applicable formula. Recommended safety distance:</p> <p>$d = 1.2\sqrt{P}$ for 150 KHz to 80 MHz</p> <p>$d = 1.2\sqrt{P}$ for 80 MHz to 800 MHz</p> <p>$d = 2.3\sqrt{P}$ for 800 MHz to 2.5 GHz</p> <p>With P as the rated output of the transmitter in watts [W] according to the information provided by the manufacturer of the transmitter and d as recommended safety distance in meters [m].</p> <p>The field strength of stationary transmitters for all frequencies tested on site ^a should be lower than the concordance level. ^b</p> <p>Interference is possible in the proximity of devices featuring the following pictograph.</p> 
Radiated HF interference quantities according to IEC 61000-4-3	3 V/m 80 MHz to 2.5 GHz	In compliance	

Note 1: The higher frequency range applies for 80 and 800 MHz.

Note 2: These guidelines are probably not realizable in all cases. The distribution and spread of electromagnetic quantities differs depending on the absorption and reflection of buildings, objects, and people.

^a The field strength of stationary transmitters such as base stations of wireless phones and cell phones, ham radio operators, AM and FM radio and TV stations can theoretically not always determined in advance. A study of the installation site should be considered to determine the electromagnetic environment concerning the stationary transmitter. If the measured field strength at the proposed Aquilex Fluid Control System installation and operation site exceeds the concordance levels listed above, the Aquilex Fluid Control System should be monitored to document proper functionality and operation as intended. If unusual performance characteristics are observed, additional measures may be required such as changing orientation or the location of the Aquilex Fluid Control System.

^b The field strength should be less than 3 V/m for the frequency range of 150 kHz to 80 MHz.

11.6 Recommended safety distances between portable and mobile HF telecommunications devices and the Aquilex Fluid Control System

The Aquilex Fluid Control System is intended for use in an electromagnetic environment where HF interferences are controlled. The user/operator of the Aquilex Fluid Control System can contribute to lowering electromagnetic emissions by complying with the minimum distance between portable and mobile HF telecommunications devices (transmitters) and the Aquilex Fluid Control System - depending on the output power of the communication device listed below.

Rated output of the transmitter [W]	Safety distance based on the transmitting frequency [m]		
	150 kHz to 80 MHz $d = 1.2\sqrt{P}$	80 MHz to 800 MHz $d = 1.2\sqrt{P}$	800 MHz to 2.5 GHz $d = 2.3\sqrt{P}$
0.01	0.12	0.12	0.23
0.1	0.38	0.38	0.73
1	1.2	1.2	2.3
10	3.8	3.8	7.3
100	12	12	23

The safety distance d in meters [m] for transmitters with a max. rated output not listed in the table above can be calculated by applying the corresponding formula in the respective column. P is the max. rated output of the transmitter in watts [W] according to the information provided by the manufacturer of the transmitter.

Note 1: The higher frequency range applies to 80 and 800 MHz.

Note 2: These guidelines are probably not realizable in all cases. The distribution and spread of electromagnetic quantities differs depending on the absorption and reflection of buildings, objects, and people.

12 Accessory List

The following accessories are available:

Item	Order No.
Aquilex Fluid Control System Complete Tube Set (Inflow and Outflow)	AQL-112
Aquilex Fluid Control System Vacuum Tube Set (high and low)	AQL-114
Aquilex Fluid Control System Canister Rings	AQL-200
Aquilex Fluid Control System MyoSure® Power Cord	AQL-213
Aquilex Fluid Control System Power Cord (US)	AQL-215
Aquilex Fluid Control System Power Cord (UK)	AQL-216
Aquilex Fluid Control System Power Cord (EU)	AQL-217

13 Warranty Information

Hologic warrants to the original purchaser of the Aquilex Fluid Control System that it shall be free of defects in material and workmanship when used as intended under normal surgical conditions and in conformance with its instructions for use and maintenance instructions. The obligation of Hologic under this warranty shall be limited to the repair or replacement, each at no charge, at the option of Hologic within one year from the date of purchase. Alternatively, Hologic may elect to repay or credit the original purchaser an amount equal to the purchase price of the defective equipment.

THIS WARRANTY IS MADE IN LIEU OF ALL OTHER WARRANTIES EXPRESSED OR IMPLIED INCLUDING THE WARRANTIES OF MERCHANTABILITY AND FITNESS FOR USE AND ALL OTHER OBLIGATIONS AND LIABILITIES ON THE PART OF HOLOGIC. HOLOGIC'S ENTIRE WARRANTY RESPONSIBILITY IS EXPRESSLY LIMITED TO REPAIR OR REPLACEMENT (AT HOLOGIC'S OPTION AND IN THE FORM ORIGINALLY SHIPPED) OF PRODUCT OR CORRECTION OF SERVICE SUBJECT TO ANY CLAIM, OR, AT HOLOGIC'S ELECTION, REPAYMENT OF, OR CREDITING CUSTOMER WITH, AN AMOUNT EQUAL TO THE HOLOGIC PRICE, FEE OR CHARGE THEREFOR. SUCH LIMITED WARRANTY IS GIVEN SOLELY TO THE ORIGINAL PURCHASER AND IS NOT GIVEN TO, NOR MAY IT BE RELIED UPON BY, ANY THIRD PARTY, INCLUDING, WITHOUT LIMITATION, CUSTOMERS OF PURCHASER. THIS WARRANTY IS VOID UPON TRANSFER OF PRODUCT BY PURCHASER TO ANY ENTITY WHO HAS LESS THAN FIFTY (50) PERCENT OWNERSHIP IN THE PRODUCT. THIS WARRANTY SHALL NOT APPLY TO AN AQUILEX SYSTEM OR TO THE AQUILEX FLUID CONTROL SYSTEM WHICH HAS BEEN SUBJECT TO ACCIDENT, NEGLIGENCE, ALTERATION, ABUSE, OR MISUSE, OR THAT HAS BEEN REPAIRED, MOVED, OR ALTERED BY ANYONE OTHER THAN AN AUTHORIZED HOLOGIC SERVICE PERSON. HOLOGIC MAKES NO WARRANTY WHATSOEVER WITH REGARD TO ACCESSORIES OR PARTS USED IN CONJUNCTION WITH THE AQUILEX FLUID CONTROL SYSTEM NOT SUPPLIED AND/OR MANUFACTURED BY HOLOGIC. THE TERM "ORIGINAL PURCHASER", AS USED IN THE WARRANTY, SHALL BE DEEMED TO MEAN THAT PERSON OR ORGANIZATION AND ITS EMPLOYEES, IF APPLICABLE, TO WHOM THE AQUILEX SYSTEM WAS SOLD BY HOLOGIC.

Technical Support and Product Return Information

Contact Hologic Technical Support if the Aquilex Fluid Control System fails to operate as intended. If product is to be returned to Hologic for any reason, Technical Support will issue a Returned Materials Authorization (RMA) number. Return Aquilex System according to the instructions provided by Technical Support. Be sure to clean the Aquilex System with a clean damp cloth and germicide or isopropyl alcohol before returning it and include all accessories in the box with the returned unit.

Hologic and its distributors and customers in the European Community are required to comply with the Waste Electrical and Electronic Equipment (WEEE) Directive (2002/96/EC). Hologic is dedicated to meeting country specific requirements related to the environmentally sound treatment of its products. Hologic's objective is to reduce the waste resulting from the disposal of its electrical and electronic equipment. Hologic realizes the benefits of subjecting such WEEE to potential reuse, treatment, recycling or recovery to minimize the amount of hazardous substances entering the environment. Hologic customers in the European Community are responsible for ensuring that medical devices marked with the following symbol, indicating that the WEEE Directive applies, are not placed into a municipal waste system unless authorized to do so by local authorities.



Contact Hologic Technical Support to arrange for proper disposal of the Aquilex System in accordance with the WEEE Directive.

Hologic Technical Support

United States and Canada:

Phone: 1.800.442.9892 (toll-free) or 1.508.263.2900

Fax: 1.508.229.2795

Authorized European Representative:

Phone: +32 2 255 17 74

14 Glossary

Term	Statement
Embolism	Sudden capillary blockage due to embolus
Flow rate	Quantity (in ml) of irrigation fluid flowing through tube set per minute
Hypervolemia	An increased volume of circulating blood
Hyponatremia	A low concentration (< 130 mmol/l) of sodium in the patient's bloodstream
Hysteroscope	Endoscope to look inside the uterus
Intrauterine pressure	Pressure in uterine cavity
Intravasation	Entry of foreign matter into a blood vessel
Contamination Soiling	Pollution of rooms, water, foods, objects, or persons due to microorganisms or radioactive materials, biological poisons or chemical agents
Contraindication	Circumstances (e.g., age, pregnancy, certain illness, medication) prohibiting the use of an otherwise indicated measure (contrary to an indication)
Saline	Isotonic saline solution, i.e., one liter (l) contains 9.0 grams of sodium chloride.
TUR syndrome	Transurethral Resection Syndrome

15 Appendix

15.1 Test Log

Date	Tests Performed	Results	Comment	Signature

Index**A**

Authorized service technician 4

C

Care and maintenance 4, 26

Certification 26

Connecting the fluid bags 22

Connection to the wall outlet 11

Contraindications 5

D

Deficit rate >300 ml/min 25

E

ESD (Electrostatic Discharge) precautionary measures 37

Exclusion of liability 4

F

Federal Law 4

G

Grounding contact 11

I

Indication for use 5

Initial system set-up 11

Insert tube set 22

Inspection tests 28

Intended use 4

L

Loading/unloading scale while in operation 25

M

Manufacturer's specification 28

O

Only for U.S. operators 11

Open outer packaging 21

P

Performing basic function test 29

Potential equalization 11

Precautionary measures 11

Precise balancing 15

Pressure limitation at restart 25

Pressure measuring and regulating 10

S

Safety threshold 22

Scale capacity 15

Scale overload 25

Serious system defect 25

Subject to technical changes 3

T

Technical application scope of the device 10

Tube set recognition technology 18

W

Waste management 4

Inhaltsverzeichnis

1 Wichtige Anwendungshinweise..... 3

2 Sicherheitshinweise..... 4

3 Verwendungszweck..... 5

3.1 Warnungen und Vorsichtsmaßnahmen 5

3.1.1 Gefahren 5

3.1.2 Vorsichtsmaßnahmen 10

3.2 Beschreibung des Aquilex Fluid Control Systems 10

4 Erster Systemaufbau 12

4.1 Vorbereitung des Systems 12

4.2 Systemaufbau 13

5 Bedienung des Systems 14

5.1 Vorderseite der Pumpe 14

5.2 Rückseite der Pumpe 14

5.3 Ständer mit Waage 15

5.3.1 Einstellung der Waage 16

5.3.2 Vakuumschlauch anschließen 17

5.4 Aquilex-System einschalten 18

5.5 Flüssigkeitsbeutel aufhängen 19

5.6 Schlauchsets verwenden 19

5.7 Übersicht über die Schläuche 20

5.8 Outflow-Schlauchset anschließen 20

5.8.1 MyoSure® Abflussanschluss..... 22

5.9 Einlegen des Inflow-Schlauchsets 23

5.10 Vorwahl des intrauterinen Soll-Drucks 24

5.11 Defizitgrenze einstellen 25

5.12 Einsatz der Pumpe während einer Operation 25

5.13 Behälter während des Eingriffs wechseln 26

5.14 Angezeigtes Gesamtvolumen 26

5.15 Ausschalten des Systems 26

6 Sicherheitsfunktionen 27

7 Pflege und Wartung..... 28

7.1 Reinigung des Systems 28

7.2 Wartung durch den autorisierten Servicetechniker 28

7.3 Wechseln der Sicherung..... 28

8 Jährliche Inspektion 30

8.1 Sicherheitstest 30

8.2 Grundfunktionstests 30

8.3 Test der Waage..... 30

8.4 Test der Flowrate 31

8.5 Test der Druckmessung 32

8.6 Test der Messung des Flüssigkeitsdefizits 33

8.7 Test der Vakuumpumpe..... 34

9 Fehler- und Warnmeldungen..... 35

10 Technische Daten 37

11 Anweisung und Herstellererklärung - Elektromagnetische Verträglichkeit 39

11.1 Einfluss mobiler und tragbarer HF-Kommunikationseinrichtungen 39

11.2 Elektrische Anschlüsse..... 39

11.3 Leitlinien und Herstellererklärung / Elektromagnetische Aussendungen 40

11.4 Leitlinien und Herstellererklärung / Elektromagnetische Störfestigkeit 41

11.5 Leitlinien und Herstellererklärung / Elektromagnetische Störfestigkeit 42

11.6 Empfohlene Schutzabstände zwischen tragbaren und mobilen HF-Telekommunikationsgeräten und Aquilex Fluid Control System 43

12 Zubehörliste 44

13 Informationen zur Gewährleistung..... 45

14 Glossar..... 47

15 Anhang 48

15.1 Testprotokoll 48

Index..... 49

1 Wichtige Anwendungshinweise

Lesen Sie das Handbuch gründlich und informieren Sie sich über Bedienung und Funktionsweise des Aquilex® Fluid Control System (Aquilex System) und des Zubehörs vor dem Einsatz des Gerätes im Operationsraum. Wenn Sie die Hinweise in diesem Handbuch nicht beachten, kann dies

- bis hin zu lebensbedrohlichen Verletzungen des Patienten führen,
- zu schweren Verletzungen des OP-Teams oder des Pflege- bzw. Servicepersonals führen oder
- zu Beschädigungen bzw. Ausfall von System und Zubehör führen.

Der Hersteller behält sich das Recht vor, dass Abbildungen und technische Daten durch Weiterentwicklungen der Produkte geringfügig von dem gelieferten Produkt abweichen können.

Die Absätze, die mit den Begriffen GEFÄHR, ACHTUNG und HINWEIS gekennzeichnet sind, haben eine besondere Bedeutung. Lesen Sie diese Absätze mit großer Aufmerksamkeit.

Technische Änderungen vorbehalten

Zur Beachtung

GEFÄHR!

Die Sicherheit des Patienten oder Anwenders ist gefährdet. Beachten Sie diese Warnung, um eine Verletzung von Patient oder Anwender zu vermeiden.



ACHTUNG!

Warnungen deuten Risiken für das System an. Beachten Sie diese Warnung, um eine Beschädigung des Systems zu vermeiden.



HINWEIS!

Hinweise enthalten spezielle oder zusätzliche Informationen, um Anweisungen zu verdeutlichen.



Amerikanisches Bundesrecht (nur US-Markt)

Haftungsausschluss

2 Sicherheitshinweise

Achtung: Nach amerikanischem Recht darf das Gerät nur von einem Arzt oder auf Anordnung eines Arztes erworben werden.

Hologic übernimmt keine Haftung für unmittelbare Schäden oder Folgeschäden und der Garantieanspruch erlischt, wenn

- das System und/oder das Zubehör unsachgemäß verwendet, aufbereitet oder gewartet werden
- Anweisungen im Handbuch nicht beachtet werden,
- nicht autorisierte Personen Reparaturen, Einstellungen oder Änderungen an System oder Zubehör durchführen,
- nicht-autorisierte Personen das System öffnen,
- die vorgeschriebenen Inspektions- und Wartungsintervalle nicht eingehalten werden.

Das Aushändigen von technischen Unterlagen von Hologic bedeutet keine Autorisierung zu Reparaturen, Einstellungen oder Änderungen an System oder Zubehör.

Autorisierte Servicetechniker

Nur autorisierte Servicetechniker dürfen Reparaturen, Justagen oder Änderungen an System oder Zubehör durchführen und das Servicemenü benutzen. Zuwiderhandlungen führen zum Ausschluss der Haftung durch den Hersteller. Autorisierte Servicetechniker können ausschließlich vom Hersteller ausgebildet und zertifiziert werden.

Bestimmungsgemäßer Gebrauch

Das System darf nur entsprechend seinem bestimmungsgemäßen Gebrauch benutzt werden.

Pflege und Wartung

Die vorschriftsgemäße Pflege und Wartung von System und Zubehör ist unbedingt erforderlich, um einen sicheren Betrieb zu gewährleisten. Prüfen Sie daher Funktion und Vollständigkeit vor jeder Anwendung zum Schutz von Patient und OP-Team.

Entsorgung



In der Europäischen Gemeinschaft bedeutet dieses Symbol, dass von elektrischen und elektronischen Geräten stammender Abfall nicht im ungetrennten Hausmüll entsorgt werden darf, sondern gesondert gesammelt werden muss. Wenden Sie sich bezüglich weiterer Informationen bitte an Hologic oder an ein entsprechend befugtes Entsorgungsunternehmen.

3 Verwendungszweck

Das Aquilex® Fluid Control System dient der Aufdehnung des Uterus durch Einspülung von Flüssigkeiten für diagnostische und operative Hysteroskopie sowie der Überwachung des Volumenunterschiedes zwischen der in den Uterus eingespülten Flüssigkeit und der aus dem Uterus abfließenden Flüssigkeit.

Das System darf nicht zur Einspülung von Flüssigkeiten in den Uterus eingesetzt werden, wenn eine Hysteroskopie kontraindiziert ist. Beachten Sie die spezifischen und relativen Kontraindikationen in der Bedienungsanleitung des Hysteroskops.

Relative Kontraindikationen einer Endometriumablation:

Eine hysteroskopische Endometriumablation durch Laser- oder Elektrochirurgie sollte erst nach einer angemessenen Schulung und mit der entsprechenden klinischen Erfahrung vorgenommen werden. Außerdem ist vor der Zerstörung des Endometriums die Entnahme einer Gewebeprobe erforderlich. Die nachstehenden klinischen Bedingungen können eine hysteroskopische Endometriumablation bedeutend komplizieren:

- Adenomatöse Endometrium-Hyperplasie
- Uterus Leiomyom
- Schwere Adenomyose
- Beckenschmerzen (subtile entzündliche Beckenerkrankung)
- Anomalien des Uterus
- Chirurgische Fertigkeiten (siehe oben)
- Schwere Anämie
- Unmöglichkeit, das Myom wegen seiner Größe zu umgehen / vorherrschend intramurale Myome mit kleinen submukösen Bestandteilen.

3.1 Warnungen und Vorsichtsmaßnahmen

3.1.1 Gefahren

GEFAHR!

Bei Einsatz von monopolaren hysteroskopischen Elektrochirurgiegeräten muss die Flüssigkeit nicht-stromleitend sein. Nicht-stromleitende Flüssigkeiten sind z. B. Glyzin, Sorbit und Mannitol. Spülflüssigkeiten aus isotonischer Kochsalzlösung dürfen nur verwendet werden, wenn bipolare elektrochirurgische Resektionen durchgeführt werden.



GEFAHR!

Um eine angemessene intrauterine Aufdehnung zu erlauben und um die Kräfte zu reduzieren, die Flüssigkeit, Raumluft und/oder Gas in den Kreislauf einbringen könnten, sollte der Druck so niedrig wie möglich gehalten werden.



GEFAHR!

Intrauterine Distension kann in der Regel mit Druckwerten zwischen 35-70 mmHg erreicht werden. Eines Drucks über 75-80 mmHg bedarf es bis auf wenige Ausnahmefälle nur dann, wenn ein exzessiver Blutdruck vorliegt.



GEFAHR!

Bei Einsatz des Ständers mit Waage sind die Gebrauchsanweisungen in diesem Handbuch genau zu befolgen.





GEFAHR!**Fluid overload**

Es besteht das Risiko, dass durch den Uterus Spülflüssigkeit in den Blutkreislauf oder das Gewebe der Patientin gelangt. Dies kann durch Distensionsdruck, Flowrate, Perforation des Cavum uteri und Dauer der Hysteroskopie beeinflusst werden. Es ist sehr wichtig, den Zu- und Abfluss der aufdehnenden Flüssigkeit jederzeit zu überwachen.



GEFAHR!**Flüssigkeitsdefizit**

Es ist notwendig, die in der Patientin verbleibende Flüssigkeitsmenge zu beobachten. Das Defizit ist die Gesamtmenge der Flüssigkeit, die in der Patientin verbleibt oder nicht zugeordnet werden kann. Die Messtoleranz des Systems muss berücksichtigt werden (siehe Kapitel 10, Technische Daten). Die Abschätzung der Flüssigkeitsmenge, die in der Patientin verbleibt, liegt in der Beurteilung und Verantwortung des Arztes.



GEFAHR!**Überwachung des Zu- und Abflusses**

Der Zu- und Abfluss der Flüssigkeit muss sehr genau überwacht werden. Wenn eine Flüssigkeit mit niedriger Viskosität benutzt wird, muss eine intrauterine Einleitung von mehr als 2 Litern Flüssigkeit sehr genau überwacht werden, da die Möglichkeit eines „Fluid overload“ besteht. Wenn eine Flüssigkeit mit hoher Viskosität (wie Hyskon) benutzt wird, muss die Einleitung von mehr als 500 ml sehr genau überwacht werden. Weitere Informationen siehe Produktbeschreibung für Hyskon.



GEFAHR!**Natriumkonzentration des Blutserums**

Die Natriumkonzentration im Blut der Patientin muss überwacht werden, um eine Elektrolytentgleisung zu verhindern. Die Überwachung der Natriumkonzentration im Blut obliegt dem Arzt; sie erfolgt nicht durch das System und wird nicht vom System unterstützt.



GEFAHR!

Die Defizitanzeige geht bei einem Stromausfall oder einer Kurzzeitunterbrechung verloren.



GEFAHR!**Hyponatriämie**

Einige Flüssigkeiten können zu einem „Fluid overload“ mit nachfolgender Hyponatriämie und den entsprechenden Konsequenzen führen. Dies wird durch Distensionsdruck, Flowrate und Dauer der Hysteroskopie beeinflusst. Es ist sehr wichtig, den Zu- und Abfluss der aufdehnenden Flüssigkeit jederzeit zu überwachen.



GEFAHR!**Lungenödem**

Bei einer Hysteroskopie besteht das Risiko eines Lungenödems, das durch einen „Fluid overload“ mit isotonomischer Flüssigkeit entsteht. Es ist sehr wichtig, den

Zu- und Abfluss der aufdehnenden Flüssigkeit jederzeit zu überwachen.

GEFAHR!**Gehirnödem**

Bei einer Hysteroskopie besteht das Risiko eines Gehirnödems, das durch „Fluid overload“ und Elektrolytentgleisung bei Einsatz hypoosmolarer (nicht-ionischer) Flüssigkeiten wie Glyzin 1,5 % und Sorbitol 3,0 % entsteht. Es ist sehr wichtig, den Zu- und Abfluss der aufdehnenden Flüssigkeit jederzeit zu überwachen.



DE

GEFAHR!**Idiosynkratische Reaktionen**

In seltenen Fällen können idiosynkratische Reaktionen wie

- intravaskuläre Koagulopathie
- allergische Reaktion einschließlich Anaphylaxie

während einer Hysteroskopie auftreten, wenn eine Distensionsflüssigkeit eingesetzt wird. Insbesondere bei Einsatz von Hyskon als Spülflüssigkeit während einer Hysteroskopie wurden idiosynkratische anaphylaktische Reaktionen beobachtet. Diese sollten wie andere allergische Reaktionen behandelt werden.

**GEFAHR!****Hypothermie (Überwachung der Körpertemperatur)**

Bei einer Hysteroskopie kann der kontinuierliche Flow der Distensionsflüssigkeit zu einer Absenkung der Körpertemperatur der Patientin führen. Eine niedrige Körpertemperatur kann Probleme mit den Herzkranzgefäßen und dem Herz-Kreislauf-System verursachen. Überwachen Sie deshalb die Körpertemperatur der Patientin während der gesamten Operation. Achten Sie insbesondere darauf, dass die folgenden, die Hypothermie fördernden, Operationsbedingungen so weit wie möglich vermieden werden:

- lange Operationsdauer
- Einsatz einer kalten Spülflüssigkeit.

**GEFAHR!****Eileiterruptur infolge eines Eileiterverschlusses**

Die Aufdehnung des Uterus kann zu einem Riss im Eileiter führen, wenn dieser blockiert oder permanent verschlossen ist. Durch die Ruptur kann Spülflüssigkeit in die Peritonealhöhle der Patientin fließen und ein „Fluid overload“ verursachen. Es ist sehr wichtig, den Zu- und Abfluss der aufdehnenden Flüssigkeit jederzeit zu überwachen.

**GEFAHR!**

Sollte Luft, die sich in dem Schlauchsystem oder in dem angeschlossenen Instrument befindet, in die Patientin gelangen, so kann es zu einer Luftembolie kommen. Es muss sich immer Flüssigkeit im Flüssigkeitsbeutel befinden, damit keine Luft in die Patientin gepumpt werden kann.

**GEFAHR!**

Das System ist ausschließlich für die Verwendung flexibler Flüssigkeitsbehälter geeignet. Bei Verwendung von Glasbehältern besteht Bruchgefahr. Bei Verwendung fester Behälter kann die Flüssigkeit nicht schnell genug fließen, weil im Behälter ein Vakuum entsteht. Bei Verwendung fester Behälter besteht das Risiko





einer Implosion.

GEFAHR!

Die Befüllung der Schläuche mit Spülflüssigkeit und das Zurückstellen der Defizitanzeige auf Null erfolgt nach Ermessen des Arztes.



GEFAHR!

Das System ist so aufzustellen, dass die Beobachtung der Anzeigewerte, die Systemfunktion und der Zugriff auf die Bedienelemente jederzeit möglich ist.



GEFAHR!

Vermuten Sie einen Systemfehler oder stellen Sie diesen bei der Funktionskontrolle fest, ist die Verwendung des Systems untersagt. Dies gilt ebenfalls bei offensichtlichen Defekten und Schäden, insbesondere am Netzstecker und Netzkabel.



GEFAHR!

Mit dem EIN/AUS-Schalter trennen Sie das System nicht vom Netz. Hierzu ist der Netzstecker an der Rückseite des Systems abzuziehen.



GEFAHR!

Technik und Verfahren

Nur der Arzt kann entscheiden, ob aus klinischer Sicht die Operation unter Einsatz des Systems an dem Patienten indiziert ist. Der Arzt muss bestimmen, welche Technik und welches Verfahren anzuwenden ist, um das gewünschte klinische Ergebnis zu erreichen.



GEFAHR!

Überprüfen Sie alle Werkseinstellungen

Werkseinstellungen sind keine Vorgaben für den Arzt. Der Arzt ist verantwortlich für alle Einstellungen, die die Operationsbedingungen betreffen.



GEFAHR!

Original-Zubehör

Benutzen Sie zu Ihrer eigenen Sicherheit und der Ihres Patienten ausschließlich Aquilex-Zubehör.



GEFAHR!

Nicht explosionsgeschützt

Das System ist nicht explosionsgeschützt. Betreiben Sie das Gerät nicht in der Nähe von explosiven Narkosegasen.



GEFAHR!

Änderungen an dem System sind nicht erlaubt.

GEFAHR!

Um das Risiko eines elektrischen Schlags zu vermeiden, darf das System nur an ein Versorgungsnetz mit Schutzleiter angeschlossen werden.

**GEFAHR!****Fachliche Qualifikation**

Dieses Handbuch enthält keine Beschreibungen oder Verfahrensanweisungen für Operationstechniken. Es ist auch nicht geeignet, einen Arzt in Operationstechniken einzuführen. Medizinische Instrumentarien und Systeme dürfen nur in dafür vorgesehenen Einrichtungen und von Ärzten oder medizinischem Personal angewendet werden, die über die entsprechende fachliche Qualifikation verfügen.

**GEFAHR!****Sterile Medien und Zubehör**

Arbeiten Sie ausschließlich mit sterilen Substanzen und Medien, steriler Flüssigkeit und sterilem Zubehör, wenn dies angezeigt ist.

**GEFAHR!****Ersatzsystem und Zubehör**

Halten Sie in unmittelbarer Reichweite ein Ersatzsystem und Ersatzzubehör bereit, um die Operation bei Ausfall dieses Systems oder des Zubehörs sicher beenden zu können.

**GEFAHR!****Reinigung des Systems**

Das System darf nicht sterilisiert werden.

**GEFAHR!****Tropfwasser**

Schützen Sie das System vor Feuchtigkeit. Benutzen Sie das System nicht, wenn Flüssigkeit in das System eingedrungen ist.

**GEFAHR!****Systemdefekt**

Verwenden Sie das System nicht, wenn ein vermuteter oder bestätigter Systemdefekt vorliegt. Sichern Sie das System vor einer weiteren Verwendung bis zur Überprüfung durch einen autorisierten Servicetechniker.

**GEFAHR!****Sicherung wechseln**

Achten Sie bitte beim Auswechseln der Sicherung darauf, dass der vorgeschriebene Typ eingesetzt wird (siehe Kapitel 10, Technische Daten).

**GEFAHR!**

Das System ist so aufzustellen, dass das Netzkabel leicht abgezogen werden kann.



3.1.2 Vorsichtsmaßnahmen



ACHTUNG!

Amerikanisches Bundesrecht (nur US-Markt)

Nach amerikanischem Recht darf das Gerät nur von einem Arzt oder auf Anordnung eines Arztes erworben werden.



ACHTUNG!

Wenn das Aquilex System zusammen mit MyoSure® oder einem anderen Morcellator-System eingesetzt wird, kann die Kombination aus niedrigem Soll-Druck und einem zu hohen Vakuumdruck zu einem signifikanten Verlust des intrauterinen Distensionsdrucks führen, was die Sicht im Operationsfeld beeinträchtigen kann. Umgekehrt kann bei einem hohen Distensionsdruck das Abschalten des MyoSure® oder eines anderen Morcellator-Systems zu Druckspitzen von über 150 mmHg führen. Diese Situationen können kurzzeitig auftreten, wenn das System die Flowrate automatisch anpasst, um zu dem eingestellten intrauterinen Soll-Druck zurückzukehren.



ACHTUNG!

Das System darf nur mit Hysteroskopen kombiniert werden, deren bestimmungsgemäßer Gebrauch und technische Daten eine gemeinsame Anwendung zulassen. Jedes eingesetzte Hysteroskop muss den Anforderungen der Normen EC 60601-2-18 und ISO 8600 in ihrer jeweils neuesten Fassung entsprechen.



ACHTUNG!

Elektrische Beeinflussung: (siehe Kapitel 11, Anweisung und Herstellererklärung - Elektromagnetische Verträglichkeit). Bei der Entwicklung und bei der Prüfung des Systems wurde darauf geachtet, dass eine elektrische Beeinflussung anderer Systeme praktisch ausgeschlossen ist. Sollten Sie dennoch derartige Beeinflussungen vermuten, können diese durch folgende Maßnahmen unterbunden werden:

- Verändern der räumlichen Zuordnung des Aquilex Systems, der anderen Systeme oder beides
- Erhöhung des Abstandes zwischen den verwendeten Systemen
- Hinzuziehen einer Fachkraft für Elektromedizin



ACHTUNG!

Überprüfen Sie, ob die verfügbare Netzspannung mit der auf dem Typenschild an der Pumpenrückwand angegebenen Netzspannung übereinstimmt. Eine falsche Spannung kann zu Fehlfunktionen und zur Zerstörung des Systems führen.

3.2 Beschreibung des Aquilex Fluid Control Systems

Technischer Anwendungsbereich

Der intrauterine Soll-Druck wird auf der Vorderseite der Pumpe eingestellt. Er kann in einem Bereich zwischen 40 und 150 mmHg gewählt werden. Die maximale Zuflussrate beträgt 800 ml/min. und wird von der Pumpe automatisch reduziert, sobald der vorgegebene intrauterine Soll-Druck erreicht ist.

Das System ist flüssigkeits- und vakuumseitig darauf ausgelegt, die Leistungsfähigkeit des MyoSure® Tissue Removal System zu maximieren.

Mögliche Distensionsmedien

Das Aquilex Fluid Control System kann mit hypotonen, elektrolytfreien Medien (z. B. Glyzin 1,5 % und Sorbitol 3,0 %) sowie isotonen, elektrolythaltigen Medien (z. B. Kochsalzlösung 0,9 % und Ringer-Lactatlösung) verwendet werden.

Das System arbeitet mit einer völlig kontaktlosen Druckmessung des Spülmediums. Die kontaktlose Druckmessung wird durch Integration der Druckkammer in das Schlauchsystem erreicht. Die Druckkammer überträgt den Druck der Spülflüssigkeit über einen Sensor an die Elektronik des Geräts. Der Druckregler vergleicht ständig den vorgegebenen intrauterinen Soll-Druck mit dem tatsächlichen intrauterinen Ist-Druck. Die Aufgabe dieses Algorithmus besteht darin, den intrauterinen Soll-Druck zu erhalten. Wenn der intrauterine Soll-Druck nicht erreicht wird, prüfen Sie das System auf Leckagen.

Druckmessung und -regelung

DE

Erster Systemaufbau



An Steckdose anschließen



Schutzkontakt

Nur für den US-Anwender

Potentialausgleich

Vorsichtsmaßnahmen

4 Erster Systemaufbau

Überprüfen Sie immer alle Teile des Systems und das Zubehör, bevor Sie den ersten Systemaufbau vornehmen. Wenn das System offensichtliche Defekte aufweist, sprechen Sie den Kundendienst von Hologic an (Kapitel 13, Informationen zur Gewährleistung).

Stellen Sie das System auf einer ebenen Fläche in trockener Umgebung auf. Die Umgebungstemperatur und die Luftfeuchte müssen den in Kapitel 10, Technische Daten enthaltenen Angaben entsprechen.

GEFAHR!

Das System ist so aufzustellen, dass das Netzkabel leicht abgezogen werden kann.

4.1 Vorbereitung des Systems

ACHTUNG!

Überprüfen Sie, ob die verfügbare Netzspannung mit der auf dem Typenschild an der Systemrückwand angegebenen Netzspannung übereinstimmt. Eine falsche Spannung kann zu Fehlfunktionen und zur Zerstörung des Systems führen.

Vergewissern Sie sich, dass die Anschlussdaten der Stromversorgung den DIN VDE oder nationalen Bestimmungen entspricht. Das Netzkabel darf nur in eine vorschriftsmäßig montierte Schutzkontaktsteckdose eingesteckt werden (s. DIN VDE 0107). Beachten Sie das Typenschild an der Pumpenrückwand, um die Betriebsspannung des Systems festzustellen.

Der Netzanschluss muss über einen Schutzkontakt verfügen. Stellen Sie mit dem Aquilex-Netzkabel die Verbindung zwischen der Schutzkontaktsteckdose und dem rückseitig angeordneten Kaltgerätestecker her.

Benutzen Sie ausschließlich eine geprüfte (UL-gelistete), abnehmbare Netzanschlussleitung, Typ SJT, minimal 18 AWG, 3-adrig. Die Steckkontakte müssen den Bestimmungen NEMA 5-15 bzw. IEC 320/CEE22 entsprechen. Der Schutzleiteranschluss ist nur gewährleistet, wenn das System an eine vorschriftsmäßig installierte Krankenhaussteckdose (Hospital Grade) angeschlossen ist.

Integrieren Sie entsprechend den örtlich geltenden Sicherheitsvorschriften das System in das Potentialausgleichssystem.

Medizinische elektrische Geräte unterliegen besonderen Sicherheits- und Schutzmaßnahmen hinsichtlich der Elektromagnetischen Verträglichkeit EMV (nachfolgend kurz EMV genannt).

Dieses System ist ausschließlich für den in dem Handbuch beschriebenen Zweck einzusetzen. Bei der Aufstellung und der Inbetriebnahme sind unbedingt die Hinweise für die EMV zu beachten.

4.2 Systemaufbau

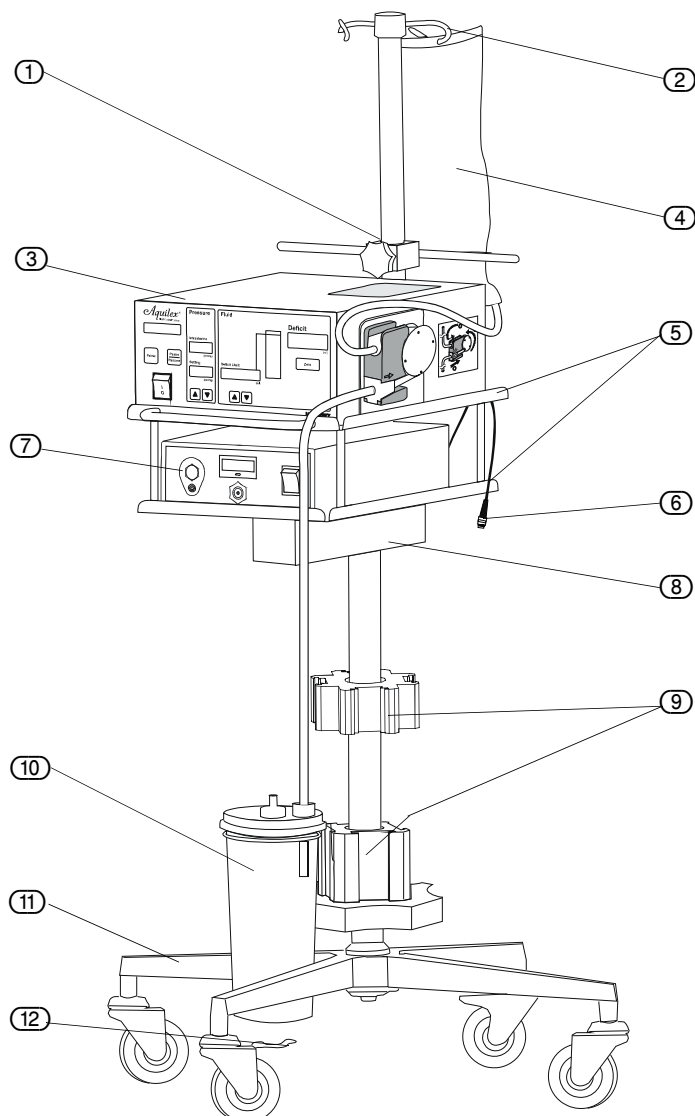


Abb. 4-1 Aufbau des Aquilex Fluid Control Systems

- ① Ständer
- ② Beutelhalter
- ③ Pumpe
- ④ Flüssigkeitsbeutel
- ⑤ Trägerplatten
- ⑥ Kabel der Waage
- ⑦ MyoSure® Kontrolleinheit
- ⑧ Waage
- ⑨ Halter für Behälter
- ⑩ Behälter
- ⑪ Rollenfuß
- ⑫ Feststellbremse

DE

Das Aquilex Fluid Control System ist für den Versand auf zwei Kartons verteilt:

Karton 1 enthält:

- Pumpe
- Handbuch
- Netzkabel
- Aquilex Vakuumschlauchset (niedriges und hohes Vakuum)
- Netzkabel für MyoSure® Kontrolleinheit

Karton 2 enthält:

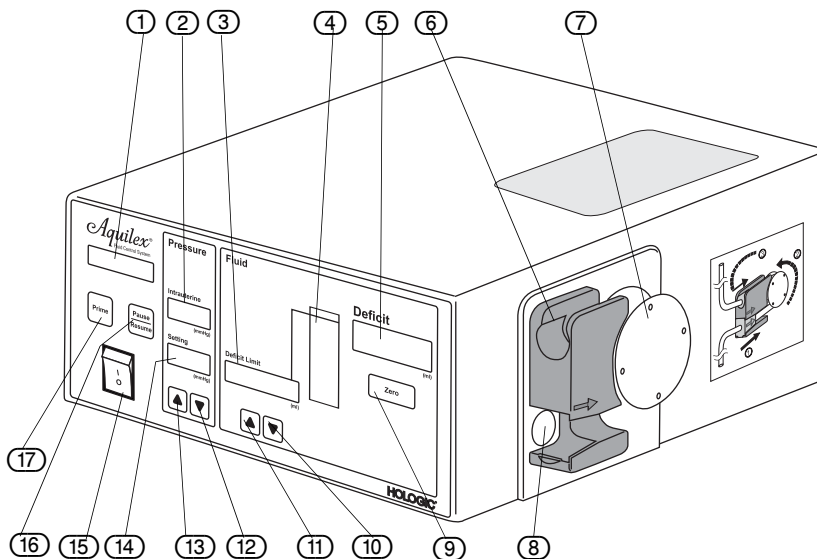
- Ständer mit Waage
- Behälterringe

5 Bedienung des Systems

5.1 Vorderseite der Pumpe

Abb. 5-1 Vorderseite der Pumpe

- ① Pumpenanzeige
- ② Anzeige des intrauterinen Ist-Drucks
- ③ Anzeige der Flüssigkeitsdefizitgrenze
- ④ Defizitmesser
- ⑤ Defizitanzeige
- ⑥ Halter für Inflow-Schlauch
- ⑦ Rollenrad
- ⑧ Drucksensor
- ⑨ Rückstelltaste für Defizit (Zero)
- ⑩ Defizitgrenze verringern
- ⑪ Defizitgrenze erhöhen
- ⑫ Einstellung für intrauterinen Soll-Druck verringern
- ⑬ Einstellung für intrauterinen Soll-Druck erhöhen
- ⑭ Anzeige des intrauterinen Soll-Drucks
- ⑮ EIN/AUS-Schalter
- ⑯ Taste Pause/Resume
- ⑰ Taste Prime

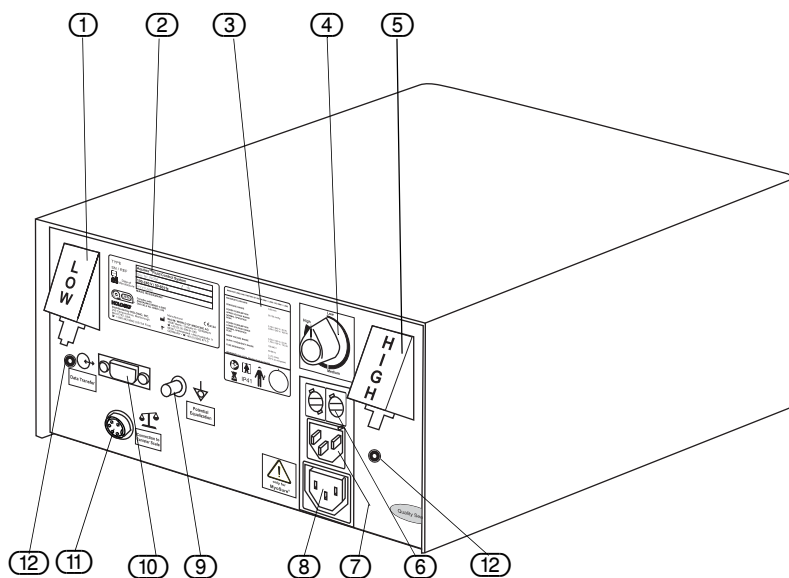


Machen Sie sich mit der Anordnung der Elemente an der Vorderseite der Pumpe vertraut.

5.2 Rückseite der Pumpe

Abb. 5-2 Rückseite der Pumpe

- ① Anschluss für niedriges Vakuum (weiß)
- ② Produktetikett
- ③ Leistungsdaten des Geräts
- ④ Anpassregler für hohes Vakuum
- ⑤ Anschluss für hohes Vakuum (grün)
- ⑥ Sicherungshalter
- ⑦ Anschluss für Netzkabel
- ⑧ Anschluss für MyoSure® Kontroll-einheit
- ⑨ Anschluss Potentialausgleich
- ⑩ Service-Schnittstelle
- ⑪ Anschluss für Waage
- ⑫ Absaugöffnungen



Machen Sie sich mit der Anordnung der Elemente an der Rückseite der Pumpe vertraut.



ACHTUNG!

Über die Schnittstellen des Gerätes anzuschließende Peripheriegeräte müssen der Norm EN 60950 entsprechen.

5.3 Ständer mit Waage

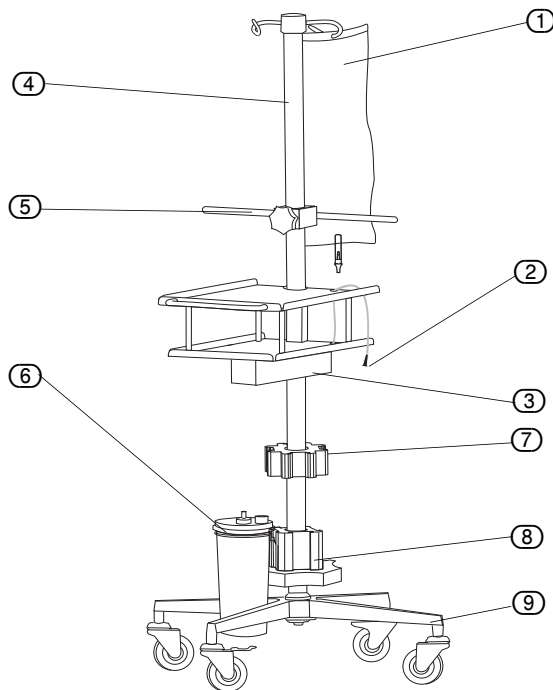


Abb. 5-3 Ständer mit Waage

- ① Flüssigkeitsbeutel
- ② Kabel der Waage
- ③ Waage
- ④ Stange mit Beutelhalter
- ⑤ Beutelspanner
- ⑥ Behälter
- ⑦ Halter für oberen Behälter (Serres, Medela, Baxter, Baxter flex)
- ⑧ Halter für unteren Behälter (Abbott, Bemis, Medi-Vac, DeRoyal)
- ⑨ Rollenfuß

DE

Der Ständer mit Waage besteht aus einer Wiegeeinheit für die Behälter, einer Stange mit Haken für die Beutel mit Spülflüssigkeit und einem Rollenfuß.

1. Nehmen Sie den Ständer mit Waage aus dem Versandkarton.
2. Ziehen Sie die Stange bis zu ihrer Endposition heraus.
3. Fahren Sie die Beutelspanner aus.
4. Nehmen Sie die Pumpe und die Netzkabel aus dem ersten Karton.
5. Je nach Art des benutzten Behälters bringen Sie die Behälterringe (in dem zweiten Versandkarton enthalten) am oberen (7) oder unteren (8) Halter für die Behälter an.
6. Stecken Sie das Netzkabel in den Anschluss (7) Abb. 5-2, Rückseite der Pumpe) auf der Rückseite der Pumpe und in eine Schutzkontaktsteckdose.
7. Schließen Sie die Waage an die Pumpe an, indem Sie das Kabel der Waage (2) Abb. 5-3, Ständer mit Waage) in den Anschluss für die Waage (11) Abb. 5-2, Rückseite der Pumpe) stecken.
8. Stecken Sie das mitgelieferte Netzkabel der MyoSure® Kontrolleinheit in den Anschluss (8) Abb. 5-2, Rückseite der Pumpe) auf der Rückseite der Pumpe, um diese mit der MyoSure® Kontrolleinheit zu verbinden.

GEFAHR!

Bilanzierungsfehler

Achten Sie darauf, dass keine Teile während des Systemstarts mit der Waage in Berührung kommen. Andernfalls können ungenaue Defizitwerte entstehen.



GEFAHR!

Flüssigkeitsdefizit

Es ist notwendig, die in der Patientin verbleibende Flüssigkeitsmenge zu beobachten. Das Defizit ist die Gesamtmenge der Flüssigkeit, die in der Patientin verbleibt oder nicht zugeordnet werden kann. Die Messtoleranz des Systems muss berücksichtigt werden (siehe Kapitel 10, Technische Daten). Die Abschätzung der Flüssigkeitsmenge, die in der Patientin verbleibt, liegt in der Beurteilung und Verantwortung des Arztes.





GEFAHR!

Natriumkonzentration des Blutserums

Die Natriumkonzentration im Blut der Patientin muss überwacht werden, um eine Elektrolytentgleisung zu verhindern. Die Überwachung der Natriumkonzentration im Blut obliegt dem Arzt; sie erfolgt nicht durch das System und wird nicht vom System unterstützt.

Präzise Bilanzierung

Versuchen Sie, jegliche Flüssigkeit aufzufangen, die während des Eingriffs aus dem Cavum uteri abfließt, um einen möglichst genauen Defizitwert zu erhalten.

Kapazität der Waage

Die Wiegegrenze der Waage liegt bei knapp 30 kg (65 lbs). Ein höheres Gewicht löst die Meldung **Scale Overloaded/Check Scale** (Waage überlastet/Waage prüfen) aus. Außerdem sind drei Warntöne zu hören (siehe Kapitel 9, Fehler- und Warnmeldungen).



ACHTUNG!

Achten Sie darauf, dass die Behälter frei hängen, nicht abgestützt werden und keinen Kontakt zu anderen Dingen haben. Ansonsten kann das Defizit nicht korrekt berechnet werden.

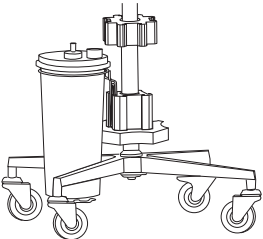
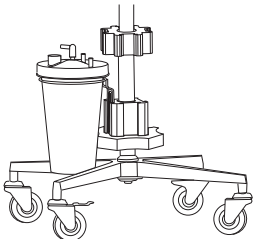
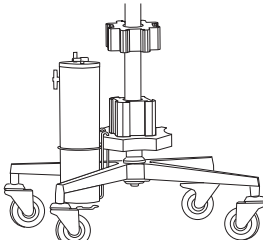
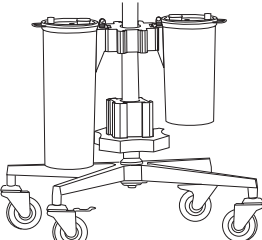
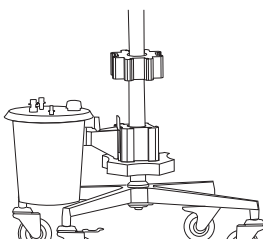
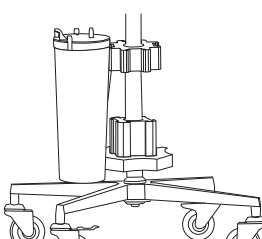


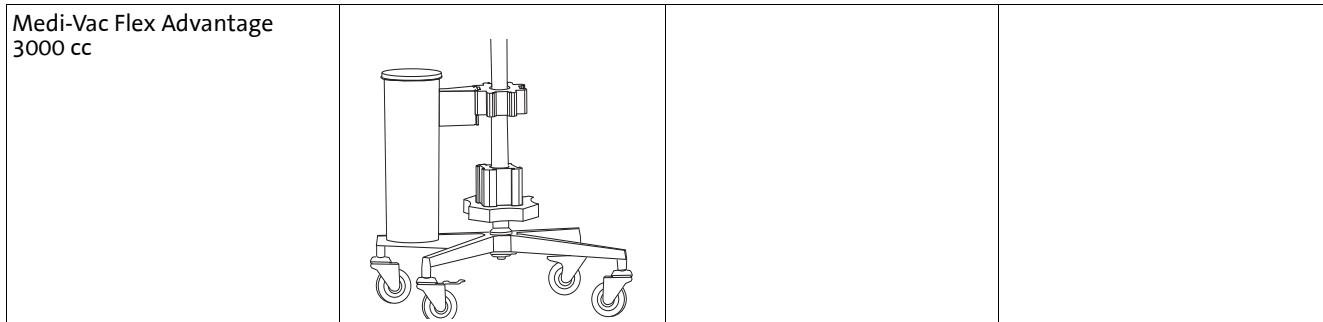
HINWEIS!

Schließen Sie die Waage an die Pumpe an, bevor Sie das System einschalten.

5.3.1 Einstellung der Waage

Die Waage kann mit Behältern verschiedener Hersteller eingesetzt werden.

Bemis® 3 Liter		DeRoyal®	
Abbott 2 Liter		Serres 2 und 3 Liter	
Medi-Vac® 3 Liter		Medela 3 Liter	



HINWEIS!

Achten Sie darauf, dass die Behälter richtig am passenden Halter aufgehängt sind.



HINWEIS!

Benutzen Sie ausschließlich Behälter mit Überlaufschutz.



5.3.2 Vakuumschlauch anschließen

ACHTUNG!

Wenn das Aquilex System zusammen mit MyoSure® oder einem anderen Morcellator-System eingesetzt wird, kann die Kombination aus niedrigem Soll-Druck und einem zu hohen Vakuumdruck zu einem signifikanten Verlust des intrauterinen Distensionsdrucks führen, was die Sicht im Operationsfeld beeinträchtigen kann. Umgekehrt kann bei einem hohen Distensionsdruck das Abschalten des MyoSure® oder eines anderen Morcellator-Systems zu Druckspitzen von über 150 mmHg führen. Diese Situationen können kurzzeitig auftreten, wenn das System die Flowrate automatisch anpasst, um zu dem eingestellten intrauterinen Soll-Druck zurückzukehren.



1. Schließen Sie den Vakuumschlauch mit Hygienefilter an die Absaugbehälter an. Dies ist nur einmalig während des ersten Systemaufbaus erforderlich, nicht vor jedem Eingriff.
 - Anschluss für niedriges Vakuum (weiß)
 - ▶ Vakuumschlauch mit weißem Stecker an den Anschluss für niedriges Vakuum (weiß) (1) Abb. 5-4 anschließen. Hier erzeugt die Vakuumpumpe einen festen Unterdruck (~ 225 mmHg).
 - ▶ Verwenden Sie den Verbindungsschlauch (5) Abb. 5-4), wenn zwei Behälter hintereinander am gleichen Vakuumanschluss betrieben werden.

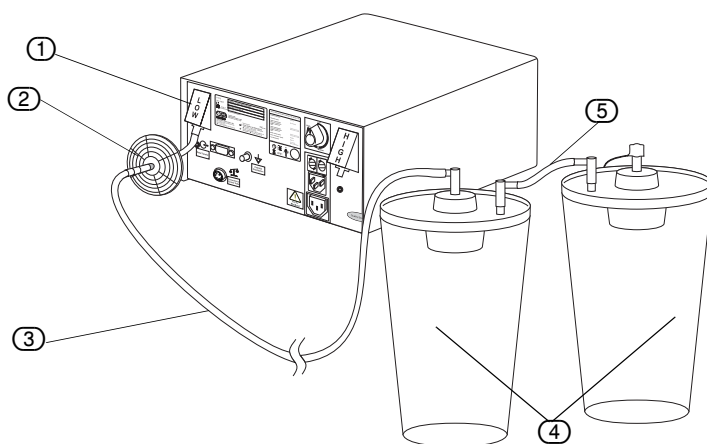


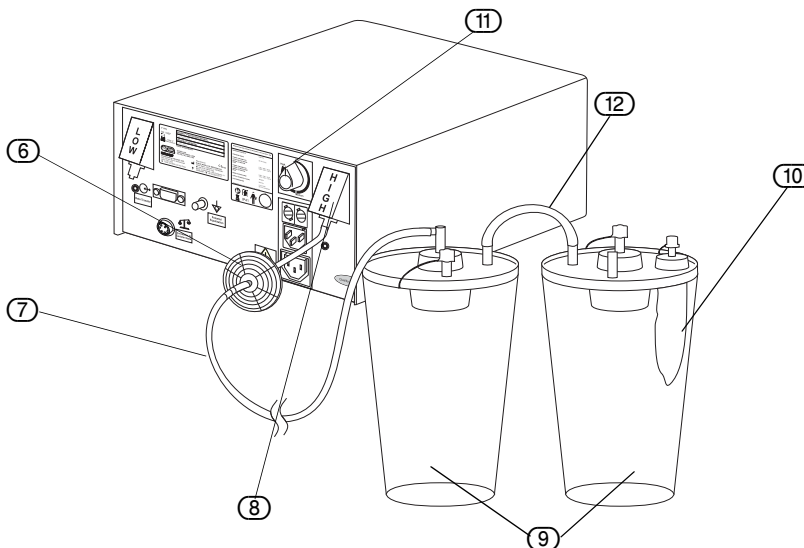
Abb. 5-4 Schlauch für niedriges Vakuum

- ① Anschluss für niedriges Vakuum (weiß)
- ② Hygienefilter
- ③ Vakuumschlauch
- ④ Behälter
- ⑤ Verbindungsschlauch

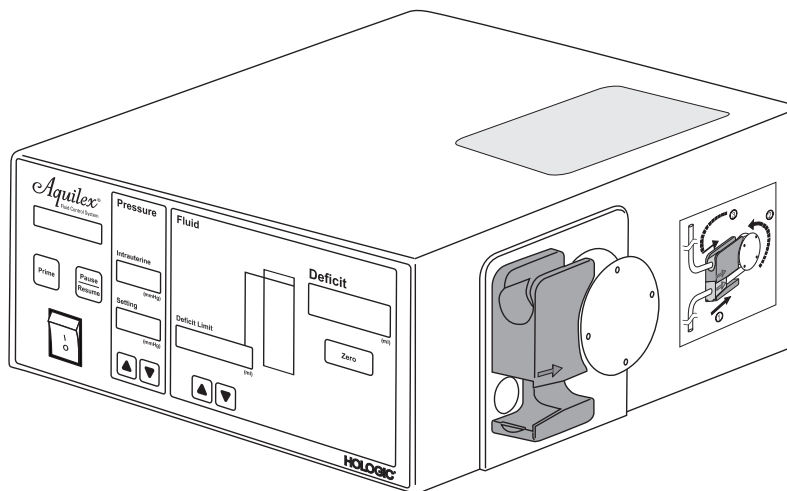
- Anschluss für hohes Vakuum (grün)
- ▶ Vakuumschlauch mit grünem Stecker an den Anschluss für hohes Vakuum (grün) (8) in Abb. 5-5 anschließen. Hier kann das Vakuum mit dem Anpassregler bis auf maximal 500 mmHg eingestellt werden.
- ▶ Verwenden Sie den Verbindungsschlauch (12) Abb. 5-5, wenn zwei Behälter hintereinander am gleichen Vakuumanschluss betrieben werden.

Abb. 5-5 Schlauch für hohes Vakuum

- (6) Hygienefilter
- (7) Vakuumschlauch (grüner Stecker)
- (8) Anschluss für hohes Vakuum (grün)
- (9) Behälter
- (10) Gewebesammler (für Eingriffe mit MyoSure®)
- (11) Anpassregler
- (12) Verbindungsschlauch



5.4 Aquilex-System einschalten



1. Drücken Sie den EIN/AUS-Schalter. Die Anzeigen leuchten und das System schaltet sich ein.
2. Das System führt einen Selbsttest durch.
3. Wenn sich beim Einschalten der Pumpe ein Schlauchset im Halter für den Inflow-Schlauch befindet, erscheint in der **Pumpenanzeige** (Abb. 5-1, Vorderseite der Pumpe (1)) die Meldung **Remove Tube Set** (Schlauchset entfernen). Der Selbsttest wird fortgesetzt, sobald das Schlauchset vom Rollenrad genommen wurde.

Wenn der Selbsttest des Systems nicht erfolgreich abgeschlossen werden kann, erscheinen entsprechende Fehlermeldungen (siehe Kapitel 9, Fehler- und Warnmeldungen).

Wenn das System den Selbsttest erfolgreich abgeschlossen hat, ist ein einzelner Ton zu hören. Die Meldung **System OK** wird 5 Sekunden lang angezeigt, dann erscheint die Meldung **Insert Tube Set** (Schlauchset einlegen).

GEFAHR!

Vermuten Sie einen Systemfehler oder stellen Sie diesen bei der Funktionskontrolle fest, ist die Verwendung des Systems untersagt. Dies gilt ebenfalls bei offensichtlichen Defekten und Schäden, insbesondere am Netzstecker und Netzkabel.



5.5 Flüssigkeitsbeutel aufhängen

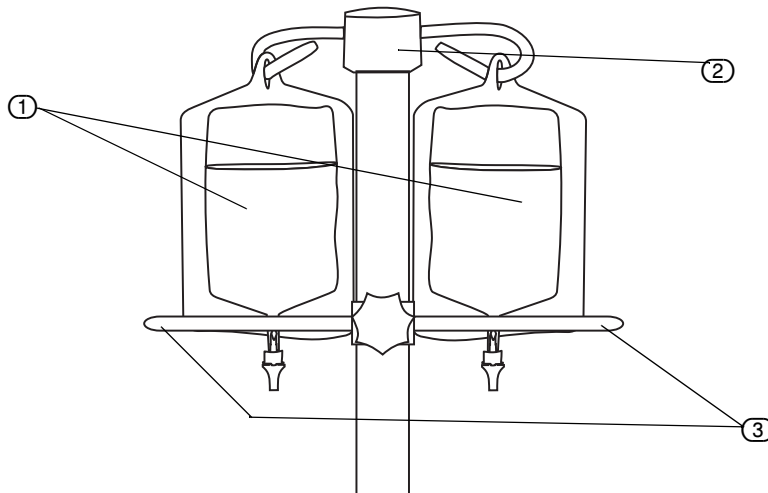


Abb. 5-6 Aufhängung der Flüssigkeitsbeutel

- ① Flüssigkeitsbeutel
- ② Stange mit Beutelhalter
- ③ Beutelspanner

GEFAHR!

Bei Einsatz von monopolaren hysteroskopischen Elektrochirurgiegeräten muss die Flüssigkeit nicht-stromleitend sein. Nicht-stromleitende Flüssigkeiten sind z. B. Glycerin, Sorbit und Mannitol. Spülflüssigkeiten aus isotonischer Kochsalzlösung dürfen nur verwendet werden, wenn bipolare elektrochirurgische Resektionen durchgeführt werden.



Hängen Sie einen oder zwei Flüssigkeitsbeutel auf, die mit der für den geplanten Eingriff passenden Flüssigkeit gefüllt sind. (Für einen Eingriff mit MyoSure® werden ein oder zwei Beutel mit 3000 ml Kochsalzlösung benötigt.)

GEFAHR!

Das System ist ausschließlich für die Verwendung flexibler Flüssigkeitsbehälter geeignet. Bei Verwendung von Glasbehältern besteht Bruchgefahr. Bei Verwendung fester Behälter kann die Flüssigkeit nicht schnell genug fließen, weil im Behälter ein Vakuum entsteht. Bei Verwendung fester Behälter besteht das Risiko einer Implosion.



5.6 Schlauchsets verwenden

Das Aquilex Fluid Control System ist für den Einsatz mit einmal verwendbaren Inflow- und Outflow-Schlauchsets konzipiert.

Jedes Inflow-Schlauchset ist mit einem Transponder zur Schlauchset-Erkennung ausgestattet. Der RFID-Transponder enthält Informationen über den Schlauchtyp, den Benutzungszustand und die Zulässigkeit. Die Pumpenanzeige zeigt diese Informationen an. So wird eine versehentliche Wiederverwendung eines Schlauchsets bei mehr als einer Patientin vermieden (siehe Kapitel 5.7, Übersicht über die Schläuche).

Schlauchset-Erkennung



GEFAHR!

Wiederaufbereitung steriler Einmalprodukte

Bei Wiederverwendung von Inflow- und Outflow-Schläuchen besteht eine Infektionsgefahr für Patienten und/oder Anwender sowie das Risiko einer Beeinträchtigung der Produktfunktion. Kontamination und/oder beeinträchtigte Funktion des Systems kann zu Verletzungen, Erkrankungen oder Tod führen. Einmal verwendbare Inflow- und Outflow-Schlauchsets dürfen nicht wiederaufbereitet werden.



HINWEIS!

Beachten Sie bei der Entsorgung von Schläuchen, gesammelter Flüssigkeit und Behältern die Hygienevorschriften.

5.7 Übersicht über die Schläuche

Zum Betrieb des Systems sind drei verschiedene Schlauchsets erforderlich. In der folgenden Tabelle sind alle Schlauchset-Typen und ihre Anwendung aufgeführt.

Artikelnummer	Beschreibung
AQL-110	Aquilex Fluid Control System Inflow-Schlauchset
AQL-111	Aquilex Fluid Control System Outflow-Schlauchset
AQL-112	Komplettes Schlauchset (Inflow und Outflow), einmal verwendbar, steril
AQL-114	Aquilex Fluid Control System Schlauchset für hohes und niedriges Vakuum: wiederverwendbar, nicht steril

Tabelle 5-1

5.8 Outflow-Schlauchset anschließen



ACHTUNG!

Wenn das Aquilex System zusammen mit MyoSure® oder einem anderen Morcellator-System eingesetzt wird, kann die Kombination aus niedrigem Soll-Druck und einem zu hohen Vakuumdruck zu einem signifikanten Verlust des intrauterinen Distensionsdrucks führen, was die Sicht im Operationsfeld beeinträchtigen kann. Umgekehrt kann bei einem hohen Distensionsdruck das Abschalten des MyoSure® oder eines anderen Morcellator-Systems zu Druckspitzen von über 150 mmHg führen. Diese Situationen können kurzzeitig auftreten, wenn das System die Flowrate automatisch anpasst, um zu dem eingestellten intrauterinen Soll-Druck zurückzukehren.

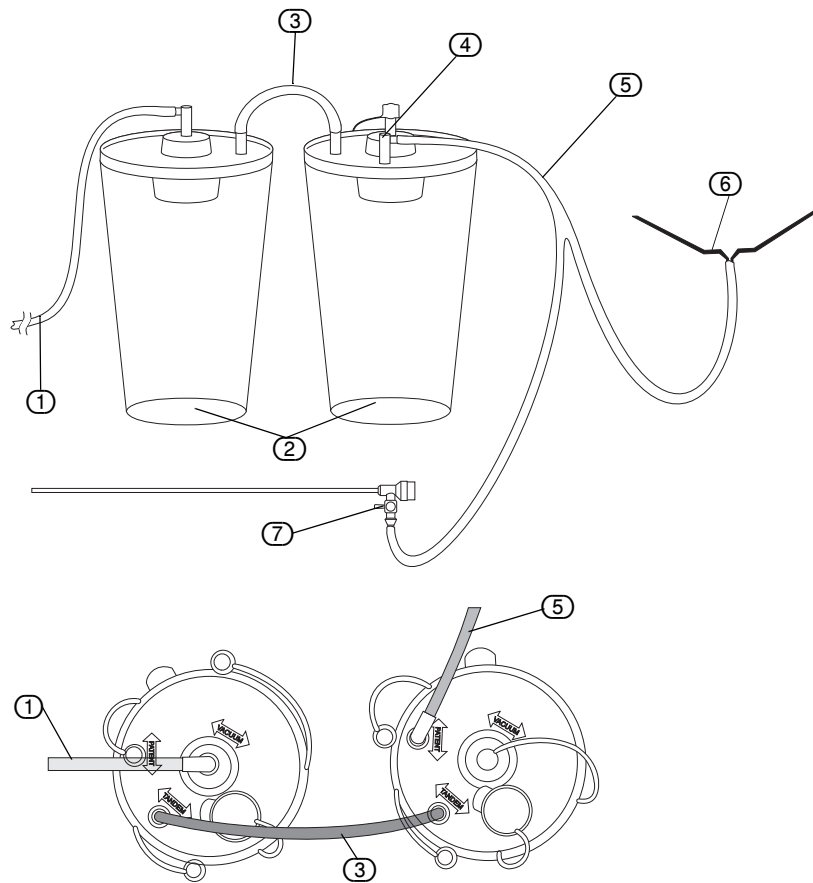


Abb. 5-7 Outflow-Schlauchset

- ① Zu niedrigem Vakuum (weiß)
- ② Behälter
- ③ Verbindungsschlauch
- ④ Patientenanschluss
- ⑤ Outflow-Schlauchset
- ⑥ Abdecktuch
- ⑦ Herausnehmbarer Abflusskanal (MyoSure®) oder Outflowhahn des Hysteroskops

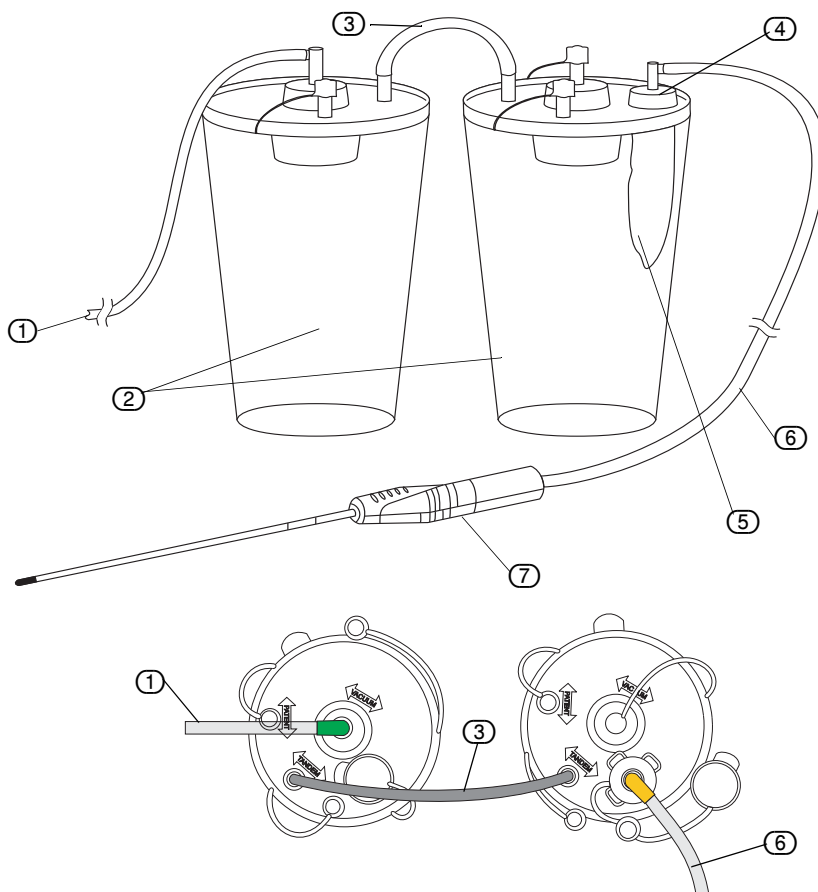
DE

Bei der Konfiguration mit niedrigem Vakuum aus Abb. 5-4 wird das Outflow-Schlauchset (Y-Schlauch) an den Patientenanschluss ④ des zweiten Behälters angeschlossen. Der gelbe flexible Anschluss wird am Abdecktuch ⑥ befestigt. Die gelbe Luer-Verbindung wird an den Absperrhahn ⑦ des herausnehmbaren Abflusskanals (MyoSure®) oder den Outflowhahn des Hysteroskops angeschlossen.

5.8.1 MyoSure® Abflussanschluss

Abb. 5-8 MyoSure®-Anschluss

- ① Zu hohem Vakuum (grün)
- ② Behälter
- ③ Verbindungsschlauch
- ④ Gewebeprobenanschluss
- ⑤ Gewebesammler
- ⑥ MyoSure® Vakuumschlauch
- ⑦ MyoSure® Tissue Removal Device (TRD)



Wenn im Uterus pathologisches Gewebe erkannt wird, kann das MyoSure® TRD an das Aquilex System wie in Abb. 5-8 gezeigt angeschlossen werden. Der MyoSure® Vakuumschlauch (6) wird an den Gewebesammler (5) im zweiten Behälter angeschlossen.

5.9 Einlegen des Inflow-Schlauchsets

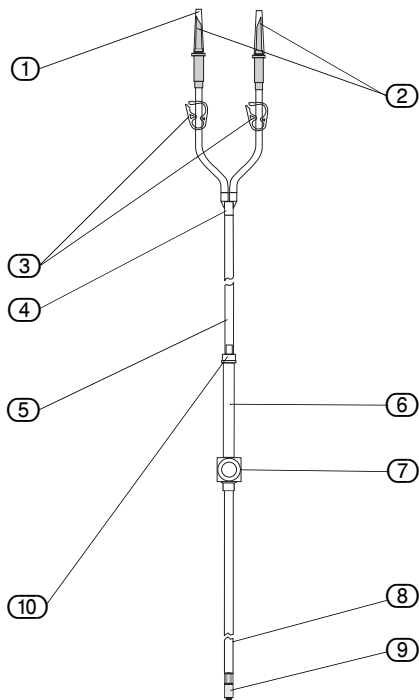


Abb. 5-9 Teile des Schlauchsets

- ① Schutzkappen
- ② Einstechdorne für Flüssigkeitsbeutel
- ③ Schlauchklemmen
- ④ Y-Stück
- ⑤ Inflow-Abschnitt
- ⑥ Rollenrad-Abschnitt
- ⑦ Druckkammer mit Membran und RFID-Transponder
- ⑧ Hysteroskop-Abschnitt
- ⑨ Luer-Lock-Anschluss (blau)
- ⑩ Rollenrad-Anschluss

DE

(siehe Abb. 5-9, Teile des Schlauchsets) Das Inflow-Schlauchset besteht aus drei Schlauchabschnitten, einem Y-Stück (4) und zwei Einstechdornen für die Flüssigkeitsbeutel (2). Die drei Schlauchabschnitte sind: Rollenrad-Abschnitt (6), Inflow-Abschnitt (5), und Hysteroskop-Abschnitt (8). Die Einstechdorne für die Flüssigkeitsbeutel (2) dienen dazu, die Schlauchabschnitte an die Flüssigkeitsbeutel anzuschließen.

Der Luer-Lock-Anschluss (9) verbindet den Hysteroskop-Schlauch mit dem Hysteroskop.

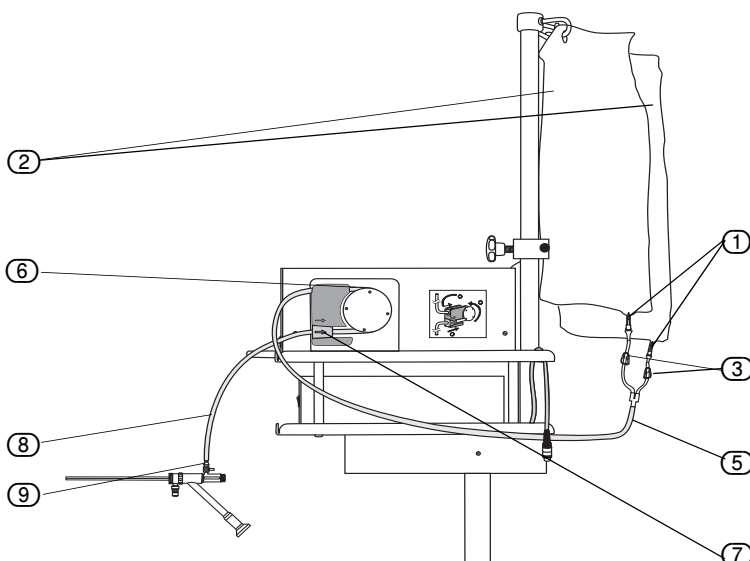


Abb. 5-10 Einlegen des Schlauchsets

- ① Einstechdorne für Flüssigkeitsbeutel
- ② Flüssigkeitsbeutel
- ③ Beutelklemmen
- ⑤ Inflow-Schlauch
- ⑥ Rollenrad-Schlauch
- ⑦ Druckkammer mit Membran und RFID-Transponder
- ⑧ Hysteroskop-Schlauch
- ⑨ Luer-Lock-Anschluss (blau)

1. Inflow-Schlauchset / von unsterilem Personal auszuführen

- ▶ Öffnen Sie den Umkarton des Inflow-Schlauchsets.
- ▶ Steriles Personal entnimmt die Innenverpackung des Schlauchsets und öffnet diese.

Umkarton öffnen

An das Hysteroskop anschließen

Schlauchset einlegen

Flüssigkeitsbeutel anschließen

2. Von sterilem Personal auszuführen:

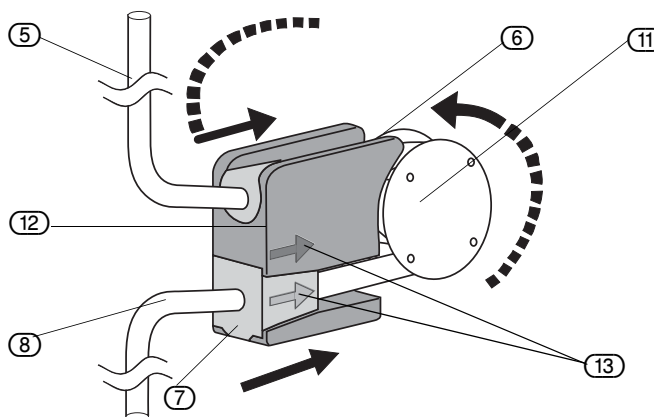
- ▶ Halten Sie den blauen Luer-Lock-Stecker (9) im Sterilbereich und übergeben Sie das Schlauchende mit den Einstechdornen für die Flüssigkeitsbeutel (1) an das unsterile Personal.
- ▶ Schließen Sie den blauen Luer-Lock-Stecker (9) an den Inflow-Absperrhahn des Hysteroskops an. Öffnen Sie den Absperrhahn.

3. Von unsterilem Personal auszuführen:

- ▶ Überprüfen Sie, ob das System eingeschaltet ist.
- ▶ Schließen Sie die Klemmen (3) an den Inflow-Schläuchen unter den Einstechdornen für die Flüssigkeitsbeutel (1).
- ▶ Legen Sie das Inflow-Schlauchset in den Halter für den Inflow-Schlauch. Das Einlegen des Rollenrad-Schlauches ist in Abb. 5-11 dargestellt.
- ▶ Drücken Sie die Druckkammer (7) vorsichtig in die untere Aussparung des Halters für den Inflow-Schlauch (12), bis Sie einen Widerstand spüren. Richten Sie die Druckkammer und den Halter für den Inflow-Schlauch an den Pfeilen aus (siehe Abb. 5-11).
- ▶ Achten Sie beim Einsetzen des Rollenrad-Schlauches darauf, dass die Membran der Druckkammer nicht beschädigt wird. Die Druckkammer (7) darf nur in drucklosem Zustand eingelegt werden.
- ▶ Legen Sie den Rollenrad-Schlauch (6) um das Rollenrad (11).
- ▶ Wenn Sie den Schlauch an die Beutel mit der Spülflüssigkeit anschließen oder ihn von den Beuteln abnehmen, fassen Sie die Einstechdorne immer an dem vorgesehenen Handgriff an. Das Einführen der Einstechdorne in die Flüssigkeitsbeutel muss unter sterilen Bedingungen erfolgen. Der Chirurg muss eine Flüssigkeit ausgewählt haben, die für den geplanten Eingriff geeignet ist.

Abb. 5-11 Rollenrad-Schlauch anbringen

- (5) Inflow-Schlauch
- (6) Rollenrad-Schlauch
- (7) Druckkammer
- (8) Hysteroskop-Schlauch
- (11) Rollenrad
- (12) Halter für Inflow-Schlauch
- (13) Ausrichtungspfeile



Einstellung des intrauterinen Soll-Drucks

5.10 Vorwahl des intrauterinen Soll-Drucks

Die Einstellung des intrauterinen Soll-Drucks kann angepasst werden, wenn das System in Betrieb ist. Benutzen Sie dafür die Tasten ▲ und ▼ (Abb. 5-1, Vorderseite der Pumpe). Die Druckeinstellung kann in Schritten von 5 mmHg zwischen 40 und 150 mmHg gewählt werden. Der intrauterine Ist-Druck wird in der Anzeige des intrauterinen Ist-Drucks (2) angegeben.

Sicherheitsschwelle

Wenn beim Scrollen mit der Taste ▲ (siehe Abb. 5-1, Vorderseite der Pumpe) die Sicherheitsschwelle von 100 mmHg erreicht ist, wird ein Warnton ausgegeben. Lassen Sie die Taste ▲ für etwa eine Sekunde los und scrollen Sie dann weiter, um einen höheren Wert bis zu 150 mmHg einzustellen.



ACHTUNG!

Reagiert während der Operation der aktuelle Druck nicht auf eine Erhöhung des Flowwertes, so kann dies auch an einer Perforation des Cavum uteri liegen. Es besteht die Gefahr der Intravasation. Untersuchen Sie das Cavum uteri auf mög-

liche Verletzungen.

5.11 Defizitgrenze einstellen

Die Defizitgrenze kann angepasst werden, wenn das System in Betrieb ist. Benutzen Sie dafür die Tasten ▲ und ▼ (siehe Abb. 5-1). Die Defizitgrenze kann in 100 - ml-Schritten zwischen 600 und 2500 ml eingestellt werden. Die Defizitgrenze wird in der Anzeige für die Defizitgrenze (3) angegeben. Der Defizitmesser dient dazu, den Anwender bei der Überwachung der Defizitmenge zu unterstützen. Die Farbe des Defizitmessers ändert sich, wenn er sich der Defizitgrenze nähert. Die vom Anwender eingestellte Defizitgrenze ist oben im Defizitmesser mit einer roten LED gekennzeichnet. Wenn während des Betriebs das tatsächliche Defizit ansteigt, leuchtet die LED auf und zeigt die tatsächliche Defizitmenge an, bis die Defizitgrenze erreicht ist (siehe Abschnitt **Defizitgrenze** in Kapitel 6, Sicherheitsfunktionen).

5.12 Einsatz der Pumpe während einer Operation

- ▶ Öffnen Sie die Klemmen an den Flüssigkeitsbeuteln (3 Abb. 5-10).
- ▶ Öffnen Sie den Absperrhahn für den Hysteroskop-Zufluss vollständig.
- ▶ Drücken Sie die Taste **Prime** (17 Abb. 5-1).
- ▶ Pumpe läuft etwa 20 Sekunden lang, um Luft aus den Schläuchen zu pumpen und die automatische Lumenkalibrierung vorzunehmen.
- ▶ In der Pumpenanzeige steht **Calibration Running** (Kalibrierung läuft).

Die Pumpe ist mit einer Funktion zur automatischen Lumenkalibrierung ausgestattet. Das System bestimmt den Flowwiderstand des Hysteroskops. Dieser Widerstand wird zur Berechnung des Pumpendrucks benutzt, der für eine Aufrechterhaltung des intrauterinen Soll-Drucks notwendig ist. Um diesen Widerstand zu überwinden, erlaubt die Pumpe einen Druck von bis zu 80 mmHg während der Kalibrierung. Dies wird in der Anzeige des intrauterinen Ist-Drucks angezeigt. Wenn die Kalibrierung aufgrund hohen Widerstands scheitert, wird die Kalibrierung mit einem zulässigen Druck von bis zu 150 mmHg wiederholt. Wenn sie dann noch nicht abgeschlossen werden kann, zeigt die Pumpe **Prime Fail - Open Stopcock Clamps** (Prime fehlgeschlagen; Absperrhahn, Klemmen öffnen) an.

Die automatische Lumenkalibrierung beginnt, sobald die Taste **Prime** gedrückt wird.

- ▶ Wenn die automatische Lumenkalibrierung beendet ist, erklingen drei Töne. In der Pumpenanzeige steht 5 Sekunden lang **Prime Successful Close Stopcock** (Prime erfolgreich, Hahn schließen), dann **System Operating** (System betriebsbereit).
- ▶ Schließen Sie den Absperrhahn für den Hysteroskop-Zufluss, um den Zufluss zu stoppen. Nachdem Sie die gesamte Flüssigkeit vom Abdecktuch entfernt haben, setzen Sie die Defizitanzeige auf Null.

HINWEIS!

Die Pumpe arbeitet weiter, nachdem die automatische Lumenkalibrierung beendet ist. Stoppen Sie die Pumpe, indem Sie den Absperrhahn für den Hysteroskop-Zufluss schließen.



HINWEIS!

Die automatische Lumenkalibrierung muss jedes Mal durch Drücken der Taste „Prime“ ausgelöst werden, wenn während eines Eingriffs ein anderes Hysteroskop verwendet wird.



- ▶ Öffnen Sie den Absperrhahn und führen Sie das Hysteroskop bei ausströmender Flüssigkeit in den Uterus ein.
- ▶ Passen Sie die Einstellung des intrauterinen Soll-Drucks bei Bedarf an, um

Einstellung der Defizitgrenze

DE

Automatische Lumenkalibrierung

Bedienung des Systems

Bedienung des Systems beenden

eine angemessene Aufdehnung und Sicht zu erreichen.

- ▶ Wenn der Einsatz des Systems beendet ist, schließen Sie den Absperrhahn für den Hysteroskop-Zufluss.
- ▶ Warten Sie, bis die gesamte Flüssigkeitsmenge vom Abdecktuch und aus dem Schlauchset sich in den beiden Behältern gesammelt hat.
- ▶ Taste **Pause/Resume** drücken.
- ▶ Notieren Sie die Defizitmenge, die in der Defizitanzeige angegeben ist. Dies ist die gesamte Flüssigkeitsmenge, die von der Patientin aufgenommen wurde.



GEFAHR!

Systemfehler: Vermuten Sie einen Systemfehler oder stellen Sie diesen bei der Funktionskontrolle fest, ist die Verwendung des Aquilex Systems untersagt. Dies gilt ebenfalls bei offensichtlichen Defekten und Schäden, insbesondere am Netzstecker und Netzkabel.

Behälterwechsel beim Eingriff

5.13 Behälter während des Eingriffs wechseln

- ▶ Stoppen Sie die Pumpe, indem Sie die Taste **Pause/Resume** drücken. Damit wird auch der Wert in der Anzeige des Flüssigkeitsdefizits eingefroren.
- ▶ Entfernen Sie die Behälter und bringen Sie neue Behälter an.
- ▶ Schließen Sie die Behälterschläuche an.
- ▶ Drücken Sie die Taste **Pause/Resume**, um den Eingriff fortzusetzen.



ACHTUNG!

Wenn Sie einen gefüllten Behälter von der Waage entfernen, ohne die Taste „Pause/Resume“ gedrückt zu haben, erscheint die Meldung „Container Change, Press Resume“ (Behälterwechsel, Resume drücken), die Pumpe bleibt sofort stehen und die Defizitanzeige wird eingefroren, damit die Defizitberechnung korrekt weitergeführt werden kann. Wenn Sie den Behälterwechsel beendet haben, können Sie die Pumpe durch Drücken der Taste „Pause/Resume“ wieder starten.

Angezeigtes Gesamtvolumen

5.14 Angezeigtes Gesamtvolumen

Wenn Sie eine manuelle Kontrolle des Flüssigkeitsdefizits durchführen möchten, können Sie sich die gesamte Flüssigkeitsmenge anzeigen lassen, indem Sie die Pfeiltasten auf- und abwärts (**10**) und (**11**) in Abb. 5-1, Vorderseite der Pumpe) unter der Anzeige für die Flüssigkeitsdefizitgrenze (**3**) in Abb. 5-1). Der Wert in der Defizitanzeige ist die gesamte Flüssigkeitsmenge in ml. Sobald Sie einen oder beide Pfeiltasten loslassen, wird in der Defizitanzeige wieder der Wert für das Flüssigkeitsdefizit angezeigt.

Ausschalten

5.15 Ausschalten des Systems

Drücken Sie den **EIN/AUS**-Schalter, um die Pumpe auszuschalten. Die Anzeigen leuchten nicht mehr.



GEFAHR!

Mit dem EIN/AUS-Schalter trennen Sie das System nicht vom Netz. Hierzu ist der Netzstecker an der Rückseite des Systems abzuziehen.

6 Sicherheitsfunktionen

Der einwandfreie Betrieb des Systems wird ständig von der Elektronik überwacht. Systemfehler werden durch Warntöne, Fehlermeldungen und/oder Blockieren von Systemfunktionen angezeigt. Eine tabellarische Zusammenstellung der Fehler- und Warnmeldungen finden Sie in Kapitel 9, Fehler- und Warnmeldungen.

Wenn der intrauterine Ist-Druck die Einstellung des intrauterinen Soll-Drucks länger als 5 Sekunden um 10 mmHg übersteigt, wird die Druckreduzierung aktiviert. Das Rollenrad bewegt sich während der Druckreduzierung einige Male vor- und rückwärts. Wenn der Druck nicht reduziert werden kann, erscheint die Meldung **Overpressure/Open Stopcock** (Überdruck/Absperrhahn öffnen) und es erklingen drei Warntöne.

Sobald der intrauterine Ist-Druck 150 mmHg übersteigt, wird die Meldung **Maximum Pressure** (Maximaldruck) angezeigt und die Pumpe gibt drei Warntöne ab. Der maximal zulässige Druck ist erreicht.

Wenn der intrauterine Ist-Druck länger als 5 Sekunden 200 mmHg übersteigt, bleibt das Rollenrad stehen und die Meldung **Overpressure/Check Stopcock** (Überdruck/Absperrhahn prüfen) erscheint. Es werden so lange drei kurze Warntöne abgegeben, bis der Druck reduziert wurde. Sobald der intrauterine Ist-Druck unter 200 mmHg fällt, stoppen die Warntöne und das Rollenrad dreht sich wieder.

Wenn das Inflow-Schlauchset nicht richtig in das Rollenrad eingesetzt wurde, erklingt nach Drücken der Taste **Prime** ein kurzer Warnton und die Meldung **Check Tube Set Installation** (Schlauchset-Installation prüfen) erscheint. Das Rollenrad wird nicht gestartet.

Wenn eine Fehlfunktion in der Druckmesselektronik auftritt, erscheint die Meldung **Sensor Error** (Sensorfehler) und es erklingen fünf kurze Warntöne. Das Rollenrad bleibt stehen.

Wenn das maximal zulässige Gewicht der Waage (etwa 30 kg/65 lbs) überschritten wird, erklingt ein kontinuierlicher Warnton und die Meldung **Scale Overload Check Scale** (Waage überlastet; Waage prüfen) wird angezeigt. Der Warnton stoppt und die Meldung verschwindet, sobald das überschüssige Gewicht von der Waage entfernt wurde.

Wenn während des Betriebs der Pumpe ein Behälter von der Waage entnommen wird, werden kontinuierlich drei kurze Warntöne abgegeben und die Meldung **Container Change, Press Resume** (Behälterwechsel, Resume drücken) wird angezeigt. Die Warntöne stoppen, wenn der ursprüngliche Zustand wiederhergestellt ist oder die Taste **Pause/Resume** gedrückt wird.

Wenn die letzte Einstellung des intrauterinen Soll-Drucks mehr als 80 mmHg betrug, wird dies auf den Standardwert von 80 mmHg zurückgesetzt.

Nach jeder Erhöhung der Defizitmenge um 100 ml über dem eingestellten Grenzwert werden drei Warntöne abgegeben und solange wiederholt, wie die Pumpe läuft. Die Meldung **Deficit Limit Exceeded** (Defizitgrenze überschritten) erscheint.

Wenn die Defiziterhöhung mehr als 300 ml/min. beträgt, werden drei Warntöne abgegeben und die Meldung **High Fluid Loss Check Leakage** (Hoher Flüssigkeitsverlust; auf Leckage prüfen) erscheint. Wenn keine offensichtliche Ursache für den hohen Flüssigkeitsverlust ausgemacht werden kann, muss die Patientin auf eine mögliche Zervix- oder Uterusperforation untersucht werden.

Es werden fünf kurze Warntöne abgegeben und die Meldung **Motor Error** (Motorfehler) erscheint. Fehler können auch während des Startvorgangs auftreten, bevor die Pumpenanzeige aktiviert wurde. In diesen Fällen bleibt die Pumpenanzeige leer.

Intrauteriner Ist-Druck liegt 10 mmHg über Einstellung des intrauterinen Soll-Drucks

Intrauteriner Ist-Druck > 150 mmHg

Intrauteriner Ist-Druck > 200 mmHg

Schlauchset-Installation prüfen

Fehler im Druckmesssystem

Waage überlastet

Waage im Betrieb be-/entladen

Druckeinstellung beim Wiedereinschalten

Defizitgrenze

Defiziterhöhung > 300 ml/min

Schwerwiegender Systemfehler

Pflege und Wartung

DE

7 Pflege und Wartung

Die vorschriftsmäßige Pflege und Wartung von System und Zubehör ist unbedingt erforderlich, um einen sicheren Betrieb zu gewährleisten. Prüfen Sie daher Funktion und Vollständigkeit vor jeder Anwendung zum Schutz von Patient und OP-Team.

Bei der Pflege, Wartung und Aufbewahrung des Systems und des Zubehörs ist eine entsprechende Sorgfalt erforderlich, um die Leistungsfähigkeit von System und angeschlossenen Geräten zu erhalten.

7.1 Reinigung des Systems

1. Drücken Sie die **EIN/AUS**-Schalter, um das System auszuschalten.
2. Entfernen Sie das Netzkabel.
3. Wischen Sie mit einem mit Oberflächenreiniger (beispielsweise Meliseptol® rapid) angefeuchteten weichen Tuch die Oberfläche des System ab. Die Konzentration des verwendeten Desinfektionsmittels richtet sich nach den Angaben des Desinfektionsmittelherstellers. Das Eindringen von Feuchtigkeit in das System ist unbedingt zu verhindern.

HINWEIS!

Das System darf nicht sterilisiert werden.



Wartungsintervall alle zwei Jahre

7.2 Wartung durch den autorisierten Servicetechniker

Es wird empfohlen, dass ein autorisierter Servicetechniker das System in angemessenen Abständen prüft und wartet, um die Sicherheit und Funktion zu garantieren. Je nach Häufigkeit und Dauer des Einsatzes hat dies **mindestens** alle zwei Jahre zu erfolgen. Andernfalls übernimmt der Hersteller keine Haftung für die Betriebssicherheit des Systems. Ein Aufkleber an der Gehäuserückwand erinnert den Anwender an den spätesten Termin für die nächste Wartung.

Bescheinigung

Lassen Sie sich nach der Überprüfung oder Instandsetzung vom Servicetechniker eine Bescheinigung aushändigen. Diese Bescheinigung muss Folgendes enthalten:

- Art und Umfang der Arbeiten
- Datum der Ausführung
- Name des Unternehmens, das die Arbeiten durchgeführt hat
- Unterschrift des Technikers

7.3 Wechseln der Sicherung

ACHTUNG!

Bevor Sie die Sicherung wechseln, kontrollieren Sie die Werte der einzusetzenden Sicherung gemäß Kapitel 10, Technische Daten.



Die Sicherung ist defekt und muss gewechselt werden, wenn:

- Anzeigen und Display nicht leuchten,
- das System ohne Funktion ist.

Überprüfen Sie, ob:

- das Netzkabel den Kaltgerätestecker des Systems mit einer Schutzkontaktsteckdose korrekt verbindet (Abb. 5-2),
- die Sicherung des Hausnetzes funktioniert.

GEFAHR!

Ziehen Sie das Netzkabel am System ab, bevor Sie die Sicherung überprüfen.



Zum Sicherungswechsel muss das System **nicht** geöffnet werden.

1. Schalten Sie das System aus.
2. Trennen Sie das System vom Netz.
3. Die Sicherungsträger befindet sich neben dem Kaltgerätestecker auf der Rückseite der Pumpe.
4. Nehmen Sie mit einem kleinen Schraubendreher die beiden Sicherungsträger, wie in Abb. 7-1 dargestellt, heraus.
5. Ziehen Sie die Sicherungsträger heraus.
6. Überprüfen Sie die Sicherungen.
7. Setzen Sie die neuen Sicherungen ein. Verwenden Sie nur vorgeschriebene Sicherungen (siehe Kapitel 10, Technische Daten).
8. Schieben Sie den Sicherungsträger hinein.
9. Stellen Sie mit dem Netzkabel die Verbindung zwischen der Schutzkontaktsteckdose und dem rückseitigen Kaltgerätestecker wieder her.

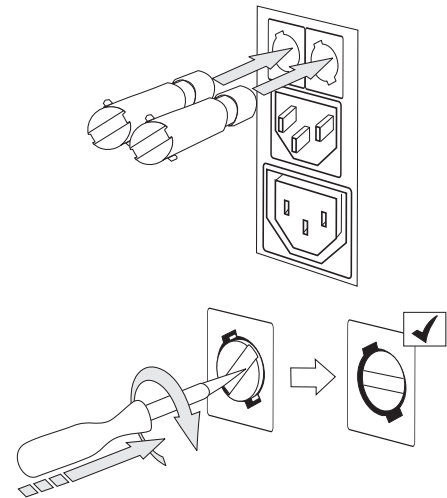


Abb. 7-1 Öffnen des Sicherungshalters

Herstellervorschrift

DE

Tests bei der Inspektion



8 Jährliche Inspektion

Der Hersteller schreibt vor, dass eine Fachkraft oder ein biomedizinischer Techniker das System regelmäßig einer funktions- und sicherheitstechnischen Inspektion unterziehen muss. Diese Inspektionen müssen jährlich durchgeführt werden. Regelmäßige Inspektionen tragen dazu bei, eventuelle Störungen frühzeitig zu erkennen und so die Sicherheit und Lebensdauer des Systems zu erhöhen.

Folgende Tests wurden speziell für Fachkräfte oder einen biomedizinischen Techniker entwickelt. Hiermit können Betrieb, Funktion und Nutzbarkeit des Systems leicht geprüft werden. Jede Testdurchführung muss auf dem Testprotokoll mit Datum und Unterschrift dokumentiert werden.

GEFAHR!

Wenn die angegebenen Parameter und Toleranzen überschritten werden, muss das System zur Überprüfung an Hologic geschickt werden.

8.1 Sicherheitstest

1. Führen Sie eine Sichtkontrolle durch. Achten Sie darauf, dass:
 - die Sicherung dem vom Hersteller angegebenen Wert entspricht,
 - die Aufschriften und Aufkleber am System lesbar sind,
 - der mechanische Zustand einen sicheren Betrieb zulässt,
 - keine sicherheitsbeeinträchtigenden Verschmutzungen vorhanden sind.
2. Führen Sie die Messung von Erdableitstrom (max. 500 μ A) und Berührungstrom (max. 100 μ A im Normalzustand und max. 500 μ A bei erstem Fehler) nach IEC 60601-1 / EN 60601-1 durch.
3. Führen Sie die Messung des Schutzleiterwiderstandes nach IEC 60601-1 / EN 60601-1 durch. Der Schutzleiterwiderstand soll mit angeschlossener Netzleitung gemessen werden. Der maximale Wert beträgt 0,2 Ω .

Alternativ kann der Sicherheitstest nach DIN EN 62353 durchgeführt werden.

8.2 Grundfunktionstests

Die Grundfunktionstests prüfen Anzeigen, Tasten und die allgemeine Leistungsfähigkeit des Systems. Für diesen Test benötigen Sie:

- Aquilex Inflow-Schlauchset
- Flüssigkeitsbeutel
- Messbehälter mit 1-Liter-Skala
- Stoppuhr
- Präzisionsgewichte (z.B. Ohaus 1 kg 49016-11 oder 41000-00 oder äquivalent)

8.3 Test der Waage

1. System einschalten.
2. Sobald die Anzeige **Insert Tube Set** (Schlauchset einlegen) erscheint, drücken Sie gleichzeitig die Tasten **Pause/Resume** und **Zero**.
3. In der Pumpenanzeige erscheint die Meldung **Scale Test** (Test der Waage).
4. Legen Sie ein Präzisionsgewicht in die Waage (500 g - 2000 g)
5. Die Anzeige der Flüssigkeitsdefizitgrenze zeigt das Gewicht an.
6. Die zulässige Toleranz ist ± 20 g.
7. Wenn eine höhere Abweichung vorhanden ist, muss ein Servicetechniker die Waage kalibrieren.
8. Entfernen Sie das Gewicht von der Waage
9. Taste **Pause/Resume** drücken, um diesen Test zu beenden.

Tragen Sie die Ergebnisse in das Testprotokoll im Abschnitt 15.1 ein. Der Test ist erfolgreich abgeschlossen, wenn die Ergebnisse innerhalb der zulässigen Toleranzgrenze liegen.

8.4 Test der Flowrate

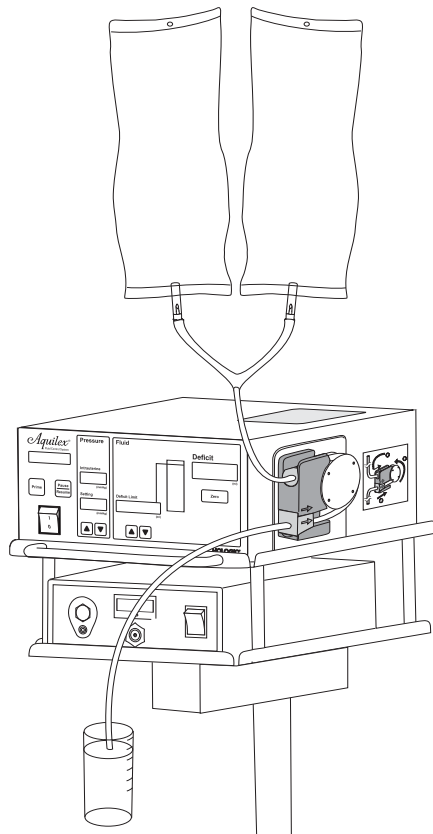


Abb. 8-1 Test der Flowrate

DE

Der Prüfaufbau ist in Abb. 8-1, Test der Flowrate dargestellt.

Durchführung des Test der Flowrate

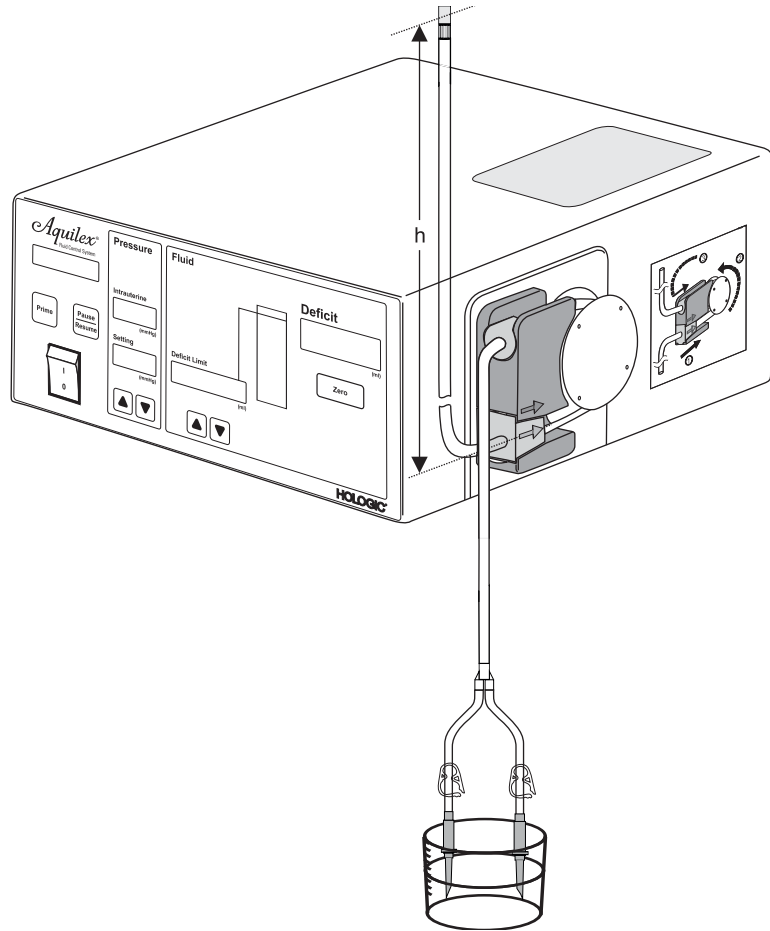
1. System einschalten. (Siehe Kapitel 5.4, Aquilex-System einschalten)
2. Schlauchset in die Pumpe einlegen und die Klemmen an den Beuteln schließen.
3. Die Flüssigkeitsbeutel an die Haken des Beutelhalters hängen.
4. Einstechdorne in die Flüssigkeitsbeutel stechen und Klemmen an den Flüssigkeitsbeuteln öffnen.
5. Hysteroskop-Schlauch in den Messbehälter hängen.
6. Intrauterinen Soll-Druck auf 150 mmHg einstellen.
7. Taste **Prime** drücken.
8. Das Rollenrad beginnt sich zu drehen, um die Luft aus den Schläuchen zu entfernen und die automatische Lumenkalibrierung vorzunehmen.
9. Wenn die automatische Lumenkalibrierung beendet ist (etwa 20 Sekunden) Taste **Pause/Resume** drücken.
10. Messbecher leeren.
11. Hysteroskop-Schlauch wieder in den Messbehälter hängen.
12. Taste **Pause/Resume** drücken.
13. Nach einer Minute Taste **Pause/Resume** drücken. Im Messbehälter sollten sich jetzt etwa 800 ml Flüssigkeit befinden.
14. Die zulässige Toleranzgrenze beträgt 25 ml/min.

Tragen Sie die Ergebnisse in das Testprotokoll im Abschnitt 15.1 ein. Der Test ist erfolgreich abgeschlossen, wenn die Ergebnisse innerhalb der zulässigen Toleranzgrenze liegen.

8.5 Test der Druckmessung

Der Prüfaufbau ist in Abb. 8-2 dargestellt.

Abb. 8-2 Prüfaufbau für Druckmessung
h Höhe des Wasserpegels




Der Drucktest prüft die Druckkammer, den Drucksensor und die Genauigkeit der Druckmessung, um sicherzustellen, dass alle Elemente korrekt funktionieren. Für diesen Test ist ein Inflow-Schlauchset und ein mit **Wasser** gefüllter Behälter erforderlich. Die Höhe der Wassersäule (hydrostatischer Druck) wird verwendet, um den Druckaufnehmer zu testen.

1. Hängen Sie das Inflow-Schlauchende mit den Einstechdornen für die Flüssigkeitsbeutel in einen mit Wasser gefüllten Behälter.
2. Füllen Sie das Schlauchende komplett mit Wasser durch Starten der Pumpe mit der **Prime**-Taste. Lassen Sie die Pumpe laufen, bis die Kalibrierung beendet ist. Taste **Pause/Resume** drücken, um das Rollenrad zu stoppen. Die Anzeige des intrauterinen Ist-Drucks zeigt 0 mmHg.
3. Verschließen Sie das Ende des Hysteroskop-Schlauchs (mit dem Finger auf der Spitze des Luer Konnektors).
4. Halten Sie den Wasserpegel am Ende des Hysteroskop-Schlauchs (h) 30 cm über die Druckkammer. Die Wassersäule übt einen hydrostatischen Druck auf den Druckaufnehmer aus.
5. Lassen Sie den Finger vom Ende des Hysteroskop-Schlauchs los.
6. Die Anzeige des intrauterinen Ist-Drucks sollte 20 mmHg (± 5 mmHg) betragen.
7. Verändern Sie die Höhe der Wassersäule. Der Wert der Anzeige des intrauterinen Ist-Drucks sollte sich entsprechend ändern.

Tragen Sie die Ergebnisse in das Testprotokoll im Abschnitt 15.1 ein. Der Test ist erfolgreich abgeschlossen, wenn die Ergebnisse innerhalb der zulässigen Toleranzgrenze liegen

8.6 Test der Messung des Flüssigkeitsdefizits

Der Prüfaufbau ist in Abb. 8-3 dargestellt. Es ist sehr wichtig, dass der Auffangbehälter **in** der Waage, wie in Abb. 8-3 gezeigt, positioniert wird.

1. Wenn die Grundfunktionstests 8.3 bis 8.5 durchgeführt wurden, gehen Sie zu Schritt 2 über. Wenn nicht, siehe Grundfunktionstest 8.4 Schritte 1 bis 11.
2. Setzen Sie die Anzeige des Flüssigkeitsdefizits auf „Null“ durch Drücken der **Zero**-Taste (siehe Abb. 5-1, ).
3. Taste **Pause/Resume** drücken.
4. Lassen Sie das System 1 Minute laufen. Im Behälter sollten sich etwa 800 ml Flüssigkeit befinden aber die Anzeige des Flüssigkeitsdefizit sollte etwa 0 anzeigen.
5. Die zulässige Toleranz beträgt ± 50 .

Tragen Sie die Ergebnisse in das Testprotokoll im Abschnitt 15.1 ein. Der Test ist erfolgreich abgeschlossen, wenn die Ergebnisse innerhalb der zulässigen Toleranzgrenze liegen.

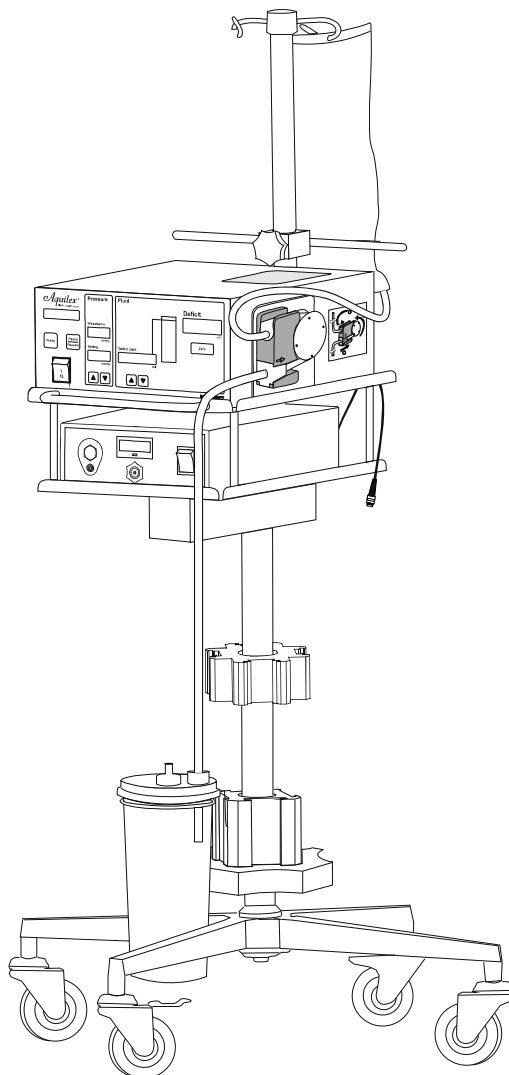


Abb. 8-3 Prüfaufbau der Messung des Flüssigkeitsdefizits

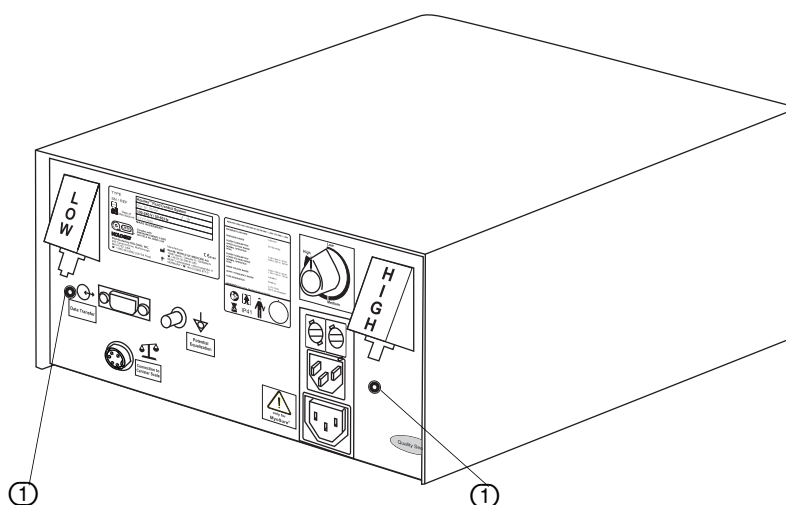
8.7 Test der Vakuumpumpe

Dieser Test ist nicht als Leistungstest zur Messung des Unterdrucks konzipiert. Der Test zeigt nur, ob die Vakuumpumpe betriebsfähig ist.

1. Wenn die Grundfunktionstests 8.3 bis 8.5 durchgeführt wurden, gehen Sie zu Schritt 2 über. Wenn nicht, siehe Grundfunktionstest 8.4 Schritte 1 bis 9.
2. Überprüfen Sie, ob mindestens ein Anschluss in den Behälter geöffnet ist.
3. Taste **Pause/Resume** drücken.
4. Legen Sie einen Finger über die goldenen Absaugöffnungen (Abb. 8-4, ①) an der Pumpenrückwand und testen Sie auf Luftstrom.

Tragen Sie die Ergebnisse in das Testprotokoll im Abschnitt 15.1 ein. Der Test ist erfolgreich abgeschlossen, wenn ein Luftstrom nachgewiesen werden kann.

Abb. 8-4 Absaugöffnungen der Vakuumpumpe



9 Fehler- und Warnmeldungen

Die Meldungen erscheinen in der Pumpenanzeige und es sind Warntöne zu hören. Töne, die auf eine Warn- oder Betriebsmeldung hindeuten, ertönen mehrmals.

Meldung in der Pumpenanzeige	Warntöne	Vorgehensweise
Check Tube Set Installation (Schlauchset-Installation prüfen)	1 Warnton	Schlauchset entnehmen und wieder einlegen. Wenn die Meldung erneut auftritt, neues Schlauchset einlegen.
Tube Set Over Usage Limits (Gebrauchtes Schlauchset)	1 Warnton	Schlauchset-Erkennung gibt an, dass das Schlauchset bereits benutzt wurde. Neues Schlauchset einlegen.
Check Flow Path, Stopcock, Clamps (Flowwege, Absperrhahn, Klemmen kontrollieren)	3 Warntöne	Flowweg ist blockiert. Überprüfen, ob Beutelklemmen und Hysteroskop-Absperrhahn geöffnet sind. Sicherstellen, dass das Schlauchset nicht blockiert ist.
Incorrect Tube Set (Falsches Schlauchset)	1 Warnton	Schlauchset austauschen. Das Schlauchset entspricht nicht dem für das Aquilex System zugelassenen Typ.
Pump Paused, Press Resume (Pumpe gestoppt, Resume Taste drücken)	1 Warnton	Pausen/Resume-Taste wurde aktiviert. Drücken Sie die Taste Pause/Resume erneut, um die OP fortzusetzen.
Container Change, Press Resume (Behälterwechsel, Resume drücken)	3 Warntöne	Entfernen Sie die Behälter ohne die Taste "Pause" gedrückt zu haben. Bringen Sie die neuen Behälter an und Drücken Sie die Taste Pause/Resume.
Overpressure Open Stopcock (Überdruck, Absperrhahn öffnen)	3 Warntöne	Wird meistens ausgelöst, wenn der Hysteroskop-Absperrhahn geschlossen ist und die Pumpe mit höchster Flowrate arbeitet. Hysteroskop-Absperrhahn öffnen oder anderen Verschluss entfernen, um Druck abzulassen.
Overpressure Check Stopcock (Überdruck; Absperrhahn prüfen)	5 Töne, ständige Wiederholung, bis Druck reduziert wurde	Der Druck hat die Sicherheitsschwelle von 200 mmHg überschritten und muss reduziert werden. Häufigste Ursache ist ein geschlossener Hysteroskop-Absperrhahn, während die Pumpe mit höchster Flowrate arbeitet. Zufluss-Absperrhahn am Hysteroskop öffnen oder Blockade entfernen, die das Inflow-Schlauchset abklemmt.
Maximum Pressure (Maximaler Druck)	Kein Warnton	Die Meldung „Maximum Pressure“ (Maximaler Druck) wird angezeigt, wenn der intrauterine Ist-Druck mehr als 150 mmHg beträgt.
Deficit Limit Reached (Defizitgrenze erreicht)	3 Warntöne	Maßnahmen liegen im Ermessen des Arztes.
Deficit Limit Exceeded (Defizitgrenze überschritten)	3 Warntöne	Maßnahmen liegen im Ermessen des Arztes. Bei Bedarf manuelle Defizitkontrolle durchführen.
Pressure Threshold (Druckschwellenwert)	1 Warnton	Für eine Hysteroskopie sind Drücke über 100 mmHg üblicherweise nicht erforderlich. Sorgfältige Überwachung des Flüssigkeitsdefizits wird empfohlen.
Connect Scale Restart System (Waage anschließen, System erneut starten)	3 Warntöne	Anschluss der Waage überprüfen. Waage wieder anschließen und Gerät neu starten. Wenn die Meldung erneut auftritt, Hologic kontaktieren.
Remove Tube Set for System Check (Schlauchset für Systemtest entfernen)	1 Warnton	Beim Systemtest darf sich kein Schlauchset im Rollenrad befinden. Schlauchset entfernen und warten, bis Warnton ertönt und die Meldung „Insert Tube Set“ (Schlauchset einlegen) erscheint.

Fehler- und Warnmeldungen

DE

Meldung in der Pumpenanzeige	Warntöne	Vorgehensweise
Prime Fail-Open Stopcock, Clamps (Prime fehlgeschlagen; Absperrhahn, Klemmen öffnen)	3 Warntöne	Prüfen, ob Beutelklemmen und Hysteroskop-Absperrhahn offen sind. Taste „Prime“ drücken, um neu zu starten.
High Fluid Loss Check Leakage (Hoher Flüssigkeitsverlust, auf Leckage prüfen)	3 Warntöne	Maßnahmen liegen im Ermessen des Arztes. Bei Bedarf manuelle Defizitkontrolle durchführen.
Scale Overload/Check scale (Waage überlastet/Waage prüfen)	3 Warntöne	Gewicht auf der Waage überschreitet 30 kg (65 lbs). Gewicht auf der Waage muss reduziert werden. Systemfunktion wird fortgesetzt, sobald das überschüssige Gewicht entfernt wurde.
Communication Error (Kommunikationsfehler)	5 Warntöne	Technischen Kundendienst von Hologic kontaktieren.
Calibration Error (Kalibrierfehler)	5 Warntöne	Technischen Kundendienst von Hologic kontaktieren.
Sensor Error (Sensorfehler)	5 Warntöne	Technischen Kundendienst von Hologic kontaktieren.
Motor Error (Motorfehler)	5 Warntöne	Technischen Kundendienst von Hologic kontaktieren.
Low Vac Failed Use Alternative (Ausfall niedriges Vakuum; Alternative einsetzen)	3 Warntöne	Es muss eine alternative Quelle für niedriges Vakuum benutzt werden, um den Eingriff fortzusetzen. Technischen Kundendienst von Hologic kontaktieren.
High Vac Failed Use Alternative (Ausfall hohes Vakuum; Alternative einsetzen)	3 Warntöne	Es muss eine alternative Quelle für hohes Vakuum benutzt werden, um den Eingriff fortzusetzen. Technischen Kundendienst von Hologic kontaktieren.
Vac Systems Out Use Alternative (Ausfall Vakuumsystem; Alternative einsetzen)	3 Warntöne	Es muss eine alternative Vakuumquelle benutzt werden, um den Eingriff fortzusetzen. Technischen Kundendienst von Hologic kontaktieren.

10 Technische Daten

Gerätetyp oder Typbezeichnung	AQL-100			
Netzspannungsbereich [V]	100-240 V			
Versorgungsfrequenzbereich [Hz]	50-60 Hz			
Sicherungsbezeichnung	2 x T 3,15 AH, 250 V, UL-gelistet			
Leistungsaufnahme	Strom [A]	Spannung [V]	Leistungsaufnahme [VA/W]	
Oberer Spannungsbereich				
	Normalbetrieb	0,19 A	240 V	45 VA
	Spitze	0,69 A	240 V	165 VA
Unterer Spannungsbereich				
	Normalbetrieb	0,52 A	100 V	52 VA
	Spitze	1,70 A	100 V	170 VA
Schutzklasse (I, II, III)	I			
Anwendungsteil des Typs (B, BF, CF)	Konzipiert für ein System mit BF Klassifizierung			
Defibrillatorschutz (Ja / Nein)	Nein			
Schutzklasse (IP-Code)	IP41 (Pumpe), IP21 (Waage)			
Klassifikation (I, IIa, IIb, III) laut Anhang IX der europ. MDD	IIb			
Konformität mit den folgenden Normen:	EN 60601-1:2006 / IEC 60601-1:2005 EN 60601-1-2:2007 / IEC 60601-1-2:2007			
Betriebsbedingungen	10 bis 40 °C / 50 bis 104 °F 30 bis 75 % rel. Luftfeuchtigkeit 70 bis 106 kPa Luftdruck 3000 m maximale Einsatzhöhe über NN			
Möglicher Einsatz mit explosiven Narkosegasen	Dieses System ist nicht für den Einsatz von explosiven Narkosegasen (Klasse AP) oder explosiven Narkosegasen mit Sauerstoff (Klasse APG) konzipiert.			
Lager- und Transportbedingungen	-20 bis +70 °C / -4 bis +158 °F 10 bis 90 % rel. Luftfeuchtigkeit 70 bis 106 kPa Luftdruck			
Max. Lautstärkepegel	< 80 dB(a)			
Maximale Belastung	30 kg (65 lbs)			
Einstellbare Werte				
	Druckbereich [mmHg]	40-150 mmHg		
Messbereich				
	Durchfluss [ml/min.]	0-800 ml/min.		
	Druck [mmHg]	0-500 mmHg		
	Defizit [ml]	-995/+9.995		
Genauigkeit, Wiederholbarkeit				
	Durchfluss [ml/min.]	±5 ml/min.		
	Druck [mmHg]	± 2 mmHg		
	Defizit [ml]	±10 ml		
Abmessungen	Breite x Höhe x Tiefe [mm]	300 mm x 140 mm x 300 mm (AQL-100P), 670 mm x 1320 mm x 670 mm (AQL-100CS)		
Gewicht [lbs], [kg]	13 lbs [5,8 kg] (AQL-100P), 23 lbs [10,5 kg] (AQL-100CS)			

Technische Daten

DE

Genauigkeit		
	Durchfluss [% Messwerte]	±7 %
	Druck [mmHg]	± 7,5 mmHg
	Defizit [% Messwerte]	±10 %
Schnittstellen:		
	Signal EIN/AUS für Komponenten	1 x Waagenanschluss (angeflanschte Buchse/runde Anschlussbuchse mit 5 Stiften/RS232) 1 x Serviceanschluss (RS232-Buchse DSUB9/RS232)
	Netzanschlusskabel	IEC-60320-1 C14

11 Anweisung und Herstellererklärung - Elektromagnetische Verträglichkeit

11.1 Einfluss mobiler und tragbarer HF-Kommunikationseinrichtungen

Die Abstrahlung von hochfrequenter Energie von mobilen Kommunikationseinrichtungen kann die Funktionsweise des medizinischen elektrischen Gerätes beeinflussen. Der Betrieb solcher Geräte (z.B. Mobiltelefone, GSM-Telefone) in der Nähe von medizinischen elektrischen Geräten ist nicht gestattet.

DE

11.2 Elektrische Anschlüsse



Elektrische Anschlüsse, die mit diesem Warnschild gekennzeichnet sind, dürfen nicht berührt werden. Es dürfen keine Verbindungen zwischen diesen Steckern und Buchsen hergestellt werden, ohne dass ESD-Schutzmaßnahmen durchgeführt worden sind.

ESD-Schutzmaßnahmen sind:

- Anlegen des Potentialausgleiches (PE) an alle zu verbindenden Geräte (wenn an Ihren Geräten vorhanden)
- Ausschließliche Verwendung des benannten Zubehörs

ESD-Schutzmaßnahmen

Das Personal ist über die ESD-Schutzmaßnahmen zu informieren bzw. zu schulen.

DE

11.3 Leitlinien und Herstellererklärung / Elektromagnetische Aussendungen

Das Aquilex Fluid Control System ist für den Betrieb in einer wie weiter unten beschriebenen elektromagnetischen Umgebung bestimmt. Der Anwender des Aquilex Fluid Control System sollte sicherstellen, dass das Gerät in einer derartigen Umgebung betrieben wird.

Störaussendungs-messungen	Übereinstimmung	Elektromagnetische Umgebung / Leitlinien
HF-Aussendung nach CISPR11	Gruppe 1	Das Aquilex Fluid Control System verwendet HF-Energie ausschließlich für seine internen Funktionen. Daher ist seine HF-Aussendung sehr gering und es ist unwahrscheinlich, dass benachbarte elektronische Geräte gestört werden.
HF-Aussendung nach CISPR11	Klasse B	Das Aquilex Fluid Control System ist für den Gebrauch in allen Einrichtungen einschließlich derer im Wohnbereich und solcher geeignet, die unmittelbar an ein öffentliches Versorgungsnetz angeschlossen sind, das auch Gebäude versorgt, die zu Wohnzwecken benutzt werden.
Aussendung von Oberschwingungen nach IEC 61000-3-2	Klasse A	
Aussendungen von Spannungsschwankungen / Flicker nach IEC 61000-3-3	Stimmt überein	

11.4 Leitlinien und Herstellererklärung / Elektromagnetische Störfestigkeit


Das Aquilex Fluid Control System ist für den Betrieb in einer wie weiter unten beschriebenen elektromagnetischen Umgebung bestimmt. Der Anwender des Aquilex Fluid Control System sollte sicherstellen, dass das Gerät in einer derartigen Umgebung betrieben wird.

Störfestigkeitsprüfungen	Prüfpegel	Übereinstimmung	Elektromagnetische Umgebung / Leitlinien
Entladung statischer Elektrizität (ESD) nach IEC 61000-4-2	± 6 kV Kontaktentladung ± 8 kV Luftentladung	Stimmt überein	Fußböden sollten aus Holz oder Beton bestehen oder mit Keramikfliesen versehen sein. Wenn der Fußboden mit synthetischem Material versehen ist, muss die relative Luftfeuchte mindestens 30% betragen.
Schnelle transiente elektrische Störgrößen / Bursts nach IEC 61000-4-4	± 2 kV für Netzleitungen ± 1 kV für Eingangs- und Ausgangsleitungen	Stimmt überein	Die Qualität der Versorgungsspannung sollte der einer typischen Geschäfts- oder Krankenhausumgebung entsprechen.
Stoßspannungen (Surges) nach IEC 61000-4-5	± 1 kV Gegenkontaktspannung, ± 2 kV Gleichkontaktspannung	Stimmt überein	Die Qualität der Versorgungsspannung sollte der einer typischen Geschäfts- oder Krankenhausumgebung entsprechen.
Spannungseinbrüche, Kurzzeitunterbrechungen und Schwankungen der Versorgungsspannung nach IEC 61000-4-11	< 5% U_T^* (> 95% Einbruch der U_T) für 1/2 Zyklus	Stimmt überein	Die Qualität der Versorgungsspannung sollte der einer typischen Geschäfts- oder Krankenhausumgebung entsprechen. Wenn der Anwender des Systems fortgesetzte Funktion auch beim Auftreten von Unterbrechungen der Energieversorgung fordert, wird empfohlen, das Gerät aus einer unterbrechungsfreien Stromversorgung zu speisen.
	40% U_T (60% Einbruch der U_T) für 5 Zyklen		
	70% U_T (30% Einbruch der U_T) für 25 Zyklen		
	< 5% U_T (> 95% Einbruch der U_T) für 5 Zyklen		
Magnetfeld bei der Versorgungsfrequenz (50/60 Hz) nach IEC 61000-4-8	3 A/m	Stimmt überein	Magnetfelder bei der Netzfrequenz sollten den typischen Werten, wie sie in der Geschäfts- und Krankenhausumgebung vorzufinden sind, entsprechen.

*Anmerkung: U_T ist die Netzwechselfrequenz vor der Anwendung der Prüfpegel.

DE

11.5 Leitlinien und Herstellererklärung / Elektromagnetische Störfestigkeit

Störfestigkeitsprüfungen	Prüfpegel	Übereinstimmung	Elektromagnetische Umgebung / Leitlinien
Geleitete HF-Störgrößen nach IEC 61000-4-6	3 V _{eff} 150 kHz bis 80 MHz	Stimmt überein	<p>Tragbare und mobile Funkgeräte sollten in keinem geringeren Abstand zur Aquilex Fluid Control System einschließlich Leitungen verwendet werden, als dem empfohlenen Schutzabstand, der nach der für die Sendefrequenz zutreffenden Gleichung berechnet wird. Empfohlene Schutzabstände:</p> <p>$d = 1,2\sqrt{P}$ für 150 KHz bis 80 MHz $d = 1,2\sqrt{P}$ für 80 MHz bis 800 MHz $d = 2,3\sqrt{P}$ für 800 MHz bis 2,5 GHz</p> <p>Mit P als Nennleistung des Senders in Watt [W] gemäß den Angaben des Senderherstellers und d als empfohlenem Schutzabstand in Metern [m].</p> <p>Die Feldstärke stationärer Funksender sollte bei allen Frequenzen gemäß einer Untersuchung vor Ort ^a geringer als der Übereinstimmungspegel sein. ^b</p> <p>In der Umgebung von Geräten, die das folgende Bildzeichen tragen, sind Störungen möglich.</p> 
Gestrahlte HF-Störgrößen nach IEC 61000-4-3	3 V/m 80 MHz bis 2,5 GHz	Stimmt überein	

Anmerkung 1: Bei 80 MHz und 800 MHz gilt der höhere Frequenzbereich.

Anmerkung 2: Diese Leitlinien mögen nicht in allen Fällen anwendbar sein. Die Ausbreitung elektromagnetischer Größen wird durch Absorptionen und Reflexionen der Gebäude, Gegenstände und Menschen beeinflusst.

^a Die Feldstärke stationärer Sender, wie z. B. Basisstationen von drahtlosen Telefonen und Funktelefonen, Amateurfunkstationen, AM- und FM-Rundfunk- und Fernsehsendern können theoretisch nicht genau vorbestimmt werden. Um die elektromagnetische Umgebung hinsichtlich der stationären Sender zu ermitteln, sollte eine Studie des Standorts erwogen werden. Wenn die gemessene Feldstärke an dem Standort, an dem das Aquilex Fluid Control System benutzt wird, die obigen Übereinstimmungspegel überschreitet, sollte das Aquilex Fluid Control System beobachtet werden, um die bestimmungsgemäße Funktion nachzuweisen. Wenn ungewöhnliche Leistungsmerkmale beobachtet werden, können zusätzliche Maßnahmen erforderlich sein, wie z.B. eine veränderte Ausrichtung oder ein anderer Standort des Aquilex Fluid Control System.

^b Über den Frequenzbereich von 150 kHz bis 80 MHz sollte die Feldstärke geringer als 3 V/m sein.

11.6 Empfohlene Schutzabstände zwischen tragbaren und mobilen HF-Telekommunikationsgeräten und Aquilex Fluid Control System

Das Aquilex Fluid Control System ist für den Betrieb in einer elektromagnetischen Umgebung bestimmt, in der die HF-Störgrößen kontrolliert sind. Der Anwender des Aquilex Fluid Control System kann dazu beitragen elektromagnetische Störungen zu vermeiden, indem er den Mindestabstand zwischen tragbaren und mobilen HF-Telekommunikationsgeräten (Sendern) und dem Aquilex Fluid Control System, abhängig von der Ausgangsleistung des Kommunikationsgerätes, wie unten angegeben einhält.

DE

Nennleistung des Senders [W]	Schutzabstand abhängig von der Sendefrequenz [m]		
	150 kHz bis 80 MHz $d = 1,2\sqrt{P}$	80 MHz bis 800 MHz $d = 1,2\sqrt{P}$	800 MHz bis 2,5 GHz $d = 2,3\sqrt{P}$
0,01	0,12	0,12	0,23
0,1	0,38	0,38	0,73
1	1,2	1,2	2,3
10	3,8	3,8	7,3
100	12	12	23

Für Sender, deren maximale Nennleistung in obiger Tabelle nicht angegeben ist, kann der empfohlene Schutzabstand d in Metern [m] unter Verwendung der Gleichung ermittelt werden, die zur jeweiligen Spalte gehört, wobei P die maximale Nennleistung des Senders in Watt [W] gemäß Angabe des Senderherstellers ist.

Anmerkung 1: Bei 80 MHz und 800 MHz gilt der höhere Frequenzbereich.

Anmerkung 2: Diese Leitlinien mögen nicht in allen Fällen anwendbar sein. Die Ausbreitung elektromagnetischer Größen wird durch Absorptionen und Reflexionen der Gebäude, Gegenstände und Menschen beeinflusst.

12 Zubehörliste

Nachfolgende Zubehörgruppen stehen zur Verfügung:

Artikel	Bestellnummer
Aquilex Fluid Control System Komplettes Schlauchset (Inflow und Outflow)	AQL-112
Aquilex Fluid Control System Schlauchset Vakuum (hohes und niedriges)	AQL-114
Aquilex Fluid Control System Behälterringe	AQL-200
Aquilex Fluid Control System MyoSure® Netzkabel	AQL-213
Aquilex Fluid Control System Netzkabel (US)	AQL-215
Aquilex Fluid Control System Netzkabel (UK)	AQL-216
Aquilex Fluid Control System Netzkabel (EU)	AQL-217

13 Informationen zur Gewährleistung

Hologic gewährt dem ursprünglichen Käufer des Aquilex Fluid Control System eine Garantie über die Freiheit von Material- und Herstellungsfehlern, vorausgesetzt, es wird bestimmungsgemäß unter üblichen Operationsbedingungen sowie unter Einhaltung der Gebrauchs- und Wartungsanweisungen eingesetzt. Hologics Verpflichtung im Rahmen dieser Gewährleistung beschränkt sich auf kostenlose Reparatur oder kostenlosen Austausch nach Ermessen von Hologic innerhalb eines Jahres ab Kaufdatum. Alternativ kann Hologic den ursprünglichen Käufer mit einer Summe oder einer Gutschrift entschädigen, die dem Kaufpreis des defekten Systems entspricht.

DIESE GEWÄHRLEISTUNG GILT ANSTELLE JEDLICHER ANDEREN, AUSDRÜCKLICHEN ODER STILLSCHWEIGENDEN GARANTIE FÜR MARKTFÄHIGKEIT UND GEBRAUCHSTAUGLICHKEIT SOWIE ALLER ANDEREN VERPFLICHTUNGEN UND HAFTUNGEN VONSEITEN HOLOGICS. HOLOGICS GESAMTE GEWÄHRLEISTUNGSPFLICHT BESCHRÄNKT SICH AUSDRÜCKLICH AUF REPARATUR ODER AUSTAUSCH (NACH ERMESSEN VON HOLOGIC UND IN DER URSPRÜNGLICH VERSANDTEN FORM) DES GERÄTS BZW. NACHBESSERUNG DES SERVICES ODER, NACH ERMESSEN VON HOLOGIC, DIE ENTSCHÄDIGUNG DES KUNDEN DURCH RÜCKZAHLUNG ODER GUTSCHRIFT EINES BETRAGS, DER DEM PREIS ODER HONORAR VON HOLOGIC HIERFÜR ENTSpricht. DIESE EINGESCHRÄNKTE GEWÄHRLEISTUNG GILT NUR FÜR DEN URSPRÜNGLICHEN KÄUFER UND WIRD AUSNAHMSLOS NICHT AUF DRITTE AUSGEDEHNT, AUCH NICHT AUF KUNDEN DES KÄUFERS. DIESE GEWÄHRLEISTUNG ERLISCHT, WENN DAS PRODUKT VOM KÄUFER AN EINE ENTITÄT ÜBERGEBEN WIRD, DIE WENIGER ALS FÜNFZIG (50) PROZENT EIGENTUM AN DEM PRODUKT ERWIRBT. DIESE GEWÄHRLEISTUNG GILT NICHT FÜR EIN AQUILEX SYSTEM ODER EIN AQUILEX FLUID CONTROL SYSTEM, DAS UNFALL, FAHRLÄSSIGKEIT, VERÄNDERUNGEN ODER MISSBRAUCH AUSGESETZT WAR ODER VON EINER NICHT DURCH HOLOGIC AUTORISIERTEN PERSON REPARIERT, BEWEGT ODER VERÄNDERT WURDE. HOLOGIC ÜBERNIMMT KEINERLEI GARANTIE FÜR ZUBEHÖR ODER TEILE, DIE MIT DEM AQUILEX FLUID CONTROL SYSTEM EINGESETZT WERDEN, ABER NICHT VON HOLOGIC GELIEFERT UND/ODER HERGESTELLT WURDEN. DER BEGRIFF „URSPRÜNGLICHER KÄUFER“ IM SINNE DIESER GEWÄHRLEISTUNG MEINT DIE PERSON ODER ORGANISATION UND IHRE MITARBEITER, WENN VORHANDEN, AN DIE DAS AQUILEX SYSTEM VON HOLOGIC VERKAUFT WURDE.

Technischer Kundendienst und Informationen zur Rückgabe

Wenn das Aquilex Fluid Control System nicht bestimmungsgemäß funktioniert, wenden Sie sich an den Technischen Kundendienst von Hologic. Wenn das Gerät aus irgendeinem Grund an Hologic zurückgeschickt werden soll, erhalten Sie vom Technischen Kundendienst eine RMA-Nummer (Returned Materials Authorization). Senden Sie das Aquilex System gemäß den Anweisungen des Technischen Kundendienstes zurück. Achten Sie darauf, dass das Aquilex System vor der Rücksendung mit einem sauberen, feuchten Tuch und einem Germizid oder Isopropanol gründlich abgewischt wird.

Hologic und seine Vertriebsstellen und Kunden in der Europäischen Gemeinschaft unterliegen der WEEE-Richtlinie 2002/96/EC bezüglich Abfall aus elektrischen und elektronischen Geräten. Hologic ist außerdem bestrebt, die landesspezifischen Anforderungen an die umweltgerechte Entsorgung seiner Produkte einzuhalten. Es ist das erklärte Ziel von Hologic, den aus der Entsorgung von elektrischen und elektronischen Geräten resultierenden Abfall zu reduzieren. Hologic ist sich des Nutzens bewusst, solche Geräte einer potenziellen Wiederverwendbarkeit, Aufbereitung, Recycling oder Rückgewinnung zu unterwerfen, um die Menge gefährlicher Substanzen zu verringern, die in die Umwelt gelangen können. Die Kunden von Hologic in der Europäischen Gemeinschaft sind dafür verantwortlich, dass mit dem folgenden Symbol (WEEE-Richtlinie ist anzuwenden) gekennzeichnete Medizingeräte nicht im Haushaltsmüll entsorgt werden, es sei denn, es liegt eine entsprechende Genehmigung der örtlichen Behörden vor.



Sprechen Sie den Technischen Kundendienst von Hologic an, um eine vorschriftsmäßige Entsorgung des Aquilex Systems in Übereinstimmung mit der WEEE-Richtlinie zu veranlassen.

Hologic Technischer Kundendienst

USA und Kanada:

Telefon: 1.800.442.9892 (gebührenfrei) oder 1.508.263.2900

Fax: 1.508.229.2795

EU-Bevollmächtigter:

Telefon: +32 2 255 17 74

14 Glossar

Begriff	Erklärung
Embolie	Plötzlicher Blutgefäßverschluss durch einen Embolus.
Flowrate	Menge (in ml) an Spülflüssigkeit, die pro Minute durch das Schlauchset fließt
Hypervolämie	Erhöhung der Blutmenge im Kreislauf
Hyponatriämie	Verminderte Natriumkonzentration (< 130 mmol/l) im Patientenblut
Hysteroskop	Endoskop für Einblicke in den Uterus
Intrauteriner Druck	Druck im Cavum uteri
Intravasation	Eindringen von Fremdkörpern in ein Blutgefäß
Kontamination	Die Verunreinigung von Räumen, Wasser, Lebensmitteln, Gegenständen oder Personen durch Mikroorganismen oder durch radioaktive Stoffe, biologische Gifte oder chem. Stoffe
Kontraindikation	Umstände (z. B. Lebensalter, Schwangerschaft, eine bestimmte Krankheit bzw. Arzneimittelbehandlung), die eine – an sich angezeigte – Maßnahme verbieten (einer Indikation entgegenstehen)
Kochsalzlösung	Isotonische Kochsalzlösung, d. h., ein Liter (l) enthält 9,0 Gramm (g) Natriumchlorid
TUR-Syndrom	Transurethrales Resektionssyndrom

Index**A**

Amerikanisches Bundesrecht 4
An Steckdose anschließen 12
Anwendungsgebiet 5
Autorisierte Servicetechniker 4

B

Bescheinigung 28
Bestimmungsgemäßer Gebrauch 4

D

Defiziterhöhung >300 ml/min 27
Druckeinstellung beim Wiedereinschalten 27
Druckmessung und -regelung 11
Durchführung des Test der Flowrate 31

E

Entsorgung 4
Erste Systemeinrichtung 12
ESD-Schutzmaßnahmen 39

F

Flüssigkeitsbeutel anschließen 24

H

Haftungsausschluss 4
Herstellervorschrift 30

K

Kapazität der Waage 16
Kontraindikationen 5

N

Nur für den US-Anwender 12

P

Pflege und Wartung 4, 28
Potentialausgleich 12
Präzise Bilanzierung 16

S

Schlauchset einlegen 24
Schlauchset-Erkennung 19
Schutzkontakt 12
Schwerwiegender Systemfehler 27
Sicherheitsschwelle 24

T

Technische Änderungen vorbehalten 3
Technischer Anwendungsbereich 10
Tests bei der Inspektion 30

U

Umkarton öffnen 23

V

Vorsichtsmaßnahmen 12

W

Waage im Betrieb be-/entladen 27
Waage überlastet 27

Table de matières

1	Instructions importantes portant sur l'emploi	3
2	Instructions de sécurité	4
3	But d'utilisation	5
3.1	Avertissements et mesures de précaution	5
3.1.1	Dangers	5
3.1.2	Mesures de précaution	10
3.2	Description de l'Aquilex Fluid Control System	10
4	Première installation du système	12
4.1	Préparation du système.....	12
4.2	Structure du système.....	13
5	Utilisation du système	14
5.1	Face avant de la pompe	14
5.2	Face arrière de la pompe	14
5.3	Support avec unité de pesage	15
5.3.1	Paramétrage de l'unité de pesage	16
5.3.2	Raccordement de la tubulure à vide	17
5.4	Mise en marche du système Aquilex	18
5.5	Suspension des poches de liquide	19
5.6	Utilisation du lot de tubulures	19
5.7	Aperçu des tubulures	20
5.8	Raccordement du lot de tubulures de sortie	21
5.8.1	Raccord d'écoulement MyoSure®	22
5.9	Introduction du lot de tubulures d'entrée.....	23
5.10	Présélection de la pression intra-utérine de consigne.....	24
5.11	Paramétrer la limite du déficit.....	25
5.12	Utilisation de la pompe pendant une opération	25
5.13	Changement de récipient en cours d'intervention.....	26
5.14	Volume total affiché	26
5.15	Arrêt du système	26
6	Fonctions de sécurité	27
7	Entretien et maintenance	28
7.1	Nettoyage du système	28
7.2	Maintenance par le technicien habilité	28
7.3	Remplacement du fusible	28
8	Inspection annuelle	30
8.1	Test de sécurité	30
8.2	Réalisation des tests fonctionnels de base	30
8.3	Test de l'unité de pesage	30
8.4	Test du taux de débit	31
8.5	Test de mesure de la pression.....	32
8.6	Test de mesure du déficit de liquide	33
8.7	Test opérationnel de la pompe à vide.....	34
9	Messages d'erreur et d'avertissement	35
10	Caractéristiques techniques	37
11	Consignes et explications du fabricant - compatibilité électromagnétique	39
11.1	Influence des équipements et systèmes HF mobiles et portables.....	39
11.2	Branchements électriques.....	39
11.3	Lignes directrices et explications du fabricant – Emissions électromagnétiques.....	40
11.4	Lignes directrices et explications du fabricant – Immunité aux parasites électromagnétiques	41
11.5	Lignes directrices et explications du fabricant – Immunité aux parasites électromagnétiques	42
11.6	Distances de sécurité recommandées entre les appareils de télécommunication HF portables et mobiles et l'Aquilex Fluid Control System	43
12	Liste des accessoires	44
13	Informations relatives à la garantie	45
14	Glossaire	47
15	Annexe	48
15.1	Procès-verbal de tests	48
	Index alphabétique	49

1 Instructions importantes portant sur l'emploi

Veuillez lire attentivement le manuel et plus particulièrement les instructions de sécurité de l'Aquilex® Fluid Control System (système Aquilex) avant d'utiliser cet appareil en salle d'opération ! En effet, si vous ne respectez pas les instructions dans le manuel d'utilisation ceci peut entraîner :

- des graves blessures du patient,
- des graves blessures de l'équipe chirurgicale, de l'équipe de soins ou encore du personnel de service,
- des dégradations ou encore une panne du système et des accessoires.

Le fabricant se réserve le droit de livrer un produit différant légèrement des illustrations et des données techniques indiquées, suite notamment au développement technique du produit.

Les paragraphes portant la mention DANGER, ATTENTION et REMARQUE sont particulièrement importants. Veuillez lire ces paragraphes avec la plus grande attention.

DANGER !

La sécurité du patient, ou de l'utilisateur peut être menacée. Veuillez observer expressément cet avertissement pour ne pas risquer de blesser le patient ou l'utilisateur.

ATTENTION !

Les avertissement indiquent des risques pour le système. Veuillez observez cet avertissement afin d'éviter d'endommager le système.

REMARQUE !

Les notes contiennent des informations supplémentaires ou spéciales pour clarifier les instructions.

Sous réserve de modifications techniques

FR

Observation



Législation fédérale américaine (uniquement marché US)

Non-responsabilité

Techniciens de maintenance habilités

Utilisation conforme

Entretien et maintenance

Élimination des déchets



2 Instructions de sécurité

Attention : selon la législation américaine, l'utilisation de l'appareil est exclusivement réservée à un médecin ou doit se faire sur ordonnance d'un médecin.

Hologic se dégage de toute responsabilité en cas de dommages directs ou indirects et la garantie s'éteint si :

- le système et/ou les accessoires sont utilisés de manière non conforme, ou s'ils n'ont pas été préparés et maintenus correctement,
- les instructions du manuel ne sont pas respectées,
- des personnes non habilitées ont effectué des réparations, des réglages, des modifications sur le système ou sur les accessoires,
- des personnes non habilitées ont ouvert le système,
- les intervalles d'inspection et de maintenance prescrits n'ont pas été respectés.

La possession de documentations techniques d'Hologic n'est pas suffisante pour réaliser des réparations, des réglages, des modifications du système ou des accessoires.

L'exécution de réparations, de réglages ou de modifications sur le système et/ou les accessoires doit être confiée exclusivement à des techniciens de maintenance habilités. Seulement les techniciens de maintenance habilités peuvent utiliser le menu de service. Tout non-respect de ces consignes exclut la responsabilité du fabricant. Seul le fabricant peut former et assermenter les techniciens de maintenance habilités.

Le système ne doit être utilisé que pour l'emploi auquel il est destiné.

Un entretien et une maintenance du système et de ses accessoires conformes aux prescriptions sont absolument requis afin d'assurer un fonctionnement fiable et sûr. En conséquence, vous êtes tenu de contrôler les fonctionnalités et l'intégralité du matériel avant toute utilisation afin de protéger aussi bien le patient que l'équipe chirurgicale.

Au sein de l'Union européenne, ce symbole indique que les équipements électriques et électroniques usagés ne doivent pas être mis au rebut comme les déchets ménagers ordinaires et doivent être collectés séparément. Pour plus d'informations, veuillez contacter Hologic ou une société d'élimination des déchets agréée.

3 But d'utilisation

L'Aquilex® Fluid Control System sert à dilater l'utérus par injection de liquides de lavage pour une hystérocopie aussi bien diagnostique qu'opératoire. Il contrôle la différence de volume entre le liquide injecté pour le lavage et le liquide qui s'écoule de la cavité utérine.

L'utilisation du système pour l'injection de liquides dans la cavité utérine est interdite si une hystérocopie est contre-indiquée. Veuillez observer les contre-indications spécifiques et relatives stipulées dans la notice d'instructions de l'hystéroscope.

Contre-indications relatives à une ablation de l'endomètre :

Une ablation hystérocopique de l'endomètre par chirurgie au laser ou par électrochirurgie ne devrait être réalisée que lorsque le chirurgien a suivi un stage de formation approprié et possède une expérience clinique adéquate. Avant de détruire l'endomètre, une ponction tissulaire est indispensable. Les conditions cliniques suivantes sont susceptibles de compliquer considérablement le déroulement d'une ablation hystérocopique de l'endomètre :

- Hyperplasie adénomateuse de l'endomètre
- Léiomyome utérin
- Grave adénomyose (endométriose)
- Douleurs pelviennes (maladie pelvienne inflammatoire subtile)
- Anomalies de l'utérus
- Facultés chirurgicales (cf. en haut)
- Grave anémie
- Impossibilité de contourner le myome du fait de sa taille - myomes intramuraux prépondérants avec petits composants submuqueux.

3.1 Avertissements et mesures de précaution

3.1.1 Dangers

DANGER !

En cas d'utilisation d'appareils d'électrochirurgie hystérocopique monopolaire, il est important que le liquide soit non conducteur de courant. Exemple de liquides non conducteurs de courant : glycine, sorbitol et mannitol. Les liquides de rinçage à base de solution saline isotronique ne doivent être employés que lors de la réalisation de résections électrochirurgicales bipolaires.



DANGER !

Pour assurer une dilatation intra-utérine adéquate et afin de limiter les forces que le liquide, l'air ambiant et/ou le gaz sont susceptibles d'introduire dans la circulation, la pression doit être maintenue la plus faible possible.



DANGER !

Une distension intra-utérine peut normalement être obtenue avec des valeurs de pression comprise entre 35 et 70 mmHg. À part dans quelques cas exceptionnels, une pression supérieure à 75-80 mmHg n'est requise qu'en présence d'une pression artérielle excessive.



DANGER !

En cas d'utilisation du support avec unité de pesage, les instructions d'utilisation du présent manuel doivent être observées attentivement.





DANGER !

Fluid overload (surcharge liquidienne)

Du liquide injecté peut pénétrer par l'utérus dans le sang ou les tissus de la patiente. Cela peut être dû à la pression de distension, au débit, à une perforation de la cavité utérine ou à la durée de l'hystérocopie. Il est très important de surveiller en permanence l'injection et l'écoulement du liquide de dilatation.



DANGER !

Déficit de liquide

Il est nécessaire de contrôler la quantité de liquide restant dans la patiente. Le déficit est la quantité totale de liquide qui reste dans la patiente ou qui ne peut pas être attribuée. La tolérance de mesure du système doit être prise en compte (voir chapitre 11, Technical Data). L'estimation de la quantité de liquide qui reste dans la patiente relève du jugement et de la responsabilité du médecin.



DANGER !

Surveillance de l'injection et de l'écoulement

L'entrée et la sortie des liquides doit être surveiller très attentivement. Lorsqu'un liquide peu visqueux est utilisé, il convient de surveiller très attentivement toute injection intra-utérine de plus de 2 litres de liquide car il existe un risque de « fluid overload (surcharge liquidienne) ». Si le liquide est très visqueux (par ex. Hyskon), il convient de surveiller très attentivement toute injection de plus de 500 ml. Pour plus d'informations, reportez-vous à la description du produit pour Hyskon.



DANGER !

Concentration de sodium dans le sérum sanguin

Il est nécessaire de contrôler la concentration de sodium dans le sérum sanguin de la patiente afin d'éviter un déséquilibre électrolytique. Il incombe au médecin de surveiller la concentration de sodium dans le sang ; le système ne s'en charge pas et ne permet pas de le faire.



DANGER !

En cas de panne de courant ou d'interruption momentanée, l'affichage du déficit disparaît.



DANGER !

Hyponatrémie

Certains liquides peuvent entraîner un fluid overload (surcharge liquidienne), suivie d'une hyponatrémie et des conséquences associées. Ceci est dû à la pression de distension, au débit et à la durée de l'hystérocopie. Il est très important de surveiller en permanence l'injection et l'écoulement du liquide de dilatation.



DANGER !

Œdème pulmonaire

Une hystérocopie peut entraîner un risque d'œdème pulmonaire dû à une surcharge de liquide isotonique. Il est très important de surveiller en permanence l'injection et l'écoulement du liquide de dilatation.

DANGER !**Œdème cérébral**

Une hystérocopie expose à un risque d'œdème cérébral dû à un fluid overload (surcharge liquidienne) et à un déséquilibre électrolytique en cas d'utilisation de liquides hyposmolaires (non ioniques) tels que la glycine 1,5 % et le sorbitol 3,0 %. Il est très important de surveiller en permanence l'injection et l'écoulement du liquide de dilatation.

**DANGER !****Réactions idiosyncrasiques**

Dans de rares cas, des réactions idiosyncrasiques telles que

- la coagulopathie intravasculaire
- une réaction allergique, y compris l'anaphylaxie

peuvent survenir lors d'une hystérocopie lorsqu'un liquide de distension est injecté. Des réactions anaphylactiques idiosyncrasiques ont notamment été observées lors de l'utilisation d'Hyskon comme liquide de rinçage pendant une hystérocopie. Elles doivent être traitées comme les autres réactions allergiques.



FR

DANGER !**Hypothermie (surveillance de la température corporelle)**

En cas d'hystérocopie, l'écoulement continu du liquide de distension peut entraîner une chute de la température corporelle de la patiente. Une température corporelle basse peut engendrer des problèmes au niveau des vaisseaux coronaires et du système cardiovasculaire. Pour cette raison, surveillez la température corporelle de la patiente pendant toute l'opération. Veillez en particulier à ce que les conditions opératoires suivantes pouvant favoriser l'hypothermie soient évitées autant que possible :

- longue durée de l'opération
- utilisation d'un liquide de rinçage froid.

**DANGER !****Rupture de la trompe de Fallope à la suite d'une occlusion de la trompe de Fallope**

La dilatation de l'utérus peut entraîner la formation d'une fissure dans la trompe de Fallope lorsque celle-ci est bloquée ou obstruée en permanence. Du fait de la rupture, le liquide de rinçage peut s'écouler dans la cavité péritonéale de la patiente et entraîner un fluid overload (surcharge liquidienne). Il est très important de surveiller en permanence l'injection et l'écoulement du liquide de dilatation.

**DANGER !**

Si l'air contenu dans les tubulures ou dans l'instrument branché arrivait dans le corps de la patiente, celle-ci pourrait faire une embolie gazeuse. La poche de liquide doit toujours contenir du liquide afin que de l'air ne puisse pas être injecté dans la patiente.

**DANGER !**

Le système est exclusivement destiné à l'utilisation de poches de liquide souples. Les récipients en verre ne doivent pas être utilisés car ils risquent de se briser. En raison de la dépression qui se forme dans la bouteille, l'arrivée du liquide ne peut plus s'effectuer suffisamment rapidement et risque de faire imploser le récipient.





DANGER !

Le remplissage des tubulures avec le liquide de rinçage et la réinitialisation de l'affichage du déficit sont à la libre appréciation du médecin.



DANGER !

Le système doit être installé de sorte que l'on puisse observer à tout moment les valeurs affichées ainsi que le cours du fonctionnement du système et avoir immédiatement accès aux éléments de commande.



DANGER !

Si une erreur du système est soupçonnée, voire constatée pendant le contrôle, n'utilisez pas le système. Il en va de même si des erreurs et dommages externes surviennent, notamment au niveau des prises ou du câble secteur.



DANGER !

Le commutateur ON/OFF ne vous permet pas de mettre le système hors tension. Pour ce faire, il faut débrancher la fiche au dos du système.



DANGER !

Technique et méthode

C'est uniquement au médecin qu'il revient de décider si, du point de vue clinique, le système peut être utilisé sur la patiente. Le médecin doit déterminer quelle est la technique et quelle est la méthode à appliquer afin d'obtenir le résultat clinique souhaité.



DANGER !

Veillez vérifier tous les préréglages.

Les réglages départ usine ne constituent pas de prescriptions vis-à-vis du médecin. En effet, le médecin est personnellement responsable de tous les réglages concernant ses conditions spécifiques d'intervention.



DANGER !

Accessoires d'origine

Pour assurer votre propre sécurité ainsi que celle de votre patient, seule l'utilisation d'accessoires Aquilex est autorisée.



DANGER !

Risques d'explosions

Le système n'est pas protégé contre les explosions. Assurez-vous que l'appareil n'est pas exposé à des gaz d'anesthésie explosifs lorsqu'il est sous tension.



DANGER !

Aucune modification n'est autorisée sur le système.

DANGER !

Pour éviter tout risque de choc électrique, ce système doit être connecté à l'alimentation secteur avec le conducteur de protection.

**DANGER !****Qualification professionnelle**

Ce manuel ne contient pas de descriptions ni d'instructions méthodologiques relatives aux techniques opératoires. Il ne convient pas non plus à l'apprentissage par des débutants des techniques d'intervention chirurgicales. L'utilisation des instruments et des systèmes médicaux est strictement réservée à des médecins disposant d'une qualification professionnelle appropriée et dans des installations prévues à cet effet.

**DANGER !****Moyens et accessoires stériles**

Vous êtes tenu de travailler exclusivement avec des substances et des moyens stériles, un liquide stérile et des accessoires stériles, lorsque cela est indiqué.

**DANGER !****Système de réserve et accessoires**

Veillez à prévoir à portée de main un système de réserve et des accessoires de remplacement afin de pouvoir terminer l'opération avec ceux-ci en cas de panne du système ou d'un des accessoires.

**DANGER !****Nettoyage du système**

Le système ne doit en aucun cas être stérilisé.

**DANGER !****Gouttes d'eau**

Protégez le système de l'humidité. N'utilisez pas le système lorsque de l'eau a pénétré à l'intérieur.

**DANGER !****Panne du système**

N'utilisez pas le système si une panne du système est supposée ou confirmée. Faire en sorte que le système ne soit pas réutilisé avant d'avoir été contrôlé par un technicien de maintenance habilité.

**DANGER !****Changer le fusible**

Lors du remplacement du fusible, veillez à utiliser le type prescrit (voir chapitre 11, Technical Data).

**DANGER !**

Le système doit être installé de manière à faciliter le retrait du câble secteur.



3.1.2 Mesures de précaution



ATTENTION !

Législation fédérale américaine (uniquement marché US)

Selon la législation américaine, l'utilisation de l'appareil est exclusivement réservée à un médecin ou doit se faire sur ordonnance d'un médecin.



ATTENTION !

Lorsque le système Aquilex est utilisé avec MyoSure® ou un autre système morcellateur, la combinaison d'une pression de consigne faible avec une pression de vide trop élevée peut entraîner une perte significative de la pression de distension intra-utérine, ce qui peut gêner la vision dans le champ opératoire. À l'inverse, en cas de pression de distension élevée, la mise hors tension de MyoSure® ou d'un autre système morcellateur peut conduire à des pics de pression de plus de 150 mmHg. Ce cas de figure peut survenir brièvement lorsque le système adapte automatiquement le débit pour revenir à la pression de consigne intra-utérine réglée.



ATTENTION !

Le système doit être utilisé avec des hystérosopes pour lesquels ils sont destinés, les données techniques doivent correspondre à une application conjointe. L'hystéroscope doit être conforme aux normes CE 60601-2-18 et ISO 8600 dans leurs versions les plus récentes.



ATTENTION !

Interférence électrique : (voir le chapitre 11, Consignes et explications du fabricant - compatibilité électromagnétique.) Ce système est conçu et testé afin de réduire l'interférence électrique avec d'autres appareils. Toutefois, en cas d'interférence avec d'autres appareils, ceci peut être corrigé par une ou plusieurs des mesures suivantes :

- réorienter ou installer le système Aquilex et/ou les autres systèmes ailleurs
- éloigner les différents systèmes les uns des autres
- demander l'avis d'un ingénieur biomédical



ATTENTION !

Vérifiez si la tension du secteur correspond aux indications de tension figurant sur la plaque signalétique au dos de la pompe. Une mauvaise tension peut entraîner des dysfonctionnements et la destruction du système.

3.2 Description de l'Aquilex Fluid Control System

Domaine d'utilisation technique

La pression intra-utérine de consigne se règle sur la face avant de la pompe. La plage de réglage possible est de 40 à 150 mmHg. Le débit d'injection maximum est de 800 ml/min et est réduit automatiquement par la pompe dès que la pression intra-utérine de consigne prescrite est atteinte.

Le liquide et le vide du système ont été conçus pour optimiser les performances du MyoSure® Tissue Removal System.

Fluides de distension possibles

L'Aquilex Fluid Control System peut être utilisé avec des fluides hypotoniques exempts d'électrolytes (par ex. glycine 1,5 % et sorbitol 3,0 %) ainsi que des fluides isotoniques riches en électrolytes (par ex. solution saline 0,9 % et solution Ringer Lactate).

Mesure et réglage de la pression

Le système fonctionne avec un système de pression n'ayant aucun point de

contact avec le liquide d'injection. La mesure de pression sans contact s'effectue grâce à l'intégration d'une chambre de pression dans les tubulures. La chambre de pression transmet la pression du liquide de rinçage au système électronique de l'appareil par une sonde. Le pressostat compare en permanence la pression intra-utérine de consigne prescrite à la pression intra-utérine pression réelle. Cet algorithme a pour fonction de maintenir la pression intra-utérine de consigne. Si la pression intra-utérine de consigne n'est pas atteinte, vérifiez que le système ne présente pas de fuites.

Première installation du système



Branchement à une prise secteur



Terre de protection

Uniquement pour l'opérateur US-Américain

Liaison équipotentielle

Mesures de précaution

4 Première installation du système

Vérifiez toujours toutes les pièces du système et les accessoires avant de procéder à la première installation du système. Si le système présente des défauts externes, adressez-vous à l'assistance technique d'Hologic (chapitre 13, Informations relatives à la garantie).

Placez le système sur une surface plane, dans un environnement sec. La température et l'humidité ambiantes doivent être conformes aux informations contenues dans le chapitre 11, Technical Data.

DANGER !

Le système doit être installé de manière à faciliter le retrait du câble secteur.

4.1 Préparation du système

ATTENTION !

Vérifiez si la tension du secteur correspond aux indications de tension figurant sur la plaque signalétique au dos du système. Une mauvaise tension peut entraîner des dysfonctionnements et la destruction du système.

Assurez-vous que l'installation correspond aux normes nationales du pays dans lequel l'appareil est installé. Le câble secteur doit être uniquement enfiché dans une prise de courant avec terre de protection (cf. DIN VDE 0107). Vous trouverez la tension de service sur la plaque signalétique à l'arrière de la pompe.

Le raccordement secteur doit se faire impérativement sur une prise équipée d'une terre de protection. Etablissez à nouveau la connexion entre le connecteur CEI placé sur la face arrière du système et une prise de contact de mise à la terre à l'aide du câble secteur Aquilex.

N'utilisez qu'une ligne de tension de secteur contrôlée (homologation UL) et démontable de type SJT, minimum 18 AWG, à 3 fils. Les contacts à fiche doivent être conformes aux prescriptions NEMA 5-15 ou/et CEI 320/CEE22. Le branchement du fil de protection n'est garanti que si le système est connecté à une prise d'hôpital installée réglementairement (Hospital Grade).

Connectez cette fiche, conformément aux mesures de sécurité en vigueur dans vos locaux.

Les appareils électriques médicaux sont soumis à des mesures de sécurité et de protection spéciales relatives à la compatibilité électromagnétique CEM (appelée CEM ci-après).

Ce système est exclusivement destiné aux utilisations décrites dans le manuel. Les conseils en matière de CEM doivent être impérativement respectés lors de l'installation et de la mise en service.

4.2 Structure du système

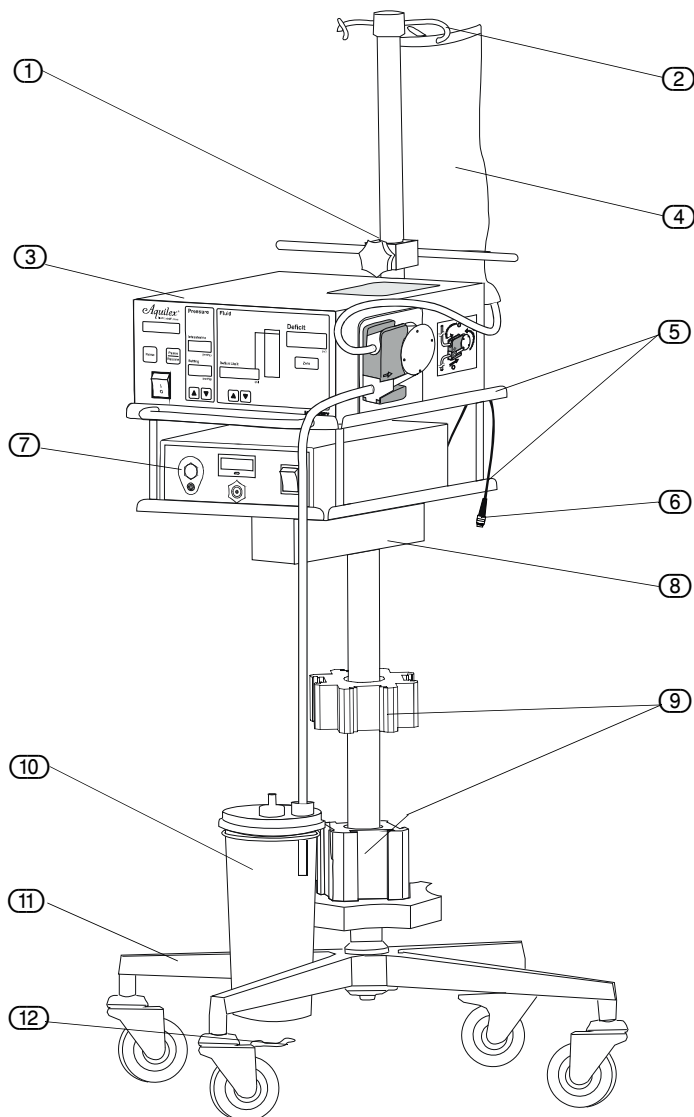


Fig. 4-1 Montage de l'Aquilex Fluid Control System

- ① Support
- ② Support de poche de liquide
- ③ Pompe
- ④ Poches de liquide
- ⑤ Plaques de support
- ⑥ Câble de l'unité de pesage
- ⑦ Unité de contrôle MyoSure®
- ⑧ Balance
- ⑨ Support pour récipients
- ⑩ Récipients
- ⑪ Pied à roulettes
- ⑫ Frein d'arrêt

FR

Pour l'expédition, l' Aquilex Fluid Control System est réparti dans deux cartons :

Le carton 1 contient :

- Pompe
- Manuel
- Câble secteur
- Lot de tubulures à vide Aquilex (vide faible et élevé)
- Câble secteur pour unité de contrôle MyoSure®

Le carton 2 contient :

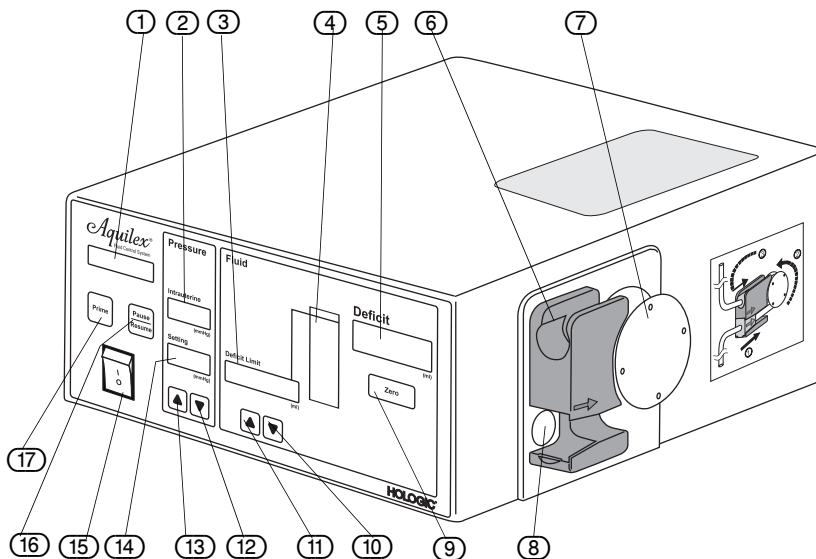
- Support avec unité de pesage
- Anneaux pour récipients

5 Utilisation du système

5.1 Face avant de la pompe

Fig. 5-1 Face avant de la pompe

- ① Affichage de la pompe
- ② Indicateur de la pression intra-utérine réelle
- ③ Indicateur de la limite du déficit de liquide
- ④ Indicateur de mesure du déficit
- ⑤ Indicateur de déficit
- ⑥ Support pour tubulure d'entrée
- ⑦ Roue dentée
- ⑧ Sonde de pression
- ⑨ Touche de remise à zéro pour le déficit
- ⑩ Diminution de la limite du déficit
- ⑪ Augmentation de la limite du déficit
- ⑫ Diminution du réglage de la pression intra-utérine de consigne
- ⑬ Augmentation du réglage de la pression intra-utérine de consigne
- ⑭ Indicateur de la pression intra-utérine de consigne
- ⑮ Commutateur ON/OFF
- ⑯ Touche Pause/Resume
- ⑰ Touche Prime

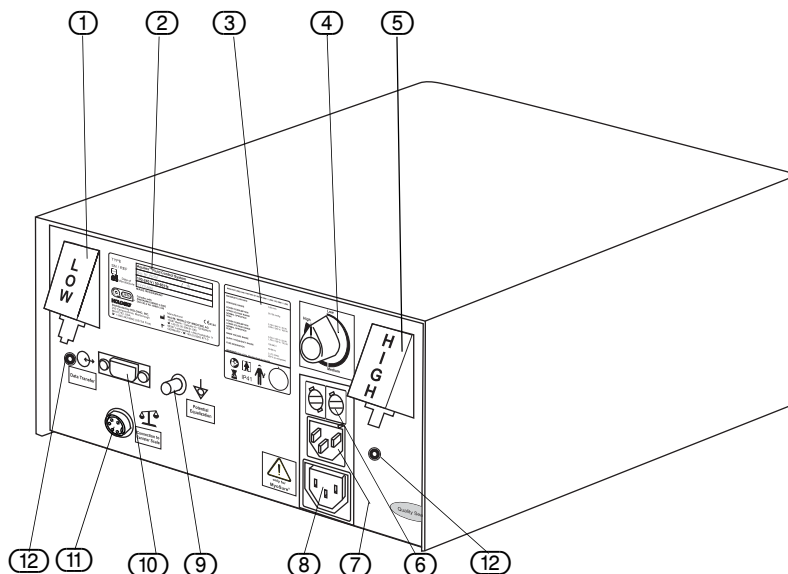


Familiarisez-vous avec la disposition des éléments de la face avant de la pompe.

5.2 Face arrière de la pompe

Fig. 5-2 Face arrière de la pompe

- ① Raccord pour vide faible (blanc)
- ② Étiquette du produit
- ③ Données de puissance de l'appareil
- ④ Bouton de réglage pour vide élevé
- ⑤ Raccord pour vide élevé (vert)
- ⑥ Porte-fusible
- ⑦ Prise pour câble secteur
- ⑧ Raccordement pour unité de contrôle MyoSure®
- ⑨ Prise pour la liaison équipotentielle
- ⑩ Interface service
- ⑪ Prise pour unité de pesage
- ⑫ Orifices d'évacuation



Familiarisez-vous avec la disposition des éléments de la face arrière de la pompe.

ATTENTION !

Les appareils périphériques devant être raccordés aux interfaces doivent être conformes à la norme EN 60950.



5.3 Support avec unité de pesage

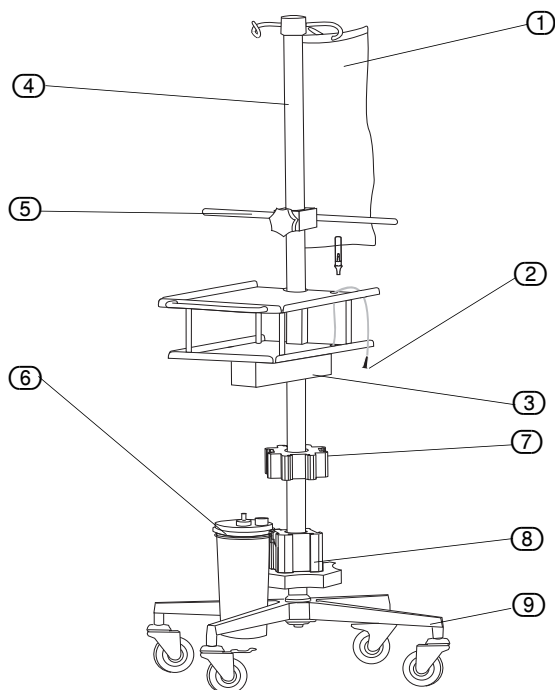


Fig. 5-3 Support avec unité de pesage

- ① Poches de liquide
- ② Câble de l'unité de pesage
- ③ Balance
- ④ Barre avec support de poche de liquide
- ⑤ Tendeur de poche
- ⑥ Récipients
- ⑦ Support pour récipients supérieurs (Serres, Medela, Baxter, Baxter flex)
- ⑧ Support pour récipients inférieurs (Abbott, Bemis, Medi-Vac, DeRoyal)
- ⑨ Pied à roulettes

FR

Le support avec unité de pesage se compose d'une unité de pesage pour les récipients, d'une barre avec crochets pour les poches de liquide de rinçage et d'un pied à roulettes.

1. Retirez le support avec unité de pesage du carton d'expédition.
2. Tirez la barre jusqu'à ce qu'elle atteigne sa position finale.
3. Sortez le tendeur de poche.
4. Prenez la pompe et le câble secteur dans le premier carton.
5. Suivant le type de récipient utilisé, installez les anneaux du deuxième carton sur le support pour récipients supérieur (7) ou inférieur (8).
6. Branchez le câble secteur dans la prise (7) Fig. 5-2, Face arrière de la pompe) au dos de la pompe et dans une prise de courant mise à la terre.
7. Raccordez l'unité de pesage à la pompe en branchant le câble de l'unité de pesage (2) Fig. 5-3, Support avec unité de pesage) dans la prise pour l'unité de pesage (11) Fig. 5-2, Face arrière de la pompe) :
8. Branchez le câble secteur fourni de l'unité de contrôle MyoSure® dans la prise (8) Fig. 5-2, Face arrière de la pompe) au dos de la pompe afin de relier celle-ci à l'unité de contrôle MyoSure®.

DANGER !**Erreur d'inscription au bilan**

Veillez à ce qu'aucune pièces n'entrent en contact avec l'unité de pesage lors du démarrage du système. Autrement, il peut s'ensuivre des erreurs d'inscription au bilan du liquide.

**DANGER !****Déficit de liquide**

Il est nécessaire de contrôler la quantité de liquide restant dans la patiente. Le déficit est la quantité totale de liquide qui reste dans la patiente ou qui ne peut pas être attribuée. La tolérance de mesure du système doit être prise en compte (voir chapitre 11, Technical Data). L'estimation de la quantité de liquide qui reste dans la patiente relève du jugement et de la responsabilité du médecin.





DANGER !

Concentration de sodium dans le sérum sanguin

Il est nécessaire de contrôler la concentration de sodium dans le sérum sanguin de la patiente afin d'éviter un déséquilibre électrolytique. Il incombe au médecin de surveiller la concentration de sodium dans le sang ; le système ne s'en charge pas et ne permet pas de le faire.

Inscription au bilan précise

Essayez de capter tout liquide sortant de la cavité utérine pendant l'intervention afin d'obtenir une valeur de déficit aussi précise que possible.

Capacité de l'unité de pesage

La limite de pesage de l'unité de pesage se situe à 30 kg. Un poids supérieur déclenche le message **Scale Overloaded/Check Scale** (Unité de pesage surchargée/ Vérifier unité de pesage). Trois signaux sonores sont également émis (voir chapitre 9, Messages d'erreur et d'avertissement).



ATTENTION !

Veillez à ce que les récipients pendent librement, qu'ils ne s'appuient pas ou n'aient pas de contact avec d'autres choses. Dans le cas contraire, le déficit ne pourra pas être correctement calculé.



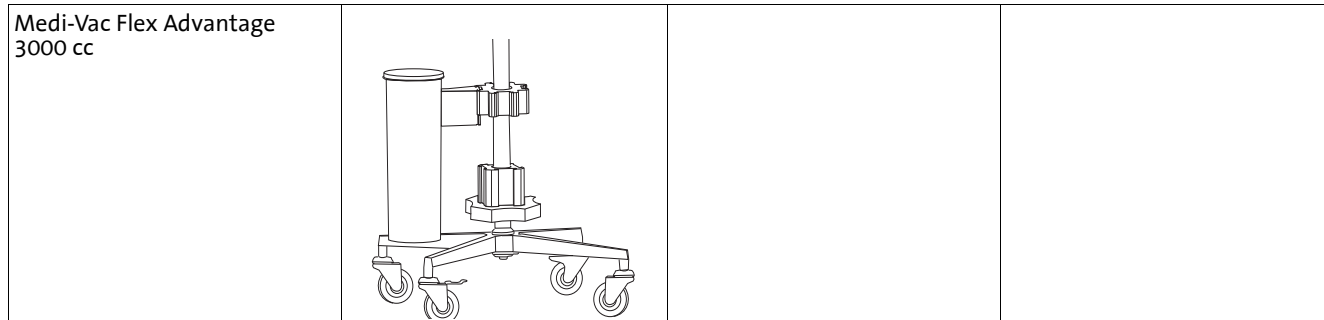
REMARQUE !

Raccordez l'unité de pesage à la pompe avant de mettre en marche le système.

5.3.1 Paramétrage de l'unité de pesage

L'unité de pesage peut être paramétrée avec des récipients de différentes marques.

Bemis® 3 litres		DeRoyal®	
Abbott 2 litres		Serres 2 et 3 litres	
Medi-Vac® 3 litres		Medela 3 litres	

**REMARQUE !**

Veillez à ce que les récipients soient correctement suspendus au support approprié.

**REMARQUE !**

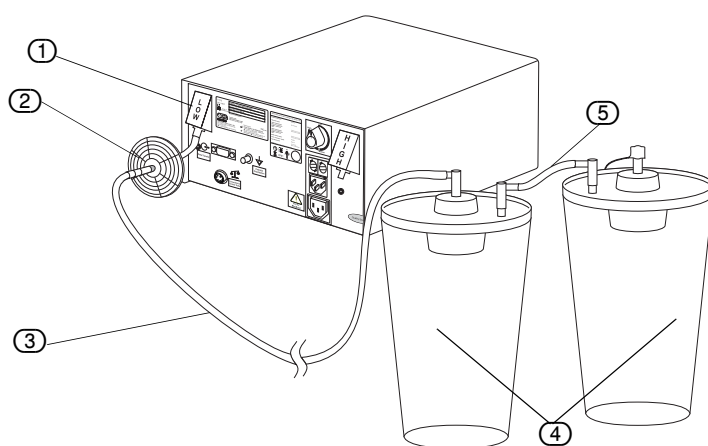
Utilisez uniquement des récipients avec couvercle.

**5.3.2 Raccordement de la tubulure à vide****ATTENTION !**

Lorsque le système Aquilex est utilisé avec MyoSure® ou un autre système morcellateur, la combinaison d'une pression de consigne faible avec une pression de vide trop élevée peut entraîner une perte significative de la pression de distension intra-utérine, ce qui peut gêner la vision dans le champ opératoire. À l'inverse, en cas de pression de distension élevée, la mise hors tension de MyoSure® ou d'un autre système morcellateur peut conduire à des pics de pression de plus de 150 mmHg. Ce cas de figure peut survenir brièvement lorsque le système adapte automatiquement le débit pour revenir à la pression de consigne intra-utérine réglée.



- Raccordez la tubulure à vide avec le filtre hygiénique au récipient d'aspiration. Cette opération n'est à réaliser qu'une seule fois lors de la première installation du système, pas avant chaque intervention.
 - Raccord pour vide faible (blanc)
 - ▶ Raccordez la tubulure à vide avec le raccord blanc au raccord pour vide faible (blanc) (① Fig. 5-4). La pompe à vide produit ainsi une dépression stable (~ 225 mmHg).
 - ▶ Utilisez la tubulure de liaison (⑤ Fig. 5-4), lorsque deux récipients seront utilisés l'un après l'autre sur le même raccord à vide.

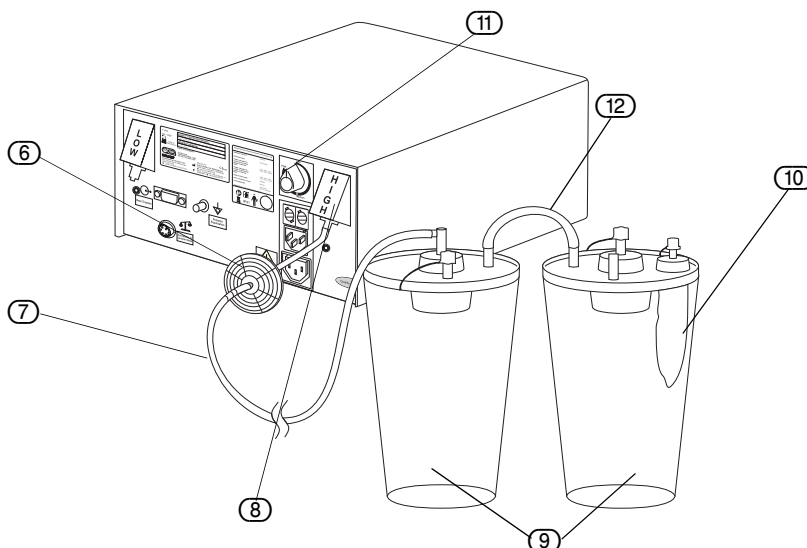
**Fig. 5-4 Tubulure pour vide faible**

- ① Raccord pour vide faible (blanc)
- ② Filtre hygiénique
- ③ Tubulure à vide
- ④ Récipients
- ⑤ Tubulure de liaison

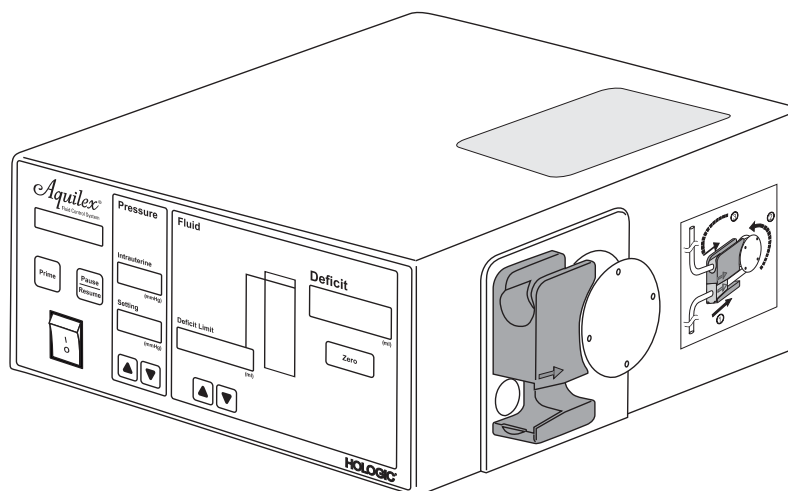
- Raccord pour vide élevé (vert)
- ▶ Raccordez la tubulure à vide avec le raccord vert au raccord pour vide élevé (vert) (8) in Fig. 5-5. L'élément de réglage d'adaptation permet de régler le vide jusqu'à 500 mmHg max.
- ▶ Utilisez la tubulure de liaison ((12) Fig. 5-5), lorsque deux récipients seront utilisés l'un après l'autre sur le même raccord à vide.

Fig. 5-5 Tubulure pour vide élevé

- (6) Filtre hygiénique
- (7) Tubulure à vide (raccord vert)
- (8) Raccord pour vide élevé (vert)
- (9) Récipients
- (10) Collecteur de tissus (pour interventions avec MyoSure®)
- (11) Bouton de réglage
- (12) Tubulure de liaison



5.4 Mise en marche du système Aquilex



1. Appuyez sur le commutateur ON/OFF. Les indicateurs clignotent et le système se met en marche.
2. L'appareil exécute un test automatique.
3. Si un lot de tubulures se trouve dans le support pour tubulure d'entrée lors de la mise en marche de la pompe, l'**affichage de la pompe** (Fig. 5-2, Face avant de la pompe (1)) indique le message **Remove Tube Set** (Retirer le lot de tubulures). Le test automatique reprend dès que le lot de tubulures est retiré de la roue dentée.

Lorsque le test automatique du système ne se déroule pas normalement jusqu'à la fin, des messages d'erreur correspondants s'affichent (voir chapitre 9, Messages d'erreur et d'avertissement).

Lorsque le système a terminé le test automatique avec succès, un signal sonore retentit. Le message **System OK** s'affiche pendant 5 secondes et laisse place au message **Insert Tube Set** (Introduire le lot de tubulures).

DANGER !

Si une erreur du système est soupçonnée, voire constatée pendant le contrôle, n'utilisez pas le système. Il en va de même si des erreurs et dommages externes surviennent, notamment au niveau des prises ou du câble secteur.



5.5 Suspension des poches de liquide

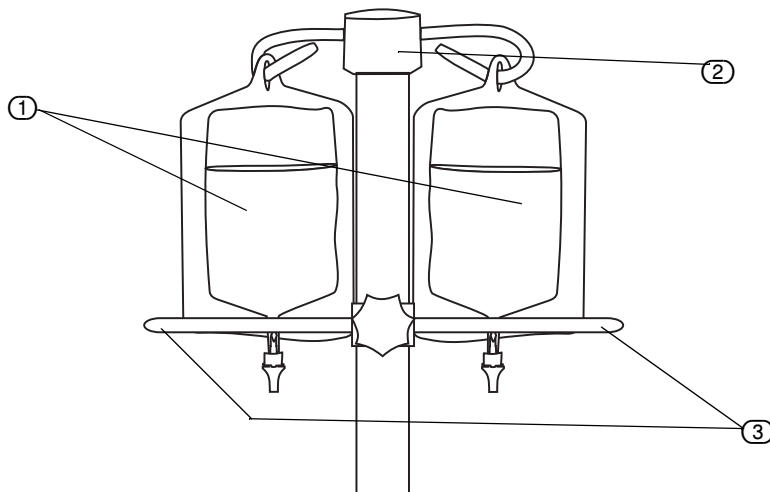


Fig. 5-6 Suspension des poches de liquide

- ① Poches de liquide
- ② Barre avec support de poche de liquide
- ③ Tendeur de poche

FR

DANGER !

En cas d'utilisation d'appareils d'électrochirurgie hystéroscopique monopolaire, il est important que le liquide soit non conducteur de courant. Exemple de liquides non conducteurs de courant : glycine, sorbitol et mannitol. Les liquides de rinçage à base de solution saline isotronique ne doivent être employés que lors de la réalisation de résections électrochirurgicales bipolaires.



Suspendez une ou deux poches de liquide remplies du liquide adapté à l'intervention prévue. (Pour une intervention avec MyoSure®, une ou deux poches remplies de 3000 ml de solution saline sont nécessaires.)

DANGER !

Le système est exclusivement destiné à l'utilisation de poches de liquide souples. Les récipients en verre ne doivent pas être utilisés car ils risquent de se briser. En raison de la dépression qui se forme dans la bouteille, l'arrivée du liquide ne peut plus s'effectuer suffisamment rapidement et risque de faire imploser le récipient.



5.6 Utilisation du lot de tubulures

L'Aquilex Fluid Control System est conçu pour être utilisé avec des lot de tubulures d'entrée et de sortie à usage unique.

Chaque lot de tubulures d'entrée est équipé d'un transpondeur permettant la reconnaissance du lot de tubulures. Le transpondeur RFID reçoit des informations sur le type de tubulure, l'état d'utilisation et l'autorisation. Ces informations apparaissent sur l'affichage de la pompe. Cela évite ainsi de réutiliser par inadvertance un lot de tubulures sur d'autres patientes (voir chapitre 5.7, Aperçu des tubulures).

Reconnaissance du lot de tubulures

DANGER !

Retraitement de produits stériles à usage unique

La réutilisation des tubulures d'entrée et de sortie présente un risque d'infection



pour les patients et/ou utilisateurs ainsi que le risque de porter préjudice au bon fonctionnement du produit. La contamination et/ou une atteinte au bon fonctionnement du système peuvent entraîner des blessures, des maladies ou la mort. Les lots de tubulures d'entrée et de sortie à usage unique ne doivent en aucun cas être re-préparés.



REMARQUE !

Lors de l'élimination des tubulures, liquides collectés et récipients, respectez les réglementations nationales relatives à l'hygiène.

5.7 Aperçu des tubulures

Trois lots de tubulures différents sont nécessaires à l'utilisation du système. Le tableau suivant mentionne tous les types de lots de tubulures et leur application.

Référence	Description
AQL-110	Lot de tubulures d'entrée Aquilex Fluid Control System
AQL-111	Lot de tubulures de sortie Aquilex Fluid Control System
AQL-112	Lot de tubulures complet (entrée et sortie), à usage unique, stérile
AQL-114	Lot de tubulures pour vide élevé et faible Aquilex Fluid Control System: réutilisable, non stérile

Tableau 5-1

5.8 Raccordement du lot de tubulures de sortie

ATTENTION !

Lorsque le système Aquilex est utilisé avec MyoSure® ou un autre système morcellateur, la combinaison d'une pression de consigne faible avec une pression de vide trop élevée peut entraîner une perte significative de la pression de distension intra-utérine, ce qui peut gêner la vision dans le champ opératoire. À l'inverse, en cas de pression de distension élevée, la mise hors tension de MyoSure® ou d'un autre système morcellateur peut conduire à des pics de pression de plus de 150 mmHg. Ce cas de figure peut survenir brièvement lorsque le système adapte automatiquement le débit pour revenir à la pression de consigne intra-utérine réglée.

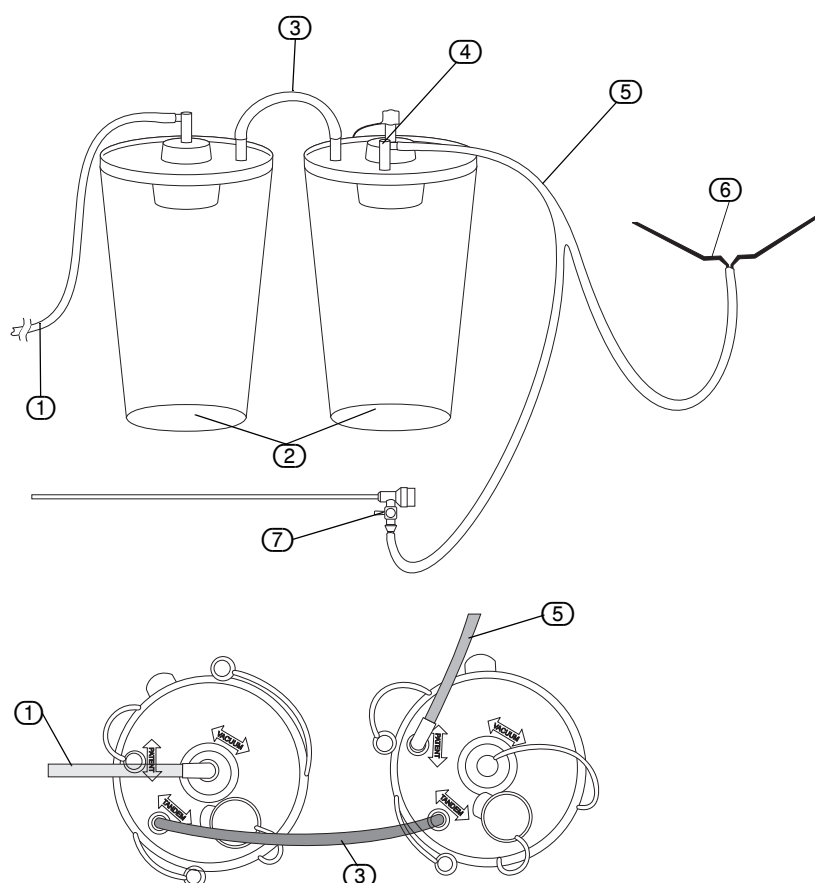


Fig. 5-7 Lot de tubulures de sortie

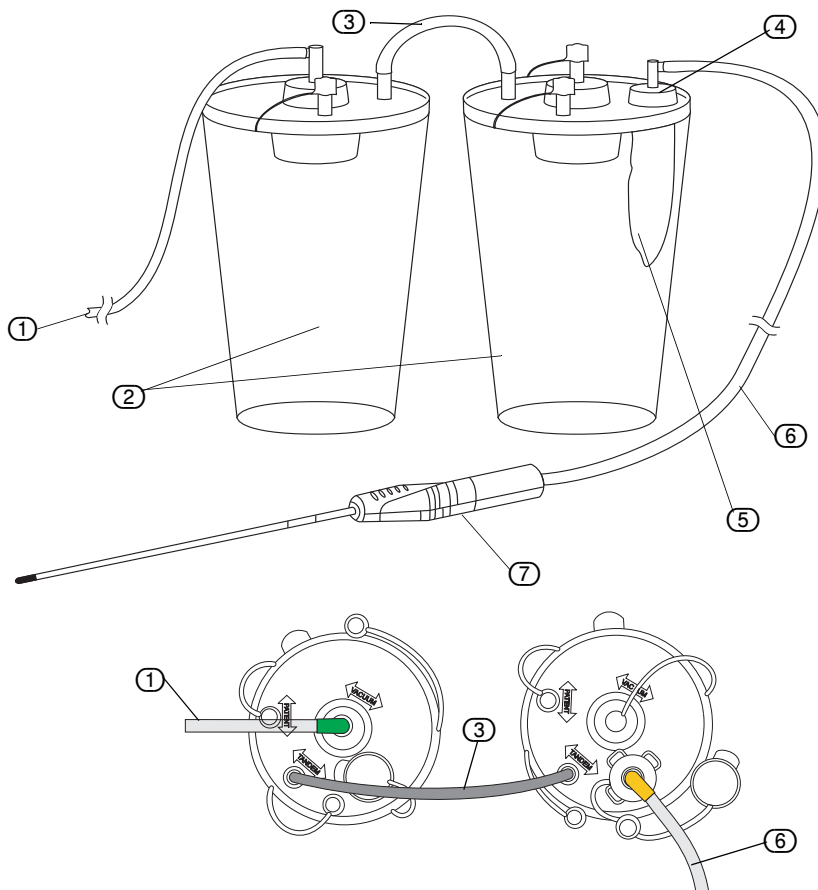
- ① Vers vide faible (blanc)
- ② Récipients
- ③ Tubulure de liaison
- ④ Raccord patient
- ⑤ Lot de tubulures de sortie
- ⑥ Champ opératoire
- ⑦ Canal d'écoulement amovible (MyoSure®) ou robinet de sortie de l'hystéroscope

En cas de configuration avec vide faible à partir de Fig. 5-4, le lot de tubulures de sortie (tubulure en Y) est raccordé au raccord patient (4) du second récipient. Le raccord flexible jaune est fixé au champ opératoire (6). Le raccord Luer jaune est raccordé au robinet d'arrêt (7) du canal d'écoulement amovible (MyoSure®) ou au robinet de sortie de l'hystéroscope.

5.8.1 Raccord d'écoulement MyoSure®

Fig. 5-8 Raccord MyoSure®

- ① Vers vide élevé (vert)
- ② Récipients
- ③ Tubulure de liaison
- ④ Raccord pour prélèvements tissulaires
- ⑤ Collecteur de tissus
- ⑥ Tubulure à vide MyoSure®
- ⑦ MyoSure® Tissue Removal Device (TRD) (appareil d'élimination des tissus)



Lorsqu'un tissu pathologique est décelé dans l'utérus, le MyoSure® TRD peut être raccordé au système Aquilex comme illustré sur la figure Fig. 5-8. La tubulure à vide MyoSure® ⑥ est raccordée au collecteur de tissus ⑤ dans le second récipient.

5.9 Introduction du lot de tubulures d'entrée

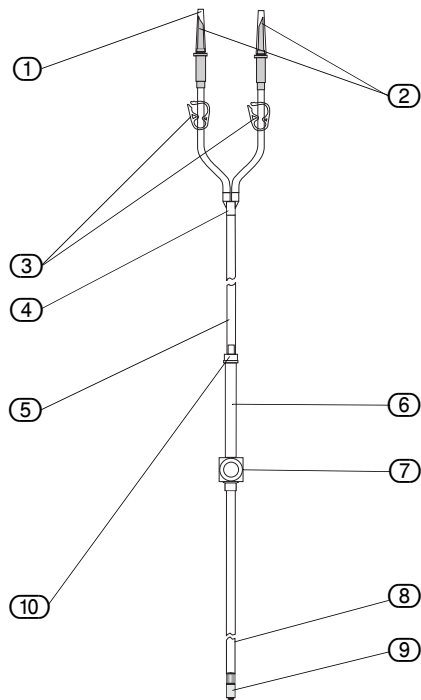


Fig. 5-9 Pièces du lot de tubulures

- ① Capuchons de protection
- ② Mandrins-piquants pour poche de liquide
- ③ Pincettes à tubulure
- ④ Pièce en Y
- ⑤ Section entrée
- ⑥ Section roue dentée
- ⑦ Chambre de pression avec membrane et transpondeur RFID
- ⑧ Section hystéroscope
- ⑨ Raccord Luer Lock (bleu)
- ⑩ Raccord roue dentée

FR

(voir Fig. 5-9, Pièces du lot de tubulures) Le lot de tubulures d'entrée est composé de trois sections de tubulure, d'une pièce en Y (4) et de deux mandrins-piquants pour les poches de liquide (2). Les trois sections de tubulure sont : la section roue dentée (6), la section entrée (5), et la section hystéroscope (8). Les mandrins-piquants pour les poches de liquide (2) servent à raccorder les sections de tubulure aux poches de liquide.

Le raccord Luer Lock (9) relie la tubulure de l'hystéroscope à l'hystéroscope.

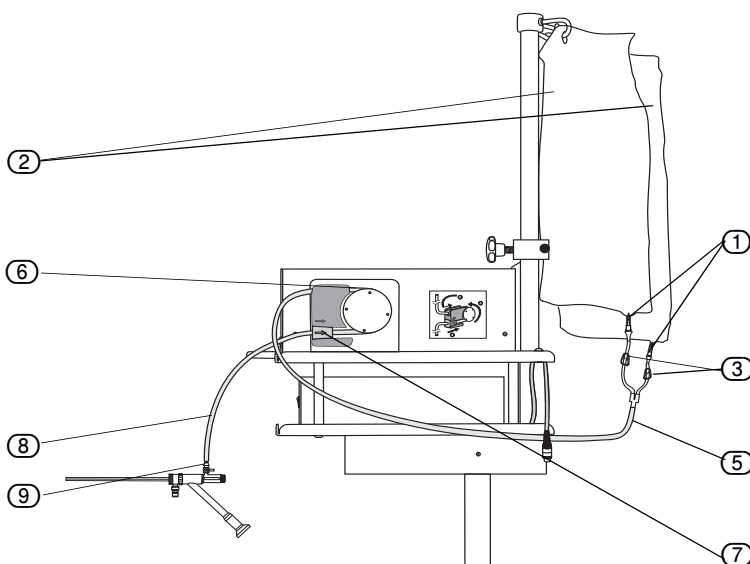


Fig. 5-10 Introduction du lot de tubulures

- ① Mandrins-piquants pour poche de liquide
- ② Poches de liquide
- ③ Pincettes pour poches
- ④ Tubulure d'entrée
- ⑤ Tubulure de la roue dentée
- ⑥ Chambre de pression avec membrane et transpondeur RFID
- ⑦ Tubulure de l'hystéroscope
- ⑧ Raccord Luer Lock (bleu)

1. Lot de tubulures d'entrée - Manipulations à effectuer par le personnel non stérile

- ▶ Ouvrez le carton d'emballage du lot de tubulures d'entrée.
- ▶ Le personnel stérile ôte l'emballage intérieur du lot de tubulures et ouvre celui-ci.

Ouvrir le carton d'emballage

Raccorder à l'hystéroscope

Installation du lot de tubulures

Raccorder les poches de liquide

2 Manipulations à effectuer par le personnel stérile :

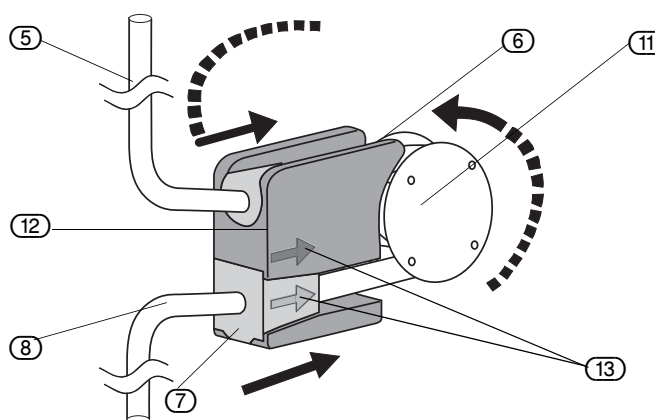
- ▶ Conservez le raccord Luer Lock bleu (9) dans la zone stérile et tendez l'extrémité du raccord avec les mandrins-piquants pour les poches de liquide (1) au personnel non stérile.
- ▶ Raccordez le raccord Luer Lock bleu (9) au robinet d'arrêt d'entrée de l'hystéroscope. Ouvrez le robinet d'arrêt.

3 Manipulations à effectuer par le personnel non stérile :

- ▶ Vérifiez si le système est allumé.
- ▶ Fermez les pinces (3) sur les tubulures d'entrée sous les mandrins-piquants pour les poches de liquide (1).
- ▶ Introduisez le lot de tubulures d'entrée dans le support pour tubulure d'entrée. L'introduction de la tubulure de la roue dentée est représentée sur Fig. 5-11.
- ▶ Insérez avec précaution la chambre de pression (7) dans l'évidement inférieur du support pour tubulure d'entrée (12), jusqu'à ce que vous ressentiez une résistance. Orientez la chambre de pression et le support de tubulure d'entrée vers les flèches (voir Fig. 5-11).
- ▶ Lors de la mise en place de la tubulure de la roue dentée, veillez à ce que la membrane de la chambre de pression ne soit pas endommagée. La chambre de pression (7) ne doit être installée qu'en absence de pression.
- ▶ Entourez la tubulure (6) autour de la roue dentée (11).
- ▶ Lorsque vous raccordez la tubulure aux poches remplies de liquide de rinçage ou que vous la détachez des poches, saisissez toujours les mandrins-piquants par la poignée prévue à cet effet. L'insertion des mandrins-piquants dans les poches de liquide doit intervenir dans des conditions stériles. Le chirurgien doit choisir un liquide adapté à l'intervention prévue.

Fig. 5-11 Installer la tubulure de la roue dentée

- (5) Tubulure d'entrée
- (6) Tubulure de la roue dentée
- (7) Chambre de pression
- (8) Tubulure de l'hystéroscope
- (11) Roue dentée
- (12) Support pour tubulure d'entrée
- (13) Flèches d'orientation



5.10 Présélection de la pression intra-utérine de consigne

Réglage de la pression intra-utérine de consigne

Le réglage de la pression intra-utérine de consigne peut être adapté lorsque le système est en marche. Pour cela, utilisez les touches ▲ et ▼ (Fig. 5-2, Face avant de la pompe). Le réglage de la pression peut être sélectionné par incréments de 5 mmHg entre 40 et 150 mmHg. La pression intra-utérine réelle s'affiche dans l'indicateur de la pression intra-utérine réelle (2).

Seuil de sécurité

Après avoir fait défiler les valeurs avec la touche ▲ (voir Fig. 5-2, Face avant de la pompe) et avoir atteint le seuil de sécurité de 100 mmHg, un signal sonore retentit. Relâchez la touche ▲ pendant une seconde environ et reprenez le défilement afin de paramétrer une valeur supérieure jusqu'à 150 mmHg.



ATTENTION !

Si, pendant l'opération, la pression réelle ne réagit pas à l'augmentation du débit, une perforation de la cavité utérine peut en être la cause. Il y a risque d'intravasation. Vérifiez que la cavité utérine ne présente pas de blessures.

5.11 Paramétrer la limite du déficit

La limite du déficit peut être adaptée lorsque le système est en marche. Pour cela, utilisez les touches ▲ et ▼ (voir Fig. 5-2). La limite du déficit peut être réglée par incréments de 100 ml entre 600 et 2 500 ml. La limite du déficit s'affiche dans l'indicateur pour la limite du déficit (3). Le dispositif de mesure du déficit sert à aider l'utilisateur lors de la surveillance de la quantité déficitaire. La couleur du dispositif de mesure du déficit change lorsqu'il s'approche de la limite du déficit. La limite du déficit réglée par l'utilisateur est représentée en haut dans le dispositif de mesure du déficit avec un voyant rouge. Lorsque le déficit effectif augmente pendant le fonctionnement, le voyant s'allume et la quantité déficitaire effective s'affiche jusqu'à ce que la limite du déficit est atteinte (voir paragraphe **Limite du déficit** dans le chapitre 6, Fonctions de sécurité).

Réglage de la limite du déficit

5.12 Utilisation de la pompe pendant une opération

- ▶ Ouvrez les pinces sur les poches de liquide (3) Fig. 5-10).
- ▶ Ouvrez entièrement le robinet d'arrêt pour l'alimentation de l'hystéroscope.
- ▶ Appuyez sur la touche **Prime** (17) Fig. 5-2).
- ▶ La pompe fonctionne pendant 20 secondes environ pour pomper l'air des tubulures et procéder au calibrage automatique de lumière.
- ▶ L'affichage de la pompe indique **Calibration Running** (Calibrage en cours).

La pompe est équipée d'une fonction de calibrage automatique de lumière. Le système détermine la résistance au flux de l'hystéroscope. Cette résistance est utilisée pour calculer la pression de la pompe qui est nécessaire pour le maintien de la pression intra-utérine de consigne. Afin de surmonter cette résistance, la pompe permet une pression jusqu'à 80 mmHg pendant le calibrage. Ceci est indiqué dans l'affichage de la pression intra-utérine réelle. Si le calibrage échoue en raison d'une haute résistance, le calibrage est répété avec une pression admise jusqu'à 150 mmHg. Lorsque le calibrage ne se déroule pas jusqu'à la fin, la pompe affiche **Prime Fail -Open Stopcock, Clamps** (Echec de l'amorçage ; Ouvrir le robinet d'arrêt, les pinces).

Calibrage automatique de la lumière

Le calibrage automatique de lumière commence dès que la touche **Prime** est activée.

- ▶ Lorsque le calibrage automatique de lumière est terminé, trois signaux sonores retentissent. L'affichage de la pompe indique pendant 5 secondes **Prime Successful Close Stopcock** (Amorçage réussi, fermer robinet), puis **System Operating** (Système en fonctionnement).
- ▶ Fermez le robinet d'arrêt pour l'alimentation de l'hystéroscope afin d'arrêter l'alimentation. Une fois l'ensemble du liquide éliminé du champ opératoire, ramenez l'indicateur de déficit à zéro.

REMARQUE !

La pompe continue de fonctionner une fois le calibrage automatique de la lumière terminé. Arrêtez la pompe en fermant le robinet d'arrêt pour l'alimentation de l'hystéroscope.



REMARQUE !

Le calibrage automatique de la lumière doit être déclenché à chaque fois en appuyant sur la touche « Prime » lorsqu'un autre hystéroscope est utilisé pendant l'intervention.



- ▶ Ouvrez le robinet d'arrêt et introduisez l'hystéroscope dans l'utérus lorsque le liquide s'écoule.
- ▶ Ajustez le réglage de la pression intra-utérine de consigne si nécessaire afin d'obtenir une dilatation et une visibilité adaptées.
- ▶ Lorsque l'utilisation du système est terminée, fermez le robinet d'arrêt pour l'alimentation de l'hystéroscope.

Utilisation du système

Terminer l'utilisation du système

- ▶ Attendez que la quantité totale de fluide du champ opératoire et du lot de tubulures soit collectée dans les deux récipients.
- ▶ Appuyer sur la touche **Pause/Resume**.
- ▶ Notez la quantité déficitaire qui est indiquée sur l'indicateur du déficit. Il s'agit de la quantité totale de liquide qui a été absorbée par la patiente.



DANGER !

Erreur système : si une erreur du système est soupçonnée, voire constatée pendant le contrôle de fonctionnement, n'utilisez pas le système Aquilex. Il en va de même si des erreurs et dommages externes surviennent, notamment au niveau des prises ou du câble secteur.

FR

Changement de récipient en cours d'intervention

5.13 Changement de récipient en cours d'intervention

- ▶ Arrêtez la pompe en appuyant sur la touche **Pause/Resume**. La valeur affichée dans l'indicateur du déficit de liquide est ainsi figée.
- ▶ Retirez les récipients et installez de nouveaux récipients.
- ▶ Raccordez les tubulures des récipients.
- ▶ Appuyez sur la touche **Pause/Resume** afin de poursuivre l'intervention.



ATTENTION !

Lorsque vous retirez un récipient rempli de l'unité de pesage sans avoir appuyé sur la touche « Pause/Resume », le message « Container Change, Press Resume » (Changement de récipient, appuyer sur la touche Resume) apparaît, la pompe s'arrête immédiatement et l'indicateur du déficit est figé afin que le calcul du déficit puisse être correctement effectué. Une fois le changement de récipient terminé, vous pouvez redémarrer la pompe en appuyant sur la touche « Pause/Resume ».

Volume total affiché

5.14 Volume total affiché

Si vous souhaitez procéder à un contrôle manuel du déficit de liquide, vous pouvez faire afficher la quantité totale de liquide en appuyant simultanément sur les touches fléchées vers le haut et vers le bas (10) et (11) sur Fig. 5-2, Face avant de la pompe) sous l'indicateur de la limite du déficit de liquide (3) Fig. 5-2). La valeur s'affichant dans l'indicateur de déficit est la quantité totale de liquide en ml. Dès que vous relâchez une des touches fléchées ou les deux, la valeur du déficit de liquide s'affiche de nouveau dans l'indicateur du déficit.

Arrêter

5.15 Arrêt du système

Appuyez sur le commutateur **ON/OFF** pour éteindre la pompe. Les indicateurs ne sont plus éclairés.



DANGER !

Le commutateur ON/OFF ne vous permet pas de mettre le système hors tension. Pour ce faire, il faut débrancher la fiche au dos du système.

6 Fonctions de sécurité

Le fonctionnement parfait du système sera surveillé en permanence par l'électronique. Toute défectuosité du système sera indiquée par des avertissements sonores, des messages d'erreur et/ou le blocage des fonctions de du système. Pour un résumé sous forme de tableau des messages d'erreur et d'avertissement, veuillez consulter le chapitre 9, Messages d'erreur et d'avertissement.

Lorsque la pression intra-utérine réelle dépasse de 10 mmHg le réglage de la pression intra-utérine de consigne pendant plus de 5 secondes, la réduction de pression est activée. Pendant la réduction de pression, la roue dentée tourne à quelques reprises en avant et en arrière. Lorsque la pression ne peut pas être réduite, le message **Overpressure/Open Stopcock** (Surpression/Ouvrir robinet d'arrêt) et trois signaux sonores retentissent.

Dès que la pression intra-utérine réelle dépasse 150 mmHg, le message **Maximum Pressure** (Pression maximale) s'affiche et la pompe émet trois signaux sonores. La pression maximale admise est atteinte.

Lorsque la pression intra-utérine réelle est supérieure à 200 mmHg pendant plus de 5 secondes, la roue dentée s'arrête et le message **Overpressure/Check Stopcock** (Surpression/Vérifier robinet d'arrêt) apparaît. Trois brefs signaux sonores sont émis jusqu'à ce que la pression soit réduite. Dès que la pression intra-utérine réelle descend sous 200 mmHg, les signaux sonores s'arrêtent et la roue dentée recommence à tourner.

Lorsque le lot de tubulures d'entrée n'est pas correctement inséré dans la roue dentée, un bref signal sonore retentit après avoir activé la touche **Prime** et le message **Check Tube Set Installation** (Vérifier installation lot de tubulures) apparaît. La roue dentée reste immobile.

Lorsque l'électronique de mesure de la pression connaît un dysfonctionnement, le message **Sensor Error** (Erreur de la sonde) apparaît et cinq brefs signaux sonores retentissent. La roue dentée s'arrête.

Lorsque le poids maximal admis de l'unité de pesage (environ 30 kg) est dépassé, un signal sonore continu retentit et le message **Scale Overload Check Scale** (Unité de pesage surchargée ; Vérifier unité de pesage) apparaît. Le signal sonore s'arrête et le message disparaît, dès que l'excédent de poids est retiré de l'unité de pesage.

Lorsqu'un récipient est ôté de l'unité de pesage en cours de fonctionnement de la pompe, trois brefs signaux sonores sont émis en continu et le message **Container Change, Press Resume** (Changement de récipient, appuyer sur la touche Resume) apparaît. Les signaux sonores s'arrêtent lorsque l'état d'origine est rétabli ou la touche **Pause/Resume** est activée.

Lorsque le dernier réglage de la pression intra-utérine de consigne était supérieur à 80 mmHg, celui-ci est ramené aux valeurs standard de 80 mmHg.

Après chaque augmentation de la quantité déficitaire de 100 ml au-dessus de la valeur limite paramétrée, trois signaux sonores sont émis et répétés pendant le fonctionnement de la pompe. Le message **Deficit Limit Exceeded** (Limite du déficit dépassée) apparaît.

Lorsque l'augmentation du déficit est de plus de 300 ml/min., trois signaux sonores retentissent et le message **High Fluid Loss Check Leakage** (Perte de liquide importante ; contrôler les fuites) apparaît. Lorsqu'une raison évidente de la perte de liquide importante ne peut être établie, il convient de vérifier si la patiente ne présente pas une perforation cervicale ou utérine.

Cinq brefs signaux sonores retentissent et le message **Motor Error** (Erreur du moteur) apparaît. Des dysfonctionnements peuvent également survenir pendant la procédure de démarrage avant que l'affichage de la pompe n'ait été activé. Dans ce cas, l'affichage de la pompe reste vide.

La pression intra-utérine réelle est supérieure de 10 mmHg au réglage de la pression intra-utérine de consigne

Pression intra-utérine réelle > 150 mmHg

Pression intra-utérine réelle > 200 mmHg

Vérifier l'installation du lot de tubulures

Erreur du système indicateur de pression

Unité de pesage surchargée

Charger/décharger l'unité de pesage en service

Limitation de la pression lors de la remise en marche

Limite du déficit

Augmentation du déficit > 300 ml/min.

Grave dysfonctionnement du système

FR

Entretien et maintenance

FR



Inspection tous les deux ans

Certificat



7 Entretien et maintenance

L'entretien et la maintenance du système et de ses accessoires conformes aux prescriptions sont absolument requis afin d'assurer un fonctionnement fiable et sûr. En conséquence, vous êtes tenu de contrôler les fonctionnalités et l'intégrité du matériel avant toute utilisation afin de protéger aussi bien le patient que l'équipe chirurgicale.

Afin de garantir les performances du système et des accessoires, il convient d'accorder le plus grand soin à l'entretien, à la maintenance ainsi qu'au stockage du système.

7.1 Nettoyage du système

1. Appuyez sur le commutateur **ON/OFF** pour éteindre le système.
2. Débranchez le câble secteur.
3. Essuyez le dessus du système avec un chiffon humide imprégné de produit nettoyant (par exemple : Meliseptol® rapid). La concentration du désinfectant est fonction des indications données par le fabricant. Il est impératif qu'aucune humidité ne s'infilte dans le système.

REMARQUE !

Le système ne doit en aucun cas être stérilisé.

7.2 Maintenance par le technicien habilité

Pour assurer la sécurité et le bon fonctionnement du système, une vérification et une maintenance doivent être réalisées à intervalles appropriés par un technicien de maintenance habilité. L'intervalle entre les inspections doit être choisi en fonction de la fréquence et la durée d'utilisation et doit être **au moins** de deux ans. Le fabricant se dégage de toute responsabilité au cas où la sécurité fonctionnelle du système ne serait pas assurée. Un autocollant apposé au dos du boîtier de l'appareil rappelle à l'utilisateur, la date limite impartie pour la prochaine maintenance.

À chaque vérification ou remise en état, l'exploitant de l'appareil doit exiger du technicien de maintenance habilité qu'il lui remette un certificat. Ce certificat doit comporter les éléments suivants :

- la nature et l'ampleur des tâches
- la date des tâches effectuées
- le nom de l'entreprise qui a exécuté ces tâches
- la signature du technicien

7.3 Remplacement du fusible

ATTENTION !

Avant de changer le fusible, vérifiez la valeur du fusible à introduire conformément au chapitre 11, Technical Data.

Le fusible est défectueux et doit par conséquent être remplacé si :

- les indicateurs et les affichages ne s'allument pas.
- le système ne fonctionne pas.

Vérifiez :

- que le câble secteur relie correctement l'entrée secteur de l'appareil (Fig. 5-2) à une prise contact de mise à la terre,
- que le fusible du réseau sur site fonctionne.

DANGER !

Veillez à toujours débrancher le câble secteur de l'appareil avant de vérifier le fusible.



Il n'est **pas** nécessaire d'ouvrir l'appareil pour changer le fusible.

1. Éteignez le système.
2. Débranchez le système du réseau électrique.
3. Le porte-fusible se trouve directement à côté du connecteur CEI au dos de la pompe.
4. Dévissez les deux porte-fusibles de leurs logements à l'aide d'un petit tourne-vis comme l'indique Fig. 7-1.
5. Sortez les porte-fusibles.
6. Vérifiez les fusibles.
7. Placez les nouveaux fusibles. N'utilisez pour cela que les fusibles indiqués (voir chapitre 11, Technical Data).
8. Introduisez les porte-fusibles.
9. Établissez à nouveau la connexion avec le câble secteur entre la prise de contact de mise à la terre et le connecteur CEI placé sur la face arrière de l'appareil.

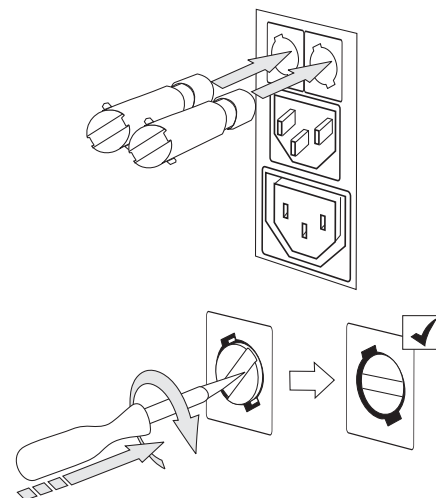


Fig. 7-1 Ouverture du porte-fusible

FR

Prescription du fabricant

8 Inspection annuelle

Le fabricant préconise que du personnel qualifié ou un technicien en biologie médicale effectue régulièrement l'inspection du système pour vérifier son bon fonctionnement et sa conformité aux critères de sécurité requis. Ces inspections doivent intervenir une fois par an. Des contrôles réguliers peuvent contribuer à une détection en amont de dysfonctionnements éventuels, et augmenter ainsi la sécurité et la longévité du système.

Tests à effectuer lors de l'inspection

Les tests suivants ont été spécialement mis au point pour un personnel spécialisé ou un technicien en biologie médicale. Ils permettent de vérifier facilement l'exploitation; le fonctionnement et la capacité d'utilisation du système. L'exécution de chaque test doit être consignée par écrit sur le procès-verbal de tests, avec la date et la signature.

FR



DANGER !

Lorsque les paramètres et les tolérances indiquées sont dépassées, le système doit être renvoyé à Hologic pour vérification.

8.1 Test de sécurité

1. Effectuez un contrôle visuel. Assurez-vous :
 - que la valeur du fusible correspond à la valeur indiquée par le fabricant ;
 - que les marquages et les étiquettes autocollantes apposés sur le système sont lisibles ;
 - que l'état mécanique garantit un fonctionnement sûr et fiable ;
 - qu'aucune salissure quelconque n'entrave la sécurité fonctionnelle de l'appareil.
2. Prenez la mesure du courant de fuite à la terre (max. 500 μ A) et du courant de contact (max. 100 μ A à l'état normal et max. 500 μ A en cas de première erreur) selon la norme CEI 60601-1 / EN 60601-1.
3. Prenez la mesure de la résistance de mise à la terre selon la norme CEI 60601-1 / EN 60601-1. La résistance de mise à la terre se mesure en circuit fermé. La valeur maximale est de 0,2 Ω .

L'essai de sécurité peut également être mis en œuvre conformément à la norme DIN EN 62353.

8.2 Réalisation des tests fonctionnels de base

Les tests fonctionnels de base permet de vérifier les indicateurs, les touches et les performances générales du système. Sont nécessaires à la réalisation de ce test :

- Lot de tubulures d'entrée Aquilex
- Poches de liquide
- Verre mesureur avec graduation de 1 litre
- Chronomètre
- Poids de précision (par exemple Ohaus 1 kg 49016-11 ou 41000-00 ou équivalent).

8.3 Test de l'unité de pesage

1. Mettre en marche le système.
2. Dès que le message **Insert Tube Set** (Introduire lot de tubulures) apparaît, appuyer simultanément sur les touches **Pause/Resume** et **Zero**.
3. Le message **Scale Test** (Test de l'unité de pesage) apparaît dans l'affichage de la pompe.
4. ~~Mettre un poids de précision sur l'unité de pesage (500 g – 2000 g)~~
5. L'indicateur de la limite du déficit de liquide indique le poids.
6. La tolérance admise est ± 20 g.
7. En cas d'écart supérieur, un technicien de maintenance doit calibrer l'unité de

pesage.

8. Retirer le poids de l'unité de pesage.
9. Appuyer sur la touche **Pause/Resume** pour terminer ce test.

Entrer les résultats sur la feuille du procès-verbal à la section 15.1. Le test est effectué avec succès lorsque les résultats se situent dans la plage de tolérance autorisée.

8.4 Test du taux de débit

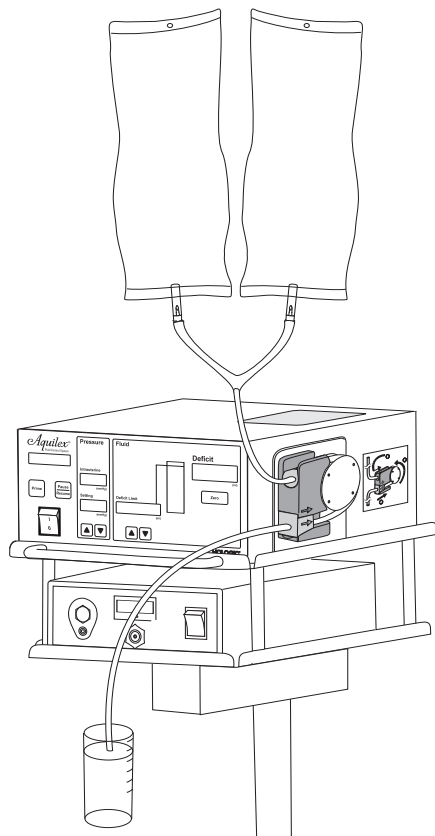


Fig. 8-1 Test du taux de débit

FR

L'agencement du test est représenté dans la Fig. 8-1, Test du taux de débit.

Réalisation du test du taux de débit

1. Mettre en marche le système. (Voir chapitre 5.4, Mise en marche du système Aquilex)
2. Introduire le lot de tubulures dans la pompe et fermer les pinces sur les poches.
3. Suspendre les poches de liquide aux crochets du support de poche de liquide.
4. Insérer les mandrins-piquants dans les poches de liquide et ouvrir les pinces sur les poches de liquide.
5. Introduire la tubulure de l'hystéroscope dans le verre mesureur.
6. Régler la pression intra-utérine de consigne sur 150 mmHg.
7. Appuyer sur la touche **Prime**.
8. La roue dentée commence à tourner afin d'aspirer l'air des tubulures et de procéder au calibrage automatique de la lumière.
9. Lorsque le calibrage automatique de la lumière (environ 20 secondes) est terminé, appuyer sur la touche **Pause/Resume**.
10. Vider le verre mesureur.
11. Introduire de nouveau la tubulure de l'hystéroscope dans le verre mesureur.
12. Appuyer sur la touche **Pause/Resume**.
13. Au bout d'une minute, appuyer sur la touche **Pause/Resume**. Le verre mesureur doit avoir recueilli environ 800 ml de liquide.
14. La tolérance admise est de 25 ml/min.

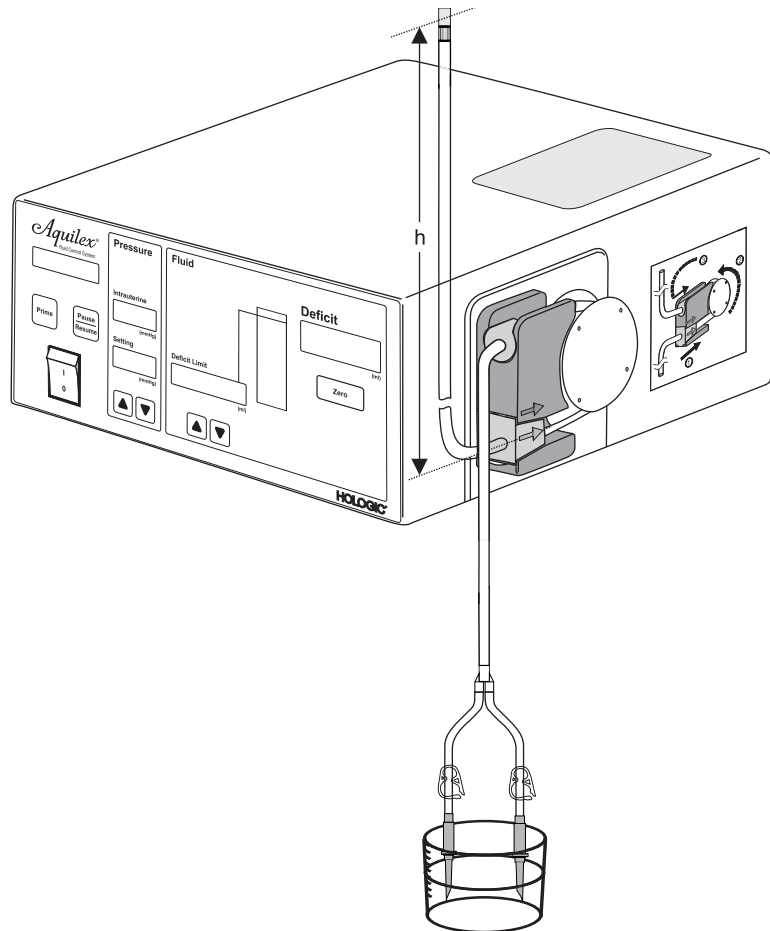
Entrer les résultats sur la feuille du procès-verbal à la section 15.1. Le test est effectué avec succès lorsque les résultats se situent dans la plage de tolérance autorisée.

8.5 Test de mesure de la pression

L'agencement du test est représenté sur Fig. 8-2.

Fig. 8-2 Agencement du test de mesure de la pression

h Hauteur du niveau de l'eau



Le test de pression vérifie la chambre de pression, la sonde de pression et l'exactitude de la mesure de pression afin de s'assurer que tous les éléments fonctionnent correctement. La réalisation de ce test exige un lot de tubulures d'entrée ainsi qu'un récipient rempli d'eau. La hauteur de la colonne d'eau (pression hydrostatique) sera utilisée ici pour tester le capteur de pression.

1. Introduire l'extrémité de la tubulure d'entrée munie des mandrins-piquant pour les poches de liquide dans un récipient rempli d'eau.
2. Remplir entièrement l'extrémité de la tubulure d'eau en démarrant la pompe à l'aide de la touche **Prime**. Laisser la pompe fonctionner jusqu'à ce que le calibrage soit terminé. Appuyer sur la touche **Pause/Resume** pour arrêter la roue dentée. L'indicateur de pression intra-utérine réelle affiche 0 mmHg.
3. Obstruer l'extrémité de la tubulure de l'hystéroscope (en plaçant le doigt sur la pointe du raccord Luer).
4. Maintenir le niveau d'eau à l'extrémité de la tubulure de l'hystéroscope (h) 30 cm au-dessus de la chambre de pression. La colonne d'eau exerce une pression hydrostatique sur le capteur de pression.
5. Retirer le doigt de l'extrémité de la tubulure de l'hystéroscope.
6. L'indicateur de pression intra-utérine réelle affiche 20 mmHg (± 5 mmHg).
7. Modifiez la hauteur de la colonne d'eau. La valeur de l'indicateur de pression intra-utérine réelle doit changer en conséquence.

Entrer les résultats sur la feuille du procès-verbal à la section 15.1 1. Le test est

effectué avec succès lorsque les résultats se situent dans la plage de tolérance autorisée.

8.6 Test de mesure du déficit de liquide

L'agencement du test est représenté sur la Fig. 8-3. Il est très important que le bac collecteur soit positionné **dans** l'unité de pesage, comme illustré dans Fig. 8-3.

1. Une fois les tests fonctionnels de base 8.3 à 8.5 réalisés, 8.3 à 8.5, passer à l'étape 2. Si ce n'est pas le cas, voir test fonctionnel de base 8.4 étapes 1 à 11.
2. Ramener l'indicateur de déficit de liquide à zéro en appuyant sur la touche **Zero** (voir Fig. 5-2, ⑨).
3. Appuyer sur la touche **Pause/Resume**.
4. Laisser le système fonctionner pendant 1 minute. Environ 800 ml de liquide doivent se trouver dans le récipient, mais l'indicateur du déficit de liquide doit indiquer environ 0.
5. La tolérance admise est ± 50 .

Entrer les résultats sur la feuille du procès-verbal à la section 15.1. Le test est effectué avec succès lorsque les résultats se situent dans la plage de tolérance autorisée.

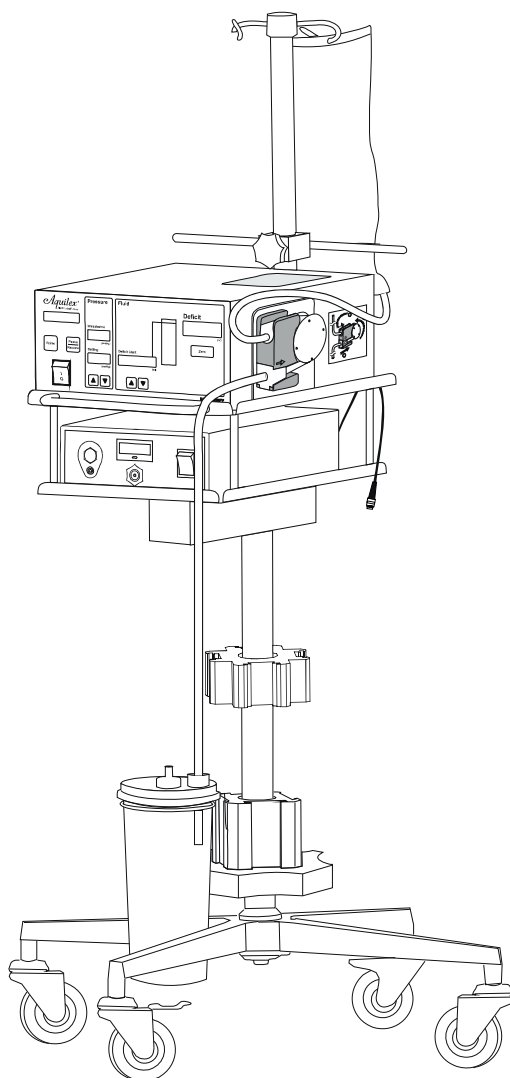


Fig. 8-3 Agencement de la mesure du déficit de liquide

8.7 Test opérationnel de la pompe à vide

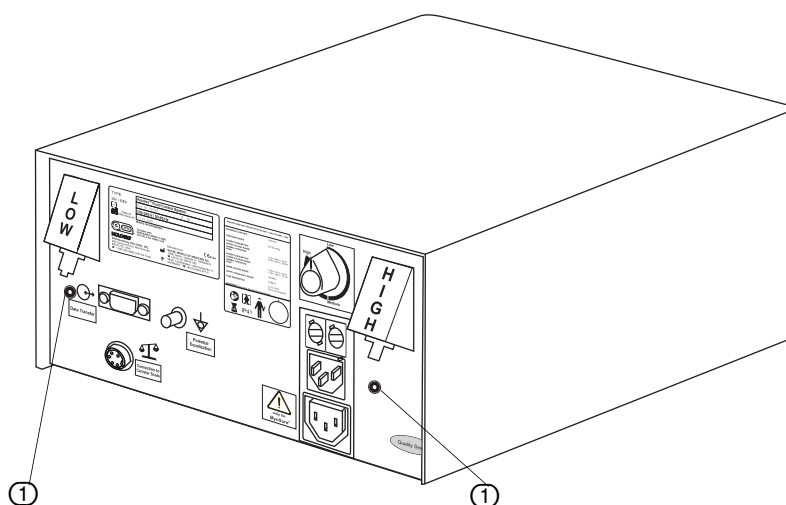
Ce test n'est pas conçu comme un test de performance pour mesurer la dépression. Le test indique seulement si la pompe à vide est opérationnelle.

1. Une fois les tests fonctionnels de base 8.3 à 8.5 réalisés, 8.3 à 8.5, passer à l'étape 2. Si ce n'est pas le cas, voir test fonctionnel de base 8.4 étapes 1 à 9.
2. Vérifier si au moins un raccord est ouvert dans le récipient.
3. Appuyer sur la touche **Pause/Resume**.
4. Placer un doigt au-dessus des orifices d'évacuation dorés (Fig. 8-4, ①) au dos de la pompe pour sentir le flux d'air.

Entrer les résultats sur la feuille du procès-verbal à la section 15.1. Le test est effectué avec succès lorsque une circulation d'air est observée.

FR

Fig. 8-4 Orifices d'évacuation de la pompe à vide



9 Messages d'erreur et d'avertissement

Les messages apparaissent dans l'affichage de la pompe et des signaux sonores retentissent. Les signaux qui indiquent un message d'avertissement ou de fonctionnement retentissent plusieurs fois.

Message sur l'affichage de la pompe	Signaux sonores	Marche à suivre
Check Tube Set Installation (Vérifier installation lot de tubulures)	1 signal sonore	Retirer le lot de tubulures et le réintroduire. Lorsque le message réapparaît, introduire le nouveau lot de tubulures.
Tube Set Over Usage Limits (Lot de tubulures usé)	1 signal sonore	La reconnaissance du lot de tubulures indique que le lot de tubulures a déjà été utilisé. Installer un nouveau lot de tubulures.
Check Flow Path, Stopcock, Clamps (Contrôler les voies d'écoulement, le robinet d'arrêt, les pinces)	3 signaux sonores	La voie d'écoulement est obstruée. Vérifier si les pinces des poches et le robinet d'arrêt de l'hystéroscope sont ouverts. Vérifier que le lot de tubulures n'est pas obstrué.
Incorrect Tube Set (Mauvais lot de tubulures)	1 signal sonore	Remplacer le lot de tubulures. Le lot de tubulures ne correspond pas au type destiné au système Aquilex.
Pump Paused, Press Resume (Arrêter pompe, appuyer sur touche Resume)	1 signal sonore	La touche Pause/Resume a été activé. Appuyer à nouveau sur la touche « Pause/Resume » afin de poursuivre l'opération.
Container Change, Press Resume (Changement de récipient, appuyer sur touche Resume)	3 signaux sonores	Retirer les récipients sans appuyer sur la touche Pause. Installez de nouveaux récipients et appuyer sur la touche « Pause/Resume ».
Overpressure Open Stopcock (Surpression/Ouvrir robinet d'arrêt)	3 signaux sonores	Se déclenchent principalement lorsque le robinet d'arrêt de l'hystéroscope est fermé et que la pompe fonctionne au plus haut débit. Ouvrir le robinet d'arrêt de l'hystéroscope ou retirer d'autres fermetures afin de libérer la pression.
Overpressure Check Stopcock (Surpression ; Vérifier robinet d'arrêt)	Répétition constante de 5 signaux sonores jusqu'à réduction de la pression	La pression a dépassé le seuil de sécurité de 200 mmHg et doit être réduite. Le motif le plus fréquent est un robinet d'arrêt d'hystéroscope fermé alors que la pompe fonctionne au débit le plus élevé. Ouvrir le robinet d'arrêt de l'alimentation sur l'hystéroscope ou éliminer le blocage qui pince le lot de tubulures d'entrée.
Maximum Pressure (Pression maximale)	Pas de signal sonore	Le message « Maximum Pressure » (Pression maximale) s'affiche lorsque la pression intra-utérine réelle est supérieure à 150 mmHg.
Deficit Limit Reached (Limite du déficit atteinte)	3 signaux sonores	Les mesures à prendre sont laissées à l'appréciation du médecin.
Deficit Limit Exceeded (Limite du déficit dépassée)	3 signaux sonores	Les mesures à prendre sont laissées à l'appréciation du médecin. Si besoin, procéder à un contrôle manuel du déficit.
Pressure Threshold (Valeur seuil de la pression)	1 signal sonore	Des pressions supérieures à 100 mmHg ne sont généralement pas nécessaires pour une hystérocopie. Le déficit de liquide doit faire l'objet d'une surveillance attentive.
Connect Scale Restart System (Raccorder l'unité de pesage, redémarrer le système)	3 signaux sonores	Vérifier le raccordement de l'unité de pesage. Raccorder de nouveau l'unité de pesage et redémarrer l'appareil. Si le message réapparaît, s'adresser à Hologic.

Messages d'erreur et d'avertissement

Message sur l'affichage de la pompe	Signaux sonores	Marche à suivre
Remove Tube Set for System Check (Retirer le lot de tubulures pour le test du système)	1 signal sonore	Lors du test du système, aucun lot de tubulures ne doit se trouver dans la roue dentée. Retirer le lot de tubulures et attendre que le signal sonore retentisse et que le message « Insert Tube Set » (Introduire le lot de tubulures) apparaisse.
Prime Fail-Open Stopcock, Clamps (Echec de l'amorçage ; Ouvrir le robinet d'arrêt, les pinces)	3 signaux sonores	Vérifier si les pinces des poches et le robinet d'arrêt de l'hystéroscope sont ouverts. Appuyer sur la touche « Prime » pour redémarrer.
High Fluid Loss Check Leakage (Perte de liquide importante ; contrôler les fuites)	3 signaux sonores	Les mesures à prendre sont laissées à l'appréciation du médecin. Si besoin, procéder à un contrôle manuel du déficit.
Scale Overload Scale Check (Unité de pesage surchargée) Vérifier unité de pesage	3 signaux sonores	Le poids sur l'unité de pesage dépasse 30 kg. Le poids sur l'unité de pesage doit être réduit. Le fonctionnement du système reprend dès que l'excédent de poids est retiré.
Communication Error (Erreur de communication)	5 signaux sonores	S'adresser à l'assistance technique d'Hologic.
Calibration Error (Erreur de calibrage)	5 signaux sonores	S'adresser à l'assistance technique d'Hologic.
Sensor Error (Erreur de sonde)	5 signaux sonores	S'adresser à l'assistance technique d'Hologic.
Motor Error (Erreur du moteur)	5 signaux sonores	S'adresser à l'assistance technique d'Hologic.
Low Vac Failed Use Alternative (Panne vide faible ; utiliser alternative)	3 signaux sonores	Une source alternative pour le vide faible doit être utilisée pour poursuivre l'intervention. S'adresser à l'assistance technique d'Hologic.
High Vac Failed Use Alternative (Panne vide élevé ; utiliser alternative)	3 signaux sonores	Une source alternative pour le vide élevé doit être utilisée pour poursuivre l'intervention. S'adresser à l'assistance technique d'Hologic.
Vac Systems Out Use Alternative (Panne système de vide ; utiliser alternative)	3 signaux sonores	Une source de vide alternative doit être utilisée pour poursuivre l'intervention. S'adresser à l'assistance technique d'Hologic.

FR

10 Caractéristiques techniques

Type d'appareil ou désignation de l'appareil	AQL-100		
Plage de tension du secteur [V]	100-240 V		
Plage de fréquence d'alimentation [Hz]	50-60 Hz		
Description de fusible	2 x T 3,15 AH, 250 V, homologation UL		
Consommation de puissance	Courant [A]	Tension [V]	Consommation de puissance [VA/W]
Plage de tension supérieure			
	Mode normal de service	0,19 A	240 V 45 VA
	Maximales	0,69 A	240 V 165 VA
Plage de tension inférieure			
	Mode normal de service	0,52 A	100 V 52 VA
	Maximales	1,70 A	100 V 170 VA
Catégorie de protection (I, II, III)	I		
Partie de l'application du type (B, BF, CF)	Conçu pour fonctionner avec un système isolé de classification BF		
Protection défibrillateur (oui / non)	Non		
Catégorie de protection (code IP)	IP41 (pompe), IP21 (unité de pesage)		
Classification (I, IIa, IIb, III) conformément à l'annexe IX MDD europ.	IIb		
Conformité avec les normes suivantes :	EN 60601-1:2006 / CEI 60601-1:2005 EN 60601-1-2:2007 / CEI 60601-1-2:2007		
Conditions de fonctionnement	10 à 40 °C Taux d'humidité relatif de l'air de 30 à 75 % Pression de l'air 70 à 106 kPa Hauteur d'utilisation max. de 3000 m au-dessus du niveau de la mer		
Utilisation possible avec gaz anesthésiques explosifs	Ce système n'est pas conçu pour une utilisation avec des gaz anesthésiques explosifs (classe AP) ou des gaz anesthésiques explosifs avec oxygène (classe APG).		
Conditions de stockage et de transport	de -20 à +70 °C Taux d'humidité relatif de l'air de 10 à 90 % Pression de l'air 70 à 106 kPa		
Niveau sonore maximal	< 80 dB(a)		
Charge maximale	30 kg		
Valeurs paramétrables			
	Plage de pression [mmHg]	40-150 mmHg	
Plage de mesure			
	Débit [ml/min]	0-800 ml/min.	
	Pression [mmHg]	0-500 mmHg	
	Déficit [ml]	-995/+9 995	
Exactitude, reproductibilité			
	Débit [ml/min]	±5 ml/min.	
	Pression [mmHg]	±2 mmHg	
	Déficit [ml]	±10 ml	
Mesures	Largeur x hauteur x profondeur [mm]	300 mm x 140 mm x 300 mm (AQL-100P), 670 mm x 1 320 mm x 670 mm (AQL-100CS),	
Poids [kg]	[5,8 kg] (AQL-100P), [10,5 kg] (AQL-100CS)		

Caractéristiques techniques

Exactitude		
	Débit [% valeurs de mesure]	±7 %
	Pression [mmHg]	±7,5 mmHg
	Déficit [% valeurs de mesure]	±10 %
Interfaces :		
	Signal ON/OFF pour composants	1 x prise de l'unité de pesage (jack bridé/douille de raccordement ronde avec 5 broches/RS232) 1 x raccord de service (prise femelle RS232 DSUB9/RS232)
	Câble secteur	CEI-60320-1 C14

FR

11 Consignes et explications du fabricant - compatibilité électromagnétique

11.1 Influence des équipements et systèmes HF mobiles et portables

Le rayonnement de l'énergie haute fréquence des équipements de communication modernes peut influencer sur le fonctionnement de l'appareil électrique médical. Il n'est par conséquent pas permis de manipuler ces appareils (tels les téléphones mobiles, téléphones GSM) à proximité d'appareils électriques médicaux.

11.2 Branchements électriques



Il est interdit de toucher les branchements électriques munis de cette plaque d'avertissement. Il est interdit de réaliser une connexion entre ces fiches et prises sans avoir préalablement prévu de mesures de protection ESD.

Mesures de protection ESD :

- Application de la liaison équipotentielle (LE) sur tous les appareils à connecter (si disponible sur vos appareils)
- Utilisation exclusive des accessoires mentionnés

Informez ou formez le personnel au niveau des mesures de protection ESD.

Mesures de protection ESD

11.3 Lignes directrices et explications du fabricant – Emissions électromagnétiques

L'Aquilex Fluid Control System a été conçu pour être mis en service dans l'environnement électromagnétique décrit ci-dessous. L'utilisateur d'Aquilex Fluid Control System devra s'assurer du fonctionnement de l'appareil dans un tel environnement.

Mesures d'émissions perturbatrices	Conformité	Environnement électromagnétique - Lignes directrices
Emission HF selon CISPR 11	Groupe 1	L'Aquilex Fluid Control System emploie exclusivement de l'énergie HF pour ses fonctions internes. Son rayonnement HF est par conséquent très faible et il est peu probable qu'il y ait des interférences avec d'autres appareils électroniques se trouvant à proximité.
Emission HF selon CISPR 11	Classe B	L'Aquilex Fluid Control System se prête à une utilisation dans toutes les installations, y compris celles d'habitations et celles qui sont reliées à un réseau d'alimentation public alimentant également des immeubles résidentiels.
Emission d'harmoniques selon CEI 61000-3-2	Classe A	
Emission de fluctuations de tension / flicker selon CEI 61000-3-3	Conforme	

11.4 Lignes directrices et explications du fabricant – Immunité aux parasites électromagnétiques


L'Aquilex Fluid Control System a été conçu pour être mis en service dans l'environnement électromagnétique décrit ci-dessous. L'utilisateur d'Aquilex Fluid Control System devra s'assurer du fonctionnement de l'appareil dans un tel environnement.

Essais d'immunité aux parasites électromagnétiques	Niveaux d'essai	Conformité	Environnement électromagnétique -Lignes directrices
Décharge d'électricité statique (DES) selon la norme CEI 61000-4-2	± 6 kV décharge au contact ± 8 kV décharge dans l'air	Conforme	Prévoir de préférence un sol en bois ou en béton ou des carrelages (céramique). En cas de sol revêtu d'un matériau synthétique, veiller à maintenir une humidité atmosphérique relative de 30 % au minimum.
Transitoires électriques rapides / salves selon la norme CEI 61000-4-4	± 2 kV pour les lignes électriques ± 1 kV pour les circuits d'arrivée et de sortie	Conforme	La qualité de la tension d'alimentation doit correspondre à la tension typique d'un environnement commercial ou hospitalier.
Tensions de choc selon la norme CEI 61000-4-5	± 1 kV tension en push-pull, ± 2 kV tension de mode commun	Conforme	La qualité de la tension d'alimentation doit correspondre à la tension typique d'un environnement commercial ou hospitalier.
Chutes de tension, interruptions momentanées et variations de la tension d'alimentation selon la norme CEI 61000-4-11	< 5 % U_T^* (> 95 % chute de U_T) pour $1/2$ période	Conforme	La qualité de la tension d'alimentation doit correspondre à la tension typique d'un environnement commercial ou hospitalier. Si l'opérateur du système sollicite également que la fonctionnalité reprenne après des interruptions/perturbations de l'alimentation, il est conseillé d'alimenter le système à partir d'une source d'alimentation en courant sans coupure.
	40 % U_T (60 % chute de U_T) pour 5 périodes		
	70 % U_T (30 % chute de U_T) pour 25 périodes		
	< 5 % U_T (> 95 % chute de U_T) pour 5 périodes		
Champ magnétique de la fréquence d'alimentation (50/60 Hz) selon CEI 61000-4-8	3 A/m	Conforme	Les champs magnétiques de la fréquence d'alimentation doivent correspondre aux valeurs typiques d'un environnement de commercial ou hospitalier.

*Remarque : U_T est la tension alternative de réseau avant l'application des niveaux d'essai.

FR

11.5 Lignes directrices et explications du fabricant – Immunité aux parasites électromagnétiques

Essais d'immunité aux parasites électromagnétiques	Niveaux d'essai	Conformité	Environnement électromagnétique -Lignes directrices
Grandeurs perturbatrices HF conduites selon CEI 61000-4-6	3 V _{eff} 150 kHz - 80 MHz	Conforme	<p>Les postes de radio portables et mobiles ne doivent pas être utilisés à une distance inférieure de l'Aquilex Fluid Control System, y compris tous les câbles/lignes, à la distance de sécurité recommandée, calculée selon l'équation correspondant à la fréquence émise et la formule applicable. Distances de sécurité recommandées :</p> <p>$d = 1,2\sqrt{P}$ pour 150 KHz à 80 MHz $d = 1,2\sqrt{P}$ pour 80 MHz à 800 MHz $d = 2,3\sqrt{P}$ pour 800 MHz à 2,5 GHz</p> <p>Avec P comme puissance nominale de l'émetteur en watts [W] et d comme distance de sécurité recommandée en mètres [m].</p> <p>Pour toutes les fréquences, l'intensité de champ des émetteurs radio stationnaires doit être inférieure au niveau de concordance conformément à une analyse in situ ^{a b}.</p> <p>Des interférences sont possibles à proximité d'appareils portant le signe suivant.</p> 
Grandeurs perturbatrices HF émises selon CEI 61000-4-3	3 V/m 80 MHz à 2,5 GHz	Conforme	

Remarque 1 : les puissances de 80 MHz et 800 MHz requièrent la gamme de fréquence plus élevée.

Remarque 2 : ces lignes directrices ne sont pas obligatoirement applicables de manière universelle. La diffusion des grandeurs électromagnétiques sont affectées par l'absorption et la réflexion des immeubles, des objets et des personnes.

^a L'intensité de champ d'émetteurs stationnaires, tels par les stations de base de téléphones sans fil et de radiotéléphones, de stations radio amateurs, d'émetteurs radiophoniques AM et FM et d'émetteurs télévisés ne peuvent théoriquement pas être prédéfinis avec précision. Pour déterminer l'environnement électromagnétique pour les émetteurs stationnaires, il serait utile de considérer une étude de l'emplacement respectif. Si l'intensité de champ mesurée à l'empla-

ement où l'Aquilex Fluid Control System est utilisé dépasse les niveaux de concordance indiqués plus haut, il est recommandé de contrôler l'Aquilex Fluid Control System pour prouver qu'il fonctionne correctement et selon l'usage prévu. En cas d'observation de caractéristiques inhabituelles, des mesures complémentaires peuvent s'imposer telles par ex. une orientation différente ou un autre emplacement d'Aquilex Fluid Control System.

^b Au-delà d'une plage de fréquence de 150 kHz à 80 MHz, l'intensité de champ doit être inférieure à 3 V/m.

11.6 Distances de sécurité recommandées entre les appareils de télécommunication HF portables et mobiles et l'Aquilex Fluid Control System

L'Aquilex Fluid Control System est destiné à être utilisé dans un environnement électromagnétique où les interférences HF sont contrôlées. L'utilisateur d'Aquilex Fluid Control System peut aider à éviter des interférences électromagnétiques en respectant la distance minimale entre les appareils de télécommunication HF portables et mobiles (émetteurs) et l'Aquilex Fluid Control System, en fonction de la puissance de sortie de l'appareil de communication comme indiqué ci-dessous.

Puissance nominale de l'émetteur [W]	Distance de sécurité en fonction de la fréquence émise [m]		
	150 kHz à 80 MHz $d = 1,2\sqrt{P}$	80 MHz à 800 MHz $d = 1,2\sqrt{P}$	800 MHz à 2,5 GHz $d = 2,3\sqrt{P}$
0,01	0,12	0,12	0,23
0,1	0,38	0,38	0,73
1	1,2	1,2	2,3
10	3,8	3,8	7,3
100	12	12	23

Pour les émetteurs dont la puissance nominale maximum ne figure pas dans le tableau ci-dessus, la distance de sécurité recommandée « d » peut être déterminé en mètres [m] en utilisant l'équation figurant dans la colonne respective, P étant la puissance nominale maximum de l'émetteur en watts [W] conformément aux indications du fabricant de l'émetteur.

Remarque 1 : les puissances de 80 MHz et 800 MHz requièrent la gamme de fréquence plus élevée.

Remarque 2 : ces lignes directrices ne sont pas obligatoirement applicables de manière universelle. La diffusion des grandeurs électromagnétiques sont affectées par l'absorption et la réflexion des immeubles, des objets et des personnes.

12 Liste des accessoires

Les groupes d'accessoires suivants sont disponibles :

Article	Numéro de commande
Lot de tubulures complet (entrée et sortie) Aquilex Fluid Control System	AQL-112
Lot de tubulures pour vide Aquilex Fluid Control System (élevé et faible)	AQL-114
Anneaux pour récipients Aquilex Fluid Control System	AQL-200
Câble secteur pour MyoSure® Aquilex Fluid Control System	AQL-213
Câble secteur (US) Aquilex Fluid Control System	AQL-215
Câble secteur (UK) Aquilex Fluid Control System	AQL-216
Câble secteur (UE) Aquilex Fluid Control System	AQL-217

13 Informations relatives à la garantie

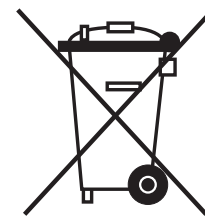
Hologic garantit à l'acheteur d'origine d'Aquilex Fluid Control System que celui-ci sera exempt de tout défaut de matériau et de fabrication lorsqu'il est utilisé comme prévu dans des conditions chirurgicales normales et conformément au mode d'emploi et aux instructions de maintenance. L'obligation d'Hologic dans le cadre de la présente garantie se limitera à réparer ou à remplacer gratuitement le produit, à son gré et sur une période d'un an à compter de la date d'achat. Sinon, Hologic pourra dédommager l'acheteur d'origine avec une somme ou un crédit correspondant au prix d'achat du système défectueux.

CETTE GARANTIE ANNULE ET REMPLACE TOUTES LES AUTRES GARANTIES EXPRESSES OU TACITES Y COMPRIS LES GARANTIES DE QUALITÉ MARCHANDE ET D'ADÉQUATION À UN USAGE PARTICULIER ET TOUTES LES AUTRES OBLIGATIONS ET RESPONSABILITÉS DE LA PART D'HOLOGIC. L'ENTIÈRE RESPONSABILITÉ DE GARANTIE D'HOLOGIC EST EXPRESSÉMENT LIMITÉE À LA RÉPARATION OU AU REMPLACEMENT (AU CHOIX D'HOLOGIC ET SOUS LE MODE DE LIVRAISON ORIGINAL) DU PRODUIT OU À LA CORRECTION DU SERVICE SUJET À RÉCLAMATION, OU, AU CHOIX D'HOLOGIC, À LA REMISE D'UN REMBOURSEMENT OU D'UN CRÉDIT AU CLIENT À HAUTEUR DU PRIX, DU TARIF OU DU COÛT HOLOGIC EN DÉCOULANT. CETTE GARANTIE LIMITÉE S'APPLIQUE UNIQUEMENT À L'ACHETEUR D'ORIGINE DU PRODUIT ET NE PEUT ÊTRE ÉTENDUE SANS EXCEPTION À UN TIERS, NI AU CLIENT DE L'ACQUÉREUR. CETTE GARANTIE S'ANNULE SI LE PRODUIT EST CÉDÉ PAR L'ACQUÉREUR À UNE ENTITÉ QUI ACQUIERT MOINS DE CINQUANTE (50) POUR CENT DE LA PROPRIÉTÉ DU PRODUIT. CETTE GARANTIE NE S'APPLIQUE PAS À UN SYSTÈME AQUILEX OU UN AQUILEX FLUID CONTROL SYSTEM, QUI A FAIT L'OBJET D'UN ACCIDENT, D'UNE NÉGLIGENCE, DE MODIFICATIONS OU D'UN USAGE ABUSIF OU INCORRECT OU QUI A ÉTÉ RÉPARÉ, TRANSPORTÉ OU MODIFIÉ PAR UNE AUTRE PERSONNE QUE LE PERSONNEL AGRÉÉ PAR HOLOGIC. HOLOGIC NE DONNE PAS LA MOINDRE GARANTIE EN CE QUI CONCERNE LES ACCESSOIRES OU PIÈCES UTILISÉS AVEC L'AQUILEX FLUID CONTROL SYSTEM ET NON FOURNIS ET/OU FABRIQUÉS PAR HOLOGIC. LE TERME « ACHETEUR D'ORIGINE », TEL QU'UTILISÉ DANS LA GARANTIE, SERA CONSIDÉRÉ COMME DÉSIGNANT LA PERSONNE OU L'ORGANISATION ET SES EMPLOYÉS, LE CAS ÉCHÉANT, À LAQUELLE HOLOGIC A VENDU LE SYSTÈME AQUILEX.

Assistance technique et informations relatives au retour du produit

Si l'Aquilex Fluid Control System ne fonctionne pas correctement, adressez-vous à l'Assistance technique d'Hologic. Si l'appareil doit être retourné à Hologic quelle qu'en soit la raison, l'assistance technique vous communiquera un numéro ARA (autorisation de retour d'article). Retournez le système Aquilex conformément aux instructions de l'assistance technique. Avant tout retour du système Aquilex, veillez à le nettoyer soigneusement avec un chiffon humide propre et un germicide ou de l'alcool d'isopropyle.

Hologic ainsi que des points de vente et clients au sein de l'Union européenne sont soumis à la directive 2002/96/CE relative aux déchets d'équipements électriques et électroniques. Hologic est également tenue de respecter les exigences nationales en matière de traitement écologique des déchets de ses produits. L'objectif d'Hologic est de réduire les déchets issus de l'élimination des équipements électriques et électroniques. Hologic reconnaît que ces appareils doivent faire l'objet d'une réutilisation potentielle, d'une préparation, d'un recyclage ou d'une récupération afin de réduire la quantité de substances nocives pour l'environnement. Les clients d'Hologic au sein de l'Union européenne doivent veiller à ce que les appareils médicaux identifiés par le symbole suivant (directive DEEE à appliquer) ne soient pas mis au rebut comme des déchets ménagers, sauf autorisation correspondante des autorités locales.



Adressez-vous à l'assistance technique d'Hologic pour mettre au rebut le système Aquilex en conformité avec la directive DEEE.

Assistance technique Hologic

États-Unis et Canada :

Téléphone : 1.800.442.9892 (gratuit) ou 1.508.263.2900

Fax : 1.508.229.2795

Mandataire européen :

Téléphone : +32 2 255 17 74

14 Glossaire

Terme	Explication
Embolie	Occlusion soudaine d'un vaisseau sanguin due à un embolus.
Taux de débit	Quantité (en ml) de liquide acheminée dans la tubulure en une minute.
Hypervolémie	Augmentation du volume sanguin circulant
Hyponatrémie	Faible concentration en sodium (< 130 mmol/l) dans le sang du patient
Hystéroscope	Endoscope permettant d'explorer l'intérieur de l'utérus
Pression intra-utérine	Pression dans la cavité utérine
Intravasation	Pénétration de corps étrangers dans un vaisseau sanguin
Contamination	Pollution des pièces, de l'eau, des denrées alimentaires, des objets ou des personnes par des micro-organismes ou des matières radioactives, des produits biologiques nocifs ou des substances chimiques.
Contre-indications	Circonstances (ex. âge, grossesse, maladie et/ou traitement médicamenteux) qui interdisent de prendre des mesures – en soit indiquées - (mais allant à l'encontre d'une indication).
Solution saline	Solution saline isotonique, c'est-à-dire un litre (l) contenant 9,0 grammes (g) de chlorure de sodium
Syndrome RTU	Syndrome de résection transurétrale

15 Annexe

15.1 Procès-verbal de tests

FR

Date	Tests réalisés	Résultat	Remarque	Signature

Index alphabétique**A**

Augmentation du déficit 27

B

Branchement à une prise secteur 12

C

Capacité de l'unité de pesage 16

Certificat 28

Charger/décharger l'unité de pesage en service 27

Contre-indications 5

D

Domaine d'utilisation technique 10

É

Élimination des déchets 4

E

Entretien et maintenance 4, 28

G

Grave dysfonctionnement du système 27

I

Inscription au bilan précise 16

Installation du lot de tubulures 24

L

Législation fédérale américaine 4

Liaison équipotentielle 12

Limitation de la pression lors de la remise en marche 27

M

Mesure et réglage de la pression 10

Mesures de précaution 12

Mesures de protection ESD 39

Modalités d'emploi 5

N

Non-responsabilité 4

O

Ouvrir le carton d'emballage 23

P

Première installation du système 12

Prescription du fabricant 30

R

Raccorder les poches de liquide 24

Réalisation du test du taux de débit 31

Reconnaissance du lot de tubulures 19

S

Seuil de sécurité 24

Sous réserve de modifications techniques 3

T

Techniciens de maintenance habilités 4

Terre de protection 12

Tests à effectuer lors de l'inspection 30

U

Uniquement pour l'opérateur US-Américain 12

Unité de pesage surchargée 27

Utilisation conforme 4

Índice

1	Advertencias importantes	3
2	Indicaciones de seguridad	4
3	Uso del aparato	5
3.1	Peligros y medidas preventivas	5
3.1.1	Peligros	5
3.1.2	Medidas preventivas	10
3.2	Descripción del Aquilex Fluid Control System.....	10
4	Primer montaje del sistema	12
4.1	Preparación del sistema	12
4.2	Montaje del sistema	13
5	Manejo del sistema	14
5.1	Parte delantera de la bomba	14
5.2	Parte trasera de la bomba	14
5.3	SopORTE con balanza	15
5.3.1	Configuración de la balanza.....	16
5.3.2	Conexión del tubo de vacío	17
5.4	Encendido del sistema Aquilex.....	18
5.5	Colgado de las bolsas de líquido	19
5.6	Uso de juegos de tubos.....	20
5.7	Resumen de los tubos	20
5.8	Conexión del juego de tubos de salida.....	20
5.8.1	Conexión de salida MyoSure®	21
5.9	Disposición del juego de tubos de entrada.....	22
5.10	Preselección de la presión intrauterina nominal.....	24
5.11	Ajuste del límite del déficit.....	24
5.12	Utilización de la bomba durante una intervención quirúrgica	24
5.13	Cambio de recipientes durante la intervención	25
5.14	Volumen total mostrado.....	26
5.15	Apagado del sistema	26
6	Funciones de seguridad	27
7	Cuidados y mantenimiento	28
7.1	Limpieza del sistema	28
7.2	Mantenimiento por el servicio técnico autorizado	28
7.3	Sustitución del fusible	28
8	Inspección anual	30
8.1	Test de seguridad.....	30
8.2	Test de funciones básicas	30
8.3	Test de la balanza	30
8.4	Test del caudal	31
8.5	Test de medida de presión	32
8.6	Test de la medición del déficit de líquido	33
8.7	Test de la bomba de vacío	34
9	Mensajes de error y de advertencia	35
10	Datos técnicos	37
11	Indicaciones y aclaraciones del fabricante respecto a la compatibilidad electromagnética	39
11.1	Influencia de aparatos de comunicación móviles y portátiles de alta frecuencia.....	39
11.2	Conexiones eléctricas.....	39
11.3	Directrices y aclaración del fabricante - Emisiones electromagnéticas	40
11.4	Directrices y aclaración del fabricante - Resistencia a interferencias electromagnéticas	41
11.5	Directrices y aclaración del fabricante - Resistencia a interferencias electromagnéticas	42
11.6	Distancias de protección recomendadas entre aparatos de telecomunicación de alta frecuencia móviles y portátiles y el Aquilex Fluid Control System.....	43
12	Lista de accesorios	44
13	Información sobre la garantía	45
14	Glosario	47
15	Anexo	48
15.1	Registro de test	48
	Índice alfabético	49

1 Advertencias importantes

Lea este manual detenidamente, e infórmese sobre el manejo y funcionamiento del Aquilex® Fluid Control System (Sistema Aquilex) y de sus accesorios antes de su utilización en el quirófano. No respetar las instrucciones del manual puede

- ocasionar incluso lesiones mortales al paciente,
- ocasionar lesiones graves al personal de quirófano, de enfermería y auxiliares,
- o dañar o hacer fallar el sistema y/o los accesorios.

El fabricante se reserva el derecho a que las ilustraciones y los datos técnicos puedan diferir ligeramente del producto suministrado debido al desarrollo constante de los productos.

Los párrafos y apartados que comiencen con PELIGRO, ATENCIÓN y ADVERTENCIA tienen una importancia especial. Léalos con especial atención.

PELIGRO

Está en peligro la seguridad del paciente o del usuario. Tenga siempre en cuenta este aviso para no lesionar al paciente ni a los usuarios.

ATENCIÓN

Los avisos se refieren a riesgos para el sistema. Tenga siempre en cuenta este aviso para no dañar el sistema.

ADVERTENCIA

Las advertencias contienen información especial o adicional útil para aclarar las instrucciones.

Reservado el derecho a realizar modificaciones técnicas

Observación importante



2 Indicaciones de seguridad

Derecho Federal Estadounidense (sólo para el mercado estadounidense)

Atención: Conforme al derecho federal estadounidense, el aparato sólo podrá ser adquirido por un médico o por disposición del mismo.

Exclusión de la responsabilidad

Hologic no asume la responsabilidad de los daños directos ni resultantes, y la garantía se extingue si

- el sistema y/o los accesorios son utilizados, preparados o inspeccionados indebidamente,
- no se observan las instrucciones del manual,
- o si personas no autorizadas realizan reparaciones, ajustes o modificaciones en el sistema o en los accesorios,
- si personas no autorizadas abren el sistema,
- o si no se observen los intervalos prescritos de inspección y mantenimiento.

La entrega de documentación técnica no implica autorización alguna para llevar a cabo reparaciones, ajustes ni modificaciones en el sistema ni en los accesorios.

Técnicos autorizados de servicio técnico

Solamente el servicio técnico autorizado podrá realizar reparaciones, ajustes o modificaciones en el sistema o en los accesorios. La transgresión de estas disposiciones conlleva la exclusión de responsabilidad por parte del fabricante. Los técnicos de servicio autorizados sólo pueden ser instruidos y certificados por el fabricante.

Uso previsto

El sistema sólo puede ser utilizado conforme a su uso previsto.

Cuidados y mantenimiento

El cuidado y mantenimiento reglamentario para el sistema y los accesorios deberán ser observados sin falta, a fin de garantizar el funcionamiento seguro de los mismos. Por lo tanto, para proteger al paciente y al equipo del quirófano se deberá comprobar, antes de cada uso, si el aparato y los accesorios están completos y si funcionan correctamente.

Eliminación de residuos



En la Unión Europea este símbolo indica que los residuos de equipos eléctricos y electrónicos no deben eliminarse como residuos municipales no clasificados, sino que deben desecharse por separado. Póngase en contacto al respecto con Hologic o con una compañía de eliminación de residuos autorizada.

3 Uso del aparato

El sistema Aquilex® Fluid Control System sirve para distender el útero mediante irrigación de líquido para la histeroscopia diagnóstica y quirúrgica así como para controlar la diferencia de volumen entre el líquido irrigado al útero y el líquido que sale del útero.

Está prohibido usar el sistema para irrigar líquidos en el útero cuando esté contraindicada la histeroscopia. Observe las contraindicaciones específicas y relativas en las instrucciones de manejo del histeroscopio.

Contraindicaciones relativas de una ablación endometrial:

Una ablación endometrial histeroscópica mediante cirugía eléctrica o con láser solamente se debería llevar a cabo tras haber recibido una formación apropiada y disponiendo de la experiencia clínica correspondiente. Además será necesario realizar una biopsia antes de destruir el endometrio. Las condiciones clínicas que figuran a continuación pueden llegar a complicar notablemente una ablación endometrial histeroscópica:

- Hiperplasia adenomatosa del endometrio
- Leiomioma uterino
- Adenomiosis aguda
- Dolores de pelvis (afección de pelvis sutil inflamatoria)
- Anomalías del útero
- Prácticas quirúrgicas (véase más arriba)
- Anemia aguda
- Imposibilidad de evitar el mioma debido a su tamaño – mioma predominantemente intramural con pequeñas partículas submucosas.

3.1 Peligros y medidas preventivas

3.1.1 Peligros

PELIGRO

Cuando se utilizan aparatos de electrocirugía histeroscópica monopolar, el líquido utilizado debe ser no conductor. Líquidos no conductores son p. ej. la glicina, el sorbitol y el manitol. Los líquidos de irrigación formados por solución salina isotónica sólo deben utilizarse cuando se realizan resecciones bipolares electroquirúrgicas.



PELIGRO

A fin de permitir una distensión intrauterina conveniente y de reducir las fuerzas que pudieran introducir el líquido, el aire ambiental y/o el gas en el ciclo circulatorio, la presión se deberá mantener lo más baja posible.



PELIGRO

Por lo general, la distensión intrauterina puede obtenerse con unos valores de presión de entre 35 y 70 mmHg. Una presión superior a 75-80 mmHg solamente se requerirá – excepto en unos pocos casos excepcionales – cuando la presión sanguínea sea excesiva.



PELIGRO

En caso de utilizar el soporte con balanza, deberá seguir exactamente las instrucciones de uso al respecto recogidas en este manual.



ES



PELIGRO

Fluid overload (Sobrecarga de líquido)

Existe el riesgo de que el líquido de irrigación penetre, a través del útero, en la circulación sanguínea o en los tejidos de la paciente. Esta penetración se puede ver influenciada por la presión de distensión, el caudal, la perforación de la cavidad uterina o la duración de la histeroscopia. Es muy importante vigilar en todo momento la entrada y la salida del líquido para la distensión.



PELIGRO

Déficit de líquido

Es necesario observar la cantidad de líquido que queda en la paciente. El déficit es la cantidad total de líquido que queda en la paciente o que se ha perdido de otro modo. Debe tenerse en cuenta la tolerancia de medida del sistema (véase el capítulo 10, Datos técnicos). La estimación de la cantidad de líquido que queda en la paciente se deja a la valoración y la responsabilidad del médico.



PELIGRO

Supervisión de le entrada y salida de líquido

Debe supervisarse de forma estricta la entrada y salida de líquidos. Cuando se utiliza un líquido de baja viscosidad, la irrigación intrauterina de más de 2 litros de líquido debe vigilarse muy exactamente, ya que existe la posibilidad de que se produzca una "sobrecarga de líquido" (Fluid overload). Cuando se utiliza un líquido de alta viscosidad (como Hyskon), la irrigación intrauterina de más de 500 mililitros debe ser vigilada con mucha precisión. Para más información, véase la descripción del producto Hyskon.



PELIGRO

Concentración de sodio en el suero sanguíneo

La concentración de sodio en la sangre de la paciente debe vigilarse para evitar un desequilibrio electrolítico. La supervisión de la concentración de sodio en sangre le compete al médico, no se realiza a través del sistema ni la contempla el sistema.



PELIGRO

La indicación del déficit se pierde en caso de fallo en la alimentación de corriente o de una breve interrupción de la misma.



PELIGRO

Hiponatremia

Algunos líquidos pueden dar lugar a una "sobrecarga de líquido" (Fluid overload) con la subsiguiente hiponatremia y sus correspondientes consecuencias. Esta se puede ver influenciada por la presión de distensión, el caudal y la duración de la histeroscopia. Es muy importante vigilar en todo momento la entrada y la salida del líquido para la distensión.



PELIGRO

Edema pulmonar

A la histeroscopia se asocia un riesgo de edema pulmonar, que se produce por una "sobrecarga de líquido" (Fluid overload) con un líquido isotónico. Es muy importante vigilar en todo momento la entrada y la salida del líquido para la dis-

tensión.

PELIGRO

Edema cerebral

A la histeroscopia se asocia un riesgo de edema cerebral, que se produce por una "sobrecarga de líquido" (Fluid overload) y un desequilibrio electrolítico al utilizar líquidos hiposmolares (no iónicos), tales como la glicina al 1,5% y el sorbitol al 3,0%. Es muy importante vigilar en todo momento la entrada y la salida del líquido para la distensión.



PELIGRO

Reacciones idiosincráticas

En casos raros puede aparecer reacciones idiosincráticas, como

- coagulopatía intravascular
- reacción alérgica inclusive anafilaxia

durante la histeroscopia, cuando se introduce un líquido de distensión. Se han observado especialmente reacciones anafilácticas idiosincráticas cuando se emplea Hyskon como líquido de irrigación durante la histeroscopia. Estas deben tratarse médicamente como otras reacciones alérgicas.



ES

PELIGRO

Hipotermia (supervisión de la temperatura corporal)

Durante le histeroscopia, el flujo continuado del líquido de distensión puede provocar en la paciente una disminución de la temperatura corporal. Una temperatura corporal más baja puede causar problemas en los vasos coronarios y en el sistema cardiovascular. Por ello, controle la temperatura de la paciente durante toda la operación. Intente ante todo evitar en la medida de lo posible las siguientes condiciones de operación, favorecedoras de la hipotermia:

- duración prolongada de la operación
- uso de un líquido de irrigación frío.



PELIGRO

Ruptura de trompa de Falopio debida a una obstrucción de la misma

La distensión del útero puede producir un desgarro en la trompa de Falopio, cuando esta se encuentra bloqueada o cerrada de forma permanente. Por la ruptura, el líquido de irrigación puede fluir a la cavidad peritoneal y provocar una "sobrecarga de líquido" (Fluid overload). Es muy importante vigilar en todo momento la entrada y la salida del líquido para la distensión.



PELIGRO

Sí el aire que se encuentra en el sistema de tubos o en el instrumento conectado a este va a parar a la paciente, es posible que sufra una embolia gaseosa. Siempre debe haber líquido en la bolsa de líquido para que no se pueda bombear aire a la paciente.



PELIGRO

El sistema solamente es adecuado para utilizar recipientes de líquido flexibles. Existe peligro de rotura al utilizar recipientes de vidrio. Cuando se utilizan recipientes rígidos, el líquido puede que no fluya suficientemente rápido, ya que en el recipiente se forma vacío. El uso de recipientes rígidos entraña el riesgo de una



rotura hacia dentro.



PELIGRO

El llenado de los tubos con el líquido de irrigación y el ajuste de la indicación del déficit a cero los realiza el médico según su criterio.



PELIGRO

El sistema debe colocarse de tal modo que sea posible en todo momento observar los valores indicados, controlar la función del sistema y acceder a los elementos de mando.



PELIGRO

Si sospecha de la existencia de un fallo en el sistema o si encuentra un fallo durante el control del funcionamiento, quedará totalmente prohibido utilizar el sistema. Esto también es válido en caso de que existan defectos y daños evidentes, especialmente en el enchufe de alimentación de red y en el cable de red.



PELIGRO

Con el interruptor de ON/OFF (encendido/apagado) no se desconecta el sistema de la red. Para ello desconecte el enchufe de red de la parte trasera del sistema.



PELIGRO

Técnica y procedimiento

Sólo el médico podrá decidir si se debe utilizar el sistema con el paciente desde el punto de vista clínico. El médico deberá determinar qué técnica y qué procedimiento se deben utilizar para conseguir el resultado clínico deseado.



PELIGRO

Controle todos los ajustes de fábrica.

Los ajustes de fábrica no son prescripciones ni parámetros para el médico. El médico es la persona responsable de todos los ajustes que atañen a las condiciones de operación.



PELIGRO

Accesorios originales

Para su propia seguridad y para la seguridad del paciente, sólo está permitido el uso de accesorios Aquilex.



PELIGRO

Riesgo de explosión

El sistema no está protegido contra explosiones. No deberá utilizarse cerca de gases de anestesia explosivos.



PELIGRO

No se permite realizar modificaciones en el sistema.

PELIGRO

Para evitar el riesgo de una descarga eléctrica, el sistema sólo deberá conectarse a una red de suministro eléctrico con conductor de puesta a tierra.



PELIGRO

Cualificación profesional

Este manual no contiene ni descripciones ni instrucciones sobre las técnicas de la operación. Tampoco es adecuado para iniciarse en las técnicas de la operación. Los instrumentos y sistemas médicos sólo deberán ser utilizados por médicos o asistentes médicos que cuenten con la adecuada cualificación técnica y médica, y trabajen bajo la dirección y supervisión de un médico.



PELIGRO

Medios y accesorios estériles

Trabaje exclusivamente con sustancias y medios estériles, fluidos estériles y accesorios estériles, cuando esto esté indicado.



ES

PELIGRO

Sistema de reserva y accesorios

Tenga siempre a mano un sistema de reserva y accesorios de reserva para, en caso de fallo en el sistema o en los accesorios principales, poder finalizar sin riesgo la intervención quirúrgica iniciada.



PELIGRO

Limpieza del sistema

En ningún caso deberá esterilizarse el sistema.



PELIGRO

Entrada de agua/condensación

Proteja el sistema de la humedad. No utilice al sistema si ha penetrado algún líquido en él.



PELIGRO

Defecto del sistema

No utilice el sistema si sospecha o confirma un defecto en el mismo. En dicho caso deberá asegurarse de que el sistema no pueda utilizarse hasta que lo compruebe y repare un servicio técnico autorizado.



PELIGRO

Cambio del fusible

Al cambiar el fusible, tenga en cuenta que el nuevo fusible corresponda al tipo establecido (véase el capítulo 10, Datos técnicos).



PELIGRO

El sistema se debe instalar de modo que sea posible extraer fácilmente el cable de alimentación de red.



3.1.2 Medidas preventivas



ATENCIÓN

Derecho Federal Estadounidense (sólo para el mercado estadounidense)
 Conforme al derecho estadounidense, el aparato sólo podrá ser adquirido por un médico o por disposición del mismo.



ATENCIÓN

Cuando el sistema Aquilex se utiliza con MyoSure® u otro sistema morcelador, la combinación entre una baja presión nominal y una elevada presión de vacío puede dar lugar a una pérdida significativa de presión de distensión intrauterina, lo que puede reducir la visión en el campo operatorio. Y a la inversa, cuando se emplean presiones de distensión elevadas, la desconexión del sistema MyoSure® o de otro sistema morcelador puede provocar presiones pico de más de 150 mmHg. Estas situaciones pueden producirse brevemente cuando el sistema ajusta automáticamente el caudal para volver a la presión nominal intrauterina ajustada.



ATENCIÓN

El sistema sólo se podrá combinar con histeroscopios cuyo uso según las prescripciones y datos técnicos permita una aplicación conjunta. Todos los histeroscopios que se utilicen deberán cumplir las especificaciones de las normas IEC 60601-2-18 e ISO 8600 en sus versiones actuales.



ATENCIÓN

Interferencias eléctricas: (véase el capítulo 11, Indicaciones y aclaraciones del fabricante respecto a la compatibilidad electromagnética). Al desarrollar y comprobar este sistema se ha puesto especial atención en que las interferencias eléctricas provenientes de otros sistemas sean prácticamente imposibles. Sin embargo, si sospecha de interferencias de este tipo, estas pueden contrarrestarse adoptando las medidas siguientes:

- cambiando la ubicación espacial del sistema Aquilex o de otros sistemas, o de ambos
- aumentando la distancia entre los sistemas utilizados
- solicitando la asistencia de un especialista en electromedicina



ATENCIÓN

Compruebe que la tensión de red disponible se corresponda con la tensión indicada en la placa identificativa situada en la parte trasera de la bomba. Una tensión de red incorrecta puede provocar fallos de funcionamiento y estropear el sistema.

3.2 Descripción del Aquilex Fluid Control System

La presión nominal intrauterina se ajusta en la parte delantera de la bomba. Se puede seleccionar dentro de un intervalo comprendido entre 40 y 150 mmHg. El caudal de entrada máximo es de 800 ml/min y la bomba lo reducirá automáticamente en cuanto se alcance la presión nominal intrauterina preestablecida.

El sistema está diseñado desde el punto de vista del líquido y del vacío para maximizar el rendimiento del sistema de resección tisular MyoSure® Tissue Removal System.

Ámbito de aplicación técnico

Posibles medios de distensión

El Aquilex Fluid Control System se puede utilizar con medios hipotónicos sin electrolitos (como glicina al 1,5% o sorbitol al 3,0%) y con medios isotónicos con elec-

trolitos (como solución salina al 0,9% y solución Ringer lactato).

El sistema funciona con una medida absolutamente sin contacto de la presión del medio de irrigación. La medida de la presión sin contacto se obtiene por la integración de una cámara de presión en el sistema de tubos. La cámara de presión transmite la presión del fluido de irrigación al sistema electrónico del aparato a través de un sensor de presión. El regulador de presión compara de forma continua la presión intrauterina nominal prefijada con la presión intrauterina real. El cometido de este algoritmo consiste en mantener la presión nominal intrauterina. Si la presión nominal intrauterina no se alcanza, compruebe que el sistema no tenga fugas.

Medida y regulación de la presión

4 Primer montaje del sistema

Compruebe siempre todas las partes del sistema y sus accesorios antes de montar el sistema por primera vez. Cuando el sistema muestre defectos obvios, póngase en contacto con el servicio de atención al cliente de Hologic (capítulo 13, Información sobre la garantía).

Coloque el sistema sobre una superficie plana y en un entorno seco. La temperatura ambiente y la humedad del aire deben coincidir con los datos que figuran en el capítulo 10, Datos técnicos.

PELIGRO

El sistema se debe instalar de modo que sea posible extraer fácilmente el cable de alimentación de red.

Primer montaje del sistema



ES

Conexión a la toma de corriente



4.1 Preparación del sistema

ATENCIÓN

Compruebe que la tensión de red disponible se corresponda con la tensión señalada en la placa identificativa situada en la parte trasera del sistema. Una tensión de red incorrecta puede provocar fallos de funcionamiento y estropear el sistema.

Asegúrese de que los datos de conexión al suministro de electricidad cumplan las disposiciones nacionales. El cable de alimentación de red sólo podrá conectarse a una toma de corriente con puesta a tierra instalada debidamente (véase DIN VDE 0107). Consulte la tensión de servicio del sistema indicada en la placa identificativa que se encuentra en la parte trasera de la bomba.

Contacto de puesta a tierra

La conexión a la red eléctrica deberá disponer de un contacto de puesta a tierra. Conecte el cable de red Aquilex entre la toma de corriente con puesta a tierra y el conector IEC trasero del aparato.

Sólo para usuarios de EE.UU.

Utilice solamente líneas de conexión a la red desmontables, de tipo SJT, mínimo 18 AWG, de 3 alambres y que tengan la homologación UL. Los contactos de enchufe deberán cumplir las normas NEMA 5-15 y/o IEC 320/CEE22. La conexión del conductor de protección solamente quedará garantizada, si el sistema está conectado a una toma de corriente de hospital (Hospital Grade) instalada de forma reglamentaria.

Compensación de potencial

El sistema deberá integrarse en el sistema de compensación de potencial, conforme a la normativa local vigente sobre seguridad.

Medidas de precaución

Los aparatos médicos eléctricos están sujetos a unas medidas especiales de seguridad y protección relativas a la compatibilidad electromagnética CEM (en lo sucesivo CEM).

Sólo está permitido usar el presente sistema para el fin que se describe en su manual. Durante la colocación y puesta en funcionamiento del aparato deben respetarse sin falta las advertencias relativas a la CEM.

4.2 Montaje del sistema

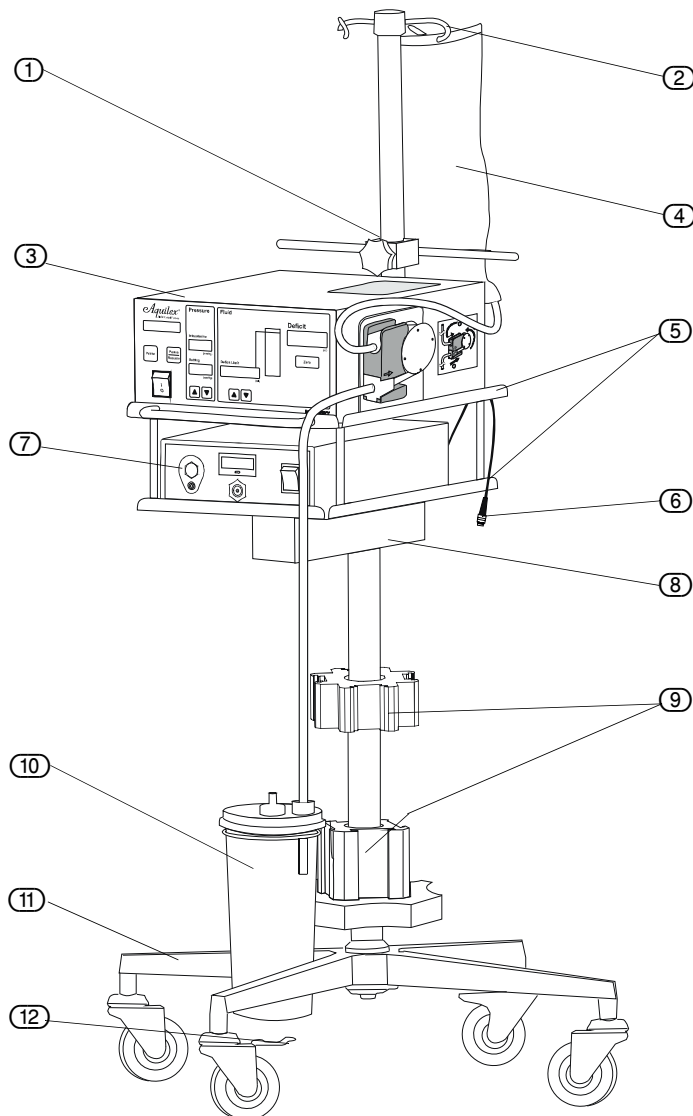


Fig. 4-1 Montaje del Aquilex Fluid Control System

- ① Soporte
- ② Soporte de bolsa
- ③ Bomba
- ④ Bolsas de líquido
- ⑤ Placas portadoras
- ⑥ Cable de la balanza
- ⑦ Unidad de control MyoSure®
- ⑧ Balanza
- ⑨ Soportes para recipientes
- ⑩ Recipiente
- ⑪ Pie con ruedas
- ⑫ Freno de fijación

ES

Para el envío, el Aquilex Fluid Control System se reparte en dos cajas:

La caja 1 contiene:

- Bomba
- Manual de instrucciones
- Cable de alimentación de red
- Juego de tubos de vacío Aquilex (vacío reducido y elevado)
- Cable de alimentación de red para la unidad de control MyoSure®

La caja 2 contiene:

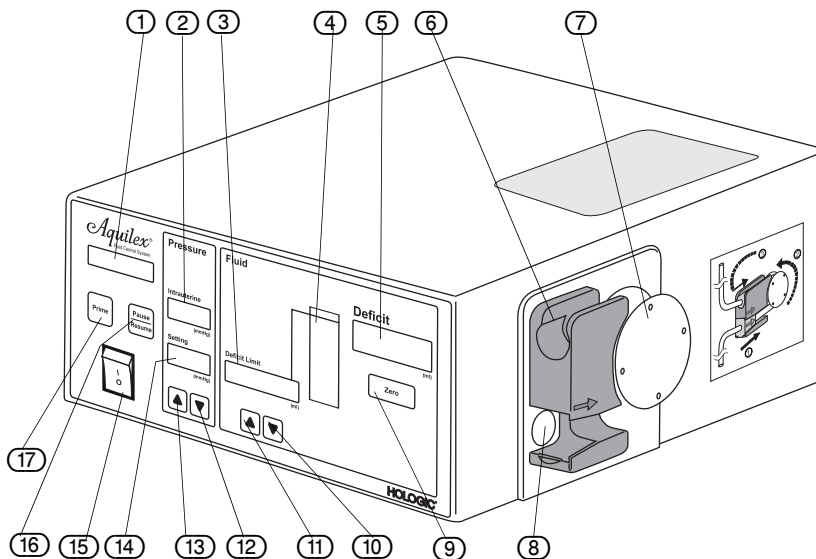
- Soporte con balanza
- Anillos para el recipiente

5 Manejo del sistema

5.1 Parte delantera de la bomba

Fig. 5-1 Parte delantera de la bomba

- ① Visor de la bomba
- ② Visor de la presión intrauterina real
- ③ Indicador del límite del déficit de líquido
- ④ Medidor del déficit
- ⑤ Indicador de déficit
- ⑥ Soporte para el tubo de entrada
- ⑦ Rueda de rodillos
- ⑧ Sensor de presión
- ⑨ Tecla de reseteo del déficit (Zero)
- ⑩ Disminución del límite del déficit
- ⑪ Aumento del límite del déficit
- ⑫ Control para disminuir la presión nominal intrauterina
- ⑬ Control para aumentar la presión nominal intrauterina
- ⑭ Visor de la presión intrauterina nominal
- ⑮ Interruptor ON/OFF (encendido/apagado)
- ⑯ Tecla Pause/Resume (pausa/reanudación)
- ⑰ Tecla Prime

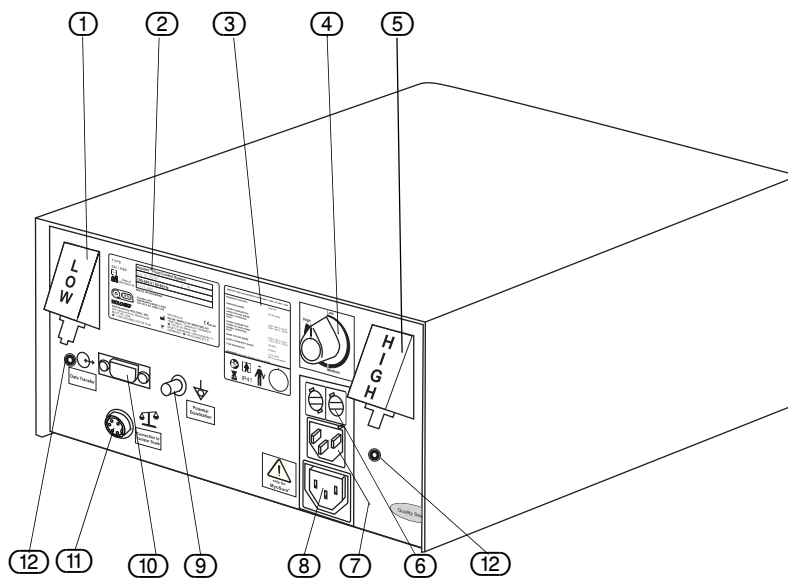


Familiarícese con la disposición de los elementos de la parte frontal de la bomba.

5.2 Parte trasera de la bomba

Fig. 5-2 Parte trasera de la bomba

- ① Conexión para vacío reducido (blanca)
- ② Etiqueta del producto
- ③ Datos de potencia del aparato
- ④ Regulador de ajuste para vacío elevado
- ⑤ Conexión para vacío elevado (verde)
- ⑥ Portafusibles
- ⑦ Conexión para el cable de alimentación de red
- ⑧ Conexión para la unidad de control MyoSure®
- ⑨ Conexión para compensación de potencial
- ⑩ Interfaz para mantenimiento
- ⑪ Conexión para la balanza
- ⑫ Orificios de aspiración



Familiarícese con la disposición de los elementos de la parte trasera de la bomba.

ATENCIÓN

Los aparatos periféricos a conectar a las interfaces del aparato deben cumplir la norma EN 60950.



5.3 Soporte con balanza

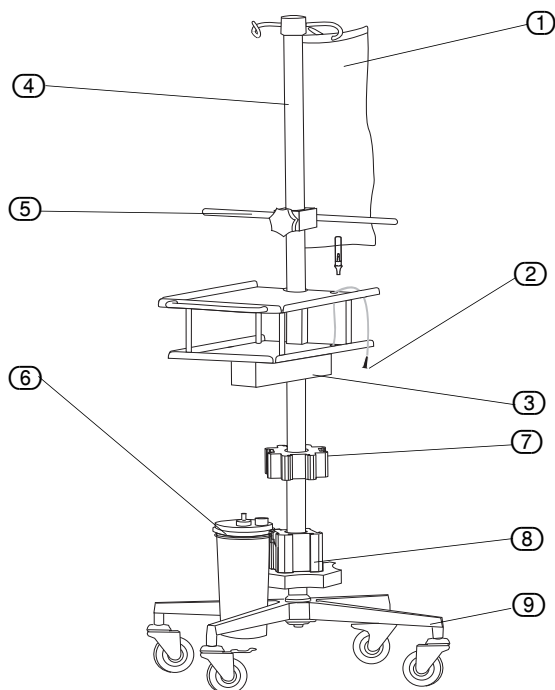


Fig. 5-3 Soporte con balanza

- ① Bolsas de líquido
- ② Cable de la balanza
- ③ Balanza
- ④ Barra con soporte de bolsas
- ⑤ Tensor de bolsas
- ⑥ Recipiente
- ⑦ Soporte para recipientes superiores (Serres, Medela, Baxter, Baxter flex)
- ⑧ Soporte para recipientes inferiores (Abbott, Bemis, Medi-Vac, DeRoyal)
- ⑨ Pie con ruedas

ES

El soporte con balanza consta de una unidad de pesaje para el recipiente, una barra con gancho para la bolsa con el líquido de irrigación y un pie con ruedas.

1. Saque de la caja de embalaje el soporte con balanza.
2. Despliegue la barra hasta su posición definitiva.
3. Extienda el tensor de bolsas.
4. Saque de la primera caja la bomba y los cables de alimentación de red.
5. Dependiendo del tipo de recipiente utilizado, introduzca los anillos para recipientes (incluidos en la segunda caja de embalaje) en el soporte superior (7) o inferior (8) para recipientes.
6. Enchufe el cable de alimentación de red por un lado en la conexión (7) Fig. 5-2, Parte trasera de la bomba) situada en la parte trasera de la bomba y por otro en una toma de corriente con puesta a tierra.
7. Conecte la balanza a la bomba enchufando el cable de la balanza (2) Fig. 5-3, Soporte con balanza) en la conexión para la balanza (11) Fig. 5-2, Parte trasera de la bomba).
8. Enchufe el cable de alimentación suministrado de la unidad de control MyoSure® en la conexión (8) Fig. 5-2, Parte trasera de la bomba) situada en la parte trasera de la bomba a fin de conectar la bomba con la unidad de control MyoSure®.

PELIGRO

Error de la balanza

Asegúrese de que ningún componente toque la unidad de pesaje durante la puesta en marcha del sistema. De lo contrario podrían producirse valores de déficit inexactos.



PELIGRO

Déficit de líquido

Es necesario observar la cantidad de líquido que queda en la paciente. El déficit es la cantidad total de líquido que queda en la paciente o que se ha perdido de otro modo. Debe tenerse en cuenta la tolerancia de medida del sistema (véase el capítulo 10, Datos técnicos). La estimación de la cantidad de líquido que queda



en la paciente se deja a la valoración y la responsabilidad del médico.



PELIGRO

Concentración de sodio en el suero sanguíneo

La concentración de sodio en la sangre de la paciente debe vigilarse para evitar un desequilibrio electrolítico. La supervisión de la concentración de sodio en sangre le compete al médico, no se realiza a través del sistema ni la contempla el sistema.

Balance exacto

Para obtener un balance lo más exacto posible, intente recoger todo el líquido que fluya de la cavidad uterina durante la intervención quirúrgica.

Capacidad de la balanza

El límite de pesada de la balanza es de casi 30 kg (65 lbs). Los pesos superiores activan el mensaje **Scale Overloaded/Check Scale** (balanza sobrecargada/comprobar balanza). Además, suenan tres señales acústicas de aviso (véase el capítulo 9, Mensajes de error y de advertencia).

ES



ATENCIÓN

Vigile que los recipientes estén colgados sin obstáculos, sin apoyarse ni entrar en contacto con otros objetos. En caso contrario, no se puede calcular correctamente el déficit.

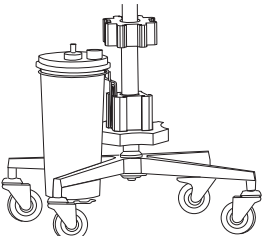
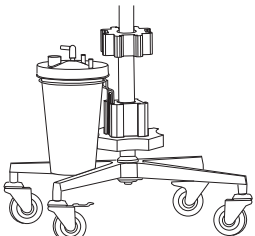
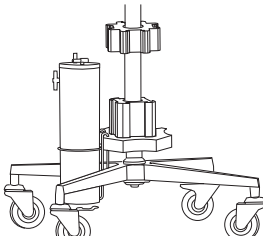
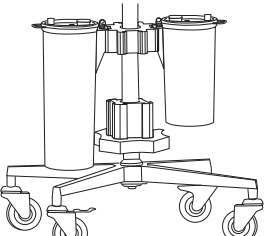


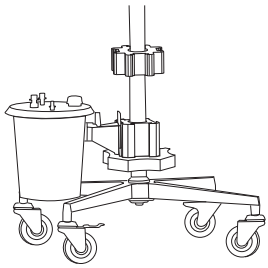
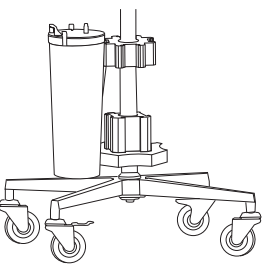
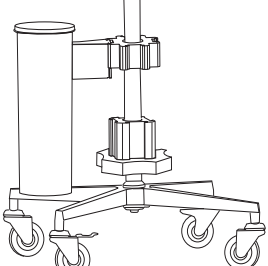
ADVERTENCIA

Conecte la balanza a la bomba antes de encender el sistema, para garantizar que el sistema reconozca a la balanza.

5.3.1 Configuración de la balanza

La balanza se puede utilizar con recipientes de diferentes fabricantes.

Bemis® de 3 litros		DeRoyal®	
Abbott de 2 litros		Serres de 2 y 3 litros	

Medi-Vac® de 3 litros		Medela de 3 litros	
Medi-Vac Flex Advantage de 3.000 cc			

ES

ADVERTENCIA

Compruebe que el recipiente se encuentre colgado correctamente en su soporte correspondiente.



ADVERTENCIA

Utilice exclusivamente recipientes con protección contra rebose.



5.3.2 Conexión del tubo de vacío

ATENCIÓN

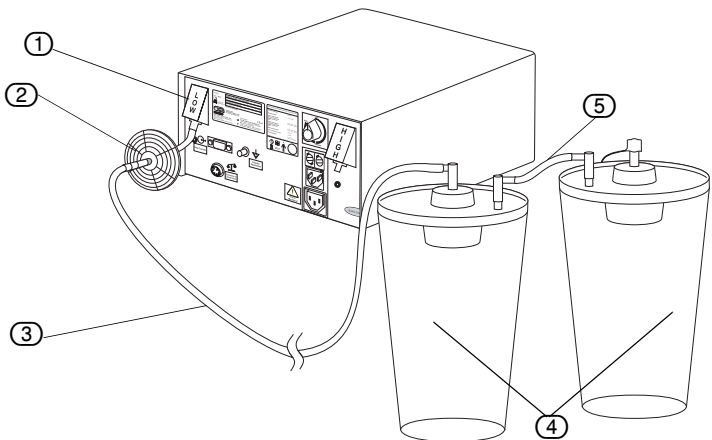
Quando el sistema Aquilex se utiliza con MyoSure® u otro sistema morcelador, la combinación entre una baja presión nominal y una elevada presión de vacío puede dar lugar a una pérdida significativa de presión de distensión intrauterina, lo que puede reducir la visión en el campo operatorio. Y a la inversa, cuando se emplean presiones de distensión elevadas, la desconexión del sistema MyoSure® o de otro sistema morcelador puede provocar presiones pico de más de 150 mmHg. Estas situaciones pueden producirse brevemente cuando el sistema ajusta automáticamente el caudal para volver a la presión nominal intrauterina ajustada.



1. Conecte del tubo de vacío con el filtro higiénico al recipiente de aspiración. Esta operación solo es necesario realizarla una vez cuando se monta el sistema por primera vez, y no antes de cada intervención.
 - Conexión para vacío reducido (blanca)
 - Conecte el tubo de vacío con la clavija blanca a la conexión para vacío reducido (blanca) (1) Fig. 5-4. Aquí la bomba de vacío genera una presión negativa fija (~ 225 mmHg).
 - Utilice el tubo de interconexión (5) Fig. 5-4), cuando vaya a utilizar dos recipientes en serie en la misma conexión de vacío.

Fig. 5-4 Tubo para vacío reducido

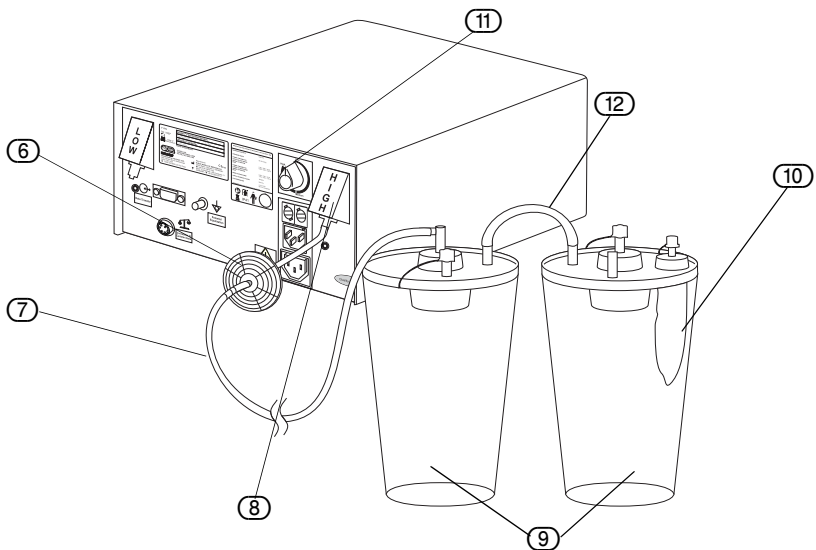
- ① Conexión para vacío reducido (blanca)
- ② Filtro higiénico
- ③ Tubo de vacío
- ④ Recipiente
- ⑤ Tubo de interconexión



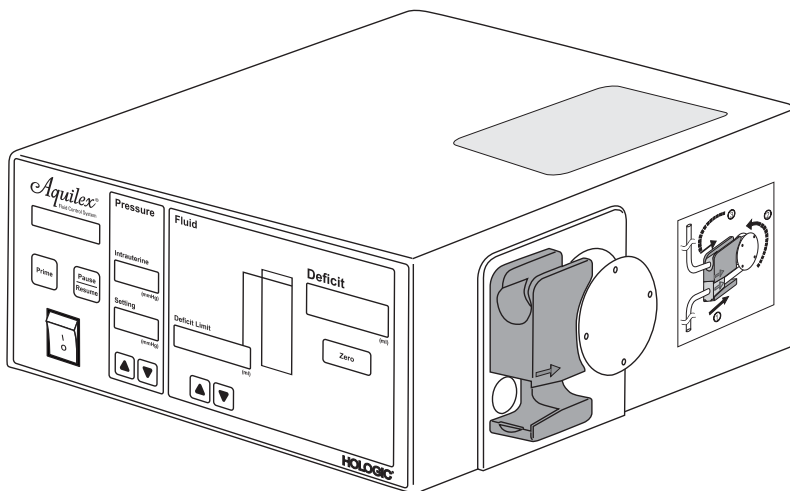
- Conexión para vacío elevado (verde)
- Conecte el tubo de vacío con la clavija verde a la conexión para vacío elevado (verde) (8) en la Fig. 5-5. En ella se puede ajustar el vacío con el regulador de ajuste hasta un máximo de 500 mmHg.
- Utilice el tubo de interconexión (12) Fig. 5-5, cuando vaya a utilizar dos recipientes en serie en la misma conexión de vacío.

Fig. 5-5 Tubo para vacío elevado

- ⑥ Filtro higiénico
- ⑦ Tubo de vacío (clavija verde)
- ⑧ Conexión para vacío elevado (verde)
- ⑨ Recipiente
- ⑩ Colector para biopsia (para intervenciones con MyoSure®)
- ⑪ Regulador de ajuste
- ⑫ Tubo de interconexión



5.4 Encendido del sistema Aquilex



1. Presione el interruptor ON/OFF. Los indicadores se iluminan y el sistema se enciende.
2. El sistema realiza un autotest.
3. Si al encender la bomba hay un juego de tubos colocado en el soporte para el tubo de entrada, aparece en el **indicador de la bomba** (Fig. 5-2, Parte delantera de la bomba ①) el aviso **Remove Tube Set** (retirar el juego de tubos). El autotest proseguirá, siempre y cuando se haya retirado el juego de tubos de la rueda de rodillos.

Si el autotest del sistema no se puede concluir satisfactoriamente, aparecerán los consiguientes mensajes de error (véase el capítulo 9, Mensajes de error y de advertencia, Seite 35).

Cuando el autotest del sistema concluye satisfactoriamente, suena una señal acústica. Se mostrará durante 5 segundos el mensaje **System OK** (sistema OK) y después aparecerá el mensaje **Insert Tube Set** (introducir el juego de tubos).

PELIGRO

Si sospecha de la existencia de un fallo en el sistema o si encuentra un fallo durante el control del funcionamiento, quedará totalmente prohibido utilizar el sistema. Esto también es válido en caso de que existan defectos y daños evidentes, especialmente en el enchufe de alimentación de red y en el cable de red.



ES

5.5 Colgado de las bolsas de líquido

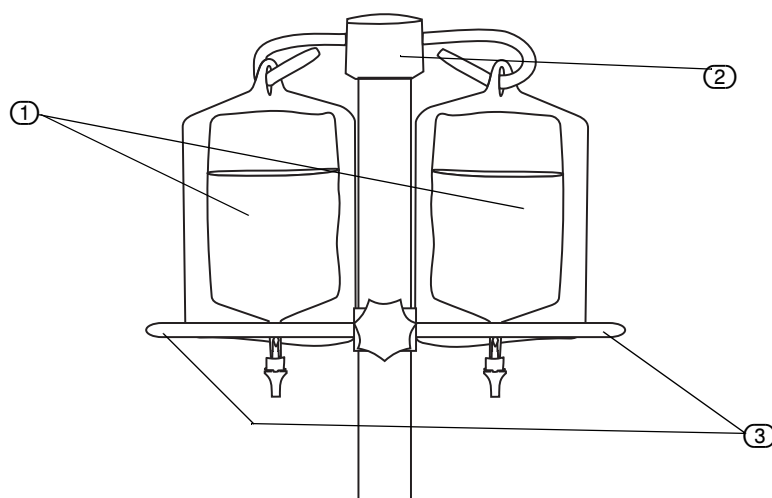


Fig. 5-6 Colgado las bolsas de líquido

- ① Bolsas de líquido
- ② Barra con soporte de bolsas
- ③ Tensor de bolsas

PELIGRO

Cuando se utilizan aparatos de electrocirugía histeroscópicas monopolares, el líquido utilizado debe ser no conductor. Líquidos no conductores son p. ej. la glicina, el sorbitol y el manitol. Los líquidos de irrigación formados por solución salina isotónica sólo deben utilizarse cuando se realizan resecciones bipolares electroquirúrgicas.



Cuelge una o dos bolsas de líquido rellenas con el líquido correspondiente para la intervención planificada (para una intervención con MyoSure® se requiere una o dos bolsas con 3000 ml de solución salina).

PELIGRO

El sistema solamente es adecuado para utilizar recipientes de líquido flexibles. Existe peligro de rotura al utilizar recipientes de vidrio. Cuando se utilizan recipientes rígidos, el líquido puede que no fluya suficientemente rápido, ya que en el recipiente se forma vacío. El uso de recipientes rígidos entraña el riesgo de una



rotura hacia dentro.

Reconocimiento del juego de tubos

5.6 Uso de juegos de tubos

El Aquilex Fluid Control System está concebido para utilizarse con juegos de tubos de entrada y salida de un solo uso.

Cada juego de tubos de entrada viene equipado con un transpondedor para el reconocimiento del juego de tubos. El transpondedor RFID contiene datos sobre el tipo de tubo, su estado de uso y su admisibilidad. El indicador de la bomba muestra dicha información. De esta forma se evita la reutilización por descuido de un juego de tubos en más de una paciente (véase el capítulo 5.7, Resumen de los tubos).

PELIGRO

Reacondicionamiento de productos estériles desechables

La reutilización de tubos de entrada o salida implica un peligro de infección para la paciente y/o el usuario, así como el riesgo de afectar al funcionamiento del producto. La contaminación y/o la limitación de funcionamiento del sistema pueden provocar lesiones, enfermedades e incluso la muerte. Los juegos de tubos de entrada y salida de un solo uso no deben reacondicionarse.

ADVERTENCIA

Respete la normativa sobre higiene cuando deseché los tubos, el líquido recogido y los recipientes.

5.7 Resumen de los tubos

Para poner en funcionamiento el sistema se requieren tres juegos de tubos diferentes. En la tabla siguiente se muestran todos los tipos de juegos de tubos y su aplicación.

N.º de referencia	Descripción
AQL-110	Juego de tubos de entrada del Aquilex Fluid Control System
AQL-111	Juego de tubos de salida del Aquilex Fluid Control System
AQL-112	Juego de tubos completo (entrada y salida), de un solo uso, estéril
AQL-114	Juego de tubos de Aquilex Fluid Control System para vacío reducido y elevado: reutilizable, no estéril

Tabla 5-1

5.8 Conexión del juego de tubos de salida

ATENCIÓN

Cuando el sistema Aquilex se utiliza con MyoSure® u otro sistema morcelador, la combinación entre una baja presión nominal y una elevada presión de vacío puede dar lugar a una pérdida significativa de presión de distensión intrauterina, lo que puede reducir la visión en el campo operatorio. Y a la inversa, cuando se emplean presiones de distensión elevadas, la desconexión del sistema MyoSure® o de otro sistema morcelador puede provocar presiones pico de más de 150 mmHg. Estas situaciones pueden producirse brevemente cuando el sistema ajusta automáticamente el caudal para volver a la presión nominal intrauterina ajustada.

ES



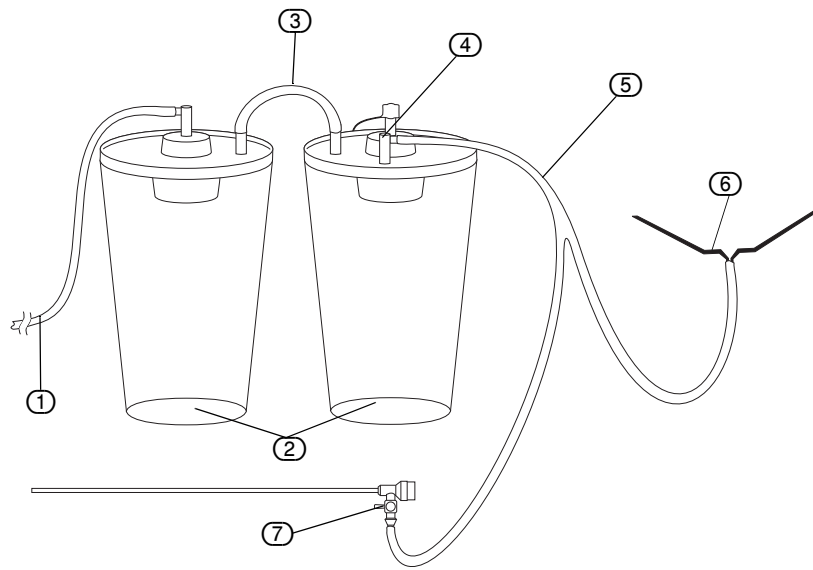
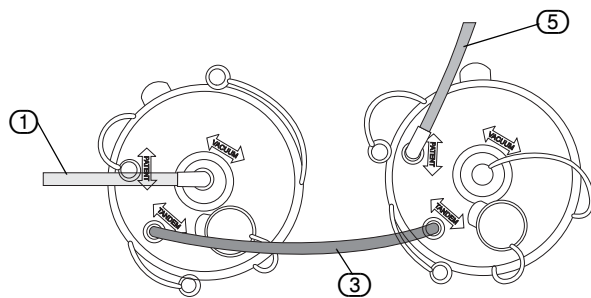


Fig. 5-7 Juego de tubos de salida

- ① A la conexión de vacío reducido (blanco)
- ② Recipientes
- ③ Tubo de interconexión
- ④ Conexión a la paciente
- ⑤ Juego de tubos de salida
- ⑥ Paño de campo quirúrgico
- ⑦ Conducto de salida desmontable (MyoSure®) o llave de flujo de salida del histeroscopio



En la configuración con vacío reducido de la Fig. 5-4 el juego de salida (tubo en Y) se acopla a la conexión de la paciente (4) del segundo recipiente. La conexión flexible amarilla se asegura al paño de campo quirúrgico (6). La conexión Luer se conecta a la llave de cierre (7) del conducto de salida desmontable (MyoSure®) o a la llave de salida del histeroscopio.

5.8.1 Conexión de salida MyoSure®

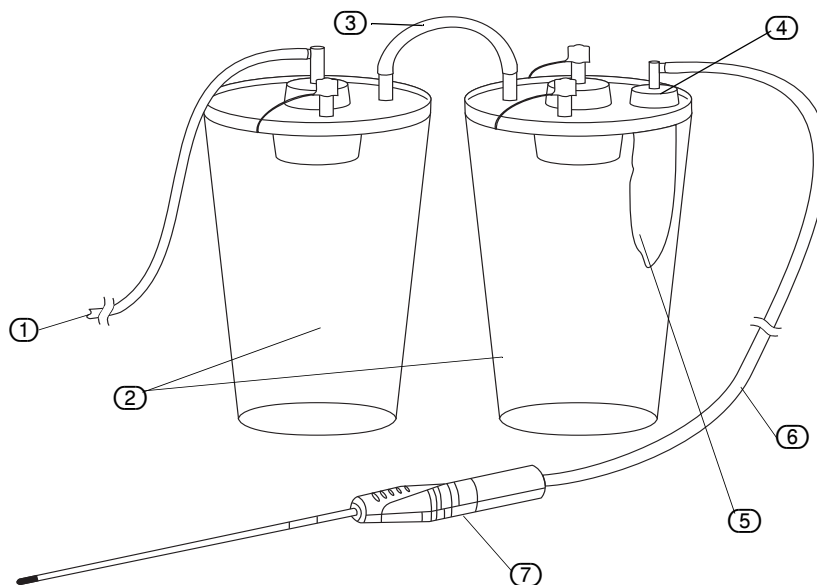
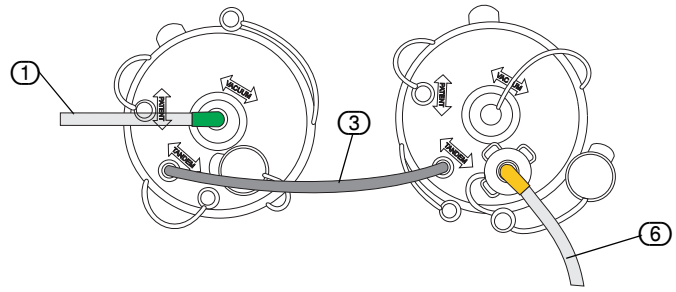


Fig. 5-8 Conexión para MyoSure®

- ① A la conexión de vacío elevado (verde)
- ② Recipientes
- ③ Tubo de interconexión
- ④ Conexión para biopsias
- ⑤ Colector para biopsia
- ⑥ Tubo de vacío MyoSure®
- ⑦ Dispositivo de resección tisular (TRD) MyoSure®

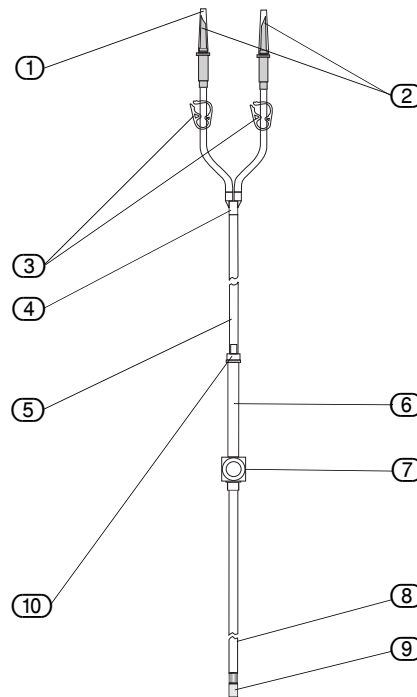


Si se detecta tejido patológico en el útero, el dispositivo MyoSure® TRD se puede conectar al sistema Aquilex como se muestra en la Fig. 5-8. El tubo de vacío del MyoSure® (6) se conecta entonces al colector para biopsia (5) del segundo recipiente.

5.9 Disposición del juego de tubos de entrada

Fig. 5-9 Componentes del juego de tubos

- ① Capuchones de protección
- ② Mandriles de unión para las bolsas de líquido
- ③ Pinzas de tubo
- ④ Pieza en Y
- ⑤ Tramo de entrada
- ⑥ Tramo de rueda de rodillos
- ⑦ Cámara de presión con membrana y transpondedor RFID
- ⑧ Tramo de histeroscopia
- ⑨ Conexión Luer Lock (azul)
- ⑩ Conexión a la rueda de rodillos



(Véase Fig. 5-9, Componentes del juego de tubos) El juego de tubos de entrada consta de 3 tramos de tubo, un conector en Y (4) y 2 mandriles de unión para las bolsas de líquido (2). Los tres tramos de tubo son: el tramo de la rueda de rodillos (6), el tramo de entrada (5) y el tramo del histeroscopia (8). Los mandriles de unión para las bolsas de líquido (2) sirven para acoplar los tramos de tubo a las bolsas de líquido.

La conexión Luer Lock (9) une el tubo del histeroscopia con el histeroscopia.

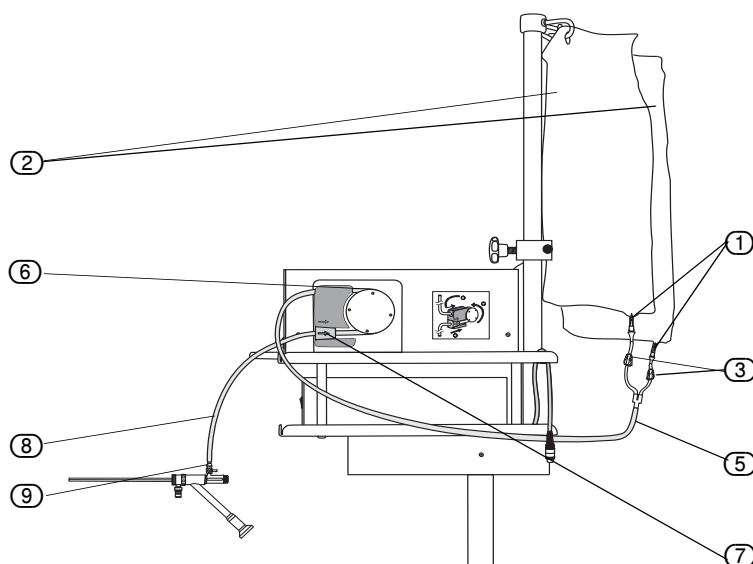


Fig. 5-10 Disposición del juego de tubos

- ① Mandriles de unión para las bolsas de líquido
- ② Bolsas de líquido
- ③ Pinzas para las bolsas
- ⑤ Tubo de entrada
- ⑥ Tubo de la rueda de rodillos
- ⑦ Cámara de presión con membrana y transpondedor RFID
- ⑧ Tubo del histeroscopio
- ⑨ Conexión Luer Lock (azul)

ES

1. Juego de tubos de entrada - A realizar por personal no estéril

- ▶ Abra la caja de embalaje del juego de tubos de entrada.
- ▶ El envase interior del juego de tubos lo extrae y lo abre personal estéril.

2 A realizar por personal estéril:

- ▶ Mantenga la conexión Luer-Lock azul (9) en el campo estéril y alcance el extremo del tubo con los mandriles de unión para las bolsas de líquido (1) al personal no estéril.
- ▶ Acople el conector Luer-Lock azul (9) a la llave de cierre de la entrada al histeroscopio. Abra la llave de cierre.

3 A realizar por personal no estéril:

- ▶ Compruebe si el sistema está encendido.
- ▶ Cierre las pinzas (3) de los tubos de entrada situadas debajo de los mandriles de unión para las bolsas de líquido (1).
- ▶ Coloque el juego de tubos de entrada en el soporte para el tubo de entrada. La colocación del tubo de la rueda de rodillos se ilustra en la Fig. 5-11.
- ▶ Empuje con cuidado la cámara de presión (7) en la ranura inferior del soporte del tubo de entrada (12) hasta notar una resistencia. Oriente la cámara de presión y el soporte del tubo de entrada según las flechas (véase la Fig. 5-11).
- ▶ Al colocar el tubo de la rueda de rodillos, evite dañar la membrana de la cámara de presión. La cámara de presión (7) sólo puede colocarse si está despresurizada.
- ▶ Coloque el tubo de rodillo (6) alrededor de la rueda de rodillos (11).
- ▶ Para conectar el tubo a las bolsas con el líquido de irrigación o para desconectarlo, sujete siempre los mandriles por el asidero previsto. La inserción de los mandriles de unión en las bolsas de líquido de irrigación debe realizarse siempre en condiciones estériles. El cirujano debe haber elegido un líquido adecuado para la intervención planificada.

Apertura de la caja de embalaje

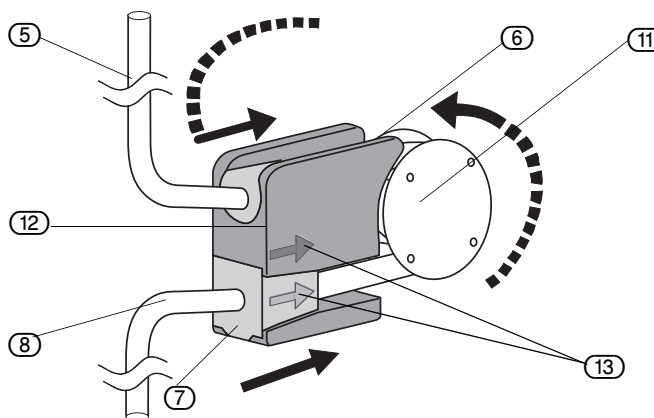
Conexión al histeroscopio

Introducir el juego de tubos

Conexión de las bolsas de líquido

Fig. 5-11 Colocación del tubo de la rueda de rodillos

- ⑤ Tubo de entrada
- ⑥ Tubo de la rueda de rodillos
- ⑦ Cámara de presión
- ⑧ Tubo del histeroscopio
- ⑪ Rueda de rodillos
- ⑫ Soporte para el tubo de entrada
- ⑬ Flechas de orientación



ES

Ajuste de la presión intrauterina nominal

5.10 Preselección de la presión intrauterina nominal

El ajuste de la presión intrauterina nominal se puede regular cuando el sistema está en funcionamiento. Utilice para ello las teclas ▲ y ▼ (Fig. 5-2, Parte delantera de la bomba). El ajuste de la presión puede realizarse entre de 40 y 150 mmHg en intervalos de 5 mmHg. La presión intrauterina real se muestra en el indicador de la presión intrauterina real (2).

Umbral de seguridad

Cuando al desplazarse con la tecla ▲ (véase Fig. 5-2, Parte delantera de la bomba) se alcanza el umbral de seguridad de 100 mmHg, suena una señal acústica de aviso. Deje de pulsar la tecla ▲ durante un segundo más o menos y continúe después desplazándose para fijar un valor más elevado (de hasta 150 mmHg como máximo).



ATENCIÓN

Si el valor de la presión actual no se altera cuando se aumenta el valor del caudal, puede deberse también a una perforación de la cavidad uterina. Existe el peligro de que ocurra una intravasación. Examine la existencia de zonas dañadas en la cavidad uterina.

Ajuste del límite del déficit

5.11 Ajuste del límite del déficit

El ajuste del límite del déficit se puede regular cuando el sistema está en funcionamiento. Utilice para ello las teclas ▲ y ▼ (véase Fig. 5-2). El límite del déficit se puede establecer entre 600 y 2500 ml a intervalos de 100 ml. El límite del déficit se muestra en el indicador del límite del déficit (3). El medidor del déficit sirve para ayudar al usuario a vigilar la cantidad de déficit existente. El color del medidor del déficit cambia cuando el valor del déficit se aproxima al límite. El límite del déficit ajustado por el usuario se encuentra arriba en el medidor del déficit marcado con un LED rojo. Si durante el funcionamiento el déficit real aumenta, se ilumina el LED y muestra la cantidad deficitaria real hasta que se alcance el límite del déficit (véase el apartado de **Límite de déficit** del capítulo 6, Funciones de seguridad).

5.12 Utilización de la bomba durante una intervención quirúrgica

- ▶ Abra las pinzas de las bolsas de líquido (3) Fig. 5-10).
- ▶ Abra completamente la llave de cierre del flujo de entrada al histeroscopio.
- ▶ Pulse la tecla **Prime** (preparación) (17) Fig. 5-2).
- ▶ La bomba se acciona durante unos 20 segundos para bombear el aire ocluido fuera de los tubos y realizar la calibración automática del lumen.
- ▶ En el indicador de la bomba aparece **Calibration Running** (calibración en curso).

Calibración automática del lumen

La bomba está equipada con una función para calibrar automáticamente el lumen. El sistema determina la resistencia al flujo del histeroscopio. Esta resisten-

cia se utiliza para calcular la presión de la bomba necesaria para mantener la presión intrauterina nominal. Para vencer esta resistencia, la bomba permite una presión de hasta 80 mmHg durante la calibración. Esto se mostrará en el visor de la presión intrauterina real. Cuando la calibración falla debido a una resistencia elevada, se repetirá con una presión permitida de hasta 150 mmHg. Si la calibración aún no se puede concluir, la bomba muestra **Prime Fail -Open Stopcock, Clamps** (preparación defectuosa; abrir la llave de cierre y pinzas).

La calibración automática del lumen da comienzo en cuanto se pulsa la tecla **Prime** (preparación).

- ▶ Cuando concluye la calibración automática del lumen, suenan tres señales acústicas. A su vez, en el indicador de la bomba aparece durante 5 segundos **Prime Successful Close Stopcock** (preparación satisfactoria, cerrar llave) y después **System Operating** (sistema en funcionamiento).
- ▶ Cierre completamente la llave de cierre de entrada de líquido del histeroscopio para interrumpir la entrada. Una vez que haya retirado todo el líquido del paño del campo quirúrgico, ponga a cero el indicador del déficit.

ADVERTENCIA

La bomba continua funcionando después de concluir la calibración automática del lumen. Detenga la bomba cerrando la llave de cierre del flujo de entrada al histeroscopio.



ADVERTENCIA

Cuando durante una intervención se utilice otro histeroscopio deberá activarse nuevamente la calibración automática del lumen pulsando la tecla "Prime" (preparación).



- ▶ Abra la llave de cierre e introduzca el histeroscopio en el útero con el líquido fluyendo del mismo.
- ▶ En caso necesario, regule el valor de la presión intrauterina nominal para alcanzar una dilatación y un campo de visión convenientes.
- ▶ Cuando haya terminado de utilizar el sistema, cierre la llave de cierre del flujo de entrada al histeroscopio.
- ▶ Espere hasta que toda la cantidad de líquido del paño del campo quirúrgico y el juego de tubos se haya recogido en los dos recipientes.
- ▶ Pulse la tecla **Pause/Resume** (pausa/reanudación).
- ▶ Anote la cantidad del déficit que muestra el indicador del déficit. Esta es la cantidad total de líquido que ha incorporado la paciente.

Manejo del sistema

Finalización del manejo del sistema

PELIGRO

Fallo del sistema: Si sospecha de la existencia de un fallo en el sistema o si encuentra un fallo durante el control del funcionamiento, quedará totalmente prohibido utilizar el sistema Aquilex. Esto también es válido en caso de que existan defectos y daños evidentes, especialmente en el enchufe de alimentación de red y en el cable de red.



5.13 Cambio de recipientes durante la intervención

- ▶ Detenga la bomba pulsando la tecla **Pause/Resume** (pausa/reanudación). Con ello también se congela el valor del indicador del déficit de líquido.
- ▶ Retire los recipientes y coloque otros nuevos.
- ▶ Conecte los tubos de los recipientes.
- ▶ Pulse la tecla **Pause/Resume** para proseguir con la intervención.

Cambio de recipientes durante la intervención



ATENCIÓN

Si retira un recipiente lleno de la balanza sin haber pulsado la tecla "Pause/Resume" (pausa /reanudación), aparecerá el mensaje "Container Change, Press Resume" (Cambio de recipientes, pulsar la tecla Resume), la bomba se parará inmediatamente y el indicador del déficit quedará congelado, a fin de que el cálculo del déficit pueda continuar correctamente. Cuando haya terminado el cambio de recipientes, puede activar de nuevo la bomba pulsando la tecla "Pause/Resume" (pausa reanudación).

Volumen total mostrado

5.14 Volumen total mostrado

Si desea llevar a cabo un control manual del déficit de líquido puede hacer que se muestre toda la cantidad de líquido pulsando y manteniendo pulsadas al mismo tiempo las teclas de flecha hacia arriba y hacia abajo (**10** y **11** en la Fig. 5-2, Parte delantera de la bomba) situadas debajo del indicador del límite del déficit de líquido (**3** en la Fig. 5-2). El valor que se muestra en el indicador del déficit es la cantidad total de líquido en mililitros. Tan pronto deje de presionar una o las dos teclas, el indicador del déficit volverá a mostrar de nuevo el valor del déficit de líquido.

ES

Apagado

5.15 Apagado del sistema

Presione el interruptor de **ON/OFF** (encendido/apagado) para apagar la bomba. Se apagarán los indicadores.



PELIGRO

Con el interruptor de **ON/OFF** (encendido/apagado) no se desconecta el sistema de la red. Para ello desconecte el enchufe de red de la parte trasera del sistema.

6 Funciones de seguridad

El funcionamiento correcto del sistema se controla permanentemente mediante el sistema electrónico. Los errores del sistema se indican mediante tonos de aviso, mensajes de error y/o bloqueo de las funciones del sistema. Encontrará una lista en forma de tabla referente a los mensajes de fallo y aviso en el capítulo 9, Mensajes de error y de advertencia.

Cuando la presión intrauterina real supere durante más de 5 segundos el valor de la presión intrauterina nominal en 10 mmHg, se activa la reducción de la presión. Durante la reducción de la presión la rueda de rodillos se moverá varias veces hacia delante y atrás. Si la presión no se puede reducir, aparecerá el mensaje **Overpressure/Open Stopcock** (sobrepresión/abrir llave de cierre) y sonarán tres señales acústicas de aviso.

Si la presión intrauterina real aumenta por encima de 150 mmHg, se mostrará el mensaje **Maximum Pressure** (presión máxima) y la bomba emitirá tres señales acústicas de aviso. Se ha alcanzado la presión máxima permitida.

Si la presión intrauterina real aumenta durante más de 5 segundos por encima de 200 mmHg, la rueda de rodillos se parará y aparecerá el mensaje **Overpressure/Check Stopcock** (sobrepresión/comprobar llave de cierre). Se emitirán tres breves señales acústicas de aviso hasta que se haya reducido la presión. En cuanto que la presión intrauterina real descienda por debajo de 200 mmHg, se detendrán las señales acústicas de aviso y la rueda de rodillos volverá a girar.

Si el juego de tubos de entrada no se ha colocado bien en la rueda de rodillos, al presionar la tecla **Prime** suena una breve señal acústica de aviso y aparece el mensaje **Check Tube Set Installation** (comprobar la instalación del juego de tubos). La rueda no empieza a girar.

Si se produce un fallo en el sistema electrónico de medición de presión, aparecerá el mensaje **Sensor Error** (error del sensor) y suenan cinco breves señales acústicas de aviso. La rueda de rodillos se detiene.

Cuando se sobrepasa el peso máximo permitido de la balanza (unos 30 kg/65 lbs), suena una señal acústica de aviso continua y se muestra el mensaje **Scale Overload Check Scale** (balanza sobrecargada; comprobar balanza). En cuanto que se retira el exceso de peso de la balanza, la señal acústica de aviso se detiene y el mensaje desaparece.

Si durante el funcionamiento de la bomba se retira un recipiente de la balanza, sonarán de forma continua tres breves señales acústicas de aviso y se mostrará el mensaje **Container Change, Press Resume** (Cambio de recipientes, pulsar la tecla Resume). Las señales acústicas de aviso desaparecen cuando se reestablece el estado original o se pulsa la tecla **Pause/Resume** (pausa reanudación).

Si el último ajuste de la presión uterina nominal es superior a 80 mmHg, el ajuste volverá al valor estándar de 80 mmHg.

Tras cada incremento de la cantidad del déficit de 100 ml por encima del valor límite establecido, sonarán tres señales acústicas de aviso que se repetirán mientras que la bomba esté en marcha. Aparece el mensaje **Deficit Limit Exceeded** (sobrepasado el límite de déficit).

Cuando el aumento del déficit sea mayor de 300 ml/min, sonarán tres señales acústicas de aviso y aparecerá el mensaje **High Fluid Loss Check Leakage** (gran pérdida de líquido; comprobar si hay fugas). Si no se puede vislumbrar una causa evidente para la gran pérdida de líquido, se debe examinar a la paciente ante una posible perforación del cuello del útero o del útero.

Se oirán cinco señales acústicas breves de aviso y aparecerá el mensaje **Motor Error** (error del motor). Pueden producirse fallos durante la operación de inicio antes de que se haya activado el indicador de la bomba. En estos casos, el indicador de la bomba permanece en blanco.

Presión intrauterina real en más de 10 mmHg por encima de la presión intrauterina nominal

Presión intrauterina real > 150 mmHg

Presión intrauterina real > 200 mmHg

Comprobación de la instalación del juego de tubos

Error en el sistema de medición de la presión

Balanza sobrecargada

Cargar/descargar la balanza durante el funcionamiento

Ajuste de la presión en caso de reconexión

Límite del déficit

Aumento del déficit >300 ml/min

Fallo grave del sistema

ES

Cuidados y mantenimiento

7 Cuidados y mantenimiento

El cuidado y mantenimiento reglamentario para el sistema y los accesorios deberán ser observados sin falta, a fin de garantizar el funcionamiento seguro de los mismos. Por lo tanto, para proteger al paciente y al equipo del quirófano se deberá comprobar, antes de cada uso, si el aparato y los accesorios están completos y si funcionan correctamente.

Al realizar los trabajos de cuidados, mantenimiento y almacenamiento del sistema y sus accesorios deberá prestarse especial atención con el fin de mantener la capacidad de rendimiento del sistema y de los accesorios conectados al mismo.

7.1 Limpieza del sistema

1. Presione el interruptor de **ON/OFF (encendido/apagado)** para apagar el sistema.
2. Desconecte el cable de red.
3. Pase un paño suave humedecido con un producto de limpieza para superficies (p. ej. Meliseptol® rapid) por la superficie del sistema. La concentración del desinfectante utilizado debe coincidir con las indicaciones del fabricante de dicho producto. Impida sin falta que penetre humedad en el sistema.

ADVERTENCIA

En ningún caso deberá esterilizarse el sistema.

7.2 Mantenimiento por el servicio técnico autorizado

Se recomienda que un técnico de mantenimiento autorizado revise y realice el mantenimiento del sistema a intervalos adecuados, a fin de garantizar su seguridad y funcionamiento. Dependiendo de la frecuencia y de la duración de la utilización, dicho mantenimiento deberá efectuarse **como mínimo** cada dos años. De lo contrario el fabricante no se responsabilizará de la seguridad de funcionamiento del sistema. Una etiqueta en la parte posterior de la carcasa, le recuerda al usuario la fecha de la siguiente inspección.

Tras la inspección o reparación del sistema pida al servicio técnico que le entregue el certificado de realización del servicio. La certificación debe contener los datos siguientes:

- el tipo y el alcance de los servicios recibidos,
- la fecha de realización,
- el nombre de la empresa que ha realizado los trabajos y
- la firma del técnico.

7.3 Sustitución del fusible

ATENCIÓN

Antes de cambiar los fusibles, compruebe los valores de los nuevos fusibles según el capítulo 10, Datos técnicos.

El fusible está averiado y debe cambiarse cuando:

- indicadores y pantallas no se iluminan,
- el sistema no funciona.

Compruebe que:

- el cable de alimentación de red conecte correctamente la entrada de alimentación del sistema (Fig. 5-2) con una toma de corriente con puesta a tierra,
- el fusible de la red principal (del edificio) funcione.



Intervalo de mantenimiento cada dos años

Certificación



PELIGRO

Desenchufe el cable de conexión a la red del sistema antes de comprobar el fusible.



Para cambiar los fusibles **no** es necesario abrir el sistema.

1. Apague el sistema.
2. Desconecte el sistema de la red eléctrica.
3. El portafusible se encuentra junto al enchufe en la parte trasera de la bomba.
4. Extraiga ambos portafusibles con ayuda de un destornillador de cabeza plana pequeño como se indica en la Fig. 7-1.
5. Extraiga los portafusibles.
6. Compruebe los fusibles.
7. Coloque los nuevos fusibles. Use exclusivamente los fusibles especificados (véase el capítulo 10, Datos técnicos).
8. Empuje hacia dentro los portafusibles.
9. Restablezca el contacto entre la clavija hembra con contacto de seguridad y el enchufe trasero de la bomba mediante el cable de alimentación de red.

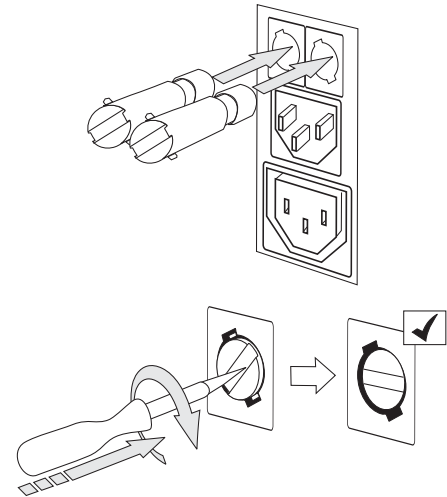


Fig. 7-1 Apertura del portafusibles

Prescripciones del fabricante

Tests durante la inspección



8 Inspección anual

El fabricante prescribe que técnicos especializados en biomedicina o personal especializado realicen de forma regular una inspección de funcionamiento y de seguridad del sistema. Estas inspecciones deben realizarse anualmente. Las inspecciones llevadas a cabo regularmente pueden contribuir a reconocer a tiempo eventuales perturbaciones o fallos y, así, a aumentar la seguridad y la vida operativa del sistema.

Los siguientes tests han sido desarrollados especialmente para personal especializado o técnicos expertos en biomedicina. Mediante los mismos se puede comprobar fácilmente el servicio, el funcionamiento y la utilidad del sistema. Todos los tests realizados deben documentarse en el Registro de tests con la fecha de realización y la firma.

PELIGRO

Si se sobrepasan los parámetros y tolerancias indicadas, el sistema deberá remitirse a Hologic para su revisión.

8.1 Test de seguridad

1. Realice un control visual. Asegúrese de que:
 - el fusible corresponda al valor indicado por el fabricante,
 - las indicaciones y etiquetas en el sistema se puedan leer claramente,
 - el estado mecánico permita el funcionamiento seguro,
 - no haya suciedad que influya en la seguridad del sistema.
2. Mida la corriente de fuga a tierra (máx. 500 μ A) y la corriente de contacto (máx. 100 μ A en estado normal y máx. 500 μ A en el primer error) según la norma IEC 60601-1 / EN 60601-1.
3. Realice la medición de la resistencia del conductor de protección según la norma IEC 60601-1 / EN 60601-1. La resistencia del conductor de protección deberá medirse con el conductor de la red conectado. El valor máximo es de 0,2 Ω .

También se puede realizar el test de seguridad según DIN EN 62353.

8.2 Test de funciones básicas

Los test de funcionamiento básico revisan los indicadores, las teclas y la capacidad de rendimiento general del sistema. Para este test requiere:

- Juegos de tubos de entrada Aquilex
- Bolsas de líquido
- Recipiente de medida con escala de 1 litro
- cronómetro
- Pesos de precisión (p. ej. Ohaus 1 kg 49016-11 o 41000-00 o equivalente)

8.3 Test de la balanza

1. Encienda el sistema.
2. Cuando aparezca la indicación **Insert Tube Set** (introducir juego de tubos), pulse simultáneamente las teclas **Pause/Resume** (pausa/reanudación) y **Zero** (cero).
3. En el indicador de la bomba aparece el mensaje **Scale Test** (test de la balanza).
4. **Deposite un peso de precisión sobre la balanza (500 g - 2.000 g)**
5. **El indicador del límite del déficit de líquido muestra el peso.**
6. Tolerancia permitida: ± 20 g.
7. Si se encuentra una desviación mayor, un técnico de mantenimiento deberá calibrar la balanza.
8. Retire el peso de la balanza.
9. Pulse la tecla **Pause/Resume** (pausa/reanudación) para finalizar este test.

Introduzca los resultados en el párrafo 15.1 del registro de test. Se habrá finaliza-

do con éxito el test cuando los resultados se encuentren dentro del límite de tolerancia permitido.

8.4 Test del caudal

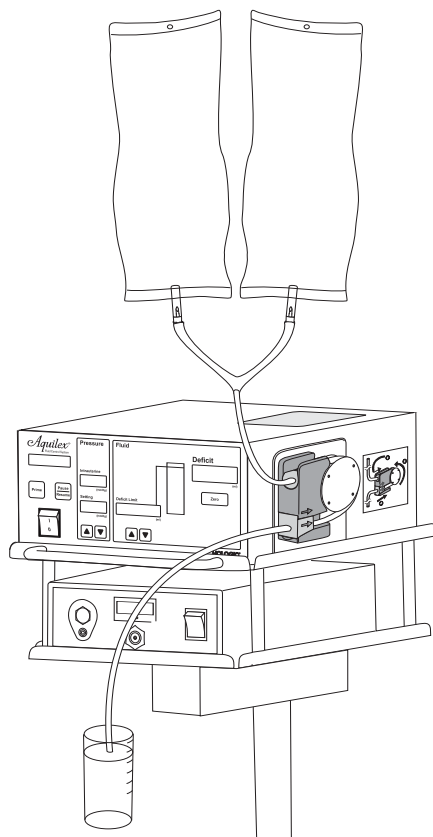


Fig. 8-1 Test del caudal

ES

La disposición de los elementos para la prueba se muestra en la Fig. 8-1, Test del caudal.

Realización del test del caudal

1. Encienda el sistema. (véase el capítulo 5.4, Encendido del sistema Aquilex).
2. Coloque el juego de tubos en la bomba y cierre las pinzas de las bolsas.
3. Cuelgue las bolsas de líquido en los ganchos del soporte de bolsas.
4. Inserte los mandriles de unión en las bolsas de líquido y abra las pinzas de las bolsas de líquido.
5. Ponga el tubo del histeroscopio en el recipiente de medida.
6. Ajuste la presión intrauterina nominal en 150 mmHg.
7. Pulse la tecla **Prime** (preparación).
8. La rueda de rodillos comienza a girar para eliminar el aire ocluido en los tubos y realizar la calibración automática del lumen.
9. Cuando finalice la calibración automática del lumen (en unos 20 segundos), pulsar la tecla **Pause/Resume** (pausa/reanudación).
10. Vacíe el vaso de medida.
11. Ponga de nuevo el tubo del histeroscopio en el recipiente de medida.
12. Pulse la tecla **Pause/Resume** (pausa/reanudación).
13. Al cabo de un minuto, pulse la tecla **Pause/Resume** (pausa/reanudación). Ahora en el recipiente de medida debe haber unos 800 ml de líquido.
14. El límite de tolerancia admitido es de ± 25 ml/min.

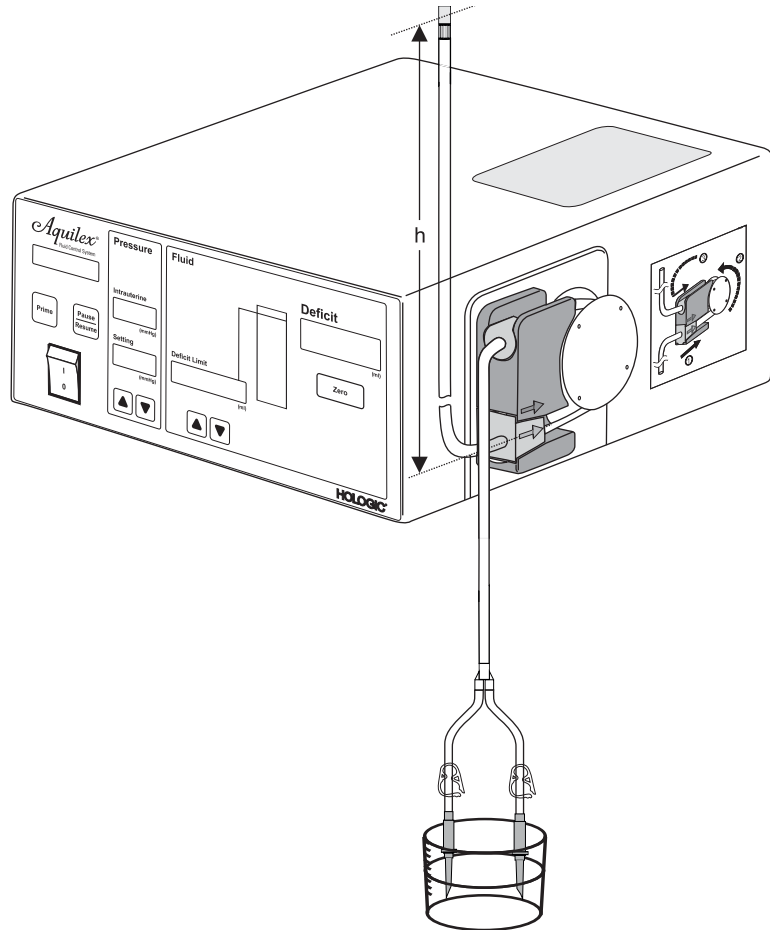
Introduzca los resultados en el párrafo 15.1 del registro de test. Se habrá finalizado con éxito el test cuando los resultados se encuentren dentro del límite de tolerancia permitido.

8.5 Test de medida de presión

La disposición de los elementos para la prueba se muestra en la Fig. 8-2.

Fig. 8-2 Disposición para el test de medida de la presión

h Altura del nivel del agua



La prueba de presión comprueba la cámara de presión, el sensor de presión y la exactitud de la medida de la presión con objeto de asegurarse de que todos los elementos funcionan correctamente. Para este test se requiere un juego de tubos de entrada y un recipiente lleno de **agua**. La altura de la columna de agua (presión hidrostática) se utiliza para comprobar el sensor de presión.

1. Introduzca el extremo del tubo de entrada con los mandriles de unión para las bolsas de líquido en un recipiente lleno de agua.
2. Ponga en marcha la bomba con la tecla **Prime** (preparación) para llenar por completo el extremo del tubo con agua. Deje funcionar la bomba hasta que haya finalizado la calibración. Pulse la tecla **Pause/Resume** (pausa/reanudación) para parar la rueda de rodillos. El indicador de la presión intrauterina real muestra 0 mmHg.
3. Tapone el extremo del tubo del histeroscopio (con el dedo sobre la punta del conector Luer).
4. Mantenga el nivel de agua del final del tubo del histeroscopio (h) 30 cm por encima de la cámara de presión. La columna de agua ejerce una presión hidrostática sobre el sensor de presión.
5. Retire el dedo del extremo del tubo del histeroscopio.
6. El indicador de la presión intrauterina real debe mostrar 20 mmHg (± 5 mmHg).
7. Modifique la altura de la columna de agua. Entonces el valor del indicador de la presión intrauterina real debe modificarse de forma acorde.

Introduzca los resultados en el párrafo 15.1 del registro de test. Se habrá finalizado con éxito el test cuando los resultados se encuentren dentro del límite de tolerancia permitido.

8.6 Test de la medición del déficit de líquido

La disposición de los elementos para la prueba se muestra en la Fig. 8-3. Es muy importante que el recipiente colector se coloque **en** la balanza, tal como se muestra en la Fig. 8-3.

1. Cuando se hayan realizado los test de funcionamiento básico 8.3 hasta 8.5, continúe con el paso 2. De lo contrario, véase Test de funcionamiento básico 8.4 pasos 1 a 11.
2. Restablezca el indicador del déficit de líquido a "Null" (cero) pulsando la tecla **Zero** (cero) (véase la Fig. 5-2, ⑨).
3. Pulse la tecla **Pause/Resume** (pausa/reanudación).
4. Deje funcionar el sistema durante 1 minuto. El recipiente debe contener aproximadamente 800 ml de líquido, pero el indicador del déficit de líquido debe indicar aproximadamente 0.
5. La tolerancia admitida es de ± 50 .

Introduzca los resultados en el párrafo 15.1 del registro de test. Se habrá finalizado con éxito el test cuando los resultados se encuentren dentro del límite de tolerancia permitido.

ES

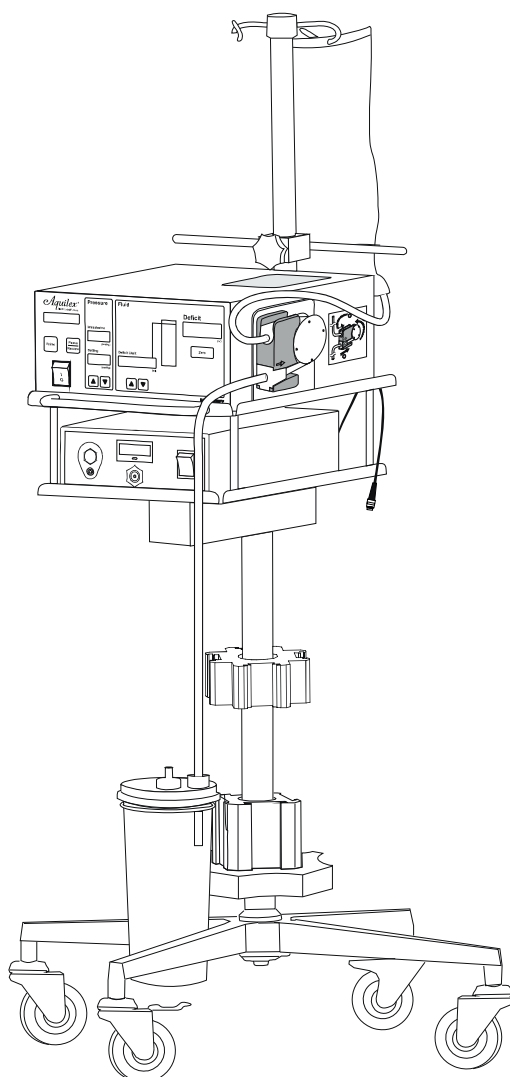


Fig. 8-3 Disposición para el test de la medición del déficit de líquido

8.7 Test de la bomba de vacío

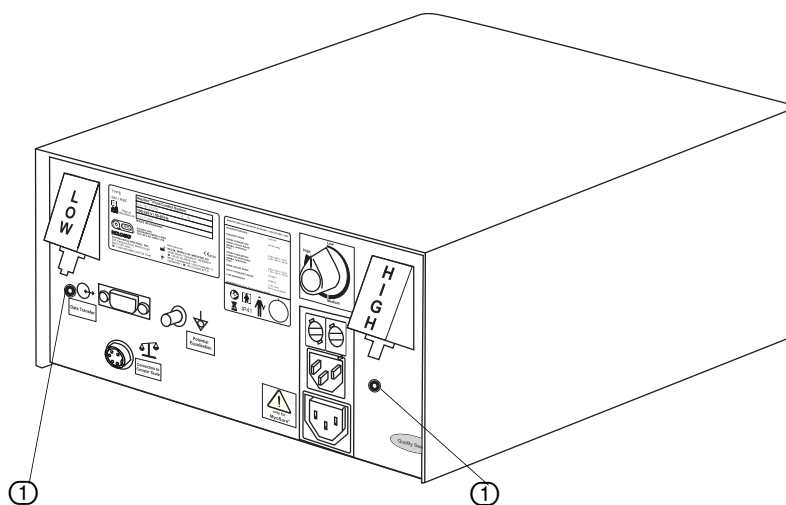
Este test no se ha diseñado como test de rendimiento para la medición de la presión negativa. El test solo muestra si la bomba de vacío es capaz de funcionar.

1. Cuando se hayan realizado los test de funcionamiento básico 8.3 hasta 8.5, continúe con el paso 2. De lo contrario, véase Test de funcionamiento básico 8.4 pasos 1 a 9.
2. Compruebe si hay al menos una conexión hacia el recipiente abierta.
3. Pulse la tecla **Pause/Resume** (pausa/reanudación).
4. Coloque un dedo sobre los orificios de aspiración dorados (Fig. 8-4, ①) situados en el lado posterior de la bomba y note el flujo de aire.

Introduzca los resultados en el párrafo 15.1 del registro de test. El test se habrá finalizado con éxito cuando pueda confirmarse la presencia de una corriente de aire.

ES

Fig. 8-4 Orificios de aspiración de la bomba de vacío



9 Mensajes de error y de advertencia

Los mensajes se muestran en el indicador de la bomba y se acompañan de señales acústicas de aviso. Las señales acústicas que alertan sobre mensajes de advertencia o manejo suenan varias veces.

Mensaje en el indicador de la bomba	Señales acústicas de aviso	Forma de proceder
Check Tube Set Installation (comprobar la instalación del juego de tubos)	1 señal acústica	Retirar el juego de tubos y colocarlo de nuevo. Cuando aparezca de nuevo el mensaje, colocar el nuevo juego de tubos.
Tube Set Over Usage Limits (juego de tubos usado)	1 señal acústica	El reconocimiento del juego de tubos indica que el juego de tubos ya se ha utilizado. Introducir nuevo juego de tubos.
Check Flow Path, Stopcock, Clamps (revisar el paso del fluido, la llave de cierre y las pinzas)	3 señales acústicas	El paso del fluido está bloqueado. Comprobar si las pinzas de las bolsas y la llave de cierre del histeroscopio se encuentran abiertas. Asegúrese de que el juego de tubos no esté bloqueado.
Incorrect Tube Set (juego de tubos incorrecto)	1 señal acústica	Cambiar el juego de tubos. El juego de tubos no coincide con el tipo autorizado para el sistema Aquilex.
Pump paused, Press Resume (detener la bomba, pulsar la tecla Resume)	1 señal acústica	La tecla Pause/Resume (pausa/reanudación) se ha activado. Pulse la tecla Pause/Resume de nuevo, para proseguir con la intervención.
Container Change, Press Resume (Cambio de recipientes, pulsar la tecla Resume)	3 señales acústicas	Retire el recipiente sin pulsar la tecla Pause (Pausa). Coloque un recipiente vacío y pulse la tecla "Pause/Resume" (Pausa/Reanudación).
Overpressure Open Stopcock (sobrepresión, abrir llave de cierre)	3 señales acústicas	Se activa casi siempre cuando la llave de cierre del histeroscopio está cerrada y la bomba trabaja con el caudal máximo. Abrir la llave de cierre del histeroscopio o retirar otro de los cierres para dejar salir la presión.
Overpressure Check Stopcock (sobrepresión, comprobar llave de cierre)	5 señales acústicas, repetición continua hasta que se reduzca la presión	La presión ha sobrepasado el umbral de seguridad de 200 mmHg y debe reducirse. El motivo más frecuente es que la llave de cierre del histeroscopio esté cerrada mientras que la bomba trabaja con el caudal máximo. Abrir la entrada al histeroscopio de la llave de cierre o eliminar el bloqueo que estrangula el juego de tubos de entrada.
Maximum Pressure (presión máxima)	Sin señal acústica	El mensaje "Maximum Pressure" (presión máxima) se muestra cuando la presión intrauterina real es mayor de 150 mmHg.
Deficit Limit Reached (límite de déficit alcanzado)	3 señales acústicas	Las medidas a tomar se dejan al criterio del médico.
Deficit Limit Exceeded (límite de déficit sobrepasado)	3 señales acústicas	Las medidas a tomar se dejan al criterio del médico. En caso de necesidad realizar el control del déficit manualmente.
Pressure Threshold (umbral de presión)	1 señal acústica	Para la histeroscopia normalmente no se requieren presiones por encima de 100 mmHg. Se recomienda supervisar cuidadosamente el déficit de líquido.
Connect Scale Restart System (conectar la balanza, reiniciar el sistema)	3 señales acústicas	Revisar la conexión de la balanza. Volver a conectar la balanza y reiniciar el aparato. Si el mensaje aparece de nuevo, póngase en contacto con Hologic.

Mensajes de error y de advertencia

Mensaje en el indicador de la bomba	Señales acústicas de aviso	Forma de proceder
Remove Tube Set for System Check (retirar el juego de tubos para el test del sistema)	1 señal acústica	Ningún juego de tubos deberá estar colocado en la rueda de rodillos cuando realice el test del sistema. Retirar el juego de tubos y esperar a que suene la señal acústica y aparezca el mensaje "Insert Tube Set" (insertar el juego de tubos).
Prime Fail-Open Stopcock, Clamps (preparación defectuosa; abrir llave de cierre y pinzas)	3 señales acústicas	Comprobar si las pinzas de las bolsas y la llave de cierre del histeroscopio se encuentran abiertas. Pulsar la tecla "Prime" para iniciar de nuevo.
High Fluid Loss Check Leakage (gran pérdida de líquido; comprobar si hay fugas)	3 señales acústicas	Las medidas a tomar se dejan al criterio del médico. En caso de necesidad realizar el control del déficit manualmente.
Scale Overload Scale Check (balanza sobrecargada; comprobar balanza)	3 señales acústicas	El peso en la balanza ha sobrepasado 30 kg (65 lbs). Debe reducirse el peso en la balanza. El funcionamiento del sistema proseguirá en cuanto se haya retirado el exceso de peso.
Communication Error (error de comunicación)	5 señales acústicas	Ponerse en contacto con el servicio técnico para clientes de Hologic.
Calibration Error (error de calibración)	5 señales acústicas	Ponerse en contacto con el servicio técnico para clientes de Hologic.
Sensor Error (error del sensor)	5 señales acústicas	Ponerse en contacto con el servicio técnico para clientes de Hologic.
Motor Error (error del motor)	5 señales acústicas	Ponerse en contacto con el servicio técnico para clientes de Hologic.
Low Vac Failed Use Alternative (falló el vacío reducido; utilizar alternativa)	3 señales acústicas	Para proseguir con la intervención se debe utilizar otra fuente alternativa de vacío reducido. Ponerse en contacto con el servicio técnico para clientes de Hologic.
High Vac Failed Use Alternative (falló el vacío elevado; utilizar alternativa)	3 señales acústicas	Para proseguir con la intervención se debe utilizar otra fuente alternativa de vacío elevado. Ponerse en contacto con el servicio técnico para clientes de Hologic.
Vac Systems Out Use Alternative (falló el sistema de vacío; utilizar alternativa)	3 señales acústicas	Para proseguir con la intervención se debe utilizar otra fuente alternativa de vacío. Ponerse en contacto con el servicio técnico para clientes de Hologic.

10 Datos técnicos

Tipo de aparato o designación de tipo		AQL-100		
Rango de tensión de red [V]		100-240 V		
Rango de frecuencia de alimentación [Hz]		50-60 Hz		
Designación del fusible		2x T 3,15 AH, 250 V, homologación UL		
Potencia absorbida		Corriente [A]	Tensión [V]	Potencia absorbida [VA/W]
Rango de tensión superior				
	Modo operativo normal	0,19 A	240 V	45 VA
	Pico	0,69 A	240 V	165 VA
Rango de tensión inferior				
	Modo operativo normal	0,52 A	100 V	52 VA
	Pico	1,70 A	100 V	170 VA
Clase de protección (I, II, III)		I		
Pieza de aplicación del tipo (B, BF, CF)		Diseñada para un sistema con clasificación BF		
Protección desfibrilador (Sí / No)		No		
Clase de protección (código IP)		IP41 (bomba), IP21 (balanza)		
Clasificación (I, IIa, IIb, III) según el Anexo X de la MDD europ.		IIb		
Conformidad con las normas siguientes:		EN 60601-1:2006 / IEC 60601-1:2005 EN 60601-1-2:2007 / IEC 60601-1-2:2007		
Condiciones de funcionamiento		desde 10 hasta 40 °C / desde 50 hasta 104 °F desde 30 % hasta 75 % humedad relativa del aire Presión atmosférica de 70 hasta 106 kPa Altitud máxima de uso sobre el nivel del mar: 3000 m		
Uso posible con gases de anestesia explosivos		El presente sistema no ha sido concebido para el uso con gases de anestesia explosivos (clase AP) ni con gases de anestesia explosivos con oxígeno (clase APG).		
Condiciones de almacenamiento y transporte		desde -20 hasta +70 °C / desde -4 hasta +158 °F desde 10 % hasta 90 % humedad relativa del aire Presión atmosférica desde 70 hasta 106 kPa		
Nivel de intensidad sonora máx.		< 80 dB(a)		
Carga máxima		30 kg (65 lbs)		
Valores ajustables				
	Intervalo de presión [mmHg]	40-150 mmHg		
Rango de medición				
	Caudal [ml/min]	desde 0 a 800 ml/min.		
	Presión [mmHg]	desde 0 a 500 mmHg		
	Déficit [ml]	-995/+9.995		
Exactitud, reproducibilidad				
	Caudal [ml/min]	±5 ml/min.		
	Presión [mmHg]	±2 mmHg		
	Déficit [ml]	±10 ml		
Dimensiones		Anchura x altura x profundidad [mm] 300 mm x 140 mm x 300 mm (AQL-100P), 670 mm x 1.320 mm x 670 mm (AQL-100CS)		
Peso [lbs], [kg]		13 lbs [5,8 kg] (AQL-100P), 23 lbs [10,5 kg] (AQL-100CS)		

ES

Datos técnicos

Exactitud		
	Caudal [% valor de la medida]	±7 %
	Presión [mmHg]	±7,5 mmHg
	Déficit [% valor de la medida]	±10 %
Interfaces:		
	Señal ON/OFF para componentes	1 x conexión de balanza (zócalo de conexión con brida/conector redondo de 5 pines/RS232) 1 x conexión de servicio (conector RS232 DSUB9/RS232)
	Cable de conexión a la red	IEC-60320-1 C14

ES

11 Indicaciones y aclaraciones del fabricante respecto a la compatibilidad electromagnética

11.1 Influencia de aparatos de comunicación móviles y portátiles de alta frecuencia

La radiación de energía de alta frecuencia de aparatos de comunicación móviles puede influir en el funcionamiento del aparato eléctrico médico. Está prohibido el uso de este tipo de aparatos (por ej. teléfonos móviles, teléfonos GPS) cerca de aparatos eléctricos médicos.

11.2 Conexiones eléctricas



Está prohibido tocar las conexiones eléctricas marcadas con esta señal de aviso. No deberán crearse conexiones entre estos enchufe y los conectores hembra sin tomar antes medidas de precaución contra las descargas electrostática (ESD).

Las medidas de protección contra las descargas electrostáticas son:

- Realizar la compensación de potencial en todos los aparatos a conectar (si su aparato dispone de ella).
- Utilización exclusiva de los accesorios nombrados.

Informar al personal sobre las medidas de protección contra las descargas electrostáticas.

Medidas de protección contra las descargas electrostáticas (ESD)

11.3 Directrices y aclaración del fabricante - Emisiones electromagnéticas

El Aquilex Fluid Control System está destinado al servicio en un entorno electromagnético como el descrito a continuación. El usuario de Aquilex Fluid Control System debe asegurarse de que se use el aparato en un entorno como el descrito.

Mediciones sobre emisión de interferencias	Concordancia	Entorno electromagnético - Directrices
Emisión de alta frecuencia según CISPR11	Grupo 1	El Aquilex Fluid Control System utiliza energía de alta frecuencia sólo para sus funciones internas. Por ello su emisión de alta frecuencia es muy débil y es improbable que se perturben los aparatos electrónicos cercanos.
Emisión de alta frecuencia según CISPR11	Clase B	El Aquilex Fluid Control System es apropiado para el uso en todas las instalaciones, inclusive las domésticas y en todas aquellas que estén conectadas directamente a una red de alimentación pública que alimente también edificios usados para viviendas.
Emisión de oscilaciones armónicas según IEC 61000-3-2	Clase A	
Emisión de fluctuaciones de tensión / Flicker según IEC 61000-3-3	Concuerta	

11.4 Directrices y aclaración del fabricante - Resistencia a interferencias electromagnéticas


El Aquilex Fluid Control System está destinado al servicio en un entorno electromagnético como el descrito a continuación. El usuario de Aquilex Fluid Control System debe asegurarse de que se use el aparato en un entorno como el descrito.

Pruebas de resistencia a interferencias	Nivel de prueba	Concordancia	Entorno electromagnético - Directrices
Descarga de electricidad estática (ESD) según IEC 61000-4-2	Descarga por contacto ± 6 kV Descarga por aire ± 8 kV	Concuerta	Los suelos deberían ser de madera o de hormigón o estar recubiertos de baldosas de cerámica. Si el suelo es de material sintético, la humedad relativa debería ser del 30% como mínimo.
Magnitudes perturbadoras eléctricas rápidas y transientes / ráfagas de sincronización cromática según IEC 61000-4-4	± 2 kV para líneas de alimentación ± 1 kV para líneas de entrada y de salida	Concuerta	La calidad de la tensión de alimentación debería corresponderse con la de un típico entorno comercial o de hospital.
Tensión transitoria (Surges) según IEC 61000-4-5	tensión asincrónica ± 1 kV, tensión sincrónica ± 2 kV	Concuerta	La calidad de la tensión de alimentación debería corresponderse con la de un típico entorno comercial o de hospital.
Huecos de tensión, interrupciones cortas y fluctuaciones del suministro de la tensión según IEC 61000-4-11	$< 5\% U_T^*$ (caída $> 95\%$ del valor de la U_T) para $1/2$ ciclo	Concuerta	La calidad de la tensión de alimentación debería corresponderse con la de un típico entorno comercial o de hospital. Si el usuario del sistema exige la continuación de la función incluso en el caso que se sucedan interrupciones en la alimentación de energía, se aconseja la alimentación del aparato con un suministro de corriente sin interrupciones.
	$40\% U_T$ (caída del 60% del valor de la U_T) para 5 ciclos		
	$70\% U_T$ (caída del 30% del valor de la U_T) para 25 ciclos		
	$< 5\% U_T$ (caída $> 95\%$ del valor de la U_T) para 5 ciclos		
Campo magnético en la frecuencia de la red (50/60 Hz) según IEC 61000-4-8	3 A/m	Concuerta	Los campos magnéticos en la frecuencia de red deberían concordar con los valores típicos de un entorno comercial u hospitalario.

*Nota: U_T es la tensión alternativa de red antes del uso del nivel de prueba.

ES

11.5 Directrices y aclaración del fabricante - Resistencia a interferencias electromagnéticas

Pruebas de resistencia a interferencias	Nivel de prueba	Concordancia	Entorno electromagnético - Directrices
Magnitudes perturbadoras de alta frecuencia guiadas según IEC 61000-4-6	3 V _{eff} 150 kHz hasta 80 MHz	Concuerta	<p>Los aparatos portátiles y móviles no deberían usarse en ninguna distancia de Aquilex Fluid Control System menor a la distancia de protección recomendada que se calcula en función de la ecuación correspondiente a la frecuencia de emisión. Distancias de protección recomendadas: $d = 1,2\sqrt{P}$ para 150 KHz hasta 80 MHz</p> <p>$d = 1,2\sqrt{P}$ para 80 MHz hasta 800 MHz</p> <p>$d = 2,3\sqrt{P}$ para 800 MHz hasta 2,5 GHz</p> <p>Con P como potencia nominal del emisor en vatios [W] de acuerdo con los datos proporcionados por el fabricante del emisor y d como distancia de protección recomendada en metros [m].</p> <p>La intensidad de campo de los radiotransmisores fijos debería ser en todas las frecuencias de acuerdo con una inspección in situ^a menor que el nivel de concordancia^b.</p> <p>En las cercanías de aparatos marcados con el siguiente motivo pueden darse perturbaciones.</p> 
Magnitudes perturbadoras de alta frecuencia emitidas según IEC 61000-4-3	3 V/m 80 MHz hasta 2,5 GHz	Concuerta	

Nota 1: con 80 MHz y 800 MHz es válido el ámbito de frecuencia más elevado.

Nota 2: Estas directrices pueden no ser aplicables en todos los casos. La propagación de magnitudes electromagnéticas está sujeta a las absorciones y reflexiones de los edificios, los objetos y las personas.

^a En teoría no puede determinarse con exactitud la intensidad de campo de los emisores fijos, como por ej. estaciones base de teléfonos inalámbricos y teléfonos móviles, estaciones de radioaficionados, emisoras de radio AM y FM y canales de televisión. Para conocer el entorno electromagnético respecto a los emisores fijos, debería plantearse la realización de un estudio del lugar. Si la intensidad de campo calculada para el lugar en el que se encuentra el Aquilex Fluid Control System sobrepasa el nivel de concordancia arriba indicado, deberá obser-

vase el Aquilex Fluid Control System para asegurarse que funciona conforme al fin descrito. Si se observan características de servicio inusuales, puede que sea necesario utilizar otras medidas como por ejemplo la colocación del Aquilex Fluid Control System hacia otra dirección o en otro lugar.

^b Por encima del ámbito de frecuencia de 150 kHz hasta 80 MHz, la intensidad de campo debería ser inferior a 3 V/m.

11.6 Distancias de protección recomendadas entre aparatos de telecomunicación de alta frecuencia móviles y portátiles y el Aquilex Fluid Control System

El Aquilex Fluid Control System está destinado al servicio en un entorno electromagnético en el que las magnitudes perturbadoras de alta frecuencia estén controladas. El usuario del Aquilex Fluid Control System puede contribuir a evitar las perturbaciones electromagnéticas respetando la distancia mínima entre los aparatos de telecomunicación de alta frecuencia portátiles y móviles (emisores) y el Aquilex Fluid Control System, de acuerdo con los datos que aparecen más abajo y en función de la potencia de salida del aparato de comunicación.

ES

Potencia nominal del emisor [W]	Distancia de protección en función de la frecuencia de emisión [m]		
	150 kHz hasta 80 MHz $d = 1,2\sqrt{P}$	80 MHz hasta 800 MHz $d = 1,2\sqrt{P}$	800 MHz hasta 2,5 GHz $d = 2,3\sqrt{P}$
0,01	0,12	0,12	0,23
0,1	0,38	0,38	0,73
1	1,2	1,2	2,3
10	3,8	3,8	7,3
100	12	12	23

Para los emisores cuya potencia nominal máxima no aparezca en la tabla superior, puede calcularse la distancia de protección recomendada d en metros [m] utilizando la ecuación de cada una de las columnas. P representa la potencia nominal máxima del emisor en vatios [W] de acuerdo con los datos proporcionados por el fabricante del emisor.

Nota 1: con 80 MHz y 800 MHz es válido el ámbito de frecuencia más elevado.

Nota 2: Estas directrices pueden no ser aplicables en todos los casos. La propagación de magnitudes electromagnéticas está sujeta a las absorciones y reflexiones de los edificios, los objetos y las personas.

12 Lista de accesorios

Tenemos a su disposición los siguientes grupos de accesorios:

Artículo	N.º referencia
Juego completo de tubos (de entrada y salida) del Aquilex Fluid Control System	AQL-112
Juego de tubos de Aquilex Fluid Control System para vacío (reducido y elevado)	AQL-114
Anillos para recipientes del Aquilex Fluid Control System	AQL-200
Cable de alimentación de red MyoSure® del Aquilex Fluid Control System	AQL-213
Cable de alimentación de red del Aquilex Fluid Control System (EE.UU.)	AQL-215
Cable de alimentación de red del Aquilex Fluid Control System (UK)	AQL-216
Cable de alimentación de red del Aquilex Fluid Control System (UE)	AQL-217

13 Información sobre la garantía

Hologic concede al comprador original del Aquilex Fluid Control System la garantía de ausencia de defectos de material y de fabricación siempre y cuando se utilice según su uso previsto en las condiciones habituales de funcionamiento así como observando las instrucciones de uso y mantenimiento. El compromiso de Hologic en el marco de la presente garantía se limita a la reparación o sustitución sin coste alguno según el criterio de Hologic en el plazo de un año desde la fecha de compra. Alternativamente Hologic puede compensar al comprador original con una suma o vale equivalente al precio de compra del sistema defectuoso.

LA PRESENTE GARANTÍA SUSTITUYE A CUALQUIER OTRA GARANTÍA EXPRESA O IMPLÍCITA DE COMERCIABILIDAD O ADECUACIÓN AL USO, ASÍ COMO A CUALQUIER OTRA OBLIGACIÓN Y RESPONSABILIDAD DE PARTE DE HOLOGIC. LA OBLIGACIÓN DE GARANTÍA DE HOLOGIC SE RESTRINGE ÚNICA Y EXPRESAMENTE A LA REPARACIÓN O SUSTITUCIÓN DEL APARATO (A CRITERIO DE HOLOGIC Y EN LA FORMA ORIGINAL ENVIADA), O A LA RECTIFICACIÓN DEL SERVICIO O, SEGÚN ESTIME HOLOGIC, A LA COMPENSACIÓN AL CLIENTE DEVOLVIÉNDOLE SU DINERO O UN VALE POR EL IMPORTE, QUE EQUIVALGA AL PRECIO U HONORARIOS DE HOLOGIC EN CUESTIÓN. LA PRESENTE GARANTÍA LIMITADA ES VÁLIDA SOLAMENTE PARA EL COMPRADOR ORIGINAL Y NO SE EXTENDERÁ EN NINGÚN CASO A TERCEROS, NI TAMPOCO A CLIENTES DEL COMPRADOR. LA GARANTÍA QUEDARÁ ANULADA CUANDO EL COMPRADOR TRASPASE EL PRODUCTO A UNA ENTIDAD QUE ADQUIERA MENOS DEL CINCUENTA (50) POR CIENTO DE LA PROPIEDAD DEL PRODUCTO. LA PRESENTE GARANTÍA NO SE APLICA A SISTEMAS AQUILEX O AQUILEX FLUID CONTROL SYSTEM EXPUESTOS A ACCIDENTES, NEGLIGENCIAS, MODIFICACIONES O USO INDEBIDO O QUE HAYAN SIDO REPARADOS, AFECTADOS O MODIFICADOS POR PERSONAS NO AUTORIZADAS POR HOLOGIC. HOLOGIC NO ASUME NINGUNA GARANTÍA POR LOS ACCESORIOS O COMPONENTES QUE HAYAN SIDO UTILIZADOS CON EL AQUILEX FLUID CONTROL SYSTEM, PERO QUE NO HAYAN SIDO SUMINISTRADOS Y/O FABRICADOS POR HOLOGIC. EL TÉRMINO "COMPRADOR ORIGINAL" EN EL CONTEXTO DE ESTA GARANTÍA SIGNIFICA LA PERSONA U ORGANIZACIÓN Y SUS EMPLEADOS, SI EXISTEN, A LOS QUE SE VENDIÓ EL SISTEMA HOLOGIC.

Servicio técnico para clientes e información sobre devoluciones

Si el Aquilex Fluid Control System no funciona según lo previsto, póngase en contacto con el servicio técnico de Hologic para sus clientes. Si el apartado, por cualquier motivo, debe ser enviado de nuevo a Hologic, recibirá un número RMA (Returned Materials Authorization) por parte del servicio técnico de Hologic. Remita el Aquilex System de vuelta a Hologic según las instrucciones del servicio técnico al cliente. Asegúrese de limpiar a fondo el sistema Aquilex antes de devolverlo con un paño limpio humedecido con un germicida o isopropanol.

Hologic y sus distribuidores y clientes de la Unión Europea están sujetos a la Directiva de RAEE 2002/96/EC relativa a los residuos de aparatos eléctricos y electrónicos. Hologic además procura cumplir los requisitos específicos de los países en cuanto a la eliminación respetuosa con el medio ambiente de sus productos. El objetivo declarado de Hologic es reducir los residuos resultantes de la eliminación de aparatos eléctricos y electrónicos. Hologic es consciente del beneficio de dar a dichos aparatos un posible nuevo uso, acondicionamiento, reciclaje o recuperación, a fin de reducir la cantidad de sustancias peligrosas que pueden vertirse al medio ambiente. Los clientes de Hologic de la Unión Europea son responsables de no desechar los aparatos médicos con el siguiente símbolo (la directiva de RAEE es de aplicación) junto con los residuos municipales, puesto que, existe un acuerdo correspondiente con las autoridades locales.



Póngase en contacto con el servicio técnico de Hologic para disponer la eliminación reglamentaria del sistema Aquilex de acuerdo con la directiva sobre RAEE.

Servicio técnico de Hologic

EE.UU. y Canadá:

Teléfono: 1.800.442.9892 (gratuito) o 1.508.263.2900

Fax: 1.508.229.2795

Agentes en la UE:

Teléfono: +32 2 255 17 74

14 Glosario

Término	Significado
Embolia	Obliteración repentina de un vaso sanguíneo por causa de un émbolo.
Caudal	Cantidad de líquido de irrigación (en ml) que fluye por el juego de tubos por minuto.
Hipervolemia	Elevación de la cantidad de sangre en la circulación.
Hiponatremia	Concentración reducida de sodio (< 130 mmol/l) en la sangre del paciente.
Histeroscopia	Endoscopio para visualizar el útero.
Presión intrauterina	Presión en la cavidad uterina.
Intravasación	Entrada de cuerpos extraños en un vaso sanguíneo.
Contaminación	Falta de pureza en recintos, en el agua, alimentos, objetos o personas debido a microorganismos o sustancias radioactivas, toxinas biológicas o sustancias químicas.
Contraindicación	Circunstancias (por ejemplo, edad, embarazo, una enfermedad concreta o un tratamiento con un medicamento concreto) que hacen imposible una medida de tratamiento en sí recomendada.
Solución salina	Solución salina isotónica, esto es, un litro (l) contiene 9,0 gramos (g) de cloruro de sodio.
Síndrome RTU	Síndrome de resección transuretral

15 Anexo
15.1 Registro de test

Fecha	Test realizados	Resultado	Anotaciones	Firma

ES

Índice alfabético**Á**

Ámbito de aplicación técnico 10

A

Ajuste de la presión en caso de reconexión 27

Apertura de la caja de embalaje 23

Aumento del déficit >300 ml/min 27

B

Balance exacto 16

Balanza sobrecargada 27

C

Campo de aplicación 5

Capacidad de la balanza 16

Cargar/descargar la balanza durante el funcionamiento 27

Certificación 28

Compensación de potencial 12

Conexión a la toma de corriente 12

Conexión de las bolsas de líquido 23

Contacto de puesta a tierra 12

Contraindicaciones 5

Cuidados y mantenimiento 4, 28

D

Derecho Federal Estadounidense 4

E

Eliminación de residuos 4

Exclusión de la responsabilidad 4

F

Fallo grave del sistema 27

I

Introducir el juego de tubos 23

M

Medidas de precaución 12

Medidas de protección contra las descargas electrostáticas (ESD) 39

Medida y regulación de la presión 11

P

Prescripciones del fabricante 30

Primera instalación del sistema 12

R

Realización del test del caudal 31

Reconocimiento del juego de tubos 20

Reservado el derecho a realizar modificaciones técnicas 3

S

Sólo para usuarios de EE.UU. 12

T

Técnicos autorizados de servicio técnico 4

Tests durante la inspección 30

U

Umbral de seguridad 24

Uso previsto 4

Indice

1	Avvertenze importanti.....	3
2	Avvertenze di sicurezza	4
3	Finalità d'uso.....	5
3.1	Avvertenze e misure precauzionali	5
3.1.1	Pericoli	5
3.1.2	Misure precauzionali.....	10
3.2	Descrizione dell'Aquilex Fluid Control System.....	10
4	Prima configurazione del sistema	12
4.1	Preparazione del sistema	12
4.2	Configurazione del sistema.....	13
5	Funzionamento del sistema.....	14
5.1	Lato anteriore della pompa	14
5.2	Retro della pompa.....	14
5.3	Supporto con unità di pesatura	15
5.3.1	Impostazione dell'unità di pesatura	16
5.3.2	Collegamento del tubo a depressione.....	17
5.4	Accensione del sistema Aquilex.....	18
5.5	Sospensione delle sacche di liquido.....	19
5.6	Utilizzo del set di tubi.....	19
5.7	Panoramica dei tubi.....	20
5.8	Collegamento del set di tubi per flusso in uscita	20
5.8.1	Attacco di deflusso del MyoSure®	21
5.9	Inserimento del set di tubi per flusso in ingresso	22
5.10	Preselezione della pressione intrauterina nominale.....	24
5.11	Impostazione del limite di deficit.....	24
5.12	Utilizzo della pompa durante l'intervento	24
5.13	Sostituzione del contenitore durante l'intervento	25
5.14	Volume totale visualizzato	26
5.15	Spegnimento del sistema	26
6	Funzioni di sicurezza	27
7	Cura e manutenzione.....	28
7.1	Pulizia del sistema.....	28
7.2	Manutenzione da parte di un tecnico del servizio di assistenza autorizzato	28
7.3	Sostituzione del fusibile	28
8	Ispezione annuale	30
8.1	Test di sicurezza	30
8.2	Test delle funzioni di base.....	30
8.3	Test dell'unità di pesatura.....	30
8.4	Test della portata di flusso.....	31
8.5	Test di misurazione della pressione	32
8.6	Test della misurazione del deficit di liquido	33
8.7	Test della pompa a depressione	34
9	Messaggi di errore e di avvertimento	35
10	Dati tecnici	37
11	Istruzioni e dichiarazione del produttore sulla compatibilità elettromagnetica	39
11.1	Influenza di dispositivi di comunicazione mobili e portatili ad alta frequenza	39
11.2	Collegamenti elettrici.....	39
11.3	Guida e dichiarazione del produttore - Emissioni elettromagnetiche.....	40
11.4	Guida e dichiarazione del produttore - Immunità elettromagnetica	41
11.5	Guida e dichiarazione del produttore - Immunità elettromagnetica	42
11.6	Distanze di sicurezza raccomandate tra apparecchi di telecomunicazione ad alta frequenza portatili e mobili e l'Aquilex Fluid Control System	43
12	Lista degli accessori.....	44
13	Informazioni relative alla garanzia	45
14	Glossario.....	47
15	Appendice	48
15.1	Protocollo di verifica	48
	Indice alfabetico.....	49

1 Avvertenze importanti

Si prega di leggere attentamente il manuale e le informazioni relative al comando e al funzionamento dell'Aquilex® Fluid Control System (sistema Aquilex) e degli accessori prima del loro utilizzo in sala operatoria. Se non si presta attenzione alle istruzioni contenute nel manuale, possono verificarsi:

- lesioni alle funzioni vitali del paziente,
- gravi lesioni all'équipe di sala operatoria o al personale sanitario e di servizio oppure
- danni o avarie al sistema e ai relativi accessori.

A causa del continuo sviluppo dei nostri articoli, il produttore si riserva la possibilità che le illustrazioni e i dati tecnici differiscano lievemente dal prodotto consegnato.

I paragrafi indicati dai termini PERICOLO, ATTENZIONE e AVVERTENZA hanno un'importanza particolare. Si prega di leggere questi paragrafi con la massima attenzione.

PERICOLO!

La sicurezza del paziente o dell'operatore è a rischio. Osservare il presente avvertimento per evitare lesioni al paziente o all'operatore.

ATTENZIONE!

Le avvertenze segnalano eventuali rischi per il sistema. Osservare questa avvertenza per evitare danni al sistema.

AVVERTENZA!

I messaggi di avvertenza contengono informazioni speciali o supplementari per spiegare le istruzioni fornite.

Riserva di modifiche tecniche

Importante!



2 Avvertenze di sicurezza

Diritto federale americano (solo per il mercato USA)

Attenzione: secondo il diritto federale americano l'apparecchio deve essere acquistato esclusivamente da un medico o su sua prescrizione.

Esonero da responsabilità

Hologic non si assume alcuna responsabilità per danni diretti o indiretti e il diritto alla garanzia si estingue se

- il sistema e/o gli accessori vengono utilizzati, condizionati o revisionati impropriamente,
- le istruzioni riportate nel manuale non vengono osservate,
- persone non autorizzate effettuano riparazioni, regolazioni o modifiche al sistema o ai relativi accessori,
- persone non autorizzate aprono il sistema,
- gli intervalli di revisione e manutenzione prescritti non vengono rispettati.

La consegna della documentazione tecnica non implica l'autorizzazione a eseguire riparazioni, impostazioni o modifiche al sistema o ai relativi accessori.

Tecnici del servizio di assistenza autorizzati

Soltanto i tecnici del servizio di assistenza autorizzati possono riparare, regolare o modificare il sistema o gli accessori e utilizzare il menu di servizio. Eventuali trasgressioni comportano l'esclusione della garanzia da parte del produttore. La formazione e la certificazione del personale tecnico del servizio di assistenza autorizzato è di esclusiva competenza del produttore.

IT

Uso conforme

Utilizzare il sistema esclusivamente per la prevista finalità d'uso.

Cura e manutenzione

È assolutamente necessario eseguire la cura e la manutenzione prescritte del sistema e degli accessori onde garantire un funzionamento sicuro. Prima di ogni impiego si prega pertanto di controllarne il funzionamento e la completezza a tutela del paziente e dell'équipe impegnata in sala operatoria.

Smaltimento



Nella Comunità Europea, questo simbolo indica che le apparecchiature elettriche ed elettroniche non devono essere smaltite nel sistema locale di raccolta indifferenziata ma separatamente. Per ulteriori informazioni, rivolgersi a Hologic o ad aziende di smaltimento autorizzate.

3 Finalità d'uso

L'Aquilex® Fluid Control System serve a dilatare l'utero tramite introduzione di liquidi per l'isteroscopia diagnostica e chirurgica, nonché a monitorare la differenza di volume tra il liquido che viene introdotto nell'utero e il liquido che ne fuoriesce.

Il sistema non deve essere impiegato per immettere liquidi nell'utero se sussiste una controindicazione per un'isteroscopia. Si osservino le controindicazioni specifiche e relative riportate nelle istruzioni per l'uso dell'isteroscopio.

Controindicazioni relative dell'ablazione dell'endometrio

Si raccomanda di eseguire l'ablazione isteroscopica dell'endometrio mediante chirurgia laser oppure elettrica esclusivamente dopo aver seguito un adeguato corso di addestramento e se si dispone della relativa esperienza clinica. Inoltre, prima di distruggere l'endometrio è necessario prelevare un campione di tessuto. Le seguenti condizioni cliniche possono complicare sensibilmente l'ablazione isteroscopica dell'endometrio:

- iperplasia adenomatosa dell'endometrio
- leiomioma uterino
- adenomiosi grave
- dolori al bacino (malattia infiammatoria pelvica acuta)
- anomalie uterine
- abilità chirurgiche (v. sopra)
- anemia grave
- impossibilità di bypassare il mioma a causa delle sue dimensioni - miomi principalmente intramurali con piccole componenti sottomucose.

3.1 Avvertenze e misure precauzionali

3.1.1 Pericoli

PERICOLO!

Per l'uso di unità elettrochirurgiche monopolari per isteroscopia è necessario che il liquido non sia conduttore di corrente. I liquidi non conduttori di corrente sono ad esempio la glicina, il sorbitolo e il mannitolo. Non è consentito l'uso di liquidi di irrigazione in soluzione fisiologica isotonica se si deve eseguire la resezione elettrochirurgica bipolare.



PERICOLO!

Per consentire un'adeguata dilatazione intrauterina e ridurre le forze che potrebbero introdurre liquido, aria ambiente e/o gas nel circuito, si dovrebbe mantenere la pressione intrauterina sul valore più basso possibile.



PERICOLO!

La dilatazione intrauterina si può ottenere, di regola, con valori di pressione compresi tra 35 e 70 mmHg. Eccetto alcuni casi eccezionali occorre una pressione superiore a 75-80 mmHg soltanto quando si è in presenza di una pressione arteriosa molto elevata.



PERICOLO!

In caso di impiego del supporto con unità di pesatura, seguire attentamente le istruzioni per l'uso riportate nel presente manuale.





PERICOLO!

Fluid overload

Esiste il rischio che attraverso l'utero possa penetrare del liquido d'irrigazione nella circolazione sanguigna (intravasazione) o nei tessuti della paziente. Tale condizione può essere influenzata dalla pressione di dilatazione, dalla portata di flusso, dalla perforazione della cavità uterina e dalla durata dell'isteroscopia. È molto importante monitorare costantemente l'afflusso e il deflusso del liquido di dilatazione.



PERICOLO!

Deficit di liquido

È necessario tenere sotto osservazione la quantità di liquido rimanente nella paziente. Il deficit è la quantità complessiva di liquido che rimane nella paziente o che non può essere assegnata. Prestare attenzione alla tolleranza di misurazione del sistema (vedere il capitolo 10, Dati tecnici). La valutazione della quantità di liquido che rimane nella paziente è responsabilità del medico.



PERICOLO!

Monitoraggio dell'afflusso e del deflusso

È molto importante monitorare costantemente l'afflusso e il deflusso del liquido. Se si utilizza un liquido a bassa viscosità, occorre tenere sotto attento controllo l'introduzione intrauterina di più di 2 litri di liquido poiché esiste la possibilità di un "Fluid overload". Se si utilizza un liquido ad alta viscosità (come Hyskon), occorre tenere sotto attento controllo l'introduzione di più di 500 ml di liquido. Per ulteriori informazioni, vedere la descrizione del prodotto relativa a Hyskon.



PERICOLO!

Concentrazione di sodio nel siero del sangue

Occorre tenere sotto controllo la concentrazione di sodio nel sangue della paziente per evitare disordini elettrolitici. Il controllo della concentrazione di sodio rientra nell'ambito di responsabilità del medico; non viene eseguito né supportato dal sistema.



PERICOLO!

In caso di interruzione di corrente o brevi interruzioni di tensione, l'indicazione di deficit va perduta.



PERICOLO!

Iponatriemia

Alcuni liquidi possono determinare un "Fluid overload" con successiva iponatriemia e rispettive conseguenze. Tale condizione è influenzata dalla pressione di dilatazione, dalla portata di flusso e dalla durata dell'isteroscopia. È molto importante monitorare costantemente l'afflusso e il deflusso del liquido di dilatazione.



PERICOLO!

Edema polmonare

Durante un'isteroscopia esiste il rischio di edema polmonare, che si sviluppa per effetto di un "Fluid overload" con liquido isotonic. È molto importante monitorare costantemente l'afflusso e il deflusso del liquido di dilatazione.

PERICOLO!**Edema cerebrale**

Durante un'isteroscopia esiste il rischio di edema cerebrale, che si sviluppa per effetto di un "Fluid overload" e un disordine elettrolitico in caso d'uso di soluzioni iposmolari (non ioniche) quali glicina all'1,5% e sorbitolo al 3,0%. È molto importante monitorare costantemente l'afflusso e il deflusso del liquido di dilatazione.

**PERICOLO!****Reazioni idiosincratice**

In rari casi, durante un'isteroscopia possono manifestarsi reazioni idiosincratice, quali

- coagulopatia intravascolare
- reazione allergica, inclusa anafilassi,

se si utilizza un liquido di dilatazione. In particolare, in caso d'impiego di Hyskon come liquido di irrigazione durante un'isteroscopia, sono state osservate reazioni anafilattiche idiosincratice, che vanno trattate come le altre reazioni allergiche.

**PERICOLO!****Ipotermia (monitoraggio della temperatura corporea)**

Durante un'isteroscopia, il flusso continuo del liquido di dilatazione può portare a un abbassamento della temperatura del corpo della paziente. Una bassa temperatura corporea può causare problemi alle coronarie e al sistema cardiocircolatorio. Monitorare quindi la temperatura corporea della paziente durante l'intera durata dell'intervento. Verificare in particolare che vengano evitate, se possibile, le seguenti condizioni operatorie, poiché favoriscono l'ipotermia:

- lunga durata dell'intervento
- uso di un liquido di irrigazione freddo.

**PERICOLO!****Rottura delle tube a seguito di un'occlusione**

La dilatazione dell'utero può causare una lacerazione nella tuba, se questa risulta bloccata o ostruita in modo permanente. Attraverso la rottura, il liquido di irrigazione può fluire nella cavità peritoneale della paziente e causare un "Fluid overload". È molto importante monitorare costantemente l'afflusso e il deflusso del liquido di dilatazione.

**PERICOLO!**

Se l'aria che si trova nel sistema di tubi o nello strumento collegato dovesse raggiungere il corpo della paziente, esiste il pericolo di embolie. Il sacchetto deve sempre contenere liquido per evitare di pompare aria nel corpo della paziente.

**PERICOLO!**

Il sistema è indicato esclusivamente per l'uso con contenitori flessibili per liquidi. In caso d'impiego di contenitori in vetro esiste il pericolo di rottura. Se si utilizza un contenitore rigido, il liquido non può fluire abbastanza rapidamente poiché nel contenitore si forma il vuoto. In caso d'impiego di contenitori rigidi esiste il rischio di implosione.





PERICOLO!

Il riempimento dei tubi con liquido di irrigazione e il reset a 0 dell'indicatore di deficit avvengono previo parere del medico.



PERICOLO!

Posizionare il sistema in modo che sia sempre possibile osservare i valori visualizzati, controllarne il funzionamento e accedere agli elementi di comando.



PERICOLO!

È vietato utilizzare il sistema se si sospetta la presenza di un errore del sistema oppure se viene rilevato un errore durante il controllo delle funzioni. Ciò vale anche nel caso di difetti evidenti, in particolare alla spina e al cavo di alimentazione.



PERICOLO!

Con il tasto ON/OFF non si disconnette il sistema dalla rete elettrica. A tale scopo occorre staccare la spina di rete situata sul retro del sistema.



PERICOLO!

Tecnica e procedimento

Solo il medico è in grado di stabilire se l'impiego del sistema è indicato per il paziente dal punto di vista clinico. Al medico spetta decidere quale tecnica e quale procedimento applicare per ottenere l'esito clinico desiderato.



PERICOLO!

Verificare tutte le impostazioni di fabbrica.

Le impostazioni di fabbrica non hanno valore assoluto per il medico. Il medico è responsabile di tutte le impostazioni relative alle condizioni operatorie.



PERICOLO!

Accessori originali

Per la propria sicurezza personale e quella del paziente è consentito utilizzare esclusivamente accessori Aquilex.



PERICOLO!

Nessuna protezione antideflagrante

Il sistema non ha una protezione antideflagrante. Non azionare l'apparecchio in prossimità di gas anestetici esplosivi.



PERICOLO!

Non sono consentite modifiche al sistema.



PERICOLO!

Per evitare il rischio di folgorazione elettrica, collegare il sistema esclusivamente ad una rete di alimentazione con conduttore di protezione.

PERICOLO!**Qualifica professionale**

Il presente manuale non contiene descrizioni o istruzioni sulle tecniche da adottare in sala operatoria, tanto meno si prefigge di iniziare un medico inesperto alle tecniche chirurgiche. I sistemi e gli strumenti medici devono essere utilizzati esclusivamente all'interno di impianti appositamente previsti e da medici o personale paramedico che dispongano di un'adeguata qualifica professionale.



PERICOLO!**Strumenti e accessori sterili**

Se indicato, lavorare esclusivamente con sostanze, strumenti, liquidi e accessori sterili.



PERICOLO!**Sistema e accessori di ricambio**

Tenere a portata di mano un sistema e accessori di ricambio da utilizzare nell'eventualità di dovere portare a termine l'intervento in caso di guasto al sistema o agli accessori.



PERICOLO!**Pulizia del sistema**

Il sistema non deve essere sterilizzato in alcun caso.



PERICOLO!**Gocce d'acqua**

Proteggere il sistema dall'umidità. Non utilizzare il sistema se è penetrato del liquido al suo interno.



PERICOLO!**Guasto al sistema**

Non utilizzare il sistema in caso di guasto sospetto o confermato. Evitare che il sistema venga riutilizzato prima della revisione da parte di un tecnico autorizzato del servizio di assistenza.



PERICOLO!**Sostituzione del fusibile**

Qualora fosse necessario sostituire un fusibile, assicurarsi di utilizzare il modello prescritto (vedere il capitolo 10, Dati tecnici).



PERICOLO!

Posizionare il sistema in modo che il cavo di alimentazione possa essere rimosso con facilità.



3.1.2 Misure precauzionali



ATTENZIONE!

Diritto federale americano (solo per il mercato USA)

Secondo il diritto federale americano l'apparecchio deve essere acquistato esclusivamente da un medico o su sua prescrizione.



ATTENZIONE!

Se il sistema Aquilex è utilizzato assieme a MyoSure® o a un altro sistema morcellatore, la combinazione di bassa pressione nominale e un vuoto troppo alto può causare una perdita significativa della pressione di dilatazione intrauterina, con conseguente possibile riduzione della visuale nel campo operatorio. Al contrario, se la pressione di dilatazione è elevata, lo spegnimento del MyoSure® o di un altro sistema morcellatore può provocare picchi di pressione superiori a 150 mmHg. Queste situazioni possono presentarsi brevemente quando il sistema adatta automaticamente la portata di flusso per ritornare alla pressione intrauterina nominale impostata.



ATTENZIONE!

Il sistema può essere utilizzato soltanto con isteroscopi il cui impiego sia a norma di legge e i cui dati tecnici ammettano un utilizzo combinato. Ogni isteroscopia utilizzato deve soddisfare le specifiche previste dalle Norme IEC 60601-2-18 e ISO 8600 nella versione rispettivamente valida.



ATTENZIONE!

Influenza elettrica: (vedere il capitolo 11, Istruzioni e dichiarazione del produttore sulla compatibilità elettromagnetica). Durante lo sviluppo e il collaudo del sistema si è cercato di escludere in pratica influenze elettriche da parte di altri sistemi. Tuttavia, qualora si sospetti una tale influenza, è possibile adottare le seguenti misure per escluderla:

- modificando la collocazione del sistema Aquilex, degli altri sistemi o entrambi
- aumentando la distanza tra i sistemi utilizzati
- rivolgendosi ad un tecnico specializzato in elettromedicina.



ATTENZIONE!

Verificare che la tensione di rete disponibile corrisponda a quella riportata sulla targhetta situata sulla parte posteriore della pompa. Una tensione errata può provocare malfunzionamenti e la distruzione del sistema.

Ambito di applicazione tecnico

3.2 Descrizione dell'Aquilex Fluid Control System

La pressione nominale intrauterina è impostata sul lato anteriore della pompa. Può essere selezionato un intervallo compreso tra 40 e 150 mmHg. La velocità di flusso massima è di 800 ml/min. e viene ridotta automaticamente dalla pompa non appena si raggiunge la pressione nominale intrauterina preimpostata.

Il sistema è progettato, sul lato liquido e sul lato vuoto, in modo da ottimizzare le prestazioni del MyoSure® Tissue Removal System.

Possibili mezzi di dilatazione

L'Aquilex Fluid Control System può essere utilizzato sia con fluidi ipotonici e privi di elettroliti (ad es. glicina all'1,5% e sorbitolo al 3,0%), sia con fluidi isotonici e contenenti elettroliti (ad es. soluzione fisiologica allo 0,9% e soluzione Ringer lattato).

Misurazione e regolazione della pressione

Il sistema misura la pressione del fluido di irrigazione senza contatto fisico. Tale

misurazione senza contatto è possibile grazie all'integrazione della camera a pressione nel sistema di tubi. La camera a pressione trasmette la pressione del liquido di irrigazione tramite un sensore ai componenti elettronici dell'apparecchio. Il regolatore di pressione correla costantemente la pressione nominale intrauterina preimpostata a quella reale. La funzione di questo algoritmo consiste nel mantenere costante la pressione nominale intrauterina. Se la pressione nominale intrauterina non viene raggiunta, controllare che non vi siano perdite nel sistema.

4 Prima configurazione del sistema

Prima di configurare il sistema per la prima volta, controllare sempre tutti i componenti e gli accessori. Se il sistema presenta difetti visibili, rivolgersi all'Assistenza di Hologic (capitolo 13, Informazioni relative alla garanzia).

Prima configurazione del sistema



Disporre il sistema su una superficie piana in ambiente asciutto. La temperatura ambiente e l'umidità dell'aria devono corrispondere alle indicazioni riportate nel capitolo 10, Dati tecnici.

PERICOLO!

Posizionare il sistema in modo che il cavo di alimentazione possa essere rimosso con facilità.

Collegamento a una presa



4.1 Preparazione del sistema

ATTENZIONE!

Verificare che la tensione di rete disponibile corrisponda a quella riportata sulla targhetta situata sulla parte posteriore del sistema. Una tensione errata può provocare malfunzionamenti e la distruzione del sistema.

Assicurarsi che i dati di collegamento dell'alimentazione elettrica siano conformi alle norme DIN VDE oppure ad altre norme nazionali. Il cavo di alimentazione deve essere collegato soltanto a una presa con contatto di protezione a norma di legge (v. DIN VDE 0107). Per conoscere la tensione di esercizio del sistema consultare la targhetta applicata sulla parte posteriore della pompa.

Contatto di protezione

L'allacciamento alla rete elettrica deve avvenire tramite un contatto di protezione. Con il cavo di alimentazione Aquilex ripristinare il collegamento tra la presa dotata di contatto di protezione e la spina del sistema situata sulla parte posteriore.

Informazione valida esclusivamente per utenti negli Stati Uniti

Utilizzare esclusivamente un cavo di connessione alla rete rimovibile certificato (omologazione UL), tipo SJT, per un minimo di 18 AWG, a 3 poli. I contatti devono rispondere alle norme NEMA 5-15 o IEC 320/CEE22. Il collegamento del conduttore di terra viene garantito soltanto se il sistema è collegato a una presa per ospedali installata a norma di legge (Hospital Grade).

Collegamento equipotenziale

Integrare il sistema nel sistema di collegamento equipotenziale in conformità con le disposizioni di sicurezza locali in vigore.

Misure precauzionali

Gli apparecchi elettrici per uso medico sono soggetti a misure precauzionali e di sicurezza particolari per quanto riguarda la compatibilità elettromagnetica (CEM).

Il presente sistema è da impiegarsi esclusivamente per l'uso descritto nel rispettivo manuale. Per la collocazione e la messa in servizio osservare assolutamente le istruzioni di compatibilità elettromagnetica.

4.2 Configurazione del sistema

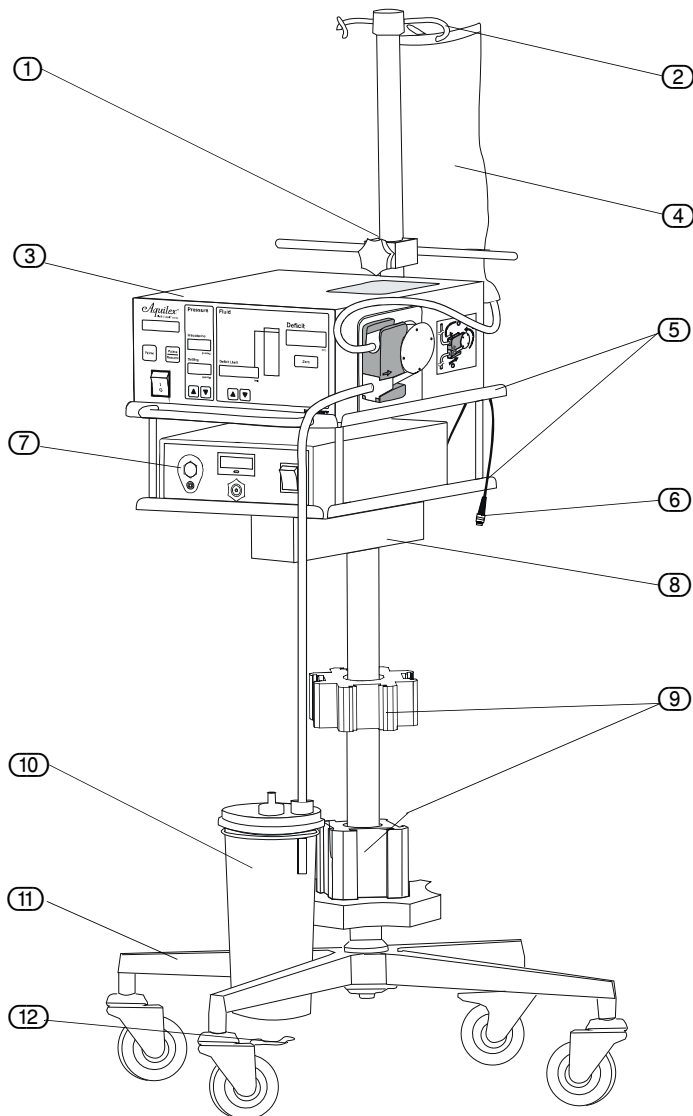


Fig. 4-1 Configurazione dell'Aquilex Fluid Control System

- ① Supporto
- ② Supporto sacca
- ③ Pompa
- ④ Sacche di liquido
- ⑤ Piastre di sostegno
- ⑥ Cavo dell'unità di pesatura
- ⑦ Unità di controllo MyoSure®
- ⑧ Unità di pesatura
- ⑨ Supporto per contenitore
- ⑩ Contenitore
- ⑪ Piede a rotelle
- ⑫ Freno di bloccaggio

IT

Per la spedizione, l'Aquilex Fluid Control System è suddiviso in due cartoni:

Il cartone 1 contiene:

- Pompa
- Manuale
- Cavo di alimentazione
- Set di tubi a depressione Aquilex (basso e alto vuoto)
- Cavo di alimentazione per unità di controllo MyoSure®

Il cartone 2 contiene:

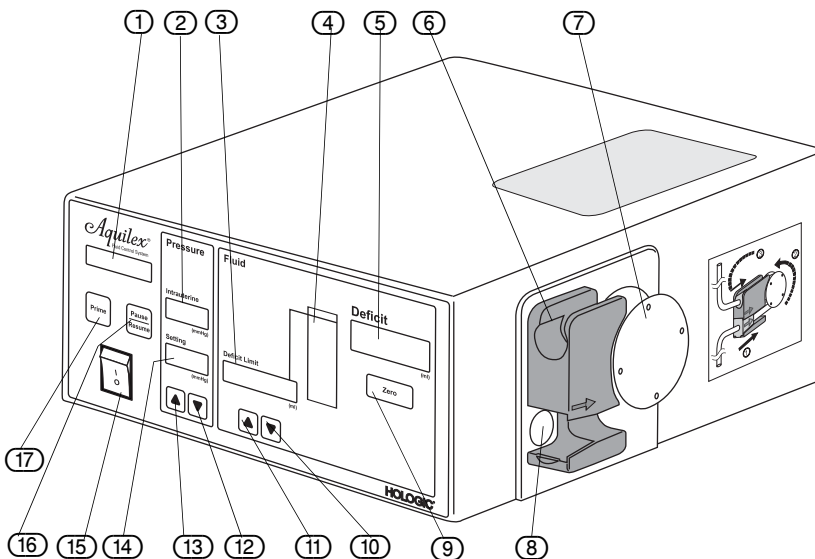
- Supporto con unità di pesatura
- Anelli contenitori

5 Funzionamento del sistema

5.1 Lato anteriore della pompa

Fig. 5-1 Lato anteriore della pompa

- ① Indicatore pompa
- ② Indicatore della pressione intrauterina reale
- ③ Indicatore della soglia di deficit di liquido
- ④ Misuratore di deficit
- ⑤ Indicatore di deficit
- ⑥ Supporto per tubo per flusso in ingresso
- ⑦ Ruota
- ⑧ Sensore di pressione
- ⑨ Tasto di reset per deficit (zero)
- ⑩ Ridurre la soglia di deficit
- ⑪ Aumentare la soglia di deficit
- ⑫ Ridurre la regolazione della pressione intrauterina nominale
- ⑬ Aumentare la regolazione della pressione intrauterina nominale
- ⑭ Indicatore della pressione intrauterina nominale
- ⑮ Interruttore ON/OFF
- ⑯ Tasto Pause/Resume (Pausa/Riprendi)
- ⑰ Tasto Prime

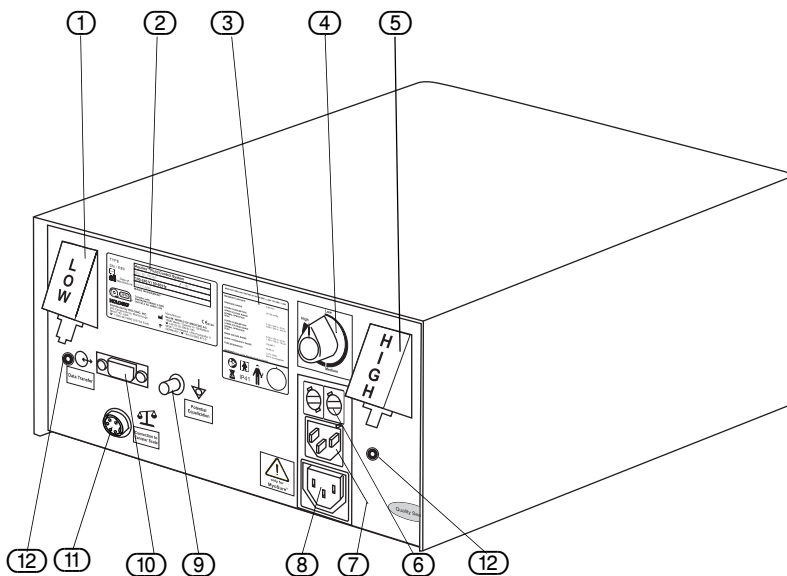


Familiarizzare con la disposizione degli elementi sul lato anteriore della pompa.

5.2 Retro della pompa

Fig. 5-2 Retro della pompa

- ① Attacco per basso vuoto (bianco)
- ② Etichetta prodotto
- ③ Dati di potenza dell'apparecchio
- ④ Regolatore di adattamento per alto vuoto
- ⑤ Attacco per alto vuoto (verde)
- ⑥ Portafusibili
- ⑦ Attacco per cavo di alimentazione
- ⑧ Attacco per unità di controllo Myo-Sure®
- ⑨ Connessione per collegamento equipotenziale
- ⑩ Interfaccia di servizio
- ⑪ Attacco per unità di pesatura
- ⑫ Aperture di aspirazione



Familiarizzare con la disposizione degli elementi sul retro della pompa.

ATTENZIONE!

Le unità periferiche da collegare tramite l'interfaccia dell'apparecchio devono essere conformi alla norma EN 60950.



5.3 Supporto con unità di pesatura

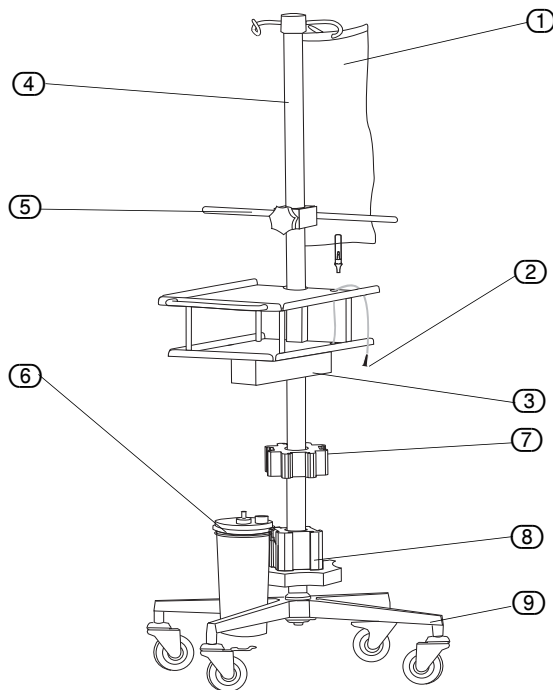


Fig. 5-3 Supporto con unità di pesatura

- ① Sacche di liquido
- ② Cavo dell'unità di pesatura
- ③ Unità di pesatura
- ④ Asta con supporto sacca
- ⑤ Tendi-sacca
- ⑥ Contenitore
- ⑦ Supporto per contenitore superiore (Serres, Medela, Baxter, Baxter flex)
- ⑧ Supporto per contenitore inferiore (Abbott, Bemis, Medi-Vac, DeRoyal)
- ⑨ Piede a rotelle

Il supporto con unità di pesatura è composto da un'unità di pesatura per i contenitori, un'asta con gancio per le sacche contenenti il liquido di irrigazione e un piede a rotelle.

1. Estrarre il supporto con unità di pesatura dal cartone di spedizione.
2. Estrarre l'asta fino alla posizione di finecorsa.
3. Estrarre il tendi-sacca.
4. Estrarre la pompa e il cavo di alimentazione dal primo cartone.
5. A seconda del tipo di contenitore utilizzato, applicare l'anello (contenuto nel secondo cartone di spedizione) sul supporto superiore (7) o su quello inferiore (8).
6. Inserire il cavo di alimentazione nella connessione (7) Fig. 5-2, Retro della pompa) sul retro della pompa e in una presa di corrente con contatto di protezione.
7. Collegare l'unità di pesatura alla pompa inserendo il cavo dell'unità (2) Fig. 5-3, Supporto con unità di pesatura) nella relativa connessione (11) Fig. 5-2, Retro della pompa).
8. Inserire il cavo dell'unità di controllo MyoSure® fornito in dotazione nella connessione (8) Fig. 5-2, Retro della pompa) situata sul retro della pompa per collegare quest'ultima all'unità MyoSure®.

PERICOLO!

Errore di bilanciamento

Fare attenzione che all'avvio del sistema nessuna parte entri in contatto con l'unità di pesatura. Ciò potrebbe causare valori del deficit imprecisi.



PERICOLO!

Deficit di liquido

È necessario tenere sotto osservazione la quantità di liquido rimanente nella paziente. Il deficit è la quantità complessiva di liquido che rimane nella paziente o che non può essere assegnata. Prestare attenzione alla tolleranza di misurazione del sistema (vedere il capitolo 10, Dati tecnici). La valutazione della quantità di liquido che rimane nella paziente è responsabilità del medico.





PERICOLO!

Concentrazione di sodio nel siero del sangue

Occorre tenere sotto controllo la concentrazione di sodio nel sangue della paziente per evitare disordini elettrolitici. Il controllo della concentrazione di sodio rientra nell'ambito di responsabilità del medico; non viene eseguito né supportato dal sistema.

Bilanciamento preciso

Per ottenere un valore del deficit più preciso possibile, cercare di raccogliere tutto il liquido che fuoriesce dalla cavità uterina durante l'intervento.

Capacità dell'unità di pesatura

Il limite di pesatura dell'unità è di quasi 30 kg (65 lb). Un peso superiore attiva il messaggio **Scale Overloaded/Check Scale** (Unità pesatura sovraccarica/Controllare unità di pesatura). Inoltre vengono emessi tre segnali acustici (vedere il capitolo 9, Messaggi di errore e di avvertimento).



ATTENZIONE!

Fare in modo che i contenitori siano appesi senza alcun ostacolo, non siano sostenuti dal basso e non abbiano alcun contatto con altri oggetti. In caso contrario si rischia di non poter rilevare correttamente il deficit.



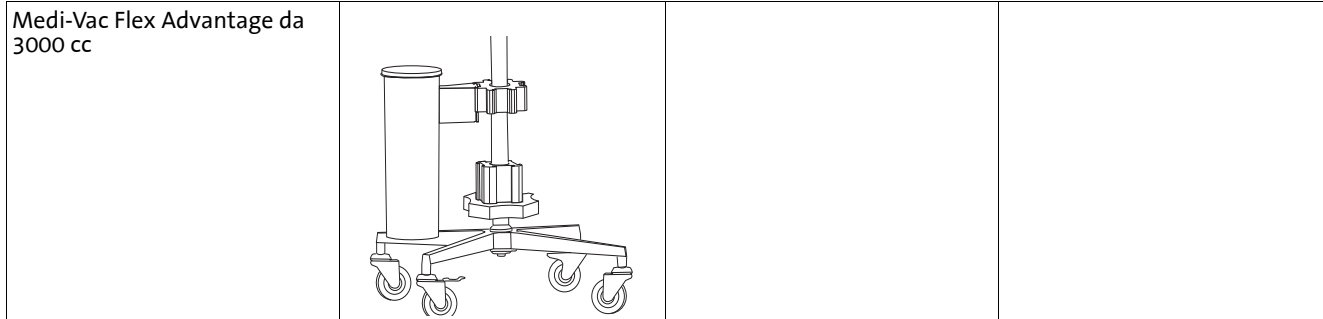
AVVERTENZA!

Prima di accendere il sistema collegare l'unità di pesatura alla pompa.

5.3.1 Impostazione dell'unità di pesatura

L'unità di pesatura può essere utilizzata con contenitori di varie marche.

Bemis® da 3 litri		DeRoyal®	
Abbott da 2 litri		Serres da 2 e 3 litri	
Medi-Vac® da 3 litri		Medela da 3 litri	



AVVERTENZA!

Verificare che i contenitori siano agganciati correttamente al supporto adatto.



AVVERTENZA!

Utilizzare esclusivamente contenitori provvisti di coperchio di protezione.



5.3.2 Collegamento del tubo a depressione

ATTENZIONE!

Se il sistema Aquilex è utilizzato assieme a MyoSure® o a un altro sistema morcellatore, la combinazione di bassa pressione nominale e un vuoto troppo alto può causare una perdita significativa della pressione di dilatazione intrauterina, con conseguente possibile riduzione della visuale nel campo operatorio. Al contrario, se la pressione di dilatazione è elevata, lo spegnimento del MyoSure® o di un altro sistema morcellatore può provocare picchi di pressione superiori a 150 mmHg. Queste situazioni possono presentarsi brevemente quando il sistema adatta automaticamente la portata di flusso per ritornare alla pressione intrauterina nominale impostata.



1. Collegare il tubo a depressione con il filtro igienico al contenitore di aspirazione. È necessario eseguire tale operazione soltanto una volta durante la prima configurazione del sistema, non prima di ogni intervento.
 - Attacco per basso vuoto (bianco)
 - ▶ Collegare il tubo a depressione con la spina bianca all'attacco per basso vuoto (bianco) ① in Fig. 5-4. Qui la pompa a depressione genera una depressione fissa (~ 225 mmHg).
 - ▶ Utilizzare il tubo di collegamento (⑤ Fig. 5-4), se si impiegano due contenitori in sequenza sullo stesso tubo a depressione.

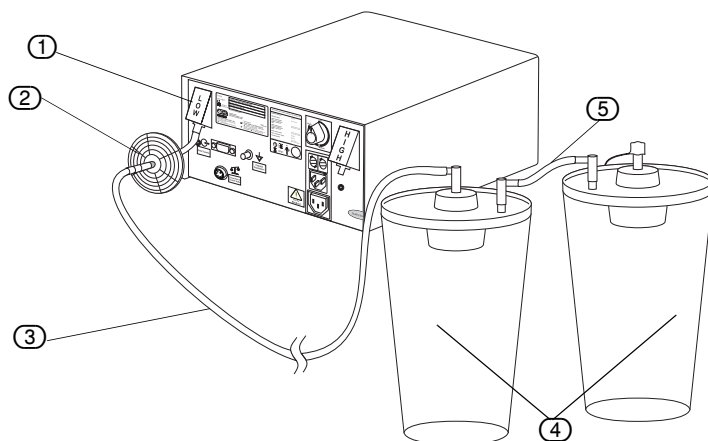


Fig. 5-4 Tubo per basso vuoto

- ① Attacco per basso vuoto (bianco)
- ② Filtro igienico
- ③ Tubo a depressione
- ④ Contenitore
- ⑤ Tubo di collegamento

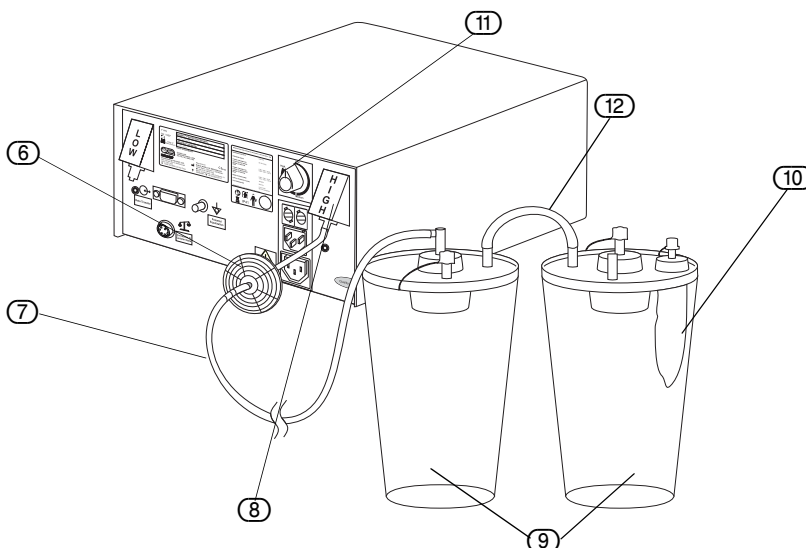
- Attacco per alto vuoto (verde)
 - ▶ Collegare il tubo a depressione con la spina verde all'attacco per alto vuoto

⑧ in Fig. 5-5. Qui è possibile impostare il vuoto con il regolatore di adattamento fino a un massimo di 500 mmHg.

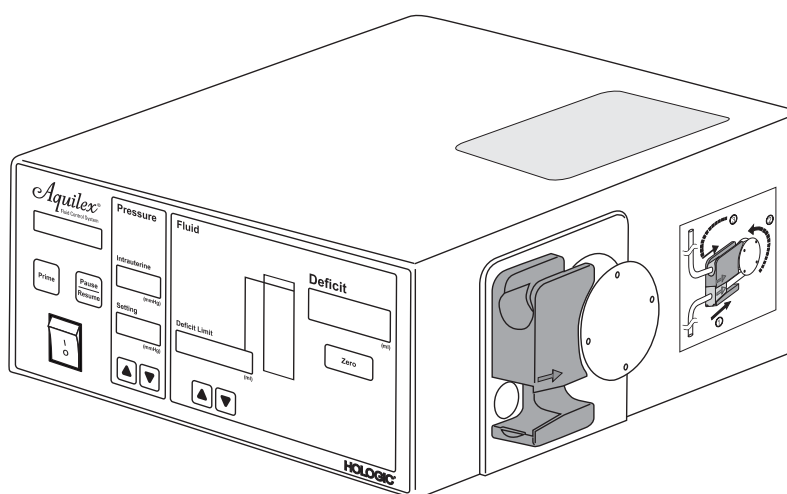
► Utilizzare il tubo di collegamento (⑫ Fig. 5-5), se si impiegano due contenitori in sequenza sullo stesso tubo a depressione.

Fig. 5-5 Tubo per alto vuoto

- ⑥ Filtro igienico
- ⑦ Tubo a depressione (spina verde)
- ⑧ Attacco per alto vuoto (verde)
- ⑨ Contenitore
- ⑩ Raccoglitore tessuto (per interventi con MyoSure®)
- ⑪ Regolatore di adattamento
- ⑫ Tubo di collegamento



5.4 Accensione del sistema Aquilex



1. Premere l'interruttore ON/OFF. Le indicazioni si illuminano e il sistema si accende.
2. Il sistema effettua ora un autotest.
3. Se all'accensione della pompa è presente un set di tubi nel supporto del tubo per flusso in ingresso, sull'**indicatore della pompa** (Fig. 5-2, Lato anteriore della pompa ①) appare il messaggio **Remove Tube Set** (Rimuovere il set di tubi). L'autotest prosegue non appena il set di tubi è stato rimosso dalla ruota.
Se non è possibile concludere l'autotest del sistema con esito positivo, appaiono corrispondenti messaggi d'errore (vedere il capitolo 9, Messaggi di errore e di avvertimento).

Se l'autotest del sistema si è concluso con esito positivo, viene emesso un singolo segnale acustico. Il messaggio **System OK** (Sistema OK) viene visualizzato per 5 secondi, poi compare il messaggio **Insert Tube Set** (Inserire il set di tubi).

PERICOLO!

È vietato utilizzare il sistema se si sospetta la presenza di un errore del sistema oppure se viene rilevato un errore durante il controllo delle funzioni. Ciò vale anche nel caso di difetti evidenti, in particolare alla spina e al cavo di alimentazione.



5.5 Sospensione delle sacche di liquido

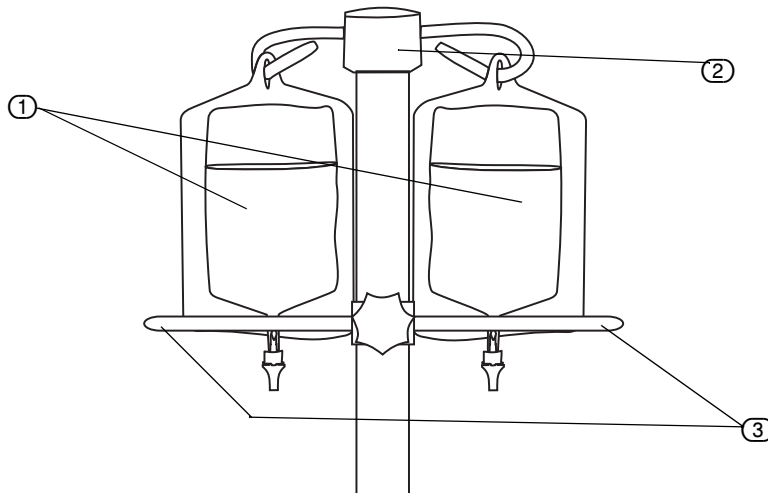


Fig. 5-6 Sospensione delle sacche di liquido

- ① Sacche di liquido
- ② Asta con supporto sacca
- ③ Tendi-sacca

IT

PERICOLO!

Per l'uso di unità elettrochirurgiche monopolari per isteroscopia è necessario che il liquido non sia conduttore di corrente. I liquidi non conduttori di corrente sono ad esempio la glicina, il sorbitolo e il mannitolo. Non è consentito l'uso di liquidi di irrigazione in soluzione fisiologica isotonica se si deve eseguire la resezione elettrochirurgica bipolare.



Appendere una o due sacche di liquido riempite con il liquido d'irrigazione adatto all'intervento pianificato. (Per un intervento con MyoSure® sono necessarie una o due sacche contenenti 3000 ml di soluzione fisiologica.)

PERICOLO!

Il sistema è indicato esclusivamente per l'uso con contenitori flessibili per liquidi. In caso d'impiego di contenitori in vetro esiste il pericolo di rottura. Se si utilizza un contenitore rigido, il liquido non può fluire abbastanza rapidamente poiché nel contenitore si forma il vuoto. In caso d'impiego di contenitori rigidi esiste il rischio di implosione.



5.6 Utilizzo del set di tubi

Il Aquilex Fluid Control System è concepito per essere utilizzato con set di tubi monouso per flusso in ingresso e flusso in uscita.

Ogni set di tubi per flusso in ingresso è dotato di un trasponditore per il rilevamento del set di tubi. Il trasponditore RFID contiene informazioni sul tipo di tubo, sul suo stato di utilizzo e sulla sua affidabilità. Tali informazioni sono visualizzate sull'indicatore della pompa. In tal modo si evita di riutilizzare inavvertitamente un set di tubi su più di una paziente (vedere il capitolo 5.7, Panoramica dei tubi).

Rilevamento del set di tubi

PERICOLO!

Ricondizionamento di prodotti monouso sterili
In caso di ricondizionamento di tubi per flusso in ingresso e flusso in uscita, esiste



il pericolo di infezioni per la paziente e/o l'operatore, nonché il rischio di compromettere il funzionamento del prodotto. La contaminazione e/o compromissioni della funzionalità del sistema possono causare lesioni, patologie o la morte della paziente. I set di tubi monouso per flusso in ingresso e flusso in uscita non devono essere ricondizionati.



AVVERTENZA!

Per lo smaltimento dei tubi, del liquido raccolto e dei contenitori attenersi alle norme igieniche vigenti.

5.7 Panoramica dei tubi

Per il funzionamento del sistema, sono necessari tre diversi set di tubi. Nella seguente tabella sono elencati tutti i tipi di set di tubi e le relative applicazioni.

Codice articolo	Descrizione
AQL-110	Set di tubi per flusso in ingresso per Aquilex Fluid Control System
AQL-111	Set di tubi per flusso in uscita per sistema Aquilex Fluid Control
AQL-112	Set di tubi completo (flusso in ingresso e flusso in uscita), monouso, sterili
AQL-114	Set di tubi per Aquilex Fluid Control System per alto e basso vuoto: riutilizzabili, non sterili

Tabella 5-1

5.8 Collegamento del set di tubi per flusso in uscita



ATTENZIONE!

Se il sistema Aquilex è utilizzato assieme a MyoSure® o a un altro sistema morcellatore, la combinazione di bassa pressione nominale e un vuoto troppo alto può causare una perdita significativa della pressione di dilatazione intrauterina, con conseguente possibile riduzione della visuale nel campo operatorio. Al contrario, se la pressione di dilatazione è elevata, lo spegnimento del MyoSure® o di un altro sistema morcellatore può provocare picchi di pressione superiori a 150 mmHg. Queste situazioni possono presentarsi brevemente quando il sistema adatta automaticamente la portata di flusso per ritornare alla pressione intrauterina nominale impostata.

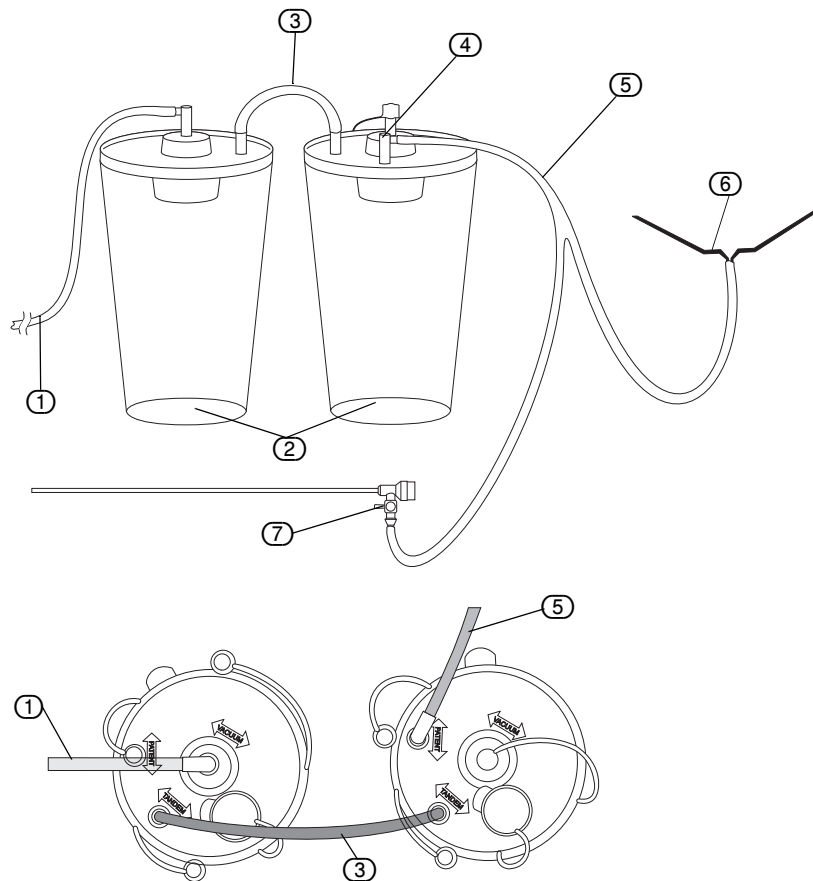


Fig. 5-7 Set di tubi per flusso in uscita

- ① A basso vuoto (bianco)
- ② Contenitore
- ③ Tubo di collegamento
- ④ Attacco paziente
- ⑤ Set di tubi per flusso in uscita
- ⑥ Telo di copertura
- ⑦ Canale di deflusso estraibile (MyoSure®) o rubinetto del flusso in uscita dell'isteroscopio

Nella configurazione a basso vuoto della Fig. 5-4, il set di tubi per flusso in uscita (tubo a Y) viene collegato all'attacco paziente (4) del secondo contenitore. L'attacco giallo flessibile è fissato al telo di copertura (6). Il raccordo Luer giallo è collegato al rubinetto d'intercettazione (7) del canale di deflusso estraibile (MyoSure®) oppure al rubinetto per flusso in uscita dell'isteroscopio.

5.8.1 Attacco di deflusso del MyoSure®

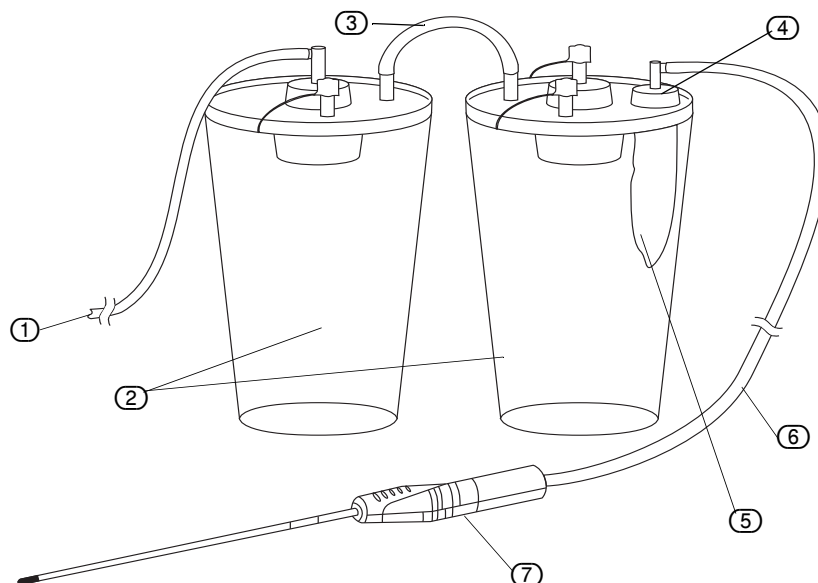
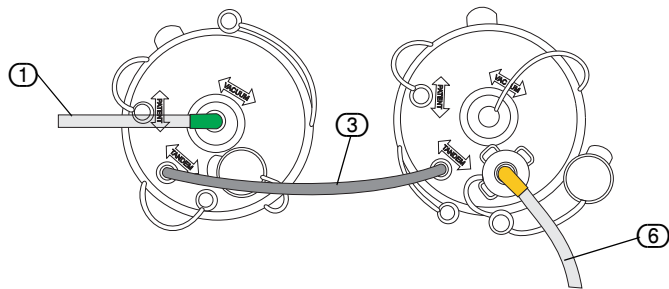


Fig. 5-8 Attacco del MyoSure®

- ① A alto vuoto (verde)
- ② Contenitore
- ③ Tubo di collegamento
- ④ Attacco per campione tessuto
- ⑤ Raccoglitore tessuto
- ⑥ Tubo a depressione del MyoSure®
- ⑦ MyoSure® Tissue Removal Device (TRD)

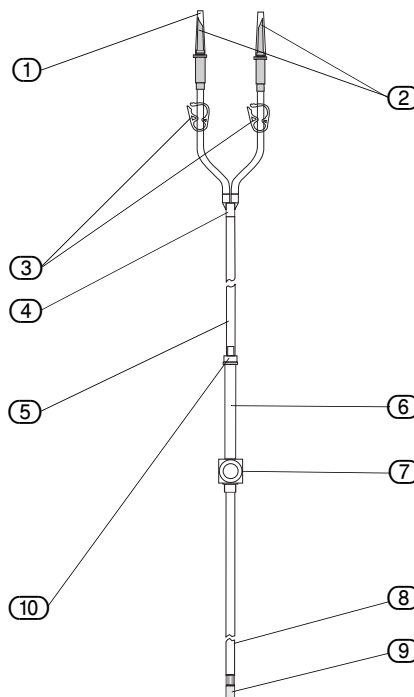


Se nell'utero viene rilevata la presenza di tessuto patologico, il MyoSure® TRD può essere collegato al sistema Aquilex, come illustrato nella Fig. 5-8. Il tubo a depressione del MyoSure® (6) viene collegato al raccogliitore di tessuto (5) nel secondo contenitore.

5.9 Inserimento del set di tubi per flusso in ingresso

Fig. 5-9 Componenti del set di tubi

- ① Tappi di protezione
- ② Raccordi conici per sacche di liquido
- ③ Fascette di serraggio dei tubi
- ④ Raccordo a Y
- ⑤ Sezione flusso in ingresso
- ⑥ Sezione ruota
- ⑦ Camera a pressione con membrana e trasponditore RFID
- ⑧ Sezione isteroscopio
- ⑨ Raccordo Luer-Lock (blu)
- ⑩ Attacco ruota



(vedere Fig. 5-9, Componenti del set di tubi) Il set di tubi per flusso in ingresso è costituito da tre sezioni, un raccordo a Y (4) e due raccordi conici per le sacche di liquido (2). Le tre sezioni sono le seguenti: sezione ruota (6), sezione flusso in ingresso (5) e sezione isteroscopio (8). I raccordi conici per le sacche di liquido (2) consentono di collegare le sezioni alle sacche per il liquido.

Il raccordo Luer-Lock (9) collega il tubo per l'isteroscopio all'isteroscopio stesso.

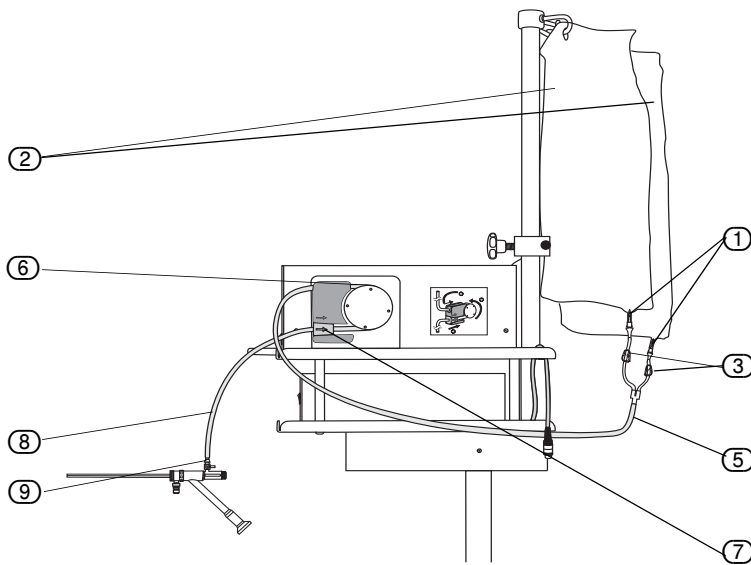


Fig. 5-10 Inserimento del set di tubi

- ① Raccordi conici per sacche di liquido
- ② Sacche di liquido
- ③ Fascette per sacca
- ⑤ Tubo per flusso in ingresso
- ⑥ Tubo della ruota
- ⑦ Camera a pressione con membrana e trasponditore RFID
- ⑧ Tubo per isteroscopia
- ⑨ Raccordo Luer-Lock (blu)

1. Set di tubi per flusso in ingresso - da eseguirsi da parte di personale non sterile

- ▶ Aprire la confezione esterna del set di tubi per flusso in ingresso.
- ▶ Il personale sterile preleva la confezione interna del set di tubi e la apre.

2 Da eseguirsi da parte di personale sterile

- ▶ Conservare nella zona sterile il connettore Luer-Lock blu (9) e consegnare l'estremità del tubo con i raccordi conici per le sacche di liquido (1) al personale non sterile.
- ▶ Collegare il connettore Luer-Lock blu (9) al rubinetto d'intercettazione del flusso in ingresso dell'isteroscopia. Aprire il rubinetto d'intercettazione.

3 Da eseguirsi da parte di personale non sterile

- ▶ Controllare che il sistema sia acceso.
- ▶ Collegare le fascette di serraggio (3) ai tubi per flusso in ingresso sotto i raccordi conici delle sacche per liquido (1).
- ▶ Posizionare il set di tubi per flusso in ingresso nel supporto del tubo corrispondente.
L'inserimento del tubo della ruota è rappresentato in Fig. 5-11.
- ▶ Spingere delicatamente la camera a pressione (7) nell'alloggiamento inferiore del supporto del tubo per flusso in ingresso (12), fino a avvertire una certa resistenza. Allineare la camera a pressione e il supporto del tubo per flusso in ingresso alla direzione delle frecce (vedere Fig. 5-11).
- ▶ Durante l'inserimento del tubo della ruota fare attenzione a non danneggiare la membrana della camera a pressione. La camera a pressione (7) deve essere inserita esclusivamente in stato depressurizzato.
- ▶ Avvolgere il tubo della ruota (6) intorno alla ruota (11).
- ▶ Quando si collega il tubo alle sacche contenenti il liquido d'irrigazione oppure lo si rimuove dalle sacche, afferrare sempre i raccordi conici in corrispondenza dell'impugnatura appositamente prevista. I raccordi conici devono essere inseriti nelle sacche del liquido in condizioni sterili. Il chirurgo deve avere scelto un liquido idoneo per l'intervento pianificato.

Apertura della confezione esterna

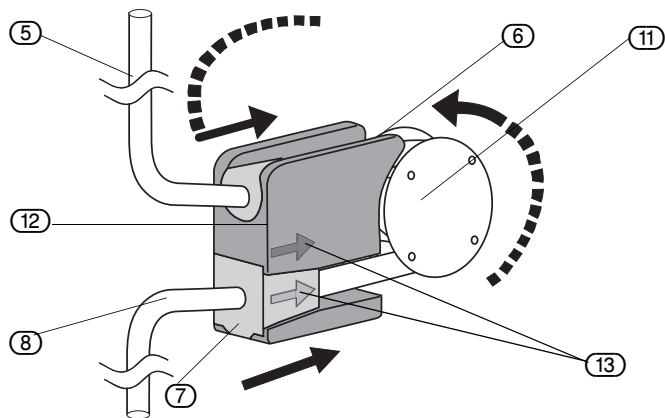
Collegamento all'isteroscopia

Inserire il set di tubi

Collegamento delle sacche di liquido

Fig. 5-11 Applicazione del tubo della ruota

- ⑤ Tubo per flusso in ingresso
- ⑥ Tubo della ruota
- ⑦ Camera a pressione
- ⑧ Tubo per isteroscopia
- ⑪ Ruota
- ⑫ Supporto per tubo per flusso in ingresso
- ⑬ Freccia di direzione



5.10 Preselezione della pressione intrauterina nominale

L'impostazione della pressione intrauterina nominale può essere adattata quando il sistema è in funzione. A tal fine, utilizzare i tasti ▲ e ▼ (Fig. 5-2, Lato anteriore della pompa). L'impostazione della pressione può essere selezionata tra 40 e 150 mmHg in intervalli di 5 mmHg. La pressione intrauterina reale è visualizzata sull'indicatore della pressione intrauterina reale ②.

Se durante lo scroll con i tasti ▲ (vedere Fig. 5-2, Lato anteriore della pompa) si raggiunge la soglia di sicurezza di 100 mmHg, entra in funzione un segnale acustico. Per impostare un valore superiore, fino a un massimo di 150 mmHg, rilasciare il tasto ▲ per circa un secondo e poi proseguire lo scroll.

ATTENZIONE!

Se durante l'intervento la pressione attuale non reagisce a un aumento del valore del flusso, è possibile che si sia verificata una perforazione della cavità uterina. Rischio di intravasazione. Controllare se la cavità uterina ha riportato delle possibili lesioni.

5.11 Impostazione del limite di deficit

La soglia di deficit può essere adattata quando il sistema è in funzione. A tal fine, utilizzare i tasti ▲ e ▼ (vedere Fig. 5-2). La soglia di deficit può essere impostata tra 600 e 2500 ml in intervalli di 100 ml. La soglia di deficit viene indicata sul corrispondente indicatore ③. Il misuratore di deficit assiste l'operatore durante il monitoraggio della quantità deficitaria. Il colore del misuratore di deficit varia quando ci si avvicina alla soglia di deficit. La soglia di deficit impostata dall'operatore è segnalata da un LED rosso nella parte superiore del misuratore. Se durante il funzionamento il deficit effettivo aumenta, il LED si accende e indica la quantità deficitaria effettiva fino al raggiungimento della soglia di deficit (vedere il paragrafo **Soglia di deficit** nel capitolo 6, Funzioni di sicurezza).

5.12 Utilizzo della pompa durante l'intervento

- ▶ Aprire le fascette di serraggio sulle sacche del liquido (③ Fig. 5-10).
- ▶ Aprire completamente il rubinetto d'intercettazione per l'afflusso all'isteroscopia.
- ▶ Premere il tasto **Prime** (⑰ Fig. 5-2).
- ▶ La pompa funziona per circa 20 secondi per pompare aria dai tubi ed eseguire la calibrazione automatica del lume.
- ▶ Sull'indicatore della pompa compare **Calibration Running** (Calibrazione in corso).

Calibrazione automatica del lume

La pompa è dotata di una funzione per la calibrazione automatica del lume. Il sistema determina la resistenza di flusso dell'isteroscopia. Tale resistenza è utilizzata per calcolare la pressione della pompa necessaria per mantenere la



pressione intrauterina nominale. Per superare questa resistenza, la pompa ammette un valore di pressione fino a 80 mmHg durante la calibrazione. Tale valore viene visualizzato nell'indicatore della pressione intrauterina reale. In caso di fallita calibrazione a causa dell'elevata resistenza, la calibrazione viene ripetuta con un valore di pressione ammesso entro 150 mmHg. Se non è ancora possibile concludere la calibrazione, la pompa visualizza **Prime Fail -Open Stopcock, Clamps** (Prime fallito; aprire rubinetto d'intercettazione e fascette).

La calibrazione automatica del lume si avvia non appena viene premuto il tasto **Prime**.

- ▶ Quando la calibrazione automatica del lume è terminata, vengono emessi tre segnali acustici. Sull'indicatore della pompa compare per 5 secondi **Prime Successful Close Stopcock** (Prime eseguito con successo, chiudere il rubinetto), seguito da **System Operating** (Sistema pronto per l'uso).
- ▶ Per arrestare l'afflusso, chiudere il rubinetto d'intercettazione per l'afflusso all'isteroscopia. Una volta eliminato tutto il liquido dal telo di copertura, azzerare l'indicatore di deficit.

AVVERTENZA!

Al termine della calibrazione automatica del lume, la pompa continua a funzionare. Arrestare la pompa chiudendo il rubinetto d'intercettazione per l'afflusso all'isteroscopia.



AVVERTENZA!

Nel caso in cui durante un intervento si utilizzi un altro isteroscopia, attivare ogni volta la calibrazione automatica del lume premendo il tasto "Prime".



- ▶ Aprire il rubinetto d'intercettazione e inserire l'isteroscopia nell'utero facendo scorrere il liquido.
- ▶ Adattare al bisogno l'impostazione della pressione intrauterina nominale per raggiungere un'adeguata dilatazione e una buona visuale.
- ▶ Al termine dell'utilizzo del sistema, chiudere il rubinetto d'intercettazione per l'afflusso all'isteroscopia.
- ▶ Attendere che l'intera quantità di liquido proveniente dal telo di copertura e dal set di tubi si sia raccolta nei due contenitori.
- ▶ Premere il tasto **Pause/Resume** (Pausa/Riprendi).
- ▶ Annotare la quantità deficitaria riportata sull'indicatore di deficit. Si tratta dell'intera quantità di liquido ricevuta dalla paziente.

Funzionamento del sistema

Termine del funzionamento del sistema

PERICOLO!

Errore del sistema: È vietato utilizzare il sistema Aquilex se si sospetta la presenza di un errore del sistema oppure se viene rilevato un errore durante il controllo delle funzioni. Ciò vale anche nel caso di difetti evidenti, in particolare al connettore di rete e al cavo di alimentazione.



5.13 Sostituzione del contenitore durante l'intervento

- ▶ Arrestare la pompa premendo il tasto **Pause/Resume** (Pausa/Riprendi). In tal modo viene congelato anche il valore visualizzato sull'indicatore del deficit di liquido.
- ▶ Rimuovere i contenitori e montare nuovi contenitori.
- ▶ Collegare i tubi dei contenitori.
- ▶ Premere il tasto **Pause/Resume** (Pausa/Riprendi) per proseguire l'intervento.

Sostituzione del contenitore durante l'intervento



ATTENZIONE!

Se si rimuove un contenitore pieno dall'unità di pesatura senza avere premuto il tasto "Pause/Resume" (Pausa/Riprendi), compare il messaggio "Container Change, Press Resume" (Sostituzione del contenitore, premere Resume), la pompa si blocca immediatamente e l'indicatore di deficit viene congelato, in modo da potere proseguire il calcolo del deficit in modo corretto. Una volta completata la sostituzione del contenitore, è possibile riavviare la pompa premendo il tasto "Pause/Resume" (Pausa/Riprendi).

Volume totale visualizzato

5.14 Volume totale visualizzato

Se si desidera eseguire un controllo manuale del deficit di liquido, è possibile visualizzare la quantità totale di liquido tenendo contemporaneamente premuti i tasti freccia avanti e indietro (10 e 11 in Fig. 5-2, Lato anteriore della pompa) visualizzando la soglia di deficit di liquido (3 in Fig. 5-2). Il valore dell'indicatore di deficit è l'intera quantità di liquido espressa in ml. Non appena si rilascia uno o entrambi i tasti freccia, nell'indicatore di deficit viene di nuovo visualizzato il valore del deficit di liquido.

Spegnimento

5.15 Spegnimento del sistema

Per spegnere la pompa premere l'interruttore **ON/OFF**. Gli indicatori non sono più accesi.



PERICOLO!

Con il tasto **ON/OFF** non si disconnette il sistema dalla rete elettrica. A tale scopo occorre staccare la spina di rete situata sul retro del sistema.

6 Funzioni di sicurezza

Il perfetto funzionamento del sistema viene costantemente monitorato dall'impianto elettronico. Eventuali anomalie vengono rese note tramite segnali acustici, messaggi d'errore e/o l'arresto delle funzioni di sistema. Un riepilogo sotto forma di tabella dei messaggi d'errore/avvertimento si trova al capitolo 9, Messaggi di errore e di avvertimento.

Se la pressione intrauterina reale supera il valore impostato della pressione intrauterina nominale di 10 mmHg per oltre 5 secondi, si attiva la riduzione della pressione. Durante la riduzione della pressione, la ruota gira alcune volte avanti e indietro. Se non è possibile ridurre la pressione, compare il messaggio **Overpressure/Open Stopcock** (Sovrapressione/Aprire il rubinetto d'intercettazione) e vengono emessi tre segnali acustici.

Non appena la pressione intrauterina reale supera il valore di 150 mmHg, compare il messaggio **Maximum Pressure** (Pressione massima) e la pompa emette tre segnali acustici. È stata raggiunta la massima pressione consentita.

Se la pressione intrauterina reale supera il valore di 200 mmHg per oltre 5 secondi, la ruota si blocca e compare il messaggio **Overpressure/Check Stopcock** (Sovrapressione/Controllare il rubinetto d'intercettazione). Vengono emessi tre brevi segnali acustici fintanto che la pressione non è stata ridotta. Non appena la pressione intrauterina reale scende al di sotto di 200 mmHg, i segnali acustici si interrompono e la ruota riprende a girare.

Se il set di tubi per il flusso in ingresso non è stato inserito correttamente nella ruota, dopo avere premuto il tasto **Prime** viene emesso un breve segnale acustico e compare il messaggio **Check Tube Set Installation** (Controllare installazione set di tubi). La ruota non viene avviata.

Se si verifica un malfunzionamento nell'elettronica di misurazione della pressione, compare il messaggio **Sensor Error** (Errore sensore) e vengono emessi cinque brevi segnali acustici. La ruota si blocca.

Se viene superato il peso massimo consentito dell'unità di pesatura (circa 30 kg/65 lb), viene emesso un segnale acustico continuo e compare il messaggio **Scale Overload Check Scale** (Unità pesatura sovraccarica/Controllare unità di pesatura). Il segnale acustico si interrompe e il messaggio scompare non appena si rimuove il peso in eccesso dall'unità di pesatura.

Se durante il funzionamento della pompa si preleva un contenitore dall'unità di pesatura, vengono emessi tre brevi segnali acustici continui e compare il messaggio **Container Change, Press Resume** (Sostituzione del contenitore, premere Resume). I segnali acustici si interrompono quando viene ripristinato lo stato originale o si preme il tasto **Pause/Resume** (Pausa/Riprendi).

Se l'ultima impostazione della pressione intrauterina nominale era superiore a 80 mmHg, essa sarà resettata al valore standard di 80 mmHg.

Dopo ogni incremento della quantità deficitaria di 100 ml oltre il valore limite impostato, vengono emessi tre segnali acustici, che si ripetono fintanto che la pompa è in funzione. Compare il messaggio **Deficit Limit Exceeded** (Soglia di deficit superata).

Se il deficit aumenta di oltre 300 ml/min., vengono emessi tre segnali acustici e compare il messaggio **High Fluid Loss Check Leakage** (Perdita di liquido elevata; controllare eventuali perdite). Se non è possibile individuare alcuna causa evidente dell'elevata perdita di liquido, occorre verificare che non vi sia stata una perforazione della cervice o dell'utero della paziente.

Vengono emessi cinque brevi segnali acustici e compare il messaggio **Motor error** (Errore motore). Gli errori possono verificarsi anche durante la procedura di avvio, prima che sia stato attivato l'indicatore della pompa. In tali casi, sull'indicatore della pompa non compare alcuna scritta.

La pressione intrauterina reale è di 10 mmHg al di sopra del valore impostato della pressione intrauterina nominale

Pressione intrauterina reale > 150 mmHg

Pressione intrauterina reale > 200 mmHg

Controllo dell'installazione del set di tubi

Guasto al sistema di misurazione della pressione

Unità di pesatura sovraccarica

Caricamento/scaricamento unità di pesatura in funzione

Impostazione della pressione alla riaccensione

Soglia di deficit

Aumento del deficit >300 ml/min

Grave errore del sistema

Cura e manutenzione

7 Cura e manutenzione

È assolutamente necessario eseguire la cura e la manutenzione prescritte del sistema e degli accessori onde garantire un funzionamento sicuro. Prima di ogni impiego si prega pertanto di controllarne il funzionamento e la completezza a tutela del paziente e dell'equipe impegnata in sala operatoria.

Per mantenere in efficienza il sistema e gli apparecchi ad esso collegati, occorre prestare attenzione adeguata alla cura, alla manutenzione e allo stoccaggio.

7.1 Pulizia del sistema

1. Per spegnere il sistema premere l'interruttore **ON/OFF**.
2. Staccare il cavo di alimentazione.
3. Frizionare la superficie del sistema con un panno morbido imbevuto di detergente per superfici (ad es. Meliseptol® rapid). Per la concentrazione del disinfettante utilizzato attenersi alle indicazioni fornite dal produttore. Evitare assolutamente che penetri umidità all'interno del sistema.



AVVERTENZA!

Il sistema non deve essere sterilizzato in alcun caso.

7.2 Manutenzione da parte di un tecnico del servizio di assistenza autorizzato

Per garantire la sicurezza e il corretto funzionamento del sistema, si raccomanda di affidarne la manutenzione e le ispezioni a un tecnico del servizio di assistenza autorizzato ad intervalli di tempo adeguati. Ciò deve avvenire **almeno** una volta ogni due anni, in base alla frequenza d'uso e alla durata d'impiego. In caso contrario, il produttore declina ogni responsabilità per la sicurezza di funzionamento del sistema. Un adesivo applicato sul retro del sistema serve a ricordare la data ultima per il successivo intervento di manutenzione.

Intervallo di manutenzione biennale

Certificazione

Richiedere al tecnico del servizio di assistenza una certificazione al termine della verifica o della riparazione. La certificazione deve contenere quando segue:

- Tipo ed estensione degli interventi eseguiti
- Data dell'esecuzione
- Nome dell'azienda che ha eseguito gli interventi
- Firma del tecnico

7.3 Sostituzione del fusibile



ATTENZIONE!

Prima di sostituire il fusibile, controllare che i valori del fusibile da utilizzare corrispondano a quanto indicato nel capitolo 10, Dati tecnici.

Il fusibile è guasto e deve essere sostituito se:

- gli indicatori e il display non si accendono,
- il sistema non funziona.

Verificare se:

- il cavo di alimentazione collega correttamente la spina del sistema (Fig. 5-2) ad una presa di corrente dotata di contatto di protezione,
- il fusibile della rete elettrica è funzionante.



PERICOLO!

Staccare il cavo di alimentazione dal sistema prima di controllare il fusibile.

Per sostituire il fusibile **non** occorre aprire il sistema.

1. Spegner il sistema.
2. Staccare il sistema dalla rete elettrica.
3. I portafusibili si trovano direttamente in corrispondenza della spina sulla parte posteriore della pompa.
4. Estrarre i due portafusibili svitandoli con un piccolo cacciavite come illustrato in Fig. 7-1.
5. Estrarre i portafusibili.
6. Controllare i fusibili.
7. Inserire i nuovi fusibili. Impiegare solo i fusibili prescritti (vedere il capitolo 10, Dati tecnici).
8. Reinserrire i portafusibili.
9. Con il cavo di alimentazione ripristinare il collegamento tra la presa dotata di contatto di protezione e la spina situata sulla parte posteriore.

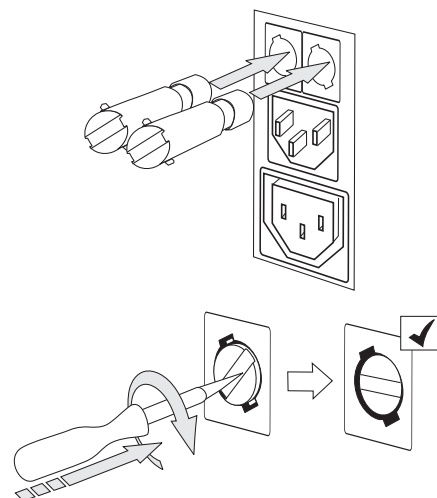


Fig. 7-1 Apertura del portafusibili

Norme del produttore

Test da eseguire durante l'ispezione



8 Ispezione annuale

Il produttore prescrive che il personale specializzato o un tecnico biomedicale sottoponga regolarmente il sistema a un'ispezione funzionale e tecnica ai fini della sicurezza. Tali ispezioni devono essere eseguite a cadenza annuale. Le ispezioni regolari possono contribuire a rilevare tempestivamente eventuali anomalie, aumentando in tal modo la sicurezza e la durata utile del sistema.

I seguenti test, appositamente messi a punto per il personale specializzato o il tecnico biomedicale, consentono di controllare facilmente il funzionamento, le funzioni e l'idoneità all'uso del sistema. Ogni esecuzione di un test deve essere documentata nel protocollo di verifica e accompagnata da data e firma dell'esecutore.

PERICOLO!

In caso di superamento dei parametri e delle tolleranze indicati, inviare il sistema a Hologic per la revisione.

8.1 Test di sicurezza

1. Eseguire un controllo visivo, verificando che:
 - il fusibile corrisponda al valore indicato dal produttore,
 - le scritte e gli adesivi applicati sul sistema siano ben leggibili,
 - le condizioni meccaniche consentano un funzionamento sicuro,
 - non vi siano tracce di sporco che possano compromettere la sicurezza del sistema.
2. Eseguire la misurazione della corrente di fuga verso terra (max. 500 μ A) e della corrente di contatto (max. 100 μ A in stato normale e max. 500 μ A al primo errore) secondo la norma IEC 60601-1 / EN 60601-1.
3. Eseguire la misurazione della resistenza del conduttore di protezione secondo la norma IEC 60601-1 / EN 60601-1. La misurazione della resistenza del conduttore di protezione deve essere eseguita con cavo di alimentazione collegato. Il valore massimo è 0,2 Ω .

In alternativa è possibile eseguire il test di sicurezza secondo la norma DIN EN 62353.

8.2 Test delle funzioni di base

Nelle verifiche delle funzioni di base vengono controllati gli indicatori, i tasti e le prestazioni generali del sistema. Per questo test sono necessari:

- Set di tubi per flusso in ingresso Aquilex
- Sacche di liquido
- Contenitore graduato con scala da 1 litro
- Cronometro
- Pesi di precisione (ad es. Ohaus 1 kg 49016-11 o 41000-00, oppure equivalente)

8.3 Test dell'unità di pesatura

1. Accendere il sistema.
2. Non appena compare l'indicazione **Insert Tube Set** (Inserire il set di tubi), premere contemporaneamente il tasto **Pause/Resume** (Pausa/Riprendi) e il tasto **Zero**.
3. Sull'indicatore della pompa compare il messaggio **Scale Test** (Test dell'unità di pesatura).
4. Posizionare un peso di precisione sull'unità di pesatura (500 g - 2000 g)
5. L'indicatore della soglia di deficit di liquido indica il peso.
6. La tolleranza ammissibile è ± 20 g.
7. Se si riscontra una discrepanza maggiore, è necessario far eseguire una nuova calibrazione ad un tecnico del servizio di assistenza.
8. Rimuovere il peso dall'unità di pesatura.
9. Premere il tasto **Pause/Resume** (Pausa/Riprendi) per terminare questo test.

Registrare i risultati nel protocollo di verifica del capitolo 15.1. Il test può considerarsi riuscito se i risultati sono compresi entro i limiti di tolleranza ammessi.

8.4 Test della portata di flusso

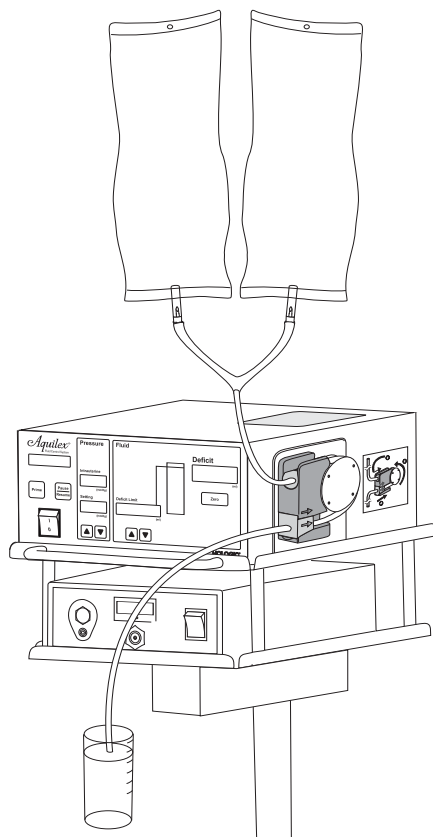


Fig. 8-1 Test della portata di flusso

IT

La struttura di prova è illustrata in Fig. 8-1, Test della portata di flusso.

Esecuzione del test della portata di flusso

1. Accendere il sistema. (Vedere il capitolo 5.4, Accensione del sistema Aquilex).
2. Inserire il set di tubi nella pompa e collegare le fascette alle sacche.
3. Appendere le sacche ai ganci del relativo supporto.
4. Inserire i raccordi conici nelle sacche e aprire le fascette delle sacche.
5. Appendere il tubo dell'isteroscopio al contenitore graduato.
6. Impostare la pressione intrauterina nominale a 150 mmHg.
7. Premere il tasto **Prime**.
8. La ruota inizia a girare per rimuovere l'aria dai tubi ed eseguire la calibrazione automatica del lume.
9. Quando la calibrazione automatica del lume è terminata (circa 20 secondi), premere il tasto **Pause/Resume** (Pausa/Riprendi).
10. Svuotare il recipiente graduato.
11. Appendere di nuovo il tubo dell'isteroscopio al contenitore graduato.
12. Premere il tasto **Pause/Resume** (Pausa/Riprendi).
13. Dopo un minuto, premere il tasto **Pause/Resume** (Pausa/Riprendi). A questo punto, nel recipiente graduato si dovrebbero trovare circa 800 ml di liquido.
14. Il limite di tolleranza ammissibile è ± 25 ml/min.

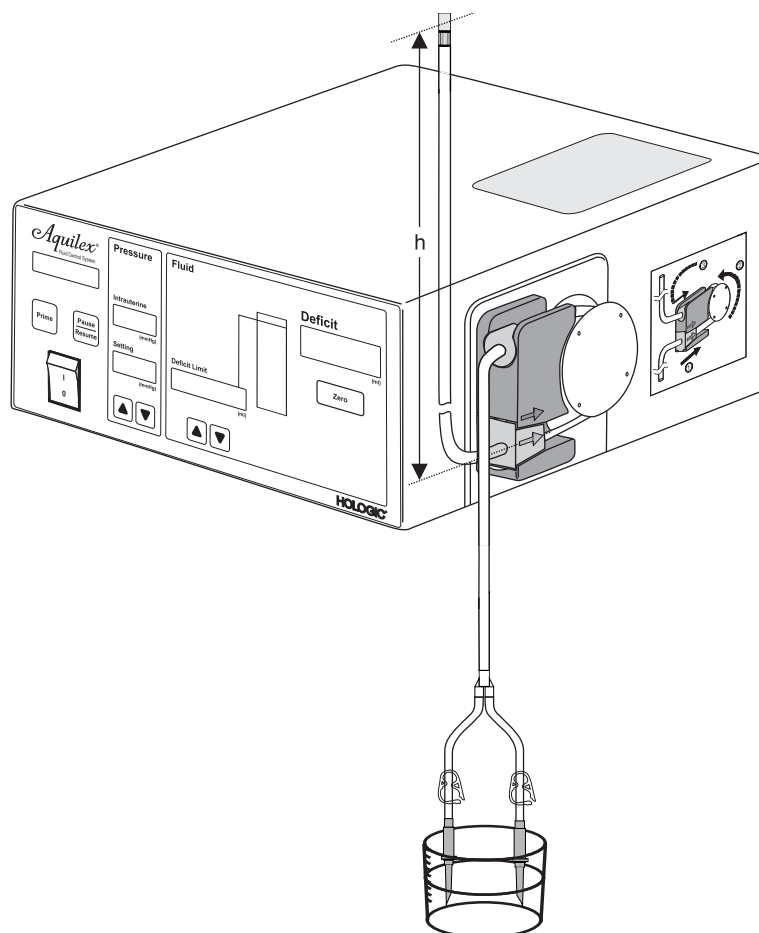
Registrare i risultati nel protocollo di verifica del capitolo 15.1. Il test può considerarsi riuscito se i risultati sono compresi entro i limiti di tolleranza ammessi.

8.5 Test di misurazione della pressione

La struttura di prova è illustrata in Fig. 8-2.

Fig. 8-2 Struttura di prova per la misurazione della pressione

h Altezza del livello d'acqua



Nel test della pressione si controllano la camera a pressione, il sensore di pressione e la precisione della misurazione della pressione, per verificare che tutti gli elementi funzionino correttamente. Per eseguire tale verifica sono necessari un set di tubi per il flusso in ingresso e un contenitore riempito con **acqua**. L'altezza della colonnina d'acqua (pressione idrostatica) viene utilizzata per testare il rilevatore di pressione.

1. Appendere l'estremità del tubo per il flusso in ingresso con i raccordi conici a un contenitore riempito con acqua.
2. Riempire l'estremità del tubo completamente con acqua avviando la pompa con il tasto **Prime**. Fare funzionare la pompa fino al termine calibrazione. Premere il tasto **Pause/Resume** (Pausa/Riprendi) per bloccare la ruota. L'indicatore della pressione intrauterina reale segna 0 mmHg.
3. Chiudere l'estremità del tubo dell'isteroscopio (ponendo un dito sulla punta del connettore Luer).
4. Mantenere il livello dell'acqua dell'estremità del tubo dell'isteroscopio (h) 30 cm al di sopra della camera a pressione. La colonnina d'acqua esercita una pressione idrostatica sul rilevatore di pressione.
5. Staccare il dito dall'estremità del tubo dell'isteroscopio.
6. L'indicatore della pressione intrauterina reale dovrebbe indicare 20 mmHg (± 5 mmHg).
7. Modificare l'altezza della colonnina d'acqua. Il valore riportato sull'indicatore della pressione intrauterina reale dovrebbe modificarsi in modo corrispondente.

Registrare i risultati nel protocollo di verifica del capitolo 15.1. Il test può considerarsi riuscito se i risultati sono compresi entro i limiti di tolleranza ammessi.

8.6 Test della misurazione del deficit di liquido

La struttura di prova è illustrata in Fig. 8-3. È molto importante che il recipiente di recupero sia posizionato nell'unità di pesatura, come indicato in Fig. 8-3.

1. Se sono stati condotti i test delle funzioni di base da 8.3 a 8.5, andare al passo 2. In caso contrario, vedere Test delle funzioni di base 8.4 passi da 1 a 11.
2. Portare l'indicazione del deficit di liquido su "Zero" premendo il tasto **Zero** (vedere Fig. 5-2, ⑨).
3. Premere il tasto **Pause/Resume** (Pausa/Riprendi).
4. Fare funzionare il sistema per 1 minuto. Nel recipiente dovrebbero trovarsi circa 800 ml di liquido, mentre l'indicazione del deficit di liquido dovrebbe indicare circa 0.
5. La tolleranza ammissibile è ± 50 .

Registrare i risultati nel protocollo di verifica del capitolo 15.1. Il test può considerarsi riuscito se i risultati sono compresi entro i limiti di tolleranza ammessi.

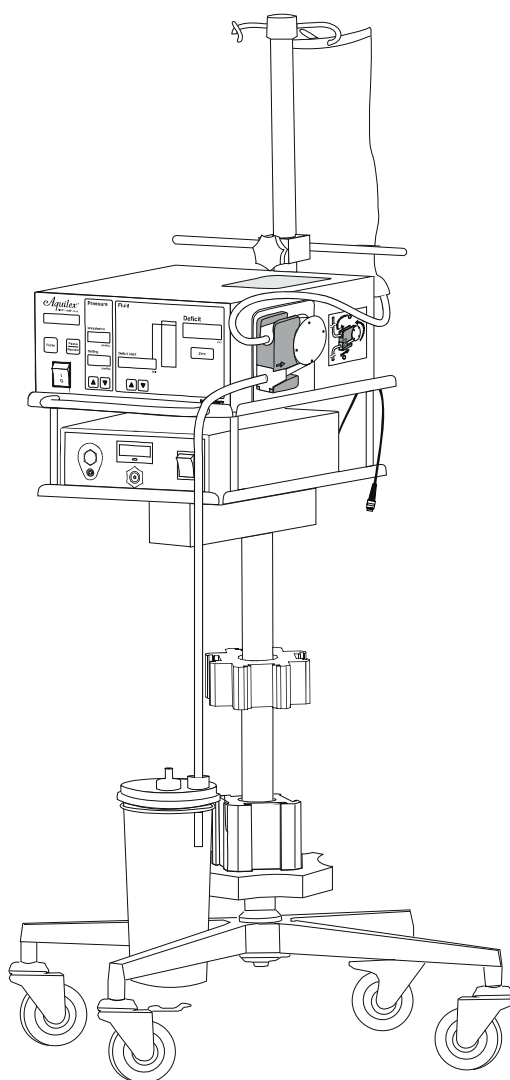


Fig. 8-3 Struttura di prova della misurazione del deficit di liquido

IT

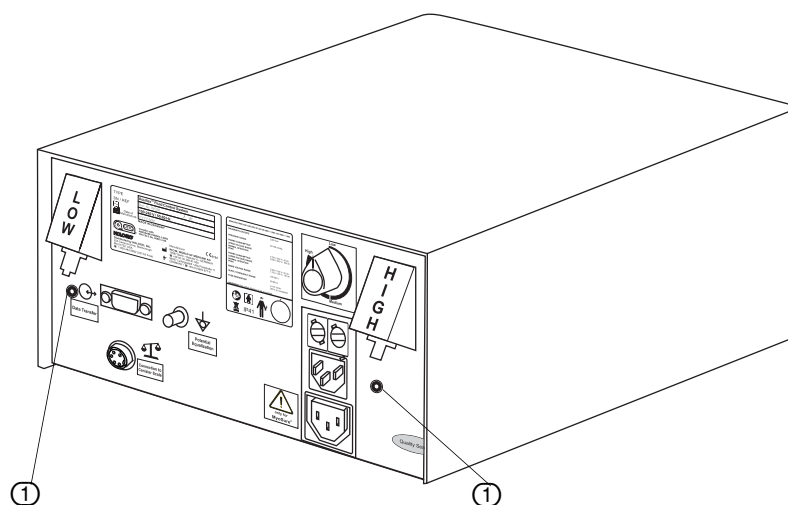
8.7 Test della pompa a depressione

Questo test non è previsto come test di rendimento per la misurazione della sottopressione. Il test indica soltanto se la pompa a depressione è in grado di funzionare.

1. Se sono stati condotti i test delle funzioni di base da 8.3 a 8.5, andare al passo 2. In caso contrario, vedere Test delle funzioni di base 8.4 passi da 1 a 9.
2. Controllare che nel contenitore sia aperto almeno un collegamento.
3. Premere il tasto **Pause/Resume** (Pausa/Riprendi).
4. Porre un dito sulle aperture di aspirazione dorate (Fig. 8-4, ①) situate sul retro della pompa e percepire il flusso d'aria.

Registrare i risultati nel protocollo di verifica del capitolo 15.1. Il test può considerarsi riuscito se si percepisce il flusso d'aria.

Fig. 8-4 Aperture di aspirazione della pompa a depressione



9 Messaggi di errore e di avvertimento

I messaggi sono visualizzati sull'indicatore della pompa e vengono emessi segnali acustici. I segnali acustici che indicano messaggi di avvertimento o relativi al funzionamento vengono emessi più volte.

Messaggio sull'indicatore della pompa	Segnali acustici	Procedura da seguire
Check Tube Set Installation (Controllo dell'installazione del set di tubi)	1 segnale acustico	Prelevare il set di tubi e reinserirlo. Se appare nuovamente il messaggio, inserire un nuovo set di tubi.
Tube Set Over Usage Limits (Set di tubi usato)	1 segnale acustico	Il rilevamento del set di tubi indica che il set di tubi è già stato utilizzato. Inserire un nuovo set di tubi.
Check Flow Path, Stopcock, Clamps (Controllare percorso flusso, rubinetto d'intercettazione e fascette)	3 segnali acustici	Il percorso del flusso è bloccato. Controllare che le fascette della sacca e il rubinetto d'intercettazione dell'isteroscopia siano aperti. Verificare che il set di tubi non sia bloccato.
Incorrect Tube Set (Set di tubi errato)	1 segnale acustico	Sostituire il set di tubi. Il set di tubi non corrisponde al tipo ammesso per il sistema Aquilex.
Pump paused, Press Resume (Arrestare pompa, premere Resume)	1 segnale acustico	Il tasto "Pause/Resume" è stato attivato. Premere di nuovo il tasto "Pause/Resume" per continuare il funzionamento.
Container Change (Sostituzione del contenitore, premere Resume)	3 segnali acustici	Rimuovere i contenitori senza avere premuto il tasto "Pause". Applicare i nuovi contenitori e premere il tasto "Pause/Resume".
Pause Pump for Container Change (Arrestare pompa per sostituzione contenitore)	3 segnali acustici	Il contenitore è stato rimosso senza avere prima premuto il tasto "Pause/Resume" (Pausa/Riprendi). Agganciare il contenitore vuoto e premere il tasto "Pause/Resume" (Pausa/Riprendi).
Overpressure Open Stopcock (Sovrapressione, aprire il rubinetto d'intercettazione)	3 segnali acustici	Nella maggior parte dei casi, questo messaggio compare quando il rubinetto d'intercettazione dell'isteroscopia è chiuso e la pompa funziona alla portata di flusso massima. Aprire il rubinetto d'intercettazione dell'isteroscopia oppure rimuovere l'eventuale occlusione per scaricare la pressione.
Overpressure Check Stopcock (Sovrapressione, controllare il rubinetto d'intercettazione)	5 segnali acustici, ripetizione costante fino all'avvenuta riduzione della pressione	La pressione ha superato la soglia di sicurezza di 200 mmHg e deve essere ridotta. La causa più frequente è un rubinetto d'intercettazione dell'isteroscopia chiuso mentre la pompa funziona alla portata di flusso massima. Aprire il rubinetto d'intercettazione di afflusso all'isteroscopia oppure rimuovere l'occlusione che ostruisce il set di tubi per il flusso in ingresso.
Maximum Pressure (Pressione massima)	Nessun segnale acustico	Il messaggio "Maximum Pressure" (Pressione massima) compare quando la pressione intrauterina reale è superiore a 150 mmHg.
Deficit Limit Reached (Soglia di deficit raggiunta)	3 segnali acustici	Le misure da adottare sono a discrezione del medico.
Deficit Limit Exceeded (Soglia di deficit superata)	3 segnali acustici	Le misure da adottare sono a discrezione del medico. Se necessario, eseguire il controllo manuale del deficit.

Messaggi di errore e di avvertimento

Messaggio sull'indicatore della pompa	Segnali acustici	Procedura da seguire
Pressure Threshold (Soglia di pressione)	1 segnale acustico	Per eseguire un'isteroscopia di solito non sono necessarie pressioni superiori a 100 mmHg. Si raccomanda di monitorare attentamente il deficit di liquido.
Connect Scale Restart System (Collegare unità di pesatura, riavviare il sistema)	3 segnali acustici	Controllare il collegamento dell'unità di pesatura. Collegare di nuovo l'unità di pesatura e riavviare l'apparecchio. Se appare nuovamente il messaggio, rivolgersi a Hologic.
Remove Tube Set for System Check (Rimuovere set di tubi per test sistema)	1 segnale acustico	Durante il test del sistema, non deve essere presente alcun set di tubi sulla ruota. Rimuovere il set di tubi, quindi attendere l'emissione del segnale acustico e la comparsa del messaggio "Insert Tube Set" (Inserire set di tubi).
Prime Fail-Open Stopcock, Clamps (Prime fallito; aprire rubinetto d'intercettazione e fascette)	3 segnali acustici	Controllare che le fascette della sacca e il rubinetto d'intercettazione dell'isteroscopia siano aperti. Premere il tasto "Prime" per riavviare.
High Fluid Loss Check Leakage (Perdita di liquido elevata, controllare eventuali perdite)	3 segnali acustici	Le misure da adottare sono a discrezione del medico. Se necessario, eseguire il controllo manuale del deficit.
Scale Overload Scale Check (Unità di pesatura sovraccarica, controllare unità di pesatura)	3 segnali acustici	Il peso sull'unità di pesatura è superiore a 30 kg (65 lb). Ridurre il peso sull'unità di pesatura. Il sistema riprende a funzionare non appena il peso in eccesso è stato rimosso.
Communication Error (Errore di comunicazione)	5 segnali acustici	Rivolgersi all'Assistenza tecnica di Hologic.
Calibration Error (Errore di calibrazione)	5 segnali acustici	Rivolgersi all'Assistenza tecnica di Hologic.
Sensor Error (Errore sensore)	5 segnali acustici	Rivolgersi all'Assistenza tecnica di Hologic.
Motor Error (Errore motore)	5 segnali acustici	Rivolgersi all'Assistenza tecnica di Hologic.
Low Vac Failed Use Alternative (Guasto basso vuoto; utilizzare alternativa)	3 segnali acustici	Per proseguire l'intervento occorre utilizzare una sorgente alternativa per il basso vuoto. Rivolgersi all'Assistenza tecnica di Hologic.
High Vac Failed Use Alternative (Guasto alto vuoto; utilizzare alternativa)	3 segnali acustici	Per proseguire l'intervento occorre utilizzare una sorgente alternativa per l'alto vuoto. Rivolgersi all'Assistenza tecnica di Hologic.
Vac Systems Out Use Alternative (Guasto sistema del vuoto; utilizzare alternativa)	3 segnali acustici	Per proseguire l'intervento occorre utilizzare una sorgente di vuoto alternativa. Rivolgersi all'Assistenza tecnica di Hologic.

10 Dati tecnici

Tipo di apparecchio o denominazione del tipo		AQL-100		
Range della tensione di rete [V]		100-240 V		
Range della frequenza di alimentazione [Hz]		50-60 Hz		
Caratteristiche dei fusibili		2 x T 3,15 AH, 250 V, omologazione UL		
Potenza assorbita		Corrente [A]	Tensione [V]	Potenza assorbita [VA/W]
Range di tensione superiore				
	Funzionamento normale	0,19 A	240 V	45 VA
	Picco	0,69 A	240 V	165 VA
Range di tensione inferiore				
	Funzionamento normale	0,52 A	100 V	52 VA
	Picco	1,70 A	100 V	170 VA
Classe di protezione (I, II, III)		I		
Tipo di parte applicata (B, BF, CF)		Concepito per un sistema con classificazione BF		
Protezione defibrillatore (sì / no)		No		
Classe di protezione (codice IP)		IP41 (pompa), IP21 (unità di pesatura)		
Classificazione (I, IIa, IIb, III) secondo l'Appendice IX della MDD europ. (direttiva europea sui dispositivi medici)		IIb		
Conformità con le seguenti norme:		EN 60601-1-2:2006 / IEC 60601-1-2:2005 EN 60601-1-2:2007 / IEC 60601-1-2:2007		
Condizioni di funzionamento		da 10 a 40°C / da 50 a 104°F Umidità relativa dell'aria dal 30 al 75% Pressione atmosferica da 70 a 106 kPa Altitudine max. (msl) di 3000 m		
Possibile impiego con gas anestetici esplosivi		Questo sistema non è previsto per l'uso con gas anestetici esplosivi (classe AP) o gas anestetici esplosivi con ossigeno (classe APG).		
Condizioni di stoccaggio e trasporto		da -20 a +70 °C / da -4 a +158 °F Umidità relativa dell'aria dal 10 al 90% Pressione atmosferica da 70 a 106 kPa		
Rumorosità max.		< 80 dB(a)		
Carico massimo		30 kg (65 lb)		
Valori regolabili				
	Range di pressione [mmHg]	40-150 mmHg		
Range di misura				
	Portata [ml/min.]	0-800 ml/min.		
	Pressione [mmHg]	0-500 mmHg		
	Deficit [ml]	-995/+9.995		
Esattezza, ripetibilità				
	Portata [ml/min.]	±5 ml/min.		
	Pressione [mmHg]	±2 mmHg		
	Deficit [ml]	±10 ml		
Dimensioni		Larghezza x altezza x profondità [mm] 300 mm x 140 mm x 300 mm (AQL-100P), 670 mm x 1320 mm x 670 mm (AQL-100CS)		
Peso [lb], [kg]		13 lb [5,8 kg] (AQL-100P), 23 lb [10,5 kg] (AQL-100CS)		

IT

Dati tecnici

Esattezza		
	Portata [% valori misurati]	± 7 %
	Pressione [mmHg]	$\pm 7,5$ mmHg
	Deficit [% valori misurati]	± 10 %
Interfacce:		
	Segnale ON/OFF per componenti	1 x attacco unità di pesatura (presa flangiata/presa collegamento tonda con 5 connettori/RS232) 1 x attacco di servizio (presa RS232 DSUB9/RS232)
	Cavo di collegamento alla rete	IEC-60320-1 C14

11 Istruzioni e dichiarazione del produttore sulla compatibilità elettromagnetica

11.1 Influenza di dispositivi di comunicazione mobili e portatili ad alta frequenza

Le radiazioni di energia ad alta frequenza, emanate da dispositivi di comunicazione mobili, possono compromettere il funzionamento dell'apparecchio elettrico ad uso medicale. L'utilizzo di tali dispositivi (ad es. telefoni cellulare, telefoni GSM) in prossimità di apparecchi elettrici medicali non è consentito.

11.2 Collegamenti elettrici



Le connessioni elettriche contrassegnate da questo simbolo non devono essere toccate. Non realizzare collegamenti tra prese e relative spine senza che prima siano state adottate le necessarie misure di protezione ESD.

Le misure di protezione ESD sono le seguenti:

- Realizzazione del collegamento equipotenziale (PE) per tutti gli apparecchi da collegare (se disponibile sull'apparecchio)
- Uso esclusivo degli accessori indicati.

Il personale deve essere informato e istruito in merito alle misure di protezione ESD.

Misure di protezione ESD

11.3 Guida e dichiarazione del produttore - Emissioni elettromagnetiche

L'Aquilex Fluid Control System è stato progettato per funzionare in un ambiente elettromagnetico come quello descritto qui di seguito. L'utilizzatore dell'Aquilex Fluid Control System dovrebbe assicurarsi che esso venga utilizzato in tale ambiente.

Misurazioni delle emissioni di disturbo	Conformità	Linee guida – ambiente elettromagnetico
Emissione AF secondo CISPR11	Gruppo 1	L'Aquilex Fluid Control System utilizza energia RF solo per il suo funzionamento interno. Per questo motivo, le sue emissioni ad alta frequenza sono minime ed è improbabile che interferiscano con gli apparecchi elettrici circostanti.
Emissione AF secondo CISPR11	Classe B	L'Aquilex Fluid Control System è adatto per l'uso in tutti gli edifici, compresi gli edifici domestici e quelli direttamente collegati alla rete di alimentazione pubblica in bassa tensione che alimenta edifici per uso domestico.
Emissioni di armoniche secondo CEI 61000-3-2	Classe A	
Emissioni di oscillazioni di tensione / flicker secondo CEI 61000-3-3	Conforme	

11.4 Guida e dichiarazione del produttore - Immunità elettromagnetica


L'Aquilex Fluid Control System è stato progettato per funzionare in un ambiente elettromagnetico come quello descritto qui di seguito. L'utilizzatore dell'Aquilex Fluid Control System dovrebbe assicurarsi che esso venga utilizzato in tale ambiente.

Controlli di immunità alle interferenze	Livello di prova	Conformità	Linee guida – ambiente elettromagnetico
Scarica elettrostatica (ESD) secondo CEI 61000-4-2	± 6 kV scarica a contatto ± 8 kV scarica in aria	Conforme	I pavimenti dovrebbero essere in legno o cemento oppure piastrellati in ceramica. Se il pavimento è ricoperto di materiale sintetico, l'umidità relativa dell'aria dovrebbe essere almeno del 30%.
Grandezze di interferenza elettrica a passaggio rapido / burst secondo CEI 61000-4-4	± 2 kV per cavi di rete ± 1 kV per cavi in ingresso e uscita	Conforme	La qualità della tensione di rete dovrebbe corrispondere a quella di un tipico ambiente commerciale o ospedaliero.
Tensioni a impulso (Surges) secondo CEI 61000-4-5	± 1 kV tensione in controfase ± 2 kV tensione sincrona	Conforme	La qualità della tensione di rete dovrebbe corrispondere a quella di un tipico ambiente commerciale o ospedaliero.
Cali di tensione, interruzioni brevi e sbalzi della tensione di alimentazione secondo CEI 61000-4-11	< 5% U_T^* (> 95% calo di U_T) per 1/2 periodo	Conforme	La qualità della tensione di rete dovrebbe corrispondere a quella di un tipico ambiente commerciale o ospedaliero. Se l'utente del sistema desidera continuare a utilizzare l'apparecchio anche in caso di interruzioni dell'alimentazione, si consiglia di prevedere un gruppo di continuità.
	40% U_T (60% calo di U_T) per 5 periodi		
	70% U_T (30% calo di U_T) per 25 periodi		
	< 5% U_T (> 95% calo di U_T) per 5 periodi		
Campo magnetico per la frequenza di alimentazione (50/60 Hz) secondo CEI 61000-4-8	3 A/m	Conforme	I campi magnetici nella frequenza di rete dovrebbero corrispondere ai valori tipici che si rilevano anche in ambienti commerciali ed ospedalieri.

*Nota: U_T corrisponde alla tensione alternata prima dell'applicazione dei livelli di controllo.

IT

11.5 Guida e dichiarazione del produttore - Immunità elettromagnetica

Controlli di immunità alle interferenze	Livello di prova	Conformità	Linee guida – ambiente elettromagnetico
Interferenze AF condotte su linee secondo CEI 61000-4-6	3 V _{eff} da 150 kHz a 80 MHz	Conforme	<p>Gli apparecchi di comunicazione a RF portatili e mobili, cavi inclusi, non devono essere utilizzati in prossimità dell'Aquilex Fluid Control System ad una distanza inferiore a quella di sicurezza raccomandata, calcolata secondo l'equazione applicabile alla frequenza di trasmissione. Distanze di sicurezza consigliate: $d = 1,2\sqrt{P}$ per 150 KHz - 80 MHz $d = 1,2\sqrt{P}$ per 80 MHz - 800 MHz $d = 2,3\sqrt{P}$ per 800 MHz - 2,5 GHz</p> <p>P è la potenza nominale del trasmettitore espressa in Watt [W], conformemente alle indicazioni del produttore, e d è la distanza di sicurezza consigliata espressa in metri [m].</p> <p>Per tutte le frequenze e in base a un'indagine condotta sul posto ^a, l'intensità di campo di radiotrasmettitori fissi deve essere inferiore al livello di conformità. ^b</p> <p>Nelle vicinanze di apparecchi recanti il seguente simbolo, è possibile rilevare interferenze.</p> 
Interferenze AF irradiate secondo CEI 61000-4-3	3 V/m da 80 MHz a 2,5 GHz	Conforme	

Nota 1: per 80 e 800 MHz vale la gamma di frequenze più elevata.

Nota 2: queste linee guida non hanno validità assoluta. La diffusione delle grandezze elettromagnetiche subisce l'influenza degli assorbimenti e delle riflessioni di edifici, oggetti e persone.

^a L'intensità di campo dei trasmettitori fissi (quali le stazioni base di radiotelefoni e telefoni cellulari, le stazioni radio amatoriali, le stazioni radio e televisive in AM e FM) non può in teoria essere calcolata con precisione. Per calcolare l'ambiente elettromagnetico in relazione a trasmettitori fissi, occorre prendere in considerazione uno studio del posto. Se l'intensità di campo, misurata sul posto nel quale viene utilizzato l'Aquilex Fluid Control System, supera i suddetti livelli di conformità, l'Aquilex Fluid Control System deve essere controllato per verificarne il corretto funzionamento. Qualora dovessero insorgere situazioni insolite, potrebbe

rendersi necessario adottare ulteriori misure, quali una modifica della collocazione dell'Aquilex Fluid Control System.

^b Per una gamma di frequenze compresa tra 150 kHz e 80 MHz, l'intensità di campo dovrebbe essere inferiore a 3 V/m.

11.6 Distanze di sicurezza raccomandate tra apparecchi di telecomunicazione ad alta frequenza portatili e mobili e l'Aquilex Fluid Control System

L'Aquilex Fluid Control System è idoneo all'impiego in ambiente con campo elettromagnetico in cui le interferenze ad alta frequenza siano controllate. L'utilizzatore dell'Aquilex Fluid Control System può contribuire ad evitare disturbi elettromagnetici rispettando la distanza minima tra gli apparecchi di telecomunicazione ad alta frequenza portatili e mobili (trasmettitori) e l'Aquilex Fluid Control System - in funzione della potenza in uscita dell'apparecchio di comunicazione, come indicato in basso.

Potenza nominale del trasmettitore [W]	Distanza di sicurezza in funzione della frequenza di trasmissione [m]		
	da 150 kHz a 80 MHz $d = 1,2\sqrt{P}$	da 80 MHz a 800 MHz $d = 1,2\sqrt{P}$	da 800 MHz a 2,5 GHz $d = 2,3\sqrt{P}$
0,01	0,12	0,12	0,23
0,1	0,38	0,38	0,73
1	1,2	1,2	2,3
10	3,8	3,8	7,3
100	12	12	23

Per trasmettitori con potenza nominale massima di uscita non indicata nella tabella sopra riportata, la distanza di separazione raccomandata d espressa in metri [m] può essere calcolata usando l'equazione di ciascuna colonna, dove P è la potenza nominale massima del trasmettitore espressa in Watt [W] secondo quanto dichiarato dal produttore del trasmettitore.

Nota 1: per 80 e 800 MHz vale la gamma di frequenze più elevata.

Nota 2: queste linee guida non hanno validità assoluta. La diffusione delle grandezze elettromagnetiche subisce l'influenza degli assorbimenti e delle riflessioni di edifici, oggetti e persone.

12 Lista degli accessori

Sono disponibili i seguenti gruppi di accessori:

Articolo	Codice di ordinazione
Set di tubi completo per Aquilex Fluid Control System (flusso in ingresso e flusso in uscita)	AQL-112
Set di tubi per Aquilex Fluid Control System per vuoto (alto e basso)	AQL-114
Anelli contenitori per Aquilex Fluid Control System	AQL-200
Cavo di alimentazione per MyoSure® Aquilex Fluid Control System	AQL-213
Cavo di alimentazione per Aquilex Fluid Control System (US)	AQL-215
Cavo di alimentazione per Aquilex Fluid Control System (UK)	AQL-216
Cavo di alimentazione per Aquilex Fluid Control System (UE)	AQL-217

13 Informazioni relative alla garanzia

Hologic garantisce al compratore originale dell'Aquilex Fluid Control System l'assenza di difetti per quanto concerne i materiali e la manodopera, a condizione che il sistema sia impiegato secondo l'uso previsto alle normali condizioni operative, nonché nel rispetto delle istruzioni per l'uso e la manutenzione. L'obbligo di Hologic nell'ambito della presente garanzia si limita alla riparazione o alla sostituzione gratuita, a discrezione di Hologic, entro un anno dalla data di acquisto. In alternativa, Hologic può rimborsare il compratore originale con una somma o tramite una nota di accredito corrispondente al prezzo di acquisto del sistema difettoso.

LA PRESENTE GARANZIA ANNULLA E SOSTITUISCE OGNI ALTRA GARANZIA, ESPLICITA O IMPLICITA, DI COMMERCIALIZZABILITÀ E IDONEITÀ ALL'USO, NONCHÉ OGNI ALTRO OBBLIGO O RESPONSABILITÀ DA PARTE DI HOLOGIC. L'OBBLIGO COMPLESSIVO DI GARANZIA DI HOLOGIC È ESPRESSAMENTE LIMITATO ALLA RIPARAZIONE

O ALLA SOSTITUZIONE (A DISCREZIONE DI HOLOGIC E NELLA FORMA

ORIGINARIAMENTE SPEDITA) DELL'APPARECCHIO O ALLA REVISIONE DEL SERVIZIO OPPURE, A DISCREZIONE DI HOLOGIC, AL RISARCIMENTO DEL CLIENTE MEDIANTE RESTITUZIONE DEL PAGAMENTO O ACCREDITO DI UN IMPORTO CORRISPONDENTE AL PREZZO O ALL'ONORARIO DI HOLOGIC. TALE LIMITAZIONE DI GARANZIA SI APPLICA ESCLUSIVAMENTE AL COMPRATORE ORIGINALE E NON VIENE ESTESA, SENZA ECCEZIONI, A TERZI, NEMMENO A CLIENTI DEL COMPRATORE. LA PRESENTE GARANZIA DECADE QUALORA IL PRODOTTO VENGA CEDUTO DAL COMPRATORE A UN SOGGETTO CHE ACQUISTI MENO DEL CINQUANTA (50) PERCENTO DI PROPRIETÀ DEL PRODOTTO STESSO. LA PRESENTE GARANZIA NON SI APPLICA A UN SISTEMA AQUILEX O UN AQUILEX FLUID CONTROL SYSTEM CHE È STATO ESPOSTO A SINISTRO, NEGLIGENZA, MODIFICHE O USO IMPROPRIO OPPURE CHE È STATO RIPARATO, SPOSTATO O MODIFICATO DA UNA PERSONA NON AUTORIZZATA DA HOLOGIC. HOLOGIC NON SI ASSUME ALCUNA GARANZIA PER ACCESSORI O COMPONENTI UTILIZZATI CON L'AQUILEX FLUID CONTROL SYSTEM MA NON FORNITI E/O PRODOTTI DA HOLOGIC. AI SENSI DELLA PRESENTE GARANZIA, CON IL TERMINE "COMPRATORE ORIGINALE" SI INTENDE LA PERSONA O L'ORGANIZZAZIONE E I RELATIVI COLLABORATORI, SE PRESENTI, A CUI HOLOGIC HA VENDUTO IL SISTEMA AQUILEX.

Assistenza tecnica e informazioni per restituzioni

Se l'Aquilex Fluid Control System non funziona correttamente, rivolgersi all'Assistenza tecnica di Hologic. Nel caso in cui si debba rispedire l'apparecchio a Hologic per qualsiasi motivo, l'Assistenza tecnica assegnerà al prodotto un numero RMA (Returned Materials Authorization, autorizzazione materiali resi). Rispedire il sistema Aquilex secondo le istruzioni dell'Assistenza tecnica. Prima della spedizione, pulire accuratamente il sistema Aquilex con un panno pulito, inumidito con un germicida o isopronanolo.

Hologic e i propri centri di distribuzione e clienti nella Comunità Europea sono soggetti alla Direttiva RAEE 2002/96/CE relativa ai rifiuti derivanti da apparecchi elettrici ed elettronici. Hologic si impegna inoltre a rispettare i requisiti specifici del paese per quanto riguarda lo smaltimento dei propri prodotti. Obiettivo dichiarato di Hologic è la riduzione dei rifiuti derivanti dallo smaltimento di apparecchi elettrici ed elettronici. Hologic è consapevole del beneficio derivante dal potenziale riutilizzo, ricondizionamento o riciclaggio di tali apparecchi, al fine di ridurre la quantità di sostanze pericolose immesse nell'ambiente. I clienti di Hologic all'interno della Comunità Europea sono tenuti a non smaltire nei rifiuti domestici i dispositivi medici recanti il seguente simbolo (ai sensi della direttiva RAEE), a meno che non esista un'autorizzazione in tal senso emanata dalle autorità locali.



Rivolgersi all'Assistenza tecnica di Hologic per disporre lo smaltimento a norma di legge del sistema Aquilex, in conformità con la Direttiva RAEE.

Assistenza Tecnica Hologic

Stati Uniti e Canada:

Telefono: 1.800.442.9892 (numero gratuito) o 1.508.263.2900

Fax: 1.508.229.2795

Incaricato UE:

Telefono: +32 2 255 17 74

14 Glossario

Termine	Spiegazione
Embolia	Improvvisa chiusura di un vaso sanguigno dovuta a un embolo
Portata di flusso	Quantità (in ml) di liquido di irrigazione che fluisce al minuto attraverso il set di tubi
Ipervolemia	Aumento della quantità di sangue in circolazione
Iponatriemia	Ridotta concentrazione di sodio (< 130 mmol/l) nel sangue del paziente
Isteroscopia	Endoscopia per esaminare l'utero
Pressione intrauterina	Pressione nella cavità uterina
Intravasazione	Penetrazione di corpi estranei in un vaso sanguigno
Contaminazione	Contagio di locali, acqua, alimenti, oggetti o persone da parte di microorganismi o sostanze radioattive, veleni biologici o sostanze chimiche
Controindicazione	Situazioni (ad es. età, gravidanza in corso, una particolare malattia o trattamento farmacologico) che non consentono di adottare una misura normalmente indicata (si contrappongono a un'indicazione)
Soluzione fisiologica	Soluzione salina isotonica, ossia un litro (l) contiene 9,0 grammi (g) di cloruro di sodio
Sindrome di TUR	Sindrome da resezione transuretrale

15 Appendice
15.1 Protocollo di verifica

Data	Test eseguiti	Risultato	Nota	Firma

Indice alfabetico**A**

Ambito di applicazione 5
Ambito di applicazione tecnico 10
Apertura della confezione esterna 23
Aumento del deficit >300 ml/min 27

B

Bilanciamento preciso 16

C

Capacità dell'unità di pesatura 16
Caricamento/scaricamento unità di pesatura in funzione 27
Certificazione 28
Collegamento a una presa 12
Collegamento delle sacche di liquido 23
Collegamento equipotenziale 12
Contatto di protezione 12
Controindicazioni 5
Cura e manutenzione 4, 28

D

Diritto federale americano 4

E

Esecuzione del test della portata di flusso 31
Esonero da responsabilità 4

G

Grave errore del sistema 27

I

Impostazione della pressione alla riaccensione 27
Informazione valida esclusivamente per utenti negli Stati Uniti 12
Inserire il set di tubi 23

M

Misurazione e regolazione della pressione 10
Misure di protezione ESD 39
Misure precauzionali 12

N

Norme del produttore 30

P

Prima configurazione del sistema 12

R

Rilevamento del set di tubi 19
Riserva di modifiche tecniche 3

S

Smaltimento 4
Soglia di sicurezza 24

T

Tecnici del servizio di assistenza autorizzati 4
Test da eseguire durante l'ispezione 30

U

Unità di pesatura sovraccarica 27
Uso conforme 4

Inhoudsopgave

1	Belangrijke gebruiksinstructies	3
2	Veiligheidsinstructies	4
3	Gebruiksdoel	5
3.1	Waarschuwingen en voorzorgsmaatregelen	5
3.1.1	Gevaren	5
3.1.2	Voorzorgsmaatregelen	10
3.2	Beschrijving van het Aquilex Fluid Control System	10
4	Eerste keer opbouwen van het systeem	12
4.1	Vorbereiden van het systeem	12
4.2	Systeemopbouw	13
5	Bediening van het systeem	14
5.1	Voorzijde van de pomp	14
5.2	Achterzijde van de pomp	14
5.3	Standaard met weegsysteem	15
5.3.1	Het weegsysteem instellen	16
5.3.2	Vacuümslang aansluiten	17
5.4	Aquilex-systeem inschakelen	18
5.5	Vloeistofzakken ophangen	19
5.6	Slangsets gebruiken	19
5.7	Overzicht van de slangen	20
5.8	Outflow-slangset aansluiten	21
5.8.1	MyoSure® afvoeraansluiting	22
5.9	Plaatsen van de inflow-slangset	23
5.10	Selecteren van de intra-uteriene streefdruk	24
5.11	Deficitgrens instellen	25
5.12	Gebruik van de pomp tijdens een ingreep	25
5.13	Reservoirs verwisselen tijdens de ingreep	26
5.14	Weergegeven totale volume	26
5.15	Systeem uitschakelen	26
6	Veiligheidsfuncties	27
7	Verzorging en onderhoud	28
7.1	Reiniging van het systeem	28
7.2	Onderhoud door een geautoriseerde servicetechnicus	28
7.3	Zekering vervangen	28
8	Jaarlijkse inspectie	30
8.1	Veiligheidstest	30
8.2	Veiligheidstest	30
8.3	Test van het weegsysteem	30
8.4	Test van de flowrate	31
8.5	Testen van de drukmeting	32
8.6	Testen van de meting van het vloeistofdeficit	33
8.7	Testen van de vacuümpomp	34
9	Fout- en alarmmeldingen	35
10	Technische gegevens	37
11	Instructies en verklaring van de fabrikant - Elektromagnetische compatibiliteit	39
11.1	Invloed van mobiele en draagbare HF-communicatiemiddelen	39
11.2	Elektrische aansluitingen	39
11.3	Richtlijnen en verklaring van de fabrikant - Elektromagnetische emissies	40
11.4	Richtlijnen en verklaring van de fabrikant - Elektromagnetische stoorbestendigheid	41
11.5	Richtlijnen en verklaring van de fabrikant - Elektromagnetische stoorbestendigheid	42
11.6	Aanbevolen veiligheidsafstanden tussen draagbare en mobiele HF-telecommunicatieapparatuur en het Aquilex Fluid Control System	43
12	Lijst van accessoires	44
13	Informatie over garantie	45
14	Verklarende woordenlijst	47
15	Bijlage	48
15.1	Testprotocol	48
	Index	49

1 Belangrijke gebruiksinstructies

Lees het handboek grondig door, zodat u meer te weten komt over de bediening en de werking van het Aquilex® Fluid Control System (Aquilex System) en de accessoires. Doe dit voordat u het apparaat in de operatiekamer gaat gebruiken. Wanneer u de instructies in dit handboek niet in acht neemt, dan

- kan dit leiden tot levensgevaarlijke verwondingen bij de patiënt
- kunnen het operatieteam, de verpleegkundige staf of de onderhoudsmedewerkers zwaar gewond raken of
- kunnen het systeem of de accessoires worden beschadigd of uitvallen.

De fabrikant behoudt zich het recht voor dat model afbeeldingen en technische gegevens vanwege verdere verbetering van de producten in geringe mate kunnen afwijken van het geleverde product.

De passages met de tekst GEVAAR, LET OP en OPMERKING hebben een speciale betekenis. Lees deze passages uiterst zorgvuldig door.

GEVAAR!

Er bestaat gevaar voor de veiligheid van de patiënt of de gebruiker. Neem deze waarschuwing in acht om te voorkomen dat patiënt of gebruiker letsel oplopen.

LET OP!

Waarschuwingen wijzen op risico's voor het systeem. Neem deze waarschuwing in acht om te voorkomen dat het systeem beschadigd raakt.

OPMERKING!

Opmerkingen bevatten speciale of aanvullende informatie om aanwijzingen te verduidelijken.

Technische wijzigingen voorbehouden

Let op



Amerikaanse federale wetgeving (alleen voor de VS-markt)

Uitsluiting van aansprakelijkheid

2 Veiligheidsinstructies

Let op: volgens Amerikaanse federale wetgeving mag het apparaat alleen door een arts of in opdracht van een arts worden gekocht.

Hologic kan niet aansprakelijk worden gesteld voor directe of indirecte schade en de aanspraak op garantie komt te vervallen, indien

- het systeem en/of de accessoires op onvakkundige wijze gebruikt, voorbereid of onderhouden worden,
- instructies in het handboek niet gevolgd worden,
- onbevoegden reparaties, instellingen of wijzigingen aan het systeem of de accessoires uitvoeren,
- onbevoegden het systeem openen,
- de voorgeschreven inspectie- en onderhoudsintervallen niet in acht worden genomen.

De overhandiging van technische documenten van Hologic houdt geen bevoegdheid in voor het uitvoeren van reparaties, instellingen of wijzigingen aan het systeem of de accessoires.

Geautoriseerde servicetechnici

Alleen geautoriseerde servicetechnici mogen reparaties, afstellingen of wijzigingen uitvoeren aan het systeem of de accessoires en het servicemenu gebruiken. Bij overtredingen is de fabrikant niet langer aansprakelijk. Geautoriseerde servicetechnici worden uitsluitend door de fabrikant opgeleid en gecertificeerd.

Doelmatig gebruik

Gebruik het systeem alleen voor toepassingen waarvoor het bedoeld is.

Verzorging en onderhoud

Om een veilige werking van het systeem en de accessoires te verzekeren, moeten deze altijd volgens de voorschriften worden onderhouden en verzorgd. Ter bescherming van de patiënt en het operatieteam dient u de werking van het systeem en de volledigheid ervan dus vóór gebruik altijd te controleren.

Verwijdering



In de Europese Gemeenschap geeft dit symbool aan dat het afval van elektrische en elektronische apparatuur niet weggeworpen mag worden als niet-gesorteerd afval, maar gescheiden ingezameld dient te worden. Neem voor meer informatie contact op met Hologic of een ander erkend afvalverwerkingsbedrijf.

3 Gebruiksdoel

Het Aquilex® Fluid Control System dient voor distensie van de uterus door spoeling met vloeistoffen voor de diagnostische en operatieve hysteroscopie en ter bewaking van het volumeverschil tussen de in de uterus gespoelde vloeistof en de uit de uterus wegstromende vloeistof.

Het systeem mag niet worden gebruikt voor het spoelen van de uterus met vloeistoffen bij contra-indicaties voor hysteroscopie. Volg de specifieke en relatieve contra-indicaties in de gebruikshandleiding van de hysteroscoop op.

Relatieve contra-indicaties voor endometriumablatie:

Een hysteroscopische endometriumablatie door laser- of elektrochirurgie dient pas na een passende opleiding en met desbetreffende klinische ervaring te worden uitgevoerd. Bovendien moet vóór vernietiging van het endometrium een weefselmonster worden genomen. De onderstaande klinische aandoeningen kunnen hysteroscopische endometriumablatie aanzienlijk compliceren:

- Adenomateuze endometriumhyperplasie
- Uterus-leiomyoom
- Ernstige adenomyose
- Pijn in het bekken (subtiële, door ontsteking veroorzaakte bekkenaandoening)
- Afwijkingen van de uterus
- Chirurgische vaardigheden (zie boven)
- Ernstige anemie
- De onmogelijkheid het myoom vanwege zijn afmeting te ontwijken - voornamelijk intramurale myomen met kleine submucoze bestanddelen.

3.1 Waarschuwingen en voorzorgsmaatregelen

3.1.1 Gevaren

GEVAAR!

Bij gebruik van monopolaire hysteroscopische elektrochirurgische apparatuur mag de vloeistof niet stroomgeleidend zijn. Niet-stroomgeleidende vloeistoffen zijn bijv. glycine, sorbitol en mannitol. Spoelvloeistoffen van isotone fysiologische zoutoplossing mogen alleen worden gebruikt als er bipolaire elektrochirurgische resecties worden uitgevoerd.



GEVAAR!

Om een passende intra-uteriene distensie mogelijk te maken en om de krachten te verminderen waardoor vloeistof, omgevingslucht en/of gas in de bloedsomloop zouden kunnen terechtkomen, moet de druk zo laag mogelijk worden gehouden.



GEVAAR!

Intra-uteriene distensie kan meestal bij drukwaarden tussen 35 en 70 mmHg worden bereikt. Een druk boven 75-80 mmHg is, behalve in enkele uitzonderingsgevallen, alleen bij een excessief hoge bloeddruk nodig.



GEVAAR!

Bij gebruik van de standaard met weegsysteem dienen de gebruiksaanwijzingen in dit handboek nauwkeurig te worden opgevolgd.





GEVAAR!

Fluid overload

Het risico bestaat dat er via de uterus spoelvoeistof in de bloedsomloop of het weefsel van de patiënte terechtkomt. Dit kan worden beïnvloed door distensiedruk, flowrate, perforatie van het cavum uteri en duur van de hysteroscopie. Het is van groot belang dat toe- en afvoer van de distensievloeistof constant worden gecontroleerd.



GEVAAR!

Vloeistofverlies (deficit)

De in de patiënte achterblijvende vloeistofhoeveelheid moet worden gecontroleerd. Het deficit is de totale hoeveelheid vloeistof die in de patiënte achterblijft of die niet aan iets anders kan worden toegeschreven. Er moet rekening worden gehouden met de meettolerantiegrens van het systeem (zie hoofdstuk 10, Technische gegevens). De arts is verantwoordelijk voor het beoordelen van de vloeistofhoeveelheid die in de patiënte achterblijft.



GEVAAR!

Bewaking van de toe- en afvoer

De vloeistoftoe- en afvoer moet nauwkeurig worden gecontroleerd. Als er een vloeistof met een lage viscositeit wordt gebruikt, dan moet er nauwkeurig toezicht worden gehouden bij het in de uterus brengen van meer dan 2 liter vloeistof, omdat er kans bestaat op "fluid overload". Als er een vloeistof met een hoge viscositeit wordt gebruikt (zoals Hyskon), dan moet er bij het inbrengen van meer dan 500 ml nauwkeurig toezicht worden gehouden. Voor meer informatie zie de productbeschrijving voor Hyskon.



GEVAAR!

Natriumconcentratie van het bloedserum

De natriumconcentratie in het bloed van de patiënte moet worden gecontroleerd om verstoring van de elektrolythuishouding te voorkomen. De arts is verantwoordelijk voor het controleren van de natriumconcentratie in het bloed; dit gebeurt niet door het systeem en wordt ook niet door het systeem ondersteund.



GEVAAR!

De deficitweergave gaat bij stroomuitval of een kortstondige onderbreking verloren.



GEVAAR!

Hyponatriëmie

Sommige vloeistoffen kunnen leiden tot een "fluid overload" gevolgd door hyponatriëmie, met alle gevolgen van dien. Dit wordt beïnvloed door distensiedruk, flowrate en duur van de hysteroscopie. Het is van groot belang dat toe- en afvoer van de distensievloeistof constant worden gecontroleerd.



GEVAAR!

Longoedeem

Bij een hysteroscopie bestaat er kans op longoedeem, dat ontstaat door een "fluid overload" met isotone vloeistof. Het is van groot belang dat toe- en afvoer van de distensievloeistof constant worden gecontroleerd.

GEVAAR!**Hersenoedeem**

Bij een hysteroscopie bestaat er kans op hersenoedeem, dat ontstaat door "fluid overload" en verstoring van de elektrolythuishouding bij gebruik van hypo-osmolare (niet-ionische) vloeistoffen zoals glycine 1,5 % en sorbitol 3,0 %. Het is van groot belang dat de toe- en afvoer van de distensievloeistof constant worden gecontroleerd.

**GEVAAR!****Idiosyncratische reacties**

In zeldzame gevallen kunnen er idiosyncratische reacties zoals

- intravasculaire coagulopathie
- allergische reactie inclusief anafylaxie

tijdens een hysteroscopie optreden, als er een distensievloeistof wordt gebruikt. Met name wanneer tijdens een hysteroscopie Hyskon als spoelvloeistof werd gebruikt zijn er idiosyncratische anafylactische reacties waargenomen. Deze moeten als andere allergische reacties worden behandeld.

**GEVAAR!****Hypothermie (bewaking van de lichaamstemperatuur)**

Bij een hysteroscopie kan de continue stroom van distensievloeistof leiden tot een verlaging van de lichaamstemperatuur van de patiënte. Een lage lichaamstemperatuur kan coronaire en cardiovasculaire problemen veroorzaken. Controleer dus gedurende de gehele operatie de lichaamstemperatuur van de patiënte. Let er vooral op dat de volgende operatieomstandigheden, die hypothermie bevorderen, zoveel mogelijk worden vermeden:

- lange operatieduur
- gebruik van een koude spoelvloeistof.

**GEVAAR!****Eileiderruptuur als gevolg van eileiderafsluiting**

Distensie van de uterus kan leiden tot een scheur in de eileider als deze geblokkeerd of permanent afgesloten is. Door de ruptuur kan spoelvloeistof in de peritoneale holte van de patiënte stromen en een "fluid overload" veroorzaken. Het is van groot belang dat de toe- en afvoer van de distensievloeistof constant worden gecontroleerd.

**GEVAAR!**

Mocht er lucht die zich in het slangstelsel of in het aangesloten instrument bevindt, in de patiënte terechtkomen, dan kan er een luchtembolie ontstaan. Er moet zich altijd vloeistof in de vloeistofzak bevinden om te voorkomen dat er lucht in de patiënte kan worden gepompt.

**GEVAAR!**

Het systeem is uitsluitend geschikt voor gebruik in combinatie met flexibele vloeistofreservoirs. Bij gebruik van glazen reservoirs bestaat breukgevaar. Bij gebruik van niet-flexibele reservoirs kan de vloeistof niet snel genoeg stromen, omdat er in het reservoir een vacuüm ontstaat. Bij gebruik van niet-flexibele reservoirs bestaat gevaar voor imploderen.





GEVAAR!

Het vullen van de slangen met spoelvloeistof en het op nul zetten van het deficitdisplay wordt overgelaten aan de arts.



GEVAAR!

Het systeem moet zo worden opgesteld dat aflezen van de displaywaarden, de bediening van het systeem en de toegang tot de bedieningselementen op elk moment mogelijk is.



GEVAAR!

Als u een fout in het systeem vermoedt of een fout vaststelt bij de controle van de werking, is het gebruik van het systeem verboden. Dat geldt eveneens voor duidelijke en zichtbare defecten, vooral aan de netstekker en het netsnoer.



GEVAAR!

Met de AAN/UIT-schakelaar koppelt u het systeem niet los van het stroomnet. Daarvoor moet de netstekker aan de achterkant van het systeem worden losgekoppeld.



GEVAAR!

Techniek en procedure

Alleen de arts kan vanuit klinisch oogpunt beslissen of het gebruik van het systeem tijdens de operatie van de patiënte zinvol is. De arts moet bepalen welke techniek en welke procedure moeten worden toegepast om het gewenste klinische resultaat te bereiken.



GEVAAR!

Controleer alle standaardinstellingen

De arts hoeft zich niet aan standaardinstellingen te houden. De arts is verantwoordelijk voor alle instellingen die van toepassing zijn op de operatie-omstandigheden.



GEVAAR!

Originele accessoires

Gebruik voor uw eigen veiligheid en voor die van uw patiënte uitsluitend Aquilex-accessoires.



GEVAAR!

Niet explosie veilig

Het systeem is niet explosie veilig. Gebruik het systeem niet in de buurt van ontvlambare narcosegassen.



GEVAAR!

Er mogen geen veranderingen in het systeem worden aangebracht.

GEVAAR!

Om de kans op een elektrische schok te vermijden, mag het apparaat alleen worden aangesloten op een geaard voedingsnet.

**GEVAAR!****Deskundige kwalificatie**

Dit handboek bevat geen beschrijvingen of instructies voor operatietechnieken. Het is ook niet bedoeld als introductie in operatietechnieken voor de arts. Medische instrumenten en systemen mogen alleen in de daarvoor bedoelde inrichtingen en door artsen of medisch personeel onder supervisie van een arts worden gebruikt die over de noodzakelijke vakkennis beschikken.

**GEVAAR!****Steriele media en accessoires**

Werk wanneer dit geïndiceerd is uitsluitend met steriele materialen en media, steriele vloeistoffen en steriele accessoires.

**GEVAAR!****Reservesysteem en accessoires**

Houd in de onmiddellijke nabijheid steeds een reservesysteem en reserveaccessoires gereed, zodat de operatie bij uitval van het systeem of de accessoires met het reservesysteem of de reserveaccessoires kan worden beëindigd.

**GEVAAR!****Reiniging van het systeem**

Het systeem mag niet worden gesteriliseerd.

**GEVAAR!****Condensatie/Binnendringend vocht**

Bescherm het systeem tegen vocht. Gebruik het systeem niet als er vocht in het systeem is binnengedrongen.

**GEVAAR!****Systeemdefect**

Gebruik het systeem niet wanneer u vermoedt of weet dat het systeem defect is. Zorg ervoor dat het systeem niet meer wordt gebruikt voor het door een geautoriseerde servicetechnicus is gecontroleerd.

**GEVAAR!****Zekering vervangen**

Als u de zekering vervangt, moet u ervoor zorgen dat u een zekering van het voorgeschreven type in het systeem plaatst (zie hoofdstuk 10, Technische gegevens).

**GEVAAR!**

Het systeem moet zo worden opgesteld dat het netsnoer gemakkelijk eruit kan worden getrokken.



3.1.2 Voorzorgsmaatregelen



LET OP!

Amerikaanse federale wetgeving (alleen voor de VS-markt)

Volgens Amerikaanse federale wetgeving mag het apparaat alleen door een arts of in opdracht van een arts worden gekocht.



LET OP!

Wanneer het Aquilex System samen met MyoSure® of een ander morcellator-systeem wordt gebruikt, dan kan de combinatie van lage streefdruk en een te hoge vacuümdruk leiden tot een significant verlies van de intra-uteriene distensiedruk, wat het zicht in het operatieveld kan belemmeren. Omgekeerd kan het uitschakelen van de MyoSure® of een ander morcellator-systeem bij een hoge distensiedruk leiden tot drukpieken van meer dan 150 mmHg. Deze situaties kunnen zich gedurende korte tijd voordoen als het systeem de flowrate automatisch aanpast, om naar de ingestelde gewenste intra-uteriene druk terug te keren.



LET OP!

Het systeem mag alleen met hysteroscopen worden gecombineerd die volgens het gebruiksdoel en de technische gegevens een gezamenlijk gebruik toestaan. Iedere gebruikte hysteroscoop moet voldoen aan de eisen in de normen EC 60601-2-18 en ISO 8600 in de meest recente versie.



LET OP!

Elektrische interferentie: (zie hoofdstuk 11, Instructies en verklaring van de fabrikant - Elektromagnetische compatibiliteit). Bij de ontwikkeling en de keuring van het systeem is erop gelet dat elektrische interferentie van andere systemen praktisch uitgesloten is. Mocht u desondanks dergelijke interferenties vermoeden, dan kunnen deze door de volgende maatregelen worden voorkomen:

- Wijziging van de ruimtelijke plaatsing van het Aquilex System, van het andere apparaten resp. van beide
- Grotere afstand tussen de gebruikte apparaten
- Inschakelen van een elektrogeneeskundig expert



LET OP!

Controleer of de beschikbare netspanning overeenkomt met de netspanning die op het typeplaatje aan de achterwand van de pomp staat vermeld. Een verkeerde spanning kan foutieve werking of vernieling van het systeem tot gevolg hebben.

Technisch toepassingsgebied

3.2 Beschrijving van het Aquilex Fluid Control System

De intra-uteriene streefdruk wordt ingesteld aan de voorzijde van de pomp. De druk kan worden gekozen in een bereik tussen 40 en 150 mmHg. De maximale toevoer bedraagt 800 ml/min. en wordt automatisch door de pomp gereduceerd zodra de vooraf ingestelde intra-uteriene streefdruk is bereikt.

Het systeem is er qua vloeistof en vacuüm op gebouwd de prestaties van het MyoSure® Tissue Removal System te maximaliseren.

Mogelijke distensiemedia

Het Aquilex Fluid Control System kan worden gebruikt met hypotone, elektrolyt-vrije media (bijv. glycine 1,5 % en sorbitol 3,0 %) en met isotone, elektrolythoudende media (bijv. fysiologische zoutoplossing 0,9 % en Ringer-lactaatoplossing).

Het systeem werkt met volledig contactloze drukmeting van het spoelmiddel. De contactloze drukmeting wordt door integratie van de drukkamer in het slangstelsel bereikt. De drukkamer geeft de druk van de spoelvloeistof via een sensor door aan de elektronica van het apparaat. De drukregelaar vergelijkt de vooraf ingestelde intra-uteriene streefdruk constant met de daadwerkelijke intra-uteriene druk. Dit algoritme heeft als taak de intra-uteriene streefdruk in stand te houden. Controleer het systeem op lekkages als de intra-uteriene streefdruk niet wordt gehaald.

Drukmeting en -regeling

4 Eerste keer opbouwen van het systeem

Controleer altijd alle onderdelen van het systeem en de accessoires voordat u het systeem de eerste keer opbouwt. Als het systeem zichtbare defecten vertoont, neem dan contact op met de klantenservice van Hologic (hoofdstuk 13, Informatie over garantie).

Eerste keer opbouwen van het systeem



Plaats het systeem op een vlakke ondergrond in een droge omgeving. De omgevingstemperatuur en de luchtvochtigheid moeten overeenkomen met de in hoofdstuk 10, Technische gegevens vermelde gegevens.

GEVAAR!

Het systeem moet zo worden opgesteld dat het netsnoer gemakkelijk eruit kan worden getrokken.

Aansluiten op het stopcontact



4.1 Voorbereiden van het systeem

LET OP!

Controleer of de beschikbare netspanning overeenkomt met de netspanning die op het typeplaatje aan de achterwand van het systeem staat vermeld. Een verkeerde spanning kan foutieve werking of vernieling van het systeem tot gevolg hebben.

Controleer of de aansluitgegevens van de stroomvoorziening overeenkomen met de DIN VDE of de nationale voorschriften. Het netsnoer mag alleen in een volgens de voorschriften gemonteerd randaardestopcontact worden gestoken (zie DIN VDE 0107). Kijk op het typeplaatje aan de achterwand van de pomp om de bedrijfsspanning van het systeem vast te stellen.

Aardingscontact

De netaansluiting moet over een aardingscontact beschikken. Breng met het Aquilex-netsnoer een verbinding tot stand tussen het gearde stopcontact en de aansluiting aan de achterzijde.

Alleen voor de gebruiker in de VS

Gebruik uitsluitend een gekeurd (UL-goedgekeurd), afneembaar netsnoer, type SJT, minimaal 18 AWG, 3-aderig. De contacten moeten voldoen aan de voorschriften NEMA 5-15 resp. IEC 320/CEE22. De aardingsaansluiting is alleen betrouwbaar als het apparaat is aangesloten op een correct geïnstalleerd stopcontact voor ziekenhuizen (Hospital Grade).

Potentiaalvereffening

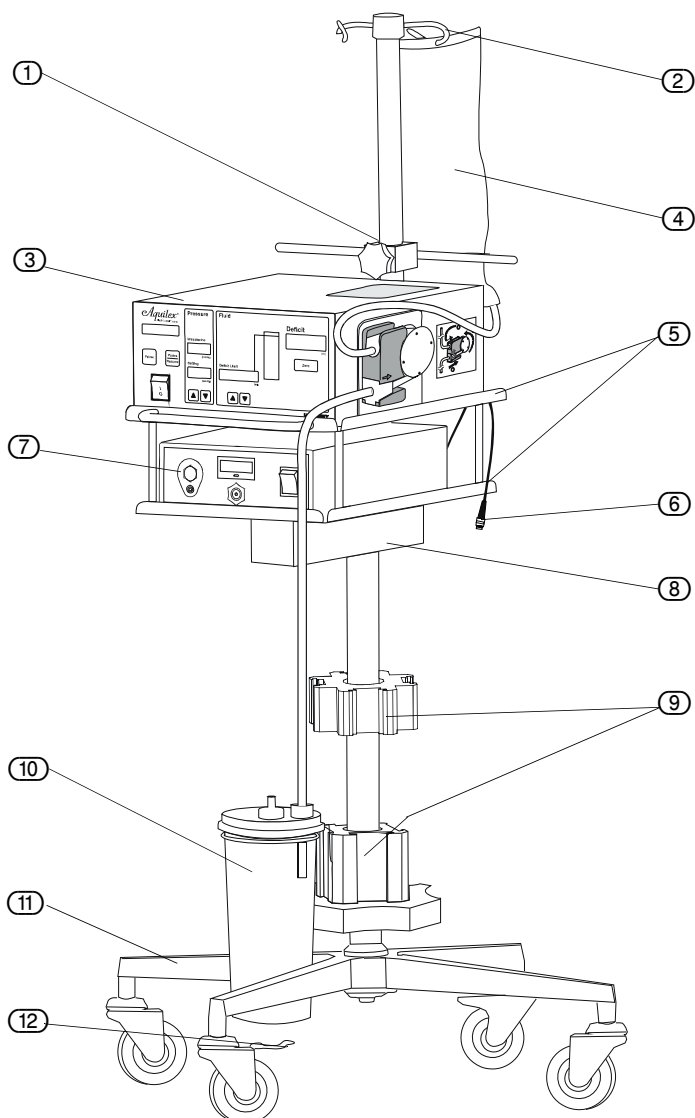
Integreer het systeem volgens de ter plaatse geldende veiligheidsvoorschriften in het potentiaalvereffeningssysteem.

Voorzorgsmaatregelen

Voor medische elektrische apparatuur moeten de volgende voorzorgsmaatregelen ten aanzien van de elektromagnetische compatibiliteit (hierna EMC genoemd) getroffen worden.

Dit systeem mag uitsluitend worden ingezet voor het in het handboek beschreven doel. Bij de opstelling en in gebruikneming moeten de instructies voor de EMC absoluut in acht worden genomen.

4.2 Systeemopbouw



Afb. 4-1 Opbouw van het Aquilex Fluid Control System

- ① Standaard
- ② Zakhouder
- ③ Pomp
- ④ Vloeistofzakken
- ⑤ Steunplaten
- ⑥ Kabel van het weegstelsel
- ⑦ MyoSure® controle-eenheid
- ⑧ Weegstelsel
- ⑨ Reservoirhouder
- ⑩ Reservoirs
- ⑪ Rolvoet
- ⑫ Voetrem

NL

Voor verzending is het Aquilex Fluid Control System verdeeld over twee dozen:

Doos 1 bevat:

- Pomp
- Handboek
- Netsnoer
- Aquilex vacuümslangset (laag en hoog vacuüm)
- Netsnoer voor MyoSure® controle-eenheid

Doos 2 bevat:

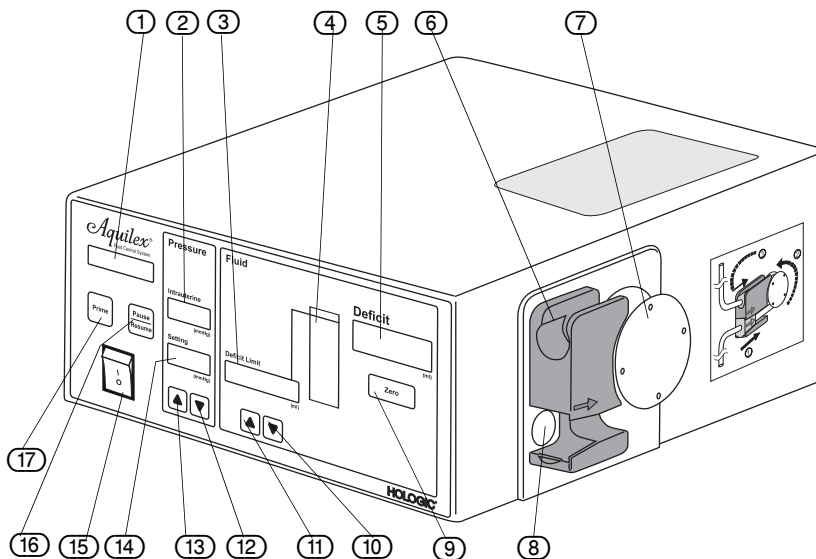
- Standaard met weegstelsel
- Reservoirringen

5 Bediening van het systeem

5.1 Voorzijde van de pomp

Afb. 5-1 Voorzijde van de pomp

- ① Pompdisplay
- ② Display van de werkelijke intra-uteriene druk
- ③ Weergave voor de vloeistofdeficitgrens
- ④ Deficitmeter
- ⑤ Deficitdisplay
- ⑥ Houder voor inflow-slang
- ⑦ Rolwiel
- ⑧ Druksensor
- ⑨ Resettoets voor deficit (Zero)
- ⑩ Deficitgrens verlagen
- ⑪ Deficitgrens verhogen
- ⑫ Instelling voor intra-uteriene streefdruk verlagen
- ⑬ Instelling voor intra-uteriene streefdruk verhogen
- ⑭ Display van de intra-uteriene streefdruk
- ⑮ AAN/UIT-schakelaar
- ⑯ Toets Pause/Resume
- ⑰ Toets Prime

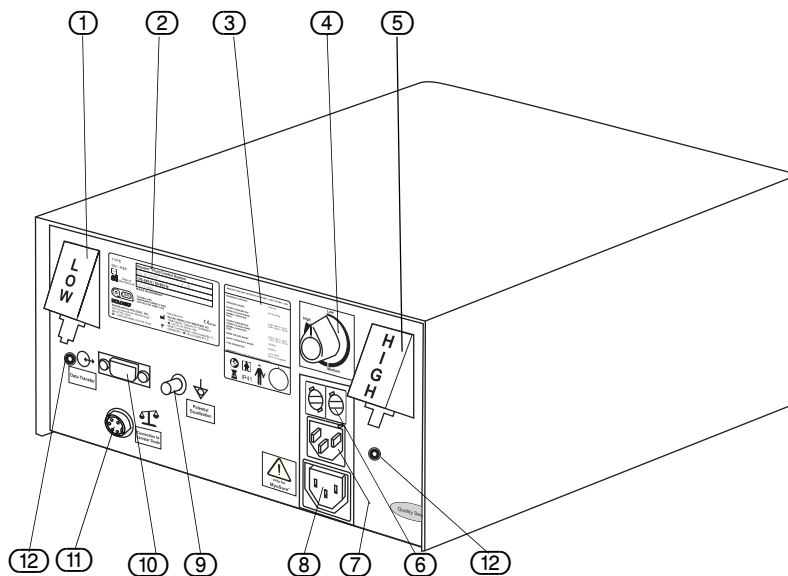


Maak u vertrouwd met de indeling van de afzonderlijke onderdelen aan de voorzijde van de pomp.

5.2 Achterzijde van de pomp

Afb. 5-2 Achterzijde van de pomp

- ① Aansluiting voor laag vacuüm (wit)
- ② Productetiket
- ③ Vermogensgegevens van het apparaat
- ④ Insteldraaiknop voor hoog vacuüm
- ⑤ Aansluiting voor hoog vacuüm (groen)
- ⑥ Zekeringhouder(s)
- ⑦ Aansluiting voor netsnoer
- ⑧ Aansluiting voor MyoSure® controle-eenheid
- ⑨ Aansluiting potentiaalvereffening
- ⑩ Service-interface
- ⑪ Aansluiting voor weegsysteem
- ⑫ Afzuigopeningen



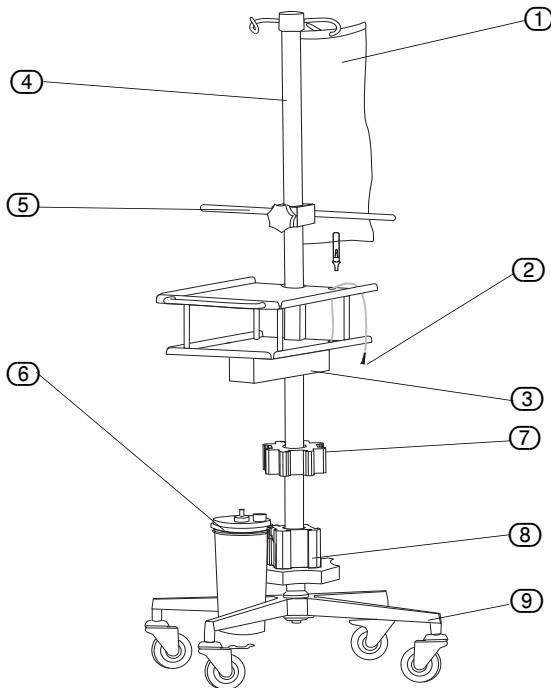
Maak u vertrouwd met de indeling van de afzonderlijke onderdelen aan de achterzijde van de pomp.



LET OP!

Randapparatuur die via de interfaces van het apparaat moet worden aangesloten, dient te voldoen aan de norm EN 60950.

5.3 Standaard met weegsysteem



Afb. 5-3 Standaard met weegsysteem

- ① Vloeistofzakken
- ② Kabel van het weegsysteem
- ③ Weegsysteem
- ④ Stang met zakhouter(s)
- ⑤ Zakspanner
- ⑥ Reservoirs
- ⑦ Houder voor bovenste reservoir (Serres, Medela, Baxter, Baxter flex)
- ⑧ Houder voor onderste reservoir (Abbott, Bemis, Medi-Vac, DeRoyal)
- ⑨ Rolvoet

De standaard met weegsysteem bestaat uit een weegeenheid voor de reservoirs, een stang met haken voor de zakken met spoelvloeistof en een rolvoet.

1. Neem de standaard met weegsysteem uit de doos.
2. Trek de stang uit tot aan de eindpositie.
3. Schuif de zakspanners uit.
4. Haal de pomp en het netsnoer uit de eerste doos.
5. Bevestig de reservoirringen (uit de tweede verzenddoos) afhankelijk van het gebruikte soort reservoir aan de bovenste (7) of onderste (8) reservoirhouder.
6. Steek het netsnoer in de aansluiting (7) Afb. 5-2, Achterzijde van de pomp, Seite 14) aan de achterzijde van de pomp en in een geaard stopcontact.
7. Sluit het weegsysteem aan op de pomp door de kabel van het weegsysteem (2) Afb. 5-3, Standaard met weegsysteem) in de aansluiting voor het weegsysteem (11) Afb. 5-2, Achterzijde van de pomp) te steken.
8. Steek het meegeleverde netsnoer van de MyoSure® controle-eenheid in de aansluiting (8) Afb. 5-2, Achterzijde van de pomp) aan de achterzijde van de pomp om deze met de MyoSure® controle-eenheid te verbinden.

GEVAAR!

Weegfouten

Let erop dat er tijdens het opstarten van het systeem geen onderdelen in aanraking komen met het weegsysteem. Anders kunnen er onnauwkeurige deficitwaarden ontstaan.



GEVAAR!

Vloeistofverlies (deficit)

De in de patiënte achterblijvende vloeistofhoeveelheid moet worden gecontroleerd. Het deficit is de totale hoeveelheid vloeistof die in de patiënte achterblijft of die niet aan iets anders kan worden toegeschreven. Er moet rekening worden gehouden met de meettolerantiegrens van het systeem (zie hoofdstuk 10, Technische gegevens). De arts is verantwoordelijk voor het beoordelen van de vloeistofhoeveelheid die in de patiënte achterblijft.





GEVAAR!

Natriumconcentratie van het bloedserum

De natriumconcentratie in het bloed van de patiënte moet worden gecontroleerd om verstoring van de elektrolythuishouding te voorkomen. De arts is verantwoordelijk voor het controleren van de natriumconcentratie in het bloed; dit gebeurt niet door het systeem en wordt ook niet door het systeem ondersteund.

Precieze balancering

Probeer alle vloeistof op te vangen die tijdens de ingreep uit het cavum uteri stroomt, om een zo nauwkeurig mogelijke deficitwaarde te verkrijgen.

Capaciteit van het weegsysteem

De weeggrens van het weegsysteem ligt bij bijna 30 kg (65 lbs). Bij een hoger gewicht verschijnt de melding **Scale Overloaded/Check Scale** (weegsysteem overbelast/weegsysteem controleren). Bovendien hoort u drie alarmsignalen (zie hoofdstuk 9, Fout- en alarmmeldingen).



LET OP!

Let erop dat de reservoirs vrij hangen, niet van onderen worden ondersteund en geen contact maken met andere dingen. Anders kan het deficit niet correct worden berekend.

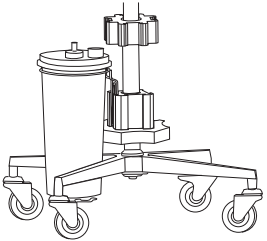
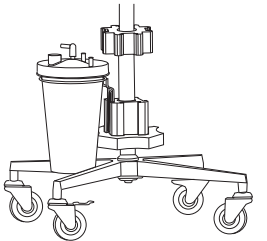
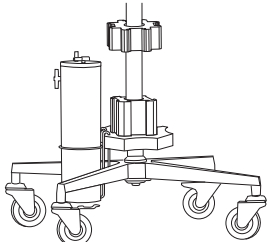
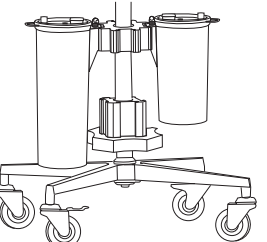
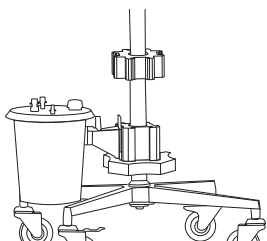
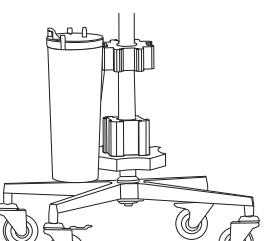


OPMERKING!

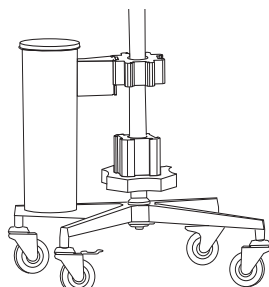
Sluit het weegsysteem aan op de pomp voordat u het systeem inschakelt.

5.3.1 Het weegsysteem instellen

Het weegsysteem kan worden gebruikt met reservoirs van verschillende fabrikanten.

Bemis® 3 liter		DeRoyal®	
Abbott 2 liter		Serres 2 en 3 liter	
Medi-Vac® 3 liter		Medela 3 liter	

Medi-Vac Flex Advantage
3000 cc



OPMERKING!

Let erop dat de reservoirs correct aan de passende houder zijn opgehangen.



OPMERKING!

Gebruik uitsluitend reservoirs met overloopbeveiliging.



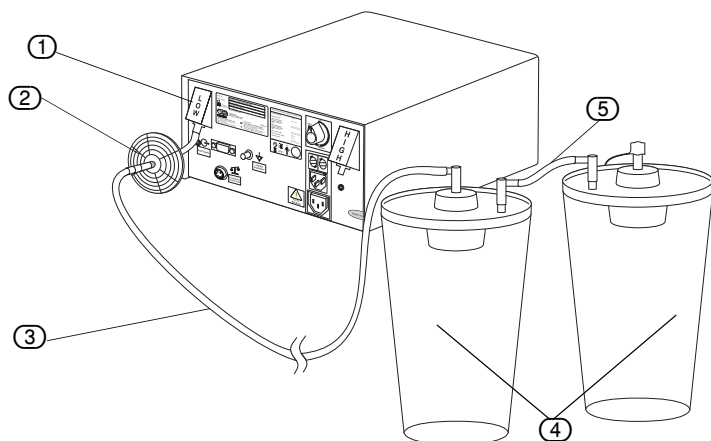
5.3.2 Vacuümslang aansluiten

LET OP!

Wanneer het Aquilex System samen met MyoSure® of een ander morcellator-systeem wordt gebruikt, dan kan de combinatie van lage streefdruk en een te hoge vacuümdruk leiden tot een significant verlies van de intra-uteriene distensiedruk, wat het zicht in het operatieveld kan belemmeren. Omgekeerd kan het uitschakelen van de MyoSure® of een ander morcellator-systeem bij een hoge distensiedruk leiden tot drukpieken van meer dan 150 mmHg. Deze situaties kunnen zich gedurende korte tijd voordoen als het systeem de flowrate automatisch aanpast, om naar de ingestelde gewenste intra-uteriene druk terug te keren.



1. Sluit de vacuümslang met hygiënefilter aan op de afzuigreservoirs. Dit hoeft alleen maar de eerste keer dat het systeem wordt opgebouwd te gebeuren, niet voor iedere ingreep.
 - Aansluiting voor laag vacuüm (wit)
 - ▶ Sluit de vacuümslang met de witte stekker aan op de aansluiting voor laag vacuüm (wit) (1) Afb. 5-4. Deze de vacuümpomp produceert een vaste onderdruk (~ 225 mmHg).
 - ▶ Gebruik de verbindingsslang (5) Afb. 5-4) als er twee reservoirs achter elkaar op dezelfde vacuümaansluiting worden aangesloten.



Afb. 5-4 Slang voor laag vacuüm

- ① Aansluiting voor laag vacuüm (wit)
- ② Hygiënefilter
- ③ Vacuümslang
- ④ Reservoirs
- ⑤ Verbindingslang

- Aansluiting voor hoog vacuüm (groen)
 - ▶ Sluit de vacuümslang met de groene stekker aan op de aansluiting voor

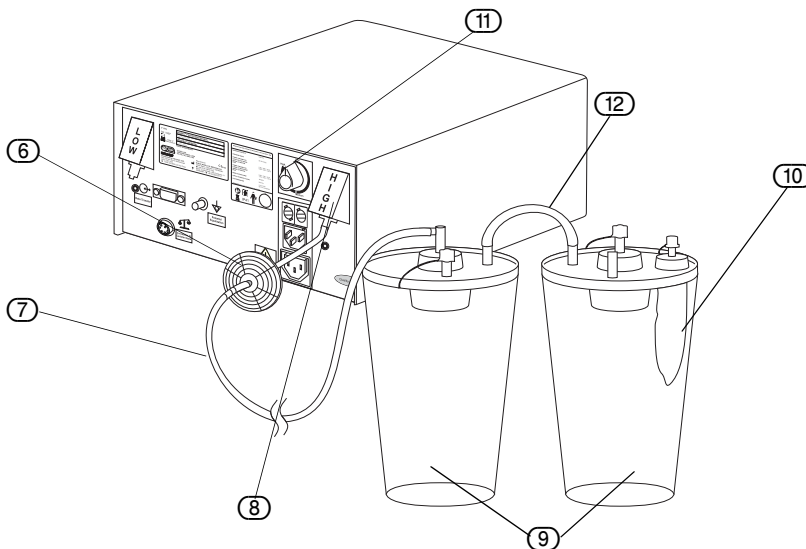
NL

hoog vacuüm (groen) (8) in Afb. 5-5. Hier kan het vacuüm met behulp van de insteldraaiknop worden ingesteld op maximaal 500 mmHg.

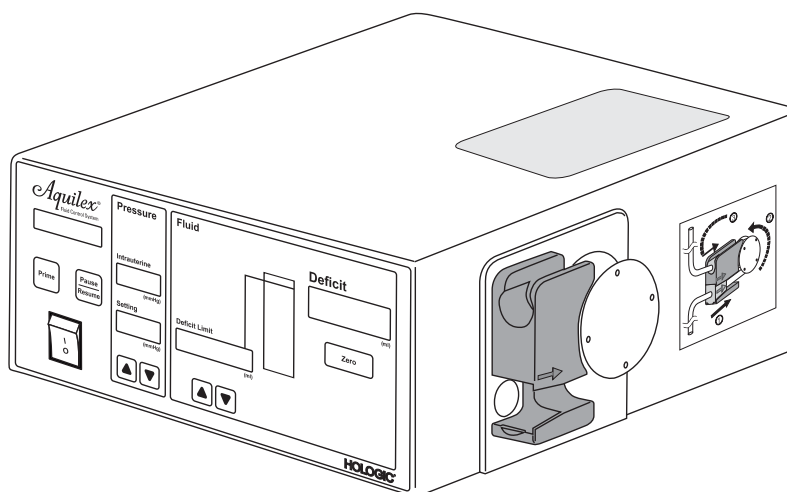
► Gebruik de verbindingsslang (12) Afb. 5-5) als er twee reservoirs achter elkaar op dezelfde vacuümaansluiting worden aangesloten.

Afb. 5-5 Slang voor hoog vacuüm

- (6) Hygiënefilter
- (7) Vacuümslang (groene stekker)
- (8) Aansluiting voor hoog vacuüm (groen)
- (9) Reservoirs
- (10) Weefselverzamelaar (voor ingrepen met MyoSure®)
- (11) Insteldraaiknop
- (12) Verbindingsslang



5.4 Aquilex-systeem inschakelen



1. Druk op de AAN/UIT-schakelaar. De displays en indicatoren lichten op en het systeem wordt ingeschakeld.
2. Het systeem voert een zelftest uit.
3. Als zich tijdens het inschakelen van de pomp een slangset in de houder voor de inflow-slang bevindt, verschijnt in het **pomppdisplay** (Afb. 5-2, Voorzijde van de pomp (1)) de melding **Remove Tube Set** (slangset verwijderen). De zelftest wordt voortgezet zodra de slangset van het rolwiel is genomen.
Wanneer de zelftest van het systeem niet succesvol kan worden afgerond, dan verschijnen er overeenkomstige foutmeldingen (zie hoofdstuk 9, Fout- en alarmmeldingen).

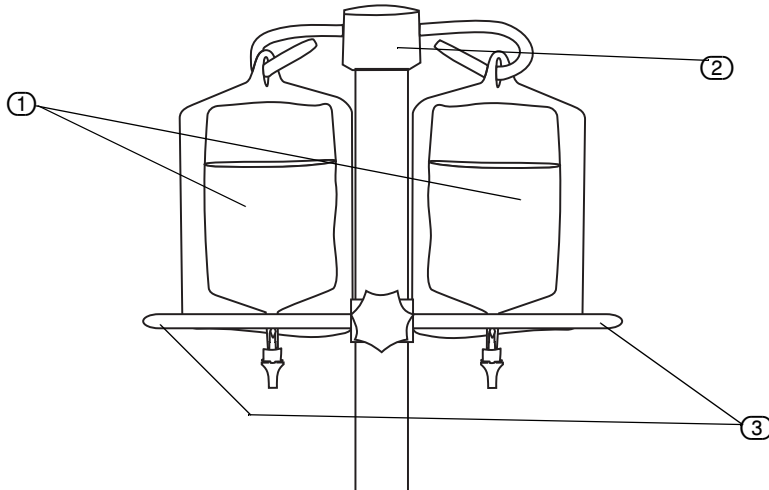
Als het systeem de zelftest met succes heeft afgerond, dan is er één enkele toon te horen. De melding **System OK** verschijnt 5 seconden, en vervolgens verschijnt de melding **Insert Tube Set** (slangset plaatsen).

GEVAAR!

Als u een fout in het systeem vermoedt of een fout vaststelt bij de controle van de werking, is het gebruik van het systeem verboden. Dat geldt eveneens voor duidelijke en zichtbare defecten, vooral aan de netstekker en het netsnoer.



5.5 Vloeistofzakken ophangen



Afb. 5-6 Ophangen van de vloeistofzakken

- ① Vloeistofzakken
- ② Stang met zakhouders(s)
- ③ Zakspanner

GEVAAR!

Bij gebruik van monopolaire hysteroscopische elektrochirurgische apparatuur mag de vloeistof niet stroomgeleidend zijn. Niet-stroomgeleidende vloeistoffen zijn bijv. glycine, sorbitol en mannitol. Spoelvloeistoffen van isotone fysiologische zoutoplossing mogen alleen worden gebruikt als er bipolaire elektrochirurgische resecties worden uitgevoerd.



Hang één of twee vloeistofzakken op, gevuld met de vloeistof die geschikt is voor de geplande ingreep. (Voor één ingreep met MyoSure® zijn één of twee zakken met 3000 ml fysiologische zoutoplossing nodig.)

GEVAAR!

Het systeem is uitsluitend geschikt voor gebruik in combinatie met flexibele vloeistofreservoirs. Bij gebruik van glazen reservoirs bestaat breukgevaar. Bij gebruik van niet-flexibele reservoirs kan de vloeistof niet snel genoeg stromen, omdat er in het reservoir een vacuüm ontstaat. Bij gebruik van niet-flexibele reservoirs bestaat gevaar voor imploderen.



5.6 Slangsets gebruiken

Het Aquilex Fluid Control System is ontworpen om te worden gebruikt in combinatie met inflow- en outflow-slangsets voor eenmalig gebruik.

Elke inflow-slangset is uitgerust met een transponder voor slangset-herkenning. De RFID-transponder bevat informatie over slangtype, gebruikstoestand en goedgekeurdheid. Het pompdisplay toont deze informatie. Zo wordt onbedoeld hergebruik van een slangset bij meer dan één patiënte voorkomen (zie hoofdstuk 5.7, Overzicht van de slangen).

Herkenning van de slangset

GEVAAR!

Opnieuw gebruiksklaar maken van steriele voor eenmalig gebruik bestemde producten
Bij hergebruik van inflow- en outflow-slangen bestaat infectiegevaar voor pati-



NL

ënte en/of gebruiker en het risico dat de goede werking van het product in gevaar komt. Contaminatie en/of een verslechterde werking van het systeem kunnen leiden tot verwondingen, ziektes of tot de dood. Inflow- en outflow-slangsets bedoeld voor eenmalig gebruik mogen niet opnieuw gebruiksklaar worden gemaakt.



OPMERKING!

Neem de hygiënevoorschriften in acht bij het verwijderen van slangen, reservoirs en de opgevangen vloeistof.

5.7 Overzicht van de slangen

Voor het gebruik van het systeem zijn drie verschillende slangsets nodig. In de volgende tabel staat een overzicht van alle typen slangsets en het gebruik ervan.

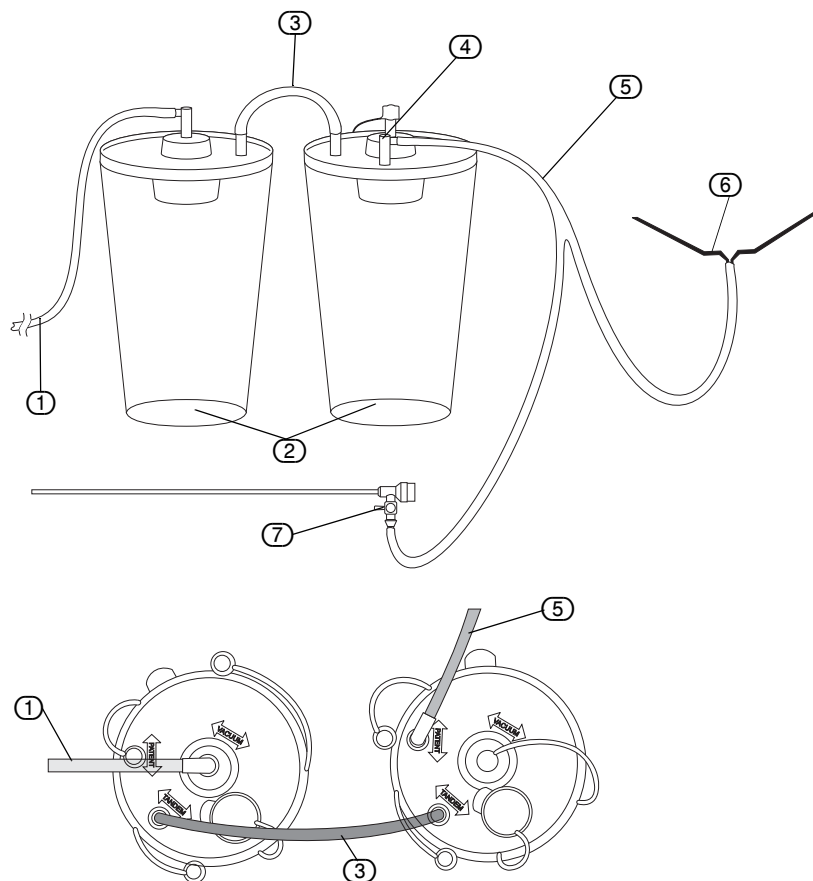
Artikelnummer	Beschrijving
AQL-110	Aquilex Fluid Control System inflow-slangset
AQL-111	Aquilex Fluid Control System outflow-slangset
AQL-112	Complete slangset (inflow en outflow), voor eenmalig gebruik, steriel
AQL-114	Aquilex Fluid Control System slangset voor hoog en laag vacuüm: herbruikbaar, niet steriel

Tabel 5-1

5.8 Outflow-slangset aansluiten

LET OP!

Wanneer het Aquilex System samen met MyoSure® of een ander morcellator-systeem wordt gebruikt, dan kan de combinatie van lage streefdruk en een te hoge vacuümdruk leiden tot een significant verlies van de intra-uteriene distensiedruk, wat het zicht in het operatieveld kan belemmeren. Omgekeerd kan het uitschakelen van de MyoSure® of een ander morcellator-systeem bij een hoge distensiedruk leiden tot drukpieken van meer dan 150 mmHg. Deze situaties kunnen zich gedurende korte tijd voordoen als het systeem de flowrate automatisch aanpast, om naar de ingestelde gewenste intra-uteriene druk terug te keren.



Afb. 5-7 Outflow-slangset

- ① Naar aansluiting voor laag vacuüm (wit)
- ② Reservoirs
- ③ Verbindings slang
- ④ Patiëntaansluiting
- ⑤ Outflow-slangset
- ⑥ Afdekdoek
- ⑦ Uitneembaar afvoerkanaal (Myo-Sure®) of outflow-kraan van de hysteroscoop

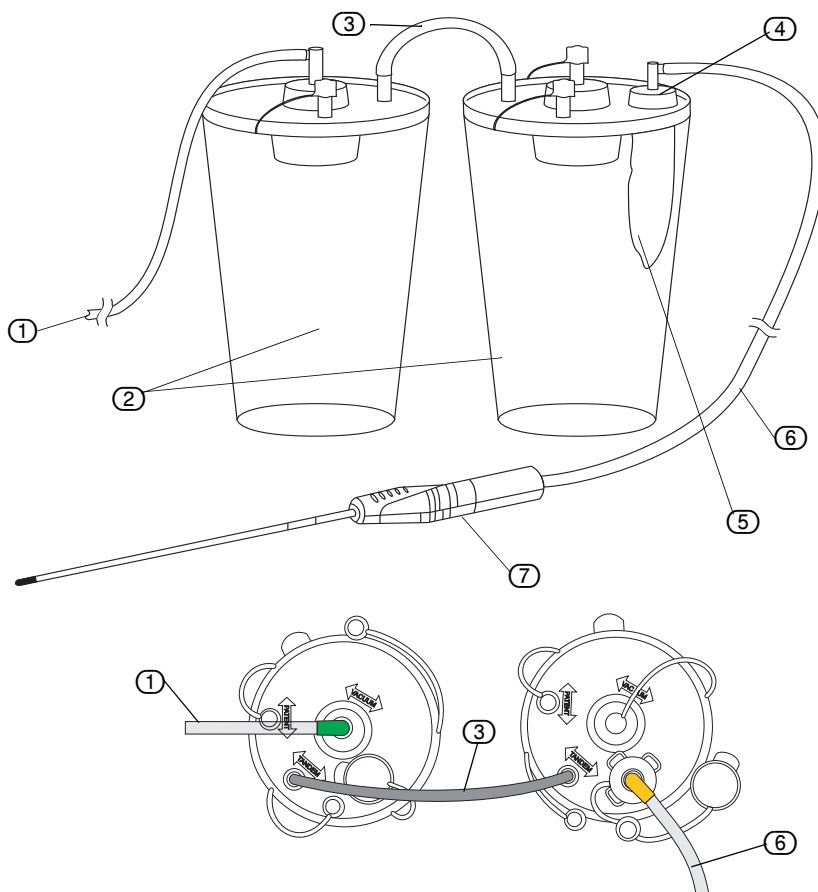
NL

Bij de configuratie met laag vacuüm uit Afb. 5-4 wordt de outflow-slangset (Y-slang) aangesloten op de patiëntaansluiting (4) van het tweede reservoir. De gele flexibele aansluiting wordt bevestigd aan de afdekdoek (6). De gele luer-verbinding wordt aangesloten op de afsluitkraan (7) van het uitneembare afvoerkanaal (MyoSure®) of de outflow-kraan van de hysteroscoop.

5.8.1 MyoSure® afvoeraansluiting

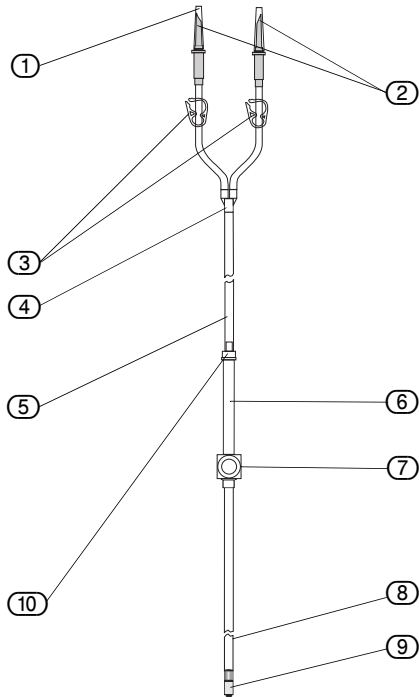
Afb. 5-8 MyoSure®-aansluiting

- ① Naar aansluiting voor hoog vacuüm (groen)
- ② Reservoirs
- ③ Verbindings slang
- ④ Weefselmonsteraansluiting
- ⑤ Weefselopvang
- ⑥ MyoSure® vacuümslang
- ⑦ MyoSure® Tissue Removal Device (TRD)



Wanneer er in de uterus pathologisch weefsel wordt herkend, dan kan het MyoSure® TRD worden aangesloten op het Aquilex System, zoals te zien is in Afb. 5-8. De MyoSure® vacuümslang (6) wordt aangesloten op de weefselopvang (5) in het tweede reservoir.

5.9 Plaatsen van de inflow-slangset



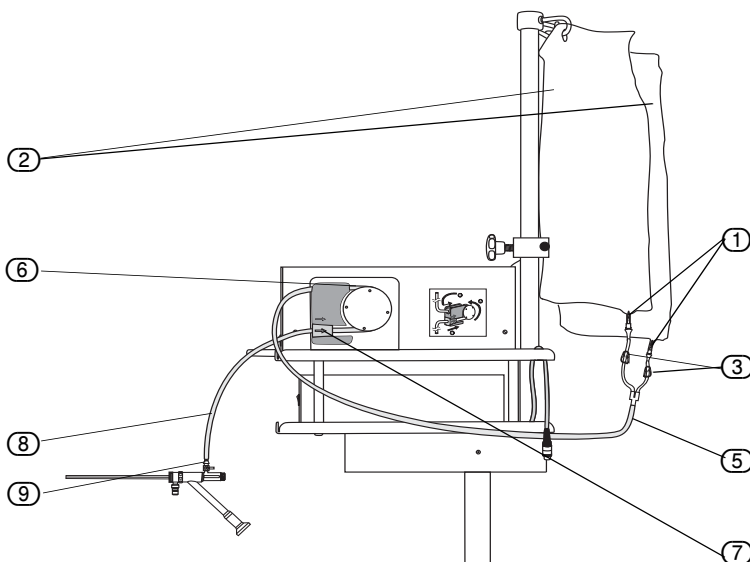
Afb. 5-9 Onderdelen van de slangset

- ① Beschermddoppen
- ② Insteeknaalden voor vloeistofzakken
- ③ Slangklemmen
- ④ Y-stuk
- ⑤ Inflow-gedeelte
- ⑥ Rolwiel-gedeelte
- ⑦ Drukkamer met membraan en RFID-transponder
- ⑧ Hysteroscoop-gedeelte
- ⑨ Luer-Lock-aansluiting (blauw)
- ⑩ Rolwiel-aansluiting

(zie Afb. 5-9, Onderdelen van de slangset) De inflow-slangset bestaat uit drie slanggedeelten, een Y-stuk (4) en twee insteeknaalden voor de vloeistofzakken (2). De drie slanggedeelten zijn: rolwiel-gedeelte (6), inflow-gedeelte (5) en hysteroscoop-gedeelte (8). De insteeknaalden voor de vloeistofzakken (2) dienen voor het aansluiten van de slanggedeelten op de vloeistofzakken.

De Luer-Lock-aansluiting (9) verbindt de hysteroscoop-slang met de hysteroscoop.

NL



Afb. 5-10 Plaatsen van de slangset

- ① Insteeknaalden voor vloeistofzakken
- ② Vloeistofzakken
- ③ Zakklemmen
- ⑤ Inflow-slang
- ⑥ Rolwiel-slang
- ⑦ Drukkamer met membraan en RFID-transponder
- ⑧ Hysteroscoop-slang
- ⑨ Luer-Lock-aansluiting (blauw)

1. Inflow-slangset- uit te voeren door niet-steriel staand personeel

- ▶ Open de buitenverpakking van de inflow-slangset.
- ▶ Steriel staand personeel haalt de binnenverpakking van de slangset eruit en opent deze.

Buitenverpakking openen

Aansluiten op de hysteroscoop

Slangset plaatsen

Vloeistofzakken aansluiten

2. Uit te voeren door steriel staand personeel:

- ▶ Houd de blauwe Luer-Lock-aansluiting (9) in de steriele zone en geef het uiteinde van de slang met de insteeknaalden voor de vloeistofzakken (1) aan het niet-steriele niet-steriel staande personeel.
- ▶ Sluit de blauwe Luer-Lock-stekker (9) aan op de inflow-afsluitkraan van de hysteroscoop. Open de afsluitkraan.

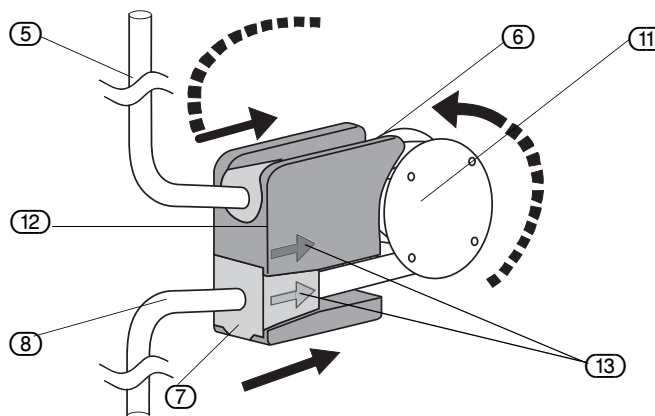
3. Uit te voeren door niet-steriel staand personeel:

- ▶ Controleer of het systeem is ingeschakeld.
- ▶ Sluit de klemmen (3) aan de inflow-slangen onder de insteeknaalden voor de vloeistofzakken (1).
- ▶ Leg de inflow-slangset in de houder voor de inflow-slang. Het plaatsen van de rolwiel-slang is afgebeeld in Afb. 5-11.
- ▶ Druk de drukkamer (7) voorzichtig in de onderste uitsparing van de houder voor de inflow-slang (12) tot u weerstand voelt. Lijn de drukkamer en de houder voor de inflow-slang aan de hand van de pijlen uit (zie Afb. 5-11).
- ▶ Let er bij het plaatsen van de rolwiel-slang op dat het membraan van de drukkamer niet beschadigd raakt. De drukkamer (7) mag alleen in drukloze toestand worden geplaatst.
- ▶ Leg de rolslang (6) om het rolwiel (11).
- ▶ Als u de slang aansluit op de zakken met de spoelvloeistof of hem van de zakken verwijdert, pak de insteeknaalden dan altijd vast aan de daarvoor bedoelde handgreep. De insteeknaalden moeten altijd onder steriele condities in de vloeistofzakken worden gestoken. De chirurg moet een distensievloeistof hebben gekozen die geschikt is voor de geplande ingreep.

NL

Afb. 5-11 Rolwiel-slang aanbrengen

- (5) Inflow-slang
- (6) Rolwiel-slang
- (7) Drukkamer
- (8) Hysteroscoop-slang
- (11) Rolwiel
- (12) Houder voor inflow-slang
- (13) Uitlijnpijlen



5.10 Selecteren van de intra-uteriene streefdruk

Instelling van de intra-uteriene streefdruk

De instelling van de intra-uteriene streefdruk kan worden aangepast als het systeem in bedrijf is. Gebruik daarvoor de toetsen ▲ en ▼ (Afb. 5-2, Voorzijde van de pomp). De drukinstelling kan in stappen van 5 mmHg tussen 40 en 150 mmHg worden gekozen. De werkelijke intra-uteriene druk kan op de display van de werkelijke intra-uteriene druk (2) worden afgelezen.

Veiligheidsdrempel

Wanneer tijdens het scrollen met de toets ▲ (zie Afb. 5-2, Voorzijde van de pomp) de veiligheidsdrempel van 100 mmHg wordt bereikt, klinkt er een alarmsignaal. Laat de toets ▲ ongeveer een seconde los en scroll vervolgens verder om een hogere waarde tot 150 mmHg in te stellen.



LET OP!

Reageert de intra-uteriene druk tijdens de operatie niet op een verhoging van de druk, dan kan dit liggen aan een perforatie van het cavum uteri. Er bestaat dan gevaar voor intravasatie. Onderzoek het cavum uteri op mogelijk letsel.

5.11 Deficitgrens instellen

De deficitgrens kan worden aangepast wanneer het systeem in bedrijf is. Gebruik daarvoor de toetsen ▲ en ▼ (zie Afb. 5-2). De deficitgrens kan in stappen van 100 ml tussen 600 en 2500 ml worden ingesteld. De deficitgrens wordt op de display voor de deficitgrens ③ weergegeven. De deficitmeter dient ervoor om de gebruiker te ondersteunen bij de bewaking van het deficitvolume. De kleur van de deficitmeter verandert wanneer deze in de buurt van de deficitgrens komt. De door de gebruiker ingestelde deficitgrens is boven in de deficitmeter aangegeven met een rode led. Als tijdens de ingreep het daadwerkelijke deficit stijgt, dan gaat de led branden en geeft hij het daadwerkelijke deficitvolume aan, tot de deficitgrens is bereikt (zie paragraaf **Deficitgrens** in hoofdstuk 6, Veiligheidsfuncties).

Instelling van de deficitgrens

5.12 Gebruik van de pomp tijdens een ingreep

- ▶ Open de klemmen aan de vloeistofzakken (③ Afb. 5-10).
- ▶ Open de afsluitkraan voor de hysteroscoop-toevoer volledig.
- ▶ Druk op de toets **Prime** (17 Afb. 5-2).
- ▶ De pomp gaat ca. 20 seconden lang lopen om lucht uit de slangen te pompen en de automatische lumenkalibrering uit te voeren.
- ▶ In het pompdisplay staat **Calibration Running** (kalibrering loopt).

De pomp is uitgerust met een functie voor automatische lumenkalibrering. Het systeem bepaalt de flowweerstand van de hysteroscoop. Deze weerstand wordt gebruikt om de pompdruk te berekenen die nodig is om de intra-uteriene streefdruk op peil te houden. Om deze weerstand te overwinnen, staat de pomp tijdens de kalibrering een druk tot 80 mmHg toe. Dit wordt aangegeven in het display van de werkelijke intra-uteriene druk. Wanneer de kalibrering vanwege grote weerstand mislukt, wordt de kalibrering herhaald met een toegestane druk tot 150 mmHg. Als de kalibrering dan nog niet kan worden afgesloten, geeft de pomp **Prime Fail -Open Stopcock, Clamps** (prime mislukt; afsluitkraan, klemmen openen) aan.

Automatische lumenkalibrering

De automatische lumenkalibrering begint zodra de toets **Prime** wordt ingedrukt.

- ▶ Zodra de automatische lumenkalibrering is beëindigd, klinken er drie signalen. Op de pompdisplay staat 5 seconden lang **Prime Successful Close Stopcock** (prime succesvol, kraan sluiten), en vervolgens **System Operating** (systeem klaar voor gebruik).
- ▶ Sluit de afsluitkraan voor de hysteroscoop-toevoer om de toevoer te stoppen. Nadat u alle vloeistof van de afdekdoek heeft verwijderd, zet u het deficitdisplay op nul.

OPMERKING!

De pomp blijft werken nadat de automatische lumenkalibrering is beëindigd. Stop de pomp door de afsluitkraan voor de hysteroscoop-toevoer te sluiten.



OPMERKING!

Elke keer dat tijdens een ingreep een andere hysteroscoop wordt gebruikt, moet de automatische lumenkalibrering worden geactiveerd door op de toets "Prime" te drukken.



- ▶ Open de afsluitkraan en breng de hysteroscoop in de uterus terwijl er vloeistof uitstroomt.
- ▶ Pas de instelling van de intra-uteriene streefdruk indien nodig aan om voldoende distensie en zicht te verkrijgen.
- ▶ Zodra u klaar bent met het gebruik van het systeem, sluit u de afsluitkraan voor de hysteroscoop-toevoer.
- ▶ Wacht tot de totale hoeveelheid vloeistof vanaf de afdekdoek onder de patiënte en uit de slangset in de reservoirs is gestroomd.
- ▶ Druk op de toets **Pause/Resume**.

Bediening van het systeem

Bediening van het systeem beëindigen

- ▶ Noteer het deficitvolume dat op het deficitdisplay staat aangegeven. Dit is de totale hoeveelheid vloeistof die door de patiënte is opgenomen.



GEVAAR!

Systeemfout: als u een fout in het systeem vermoedt of een fout vaststelt bij de controle van de werking, is het gebruik van het Aquilex System verboden. Dat geldt eveneens voor duidelijke en zichtbare defecten, vooral aan de netstekker en het netsnoer.

Reservoirwissel tijdens de ingreep

5.13 Reservoirs verwisselen tijdens de ingreep

- ▶ Stop de pomp door op de toets **Pause/Resume** te drukken. Hierdoor wordt ook de waarde op het display van het vloeistofdeficit stilgezet.
 - ▶ Verwijder de betreffende reservoirs en vervang ze door nieuwe.
 - ▶ Sluit de reservoirslangen aan.
 - ▶ Druk op de toets **Pause/Resume** om de ingreep voort te zetten.
-



LET OP!

Als u een gevuld reservoir van het weegsysteem verwijdert zonder op de toets "Pause/Resume" te hebben gedrukt, dan verschijnt de melding "Container Change, Press Resume" (Reservoirwissel, druk op Resume), de pomp blijft direct stilstaan en het deficitdisplay wordt stilgezet om ervoor te zorgen dat de deficitberekening correct kan worden voortgezet. Als u klaar bent met het verwisselen van de reservoirs, kunt u de pomp weer starten door op de toets "Pause/Resume" te drukken.

NL

Weergegeven totale volume

5.14 Weergegeven totale volume

Als u het vloeistofdeficit handmatig wilt controleren, kunt u de totale vloeistofhoeveelheid laten weergeven met behulp van de pijltjestoetsen omhoog en omlaag (**10**) en (**11**) in Afb. 5-2, Voorzijde van de pomp) onder de weergave voor de vloeistofdeficitgrens (**3**) in Afb. 5-2). De waarde op de deficitdisplay is de totale vloeistofhoeveelheid in ml. Zodra u een of beide pijltjestoetsen loslaat, verschijnt op de deficitdisplay weer de waarde voor het vloeistofdeficit.

Uitschakelen

5.15 Systeem uitschakelen

Druk op de **AAN/UIT**-schakelaar om de pomp uit te schakelen. De displays gaan uit.



GEVAAR!

Met de AAN/UIT-schakelaar koppelt u het systeem niet los van het stroomnet. Daarvoor moet de netstekker aan de achterkant van het systeem worden losgekoppeld.

6 Veiligheidsfuncties

De elektronica controleert continu of het systeem goed werkt. Fouten in het systeem worden gesignaleerd door alarmsignalen, foutmeldingen en/of het blokkeren van systeemfuncties. Een tabellarisch overzicht van de fout- en alarmmeldingen vindt u in hoofdstuk 9, Fout- en alarmmeldingen.

Als de werkelijke intra-uteriene druk de intra-uteriene streefdruk langer dan 5 seconden met 10 mmHg overschrijdt, dan treedt de drukreductie in werking. Het rolwiel beweegt tijdens de drukreductie een paar keer heen en weer. Als de druk niet kan worden gereduceerd, verschijnt de melding **Overpressure/Open Stopcock** (overdruk/afsluitkraan openen) en er klinken drie alarmsignalen.

Zodra de werkelijke intra-uteriene druk boven de 150 mmHg komt, verschijnt de melding **Maximum Pressure** (maximale druk) en geeft de pomp drie alarmsignalen. De maximaal toegestane druk is bereikt.

Als de werkelijke intra-uteriene druk langer dan 5 seconden boven de 200 mmHg komt, blijft het rolwiel staan en verschijnt de melding **Overpressure/Check Stopcock** (overdruk/afsluitkraan controleren). Tot de druk is gereduceerd klinken er drie korte alarmsignalen. Zodra de werkelijke intra-uteriene druk tot onder de 200 mmHg is gedaald, stoppen de alarmsignalen en gaat het rolwiel weer draaien.

Als de inflow-slangset niet correct in het rolwiel is geplaatst, dan klinkt na het indrukken van de toets **Prime** een kort alarmsignaal en verschijnt de melding **Check Tube Set Installation** (slangset-installatie controleren). Het rolwiel wordt niet gestart.

Als er een fout optreedt in de drukmeetelektronica, dan verschijnt de melding **Sensor Error** (sensorfout) en er klinken vijf korte alarmsignalen. Het rolwiel blijft stilstaan.

Als het maximaal toegestane gewicht van het weegsysteem (ca. 30 kg/65 lbs) wordt overschreden, dan klinkt er een continu alarmsignaal en verschijnt de melding **Scale Overload Check Scale** (weegsysteem overbelast; weegsysteem controleren). Zodra het overtollig gewicht van het weegsysteem is verwijderd, stopt het alarmsignaal en verdwijnt de melding weer.

Als er een reservoir van het weegsysteem wordt genomen terwijl de pomp in bedrijf is, klinken er continu drie korte alarmsignalen en verschijnt de melding **Container Change, Press Resume** (Reservoirwissel, druk op Resume). De alarmsignalen stoppen zodra de oorspronkelijke toestand is hersteld of er op de toets **Pause/Resume** wordt gedrukt.

Als de laatste instelling van de intra-uteriene streefdruk meer dan 80 mmHg bedroeg, dan wordt deze teruggezet op de standaardwaarde van 80 mmHg.

Na elke verhoging van het deficitvolume met 100 ml boven de ingestelde grenswaarde klinken er drie alarmsignalen, die terwijl de pomp blijft lopen steeds worden herhaald. De melding **Deficit Limit Exceeded** (deficitgrens overschreden) verschijnt.

Als de deficitverhoging meer dan 300 ml/min. bedraagt, klinken er drie alarmsignalen en verschijnt de melding **High Fluid Loss Check Leakage** (hoog vloeistofverlies; controleer op lekkage). Als er geen duidelijke oorzaak voor het hoge vloeistofverlies kan worden vastgesteld, moet de patiënte worden onderzocht op een mogelijke cervix- of uterusperforatie.

Er klinken vijf korte alarmsignalen en de melding **Motor Error** (motorfout) verschijnt. Fouten kunnen ook optreden tijdens het opstarten, voordat de pompdisplay is geactiveerd. In die gevallen blijft de pompdisplay leeg.

Werkelijke intra-uteriene druk ligt 10 mmHg boven instelling van de intra-uteriene streefdruk

Werkelijke intra-uteriene druk > 150 mmHg

Werkelijke intra-uteriene druk > 200 mmHg

Slangset-installatie controleren

Fout in het drukmeetsysteem

Weegsysteem overbelast

Weegsysteem tijdens bedrijf be-/ontladen

Drukinstelling bij opnieuw inschakelen

Deficitgrens

Deficitverhoging > 300 ml/min

Ernstige systeemfout

Verzorging en onderhoud

7 Verzorging en onderhoud

Om een veilige werking van het systeem en de accessoires te verzekeren, moeten deze altijd volgens de voorschriften worden onderhouden en verzorgd. Ter bescherming van de patiënte en het operatieteam dient u de werking van het systeem en de volledigheid ervan dus vóór gebruik altijd te controleren.

Het systeem en de accessoires moeten uiterst zorgvuldig worden gereinigd, onderhouden en bewaard, zodat ze naar behoren blijven werken.

7.1 Reiniging van het systeem

1. Druk op de **AAN/UIT**-schakelaar om het systeem uit te schakelen.
2. Verwijder het netsnoer.
3. Veeg het oppervlak van het systeem af met een zachte doek die bevochtigd is met een desinfecterende oppervlaktreiniger (bijv. Meliseptol® rapid). De concentratie van het gebruikte ontsmettingsmiddel is afhankelijk van de informatie van de fabrikant. Het binnendringen van vocht in het systeem moet altijd vermeden worden.

OPMERKING!

Het systeem mag niet worden gesteriliseerd.

7.2 Onderhoud door een geautoriseerde servicetechnicus

Het verdient aanbeveling, het systeem regelmatig te laten controleren en onderhouden door een geautoriseerde servicetechnicus, om de veiligheid en de goede werking van het systeem te garanderen. Afhankelijk van de frequentie en de duur van het gebruik dient deze onderhoudsbeurt **ten minste** om de twee jaar plaats te vinden. Als dit niet gebeurt, accepteert de fabrikant geen aansprakelijkheid voor de juiste werking van het systeem. Een sticker op de achterzijde van de behuizing herinnert u aan de uiterste datum voor de volgende onderhoudsbeurt.

Laat u zich na de controle of reparatie door de servicetechnicus een certificaat overhandigen. Dit certificaat dient het volgende te omvatten:

- aard en omvang van de verrichte werkzaamheden
- datum van de uitvoering
- naam van het bedrijf dat de werkzaamheden heeft uitgevoerd
- handtekening van de technicus

7.3 Zekering vervangen

LET OP!

Voordat u de zekering vervangt, dient u de waarden van de te plaatsen zekering volgens hoofdstuk 10, Technische gegevens te controleren.

De zekering is defect en moet worden vervangen, als:

- een of meer displays niet oplichten,
- het systeem niet werkt.

Controleer of:

- het netsnoer de aansluiting van het systeem correct verbindt met een geaard stopcontact (Afb. 5-2),
- er op het stopcontact stroom staat.

GEVAAR!

Koppel het netsnoer los van het systeem voor u de zekering gaat controleren.



Onderhoudsinterval twee jaar

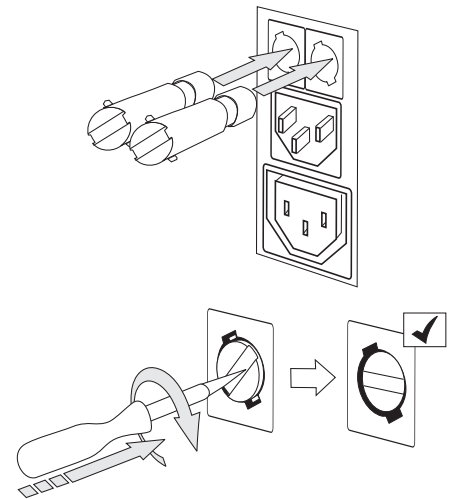
NL

Certificering



Voor het vervangen van de zekering hoeft het systeem **niet** geopend te worden.

1. Schakel het systeem uit.
2. Koppel het systeem los van het net.
3. De zekeringhouders bevinden zich direct bij de aansluitbus aan de achterkant van de pomp.
4. Neem de twee zekeringhouders eruit met behulp van een kleine schroevendraaier, zoals getoond in Afb. 7-1.
5. Trek de zekeringhouders eruit.
6. Controleer de zekeringen.
7. Breng de nieuwe zekeringen aan. Gebruik uitsluitend de voorgeschreven zekeringen (zie hoofdstuk 10, Technische gegevens).
8. Schuif de zekeringhouders weer naar binnen.
9. Sluit de pomp met een netsnoer weer aan op het muurstopcontact.



Afb. 7-1 Openen van de zekeringhouder

Voorschrift van de fabrikant

Tests bij de inspectie



8 Jaarlijkse inspectie

De fabrikant schrijft voor dat een bevoegde medewerker of een biomedisch technicus het systeem regelmatig aan een functie- en veiligheidstechnische inspectie moet onderwerpen. Deze inspecties moeten jaarlijks worden uitgevoerd. Regelmatige inspecties zorgen ervoor dat mogelijke storingen op tijd worden herkend en verhogedus de veiligheid en de levensduur van het systeem.

De volgende tests zijn speciaal ontwikkeld voor bevoegde medewerkers of een biomedisch technicus. Hiermee kunnen functionaliteit, werking en bruikbaarheid van het systeem eenvoudig worden gecontroleerd. Elke uitgevoerde test moet met datum en handtekening in het testrapport worden gedocumenteerd.

GEVAAR!

Als de aangegeven parameters en tolerantiegrenzen worden overschreden, moet het systeem voor controle worden opgestuurd naar Hologic.

8.1 Veiligheidstest

1. Voer een visuele controle uit. Let erop dat:
 - de zekering de door de fabrikant aangegeven waarde heeft,
 - de opschriften en stickers op het systeem leesbaar zijn,
 - de mechanische toestand een veilig gebruik toelaat,
 - er geen verontreinigingen aanwezig zijn die de functionaliteit in gevaar brengen.
2. Voer de meting van aardlekstroom (max. 500 μ A) en contactstroom (max. 100 μ A in normale toestand en max. 500 μ A bij eerste fout) uit volgens IEC 60601-1 / EN 60601-1.
3. Voer de meting van de aardingsweerstand uit volgens IEC 60601-1 / EN 60601-1. De aardingsweerstand wordt gemeten met aangesloten netsnoer. De maximale waarde bedraagt 0,2 Ω .

Als alternatief kan de veiligheidstest volgens DIN EN 62353 worden uitgevoerd.

8.2 Veiligheidstest

De basisfunctietest controleert de displays, de toetsen en de algemene prestaties van het systeem. Voor deze test heeft u nodig:

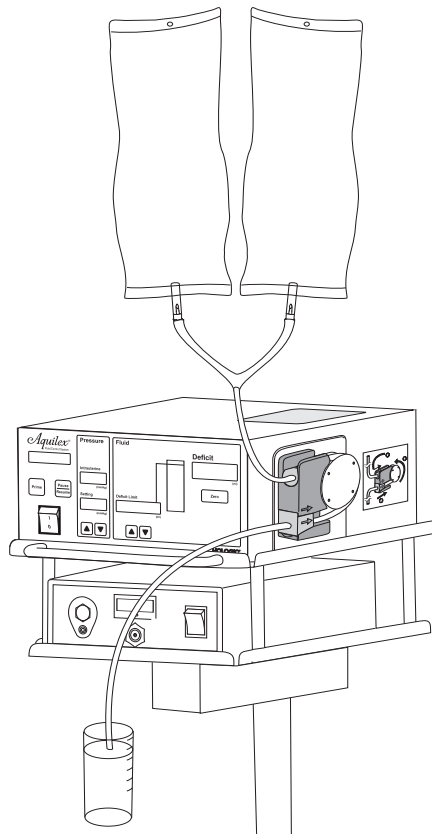
- Aquilex inflow-slangset
- Vloeistofzakken
- Meetreservoir met 1-liter-schaalverdeling
- Stopwatch
- Precisiegewichten (bijv. Ohaus 1 kg 49016-11 of 41000-00 of gelijkwaardig)

8.3 Test van het weegsysteem

1. Schakel het systeem in.
2. Zodra de melding **Insert Tube Set** (slangset plaatsen) verschijnt, drukt u tegelijkertijd op de toetsen **Pause/Resume** en **Zero**.
3. In het pompdisplay verschijnt de melding **Scale Test** (test van het weegsysteem).
4. Leg een precisiegewicht in het weegsysteem (500 g - 2000 g)
5. De weergave voor de vloeistofdeficitgrens geeft het gewicht weer.
6. De toegestane tolerantie is ± 20 g.
7. Bij een grotere afwijking moet een servicemonteur het weegsysteem kalibreren.
8. Verwijder het gewicht uit het weegsysteem
9. Druk op de toets **Pause/Resume** om deze test te beëindigen.

Noteer de resultaten in het testprotocol in hoofdstuk 15.1. De test is geslaagd als de resultaten binnen de toegestane tolerantiegrens liggen.

8.4 Test van de flowrate



Afb. 8-1 Test van de flowrate

De testopstelling is afgebeeld in Afb. 8-1, Test van de flowrate.

Uitvoeren van de test van de flowrate

1. Schakel het systeem in. (Zie hoofdstuk 5.4, Aquilex-systeem inschakelen)
2. Plaats de slangset in de pomp en sluit de klemmen aan de vloeistofzakken.
3. Hang de vloeistofzakken aan de haken van de zakhouder.
4. Steek de insteeknaalden in de vloeistofzakken en open de klemmen aan de vloeistofzakken.
5. Hang de hysteroscoop-slang in het meetreservoir.
6. Stel de intra-uteriene streefdruk in op 150 mmHg.
7. Druk op de toets **Prime**.
8. Het rolwiel begint te draaien om de lucht uit de slangen te verwijderen en de automatische lumenkalibrering uit te voeren.
9. Druk op de toets **Pause/Resume** zodra de automatische lumenkalibrering is beëindigd (ca. 20 seconden).
10. Leeg de maatbeker.
11. Hang de hysteroscoop-slang weer in het meetreservoir.
12. Druk op de toets **Pause/Resume**.
13. Druk na één minuut op de toets **Pause/Resume**. In het meetreservoir moet zich nu ca. 800 ml vloeistof bevinden.
14. De toegestane tolerantiegrens is ± 25 ml/min.

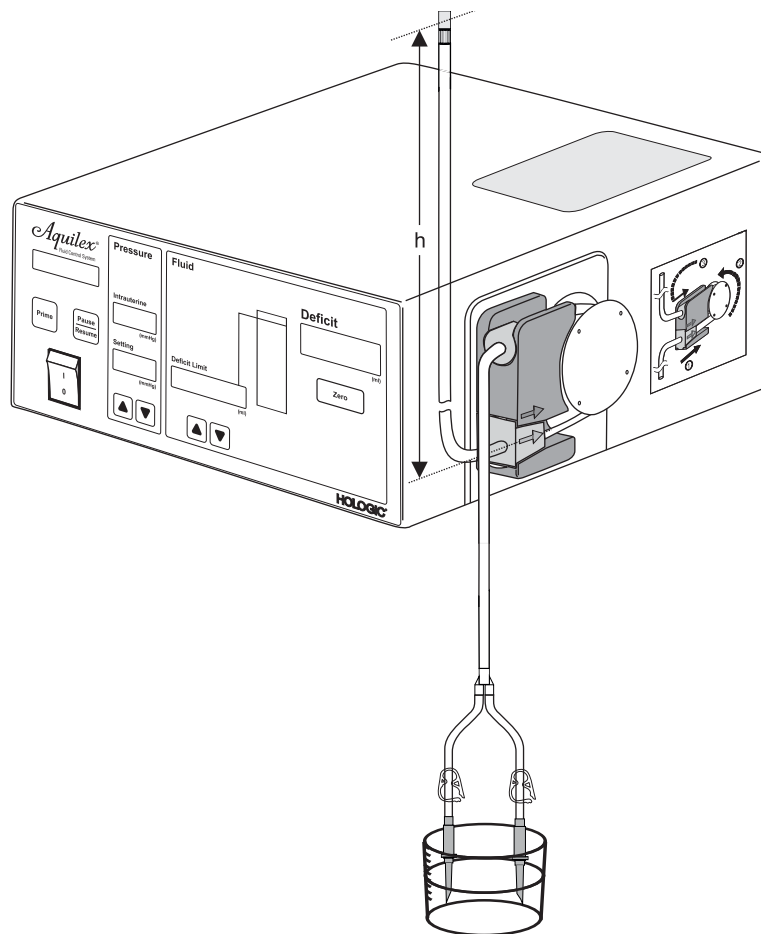
Noteer de resultaten in het testprotocol in hoofdstuk 15.1. De test is geslaagd als de resultaten binnen de toegestane tolerantiegrens liggen.

8.5 Testen van de drukmeting

De testopstelling is afgebeeld in Afb. 8-2.

Afb. 8-2 Testopbouw voor drukmeting

h hoogte van het waterpeil



De druktest controleert de drukkamer, de druksensor en de nauwkeurigheid van de drukmeting om er zeker van te zijn dat alle onderdelen correct functioneren. Voor deze test is een inflow-slangset en een met **water** gevuld reservoir nodig. De hoogte van de waterkolom (hydrostatische druk) wordt gebruikt om de druksensor te testen.

1. Hang het inflow-slanguiteinde met de insteeknaalden voor de vloeistofzakken in een met water gevulde bak.
2. Vul het slanguiteinde helemaal met water door de pomp met de **Prime**-toest te starten. Laat de pomp lopen totdat de kalibrering voltooid is. Druk op de toets **Pause/Resume** om het rolwiel te stoppen. Het display van de werkelijke intra-uteriene druk geeft 0 mmHg aan.
3. Sluit het uiteinde van de hysteroscoopslang af (met de vinger op de punt van de Luer-connector).
4. Houd het waterpeil aan het uiteinde van de hysteroscoopslang (h) 30 cm (24 in) boven de drukkamer. De waterkolom oefent een hydrostatische druk op de druksensor uit.
5. Haal de vinger van het uiteinde van de hysteroscoopslang.
6. De weergegeven werkelijke intra-uteriene druk moet 20 mmHg (± 5 mmHg) zijn.
7. Verander de hoogte van de waterkolom. De waarde op het display van de werkelijke intra-uteriene druk moet overeenkomstig meeveranderen.

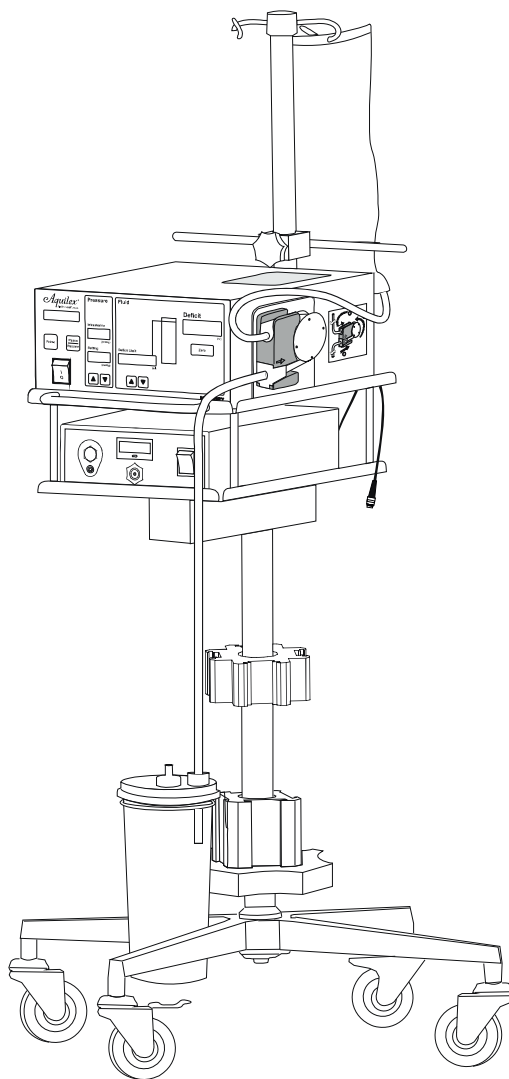
Noteer de resultaten in het testprotocol in hoofdstuk 15.1. De test is geslaagd als de resultaten binnen de toegestane tolerantiegrenzen liggen.

8.6 Testen van de meting van het vloeistofdeficit

De testopstelling is afgebeeld in Afb. 8-3. Het is zeer belangrijk dat het opvangreservoir **in** het weegstelsel, zoals in Afb. 8-3 getoond, wordt geplaatst.

1. Als de basisfunctietests 8.3 t/m 8.5 zijn uitgevoerd, gaat u door naar stap 2. Zo niet, zie basisfunctietest 8.4 stap 1 t/m 11.
2. Zet de display van het vloeistofdeficit op „nul“ door op de **Zero**-toets te drukken (zie Afb. 5-2, (9)).
3. Druk op de toets **Pause/Resume**.
4. Laat het systeem 1 minuut lopen. In het reservoir moet zich ca. 800 ml vloeistof bevinden, maar de display van het vloeistofdeficit moet 0 aangeven.
5. De toegestane tolerantiegrens is ± 50 .

Noteer de resultaten in het testprotocol in hoofdstuk 15.1. De test is geslaagd als de resultaten binnen de toegestane tolerantiegrens liggen.



Afb. 8-3 Testopbouw van de meting van het vloeistofdeficit

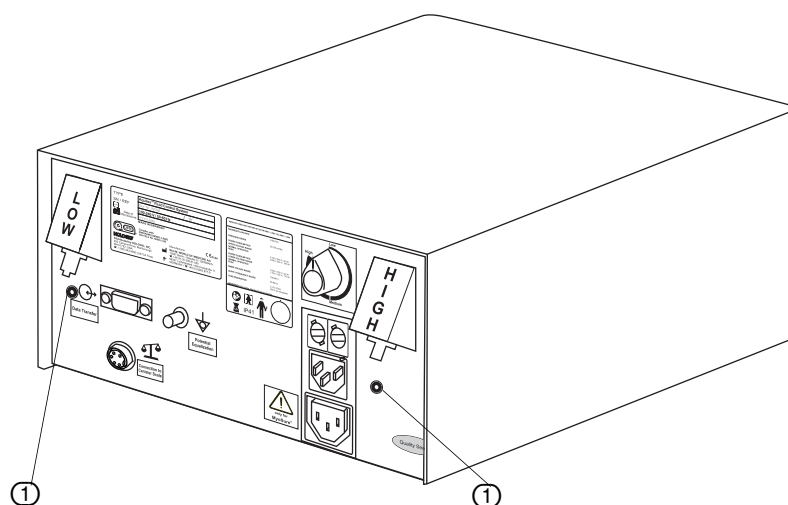
8.7 Testen van de vacuümpomp

Deze test is niet bedoeld als prestatietest van het meten van de onderdruk. De test beoordeelt alleen of de vacuümpomp bedrijfsklaar is.

1. Als de basisfunctietests 8.3 t/m 8.5 zijn uitgevoerd, gaat u door naar stap 2. Zo niet, zie basisfunctietest 8.4 stap 1 t/m 9.
2. Controleer of ten minste één aansluiting in het reservoir geopend is.
3. Druk op de toets **Pause/Resume**.
4. Leg een vinger op een of beide gouden afzuigopeningen (Afb. 8-4, ①) aan de achterkant van de pomp en voel de luchtstroom.

Noteer de resultaten in het testprotocol in hoofdstuk 15.1. De test is geslaagd als een luchtstroom wordt gevoeld.

Afb. 8-4 Afzuigopeningen van de vacuümpomp



9 Fout- en alarmmeldingen

De meldingen verschijnen in het pompdisplay en er zijn alarmsignalen te horen. Signalen die wijzen op een alarm- of bedrijfsmelding, zijn meermaals te horen.

Melding in het pompdisplay	Alarmsignalen	Hoe te handelen
Check Tube Set Installation (slangset-installatie controleren)	1 alarmsignaal	Slangset verwijderen en opnieuw plaatsen. Treedt de melding opnieuw op, nieuwe slangset plaatsen.
Tube Set Over Usage Limits (gebruikte slangset)	1 alarmsignaal	Slangset-herkenning geeft aan dat de slangset al is gebruikt. Nieuwe slangset plaatsen.
Check Flow Path, Stopcock, Clamps (flowbanen, afsluitkraan, klemmen controleren)	3 alarmsignalen	Flowbaan is geblokkeerd. Controleren of zakkleppen en hysteroscoop-afsluitkraan geopend zijn. Controleren of slangset niet is geblokkeerd.
Incorrect Tube Set (verkeerde slangset)	1 alarmsignaal	Slangset vervangen. De slangset beantwoordt niet aan het voor het Aquilex System toegelaten type.
Pump Paused, Press Resume (pomp stoppen, druk op Resume)	1 alarmsignaal	Toets "Pause/Resume" is geactiveerd. Druk opnieuw op de toets "Pause/Resume" om het bedrijf voort te zetten.
Container Change, Press Resume (Reservoirwissel, druk op Resume)	3 alarmsignalen	Verwijder de reservoirs zonder de toets "Pause" ingedrukt te houden. Plaats de nieuwe reservoirs en druk op de toets Pause/Resume.
Pause Pump for Container Change (pomp stoppen voor reservoirwissel)	3 alarmsignalen	Reservoir is verwijderd zonder dat de Pause/Resume-toets is ingedrukt. Leeg reservoir plaatsen en toets "Pause/Resume" indrukken.
Overpressure Open Stopcock (overdruk, afsluitkraan openen)	3 alarmsignalen	Treedt meestal in werking als de hysteroscoop-afsluitkraan gesloten is en de pomp werkt met de hoogste flowrate. Hysteroscoop-afsluitkraan openen of andere afsluiting verwijderen om druk te verminderen.
Overpressure Check Stopcock (overdruk; afsluitkraan controleren)	5 signalen, continu herhaald tot druk is gereduceerd	De druk heeft de veiligheidsdrempel van 200 mmHg overschreden en moet worden gereduceerd. De meest waarschijnlijke oorzaak is een gesloten hysteroscoop-afsluitkraan, terwijl de pomp werkt met de hoogste flowrate. Toevoer-afsluitkraan op de hysteroscoop openen of blokkade verwijderen die de inflow-slangset afklemt.
Maximum Pressure (maximale druk)	Geen alarmsignaal	De melding "Maximum Pressure" (maximale druk) verschijnt als de werkelijke intra-uteriene druk meer dan 150 mmHg bedraagt.
Deficit Limit Reached (deficitgrens bereikt)	3 alarmsignalen	De arts beslist over de te nemen maatregelen.
Deficit Limit Exceeded (deficitgrens overschreden)	3 alarmsignalen	De arts beslist over de te nemen maatregelen. Indien nodig deficit handmatig controleren.
Pressure Threshold (druk drempelwaarde)	1 alarmsignaal	Voor hysteroscopie is een druk van meer dan 100 mmHg gewoonlijk niet nodig. Zorgvuldige bewaking van het vloeistofdeficit wordt aangeraden.
Connect Scale Restart System (weegstelsel aansluiten, systeem opnieuw starten)	3 alarmsignalen	Aansluiting van het weegstelsel controleren. Weegstelsel opnieuw aansluiten en apparaat opnieuw starten. Treedt de melding opnieuw op, contact opnemen met Hologic.

Fout- en alarmmeldingen

Melding in het pompdisplay	Alarmsignalen	Hoe te handelen
Remove Tube Set for System Check (slangset voor systeemtest verwijderen)	1 alarmsignaal	Tijdens de systeemtest mag zich geen slangset in het rolwiel bevinden. Slangset verwijderen en wachten tot alarmsignaal weerklinkt en de melding „Insert Tube Set“ (slangset plaatsen) verschijnt.
Prime Fail-Open Stopcock, Clamps (prime mislukt; afsluitkraan, klemmen openen)	3 alarmsignalen	Controleren of zakklem(men) en hysteroscoop-afsluitkraan geopend zijn. Toets “Prime” indrukken om opnieuw te starten.
High Fluid Loss Check Leakage (groot vloeistofverlies, controleer op lekkage)	3 alarmsignalen	De arts beslist over de te nemen maatregelen. Indien nodig deficit handmatig controleren.
Scale Overload Scale Check (weegsysteem overbelast, weegsysteem controleren)	3 alarmsignalen	Gewicht op het weegsysteem overschrijdt 30 kg (65 lbs). Gewicht op het weegsysteem moet verlaagd worden. Systeemfunctie wordt voortgezet zodra het overtollige gewicht is verwijderd.
Communication Error (communicatiefout)	5 alarmsignalen	Contact opnemen met technische klantenservice van Hologic.
Calibration Error (kalibreerfout)	5 alarmsignalen	Contact opnemen met technische klantenservice van Hologic.
Sensor Error (sensorfout)	5 alarmsignalen	Contact opnemen met technische klantenservice van Hologic.
Motor Error (motorfout)	5 alarmsignalen	Contact opnemen met technische klantenservice van Hologic.
Low Vac Failed Use Alternative (uitval laag vacuüm; alternatief gebruiken)	3 alarmsignalen	Er moet een alternatieve bron voor laag vacuüm worden gebruikt om de ingreep voort te kunnen zetten. Contact opnemen met technische klantenservice van Hologic.
High Vac Failed Use Alternative (uitval hoog vacuüm; alternatief gebruiken)	3 alarmsignalen	Er moet een alternatieve bron voor hoog vacuüm worden gebruikt om de ingreep voort te kunnen zetten. Contact opnemen met technische klantenservice van Hologic.
Vac Systems Out Use Alternative (uitval vacuümsysteem; alternatief gebruiken)	3 alarmsignalen	Er moet een alternatieve vacuümbron worden gebruikt om de ingreep voort te kunnen zetten. Contact opnemen met technische klantenservice van Hologic.

10 Technische gegevens

Apparaattype of typeaanduiding	AQL-100		
Netspanningsbereik [V]	100-240 V		
Voedingsfrequentiebereik [Hz]	50-60 Hz		
Zekeringaanduiding	2 x T 3,15 AH, 250 V, UL-goedgekeurd		
Opgenomen vermogen	Stroom [A]	Spanning [V]	Opgenomen vermogen [VA/W]
Bovenste spanningsgrens			
	Normaal bedrijf	0,19 A	240 V 45 VA
	Piek	0,69 A	240 V 165 VA
Onderste spanningsgrens			
	Normaal bedrijf	0,52 A	100 V 52 VA
	Piek	1,70 A	100 V 170 VA
Beschermingsklasse (I, II, III)	I		
Toepassingsgedeelte type (B, BF, CF)	Ontworpen voor een systeem met BF-classificatie		
Defibrillatorbescherming (ja / nee)	Nee		
Beschermingsklasse (IP-code)	IP41 (pomp), IP21 (weegstelsel)		
Classificatie (I, IIa, IIb, III) volgens bijlage IX van de Europese Richtlijn Medische Hulpmiddelen	IIb		
Voldoet aan de volgende normen:	EN 60601-1:2006 / IEC 60601-1:2005 EN 60601-1-2:2007 / IEC 60601-1-2:2007		
Gebruiksomstandigheden	10 tot 40 °C / 50 tot 104 °F 30 tot 75 % rel. luchtvochtigheid 70 tot 106 kPa luchtdruk 3000 m maximale gebruikshoogte boven NAP		
Mogelijk gebruik in combinatie met brandbare narcosegassen	Dit systeem is niet bedoeld voor gebruik in combinatie met explosieve narcosegassen (klasse AP) of brandbare narcosegassen met oxiderende stoffen (klasse APG).		
Opslag- en transportomstandigheden	-20 tot +70 °C / -4 tot +158 °F 10 tot 90 % rel. luchtvochtigheid 70 tot 106 kPa luchtdruk		
Max. geluidsniveau	< 80 dB(a)		
Maximale belasting	30 kg (65 lbs)		
Instelbare waarden			
	Drukgebied [mmHg]	40-150 mmHg	
Meetgebied			
	Flow [ml/min]	0-800 ml/min	
	Druk [mmHg]	0-500 mmHg	
	Deficit [ml]	-995/+9.995	
Nauwkeurigheid, herhaalbaarheid			
	Flow [ml/min]	± 5 ml/min.	
	Druk [mmHg]	± 2 mmHg	
	Deficit [ml]	± 10 ml	
Afmetingen	Breedte x hoogte x diepte [mm]	300 mm x 140 mm x 300 mm (AQL-100P), 670 mm x 1320 mm x 670 mm (AQL-100CS)	
Gewicht [lbs], [kg]	13 lbs [5,8 kg] (AQL-100P), 23 lbs [10,5 kg] (AQL-100CS)		

NL

Technische gegevens

Nauwkeurigheid		
	Flow [% meetwaarden]	±7 %
	Druk [mmHg]	± 7,5 mmHg
	Deficit [% meetwaarden]	±10 %
Interfaces:		
	Signaal AAN/UIT voor componenten	1 x weegsystemaansluiting (geflensde bus/ronde aansluitbus met 5 pinnen/RS232) 1 x serviceaansluiting (RS232-bus DSUB9/RS232)
	Netsnoer	IEC-60320-1 C14

11 Instructies en verklaring van de fabrikant - Elektromagnetische compatibiliteit

11.1 Invloed van mobiele en draagbare HF-communicatiemiddelen

De emissie van hoogfrequente energie van mobiele communicatiemiddelen kan de werking van het medische elektrische apparaat beïnvloeden. Het gebruik van zulke apparaten (bijv. mobiele telefoons, GPS-telefoons) in de buurt van medische elektrische apparatuur is niet toegestaan.

11.2 Elektrische aansluitingen



Elektrische aansluitingen die zijn voorzien van dit waarschuwingsbord, mogen niet worden aangeraakt. Er mogen geen verbindingen tussen deze stekkers en bussen worden gemaakt zonder dat er ESD-veiligheidsmaatregelen getroffen zijn.

ESD-veiligheidsmaatregelen zijn:

- Aanleggen van de potentiaalvereffening (PE) aan alle aan te sluiten apparaten (voor zover aanwezig op uw apparatuur)
- Uitsluitend gebruik van de vermelde accessoires

Het personeel moet geïnformeerd resp. geschoold worden over de ESD-veiligheidsmaatregelen.

ESD-veiligheidsmaatregelen

11.3 Richtlijnen en verklaring van de fabrikant - Elektromagnetische emissies

Het Aquilex Fluid Control System is bedoeld voor gebruik in een zoals hieronder beschreven elektromagnetische omgeving. De gebruiker van het Aquilex Fluid Control System moet ervoor zorgen dat het apparaat in een dergelijke omgeving wordt ingezet.

Stooremissiemetingen	Overeenstemming	Elektromagnetische omgeving - leidraden
HF-emissie volgens CISPR11	Groep 1	Het Aquilex Fluid Control System gebruikt HF-energie uitsluitend voor de interne functies. Daarom is de HF-emissie zeer gering en is het onwaarschijnlijk dat elektronische apparatuur in de buurt gestoord wordt.
HF-emissie volgens CISPR11	Klasse B	Het Aquilex Fluid Control System is geschikt voor gebruik in alle omgevingen, inclusief woonruimtes en dergelijke, die rechtstreeks zijn aangesloten op een openbaar voedingsnet, dat ook gebouwen van stroom voorziet die voor woondoeleinden gebruikt worden.
Emissie van boventonen volgens IEC 61000-3-2	Klasse A	
Emissie van spanningschommelingen / flikkeringen volgens IEC 61000-3-3	Stemt overeen	


11.4 Richtlijnen en verklaring van de fabrikant - Elektromagnetische stoorbestendigheid

Het Aquilex Fluid Control System is bedoeld voor gebruik in een zoals hieronder beschreven elektromagnetische omgeving. De gebruiker van het Aquilex Fluid Control System moet ervoor zorgen dat het apparaat in een dergelijke omgeving wordt ingezet.

Stoorbestendigheidscenarios	Testniveau	Overeenstemming	Elektromagnetische omgeving - leidraden
Ontlading van statische elektriciteit (ESD) volgens IEC 61000-4-2	± 6 kV contactontlading ± 8 kV luchtontlading	Stemt overeen	Vloeren moeten van hout of beton of met keramische tegels bedekt zijn. Als de vloer bestaat uit synthetisch materiaal, dan moet de relatieve luchtvochtigheid ten minste 30% bedragen.
Snelle transiënte elektrische stoor-grootten / bursts volgens IEC 61000-4-4	± 2 kV voor net-leidingen, ± 1 kV voor ingangs- en uitgangsledin-gen	Stemt overeen	De kwaliteit van de voedingsspanning moet overeenstemmen met die van een typische bedrijfs- of ziekenhuisomgeving.
Stootspanningen (surges) volgens IEC 61000-4-5	± 1 kV balans-spanning, ± 2 kV sperspanning	Stemt overeen	De kwaliteit van de voedingsspanning moet overeenstemmen met die van een typische bedrijfs- of ziekenhuisomgeving.
Spanningsdoorbraken, kortstondige onderbrekingen en schommelingen van de voedingsspanning volgens IEC 61000-4-11	$< 5\% U_T^*$ ($> 95\%$ doorslag van de U_T) gedurende $\frac{1}{2}$ cyclus	Stemt overeen	De kwaliteit van de voedingsspanning moet overeenstemmen met die van een typische bedrijfs- of ziekenhuisomgeving. Als de gebruiker van het systeem ononderbroken werking noodzakelijk acht ook bij het optreden van onderbrekingen van de energievoorziening, dan wordt aanbevolen om het apparaat te voeden vanuit een onderbrekingsvrije stroomvoorziening.
	$40\% U_T$ (60% doorslag van de U_T) gedurende 5 cycli		
	$70\% U_T$ (30% doorslag van de U_T) gedurende 25 cycli		
	$< 5\% U_T$ ($> 95\%$ doorslag van de U_T) gedurende 5 cycli		
Magneetveld bij de voedingsfrequentie (50/60 Hz) volgens IEC 61000-4-8	3 A/m	Stemt overeen	Magneetvelden bij de netfrequentie moeten overeenstemmen met de typische waarden, zoals die worden aangetroffen in bedrijfs- en ziekenhuisomgevingen.

*Opmerking: U_T is de netwisselspanning vóór toepassing van het testniveau.

11.5 Richtlijnen en verklaring van de fabrikant - Elektromagnetische stoorbestendigheid

Stoorbestendigheidscenarios	Testniveau	Overeenstemming	Elektromagnetische omgeving - leidraden
Geleide HF-transiënte storingen volgens IEC 61000-4-6	3 V _{eff} 150 kHz tot 80 MHz	Stemt overeen	<p>Draagbare en mobiele draadloze apparatuur mag niet dichterbij het Aquilex Fluid Control System (inclusief kabels/leidingen) gebruikt worden dan de aanbevolen veiligheidsafstand, die wordt berekend aan de hand van de voor de zendfrequentie van toepassing zijnde vergelijking. Aanbevolen veiligheidsafstanden:</p> <p>$d = 1,2\sqrt{P}$ voor 150 KHz tot 80 MHz</p> <p>$d = 1,2\sqrt{P}$ voor 80 MHz tot 800 MHz</p> <p>$d = 2,3\sqrt{P}$ voor 800 MHz tot 2,5 GHz</p> <p>Met P als nominale capaciteit van de zender in watt [W] conform de informatie van de zenderfabrikant en d als aanbevolen veiligheidsafstand in meter [m].</p> <p>De veldsterkte van stationaire radiozenders moet bij alle frequenties volgens een onderzoek ter plaatse^a geringer zijn dan het op de standplaats gemeten overeenstemmingsniveau^b.</p> <p>In de omgeving van apparaten die het volgende symbool dragen, zijn storingen mogelijk.</p> 
Gestraalde HF-transiënte storingen volgens IEC 61000-4-3	3 V/m 80 MHz tot 2,5 GHz	Stemt overeen	

Opmerking 1: bij 80 MHz en 800 MHz geldt het hogere frequentiebereik.

Opmerking 2: het is mogelijk dat deze leidraden niet in alle gevallen van toepassing kunnen zijn. De verspreiding van elektromagnetische straling wordt beïnvloed door absorpties en reflecties van de gebouwen, voorwerpen en mensen.

^a De veldsterktes van stationaire zenders, zoals b.v. basisstations van draadloze telefoons en mobiele telefoons, amateurradiozenders, AM- en FM-radio- en televisiezenders kunnen theoretisch niet 100% voorspeld worden. Om de elektromagnetische omgeving ten aanzien van de stationaire zenders vast te stellen moet er een studie van de standplaats gemaakt worden. Als de gemeten veldsterkte op de standplaats waar het Aquilex Fluid Control System gebruikt wordt, het bovengenoemde overeenstemmingsniveau overschrijdt, dan moet het Aquilex Fluid Control System gemonitord worden om de doelmatige werking aan te tonen. Als er ongewone werkingen worden geconstateerd, dan kunnen extra maatregelen vereist zijn, zoals b.v. een andere oriëntatie of een andere stand-

NL

plaats van het Aquilex Fluid Control System.

^b Boven het frequentiebereik van 150 kHz tot 80 MHz moet de veldsterkte geringer dan 3 V/m zijn.

11.6 Aanbevolen veiligheidsafstanden tussen draagbare en mobiele HF-telecommunicatieapparatuur en het Aquilex Fluid Control System

Het Aquilex Fluid Control System is bedoeld voor gebruik in een elektromagnetische omgeving waarin de HF-stoorgrootten gecontroleerd zijn. De gebruiker van het Aquilex Fluid Control System kan helpen om elektromagnetische storingen te vermijden door de minimumafstand tussen draagbare en mobiele HF-telecommunicatieapparatuur (zenders) en het Aquilex Fluid Control System - afhankelijk van het uitgangsvermogen van het communicatieapparaat, zoals hieronder vermeld - aan te houden.

Nominaal vermogen van de zender [W]	Veiligheidsafstand afhankelijk van de zendfrequentie [m]		
	150 kHz tot 80 MHz $d = 1,2\sqrt{P}$	80 MHz tot 800 MHz $d = 1,2\sqrt{P}$	800 MHz tot 2,5 GHz $d = 2,3\sqrt{P}$
0,01	0,12	0,12	0,23
0,1	0,38	0,38	0,73
1	1,2	1,2	2,3
10	3,8	3,8	7,3
100	12	12	23

Voor zenders waarvan het maximale nominale vermogen niet is vermeld in de tabel hierboven, kan de aanbevolen veiligheidsafstand d in meter [m] vastgesteld worden met behulp van de vergelijking die bij de betreffende kolom hoort, waarbij P het maximale nominale vermogen van de zender in watt [W] volgens de informatie van de zenderfabrikant is.

Opmerking 1: bij 80 MHz en 800 MHz geldt het hogere frequentiebereik.

Opmerking 2: het is mogelijk dat deze leidraden niet in alle gevallen van toepassing kunnen zijn. De verspreiding van elektromagnetische straling wordt beïnvloed door absorpties en reflecties van de gebouwen, voorwerpen en mensen.



12 Lijst van accessoires

De volgende accessoires zijn beschikbaar:

Artikel	Bestelnummer
Aquilex Fluid Control System complete slangset (inflow en outflow)	AQL-112
Aquilex Fluid Control System slangset voor vacuüm (hoog en laag)	AQL-114
Aquilex Fluid Control System reservoiringen	AQL-200
Aquilex Fluid Control System MyoSure® netsnoer	AQL-213
Aquilex Fluid Control System netsnoer (VS)	AQL-215
Aquilex Fluid Control System netsnoer (UK)	AQL-216
Aquilex Fluid Control System netsnoer (EU)	AQL-217

13 Informatie over garantie

Hologic garandeert de oorspronkelijke koper dat het Aquilex Fluid Control System geen materiaal- en productiefouten bevat, mits het systeem conform het gebruiksdoel onder de gebruikelijke omstandigheden en met inachtneming van de gebruiks- en onderhoudsinstructies wordt gebruikt. Binnen het kader van deze garantie blijven de verplichtingen van Hologic beperkt tot gratis reparatie of gratis omruil, dit naar eigen beoordeling van Hologic, binnen een jaar na aankoopdatum. Als alternatief kan Hologic de oorspronkelijke koper schadeloosstellen door middel van een bedrag of tegoed, die overeenkomt met de aankoopprijs van het defecte systeem.

DEZE GARANTIE KOMT IN DE PLAATS VAN ELKE ANDERE, UITDRUKKELIJKE OF STILZWIJGENDE GARANTIE DAT HET PRODUCT GESCHIKT VOOR VERKOOP EN DEUGDELIJK VOOR GEBRUIK IS, EN VAN ALLE ANDERE VERPLICHTINGEN EN AANSPRAKELIJKHEDEN VAN DE KANT VAN HOLOGIC. DE TOTALE GARANTIEVERPLICHTING VAN HOLOGIC BLIJFT UITDRUKKELIJK BEPERKT TOT REPARATIE OF OMRUIL (NAAR EIGEN BEOORDELING VAN HOLOGIC EN IN DE OORSPRONKELIJK VERSTUURDE VORM) VAN HET APPARAAT RESP. VERBETERING VAN DE DIENSTVERLENING OF, NAAR HET EIGEN OORDEEL VAN HOLOGIC, SCHADELOOSSTELLING VAN DE KLANT DOOR TERUGBETALING OF CREDITERING VAN EEN BEDRAG,

OVEREENKOMEND MET DE PRIJS OF HET HONORARIUM VAN HOLOGIC HIERVOOR. DEZE BEPERKTE GARANTIE GELDT ALLEEN VOOR DE OORSPRONKELIJKE KOPER EN WORDT ZONDER UITZONDERING NIET UITGEBREID NAAR DERDEN, OOK NIET NAAR KLANTEN VAN DE KOPER. DEZE GARANTIE KOMT TE VERVALLEN ALS HET PRODUCT DOOR DE KOPER WORDT OVERGEDRAGEN AAN EEN ENTITEIT DIE MINDER DAN VIJFTIG (50) PROCENT EIGENDOM OP HET PRODUCT VERWERFT. DEZE GARANTIE GELDT NIET VOOR EEN AQUILEX SYSTEM OF EEN AQUILEX FLUID CONTROL SYSTEM DAT AAN ONGEVAL, NALATIGHEID, VERANDERINGEN OF MISBRUIK HEEFT BLOOTGESTAAN OF DOOR EEN NIET DOOR HOLOGIC GEAUTORISEERD PERSOON IS GEREPAREERD, VERPLAATST OF VERANDERD. HOLOGIC BIJDT GEEN GARANTIE OP ACCESSOIRES OF ONDERDELEN DIE IN COMBINATIE MET HET AQUILEX FLUID CONTROL SYSTEM ZIJN GEBRUIKT, MAAR NIET DOOR HOLOGIC ZIJN GELEVERD EN/OF GEFABRICEERD. MET DE TERM "OORSPRONKELIJKE KOPER" ZOALS BEDOELD IN DEZE GARANTIE WORDT BEDOELD DE PERSOON OF ORGANISATIE EN HAAR MEDEWERKERS, VOOR ZOVER VAN TOEPASSING, WAARAAN HET AQUILEX SYSTEM VAN HOLOGIC IS VERKOCHT.

Technische klantenservice en informatie over retournering

Als het Aquilex Fluid Control System niet naar behoren werkt, neem dan contact op met de technische klantenservice van Hologic. Als het apparaat om wat voor reden dan ook moet worden teruggestuurd naar Hologic, dan krijgt u van de technische klantenservice een RMA-nummer (Returned Materials Authorizati-on). Retourneer het Aquilex System volgens de instructies van de technische klantenservice. Let erop dat het Aquilex System vóór terugzending grondig wordt afgeveegd met een schone, vochtige doek en een desinfectans of isopropanol.

Hologic en haar distributeurs en klanten in de Europese Gemeenschap zijn gebonden aan WEEE-Richtlijn 2002/96/EC met betrekking tot afval afkomstig uit elektrische en elektronische apparatuur. Bovendien streeft Hologic ernaar de landspecifieke eisen aan milieuvriendelijke verwijdering van haar producten na te leven. Hologic heeft zichzelf ten doel gesteld het afval dat voortkomt uit de verwijdering van elektrische en elektronische apparatuur terug te dringen. Hologic is zich bewust van het nut dergelijke apparatuur te onderwerpen aan potentieel hergebruik, voorbereiding voor hergebruik, recycling of terugwinning om zo de hoeveelheid gevaarlijke stoffen die in het milieu terecht kunnen komen terug te dringen. De klanten van Hologic in de Europese Gemeenschap zijn ervoor verantwoordelijk dat medische apparatuur die gemarkeerd is met het volgende symbool (WEEE-Richtlijn moet worden toegepast), niet bij het huisvuil terecht komt, tenzij hiervoor door de plaatselijke autoriteiten een vergunning is afgegeven.



NL

Neem contact op met de technische klantenservice van Hologic om ervoor te zorgen dat het Aquilex System volgens de voorschriften in overeenstemming met de WEEE-Richtlijn wordt verwijderd.

Hologic technische klantenservice

VS en Canada:

Telefoon: 1.800.442.9892 (gratis binnen de VS) of
1.508.263.2900

Fax: 1.508.229.2795

EU-gevolmachtigde:

Telefoon: +32 2 255 17 74

14 Verklarende woordenlijst

Begrip	Verklaring
Embolie	Plotselinge afsluiting van een bloedvat door een embolus.
Flowrate	Hoeveelheid spoelvloeistof (in ml) die per minuut door de slangset stroomt (ook debiet genoemd)
Hypervolemie	Toename van het bloedvolume in de bloedsomloop
Hyponatriëmie	Lage natriumconcentratie (< 130 mmol/l) in het bloed van de patiënt
Hysteroscoop	Endoscoop om mee in de uterus te kijken
Intra-uteriene druk	Druk in het cavum uteri
Intravasatie	Binnendringen van vreemd materiaal in een bloedvat
Contaminatie	De verontreiniging van ruimtes, water, levensmiddelen, voorwerpen of personen door micro-organismen of door radioactieve stoffen, biologische gifstoffen of chemische stoffen
Contra-indicatie	Omstandigheden (bijv. leeftijd, zwangerschap, een bepaalde ziekte resp. behandeling met geneesmiddelen) die een – op zich noodzakelijke – maatregel verbieden (tegenovergestelde van een indicatie)
Fysiologische zoutoplossing	Isotone keukenzoutoplossing, d.w.z. één liter (l) bevat 9,0 gram (g) natriumchloride
TUR-syndroom	Transurethraal resectiesyndroom

Index**A**

Aansluiten op het stopcontact 12
Aardingscontact 12
Alleen voor de gebruiker in de VS 12
Amerikaanse federale wetgeving 4

B

Buitenverpakking openen 23

C

Capaciteit van het weegstelsel 16
Certificering 28
Contra-indicaties 5

D

Deficitverhoging > 300 ml/min 27
Doelmatig gebruik 4
Drukinstelling bij opnieuw inschakelen 27
Drukmeting en -regeling 11

E

Eerste keer inrichten van het systeem 12
Ernstige systeemfout 27
ESD-veiligheidsmaatregelen 39

G

Geautoriseerde servicetechnici 4

H

Herkenning van de slangset 19

P

Potentiaalvereffening 12
Precieze balancerings 16

S

Slangset plaatsen 24

T

Technische wijzigingen voorbehouden 3
Technisch toepassingsgebied 10
Tests bij de inspectie 30
Toepassingsgebied 5

U

Uitsluiting van aansprakelijkheid 4
Uitvoeren van de test van de flowrate 31

V

Veiligheidsdrempel 24
Verwijdering 4
Verzorging en onderhoud 4, 28
Vloeistofzakken aansluiten 24
Voorschrift van de fabrikant 30
Voorzorgsmaatregelen 12

W

Weegstelsel overbelast 27
Weegstelsel tijdens bedrijf be-/ontladen 27

