

Faxitron[®] Path+

Specimen Radiography System



Faxitron Path System also known as PathVision™ XL System.

Bigger is Better.

Optimised imaging of your largest specimens.

With a large field of view combined with one of the best-in-class resolution detectors, the Faxitron[®] Path+ system will help to deliver greater efficiency for the gross lab and more timely results for the patient.

The large 43 x 43cm CMOS detector accommodates a broad range of specimens without sacrificing the resolution (up to 50+lp/mm) required to identify small micro-calcifications.

The wide energy range from 20 - 100kV coupled with advanced Automatic Exposure Control allows the system to optimally image laboratory specimens from breast to bone, with a single click of the mouse.

Faxitron[®] Path+

Specimen Radiography System



High-resolution Imaging

Faxitron Path+ system's multiple levels of geometric magnification (up to 10X) allow you to image full-term foetuses down to the smallest microcalcifications.



Large Field of View

The system's large chamber and detector size accommodate a broad range of samples without sacrificing image quality. This allows the user to image intact mastectomies to femurs to full-term foetal remains, all directly in the lab.

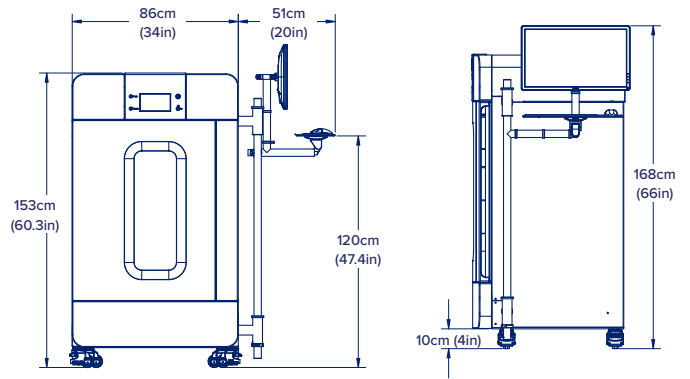


Easy to Use

Intuitive software is easily interfaced with PACS (if available) and multiple image file formats are available for a variety of digital pathology and information systems. No specialised X-ray training is required or needed.

Technical specifications

Electrical Requirements	
Input Line Voltage	100-240VAC
Peak Input Power	300W max
Frequency	50/60Hz
Line Connection	Standard line cord and plug - medical grade
Physical	
Construction	Fully integrated system with movable base casters
External Dimensions	137 x 81 x 168cm (54 x 32 x 66in) WxDxH
Chamber Dimensions	63 x 63 x 86cm (25 x 25 x 34in) WxDxH
Weight	635kg (1400lbs)
Digital Image Receptor	
Detector Technology	CMOS
X-ray Absorption Material	Micro-columnar CsI (Cesium Iodide)
Active Imaging Area Size	43 x 43cm (17 x 17in)
Pixel Size	100µm (18.7 million pixels)
Limiting Spatial Resolution	10µm at magnification (up to 50+ lp/mm)
Output Image	14-bit image data
Acquisition Workstation	
CPU	Intel® Core™ i5-8500 (6 Cores)
Memory	8GB RAM
Hard Disk	6.35cm (2.5in) 500GB 5400rpm SATA solid state hybrid drive
Storage Media Interface	Media interface 512GB solid state drive
Display Monitor	69cm (27in) Ultra HD 4K resolution monitor included
Operating System	Windows 10 (64 bit)
Network Connection	Integrated Intel I219-LM Ethernet LAN 10/100/1000
DICOM Services	Store, print, annotate and modality worklist capabilities
User Interface	Mouse and keyboard
Image Display	
Image Display	Optimised display of surgical and pathological specimens, preset and manual window/level, invert
Visualisation Enhancement	Optional visual enhancement
Magnification	1.5:1, 2:1, 3:1, 4:1, 5:1, 6:1, 8:1 and 10:1
Annotations	Ellipse, arrow, ruler, text box, comments
Multi-up	1, 2, 3 or 4 up display



X-ray Source	
Energy Range	20-100kV
Anode Material	Tungsten (W)
Tube Current	0.5mA max (limited to 12W)
Exposure	Up to 60mAs
Focal Spot Size	<15µm
X-ray Window	0.25mm (0.010in) Beryllium
Exposure Modes	
Manual	User selects time and kV
Auto	System determines optimum kV and mAs
Cabinet	
Safety Features	Physical key, door equipped with dual safety interlocks, fully shielded
Indicators	Power, door closed, ready, X-ray on, audible tone during X-rays
Emergency Stop	Available
Lighting	Integrated LED light inside chamber
Internal Digital Camera	Integrated optical camera
Radiation Emission Limits	Less than 0.1 mR/hr at 5cm (2in) from exterior surface at maximum kV

CE **EC REP** Hologic BV, Da Vincilaan 5, 1930 Zaventem, Belgium.

Breast & Skeletal Health | Hologic.com | euinfo@hologic.com

DS-10214-EUR-EN Rev. 002 © 2023 Hologic Inc. All rights reserved. Hologic, The Science of Sure, Faxitron, PathVision and associated logos are trademarks and/or registered trademarks of Hologic, Inc., and/or its subsidiaries in the United States and/or other countries. This information is intended for medical professionals and is not intended as a product solicitation or promotion where such activities are prohibited. Because Hologic materials are distributed through websites, eBroadcasts and tradeshows, it is not always possible to control where such materials appear. For specific information on what products are available for sale in a particular country, please contact your local Hologic representative or write to euinfo@hologic.com

Faxitron® Path+
Specimen Radiography System