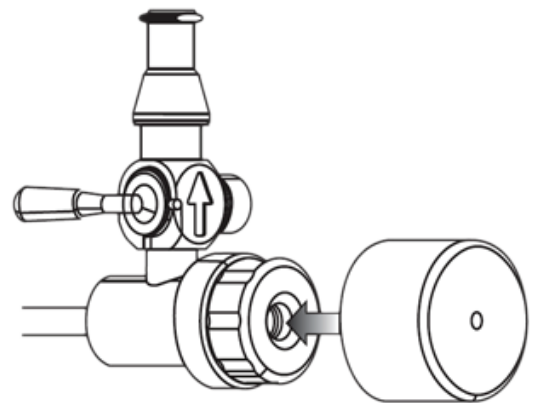
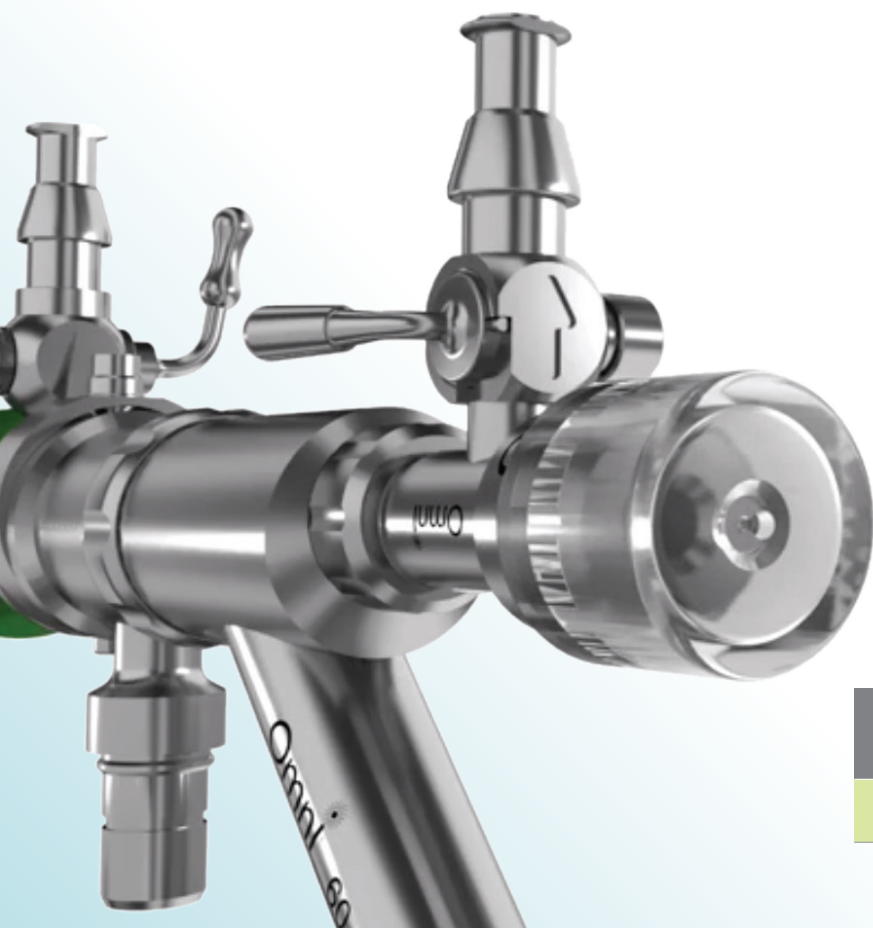


The new 5 Fr. Seal improves procedural experience

- Reduces leakage and backsplash by over 75%* when using 5 Fr. instruments
- Maintains continuous flow



Visit gynsurgicalsolutions.co.uk or contact your sales representative for more information about our products.

PRODUCT NUMBER	ITEM DESCRIPTION
60-5FR	Omni® 5 FR Seal Cap (box of 10)



Authorised representative: Hologic BV, Da Vincilaan 5, 1930 Zaventem, Belgium.

ADS-03268-GBR-EN Rev.002 Hologic Inc. ©2021 All rights reserved. Hologic, Omni and associated logos are trademarks and/or registered trademarks of Hologic, Inc., and/or its subsidiaries in the United States and/or other countries. This information is intended for medical professionals and is not intended as a product solicitation or promotion where such activities are prohibited. Because Hologic materials are distributed through websites, eBroadcasts and tradeshows, it is not always possible to control where such materials appear. For specific information on what products are available for sale in a particular country, please contact your local Hologic representative.

* Reference: Hologic Data on File. VER-10319; VER-10448.

