

# Brevera<sup>®</sup> Breast Biopsy System with CorLumina<sup>®</sup> Imaging Technology



The Hologic Brevera<sup>®</sup> breast biopsy system with CorLumina<sup>®</sup> imaging technology delivers a breakthrough in biopsy efficiency.

It's the world's first solution to combine vacuum-assisted tissue acquisition, real-time imaging,<sup>1</sup> verification and advanced post-biopsy handling – all in one, integrated system.

The Brevera system is designed to streamline the entire breast biopsy process from start to finish – with realtime imaging for instant verification and automated specimen handling.<sup>1</sup>

**Brevera<sup>®</sup>**  
Breast Biopsy System



### **Improve the patient experience.**

Fast, accurate and streamlined procedures mean less time under compression and can result in a more positive and compassionate biopsy experience for you and your patients.<sup>2</sup>



### **Enhance workflow.**

An intuitive user interface, real-time imaging, and automated specimen collection and separation work together to save facilities an average of 13 minutes per procedure.<sup>3</sup>



### **Increase accuracy.**

Real-time imaging delivers a wealth of information at the point of care – so you can make informed clinical decisions with confidence.<sup>1</sup>

# Technical Specifications

## Brevera 200 Console

Console dimensions	30.2x4.8x64.8in (76.6x63x164.7cm) WxDxH
Console weight	200lbs (90.7kg) nominal
Line current	5 Amps
Voltage range	220-240V
Operating frequency	50/60Hz
Power consumption	800W
Power cord length	20ft (6.1m)
Vacuum generated	26.5in Hg (66cm)
Cycle time	8 seconds for acquisition, imaging and verification

## Console Control Display

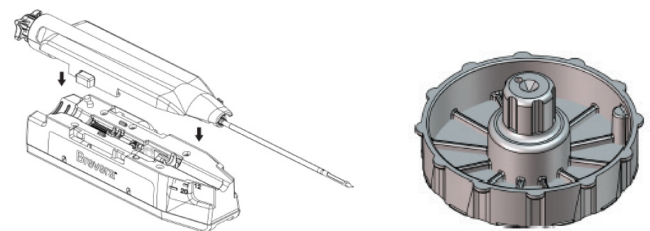
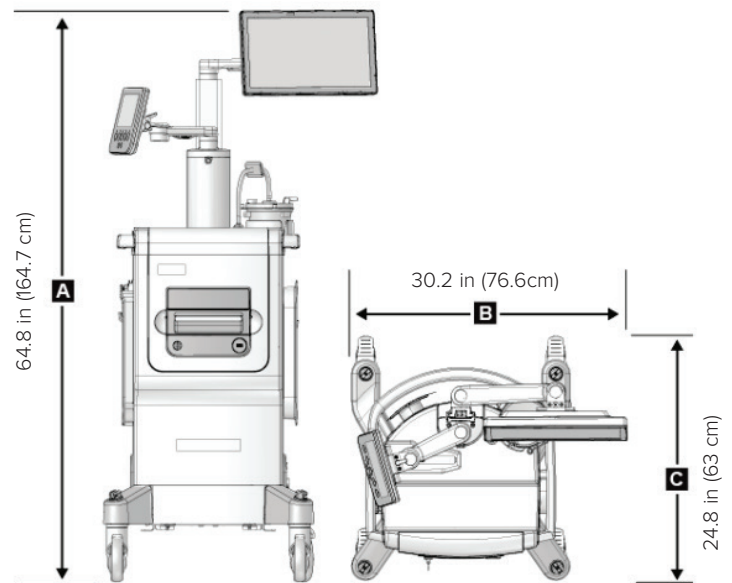
Display monitor	7 in (18 cm) LED display
Operating system	Embedded RTOS

## X-ray Source

Energy range	20-35 kV
Anode material	Tungsten (W)
Tube current	1 mA
Exposure	10 mAs maximum
Focal spot size	50 µm
Filtration	125 µm beryllium
Pixel size and output image	20 µm 12bit
Active imaging area	1.3x0.98in (3.3x2.5cm)

## Acquisition Workstation/Specimen Imaging Display

CPU	Multi-core Intel
Memory	4GB RAM
Solid state disk	500GB (approx. 10,000 patient files)
Storage media	External USB flash drive
Display monitor	15in (38.1cm) WXGA (1366x768) color LCD display, touchscreen
Operating system	Windows 10 IoT Enterprise 2019 LTSC
Network connection	100, 1000-Base-T; wireless 802.11 b/g/n/ac
DICOM services	Worklist, print, storage
User interface	On screen keyboard
Visualization enhancement	5 levels of image sharpening
Magnification	Continuous image zoom .075X-20X



## Cabinet

X-ray features	Drawer interlock, key switch, fully shielded
Indicators	Power, door closed, ready, X-ray on

## Biopsy Device Components

Reusable driver dimensions	2.2x7.7x1.6in (5.6x19.6x4cm) WxLxH
Reusable driver weight	34oz (950g) with remote
Biopsy Needle	2.2x8.8x1.2in (5.6x2.4x3cm) WxDxH
Biopsy needle weight with tubing set	9.5oz (269.3g) nominal
Tissue filter diameter	2.41in (6.1cm)
Disposable needle specifications BREVDISP09	9G, 13cm L 20mm or 12mm Aperture

**Brevera**<sup>®</sup>  
Breast Biopsy System

Breast & Skeletal Health | [Hologic.com](http://Hologic.com) | [euinfo@hologic.com](mailto:euinfo@hologic.com)



Hologic BV, Da Vincilaan 5, 1930 Zaventem, Belgium.

### References

1. Hologic data on file, VAR-05326 real time imaging DRD658. 2. Kadence Foundational research for breast imaging and biopsy 319 respondents \* Reduce procedure time by up to 25% or more – Per Kadence study, total biopsy process is 37 minutes, combining/eliminating steps (Verifying Core Sample step & Preparing Samples for Pathology step (5 minutes each) are combined with the Extracting Core Samples step) saving 10 minutes to give a 27% reduction in time. 3. Inspired Insight online survey, April 2019 with 49 Brevera® users.

DS-10225-EUR-EN Rev 001 ©2023 Hologic Inc. All rights reserved. Hologic, The Science of Sure, Brevera and associated logos are trademarks and/or registered trademarks of Hologic, Inc., and/or its subsidiaries in the United States and/or other countries. This information is intended for medical professionals and is not intended as a product solicitation or promotion where such activities are prohibited. Because Hologic materials are distributed through websites, eBroadcasts and tradeshows, it is not always possible to control where such materials appear. For specific information on what products are available for sale in a particular country, please contact your local Hologic representative or write to [euinfo@hologic.com](mailto:euinfo@hologic.com).