

Hologic's Omni® Hysteroscope Suite

## 0° or 30° - It's Your Choice.

Optimising diagnostic and operative hysteroscopy. One versatile hysteroscope which is fully compatible with the MyoSure® Tissue Removal System.

**Omni Hysteroscope Suite –  
Enabling Progression.**

[Get Started](#)



## Our Hysteroscopy Portfolio



Omni® Hysteroscope Suite

[Discover More](#)



Omni™ Lok Cervical Seal

[Discover More](#)



Omni® 5 Fr. Seal

[Discover More](#)



Fluent® Fluid Management System

[Discover More](#)



MyoSure® Tissue Removal System

[Discover More](#)

# The Omni® Hysteroscope Suite in 0° and 30°

Our Hysteroscopy Portfolio

Omni® Hysteroscope Suite in 0° and 30°

Omni™ Lok Cervical Seal

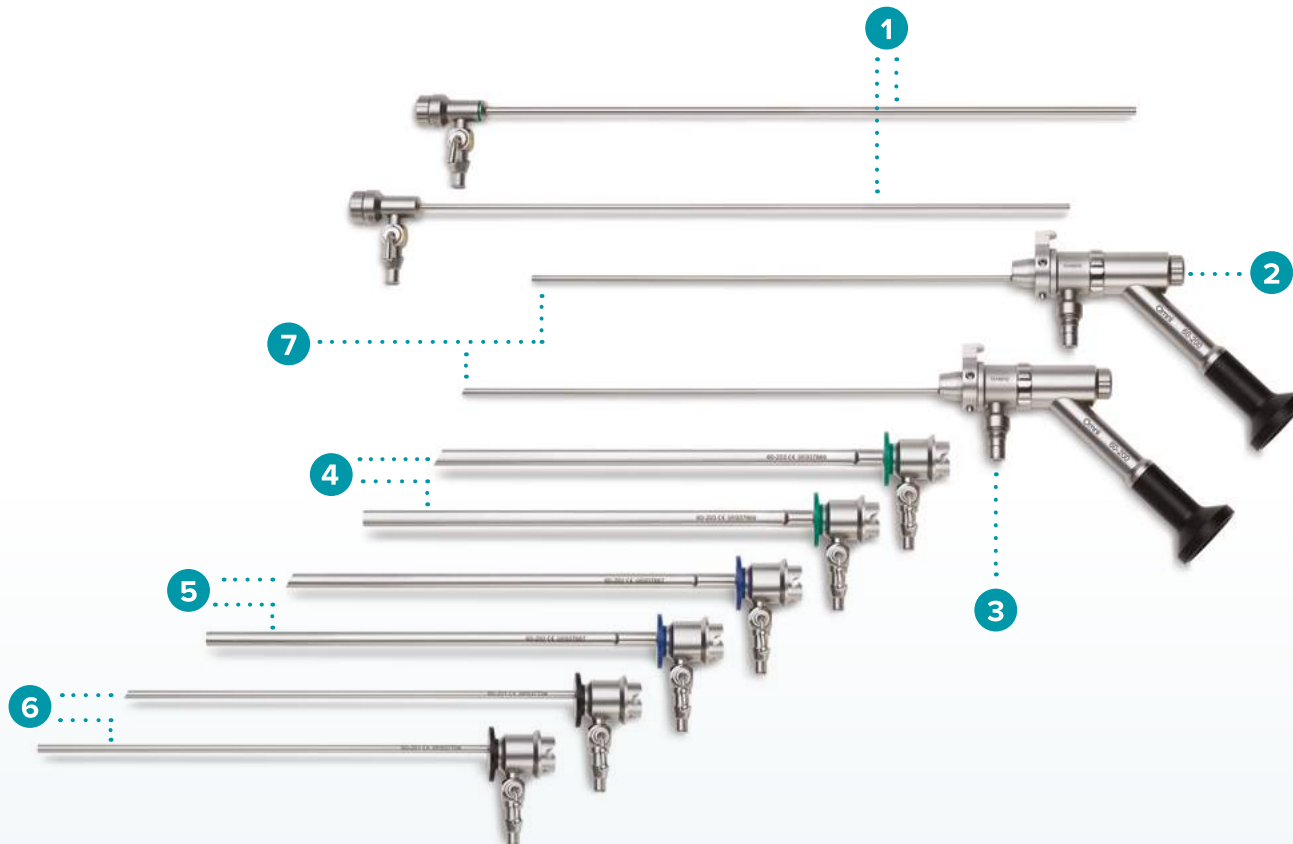
Omni® 5 Fr. Seal

Fluent® Fluid Management System

MyoSure® Tissue Removal System

Ordering Information

Contact & References



- 1. Continuous flow with removable outflow channel
- 2. Seal design that helps prevent fluid splash
- 3. Flexibility to support multiple light source attachments
- 4. Operative sheath with 6.0 mm outer diameter
- 5. Operative sheath with 5.5 mm outer diameter
- 6. Diagnostic sheath with 3.7 mm outer diameter
- 7. 0° and 30° angle each with 80° field of view for a wide view of the uterine cavity



Hologic's Omni Hysteroscope Suite in 0° and 30°

Why Choose the Omni Hysteroscope Suite?

The Omni Hysteroscope Instrument Tray

Omni Hysteroscope Spare Parts

# Why Choose the Omni<sup>®</sup> Hysteroscope Suite?

Our Hysteroscopy Portfolio

Omni<sup>®</sup> Hysteroscope Suite  
in 0° and 30°

Omni<sup>™</sup> Lok Cervical Seal

Omni<sup>®</sup> 5 Fr. Seal

Fluent<sup>®</sup> Fluid  
Management System

MyoSure<sup>®</sup> Tissue  
Removal System

Ordering Information

Contact & References



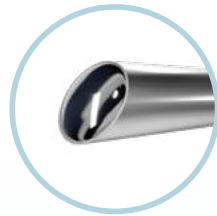
### 3 in 1 Omni Hysteroscope

Convenience to see and treat pathology with a single hysteroscope



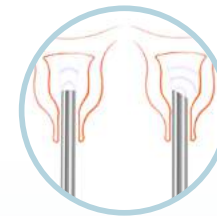
### Long working length

Facilitates easier access and treatment for larger patients with 200mm working length



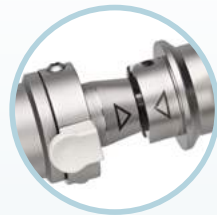
### Rod lens

Quality visualisation throughout procedures



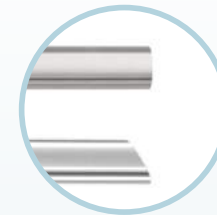
### 0° and 30° angle

Designed for the MyoSure<sup>®</sup> Tissue Removal System as well as for diagnostic and operative procedures



### Secure sheath

Sheath fits securely into the Omni Hysteroscope using the alignment guide



### Straight and beveled tip

The 30° Omni Hysteroscope has a beveled tip for easy insertion



### Small oval diameter

Easier insertion and greater patient comfort



# The Omni® Hysteroscope Instrument Tray

Our Hysteroscopy Portfolio

Omni® Hysteroscope Suite  
in 0° and 30°

Omni™ Lok Cervical Seal

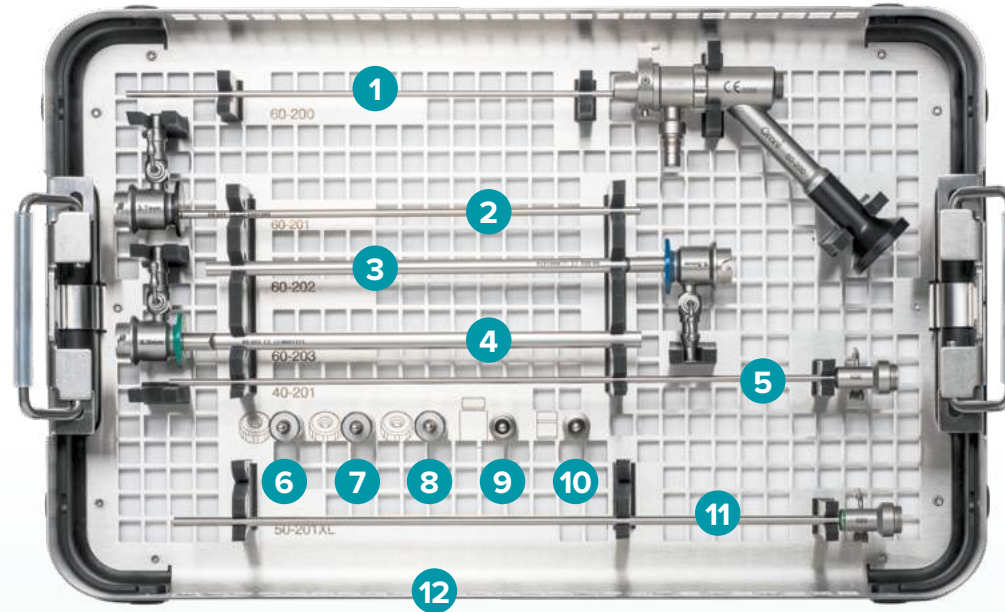
Omni® 5 Fr. Seal

Fluent® Fluid  
Management System

MyoSure® Tissue  
Removal System

Ordering Information

Contact & References



- |   |  |
|---|--|
| <ol style="list-style-type: none"> <li>1. Omni Hysteroscope</li> <li>2. Omni Hysteroscope 3.7mm Diagnostic Sheath</li> <li>3. Omni Hysteroscope 5.5mm Operative Sheath</li> <li>4. Omni Hysteroscope 6.0mm Operative Sheath</li> <li>5. MyoSure® Tissue Removal System Rod Lens Hysteroscope Removable Outflow Channel</li> </ol> | <ol style="list-style-type: none"> <li>6-8. 40-904 End Cap x3</li> <li>9. 40-901 Wolf Light Guide Adapter</li> <li>10. 40-900 Storz Light Guide Adapter</li> <li>11. MyoSure Tissue Removal System XL Rod Lens Hysteroscope Removable Outflow Channel</li> <li>12. Omni Hysteroscope Instrument Tray with Lid</li> </ol> |
|---|--|

Hologic's Omni Hysteroscope Suite in 0° and 30°

Why Choose the Omni Hysteroscope Suite?

The Omni Hysteroscope Instrument Tray

Omni Hysteroscope Spare Parts



# Omni<sup>®</sup> Hysteroscope Spare Parts

Our Hysteroscopy Portfolio

Omni<sup>®</sup> Hysteroscope Suite  
in 0° and 30°

Omni<sup>™</sup> Lok Cervical Seal

Omni<sup>®</sup> 5 Fr. Seal

Fluent<sup>®</sup> Fluid  
Management System

MyoSure<sup>®</sup> Tissue  
Removal System

Ordering Information

Contact & References



### Seal Cap

Compatible with both the MyoSure<sup>®</sup> and Omni Hysteroscopes



### Stopcock Nut

- Kit 40-911 compatible with the MyoSure Hysteroscope
- Kit 60-911 compatible with Omni Hysteroscopes



### Stopcock Handle

- Kit 40-911 compatible with the MyoSure Hysteroscope
- Kit 60-911 compatible with Omni Hysteroscopes



### Grease

Compatible with both the MyoSure and Omni Hysteroscopes



Hologic's Omni Hysteroscope Suite in 0° and 30°

Why Choose the Omni Hysteroscope Suite?

The Omni Hysteroscope Instrument Tray

**Omni Hysteroscope Spare Parts**

## Our Hysteroscopy Portfolio

Omni® Hysteroscope Suite  
in 0° and 30°

Omni™ Lok Cervical Seal

Omni® 5 Fr. Seal

Fluent® Fluid  
Management System

MyoSure® Tissue  
Removal System

Ordering Information

Contact & References

## Omni™ Lok

### Set, Seal, See & Treat

Omni Lok Cervical Seal is designed to improve procedural efficiency and help maintain distention by reducing fluid leakage<sup>1,2,3</sup>



On average **94% reduction** in fluid leakage<sup>1,4</sup>



Designed to help maintain distention by **minimising cervical leakage**<sup>1,3</sup>



Designed to **reduce clean-up and OR turnover time**<sup>1,2</sup>



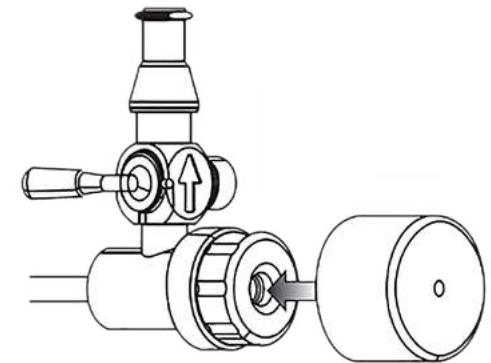
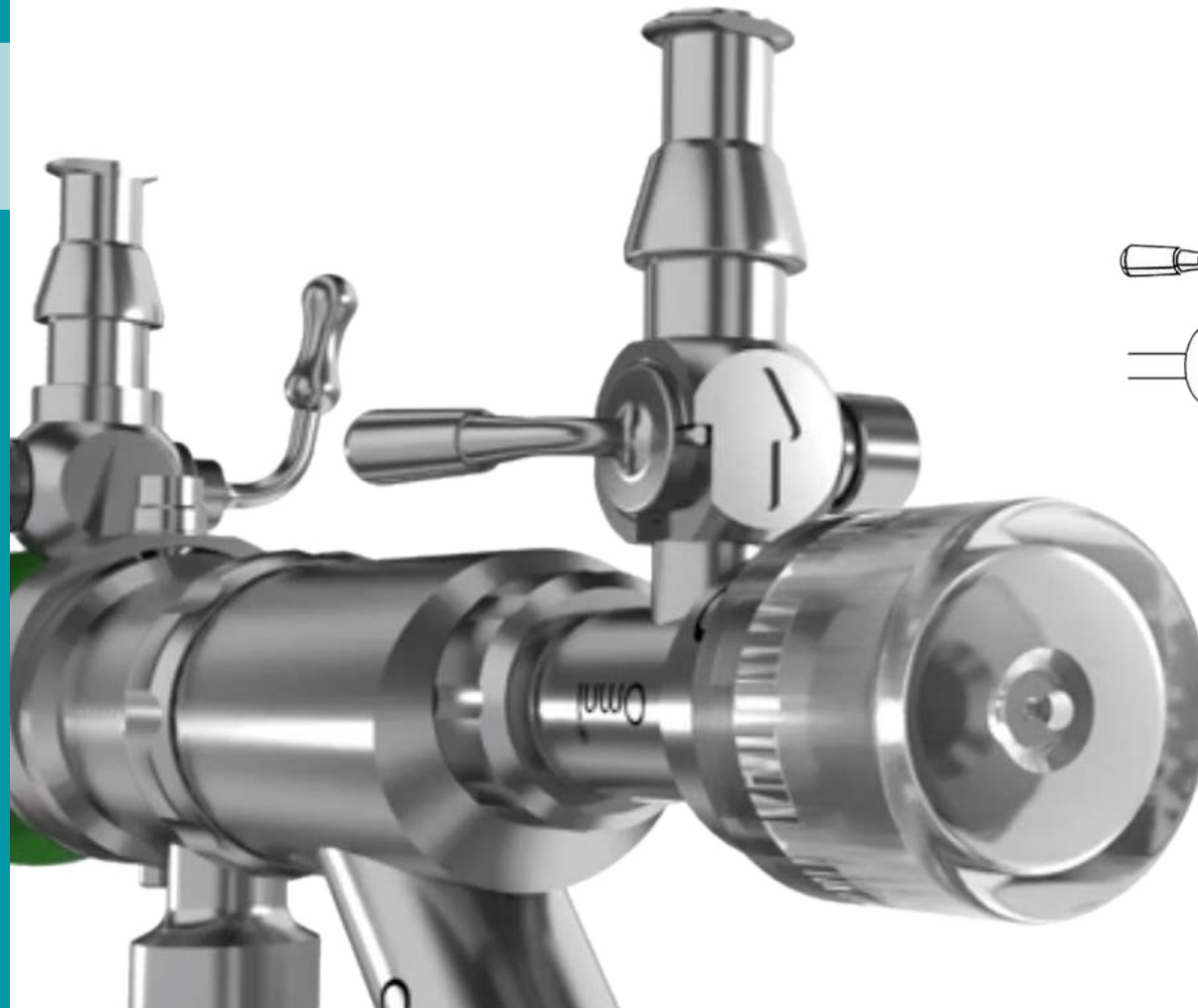


# Omni® 5 Fr. Seal Improves Procedural Experience

**Optimised.** A better seal for the Omni 5 Fr. tools.

**Reduced leakage and backsplash by over 75%<sup>5</sup> when using 5 Fr. instruments.**

Enables a wider use of the Omni Hysteroscope Suite.



Our Hysteroscopy Portfolio

Omni® Hysteroscope Suite  
in 0° and 30°

Omni™ Lok Cervical Seal

Omni® 5 Fr. Seal

Fluent® Fluid  
Management System

MyoSure® Tissue  
Removal System

Ordering Information

Contact & References



# Fluent® Fluid Management System

## A Game Changer in Fluid Management

Enhanced control & efficiency for better patient care\*

- Simplified setup and operation
- Advanced technology designed to increase clinical confidence
- Streamlined workflow for the entire team



\*As compared to conventional fluid management systems currently on the market.

Our Hysteroscopy Portfolio

Omni® Hysteroscope Suite  
in 0° and 30°

Omni™ Lok Cervical Seal

Omni® 5 Fr. Seal

Fluent® Fluid  
Management System

MyoSure® Tissue  
Removal System

Ordering Information

Contact & References

FLUENT®

# MyoSure® Tissue Removal System Solutions for a Wide Range of Pathology

The MyoSure tissue removal procedure is a hysteroscopic treatment that removes tissue, including fibroids and polyps.



MyoSure  
**MANUAL**  
device

DIRECTED BIOPSY  
POLYPS ≤ 1 CM



MyoSure  
**LITE**  
device

DIRECTED BIOPSY  
POLYPS ≤ 3 CM



MyoSure  
**REACH**  
device

FIBROIDS ≤ 3 CM  
ALL POLYPS



MyoSure  
**XL**  
device

FIBROIDS ≤ 5 CM  
ALL POLYPS



Our Hysteroscopy Portfolio

Omni® Hysteroscope Suite  
in 0° and 30°

Omni™ Lok Cervical Seal

Omni® 5 Fr. Seal

Fluent® Fluid  
Management System

MyoSure® Tissue  
Removal System

Ordering Information

Contact & References

# Ordering Information

Hysteroscope specifications: 3.7, 5.5, and 6.0mm outer diameters, 200mm working length

## Omni® 30° Hysteroscope

PRODUCT NUMBER	ITEM DESCRIPTION
60-250-30-1	Omni 30° Standard Kit
60-250-30-2	Omni 30° Light Kit
60-200-30	Omni 30° Hysteroscope
60-201-30	Omni 30° 3.7mm Diagnostic Sheath
60-202-30	Omni 30° 5.5mm Operative Sheath
60-203-30	Omni 30° 6.0mm Operative Sheath
40-201-30	Omni 30° Rod Lens Hysteroscope Outflow Channel
50-201XL-30	Omni 30° XL Rod Lens Hysteroscope Outflow Channel

## MyoSure Tissue Removal Device

PRODUCT NUMBER	ITEM DESCRIPTION
20-403ML	MyoSure MANUAL Tissue Removal Device (3-Pack)
30-403LITE	MyoSure LITE Tissue Removal Device (3-Pack)
10-403FC	MyoSure REACH Tissue Removal Device (3-Pack)
50-503XL	MyoSure XL Tissue Removal Device (3-Pack)
50-603XL	MyoSure for Fluent XL Tissue Removal Device (3-Pack)
10-550	MyoSure Control Unit
40-902	Single-use Seal Set, Hysteroscope and Outflow Channel (10-pack)

## Omni 0° Hysteroscope

PRODUCT NUMBER	ITEM DESCRIPTION
60-250-1	Omni Hysteroscope Standard Kit
60-250-2	Omni Hysteroscope Light Kit
60-200	Omni Base Hysteroscope
60-201	Omni Diagnostic Sheath (3.7mm)
60-202	Omni Operative Sheath (5.5mm)
60-203	Omni Operative Sheath (6.0mm)
40-201	MyoSure® Rod Lens Hysteroscope Outflow Channel
50-201XL	MyoSure XL Rod Lens Hysteroscope Outflow Channel

## Accessories & Spare Parts

PRODUCT NUMBER	ITEM DESCRIPTION
60-903	Omni Hysteroscope Tray
OLK-100	Omni Lok Cervical Seal
60-911	Omni Hysteroscope Spare Parts
40-911	MyoSure Hysteroscope Outflow Channel Spare Parts Kit
60-5FR	Omni 5FR Seal Cap
40-902	Hysteroscope Seal
ASY-04996	Hysteroscope Light Adapters

## Fluent® Fluid Management System

PRODUCT NUMBER	ITEM DESCRIPTION
FLT-100	Fluent System
FLT-006	Fluent Waste Bag (5-Pack)
FLT-112	Fluent Disposable Pack (6-Pack)
FLT-010	Fluent Disposable Tissue Sock (10-Pack)

Our Hysteroscopy Portfolio

Omni® Hysteroscope Suite  
in 0° and 30°

Omni™ Lok Cervical Seal

Omni® 5 Fr. Seal

Fluent® Fluid  
Management System

MyoSure® Tissue  
Removal System

Ordering Information

Contact & References

## Our Hysteroscopy Portfolio

Omni<sup>®</sup> Hysteroscope Suite  
in 0° and 30°

Omni<sup>™</sup> Lok Cervical Seal

Omni<sup>®</sup> 5 Fr. Seal

Fluent<sup>®</sup> Fluid  
Management System

MyoSure<sup>®</sup> Tissue  
Removal System

## Ordering Information

## Contact & References

For more information visit  
**[www.gynsurgicalsolutions.co.uk](http://www.gynsurgicalsolutions.co.uk)**  
or contact your local sales rep.

**DISCOVER MORE**

Name:

Email:

Phone Number:

**GYN Surgical Solutions | [Hologic.com](http://Hologic.com) | [euinfo@hologic.com](mailto:euinfo@hologic.com)**

**References:** **1.** As compared to procedures completed without the Omni Lok cervical seal. **2.** Hologic Data on file. VAR-08420.  
**3.** Hologic Data on file, DHM-07810 **4.** Hologic Data on file, VER-09159. **5.** Hologic Data on file. VER-10319.

PRE-01514-EUR-EN Rev.001 Hologic, Inc. ©2021 All rights reserved. Hologic, Fluent, MyoSure, Omni, Omni Lok and associated logos are trademarks and/or registered trademarks of Hologic, Inc., and/or its subsidiaries in the United States and/or other countries. This information is intended for medical professionals and is not intended as a product solicitation or promotion where such activities are prohibited. Because Hologic materials are distributed through websites, eBroadcasts and tradeshows, it is not always possible to control where such materials appear. For specific information on what products are available for sale in a particular country, please contact your local Hologic representative or write to [euinfo@hologic.com](mailto:euinfo@hologic.com).